

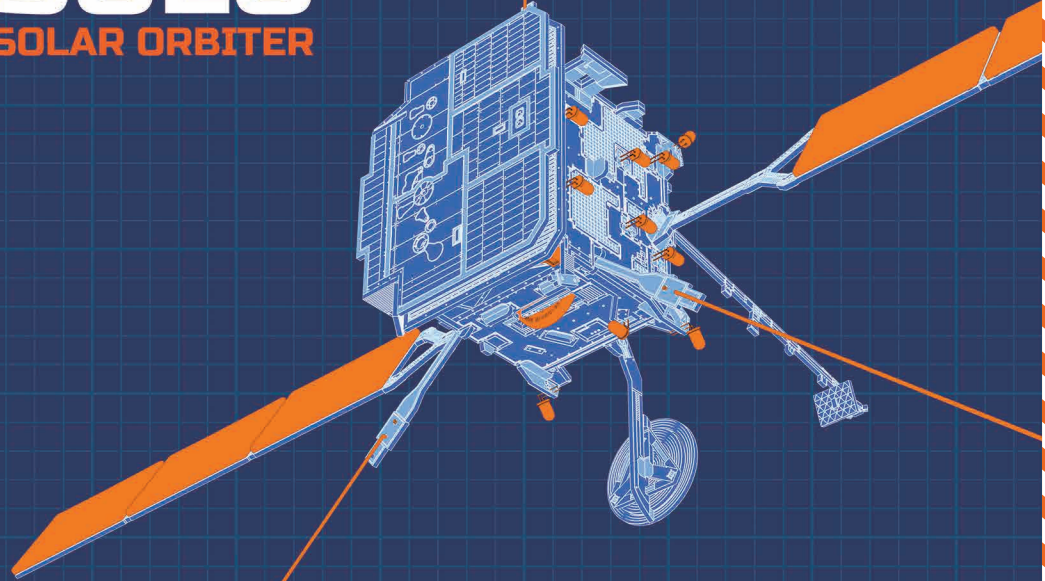
KEEP SAFE ▶



INSTRUCTION MANUAL

SOLO

SOLAR ORBITER



READ BEFORE FLIGHT



VIDEO INSTRUCTIONS



GEEKCLUB.COM



**SMALL
COMPONENTS**



**CLIPPING
ELEMENTS**

RoHS

CERTIFIED



**ADULT
SUPERVISION**



**CHOKING
HAZARD**



LEAD FREE



**THIS
MIGHT HELP**



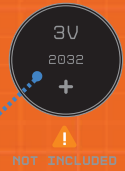
FUN PCB



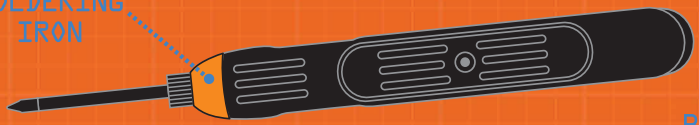
**USING GLASSES
WHEN SOLDERING**

**ASSEMBLE AND SOLDER THIS KIT
IN A WELL-VENTILATED AREA**

TOOLS YOU NEED

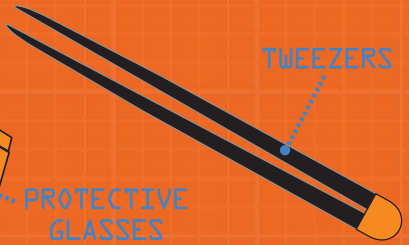


SOLDERING IRON

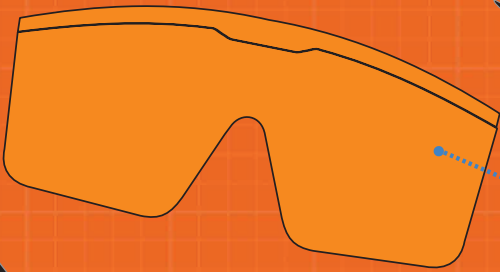


BATTERY

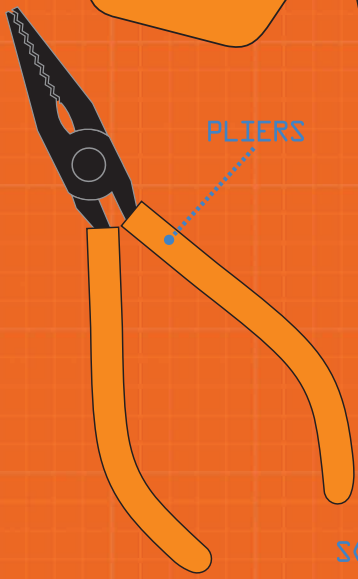
TWEEZERS



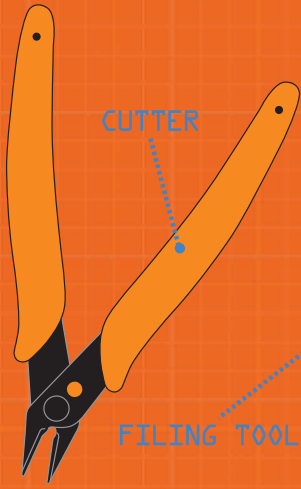
PROTECTIVE GLASSES



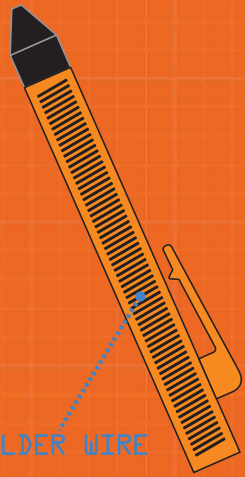
PLIERS



CUTTER



SOLDER WIRE

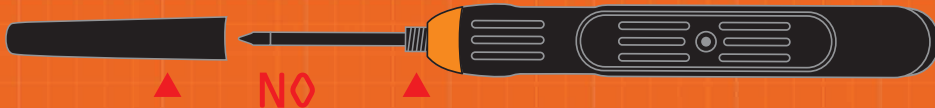
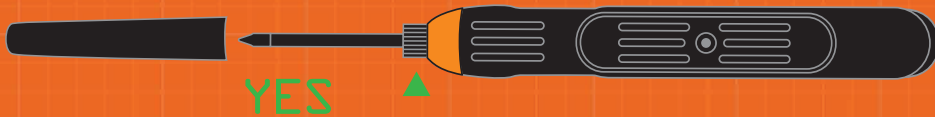
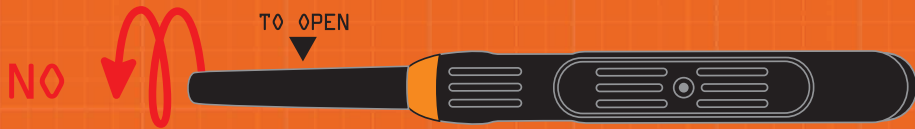


FILING TOOL

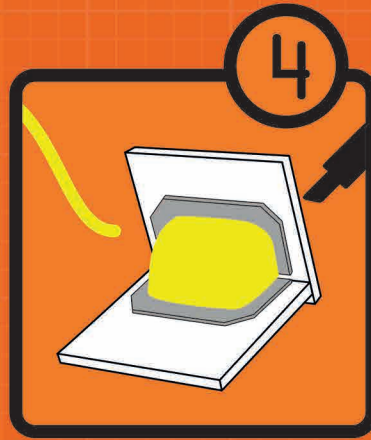
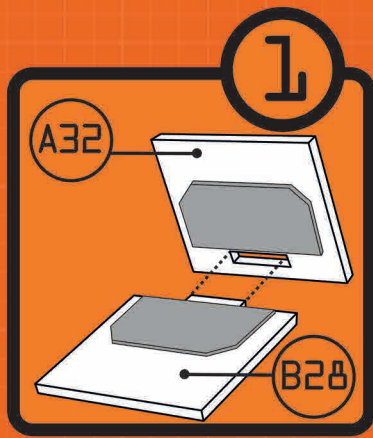


READ BEFORE FLIGHT

KEEP SAFE



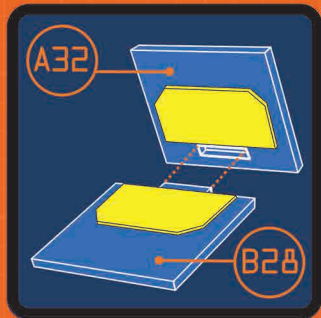
KEEP SAFE



NOTE:
FOR BEST QUALITY JOINTS, HEAT BOTH METAL PARTS WITH THE SOLDERING IRON IN QUICK SUCCESSION. ADD SOLDER BETWEEN THE METAL PARTS, DO NOT USE SOLDER ON THE ENTIRE PAD.

HOW TO READ THE INSTRUCTIONS_

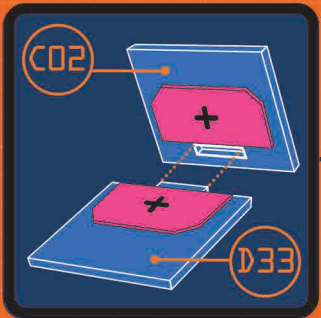
READ BEFORE FLIGHT



YELLOW PADS



SOLDER YELLOW ELEMENTS TOGETHER



PINK PADS



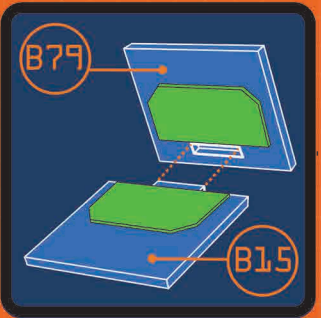
SOLDER PINK ELEMENTS MARKED WITH + TOGETHER



OPTIONAL SOLDERING YOU CAN SOLDER THE LED PINS FOR EXTRA GRIP



SOLDER + WITH + AND - WITH -



GREEN PADS



SOLDER PINK ELEMENTS MARKED WITH - TOGETHER



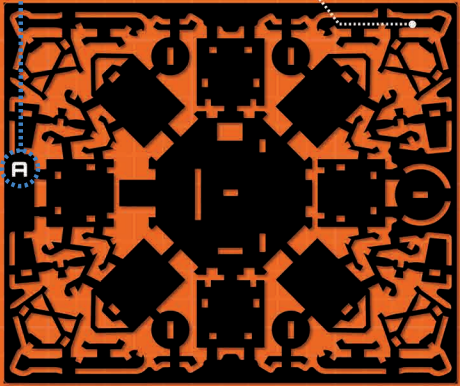
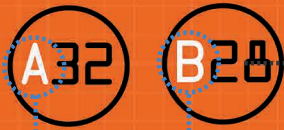
OPTIONAL SOLDERING YOU CAN SOLDER THE LED PINS FOR EXTRA GRIP

KEEP SAFE ▶

EACH PART IS MARKED WITH A LETTER AND NUMBER

THIS CODE INDICATES THE PART'S LOCATION

THE LETTER CORRESPONDS TO THE BOARD. THE NUMBER SHOWS ITS LOCATION ON SAID BOARD

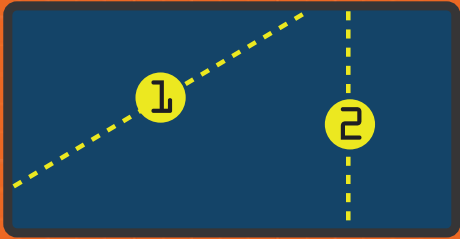


BOARD A



BOARD B

READ BEFORE FLIGHT



KEEP SAFE ▶

READ BEFORE FLIGHT

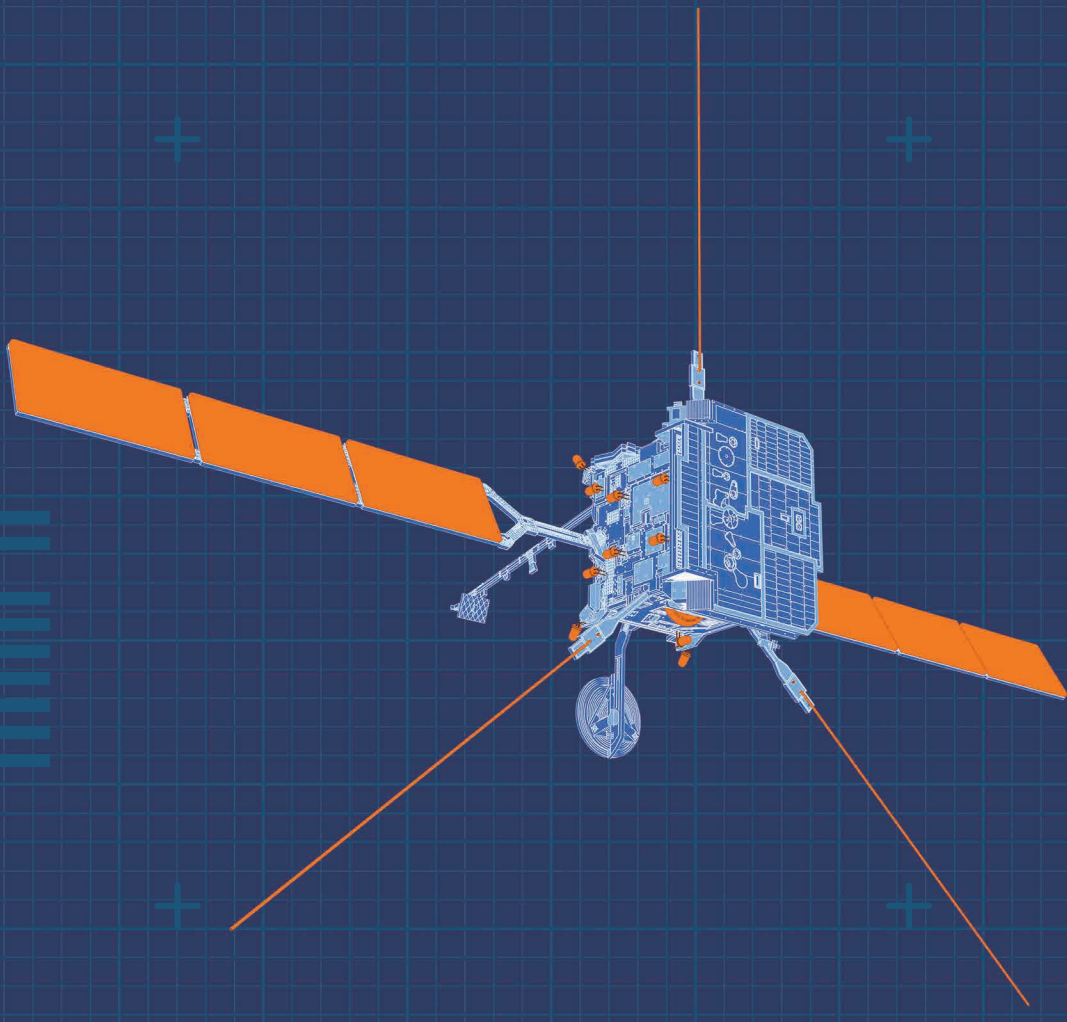
Solo SOLAR ORBITER

KEEP SAFE ◀



KEEP SAFE ◀

▶ KEEP SAFE



READ BEFORE FLIGHT

▶ KEEP SAFE



**MORE TIPS AND DETAILS
IN OUR ONLINE
INSTRUCTION VIDEO**

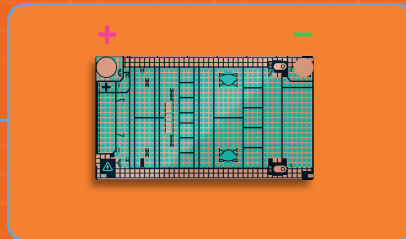
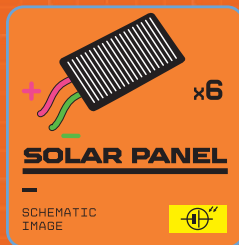
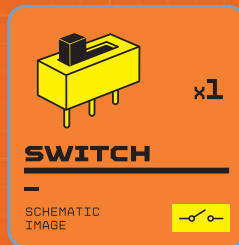


WWW.GEEKCLUB.COM



READ BEFORE FLIGHT

COMPONENTS AND OTHER ELEMENTS_



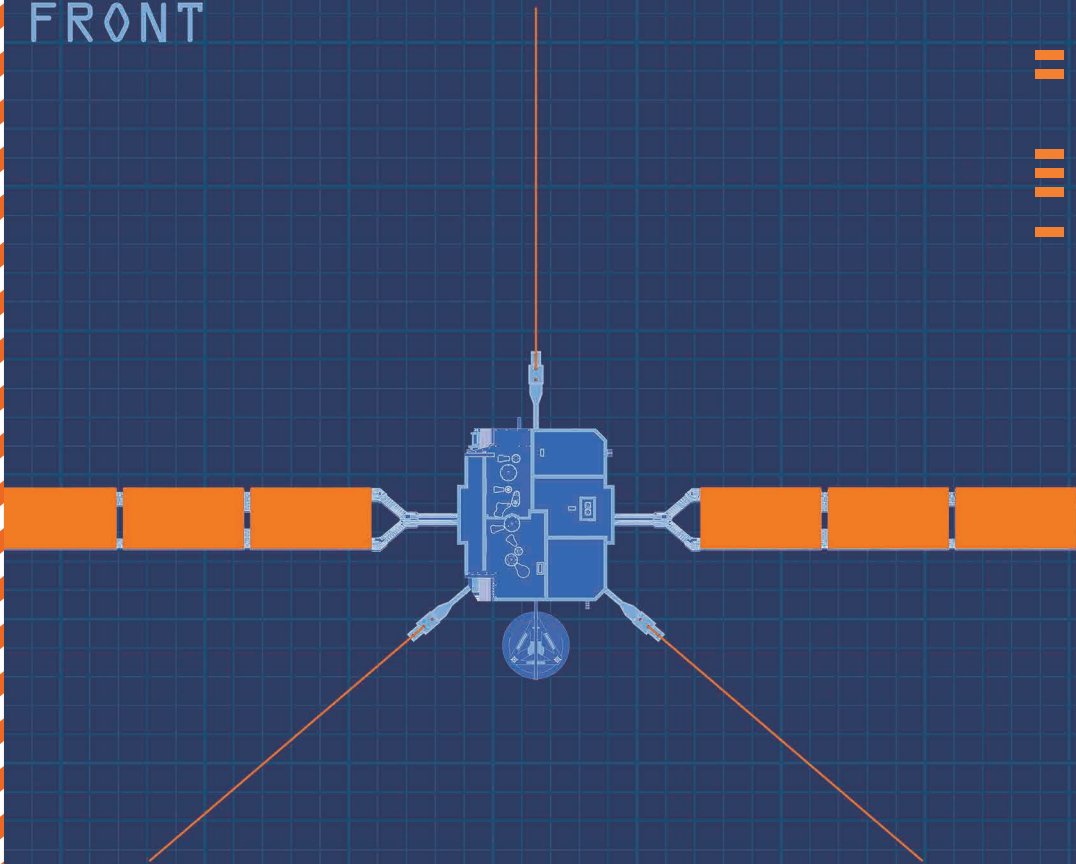
NOTE:

1. DON'T WORRY IF YOU LOSE A FEW LEDS, WE'VE GOT YOU COVERED - THERE ARE EXTRA DIODES IN THE KIT
2. MAKE SURE TO FOLLOW THE POLARITY + (PINK) AND - (GREEN) WHEN INSTALLING COMPONENTS. OTHERWISE, YOUR MODEL WILL NOT WORK.

KEEP SAFE ◀

FRONT

READ BEFORE FLIGHT



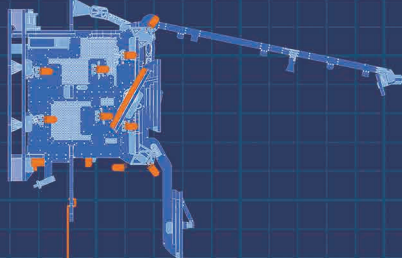
18.7"
475 MM

KEEP SAFE ◀

KEEP SAFE ▶

RIGHT

14.2"
360 MM



6.8"
175 MM

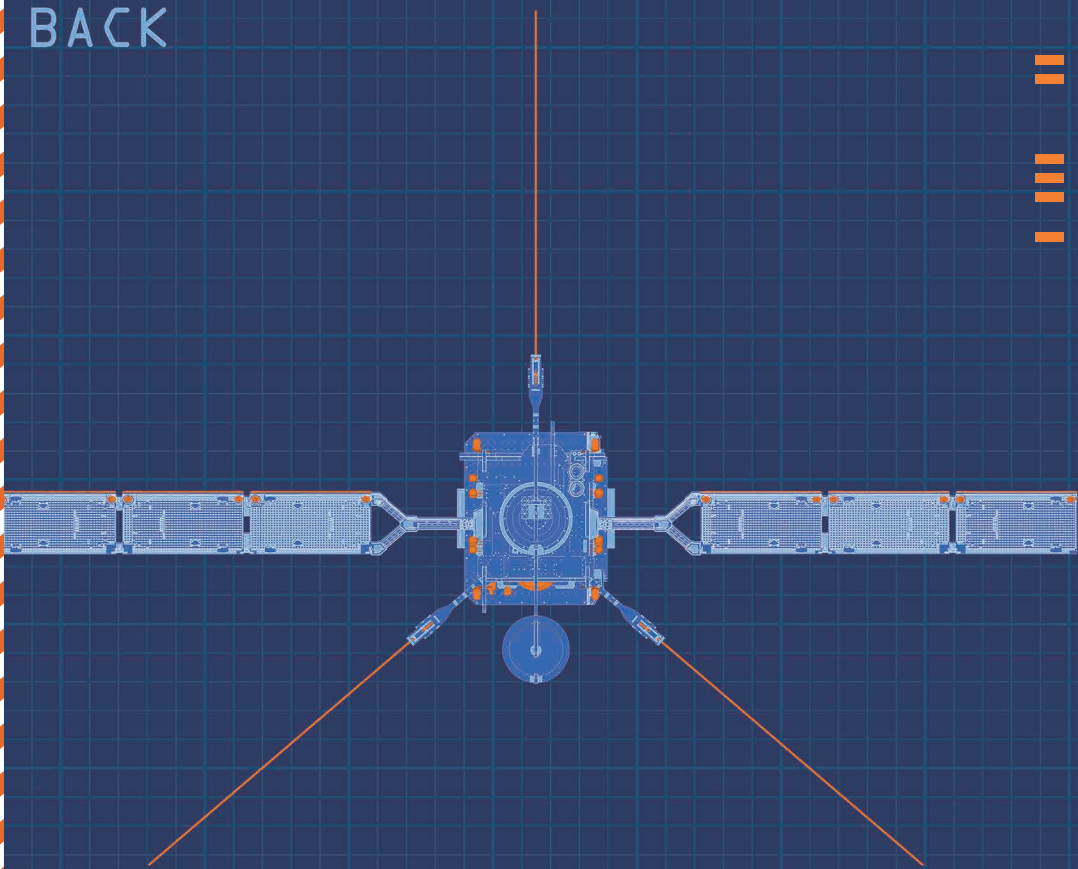


KEEP SAFE ▶

READ BEFORE FLIGHT

KEEP SAFE

BACK



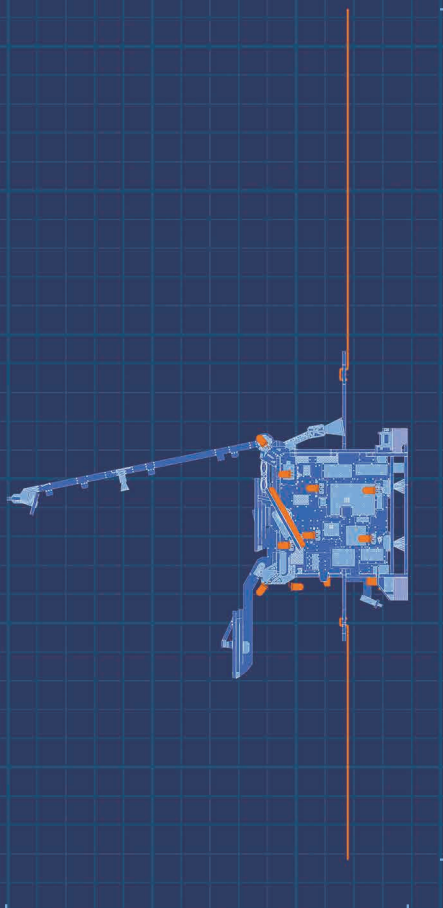
18.7"
475 MM

KEEP SAFE

READ BEFORE FLIGHT

▶ KEEP SAFE

LEFT



14.2"
360 MM

6.8"
175 MM



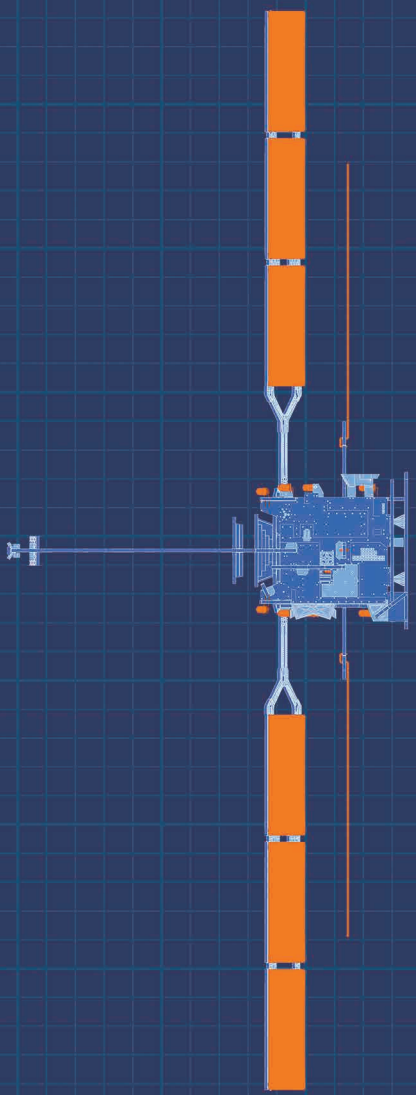
▶ KEEP SAFE

READ BEFORE FLIGHT

READ BEFORE FLIGHT

KEEP SAFE

TOP



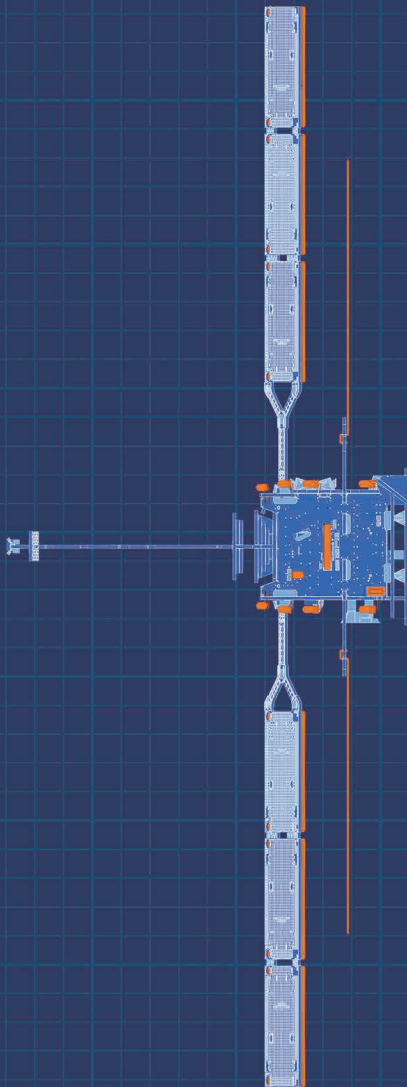
18.7"
475 MM



KEEP SAFE

KEEP SAFE ▶

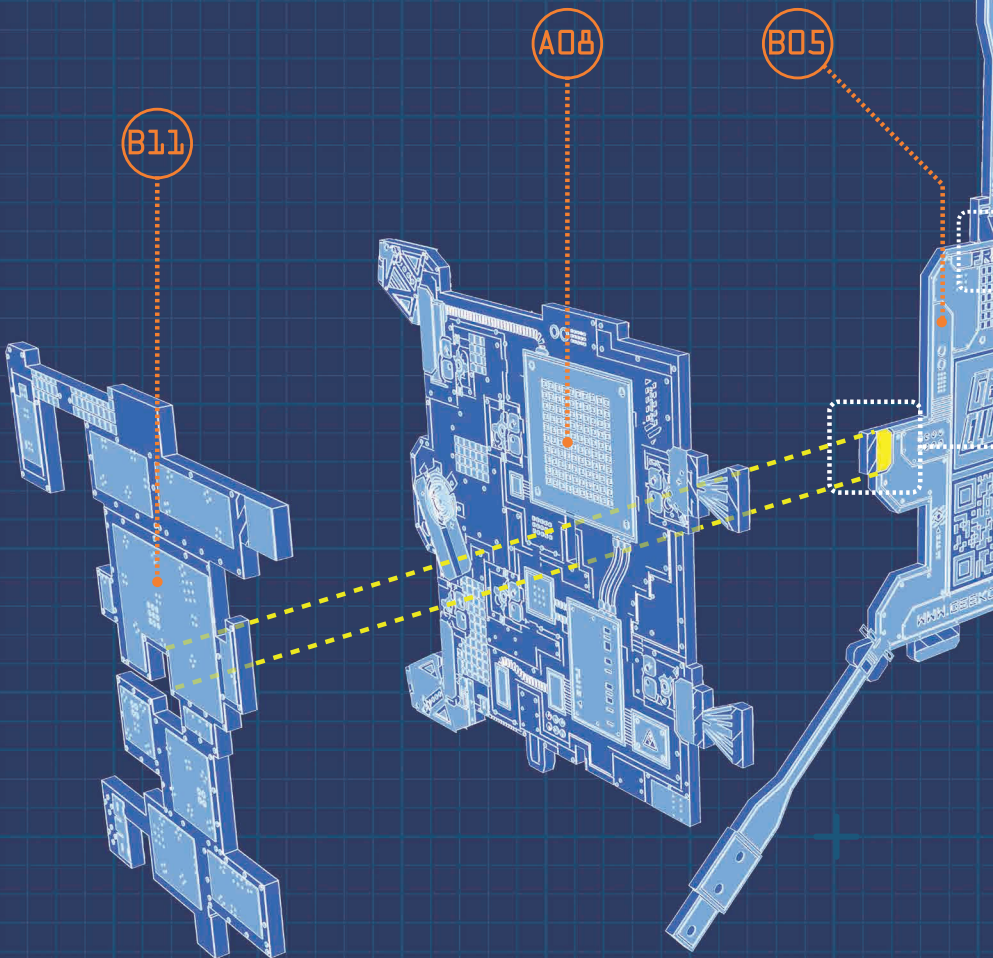
BOTTOM

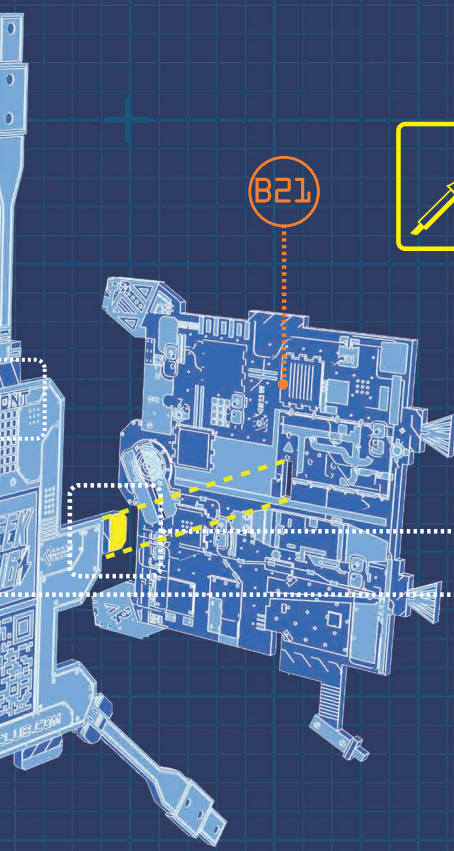


18.7"
475 MM

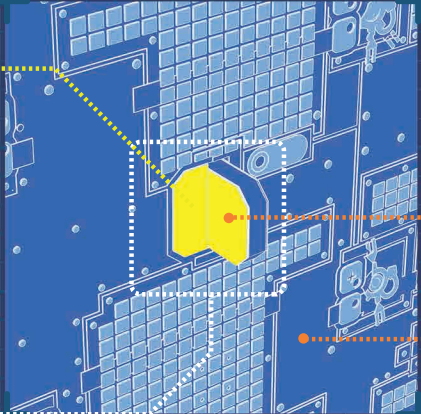
READ BEFORE FLIGHT

KEEP SAFE ▶



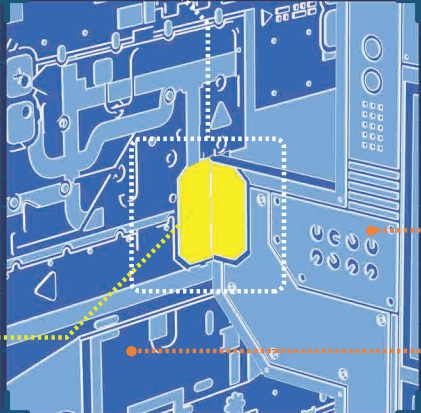


B21



B05

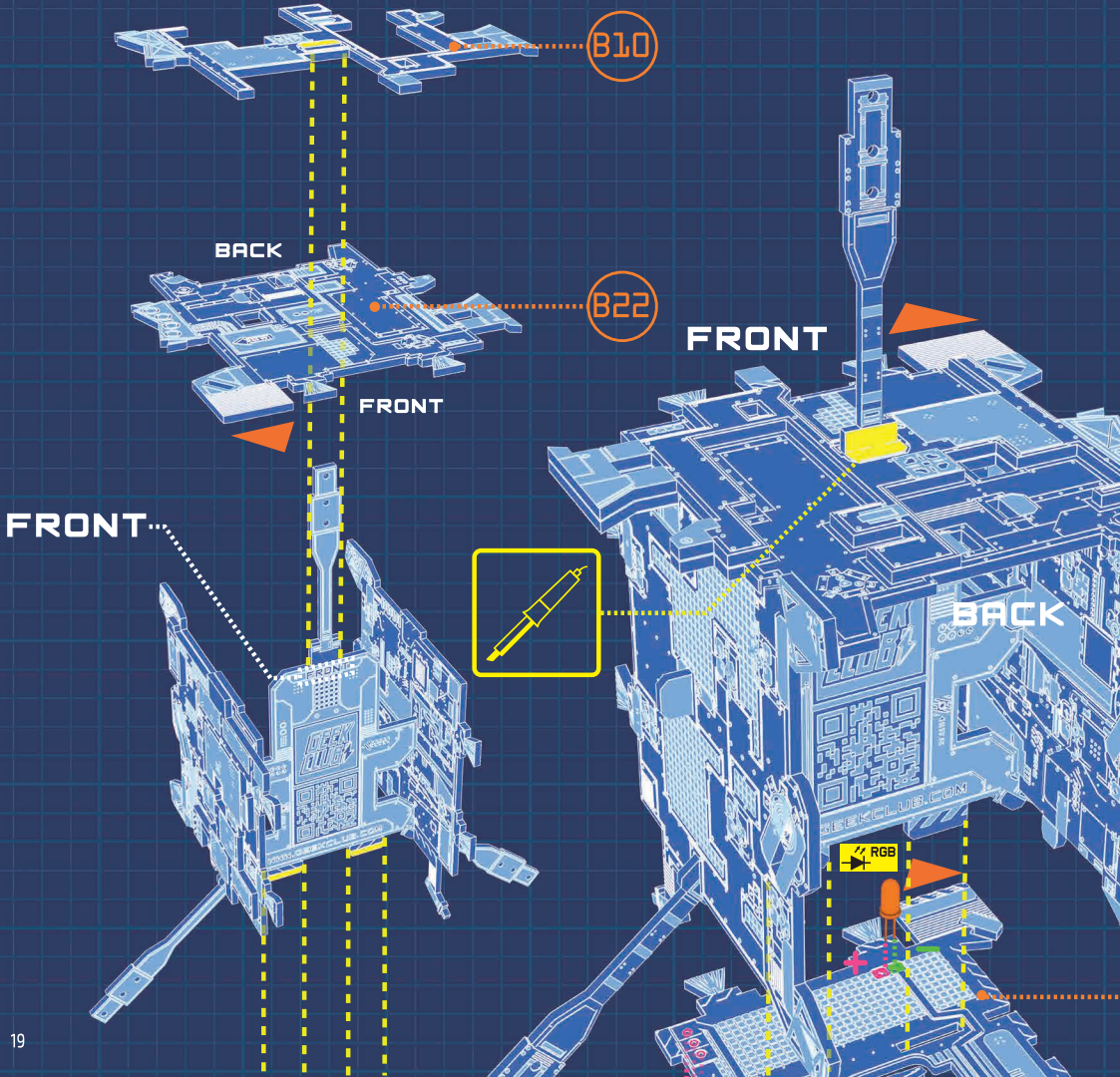
B21



B05

A08





LED TH 3mm
Through-Hole

RGB

SCHEMATIC IMAGE

x1

RGB

LED TH 3mm
Through-Hole

PURPLE

SCHEMATIC IMAGE

x15

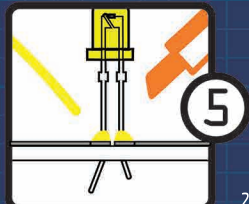
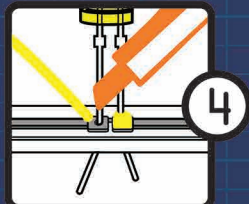
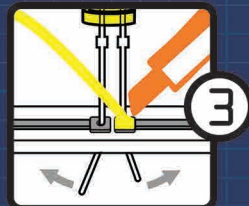
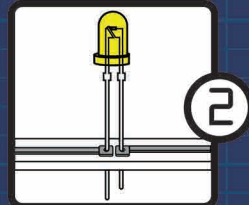
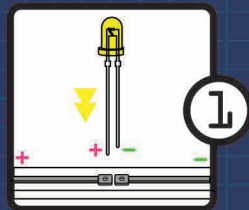
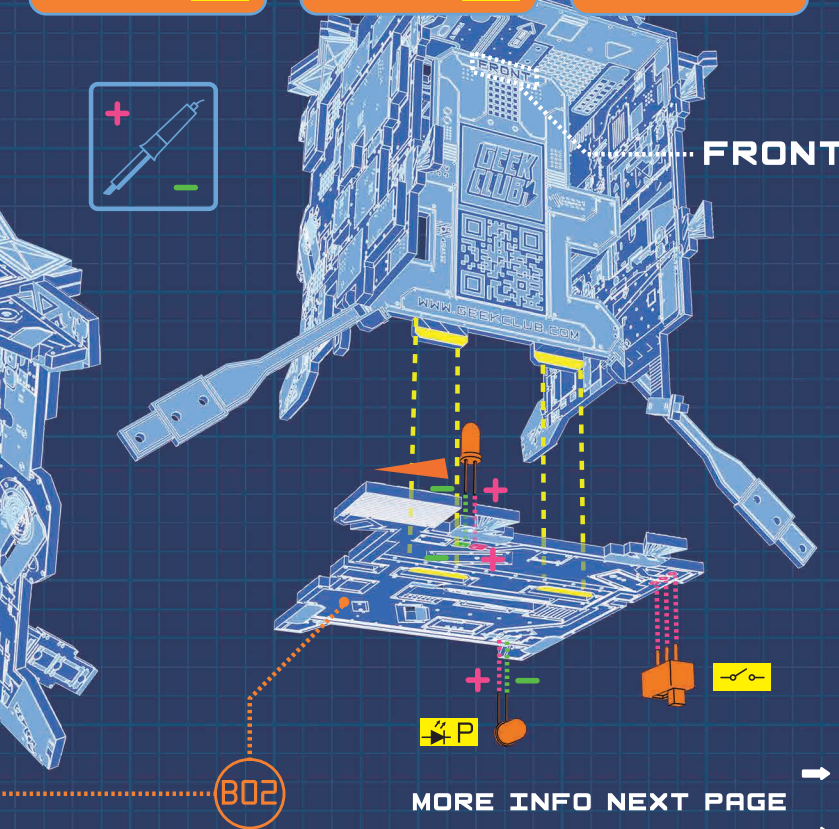
P

SWITCH

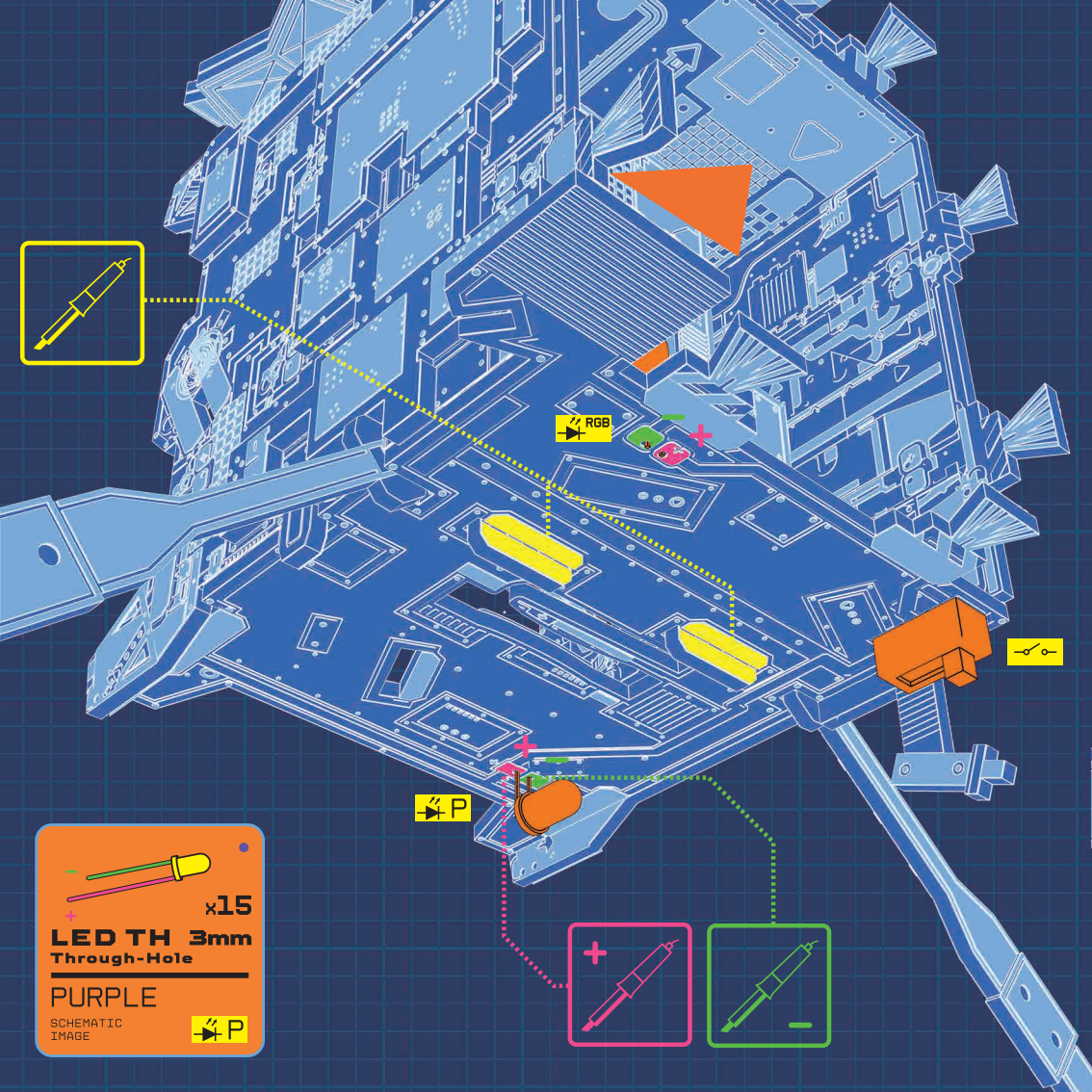
SCHEMATIC IMAGE

x1

Switch symbol



MORE INFO NEXT PAGE



RGB



P

x15

LED TH 3mm
Through-Hole

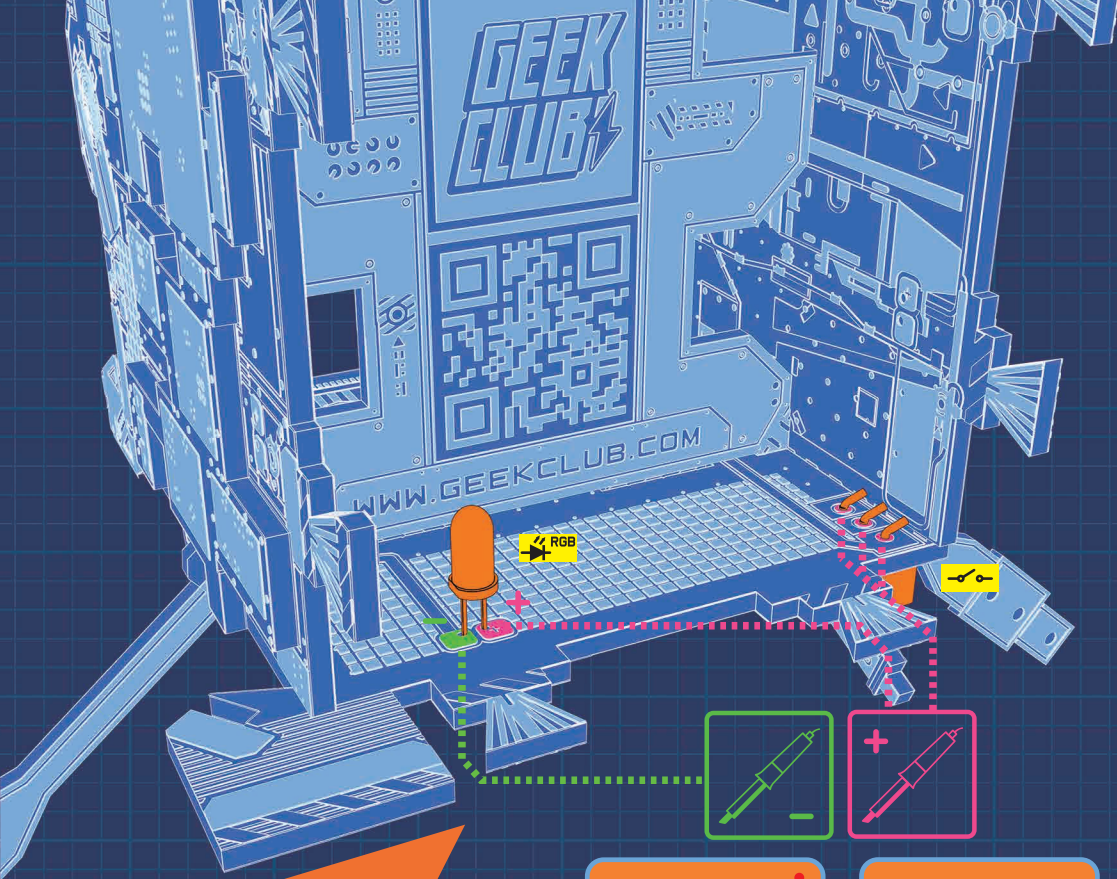
PURPLE

SCHEMATIC
IMAGE

P

A large orange callout box containing an image of a purple LED strip with '+' and '-' polarity markings. Below the image is the text 'x15', 'LED TH 3mm Through-Hole', 'PURPLE', and 'SCHEMATIC IMAGE'. At the bottom right of the box is a yellow callout with a '+' sign and the letter 'P'.






x1

**LED TH 3mm
Through-Hole**

RGB


SCHEMATIC
IMAGE



x1

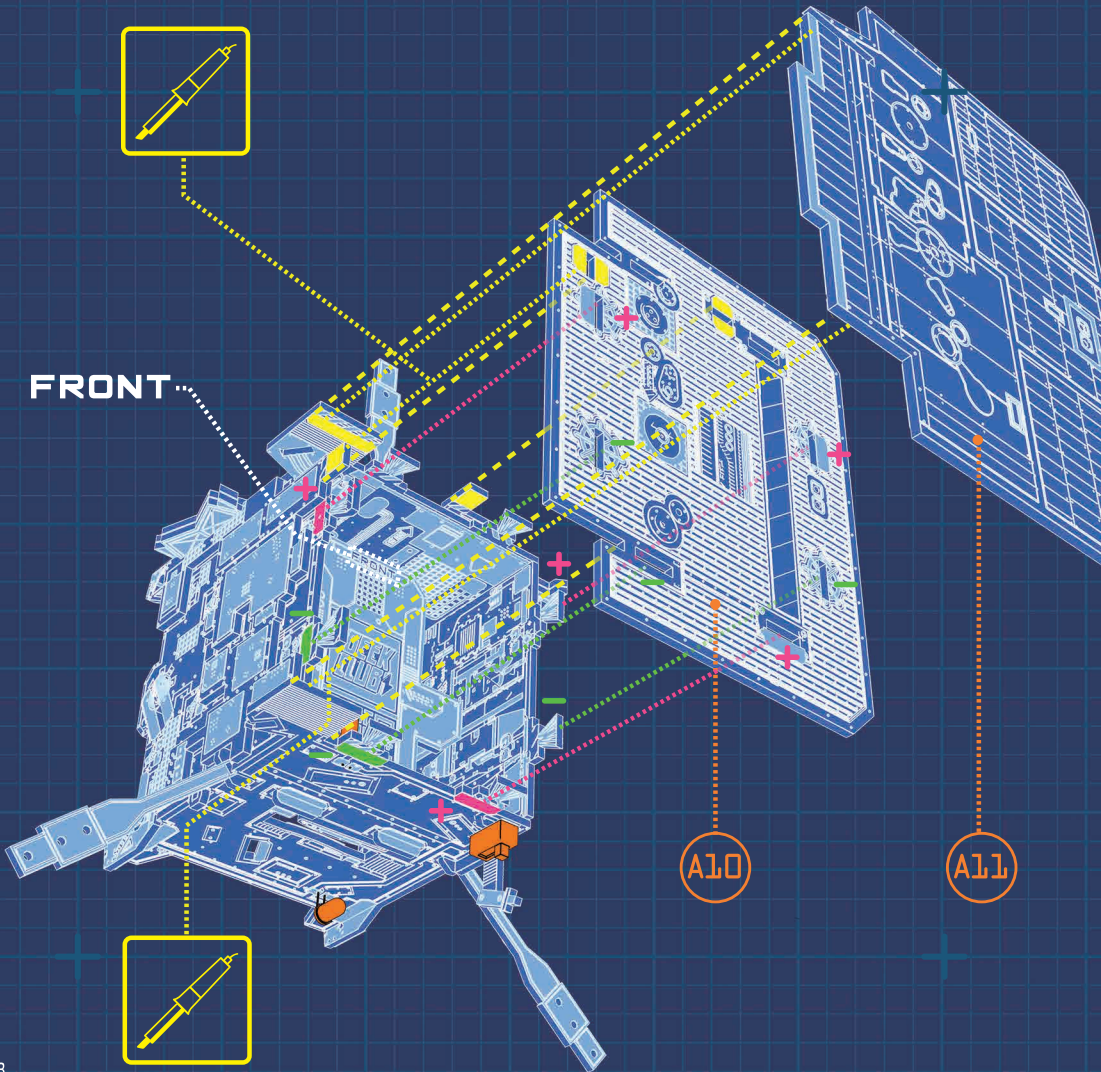
SWITCH

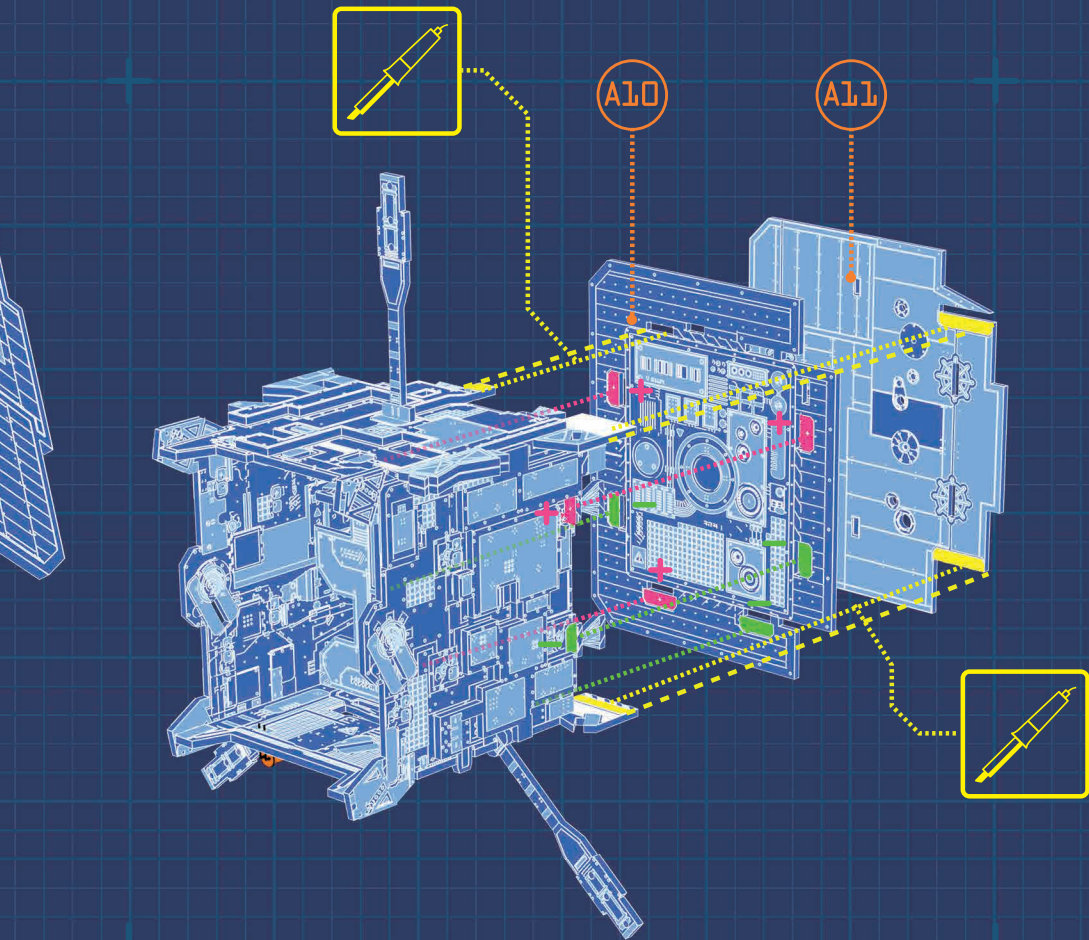
SCHEMATIC
IMAGE





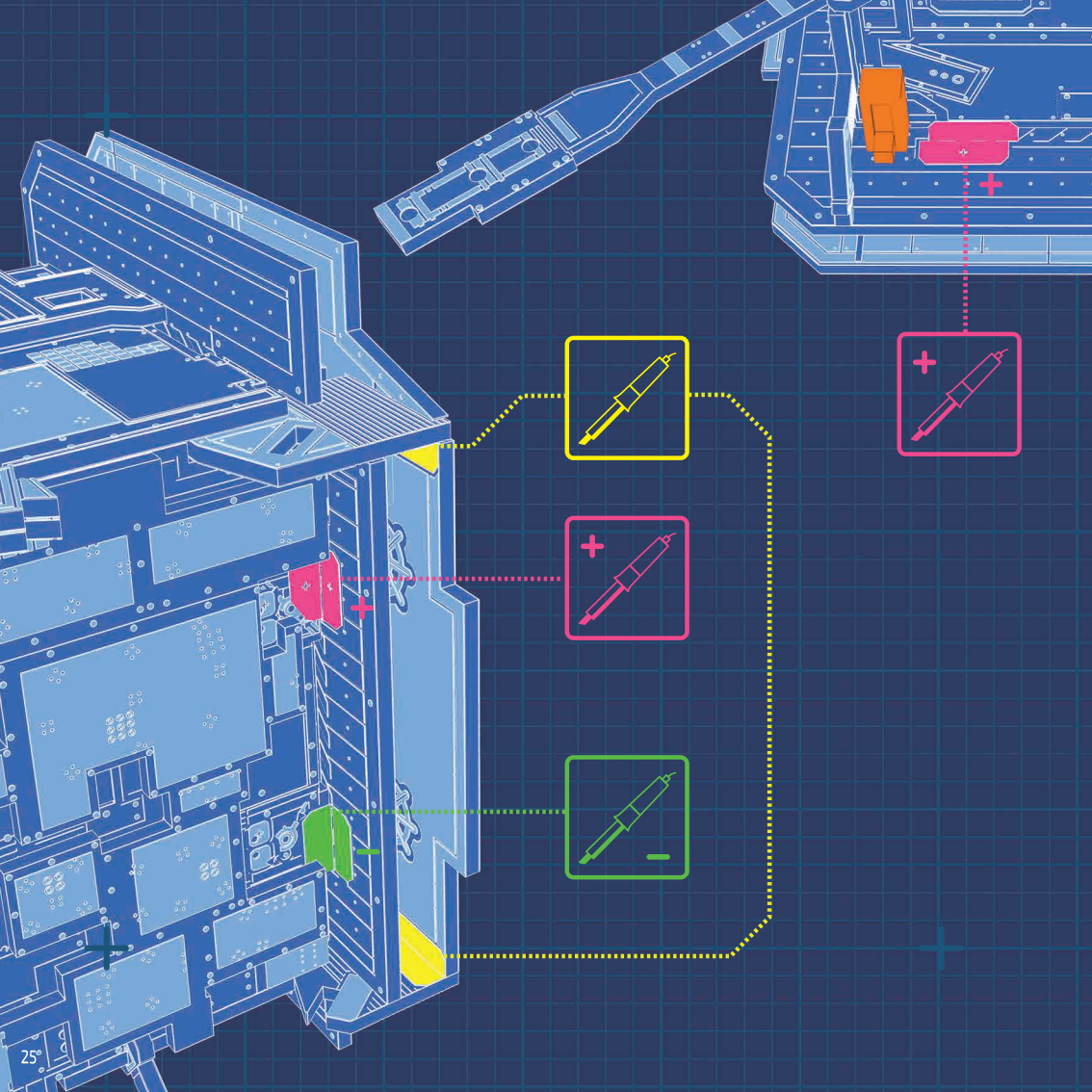
FRONT

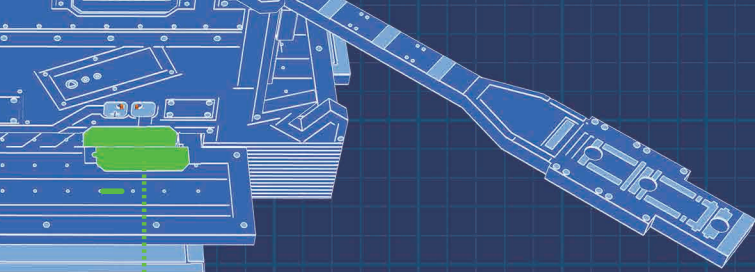


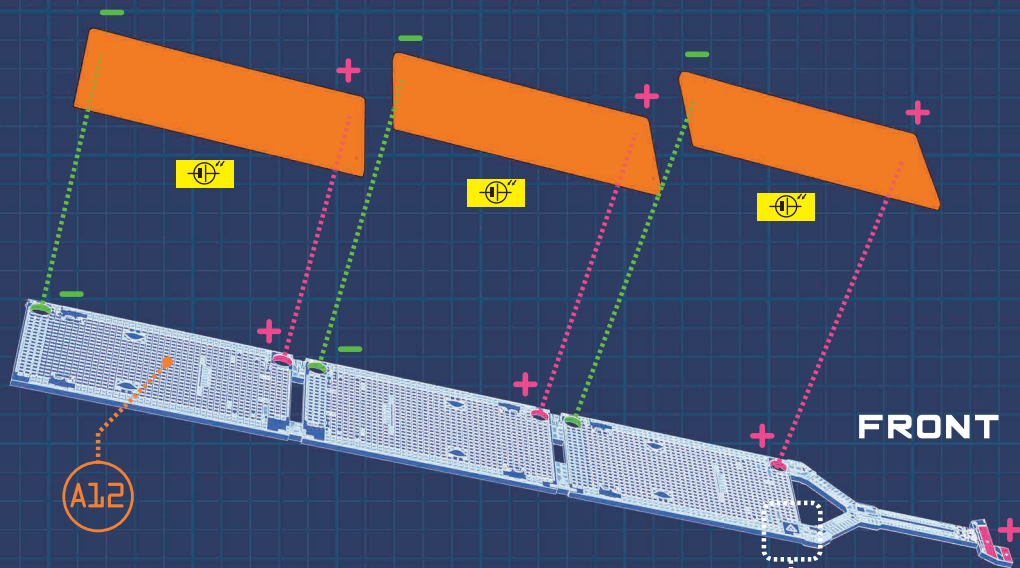


MORE INFO NEXT PAGE







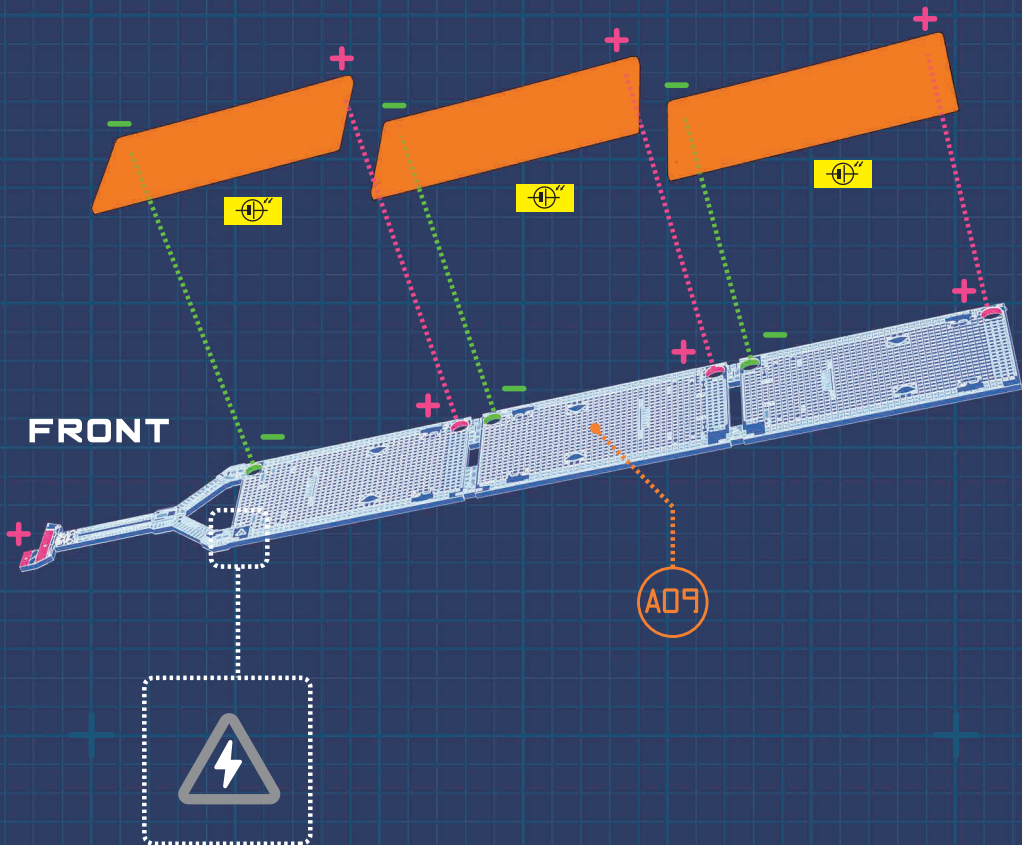


x6

SOLAR PANEL

SCHEMATIC IMAGE



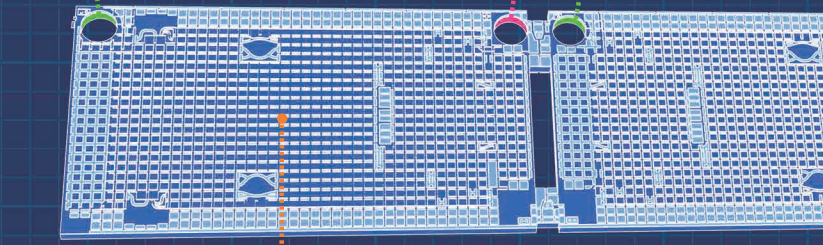
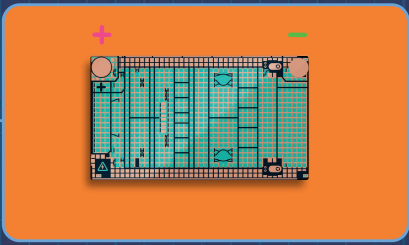




x6

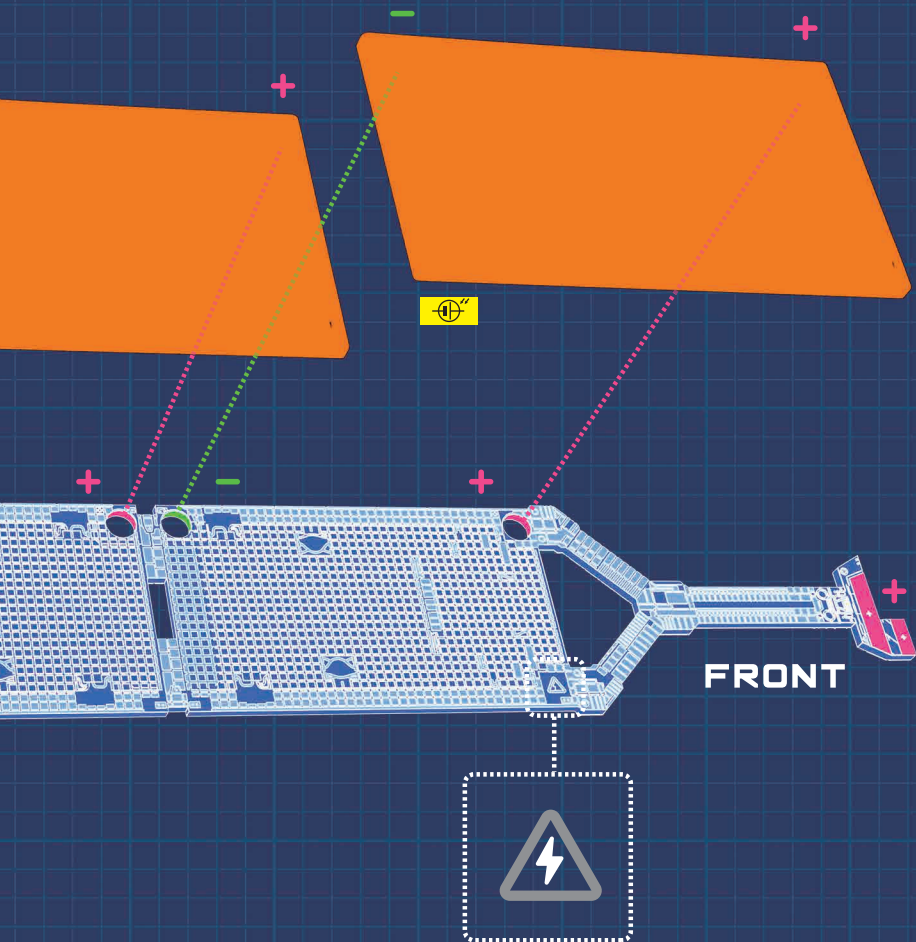
SOLAR PANEL

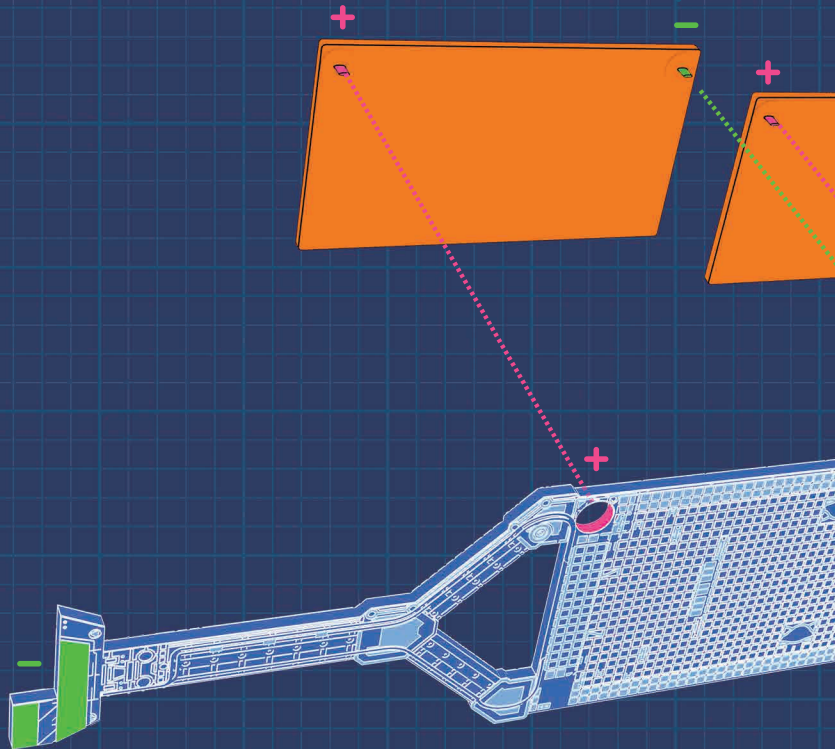
SCHEMATIC
IMAGE



A1.2

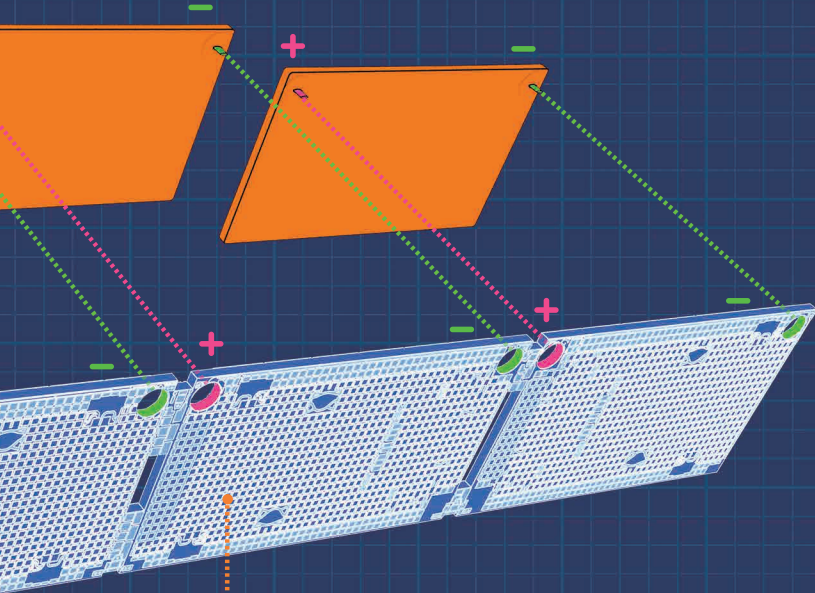
MORE INFO NEXT PAGE





BACK

MORE INFO NEXT PAGE



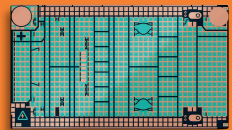
A12



x6

SOLAR PANEL

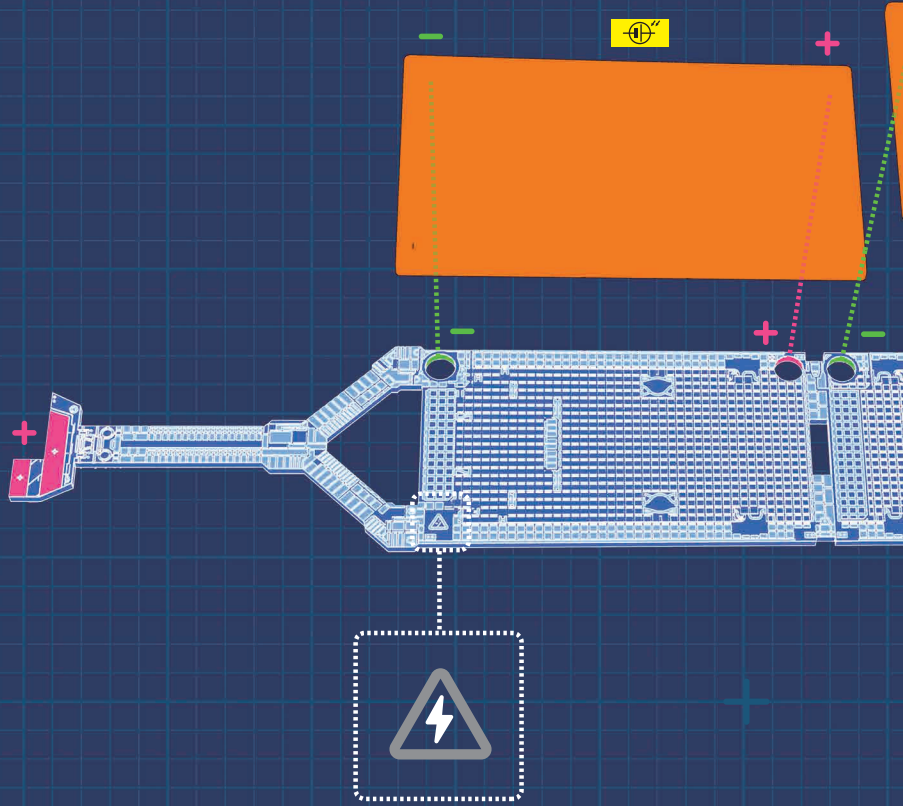
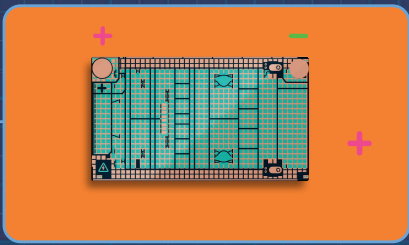
SCHEMATIC
IMAGE



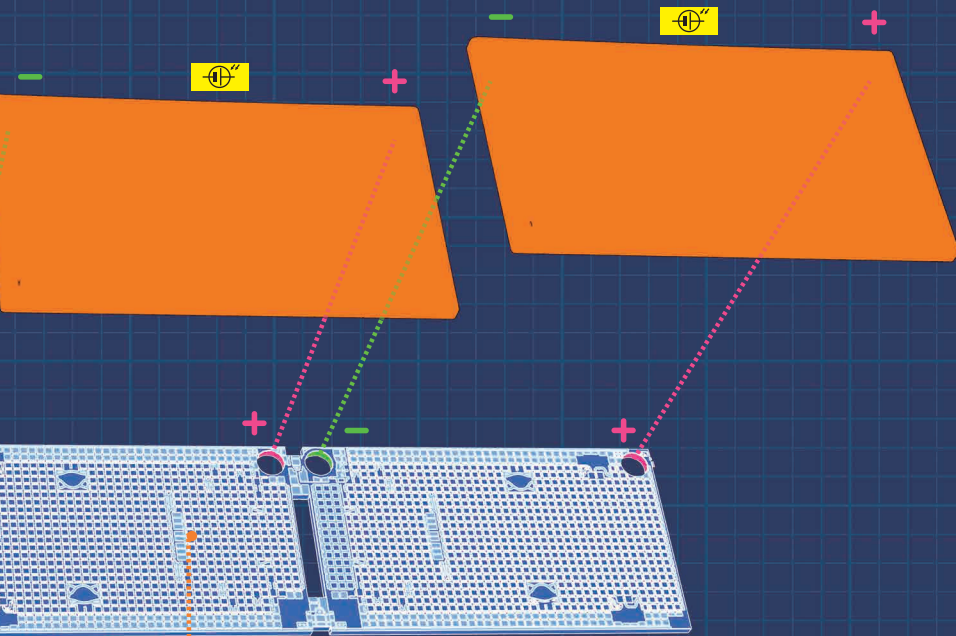
SOLAR PANEL

x6

SCHEMATIC IMAGE

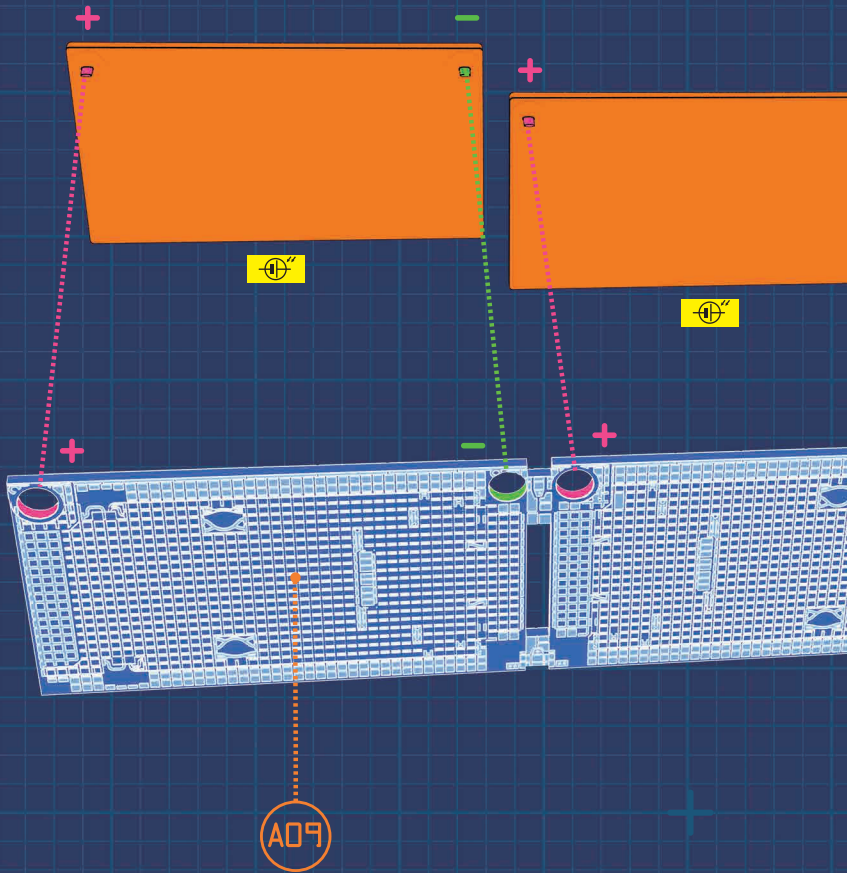


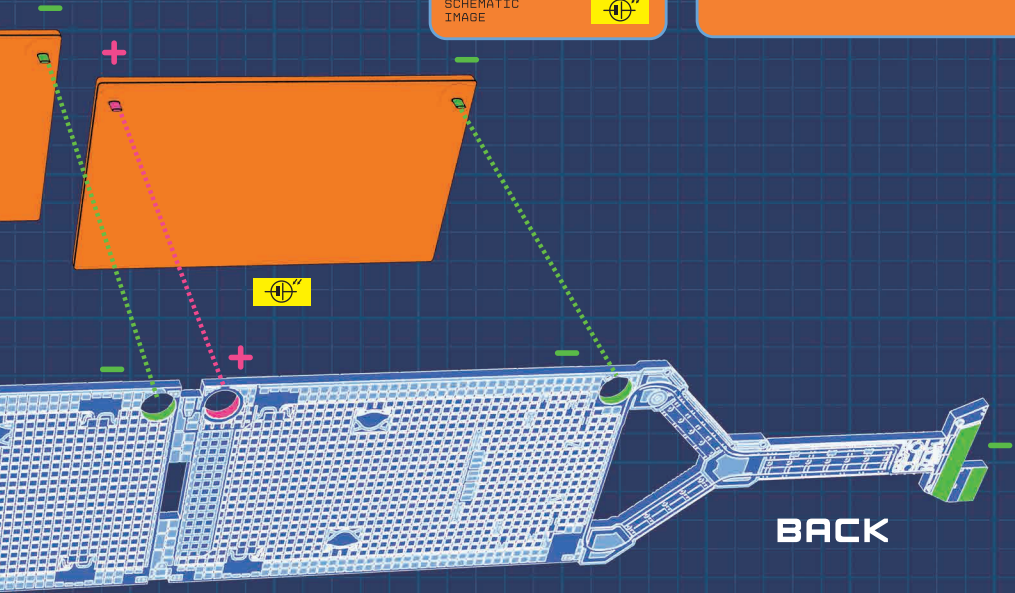
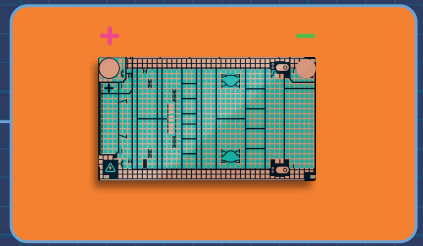
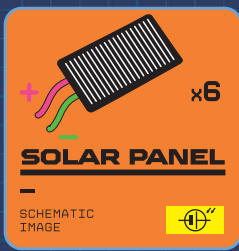
MORE INFO NEXT PAGE



FRONT

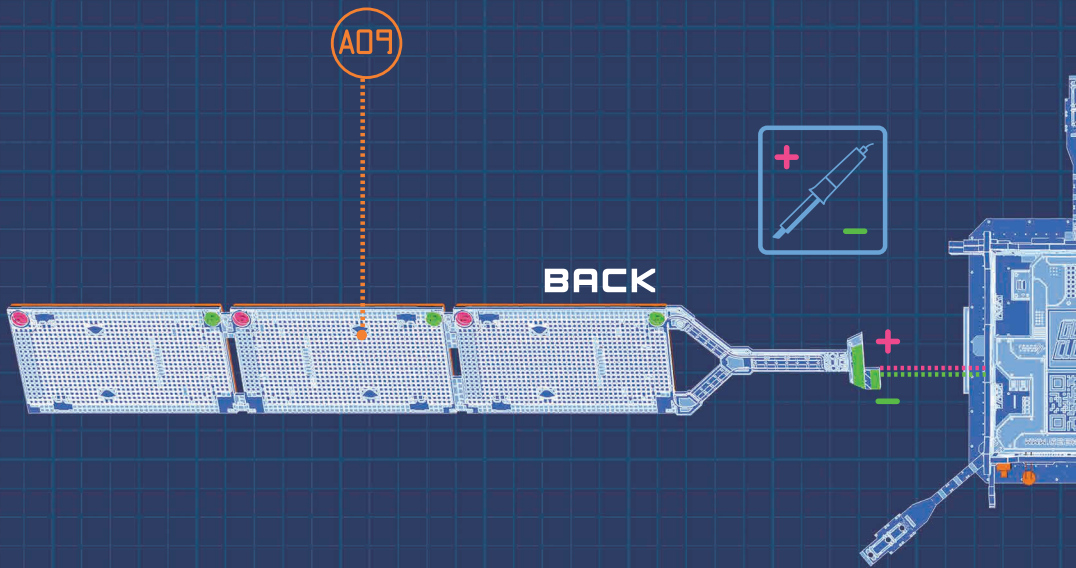
A09

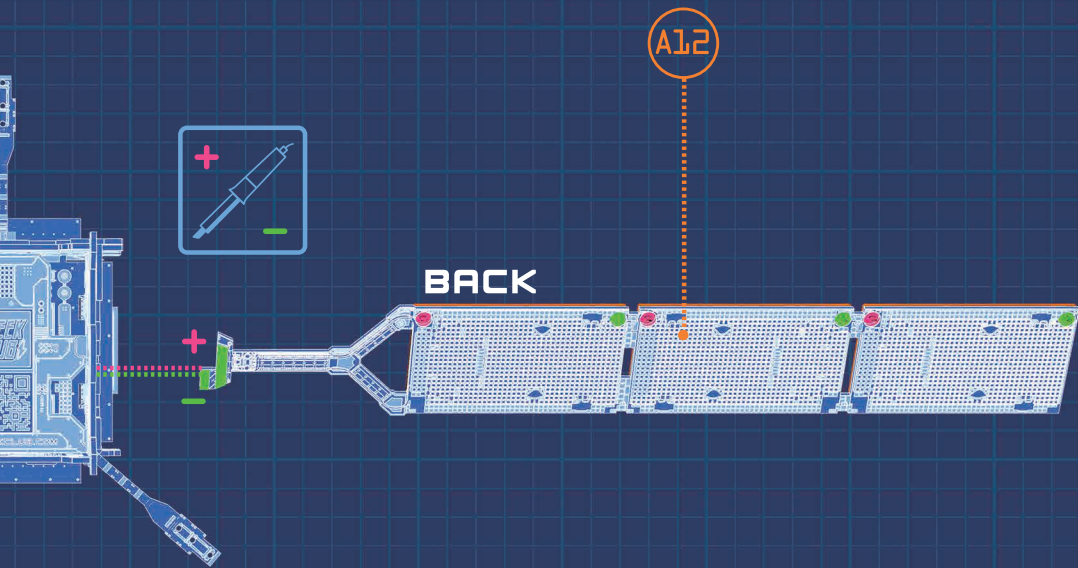


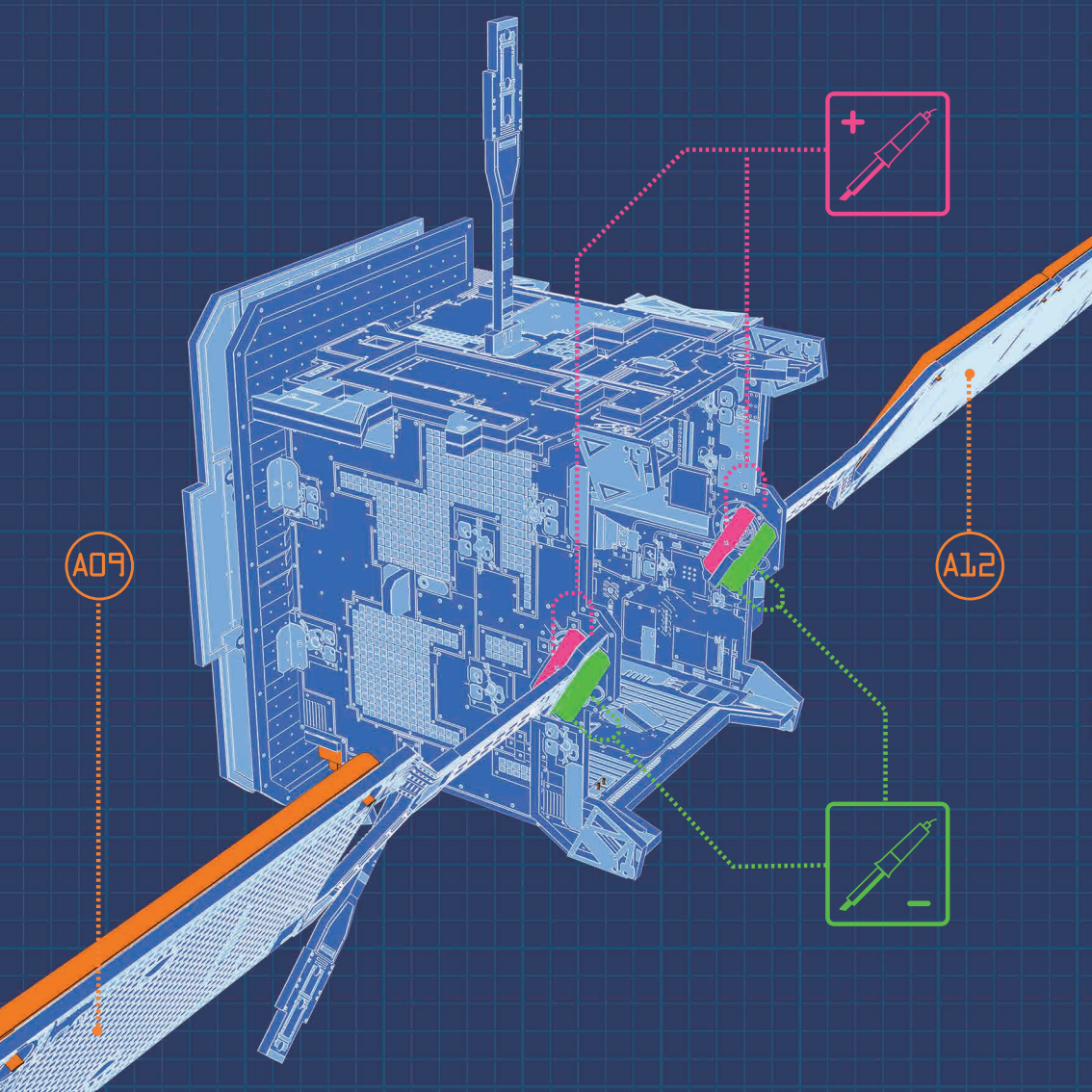


MORE INFO NEXT PAGE





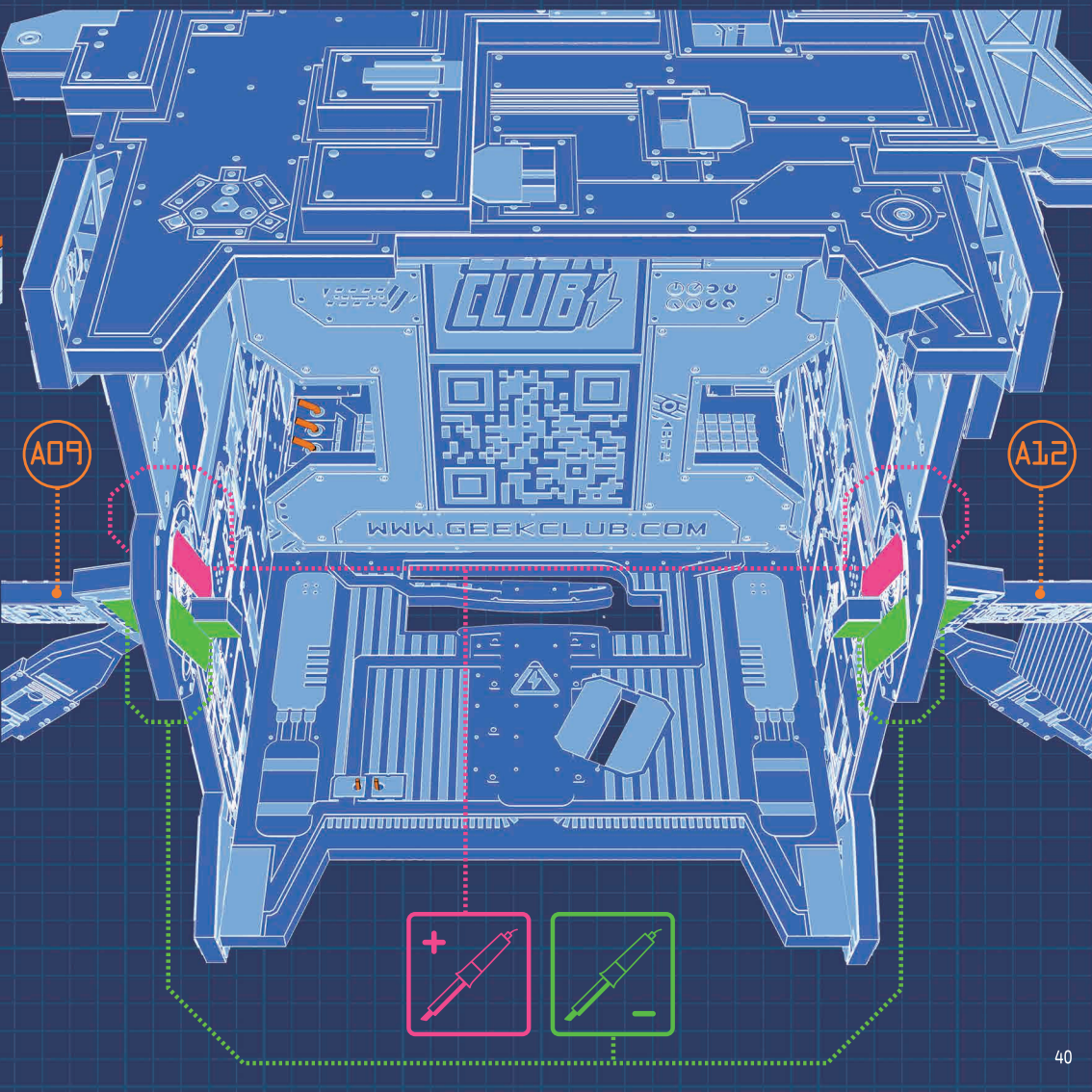




A09

A12





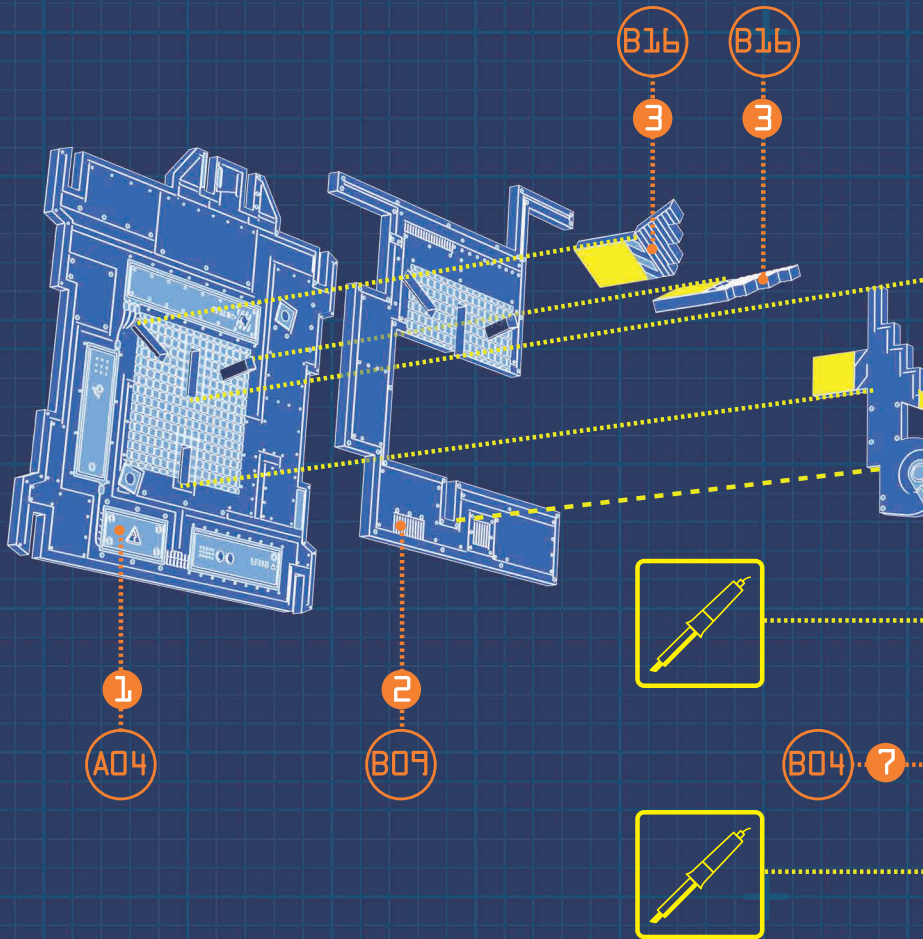
A09

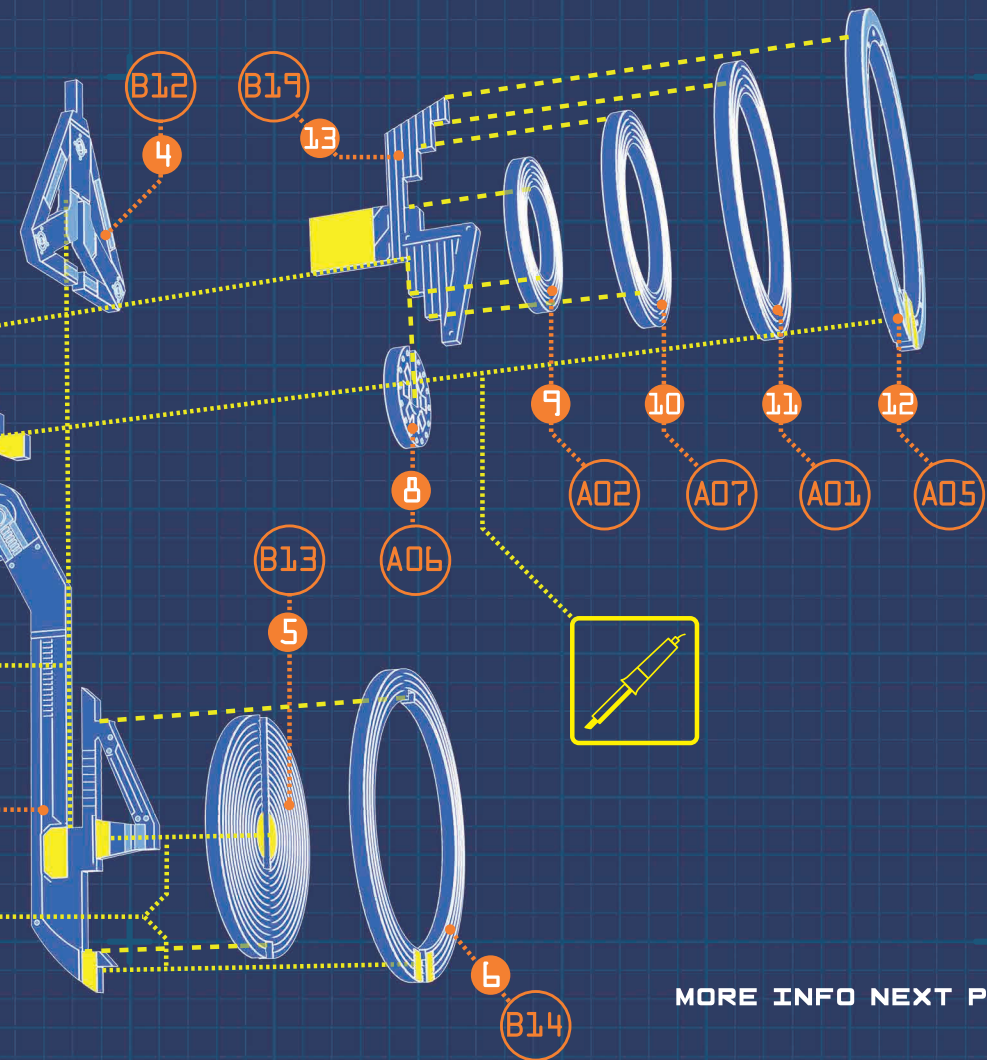
A12

GEEK CLUB

WWW.GEEKCLUB.COM

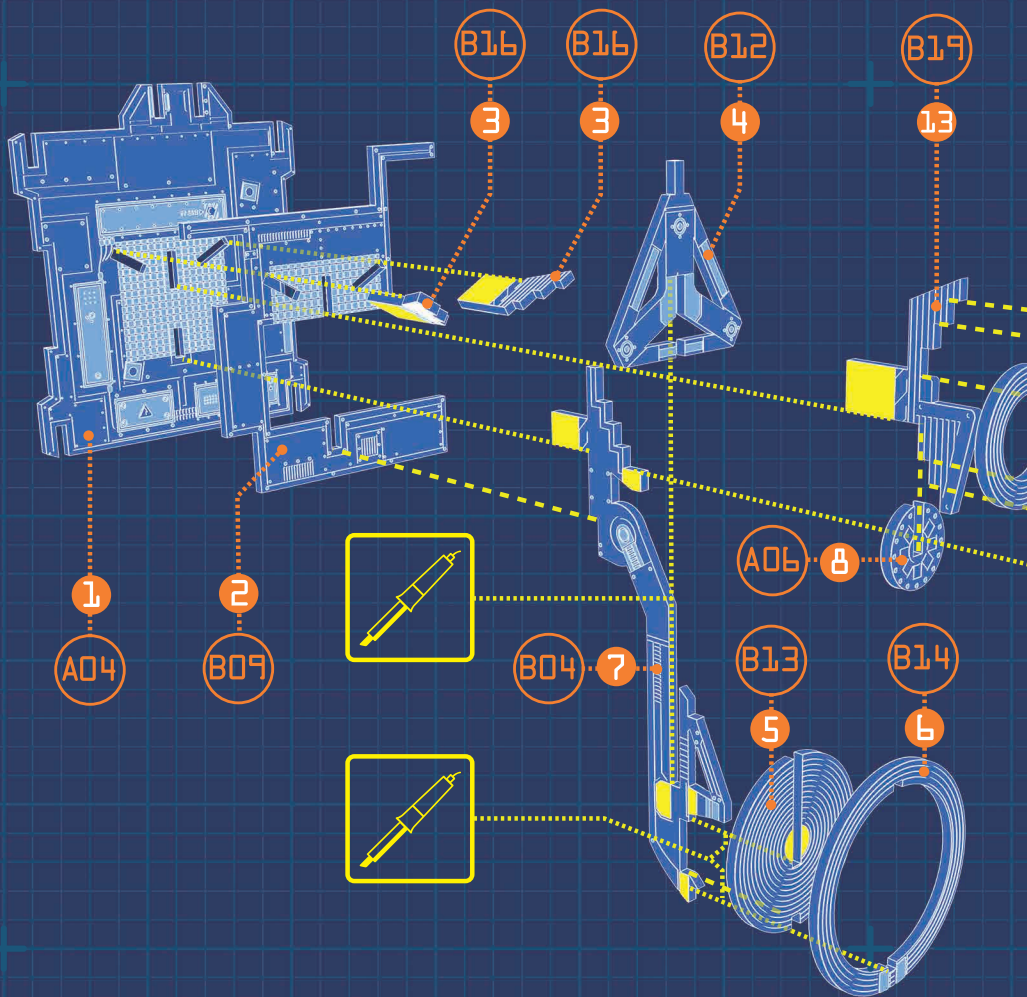


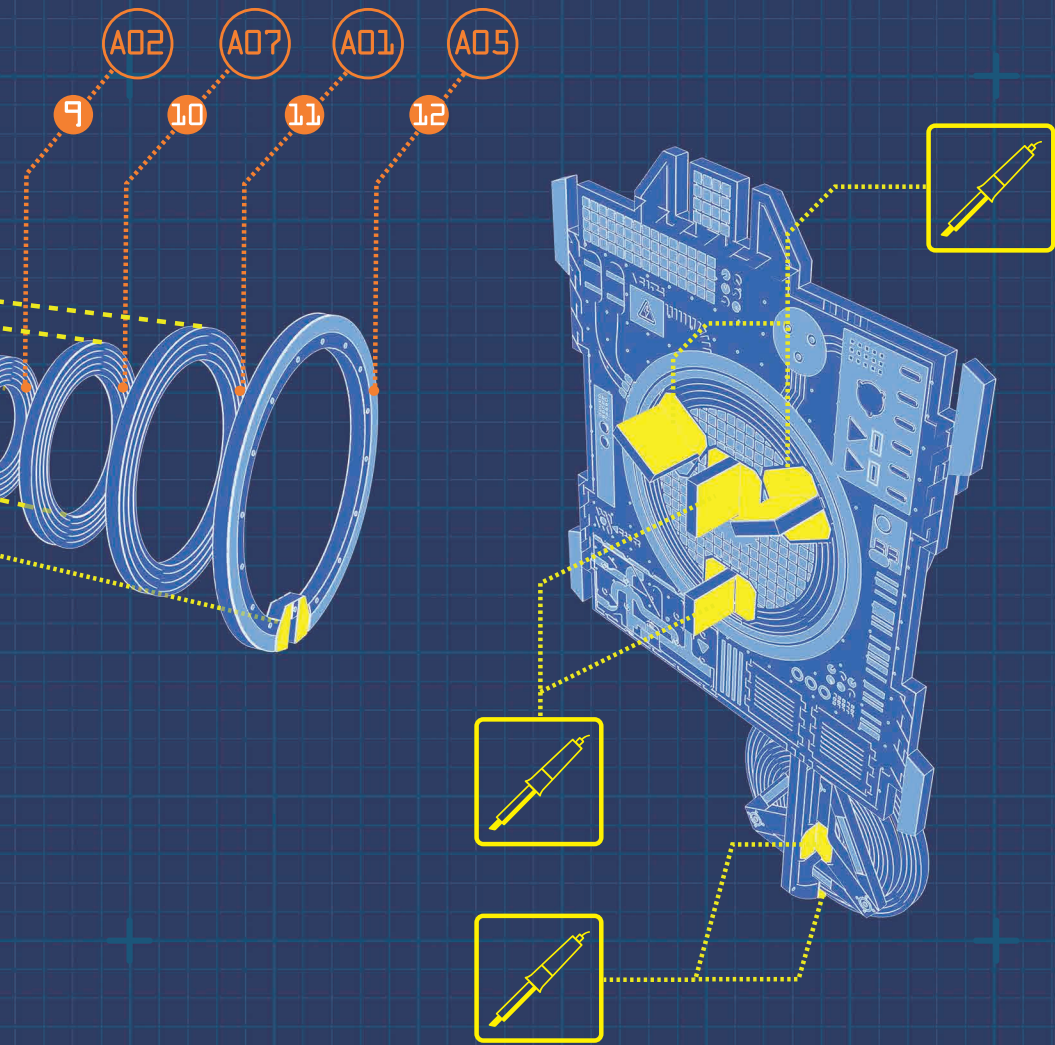


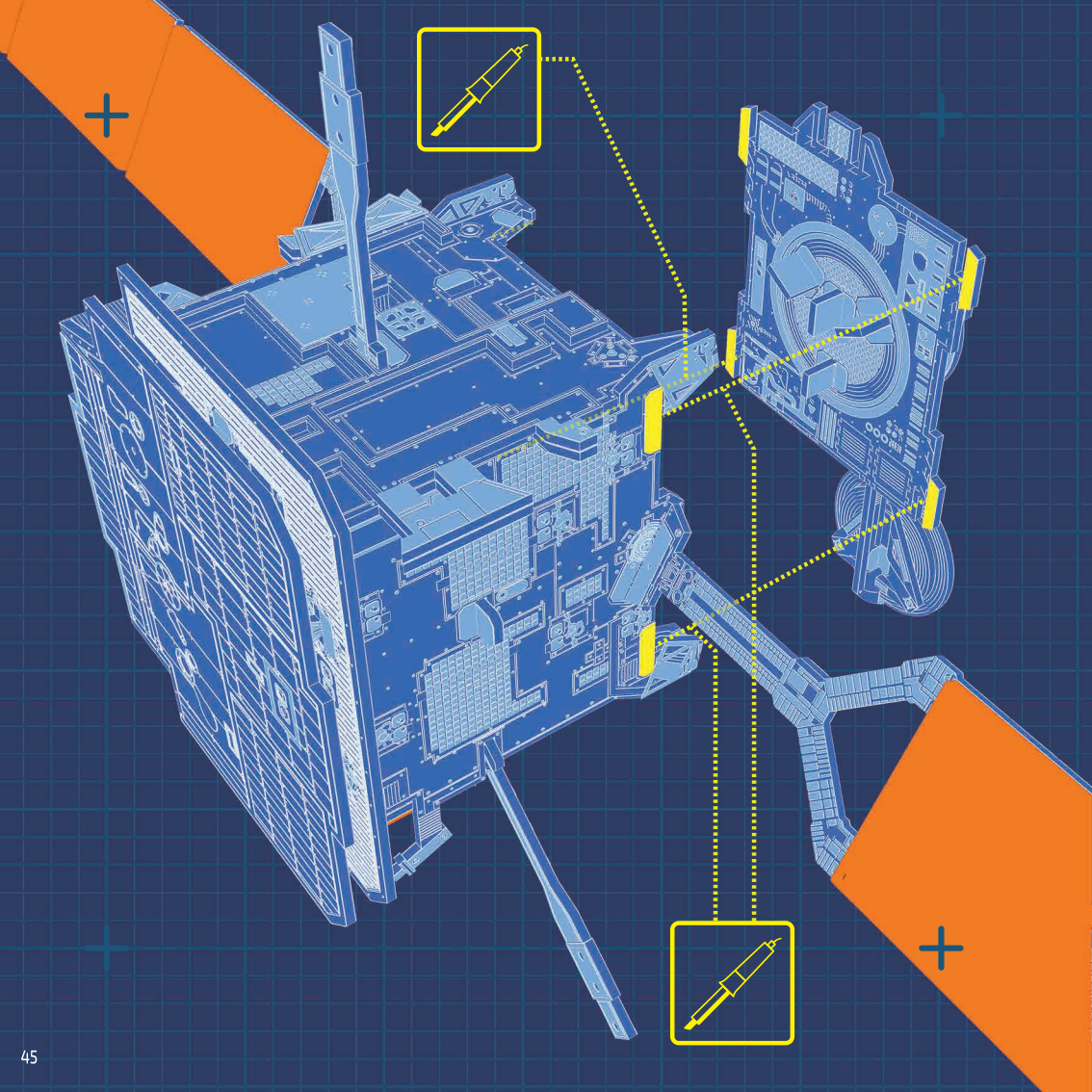


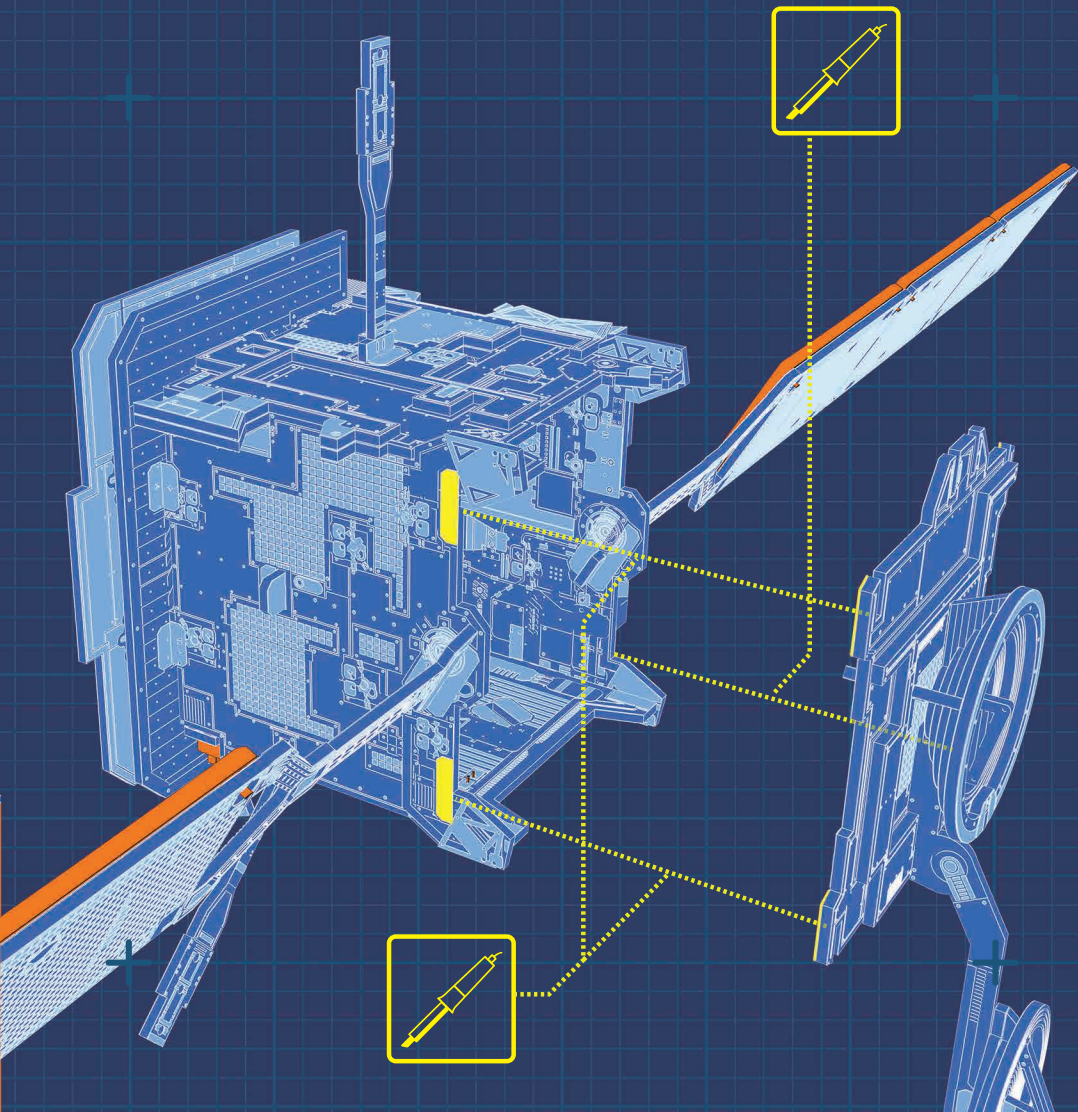
MORE INFO NEXT PAGE

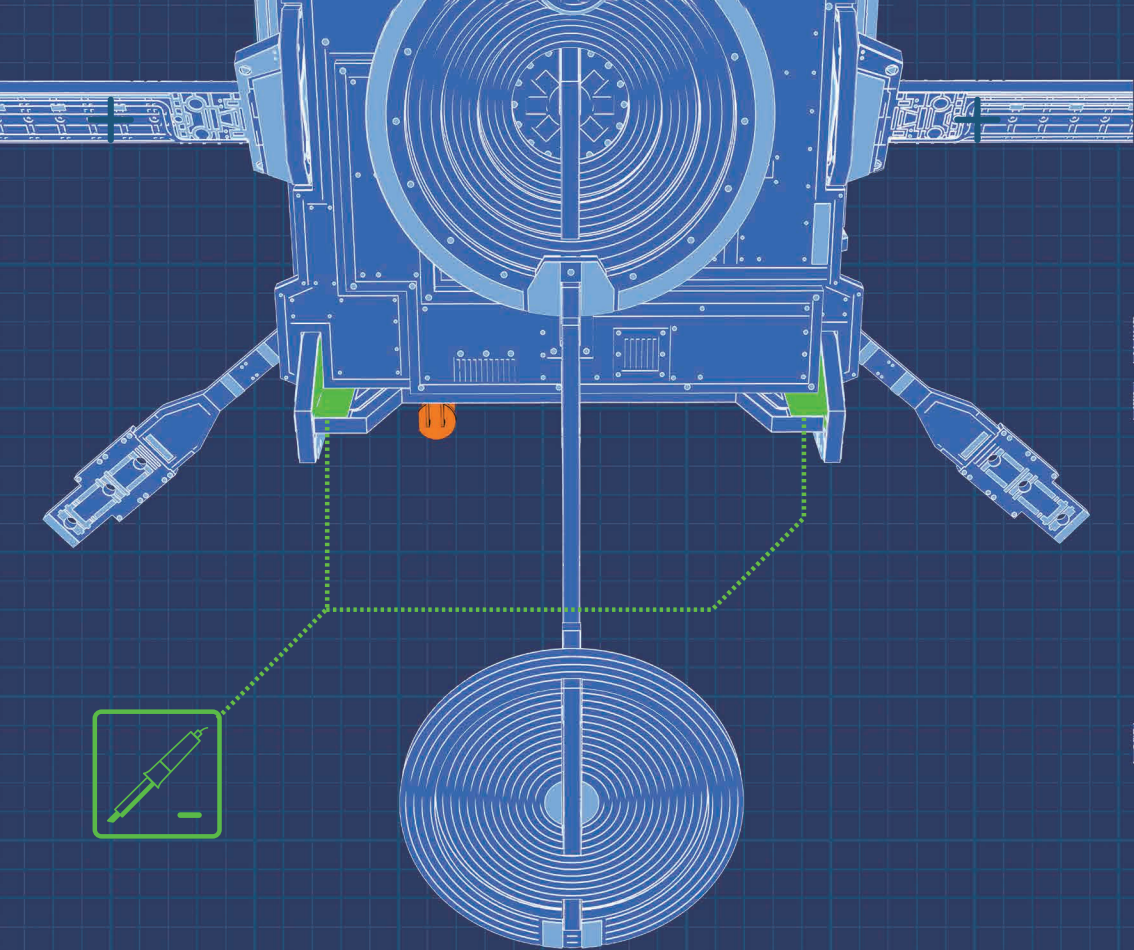


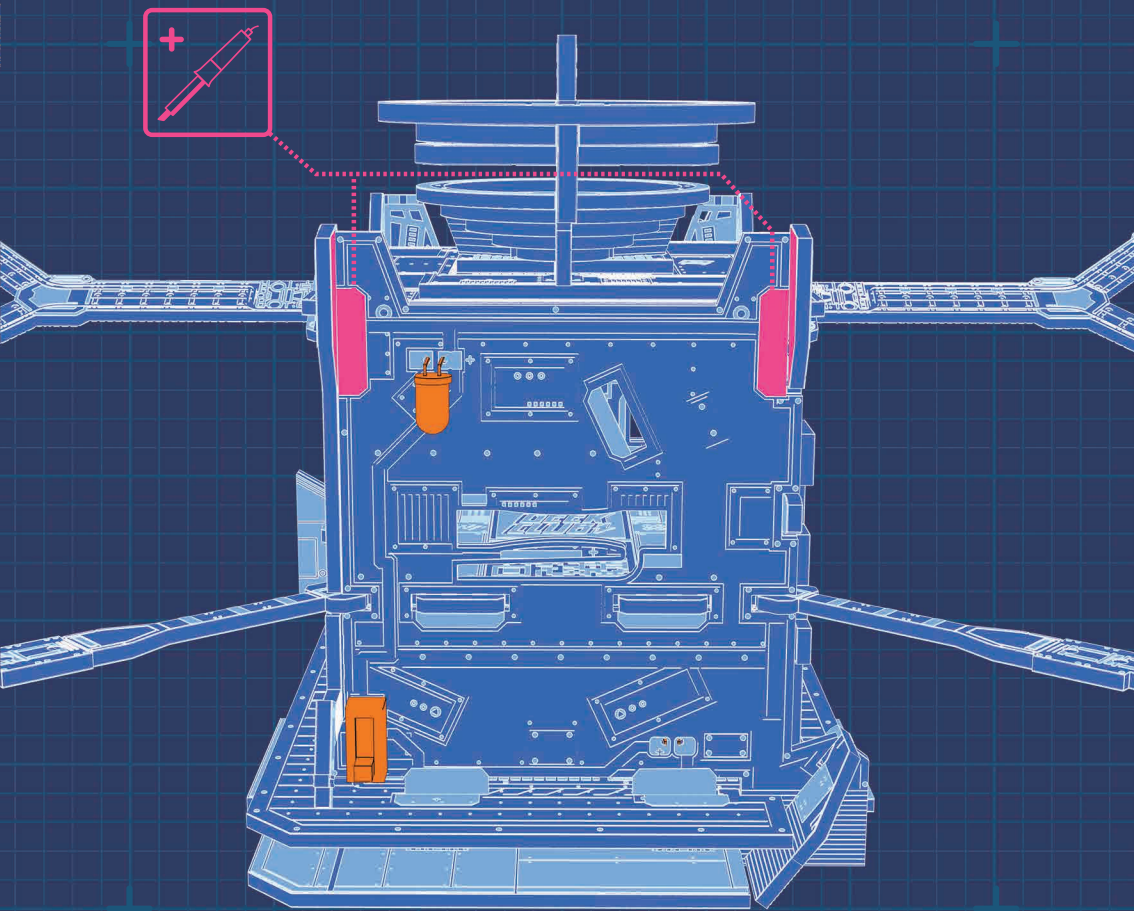


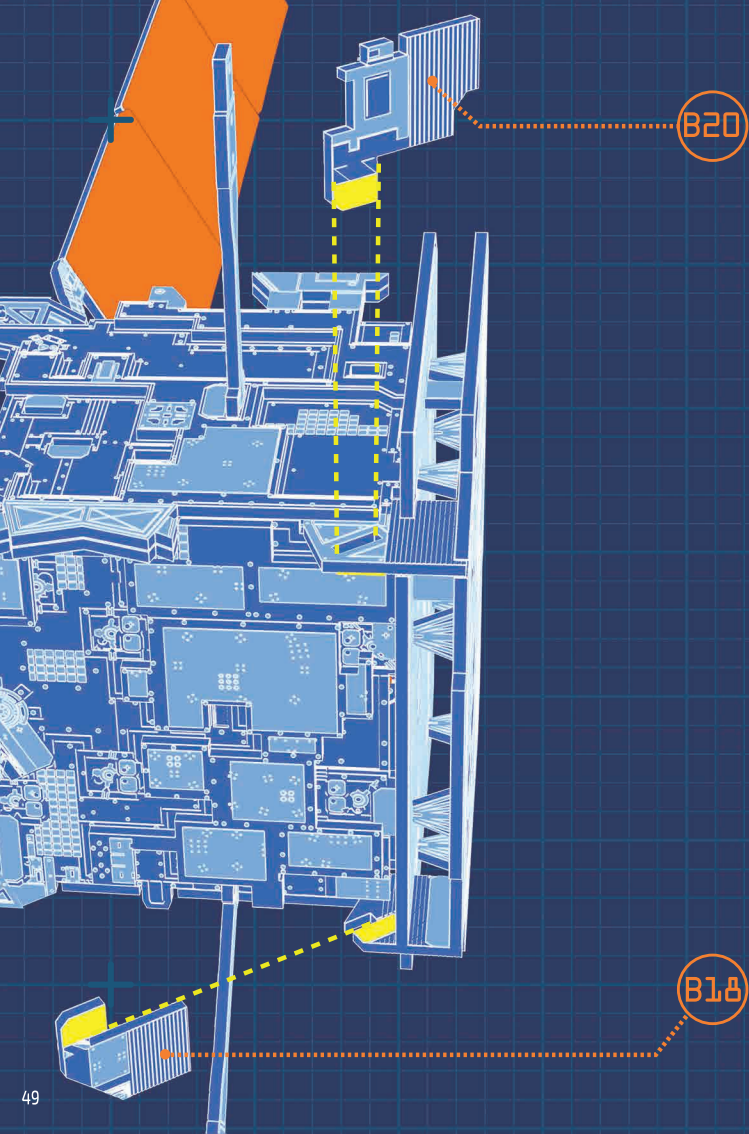






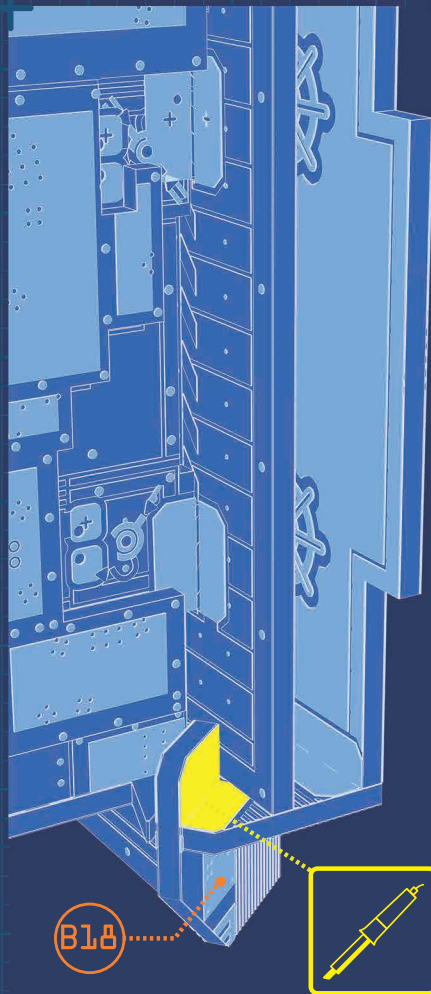
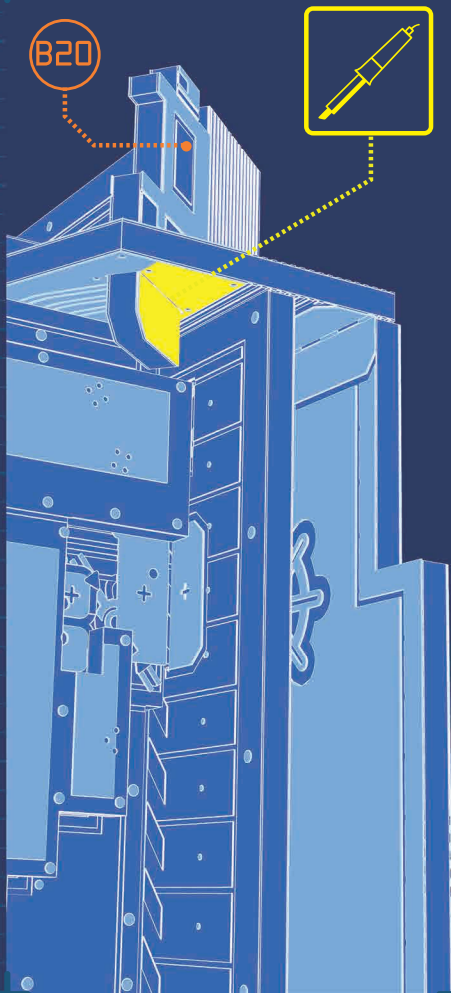


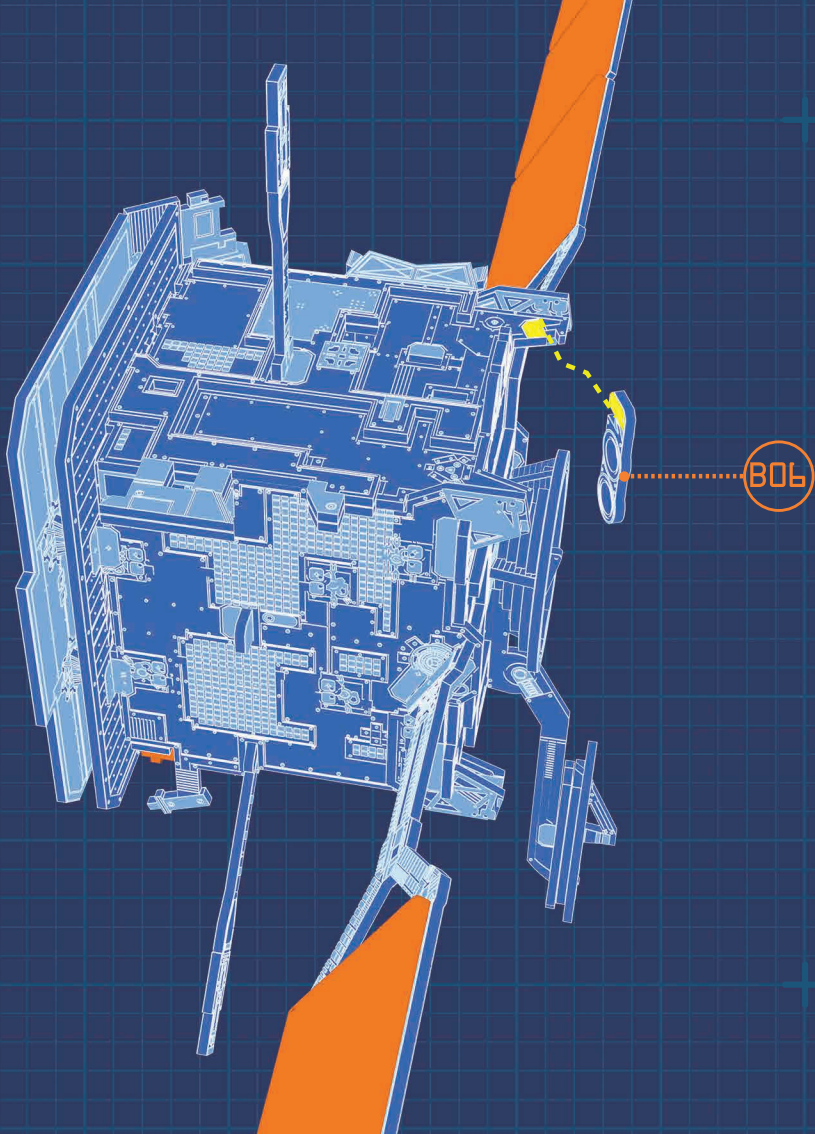


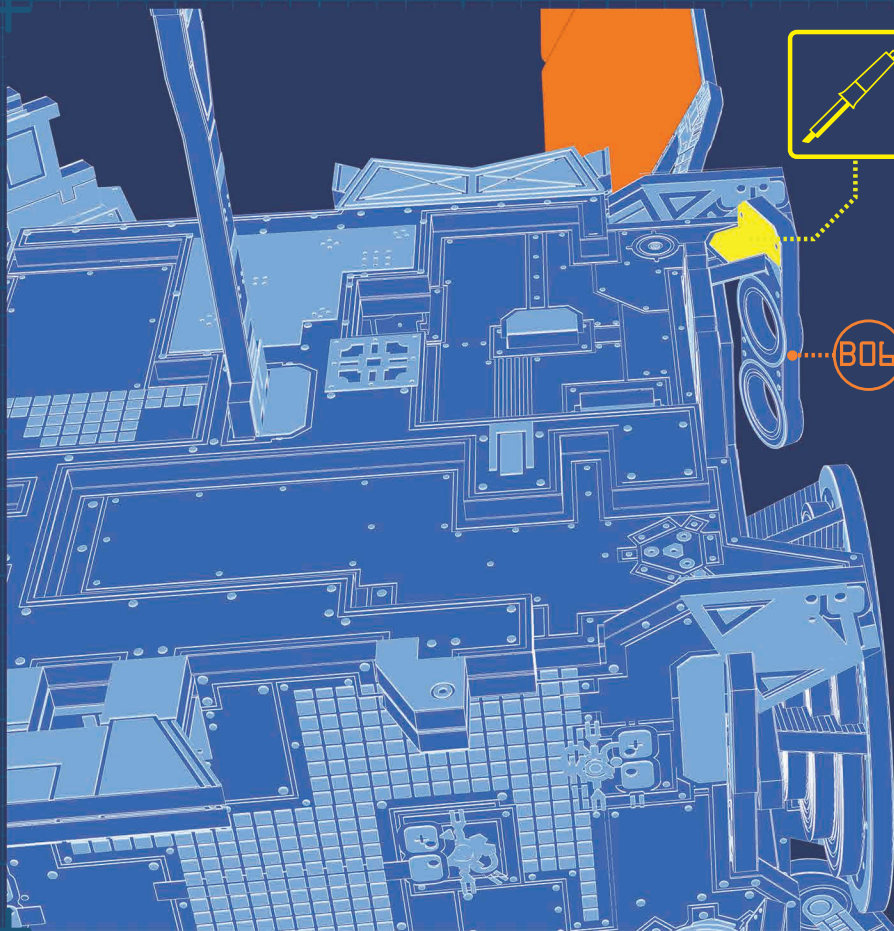


B20

B18





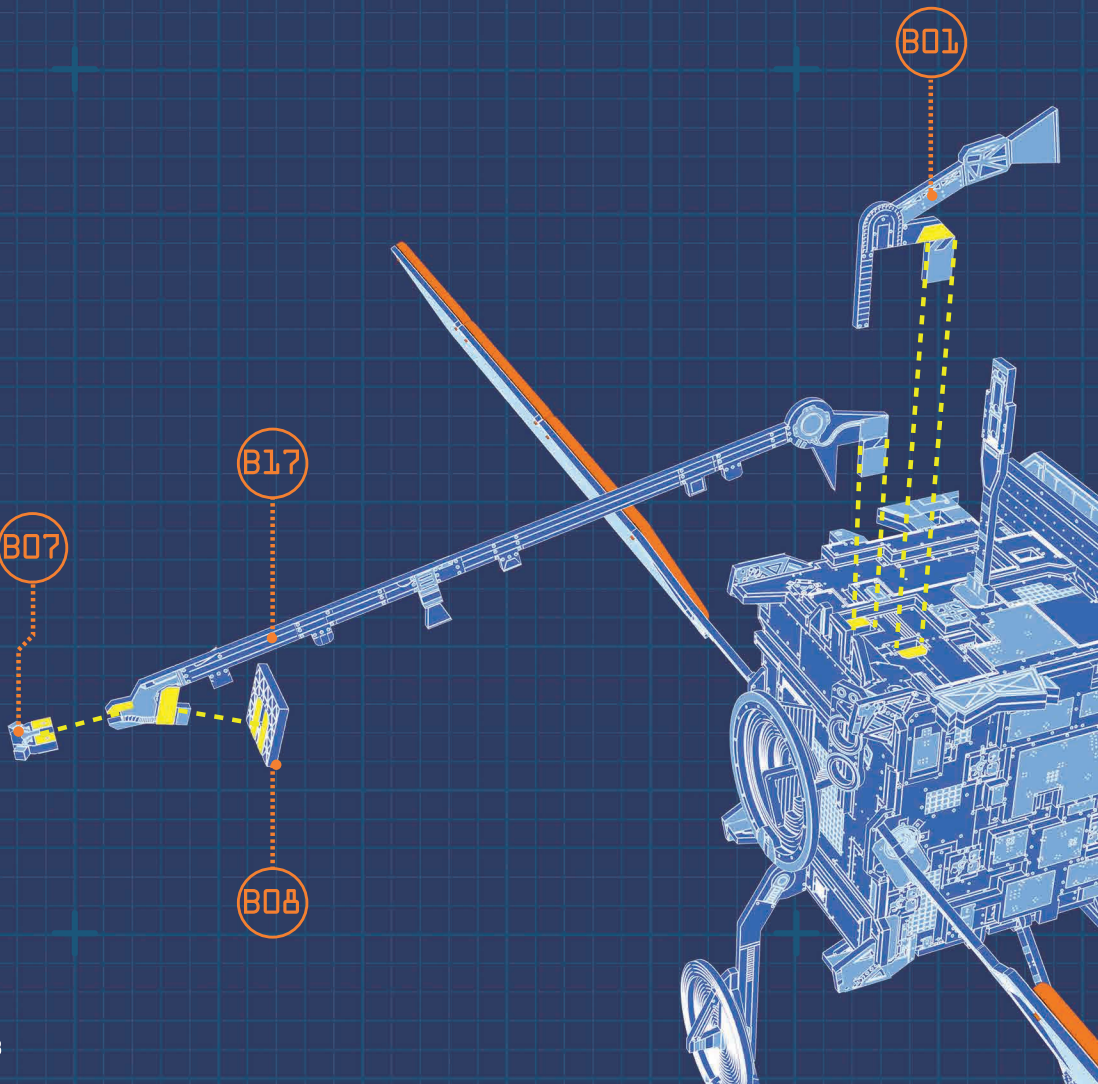


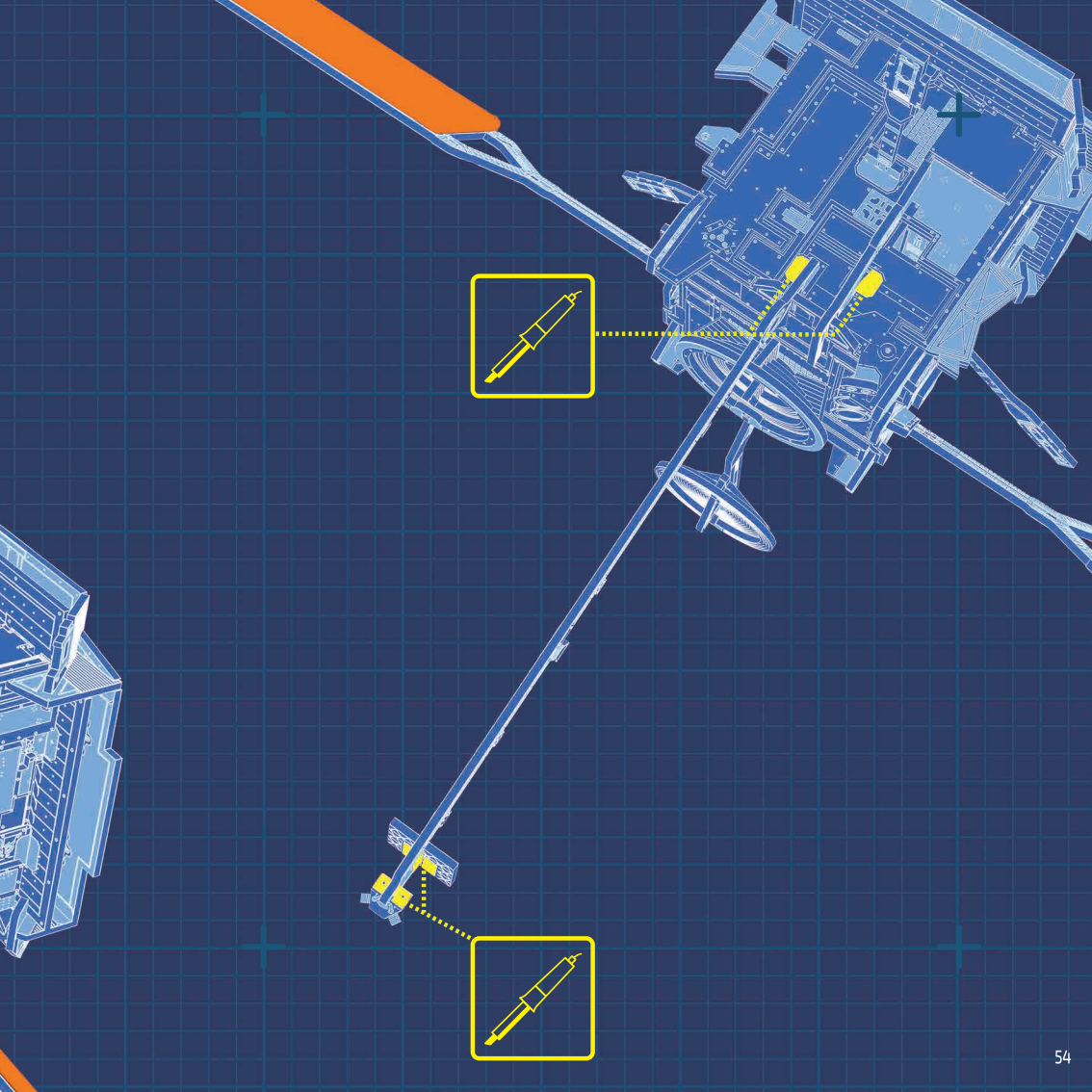
B07

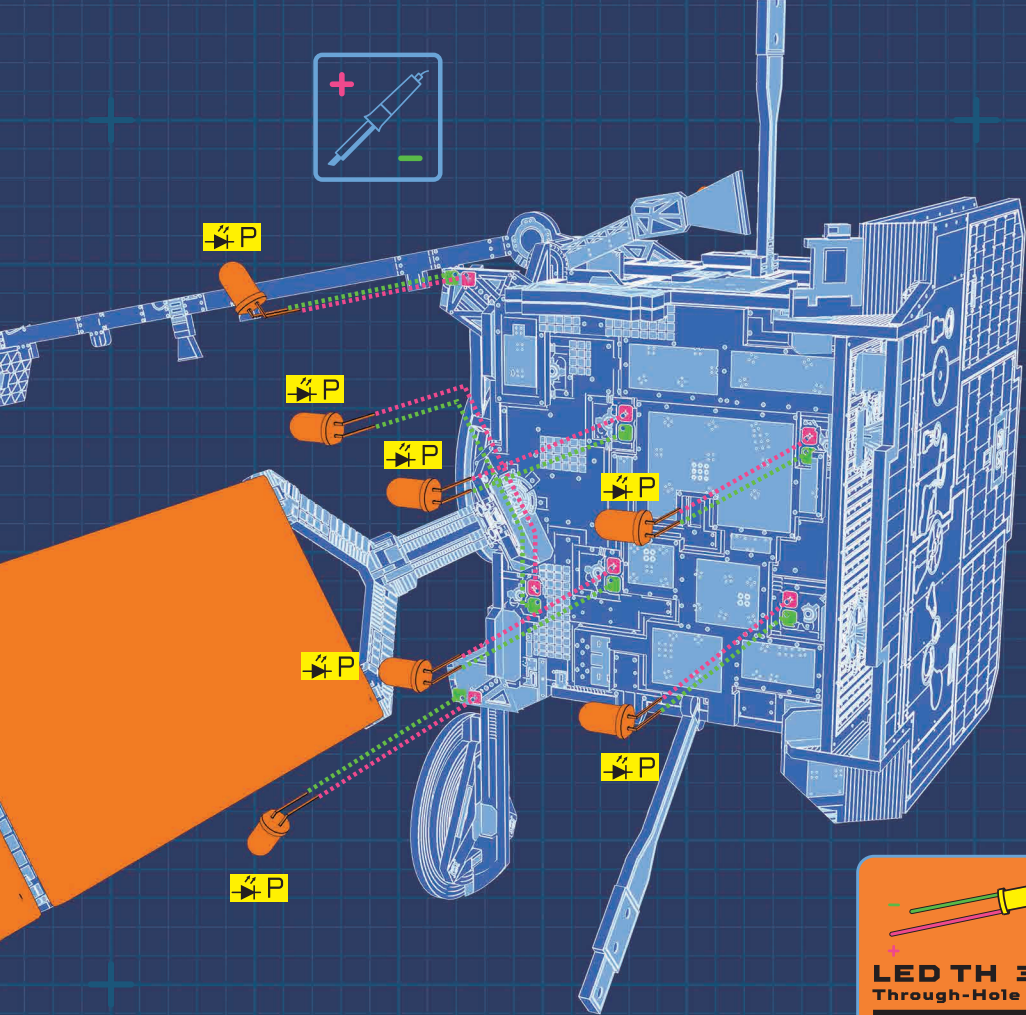
B1.7

B08

B01





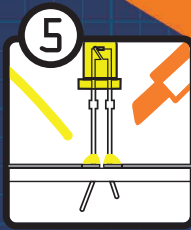
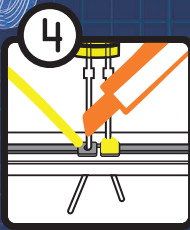
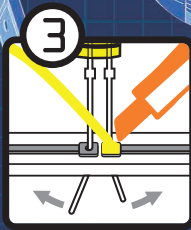
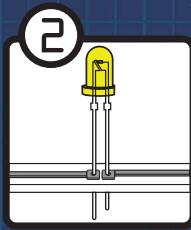
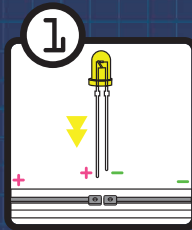
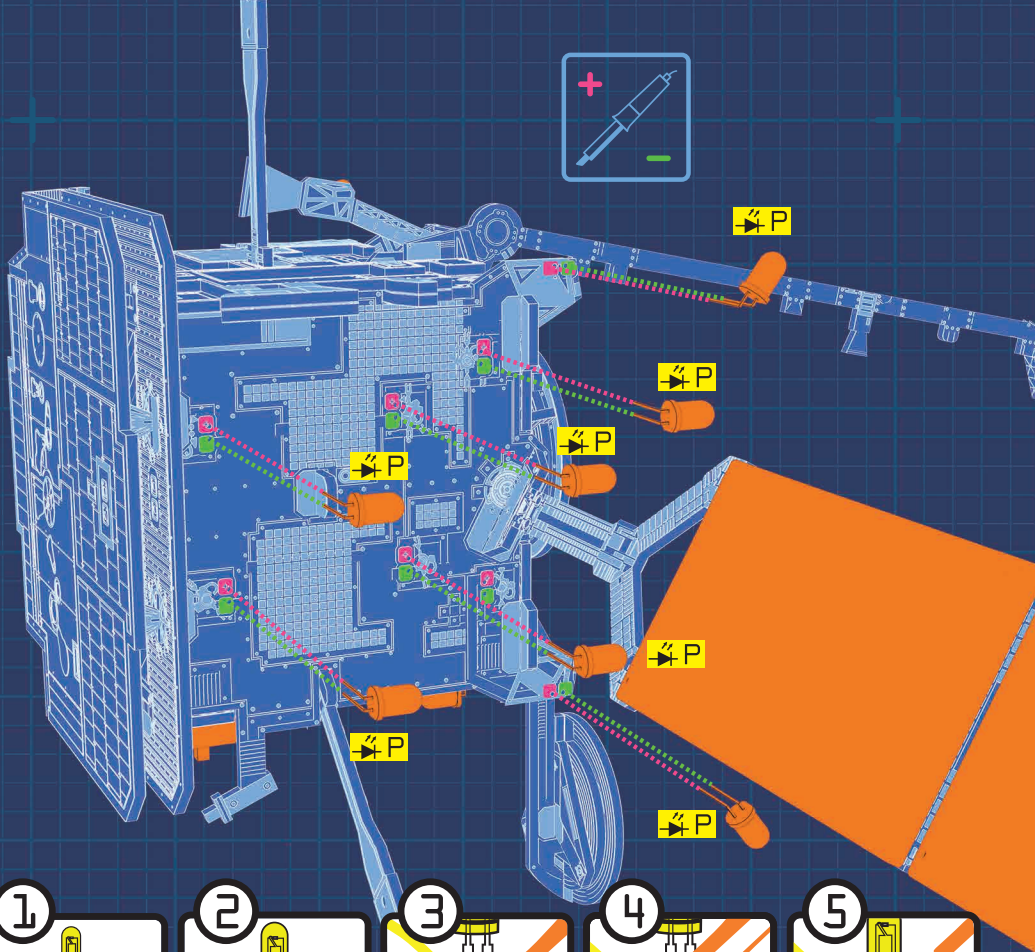


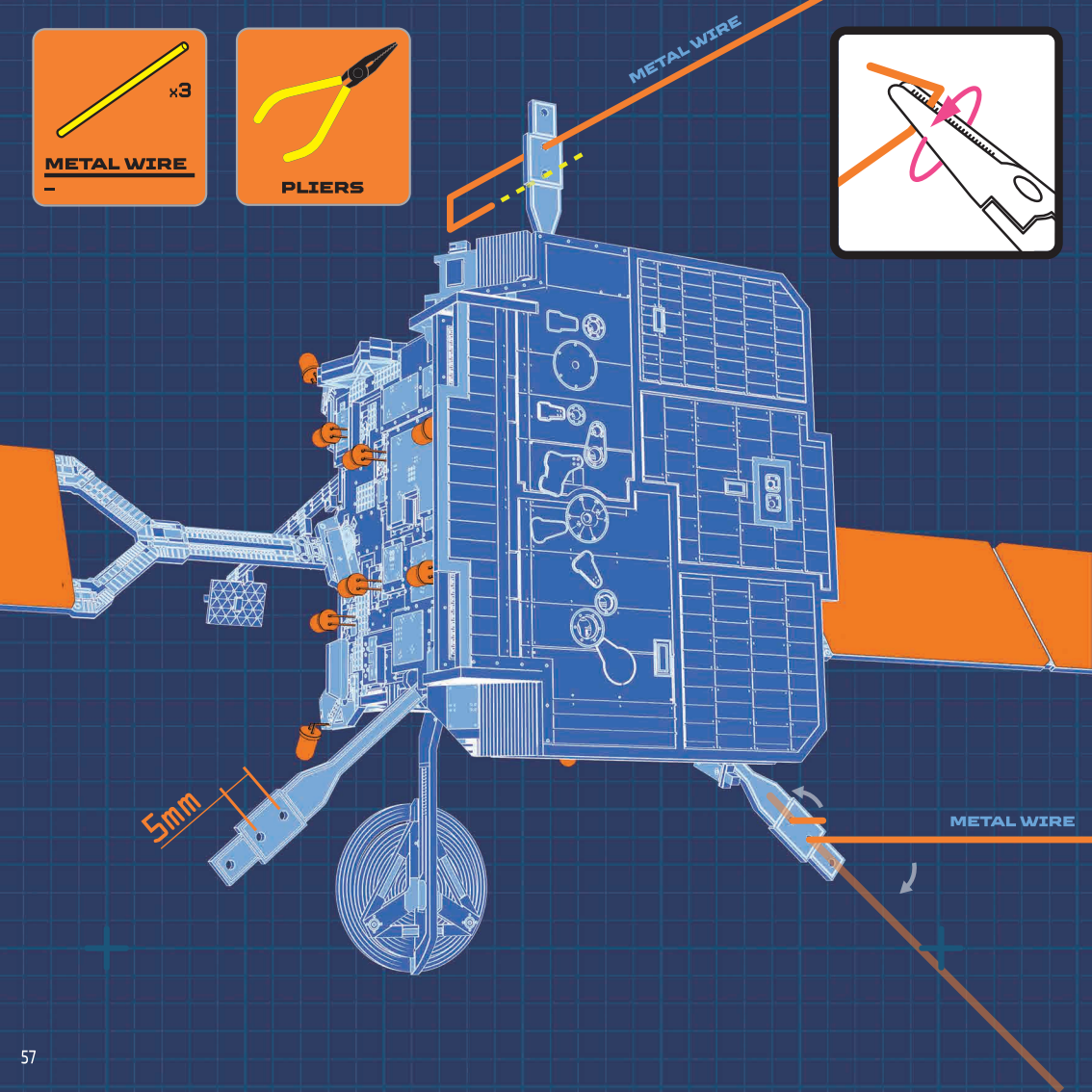
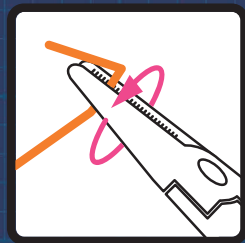
x15
LED TH 3mm
Through-Hole

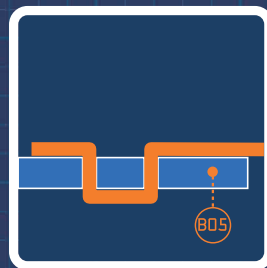
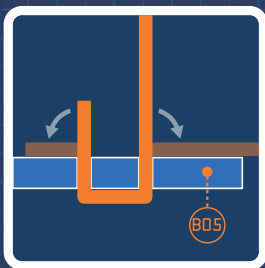
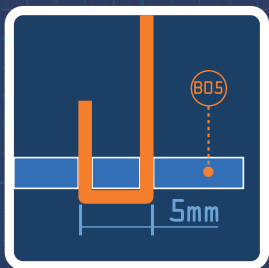
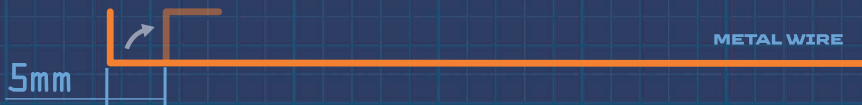
PURPLE

SCHEMATIC
IMAGE



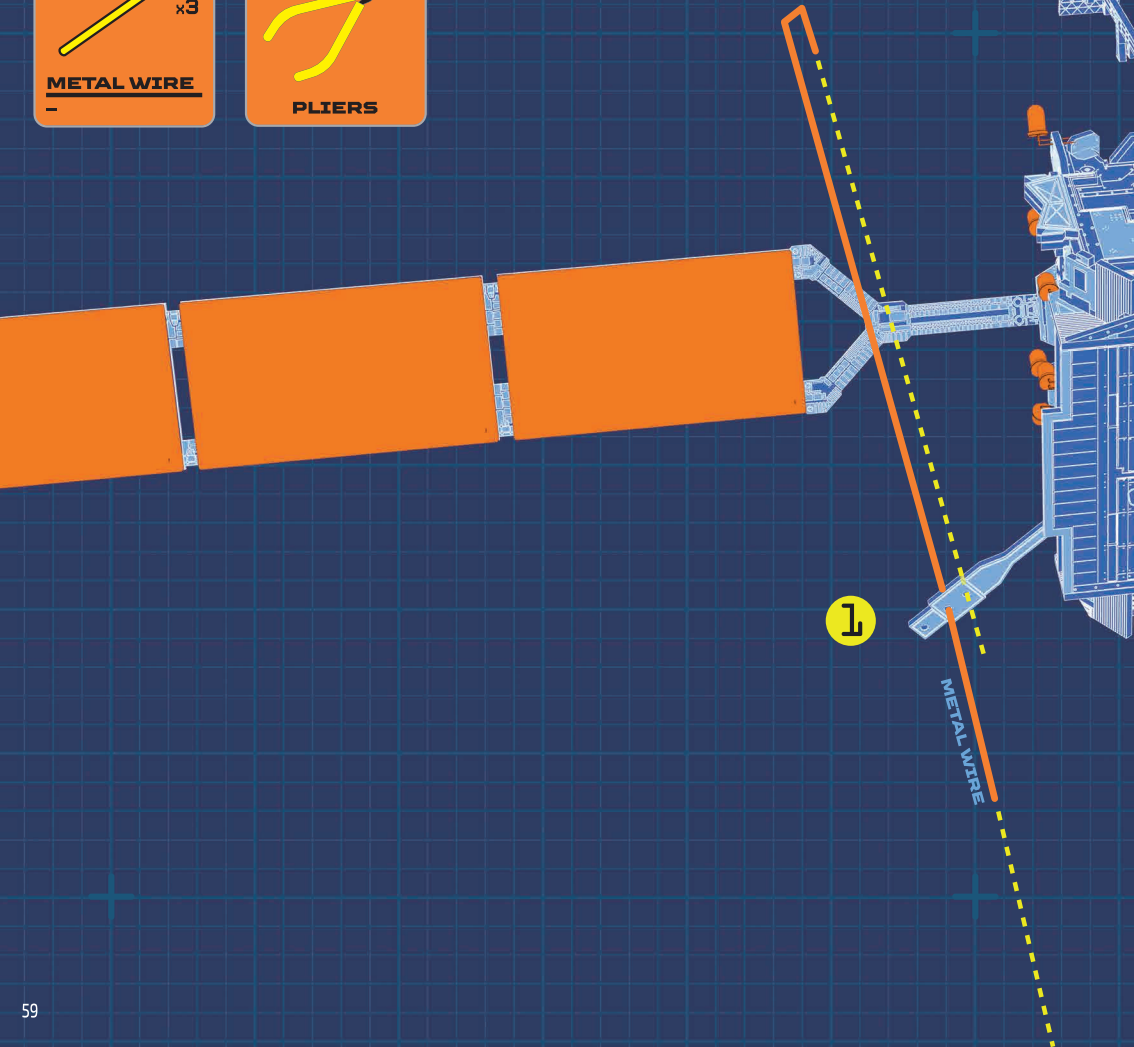


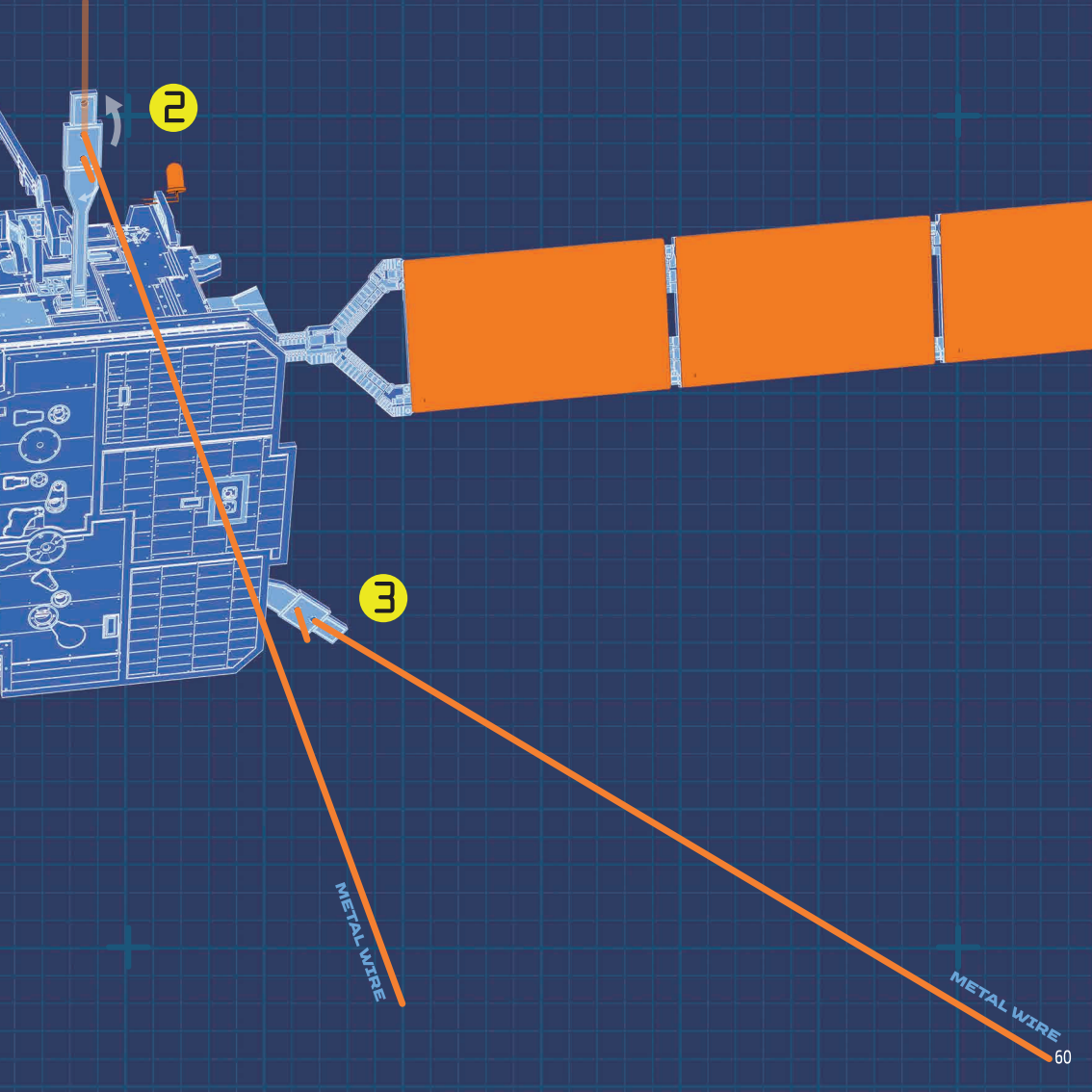




MORE INFO NEXT PAGE







2

3

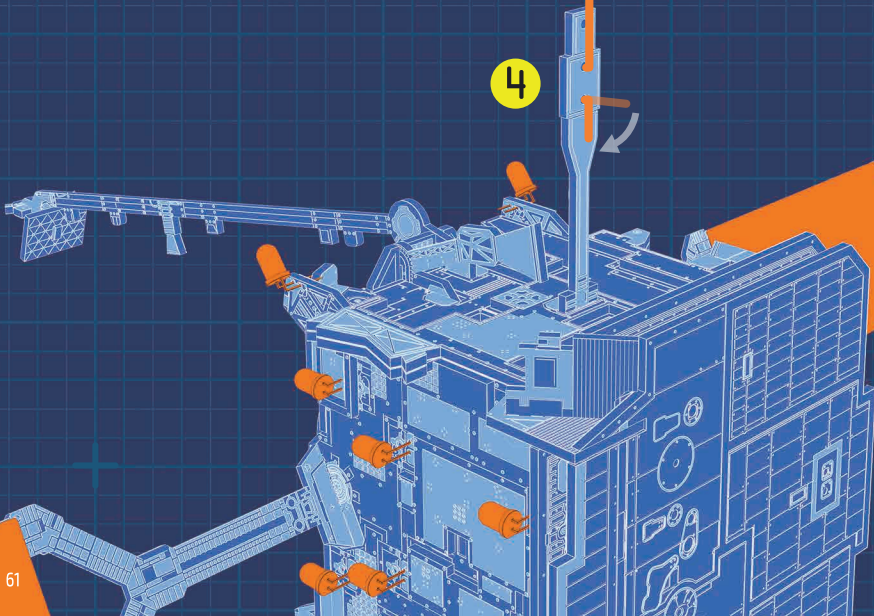
METAL WIRE

METAL WIRE



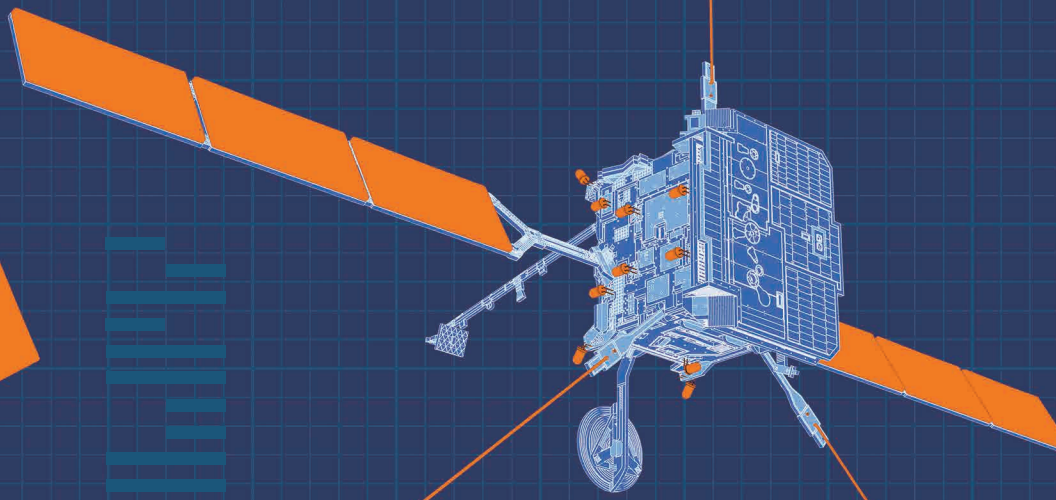
METAL WIRE

4

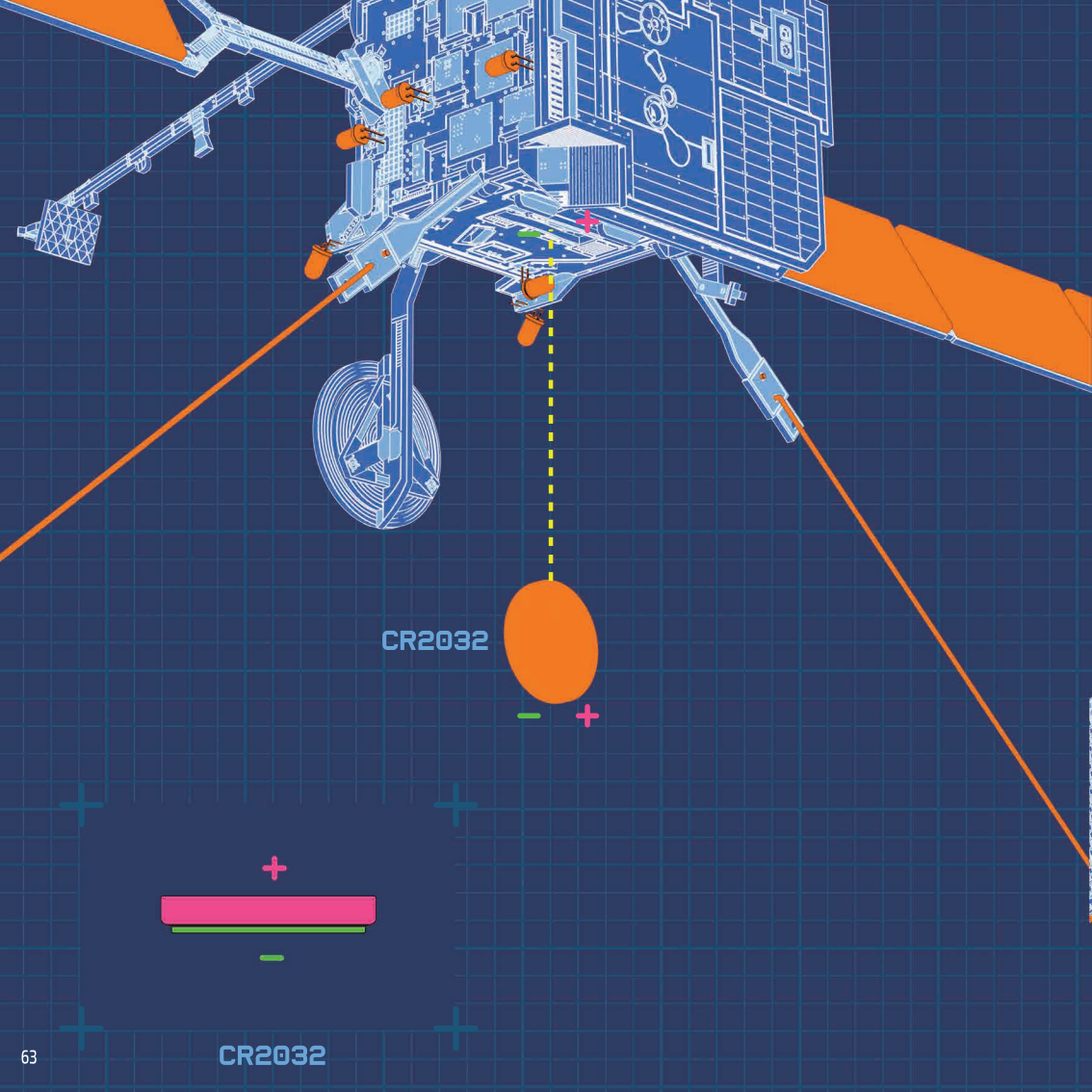


▶ KEEP SAFE

LIFT OFF



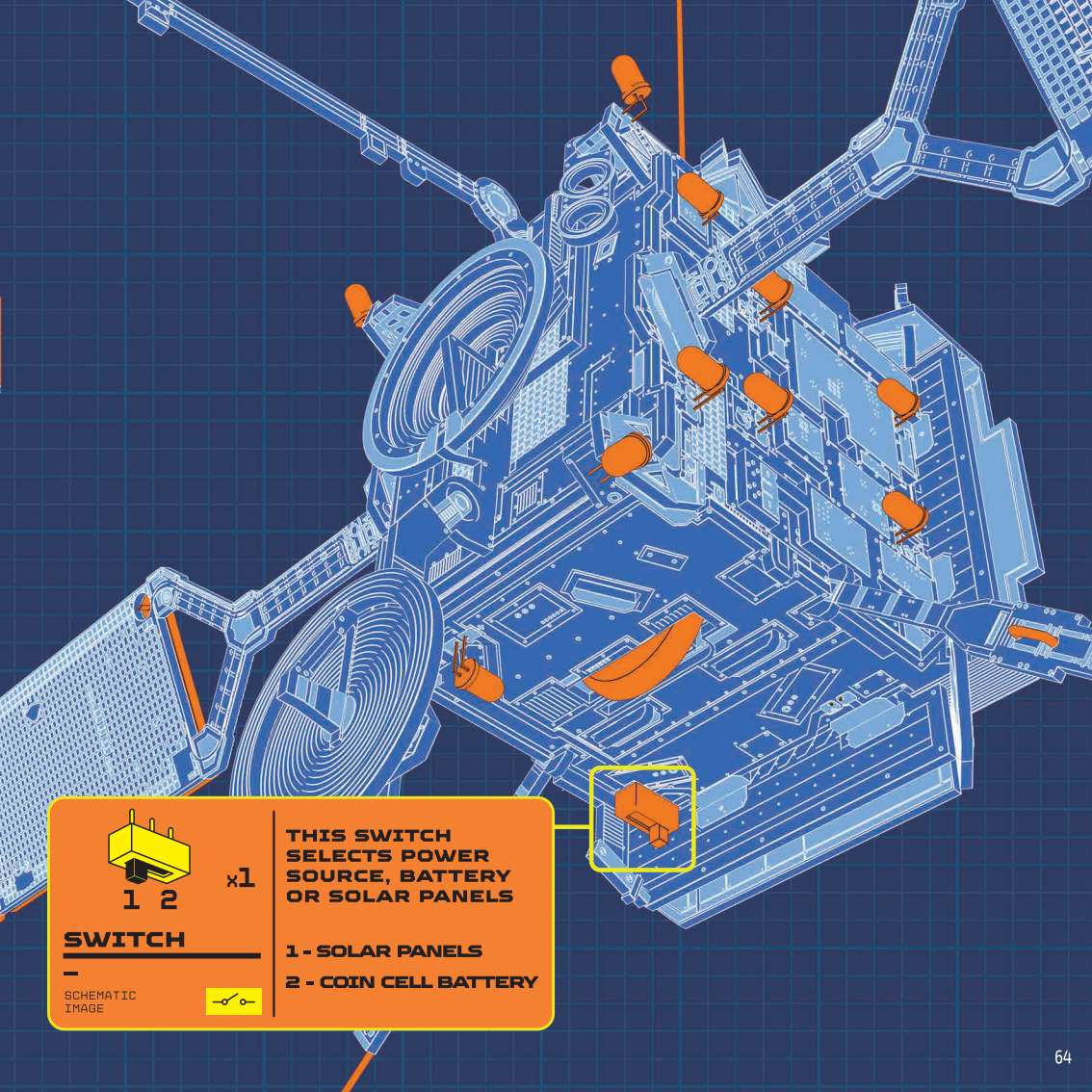
▶ KEEP SAFE



CR2032



CR2032



x1

SWITCH

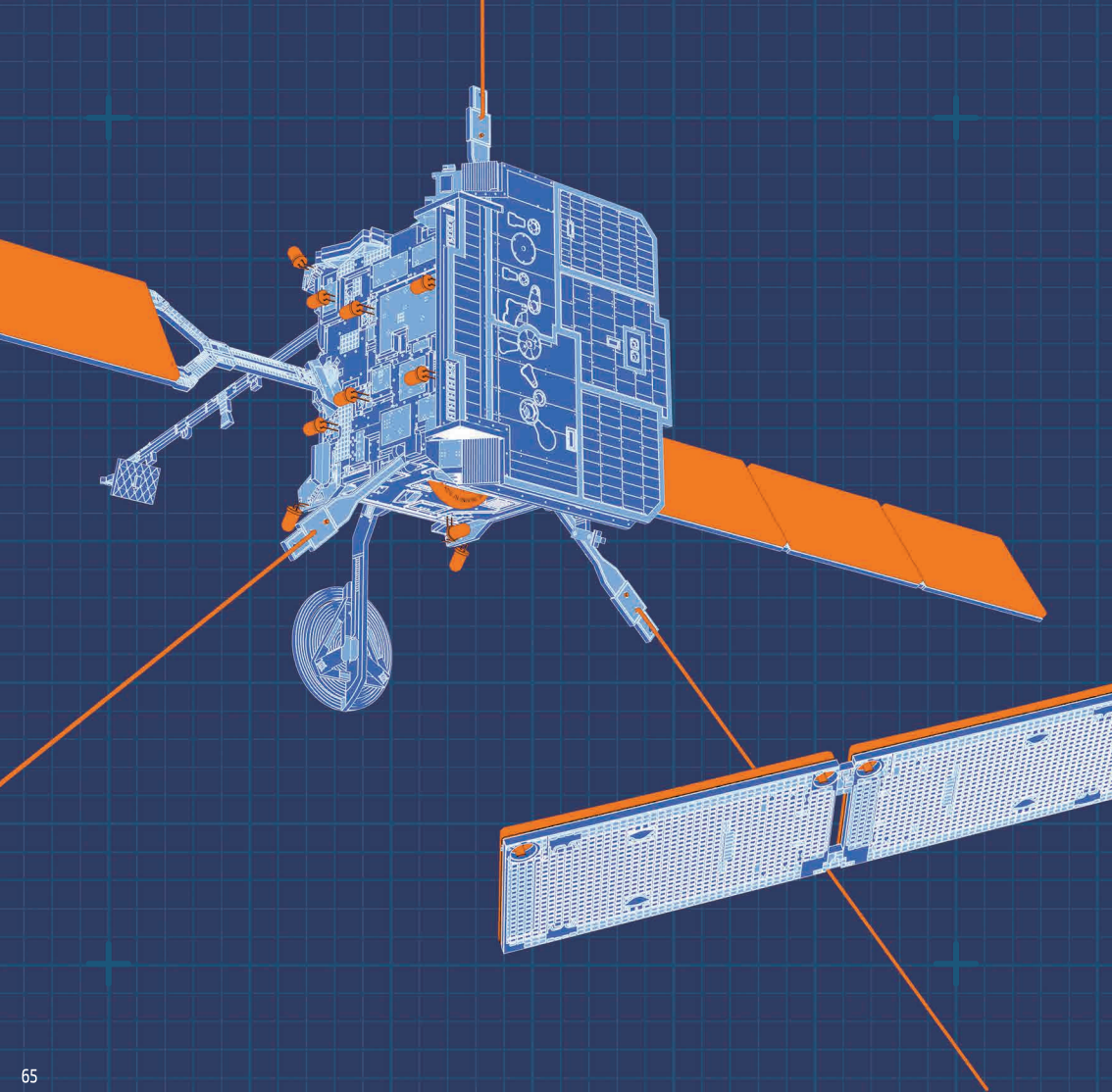
—
SCHEMATIC
IMAGE

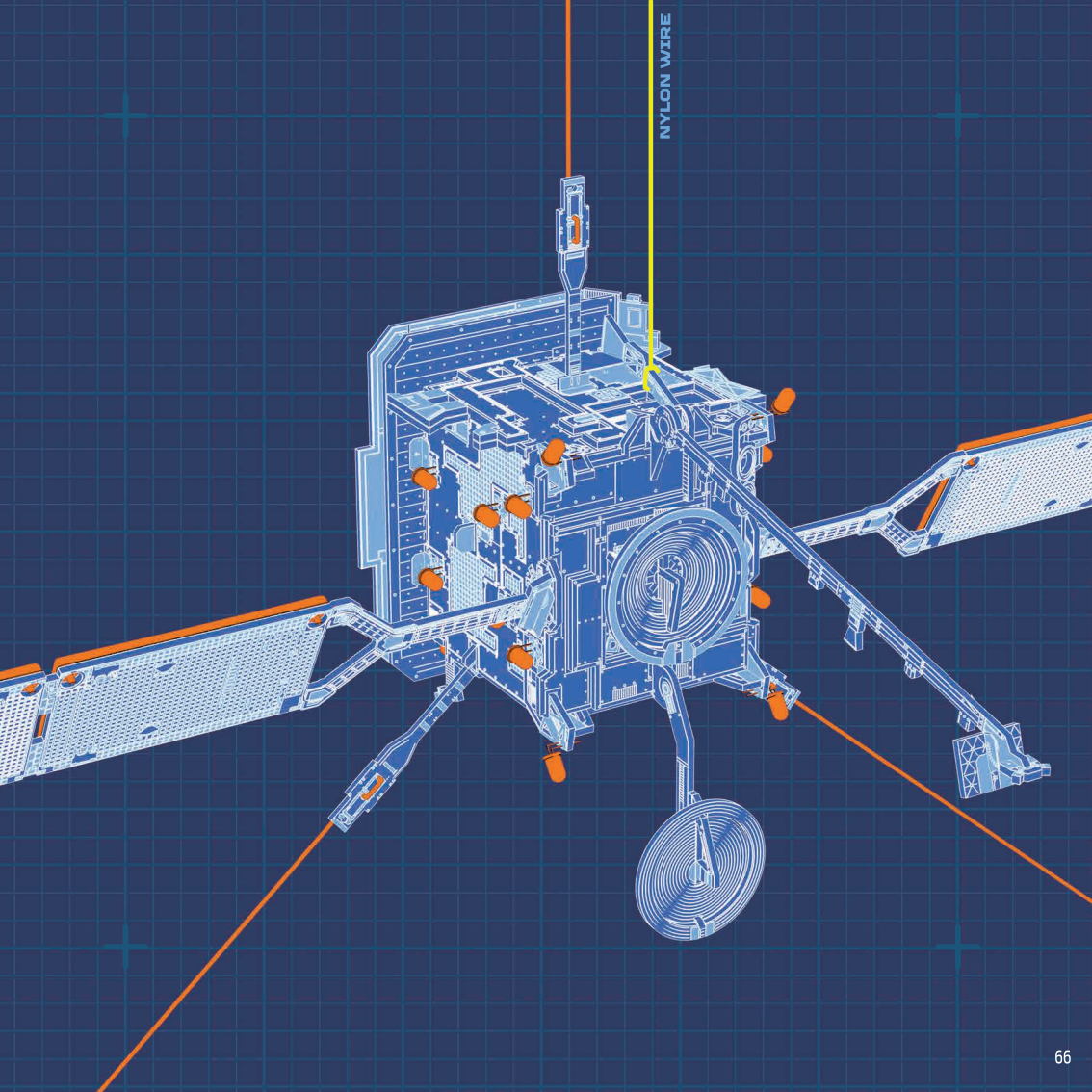


**THIS SWITCH
SELECTS POWER
SOURCE, BATTERY
OR SOLAR PANELS**

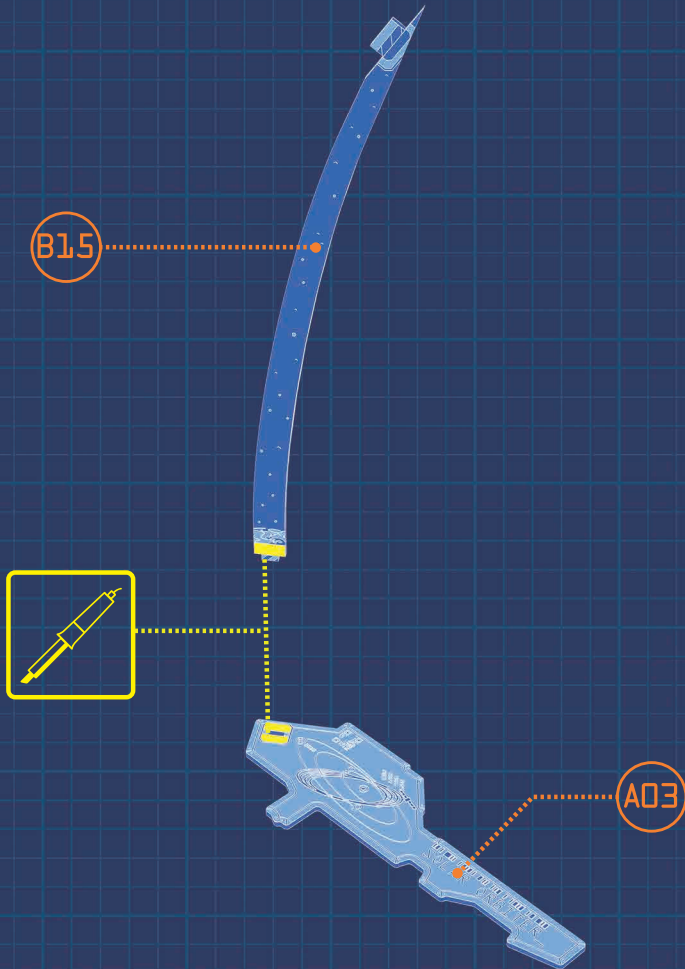
1 - SOLAR PANELS

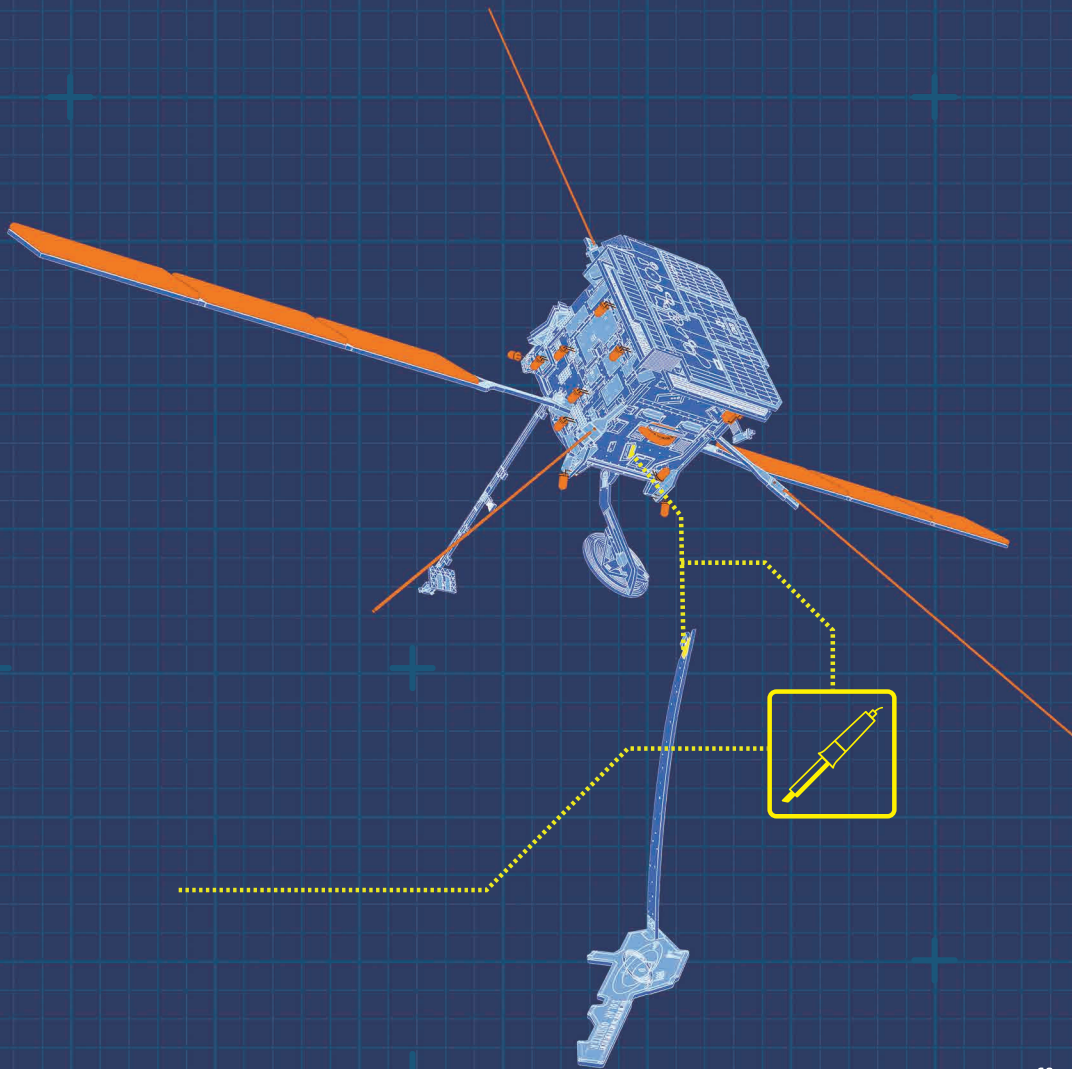
2 - COIN CELL BATTERY

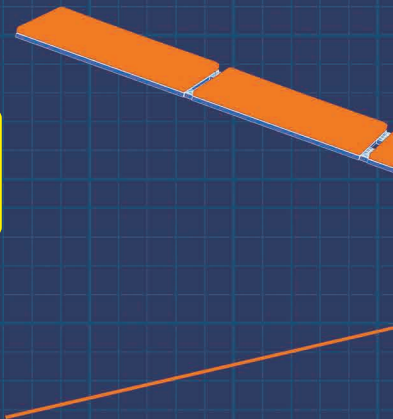
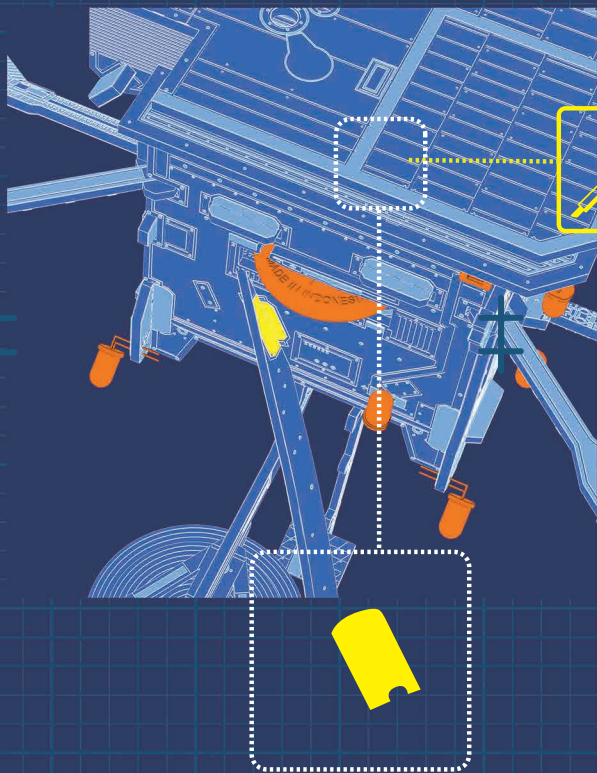




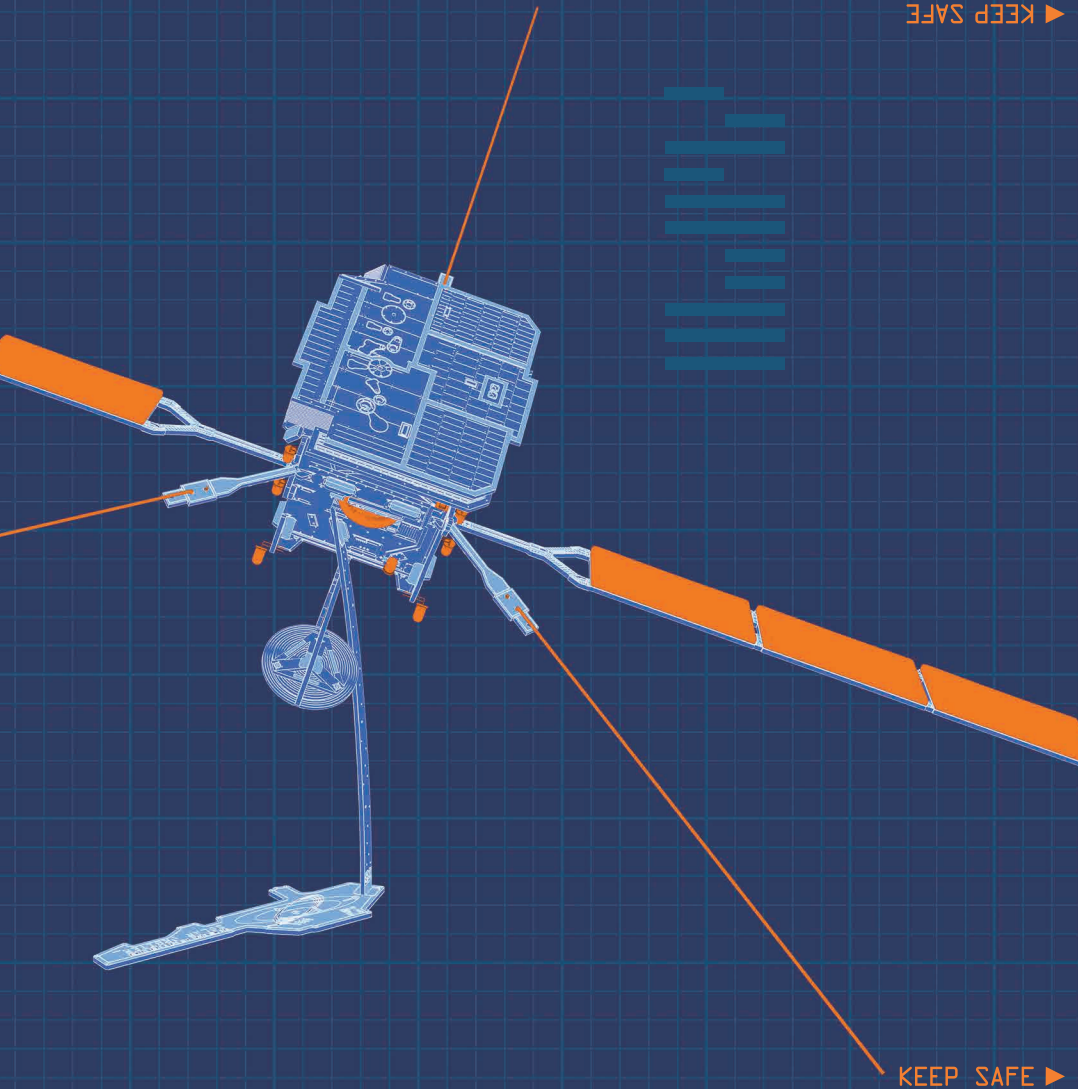
NYLON WIRE







▶ KEEP SAFE



THE
SATELLITE

LIFT OFF

▶ KEEP SAFE

KEEP SAFE



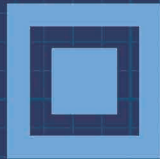
READ BEFORE FLIGHT



f/@ WE.ARE.GEEKCLUB

MORE FUN STUFF ON OUR WEBSITE !!!
A QUESTION ? SOME COMMENTS ?

WWW.GEEKCLUB.COM



KEEP SAFE