

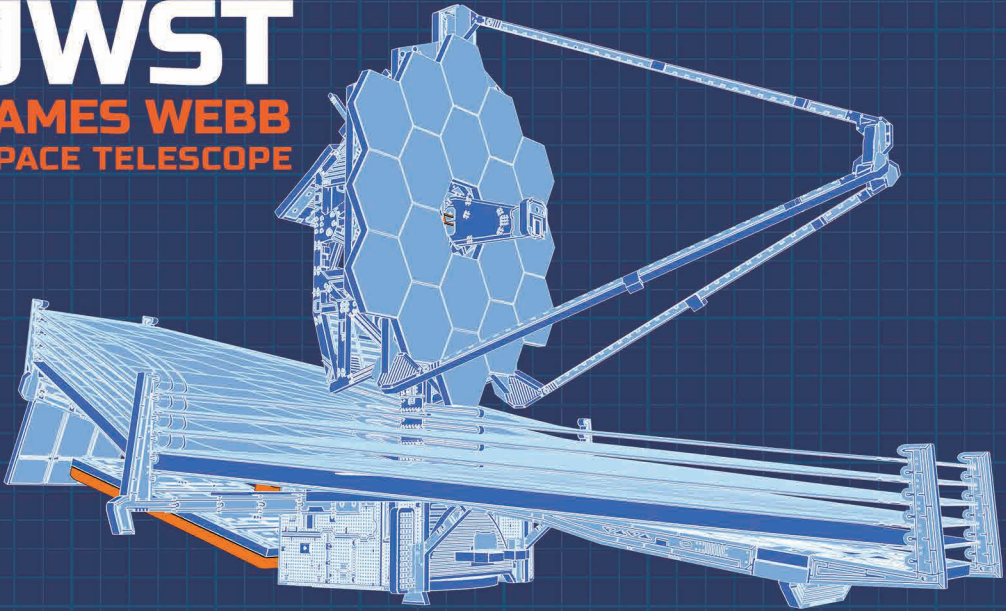
▶ KEEP SAFE



INSTRUCTION MANUAL

JWST

JAMES WEBB SPACE TELESCOPE



READ BEFORE FLIGHT



VIDEO
INSTRUCTIONS



GEEKCLUB.COM





SMALL COMPONENTS



CLIPPING ELEMENTS

RoHS

CERTIFIED



ADULT SUPERVISION



CHOKING HAZARD



LEAD FREE



THIS MIGHT HELP



FUN PCB



USING GLASSES WHEN SOLDERING

**ASSEMBLE AND SOLDER THIS KIT
IN A WELL-VENTILATED AREA**

READ BEFORE FLIGHT

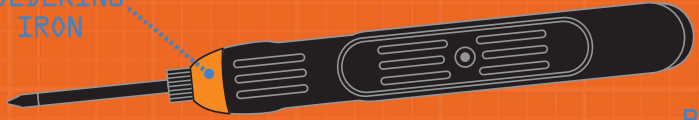


TOOLS YOU NEED



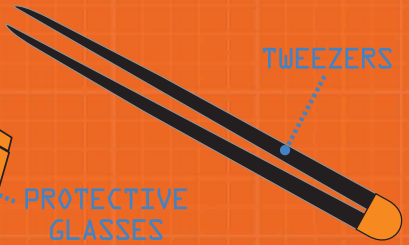
NOT INCLUDED

SOLDERING IRON

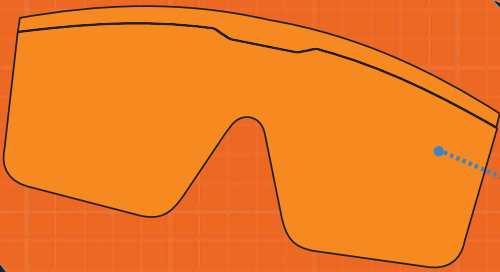


BATTERY

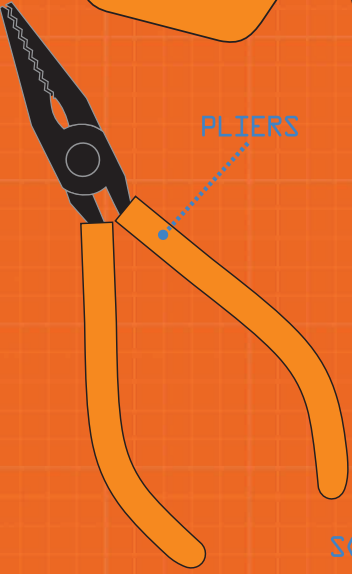
TWEEZERS



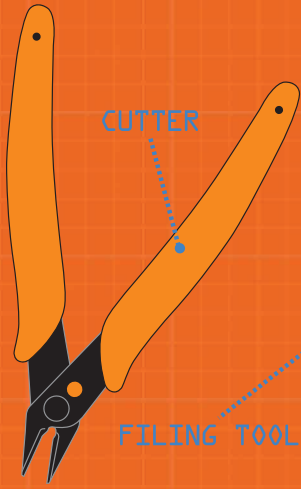
PROTECTIVE GLASSES



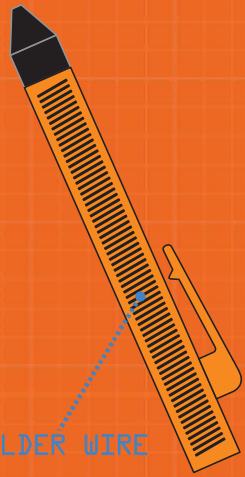
PLIERS



CUTTER



SOLDER WIRE

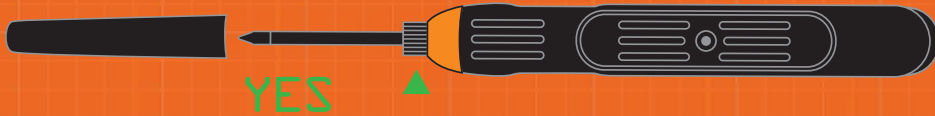
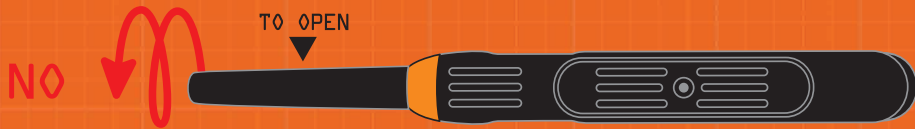


FILING TOOL

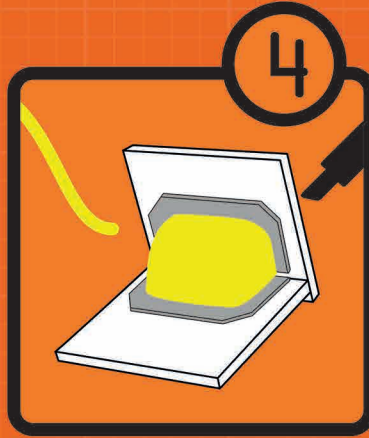
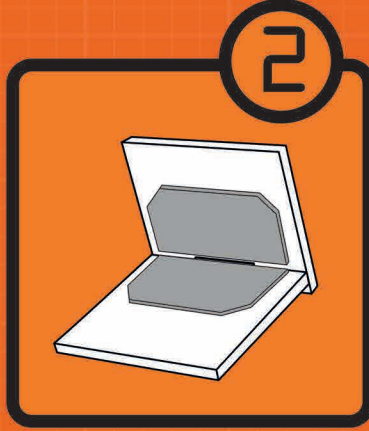
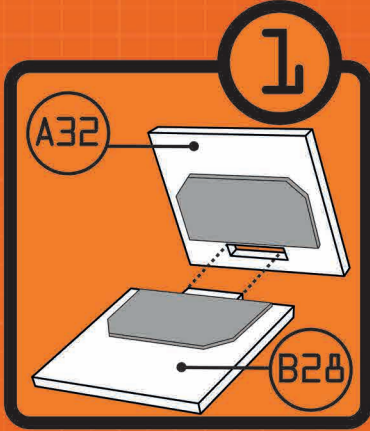


READ BEFORE FLIGHT

KEEP SAFE



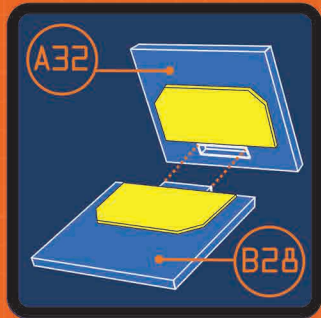
KEEP SAFE



NOTE:
FOR BEST QUALITY JOINTS, HEAT BOTH METAL PARTS WITH THE SOLDERING IRON IN QUICK SUCCESSION. ADD SOLDER BETWEEN THE METAL PARTS, DO NOT USE SOLDER ON THE ENTIRE PAD.

HOW TO READ THE INSTRUCTIONS_

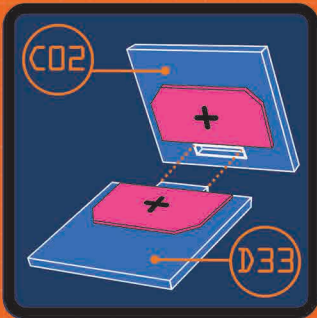
READ BEFORE FLIGHT



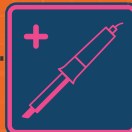
YELLOW PADS



SOLDER YELLOW ELEMENTS TOGETHER



PINK PADS



SOLDER PINK ELEMENTS MARKED WITH + TOGETHER



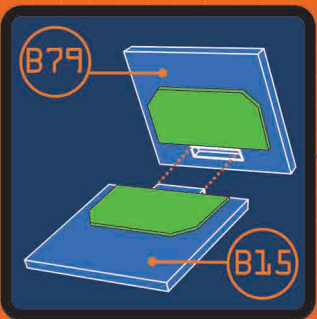
OPTIONAL SOLDERING YOU CAN SOLDER THE LED PINS FOR EXTRA GRIP



SOLDER + WITH + AND - WITH -



SOLDER PINK ELEMENTS MARKED WITH - TOGETHER



GREEN PADS



OPTIONAL SOLDERING YOU CAN SOLDER THE LED PINS FOR EXTRA GRIP

KEEP SAFE ▶

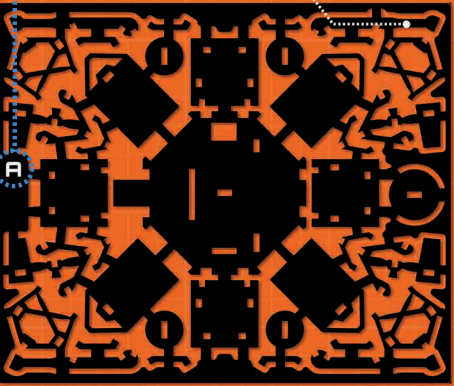
EACH PART IS MARKED WITH A LETTER AND NUMBER

THIS CODE INDICATES THE PART'S LOCATION

THE LETTER CORRESPONDS TO THE BOARD. THE NUMBER SHOWS ITS LOCATION ON SAID BOARD

A32

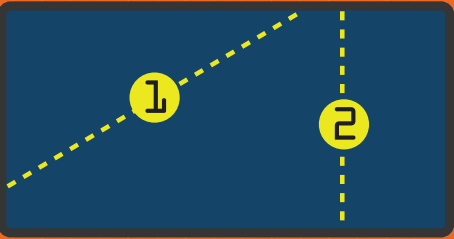
B28



BOARD A



BOARD B



PROCEED STEP BY STEP FOLLOWING AN ASCENDING ORDER

1 ▶ 2 ▶ 3 ▶ ...

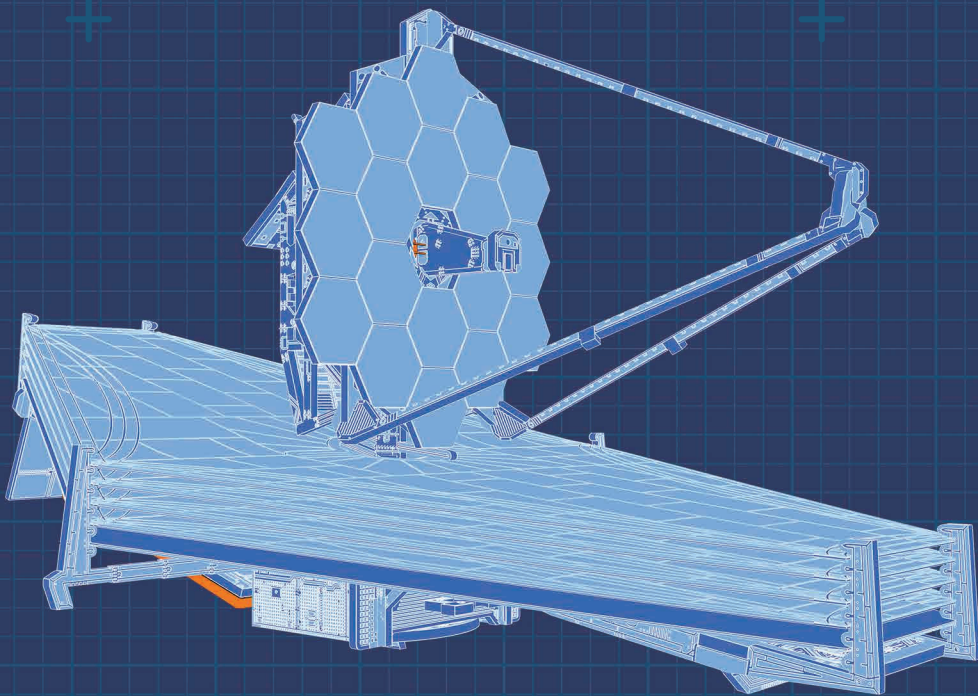
READ BEFORE FLIGHT

KEEP SAFE ▶



JAMES WEBB SPACE TELESCOPE JWST







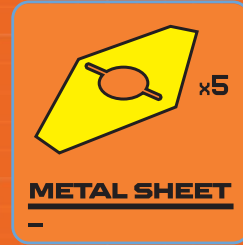
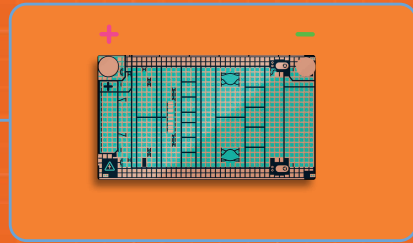
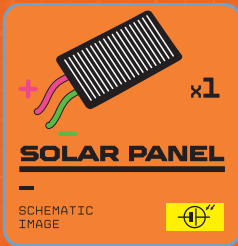
**MORE TIPS AND DETAILS
IN OUR ONLINE
INSTRUCTION VIDEO**



WWW.GEEKCLUB.COM



COMPONENTS AND OTHER ELEMENTS_



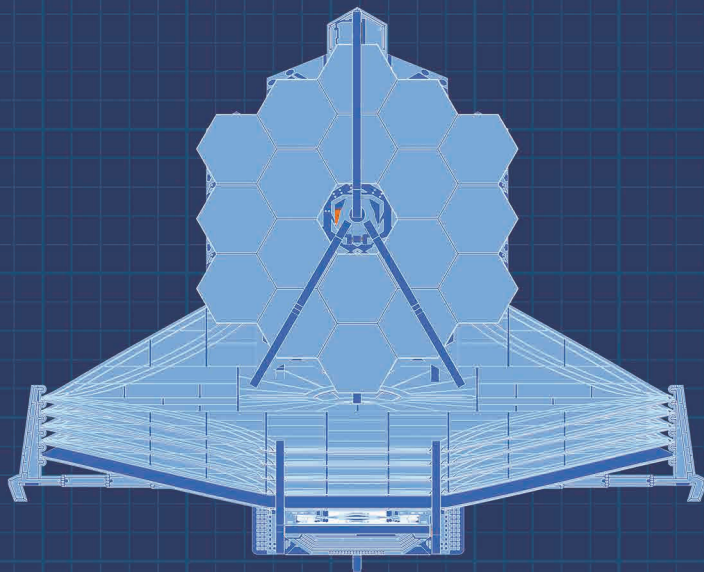
NOTE:

1. DON'T WORRY IF YOU LOSE A FEW LEDS, WE'VE GOT YOU COVERED - THERE ARE EXTRA DIODES IN THE KIT
2. MAKE SURE TO FOLLOW THE POLARITY (PINK) AND (GREEN) WHEN INSTALLING COMPONENTS. OTHERWISE, YOUR MODEL WILL NOT WORK.

◀ KEEP SAFE

FRONT

READ BEFORE FLIGHT



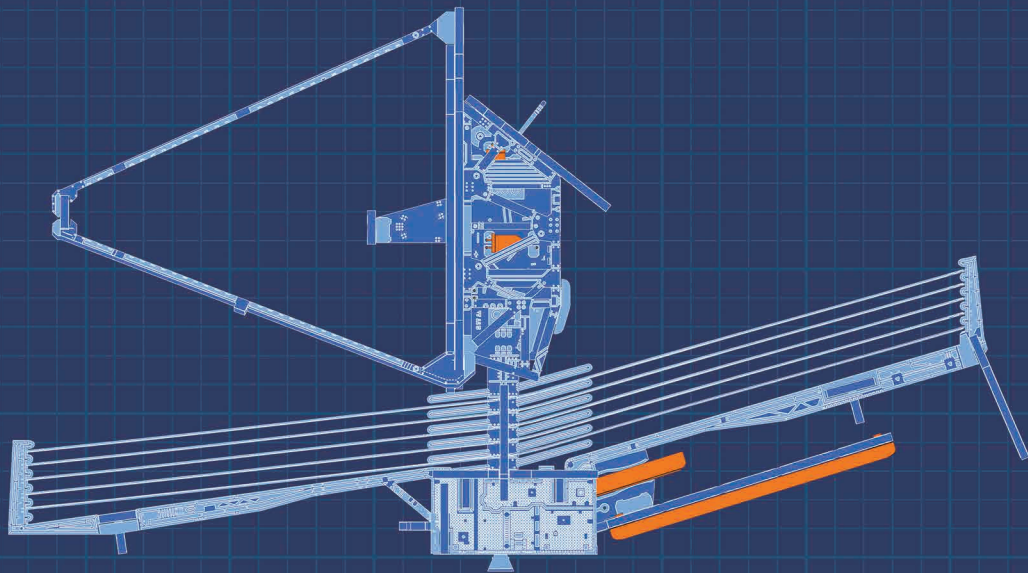
3.9"
100 MM

4.9"
125 MM

◀ KEEP SAFE

▶ KEEP SAFE

RIGHT



7.1"
180 MM

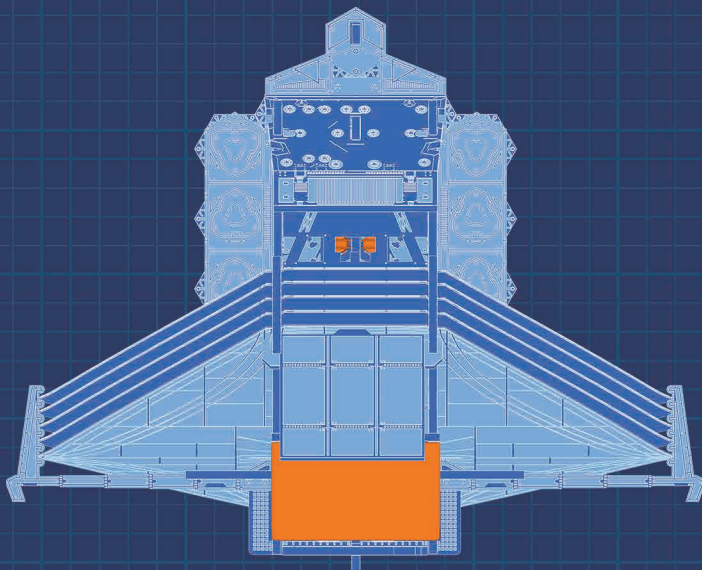
READ BEFORE FLIGHT

▶ KEEP SAFE

◀ KEEP SAFE

BACK

READ BEFORE FLIGHT



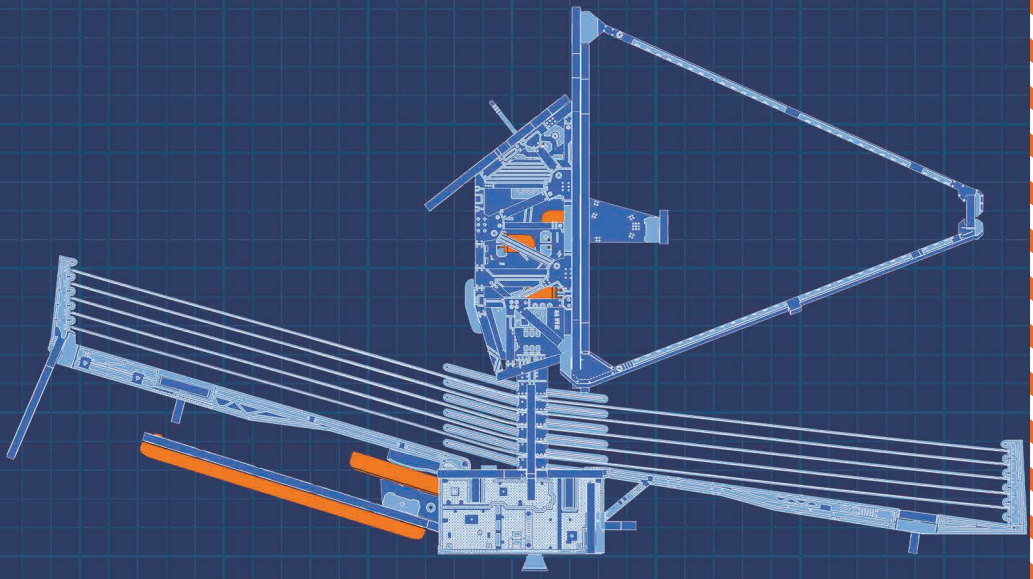
3.9"
100 MM

4.9"
125 MM

◀ KEEP SAFE

▶ KEEP SAFE

LEFT



7.1"
180 MM



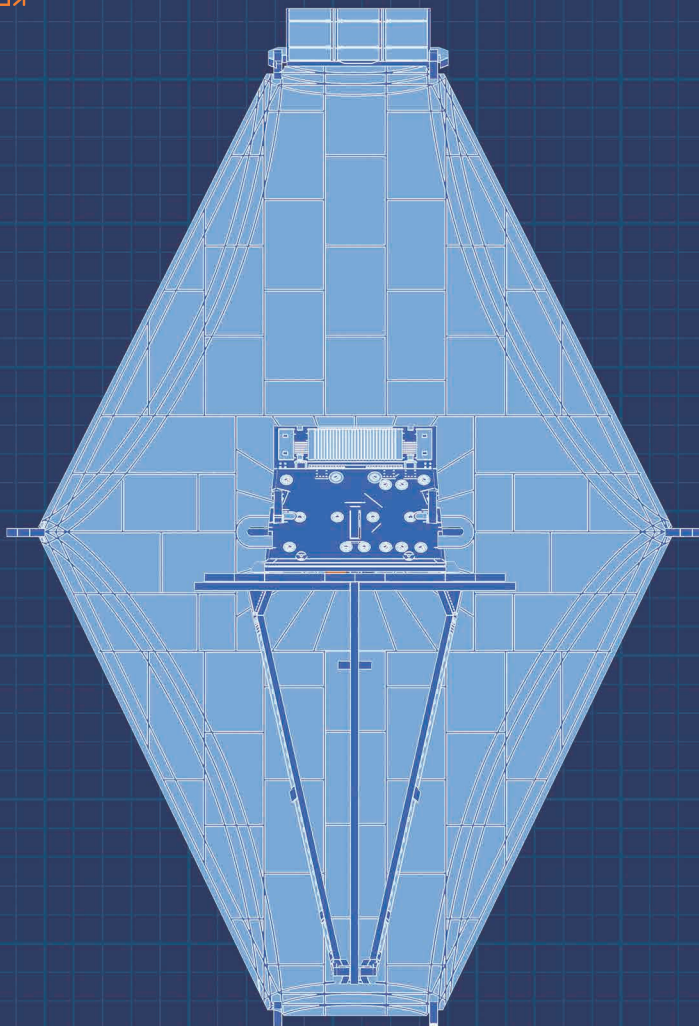
▶ KEEP SAFE

READ BEFORE FLIGHT

KEEP SAFE

TOP

READ BEFORE FLIGHT



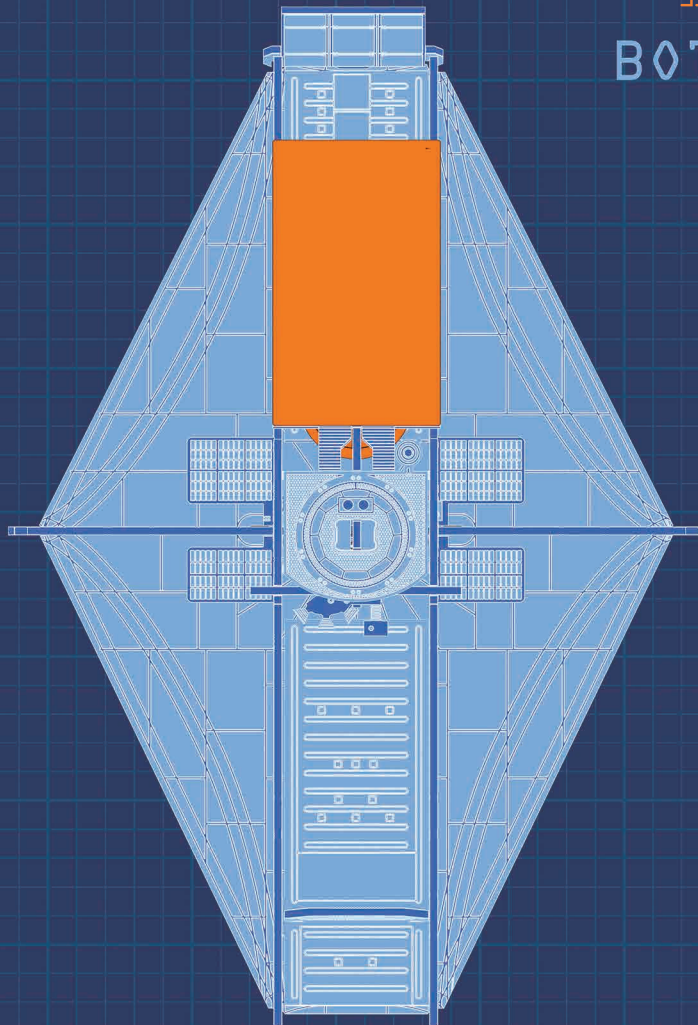
4.9"
125 MM



KEEP SAFE

▶ KEEP SAFE

BOTTOM



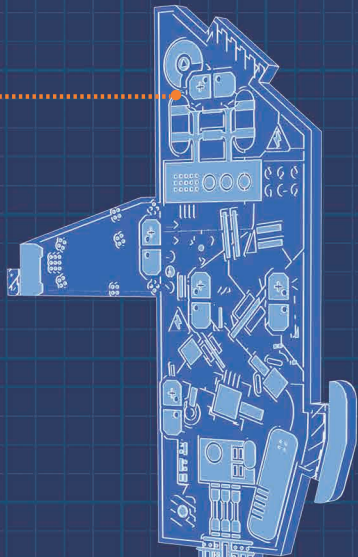
4.9"
125 MM



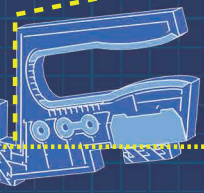
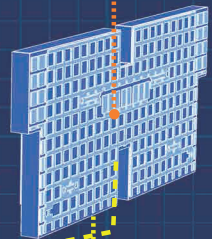
READ BEFORE FLIGHT

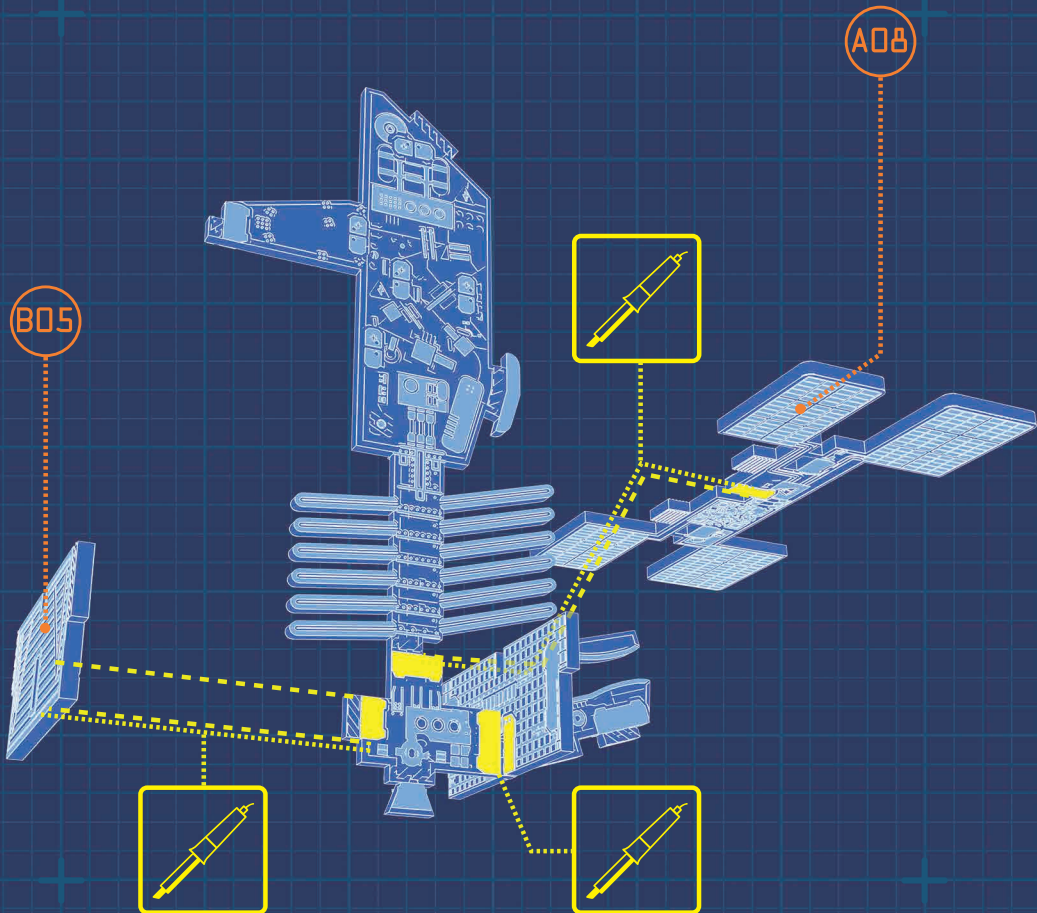
▶ KEEP SAFE

A11



B04





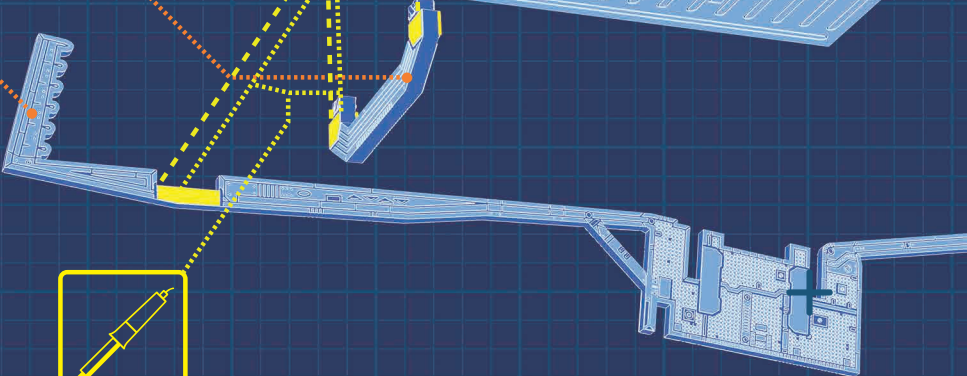
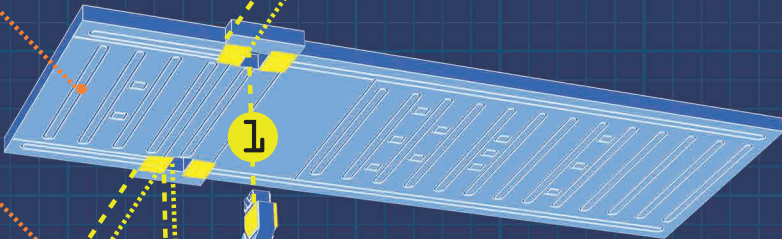
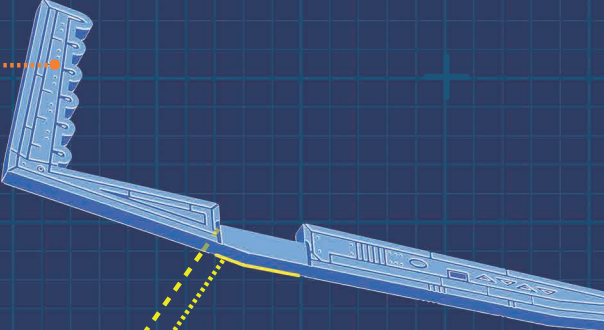
A03

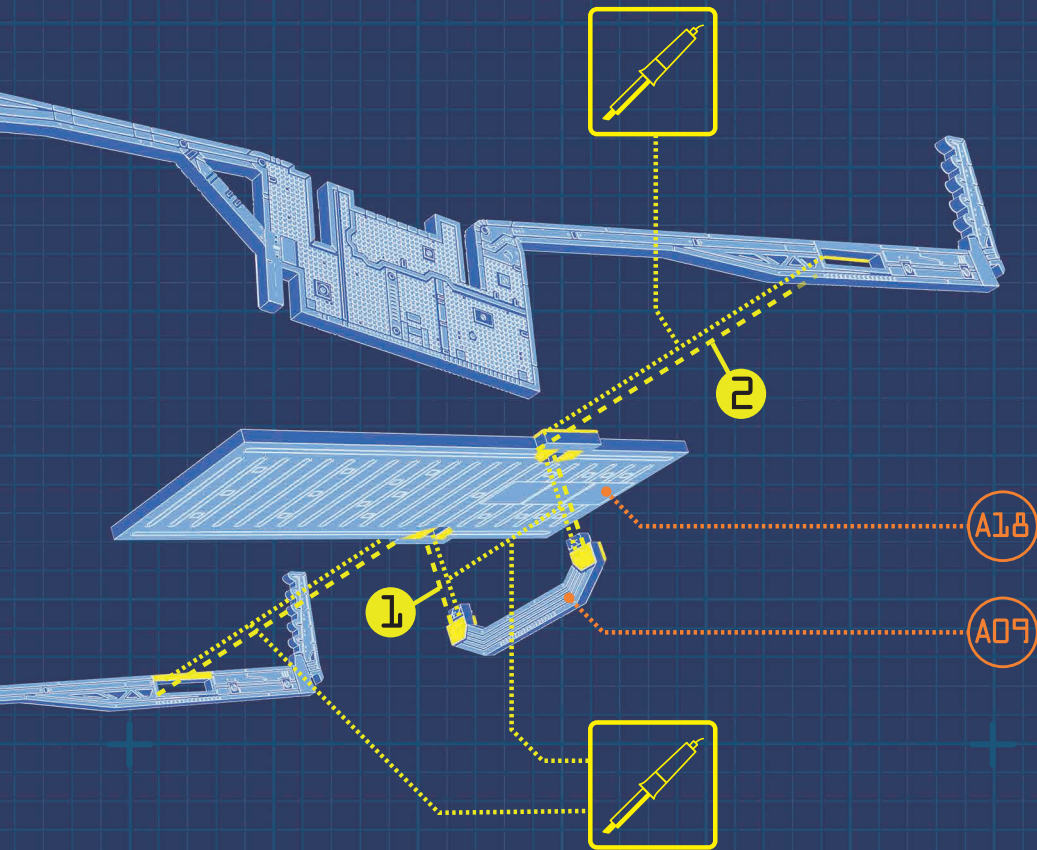


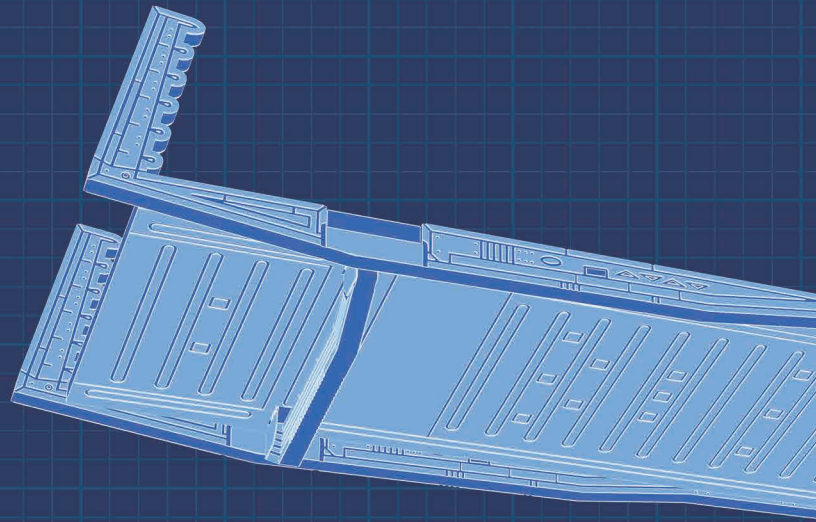
A17

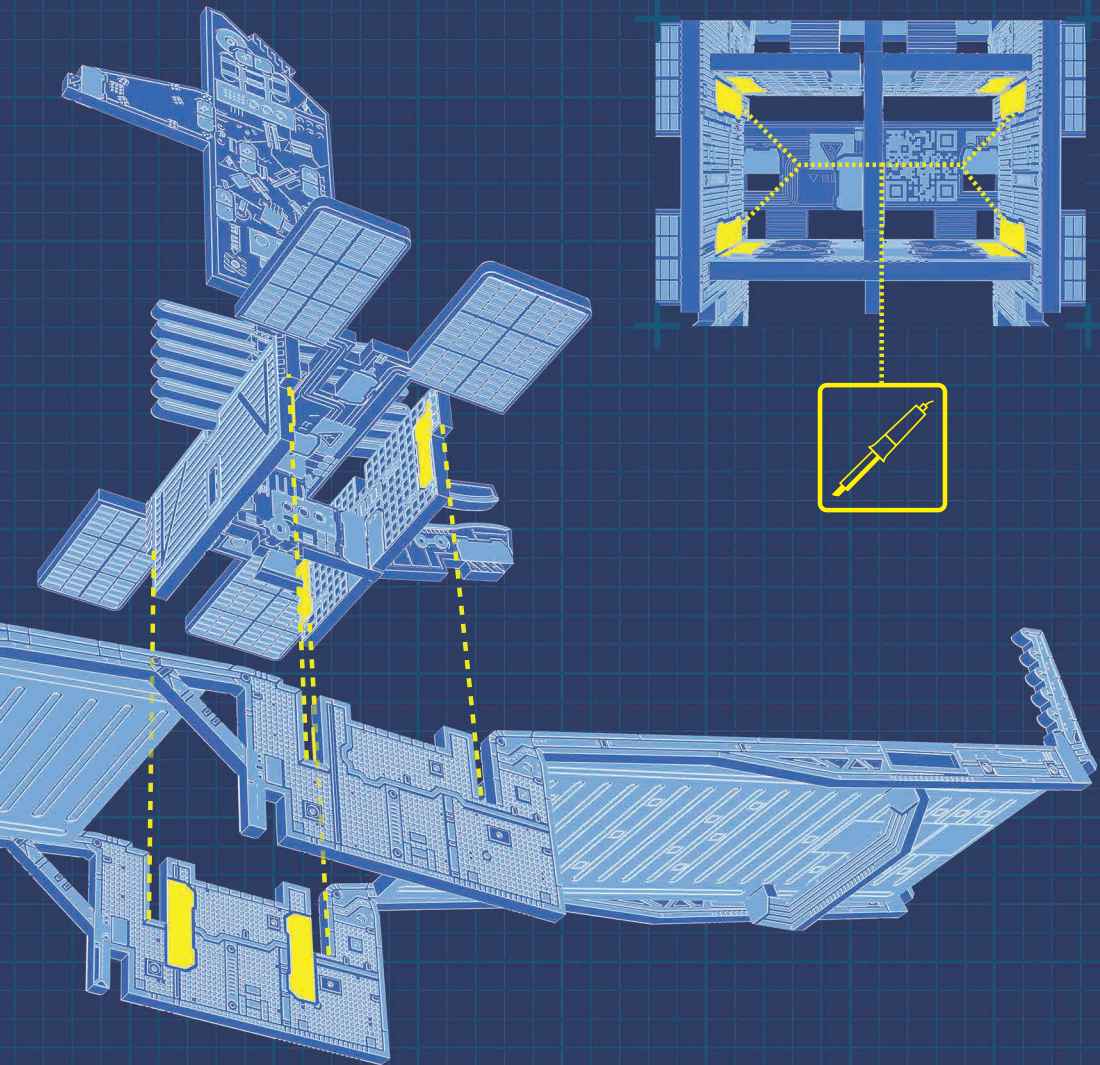
A09

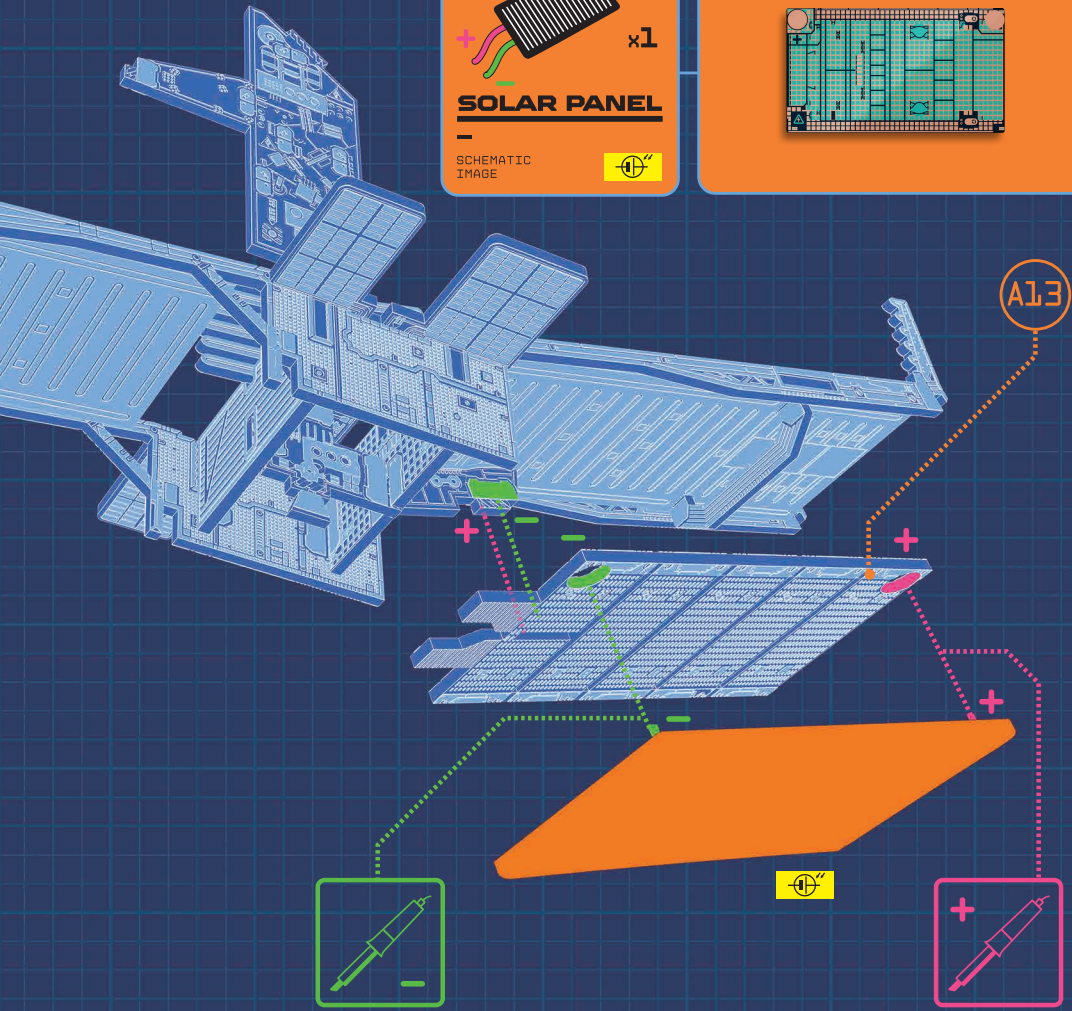
A12

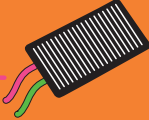











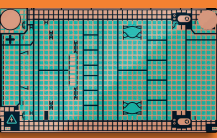


 x1

SOLAR PANEL

 SCHEMATIC IMAGE



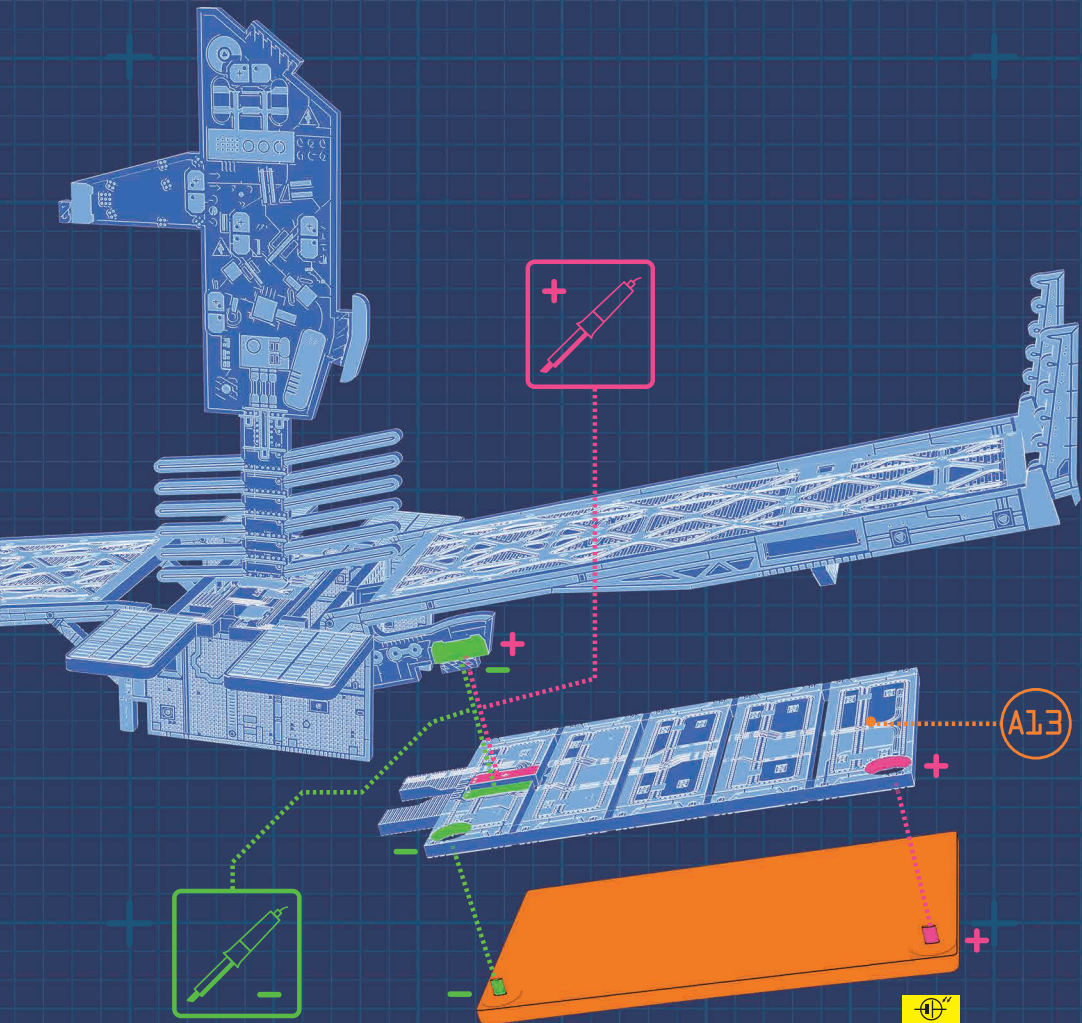


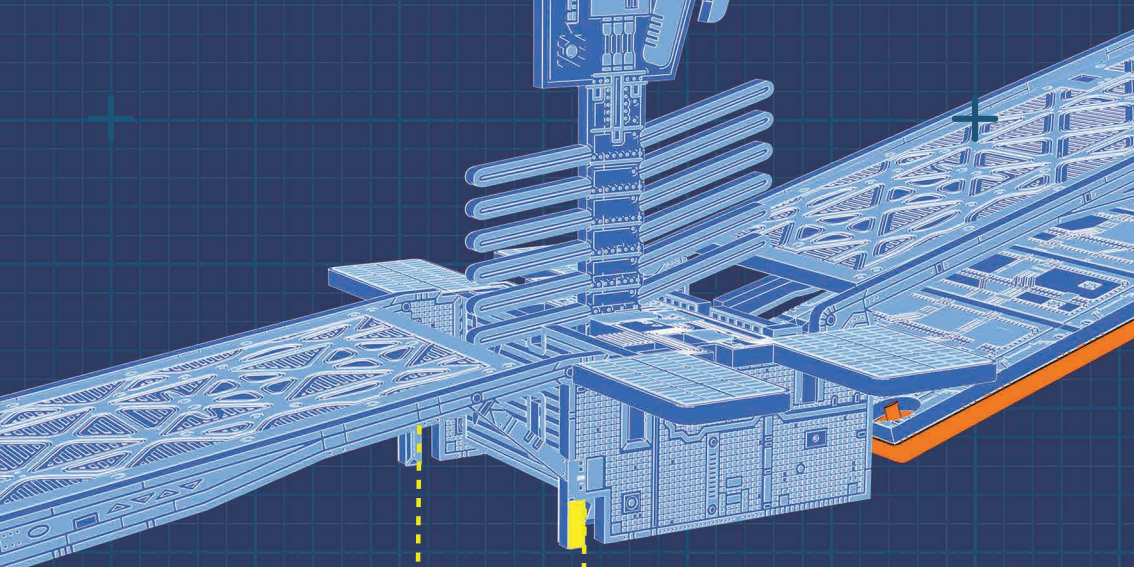
A1.3





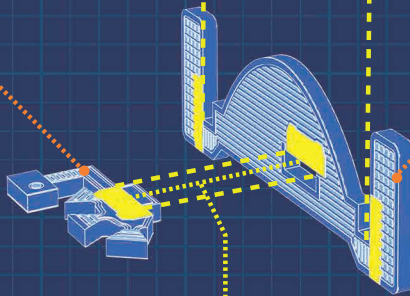


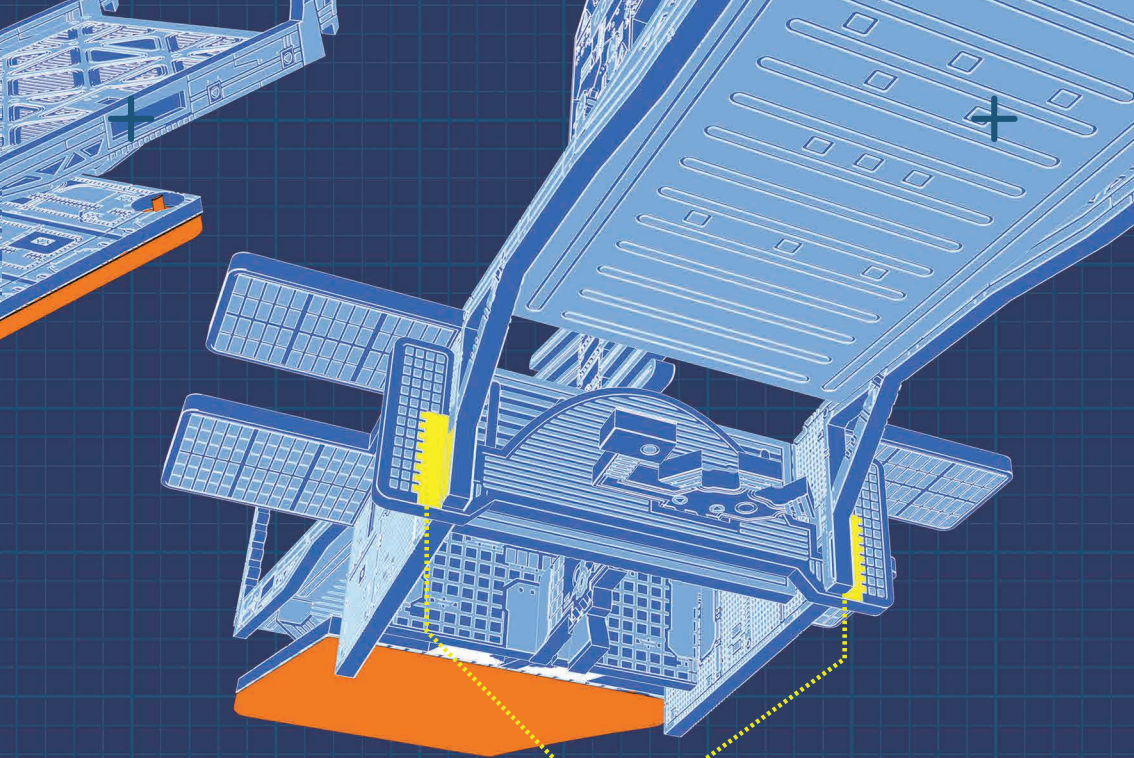


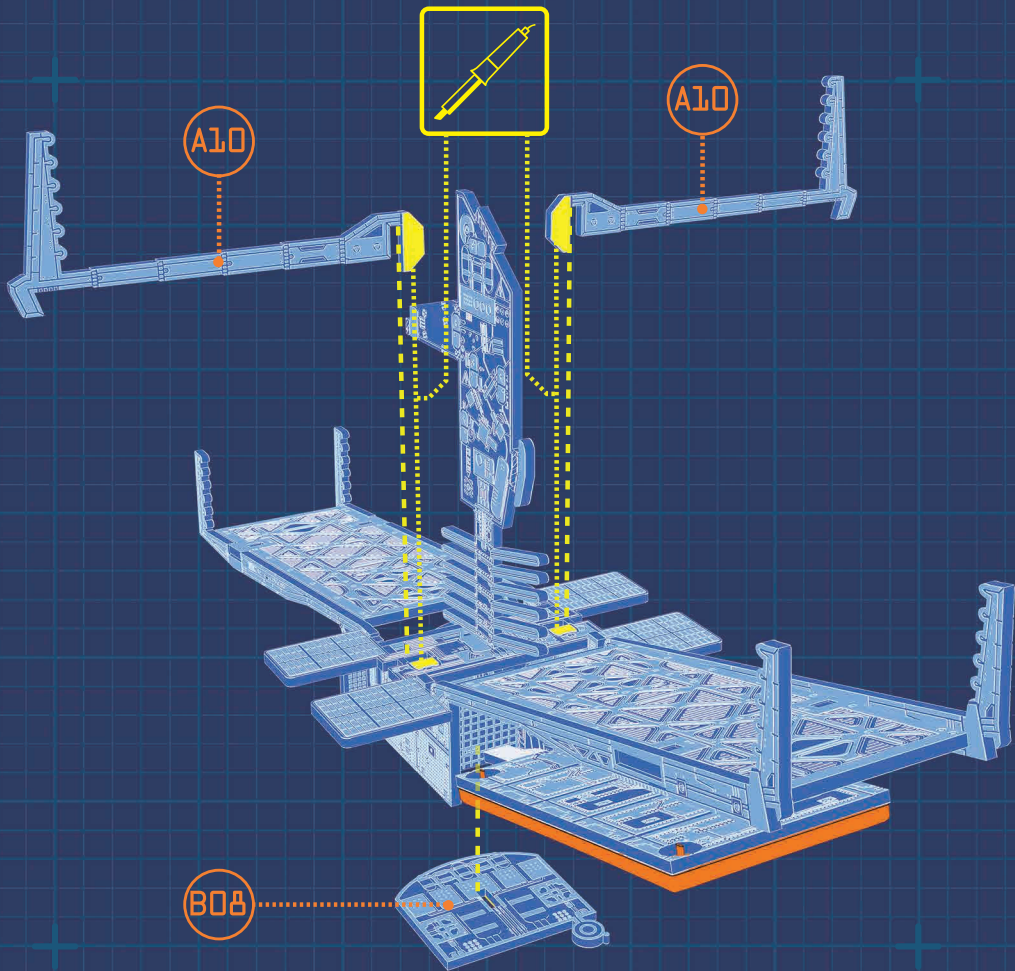


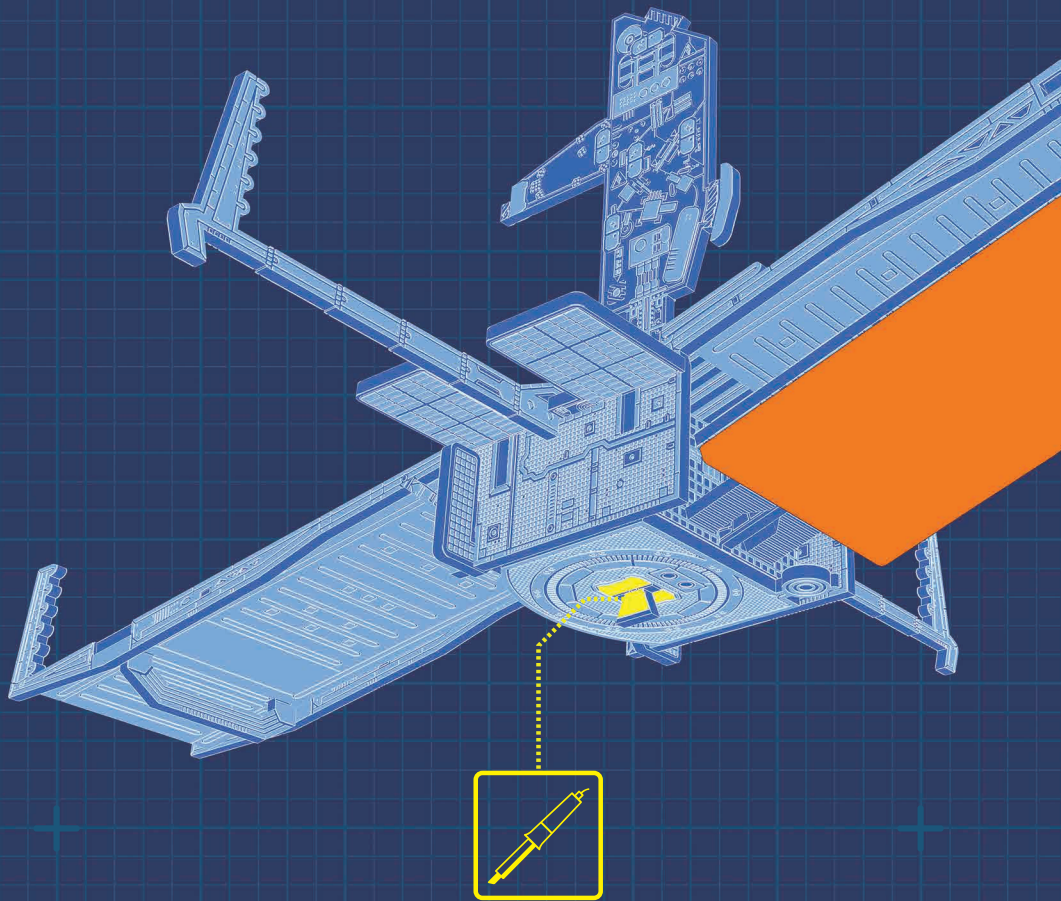
A15

B06

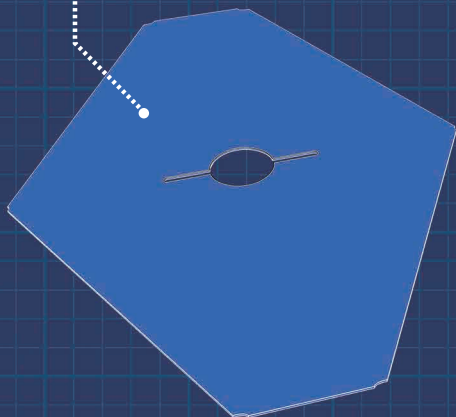




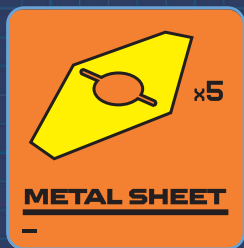
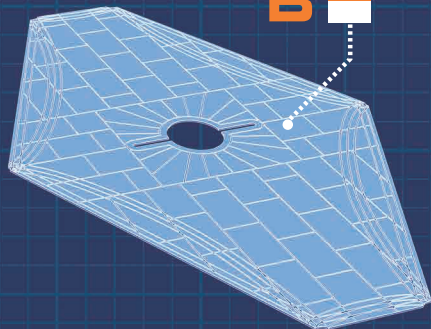




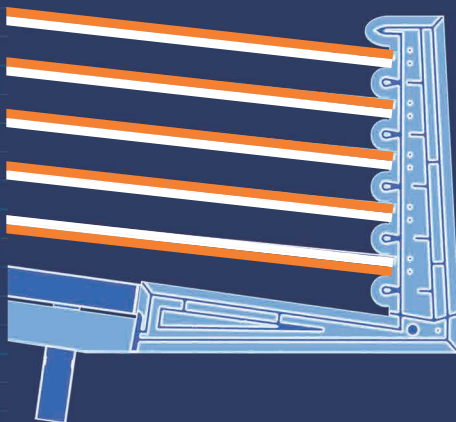
A

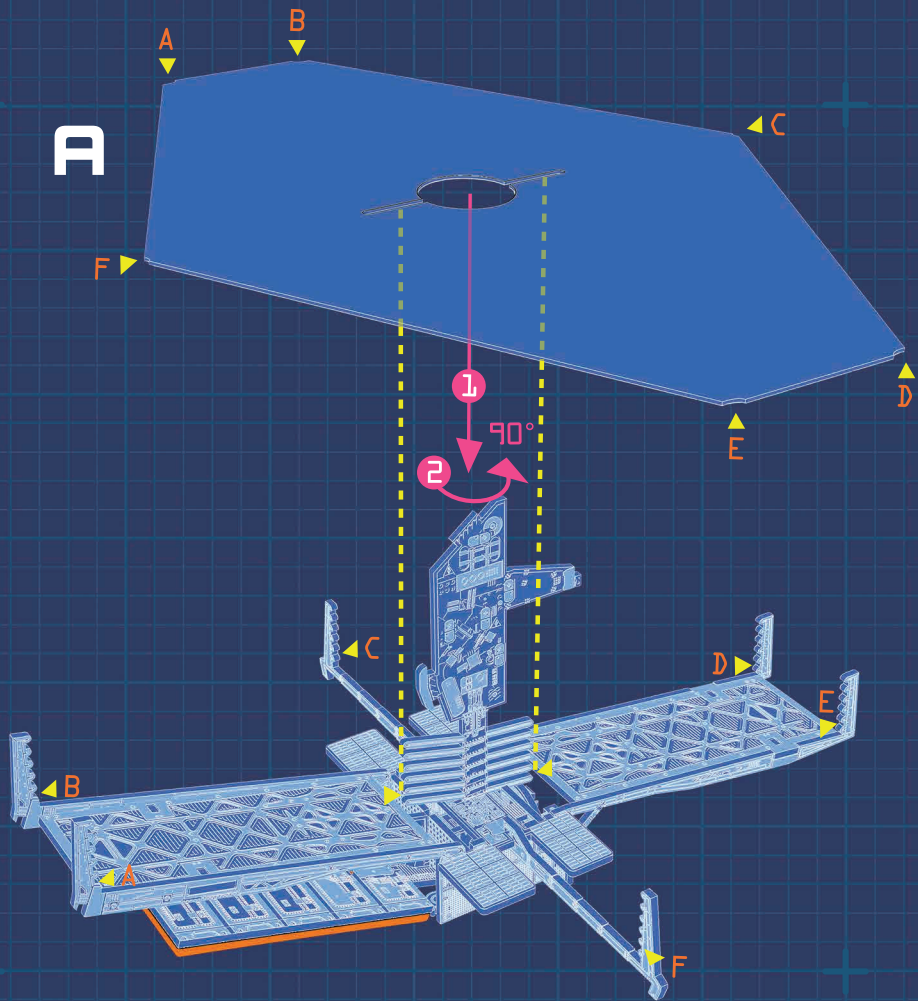


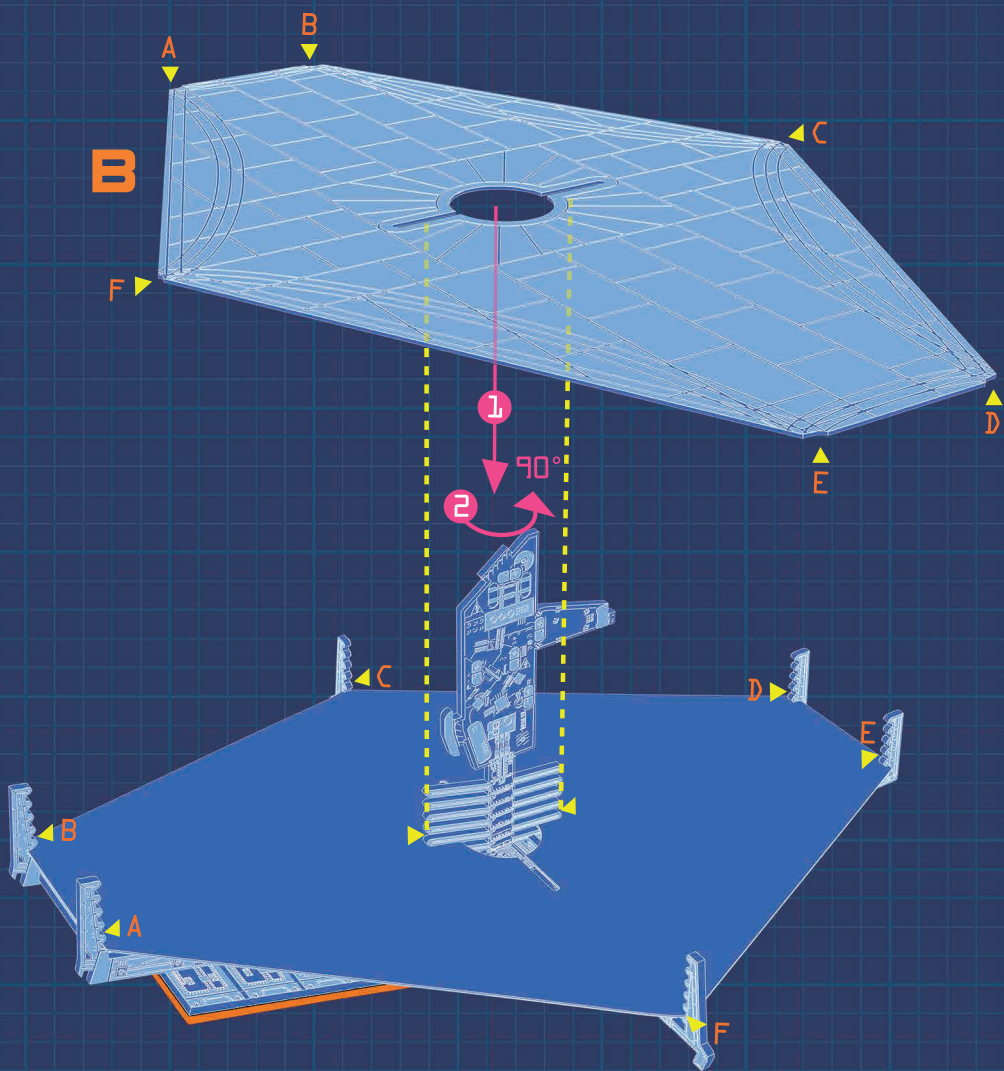
B

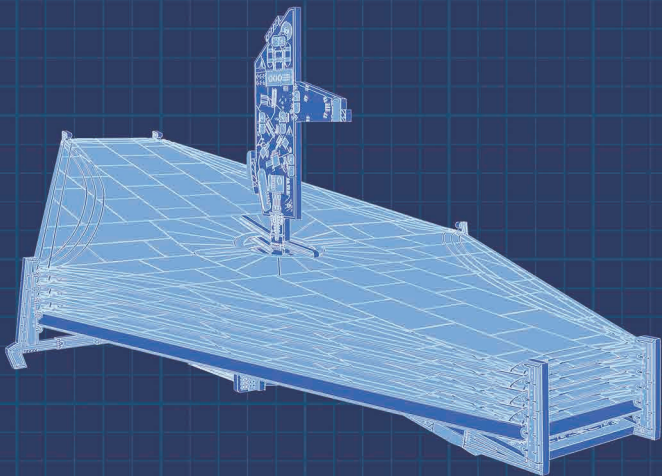
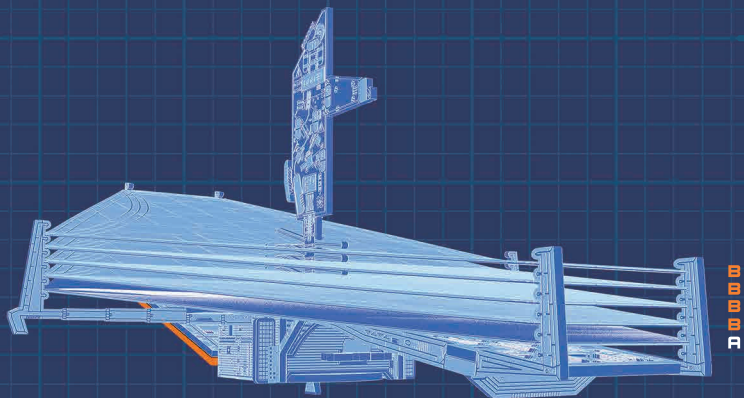


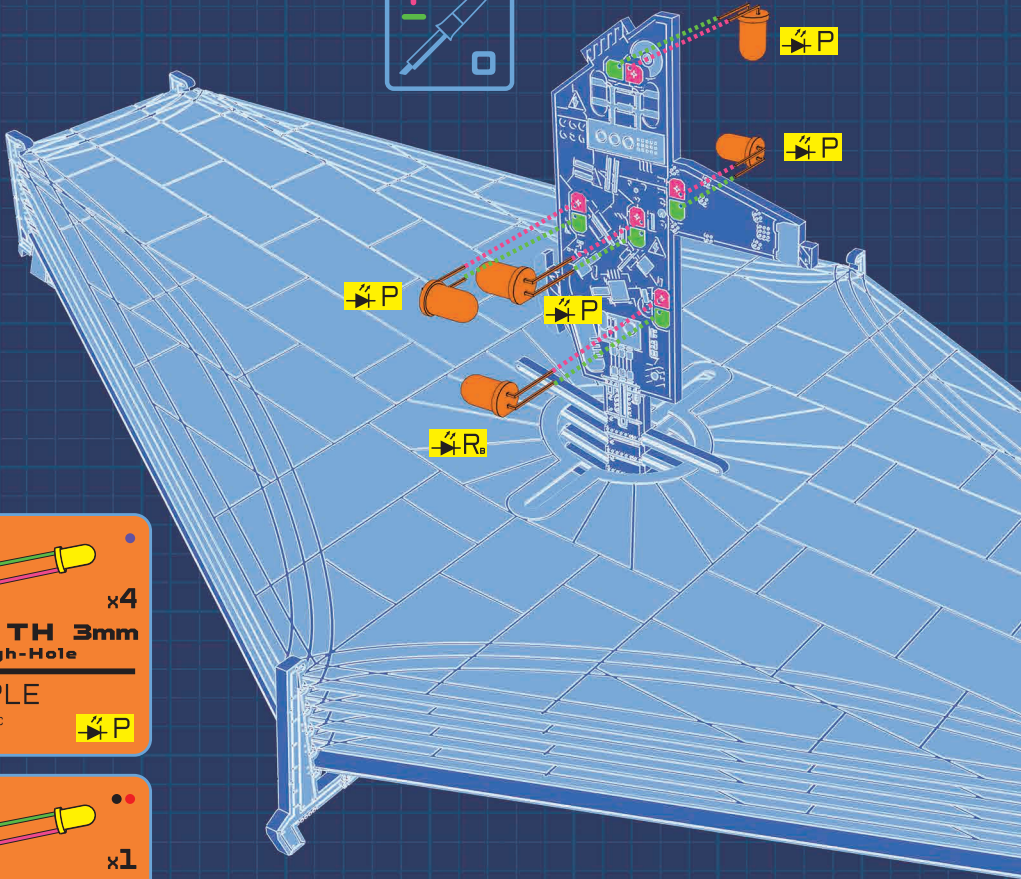
B
B
B
B
A











x4

LED TH 3mm
Through-Hole

PURPLE

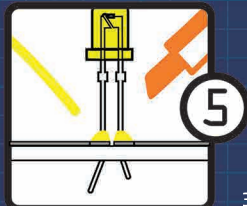
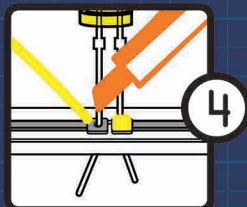
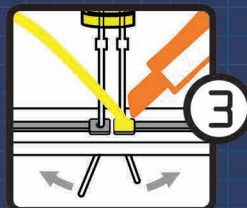
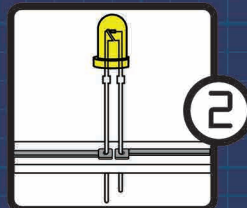
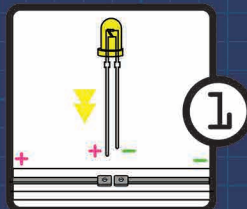
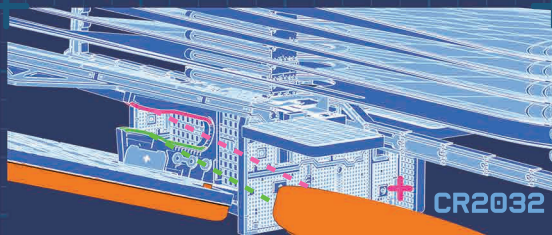
SCHMATIC
IMAGE

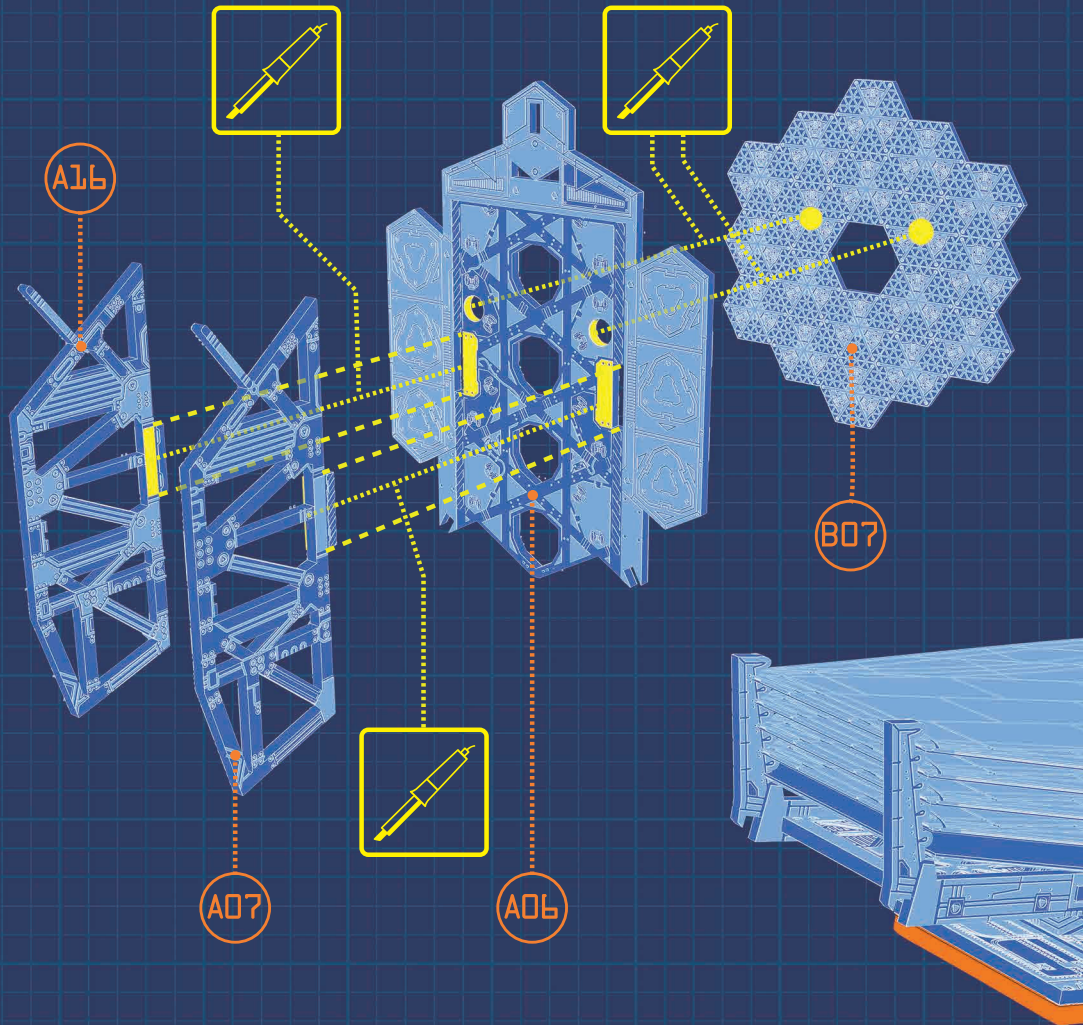
x1

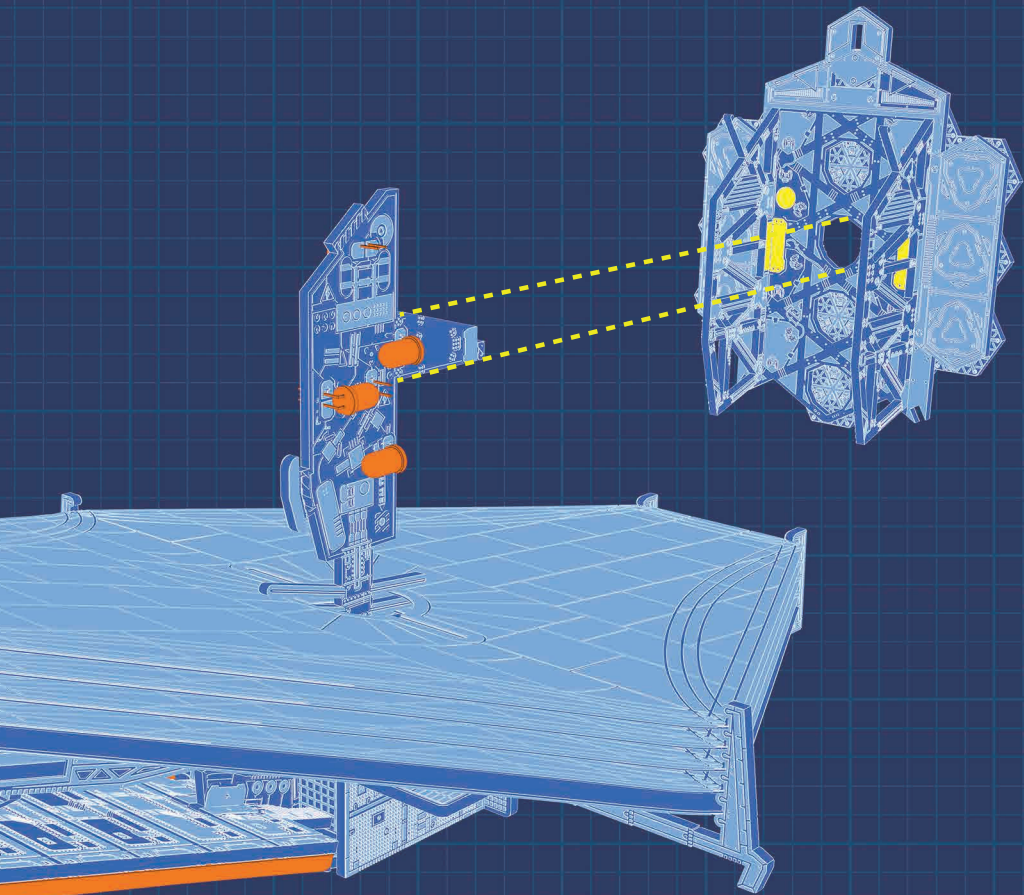
LED TH 3mm
Through-Hole

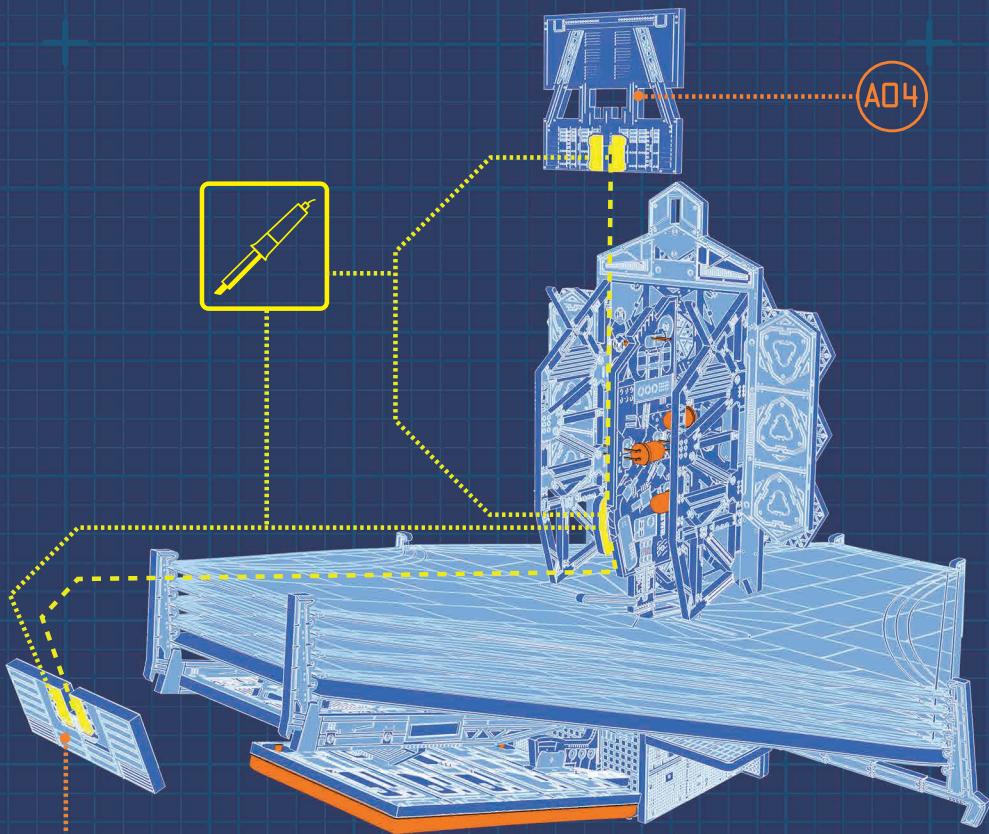
RED BLINKING

SCHMATIC
IMAGE



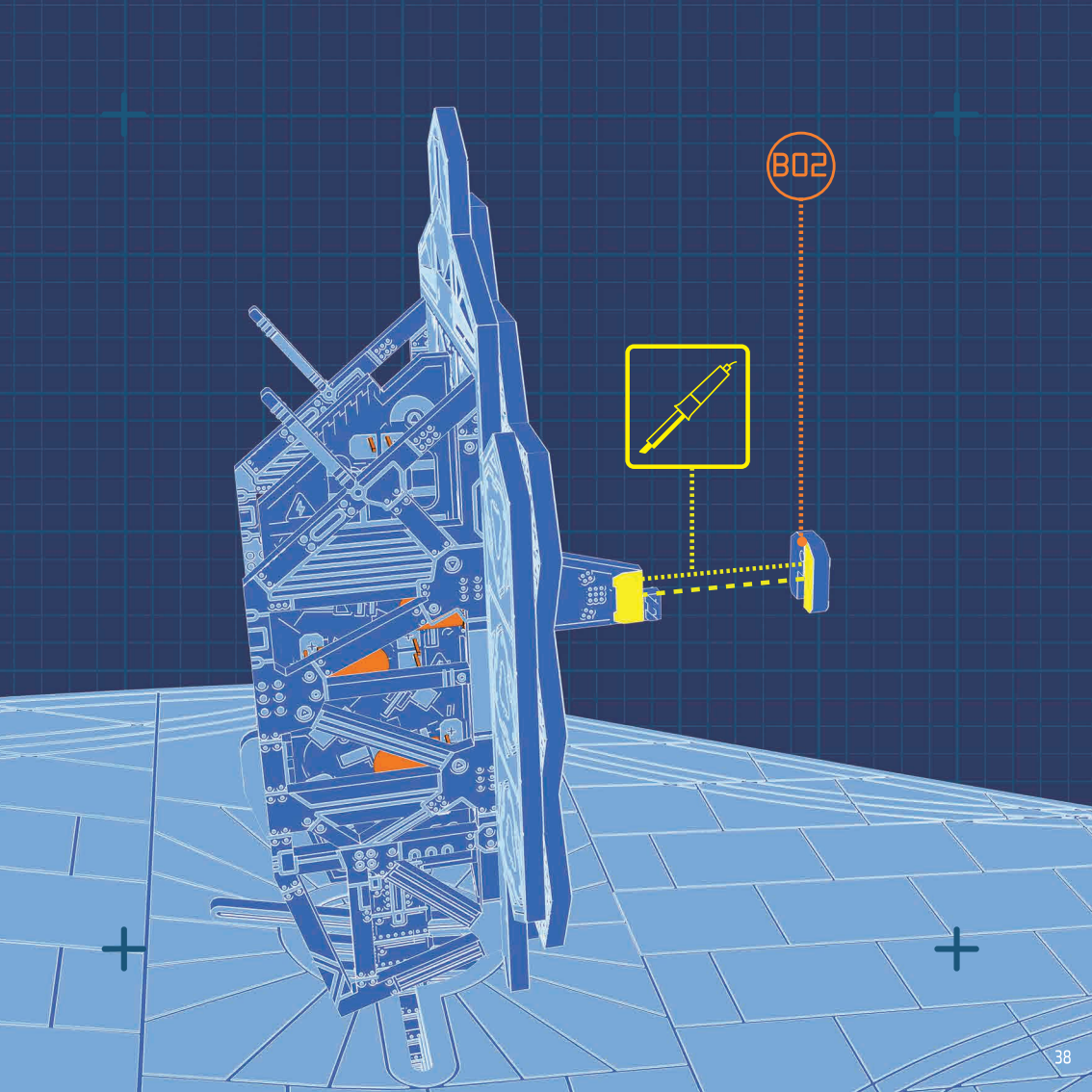






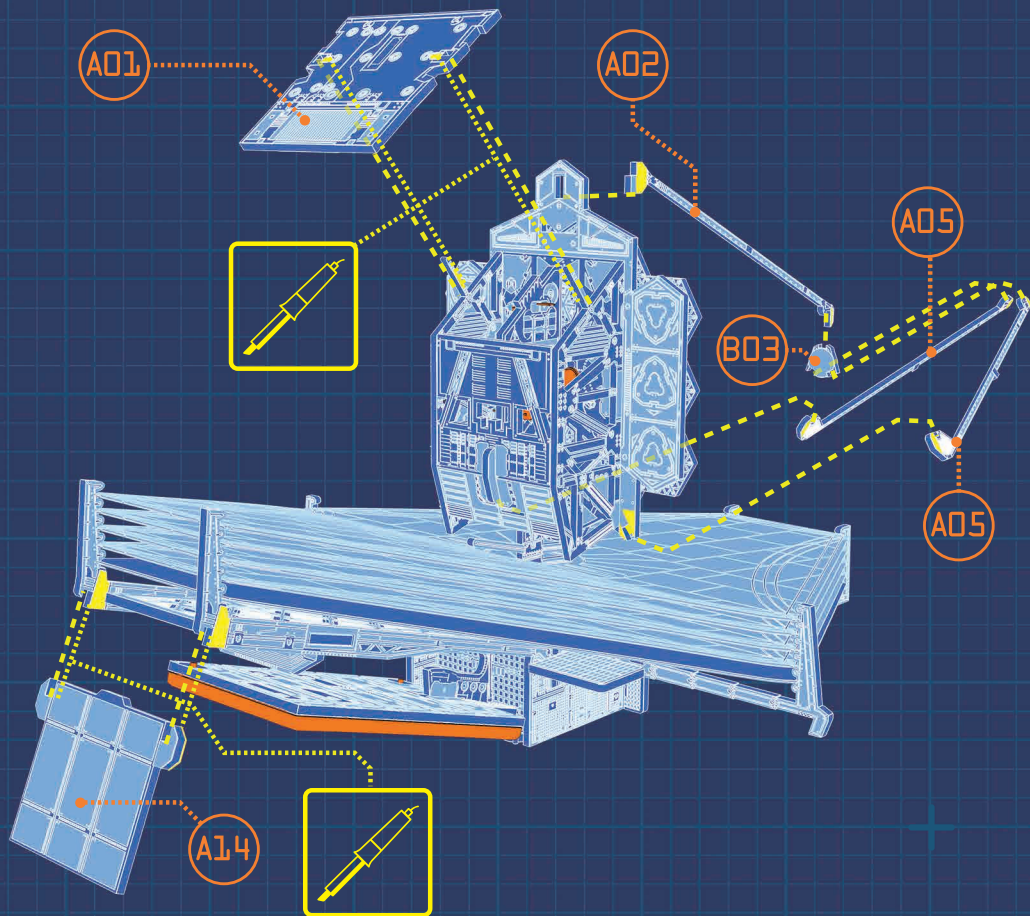
A04

B01

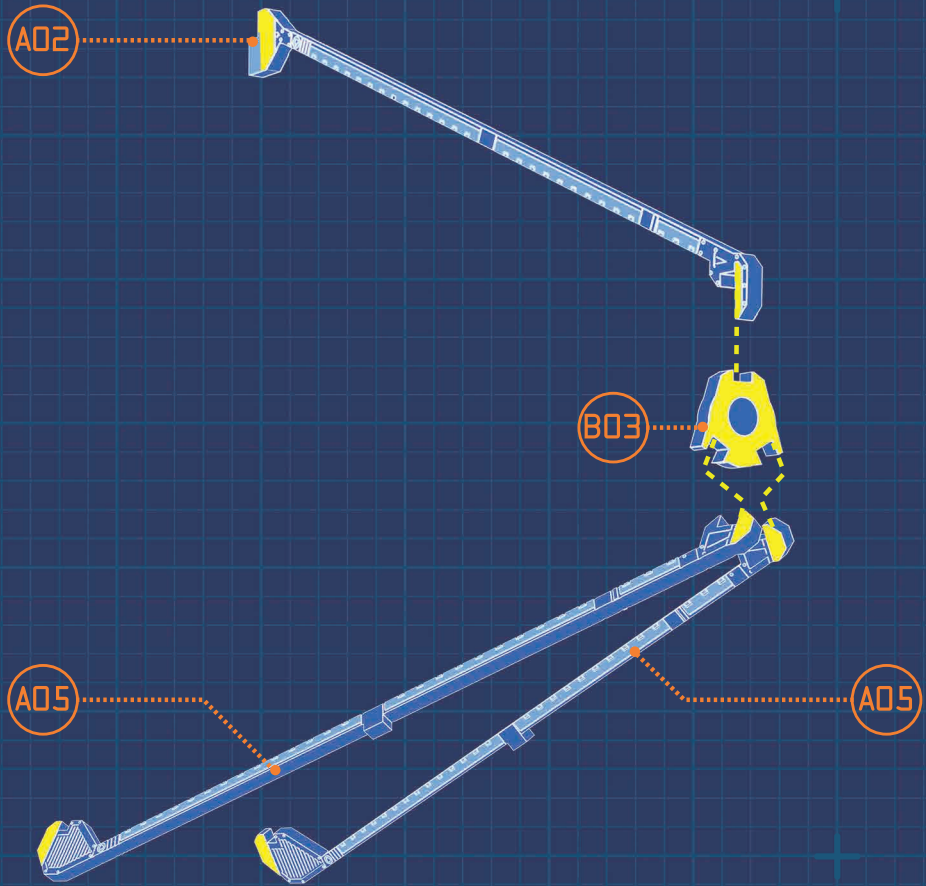


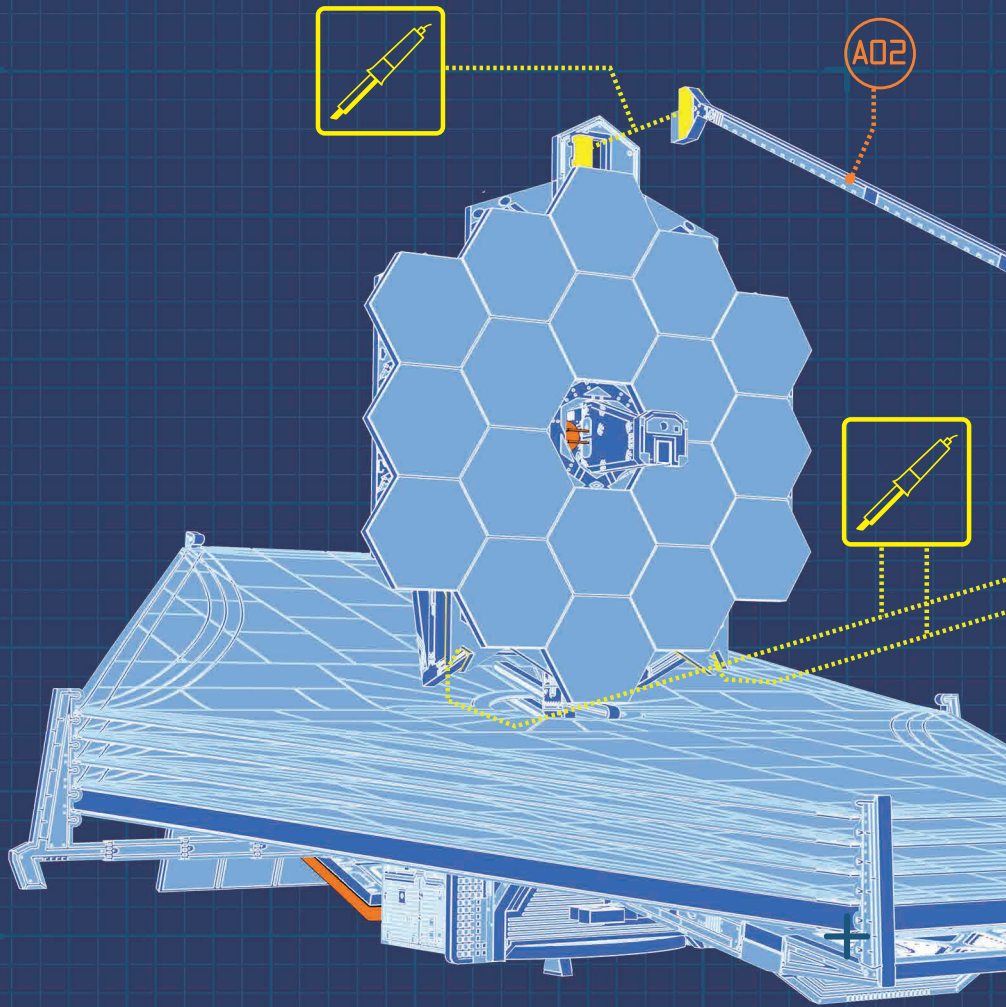
B02

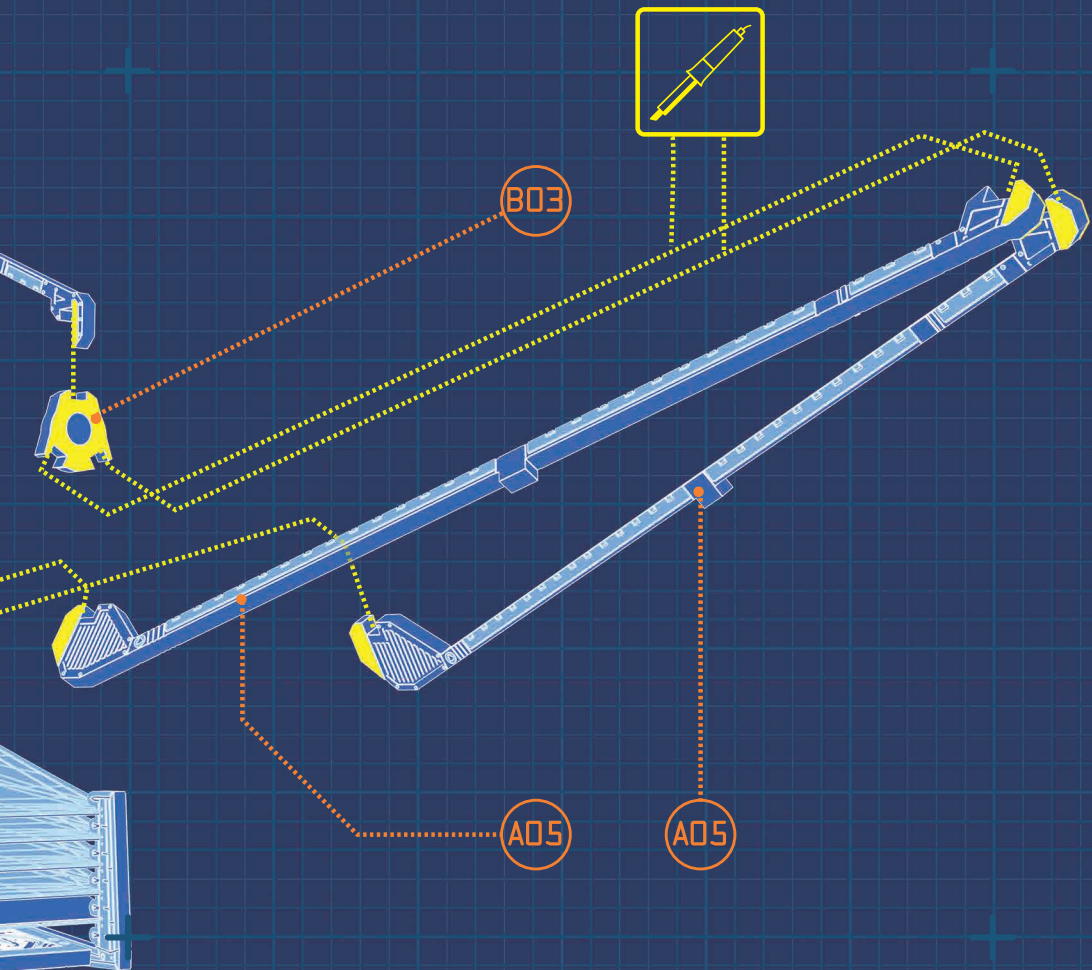


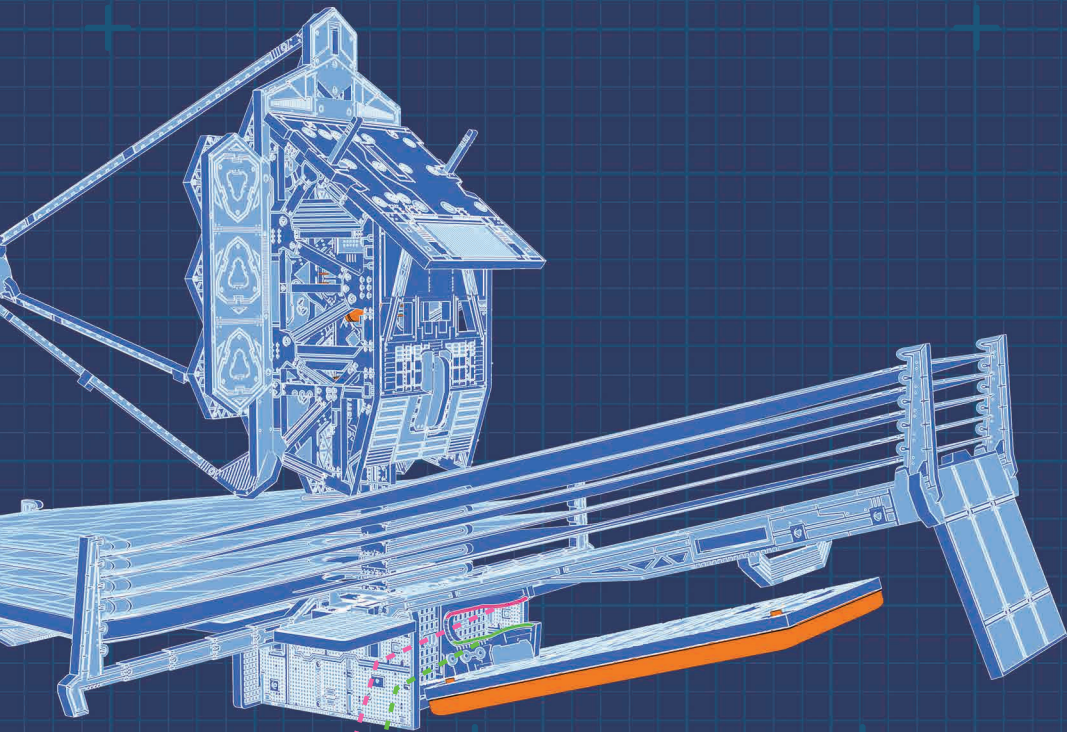


MORE INFO NEXT PAGE



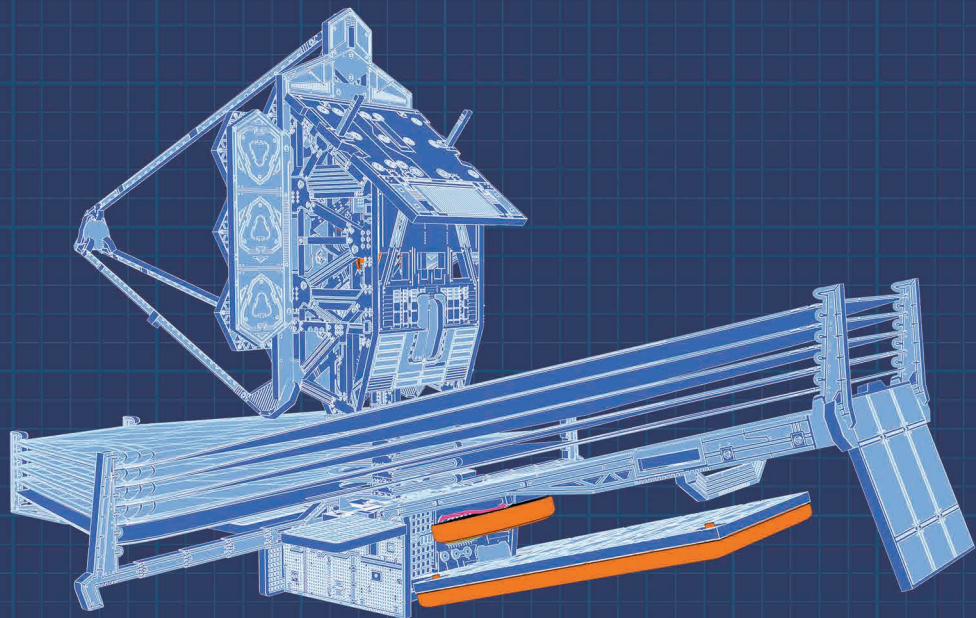






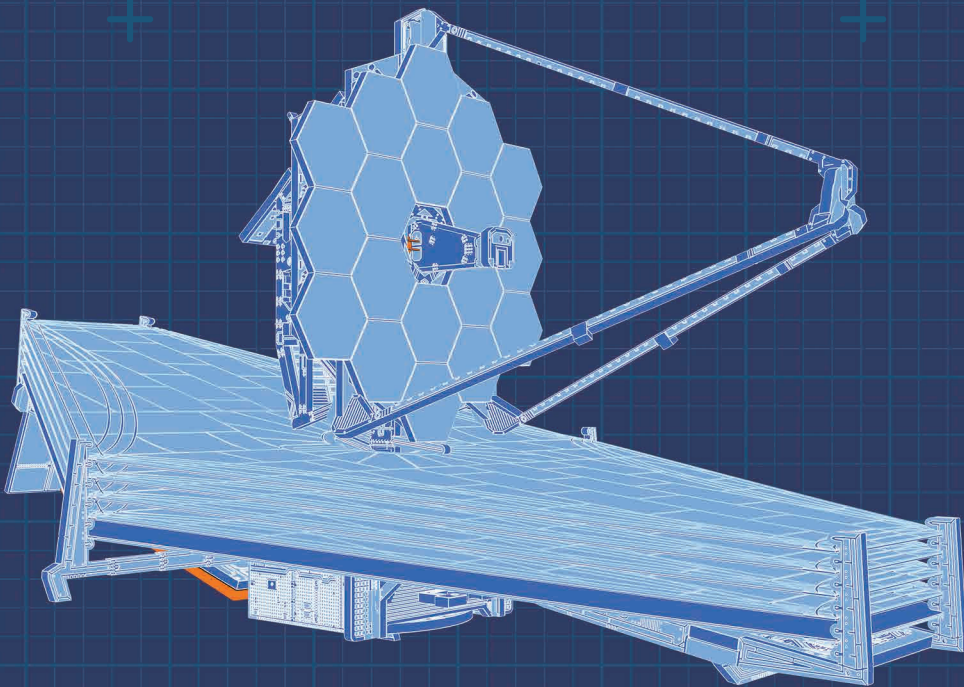
CR2032

CR2032

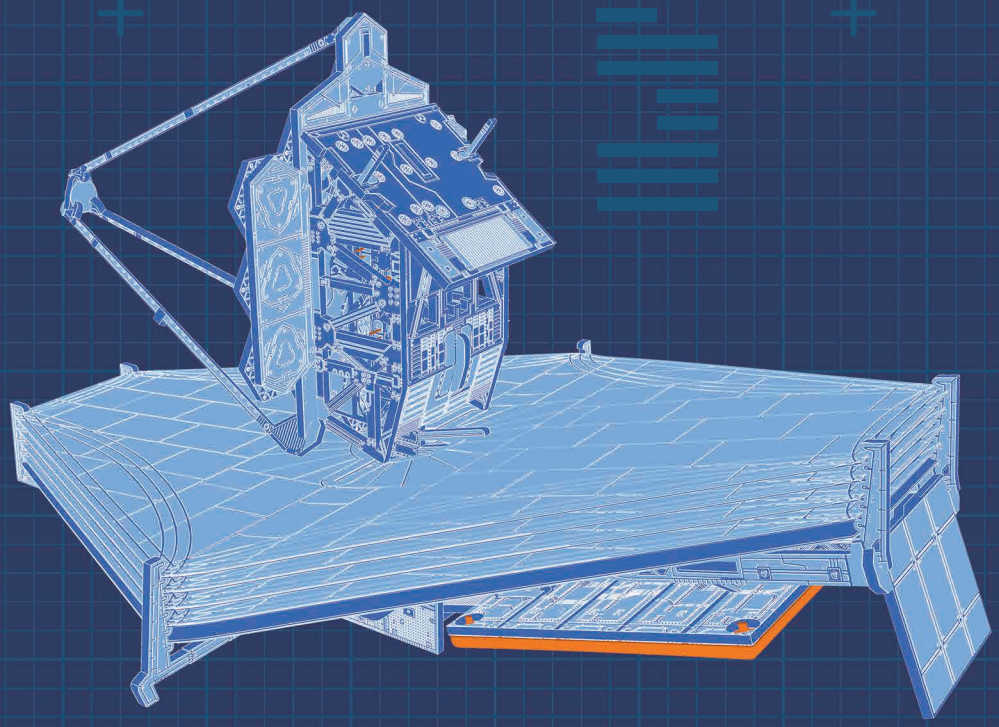


LIFT OFF

KEEP SAFE



KEEP SAFE



LIFT OFF

KEEP SAFE



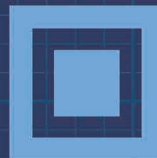
READ BEFORE FLIGHT



f/ig WE.ARE.GEEKCLUB

MORE FUN STUFF ON OUR WEBSITE !!!
A QUESTION ? SOME COMMENTS ?

WWW.GEEKCLUB.COM



KEEP SAFE