



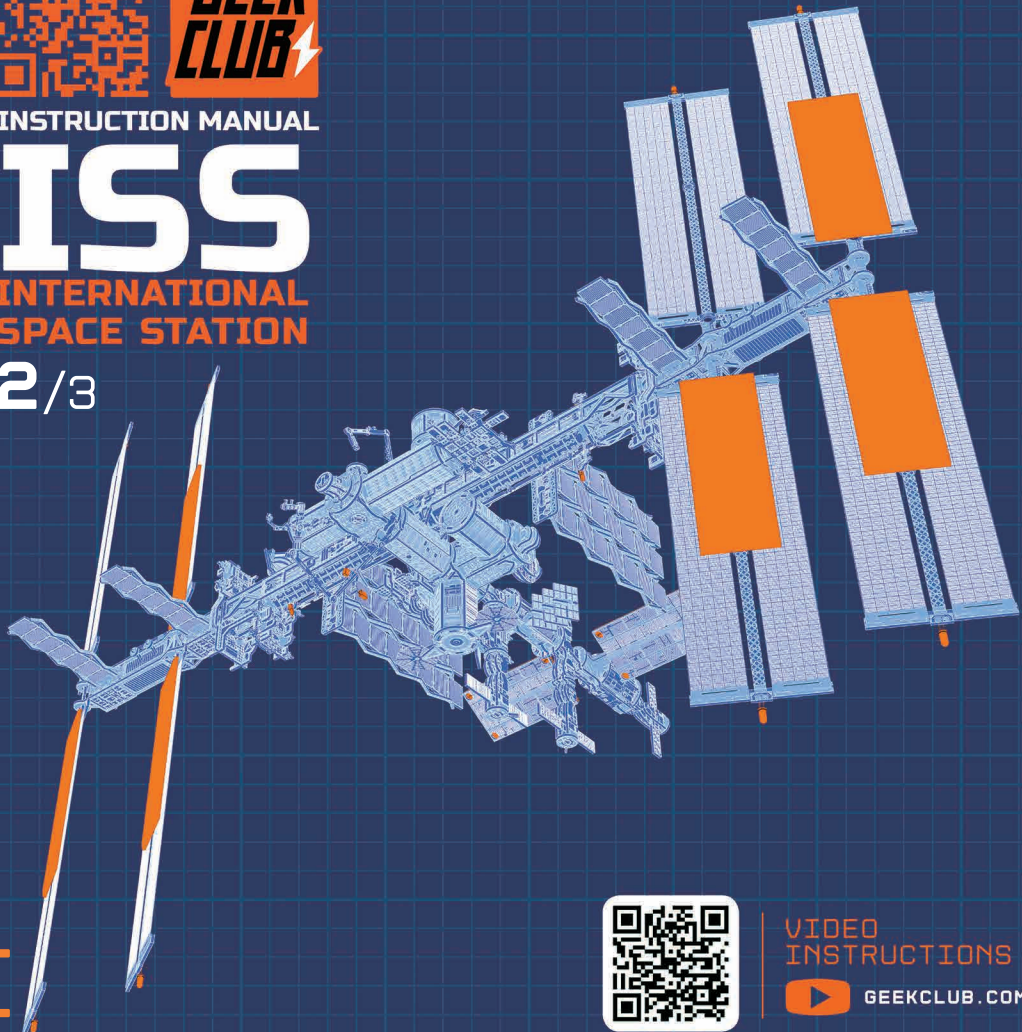
KEEP SAFE ▶

INSTRUCTION MANUAL

ISS

INTERNATIONAL
SPACE STATION

2/3



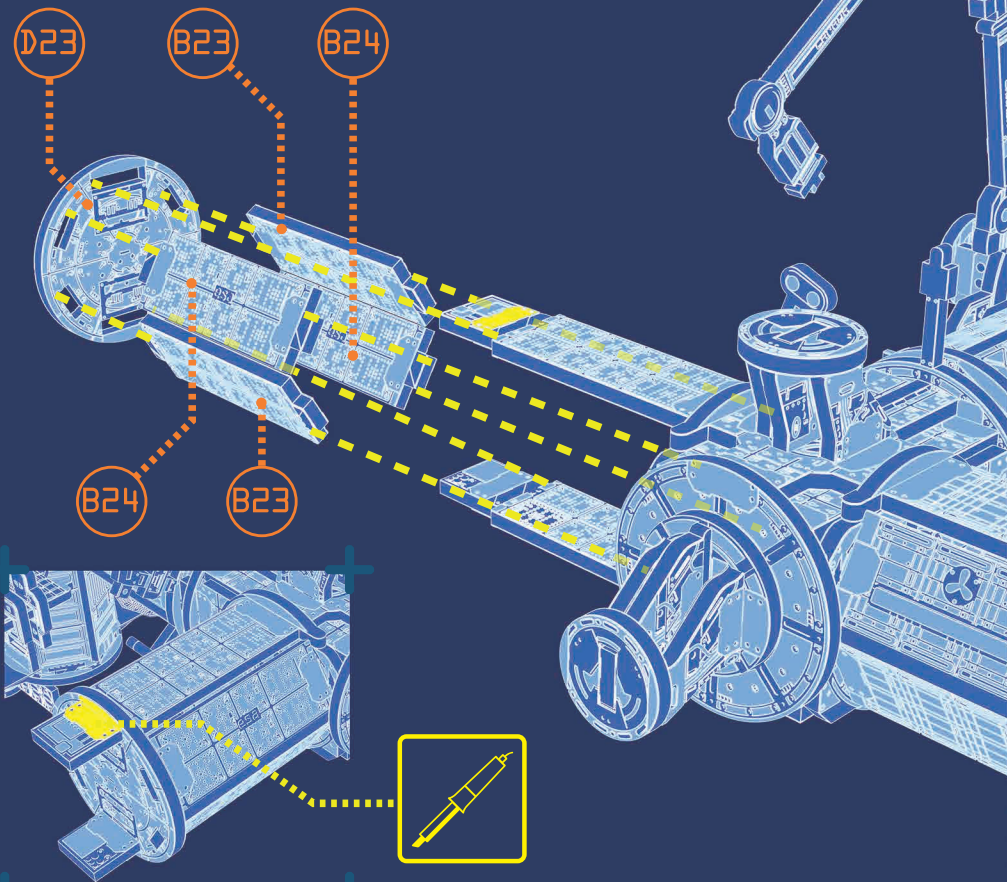
READ BEFORE FLIGHT

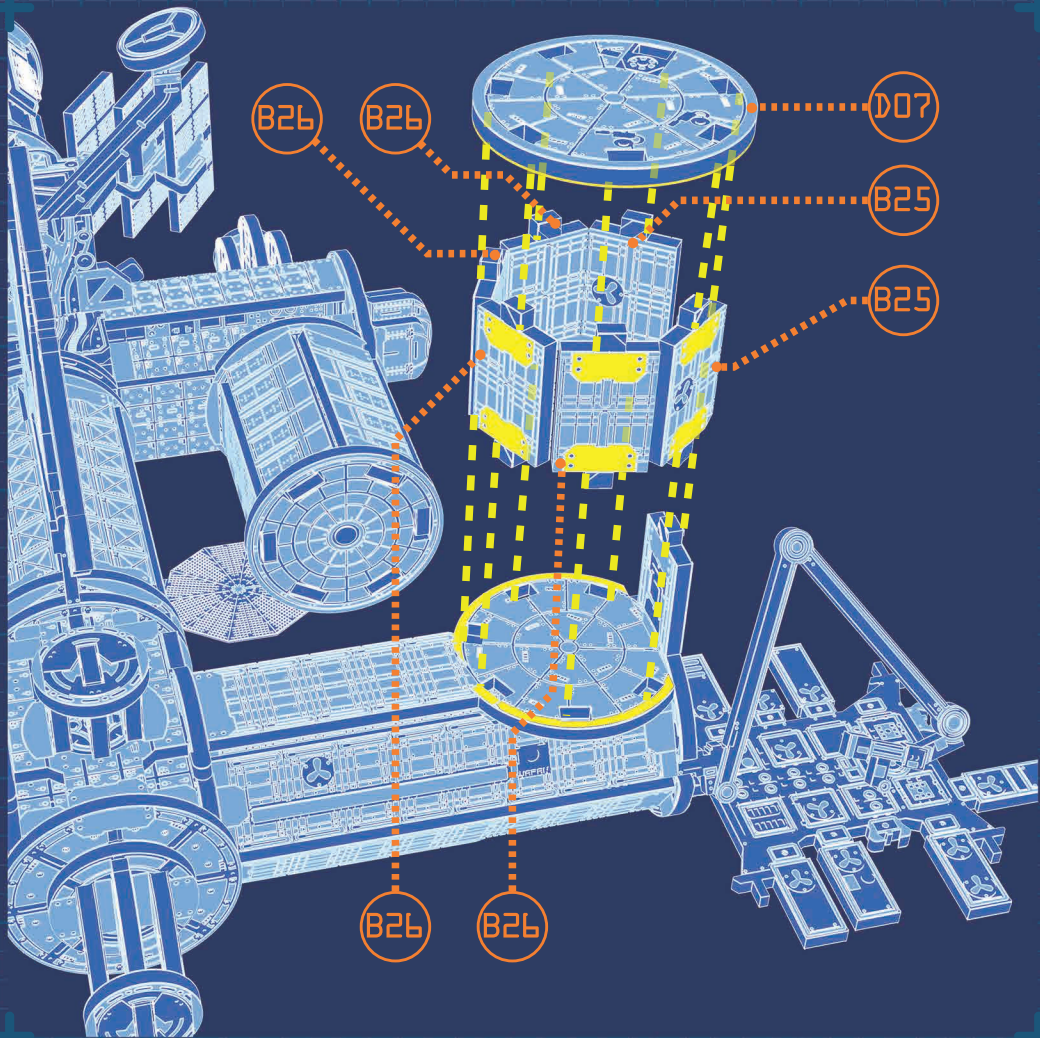


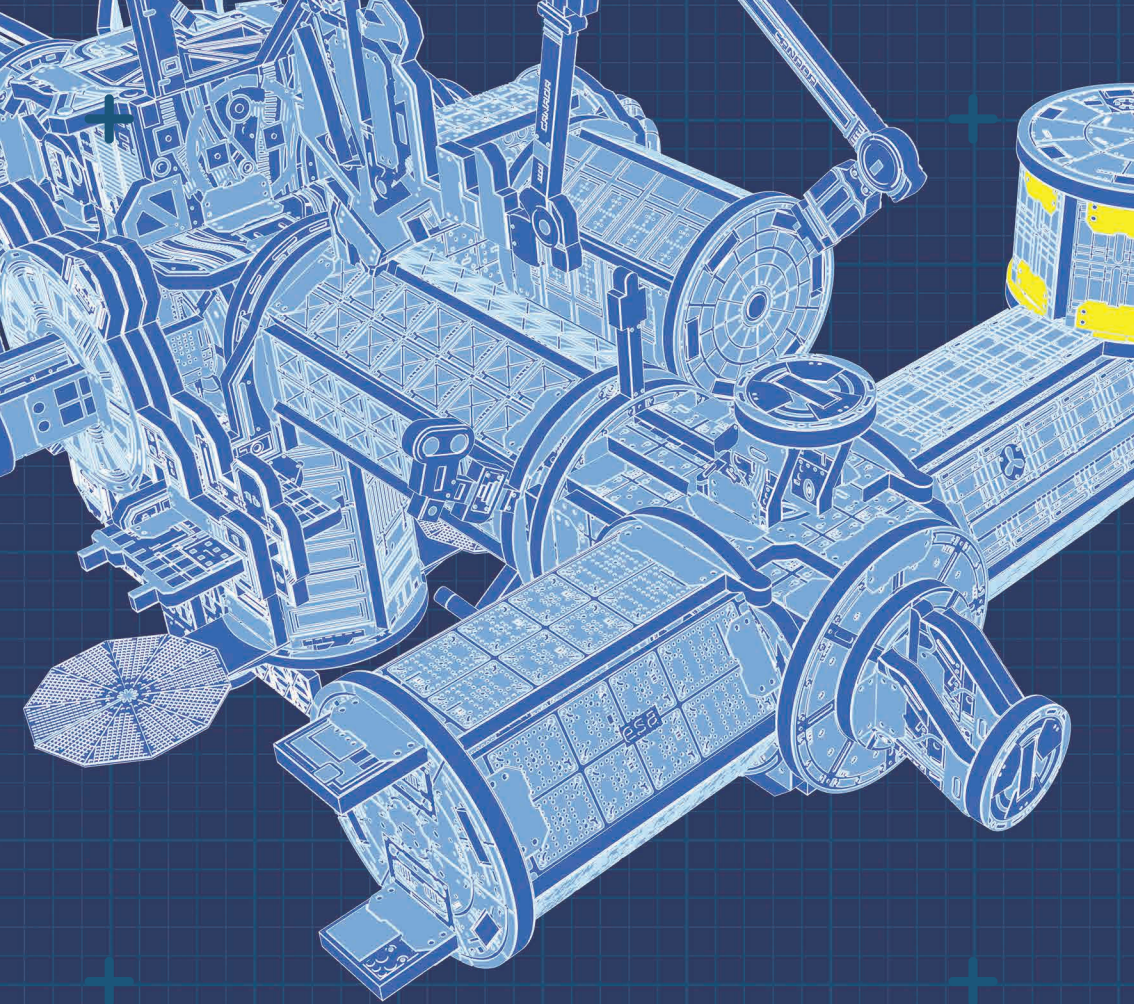
VIDEO
INSTRUCTIONS

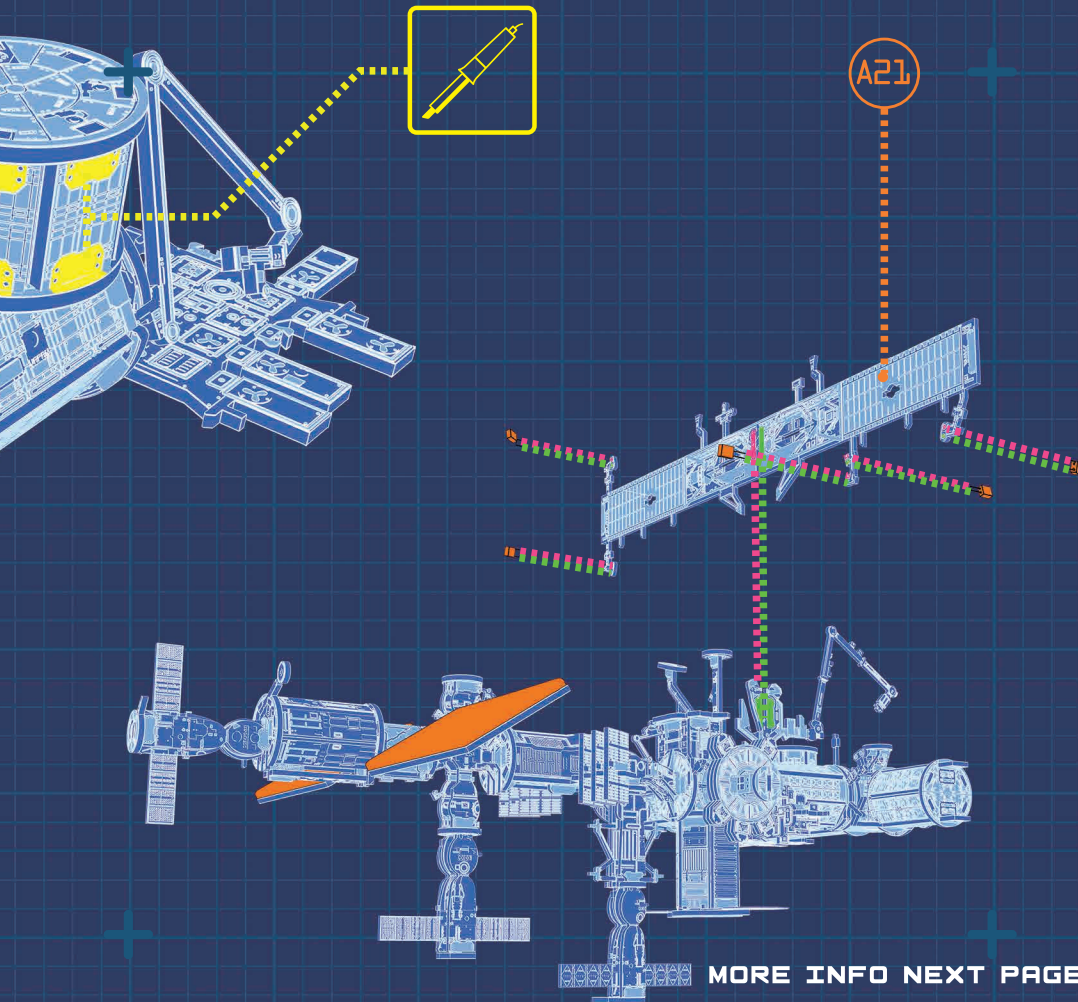


GEEKCLUB.COM









MORE INFO NEXT PAGE





A21





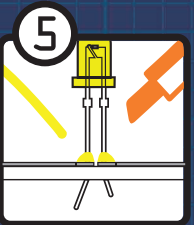
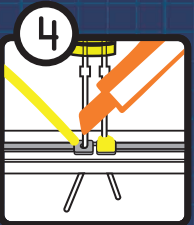
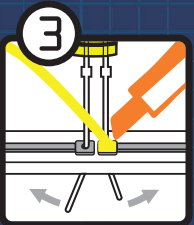
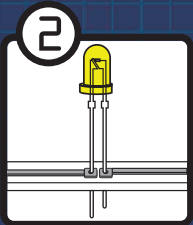
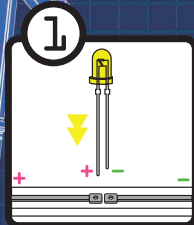
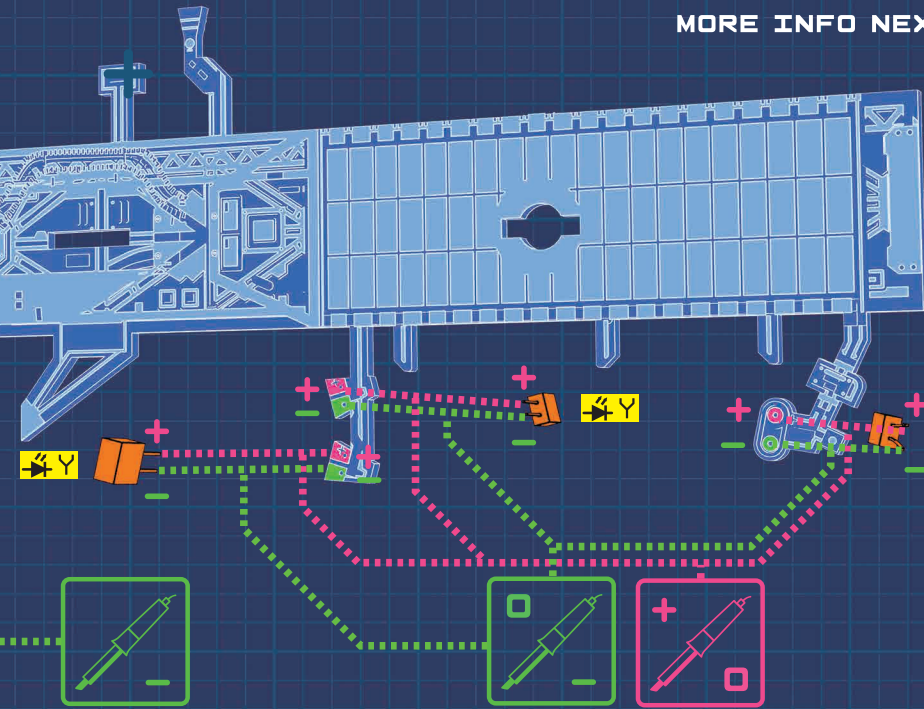
x5

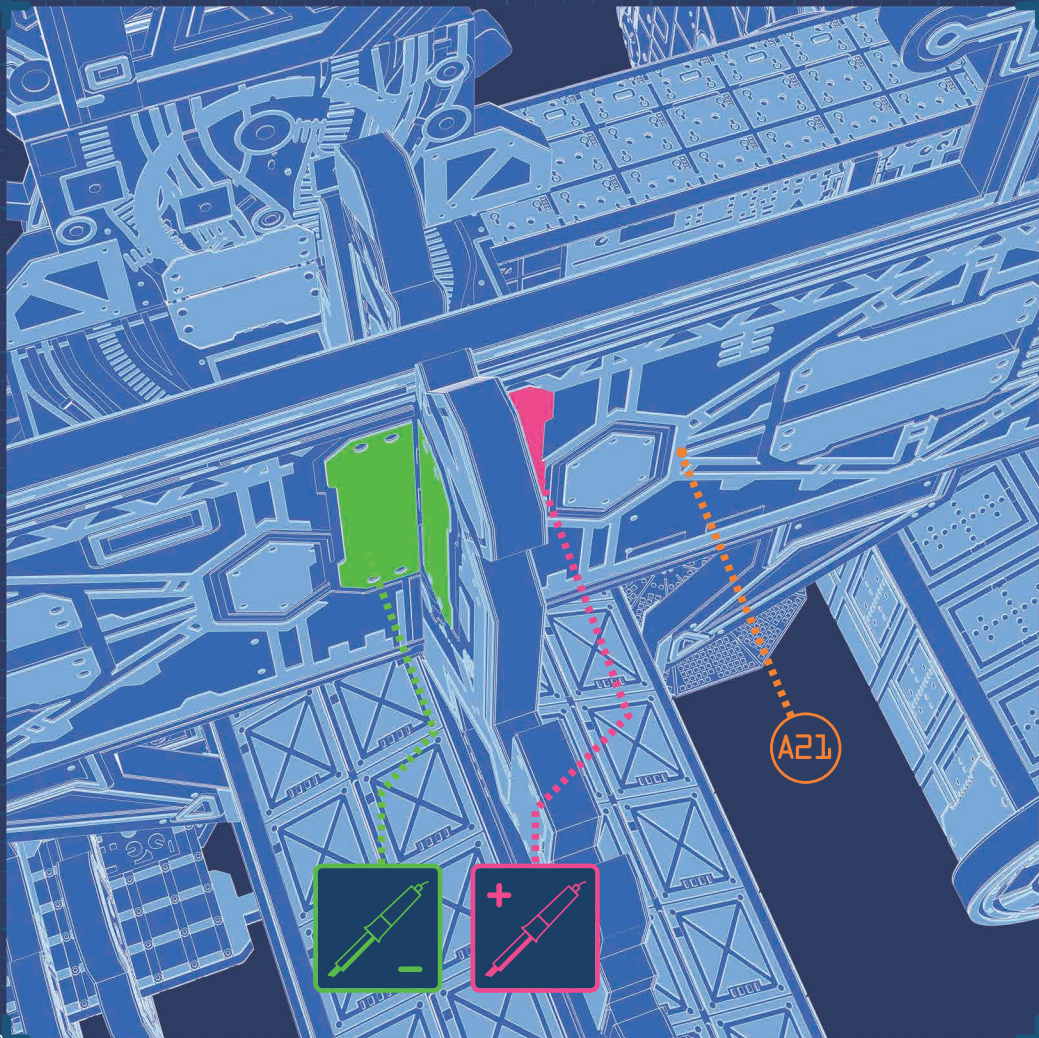
LED TH 3mm
Through-Hole

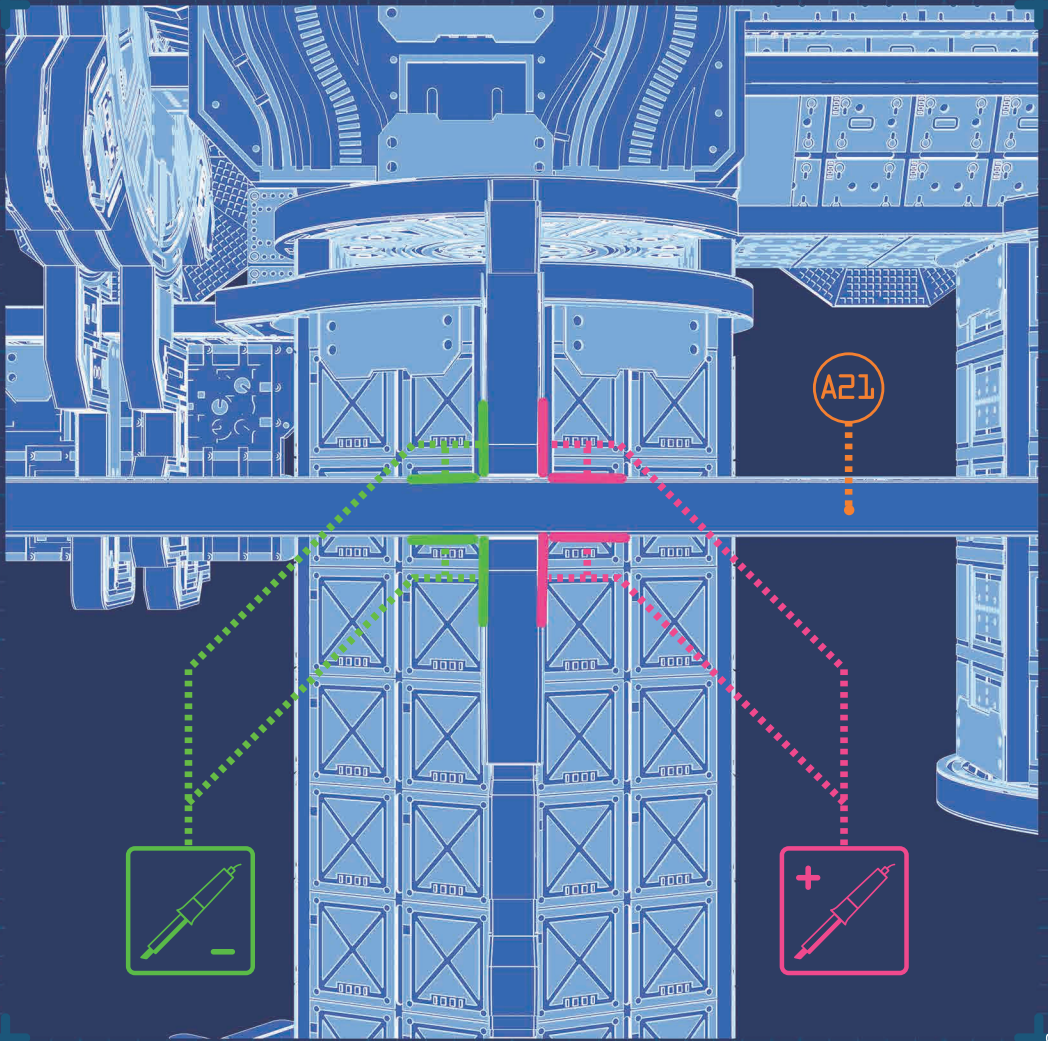
YELLOW

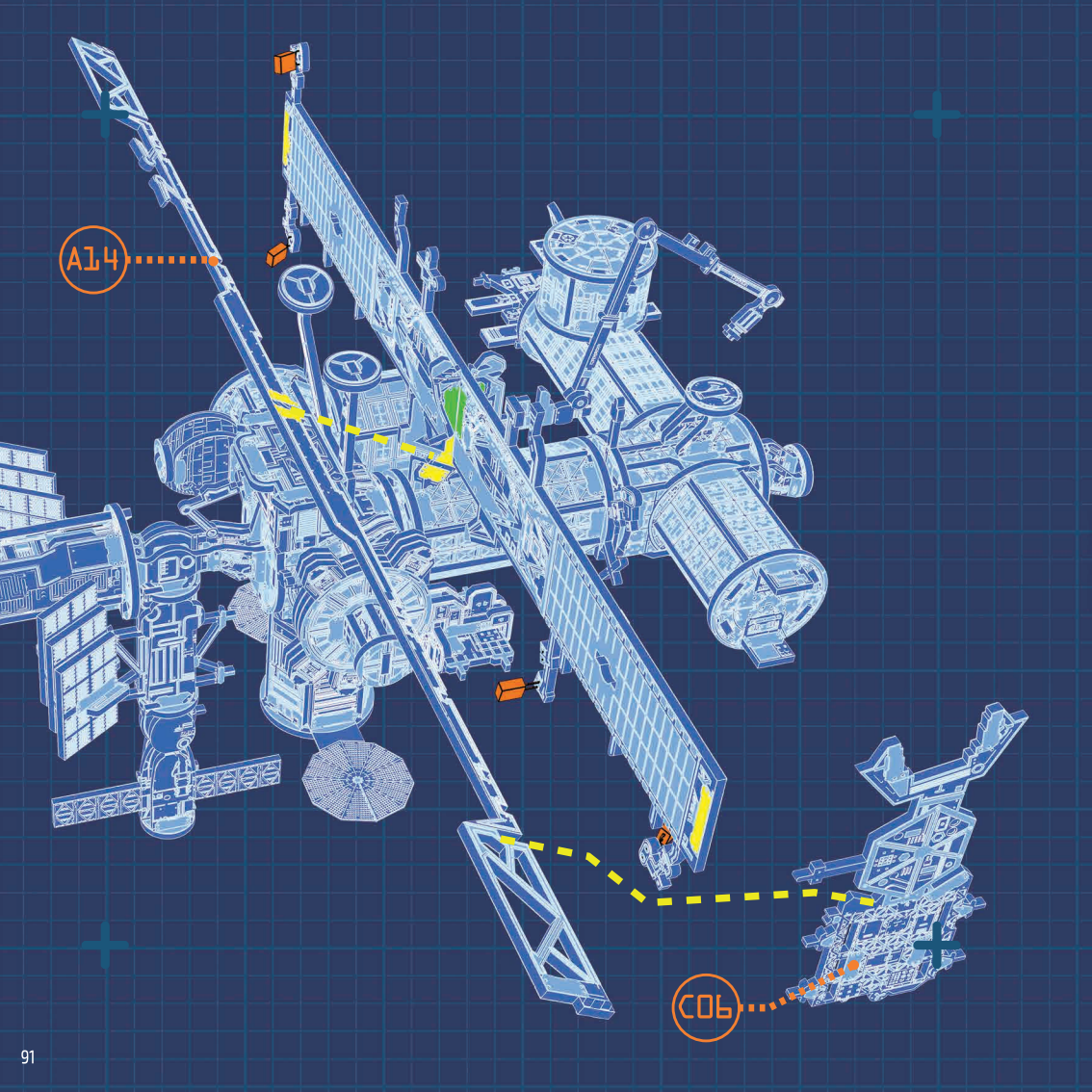
SCHEMATIC
IMAGE 











A14

C06

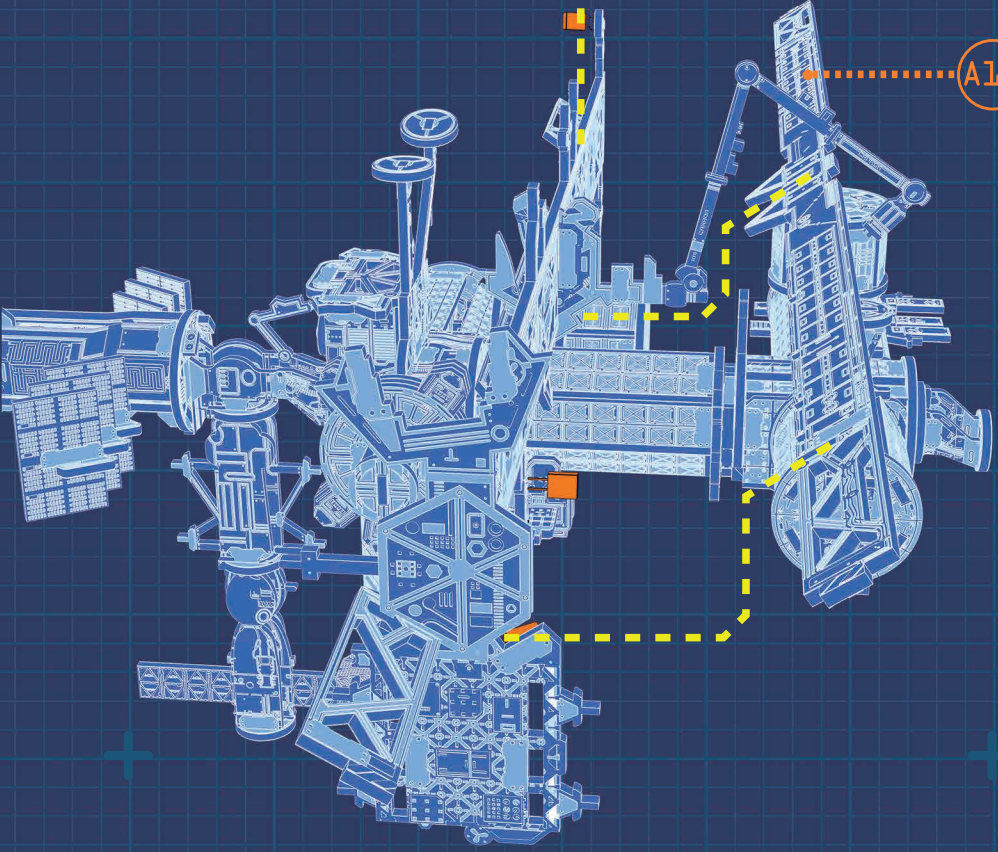
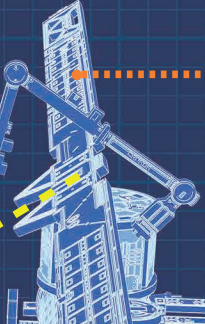
MORE INFO NEXT PAGE

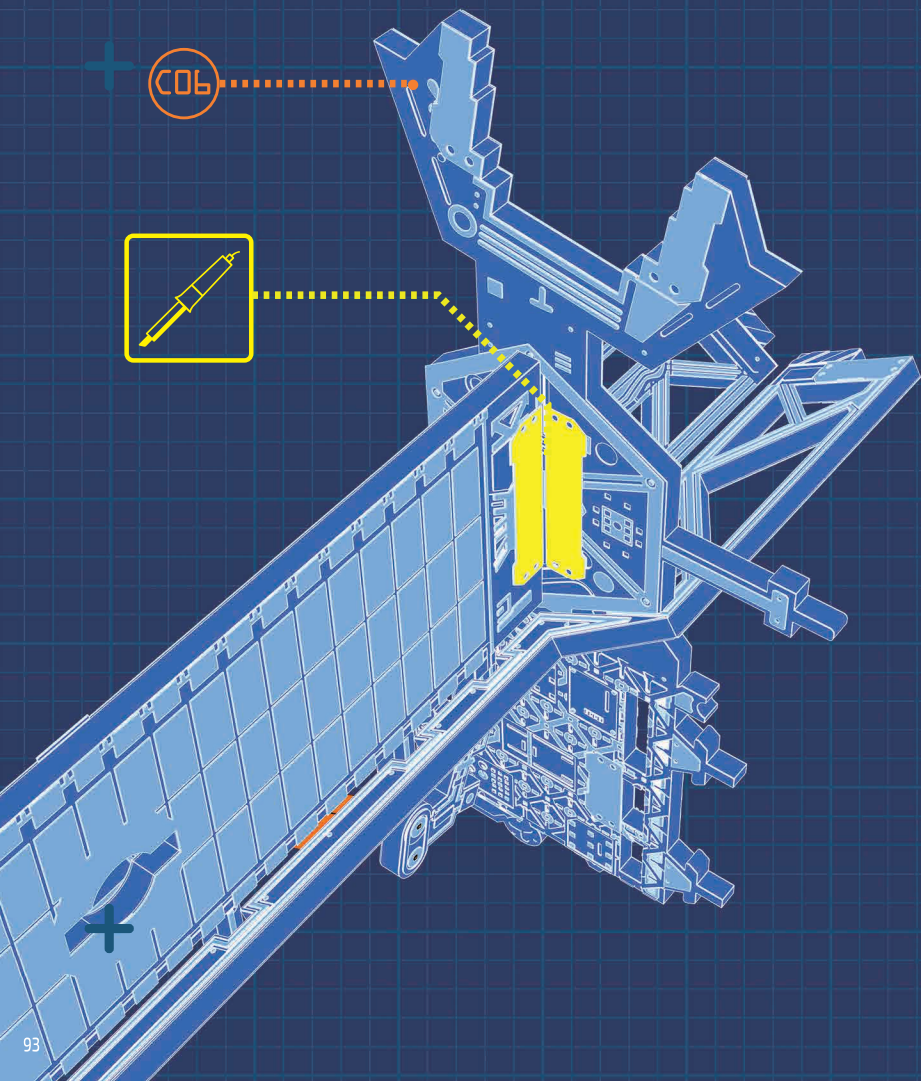


D02



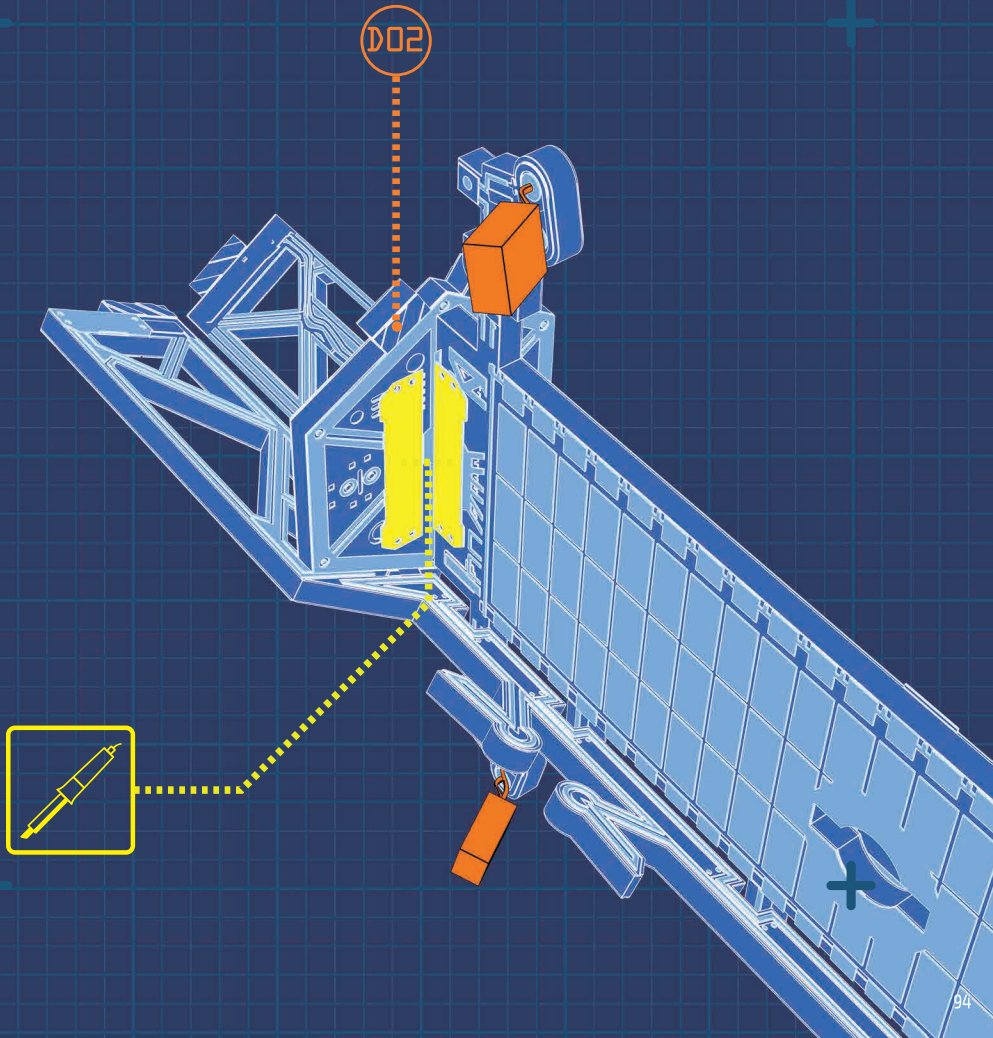
A17

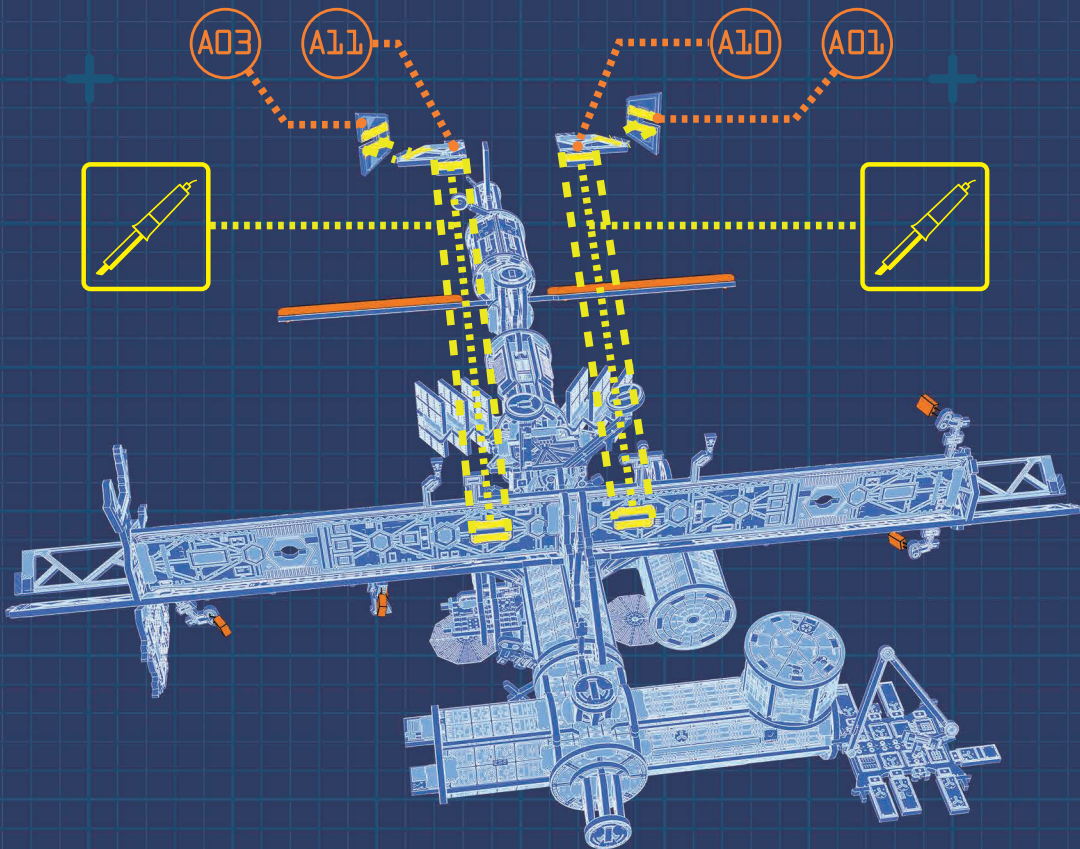




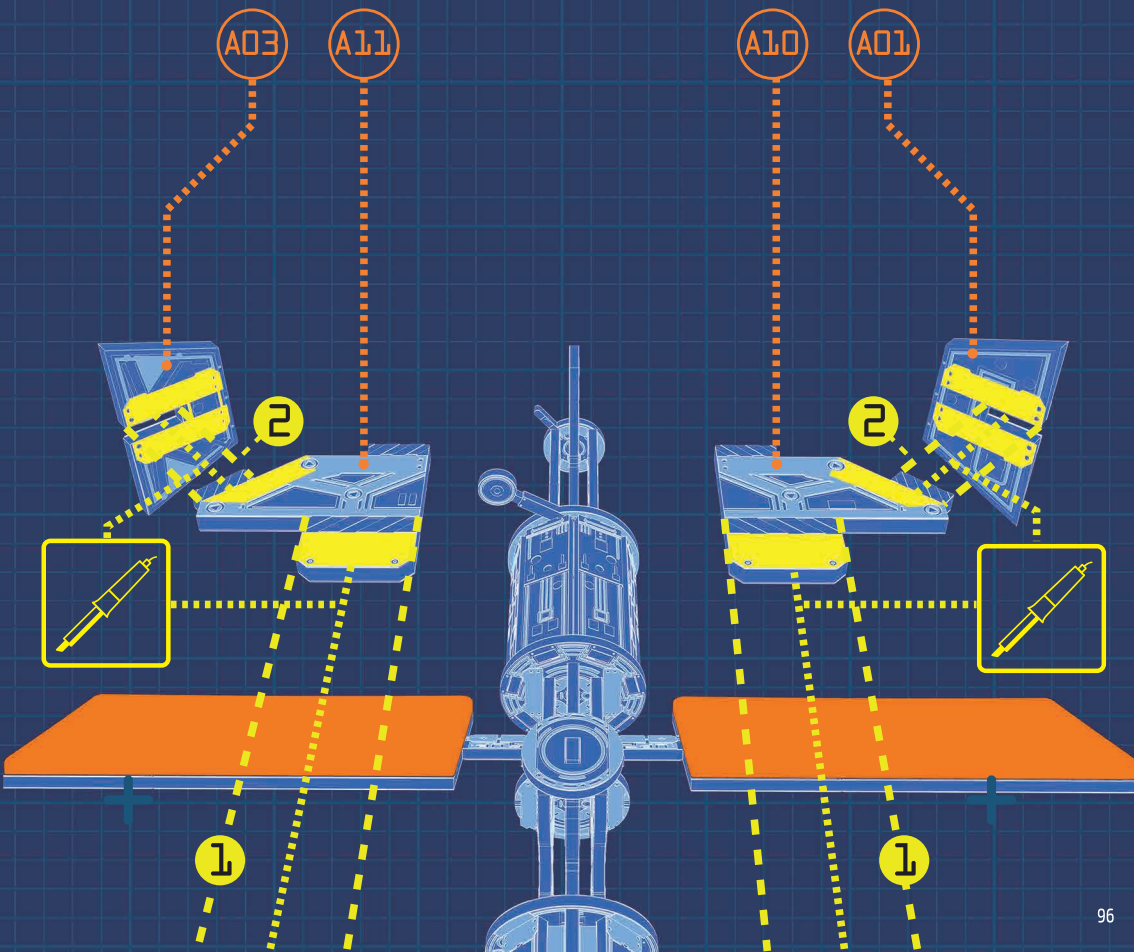
СОВ

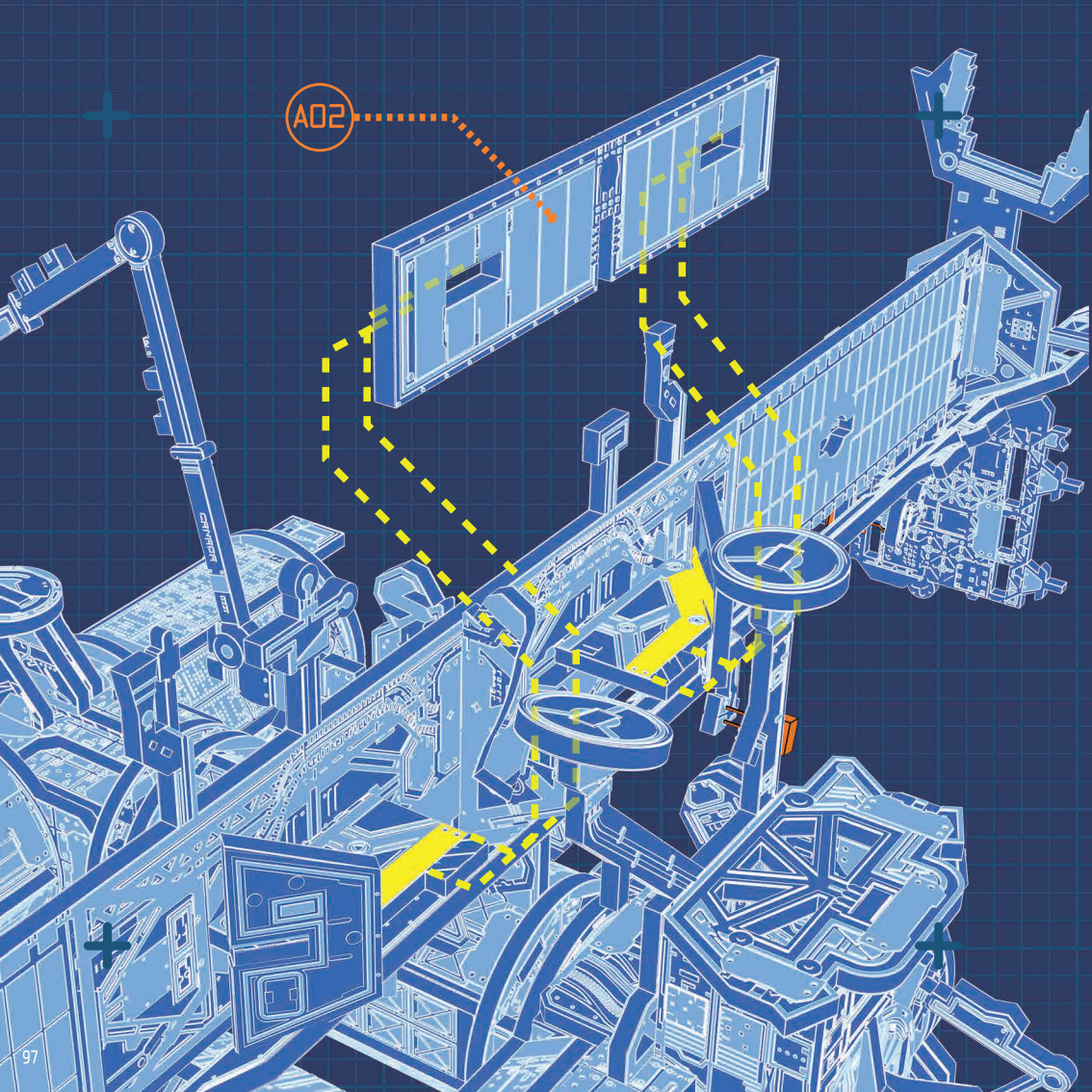




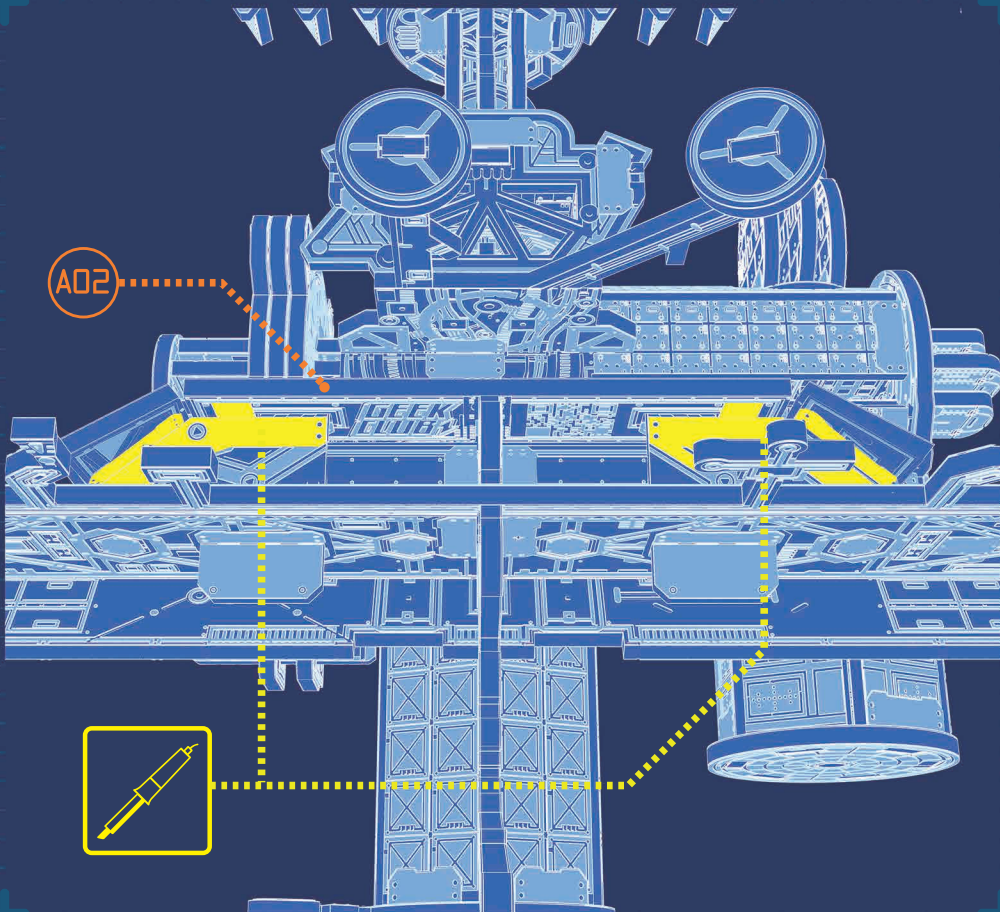


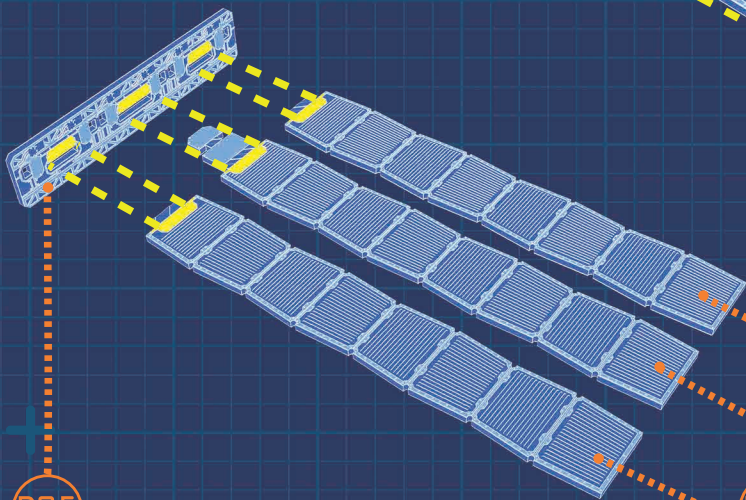
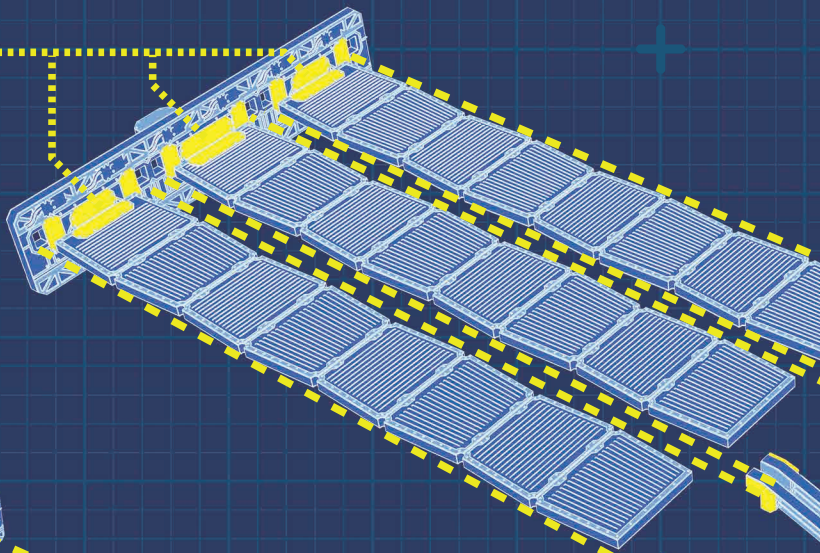
MORE INFO NEXT PAGE





A02





B02

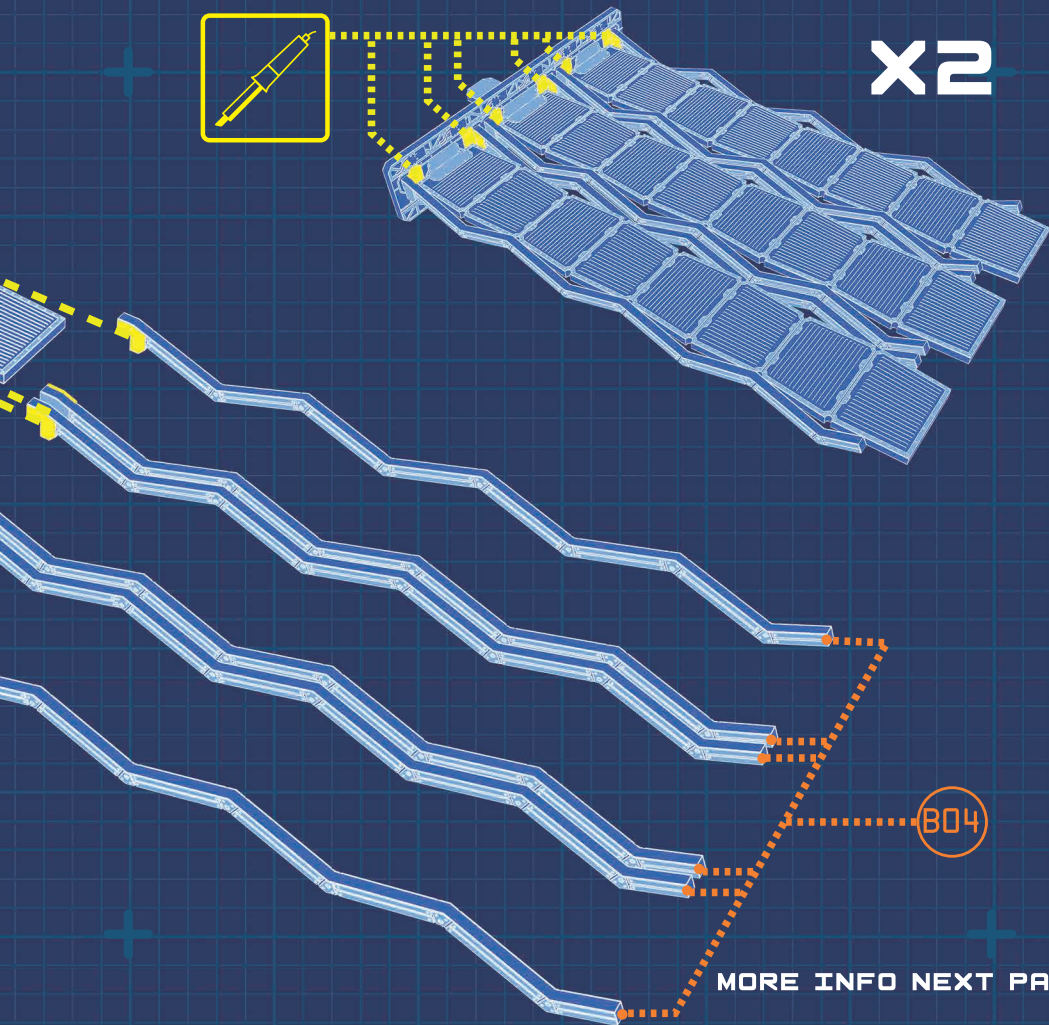
B03

B02

B05

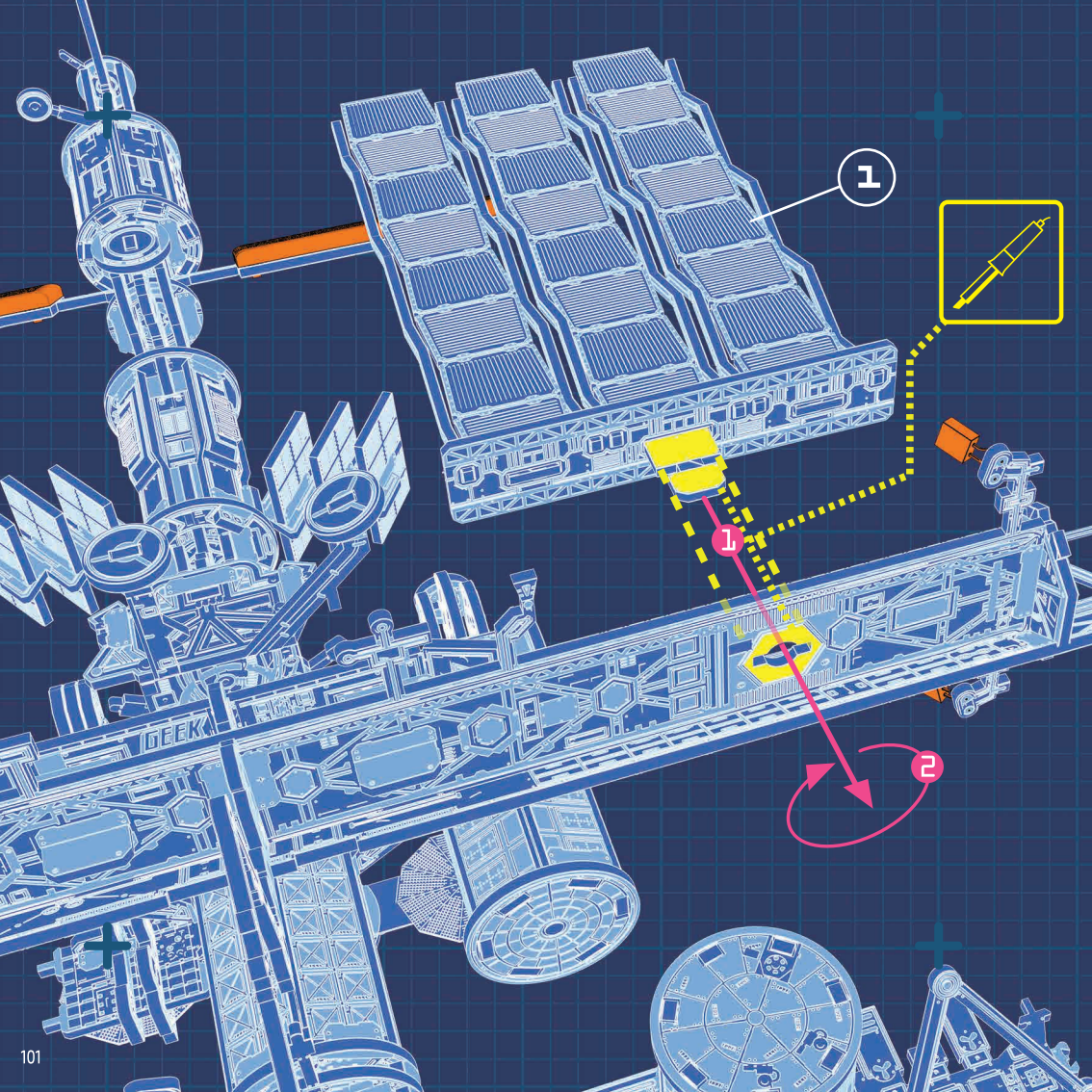


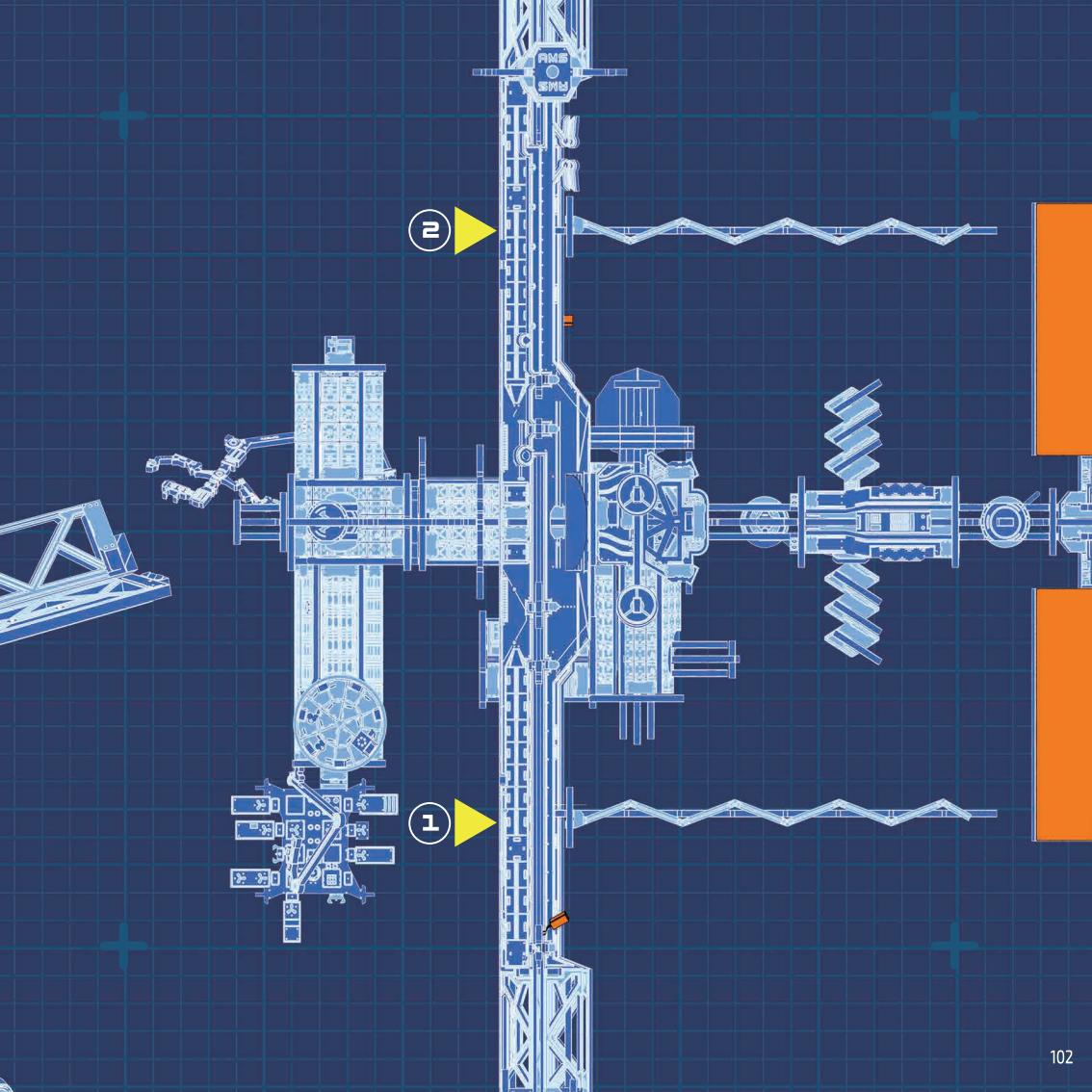
X2



MORE INFO NEXT PAGE



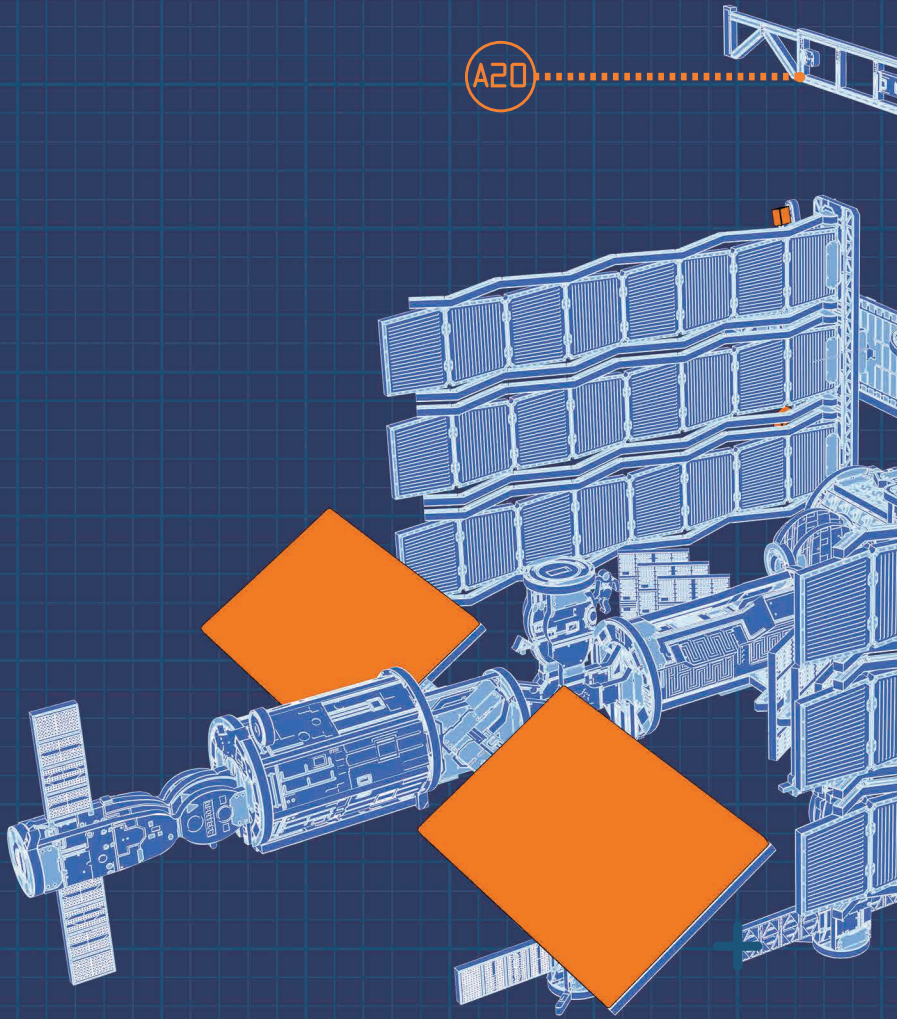




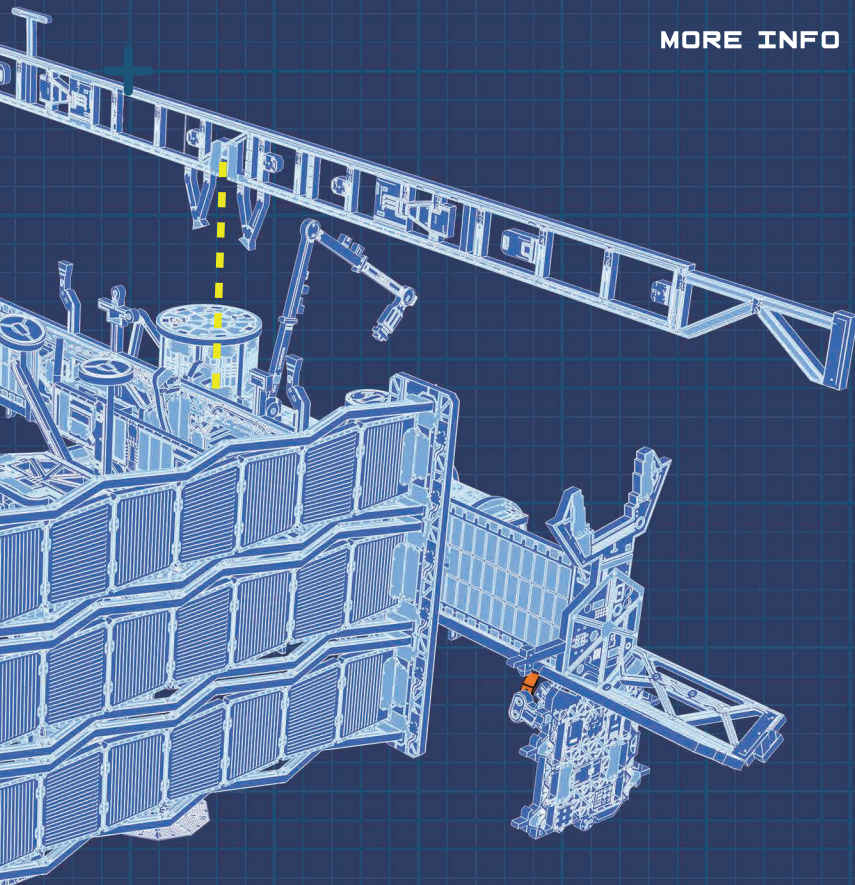
2

1

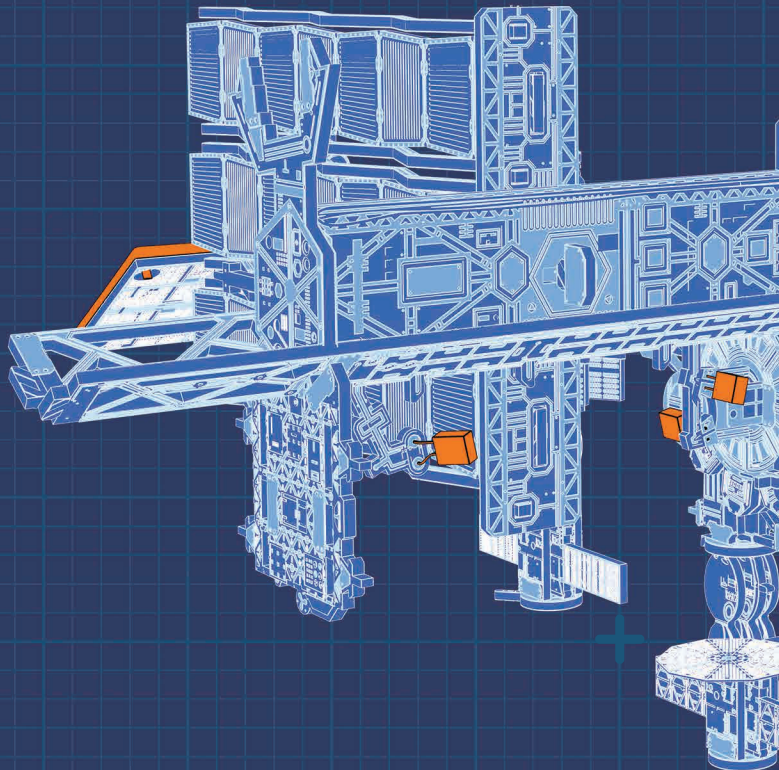
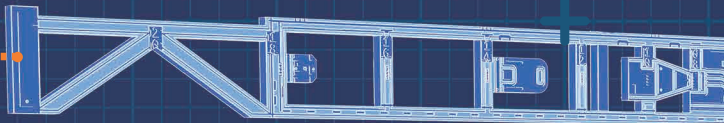
A20

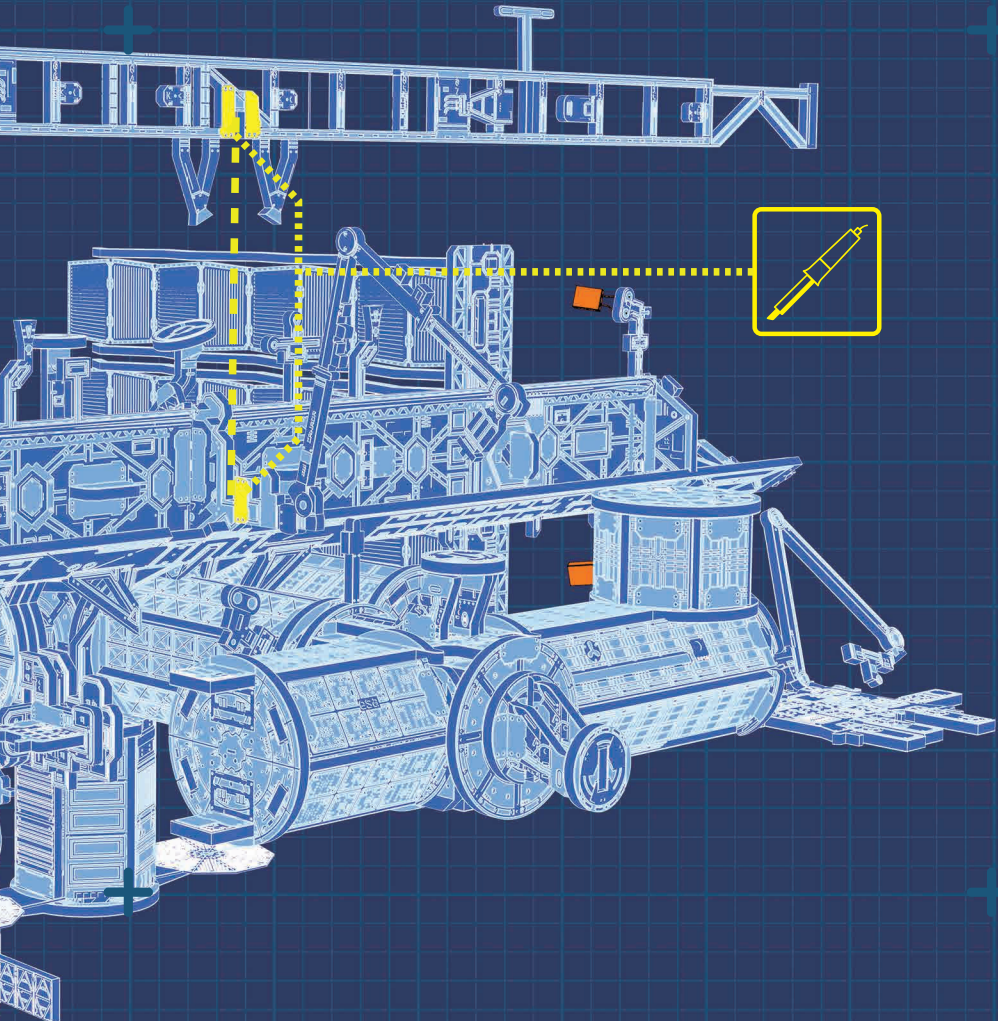


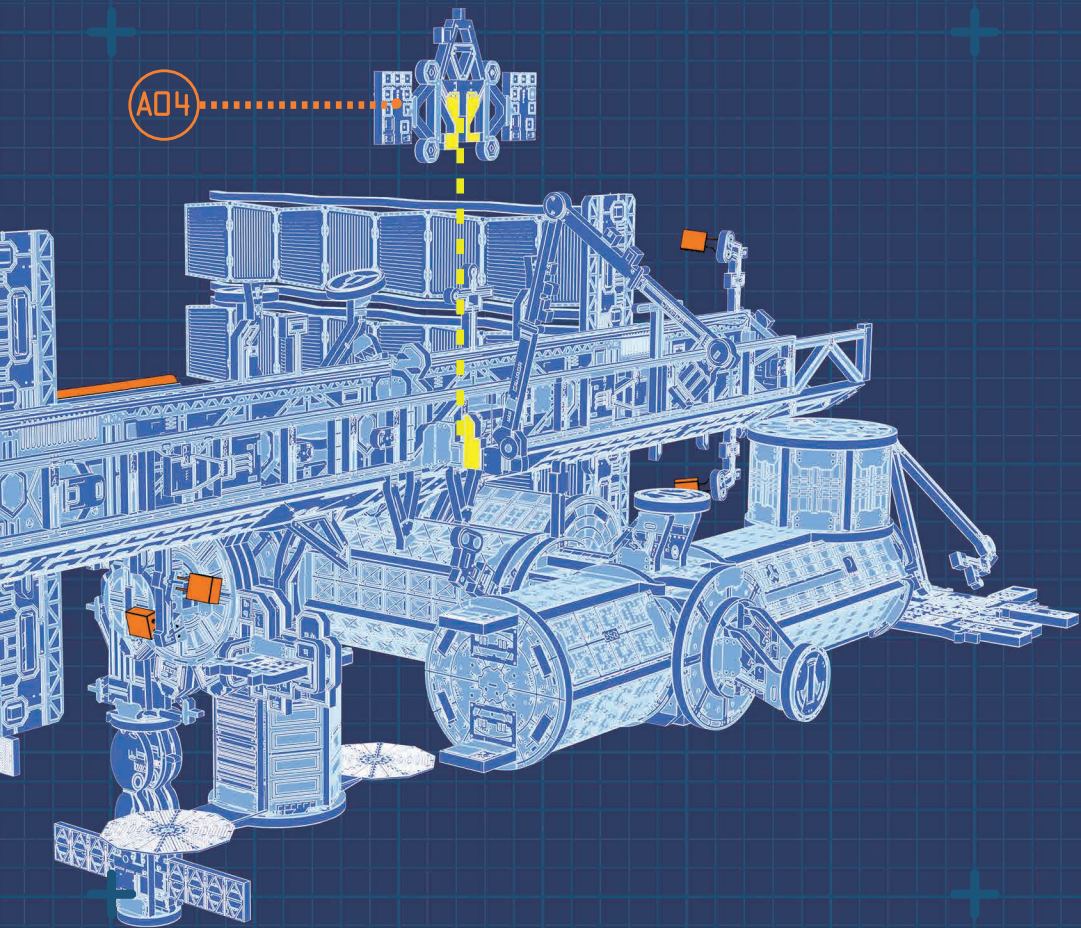
MORE INFO NEXT PAGE



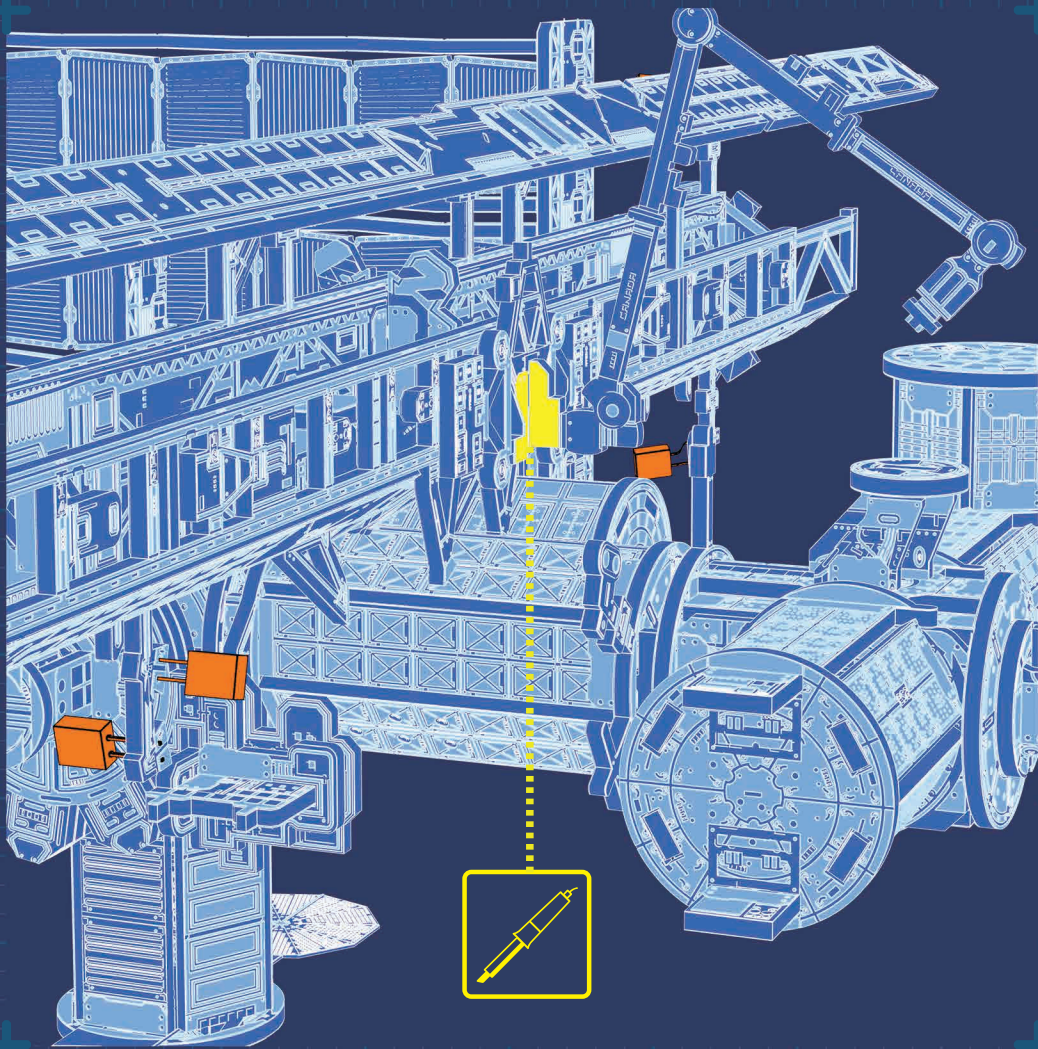
A20

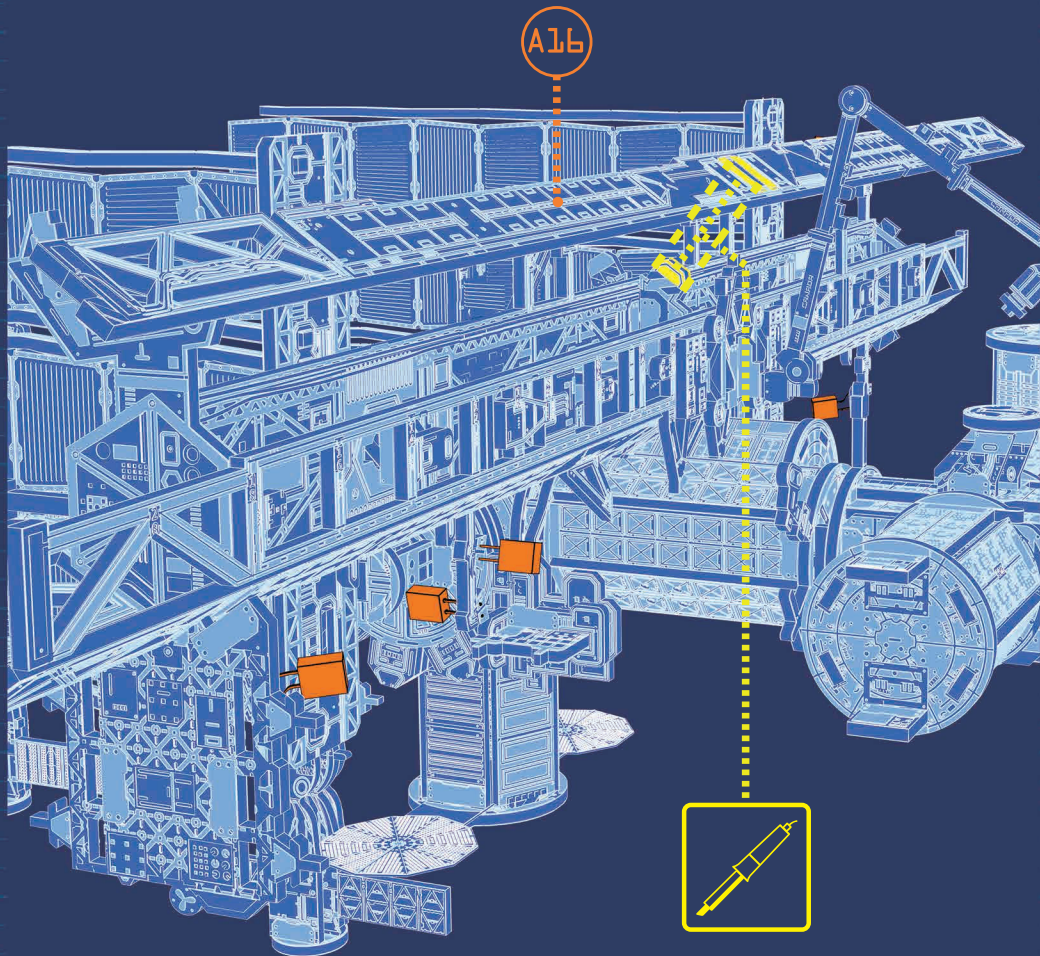




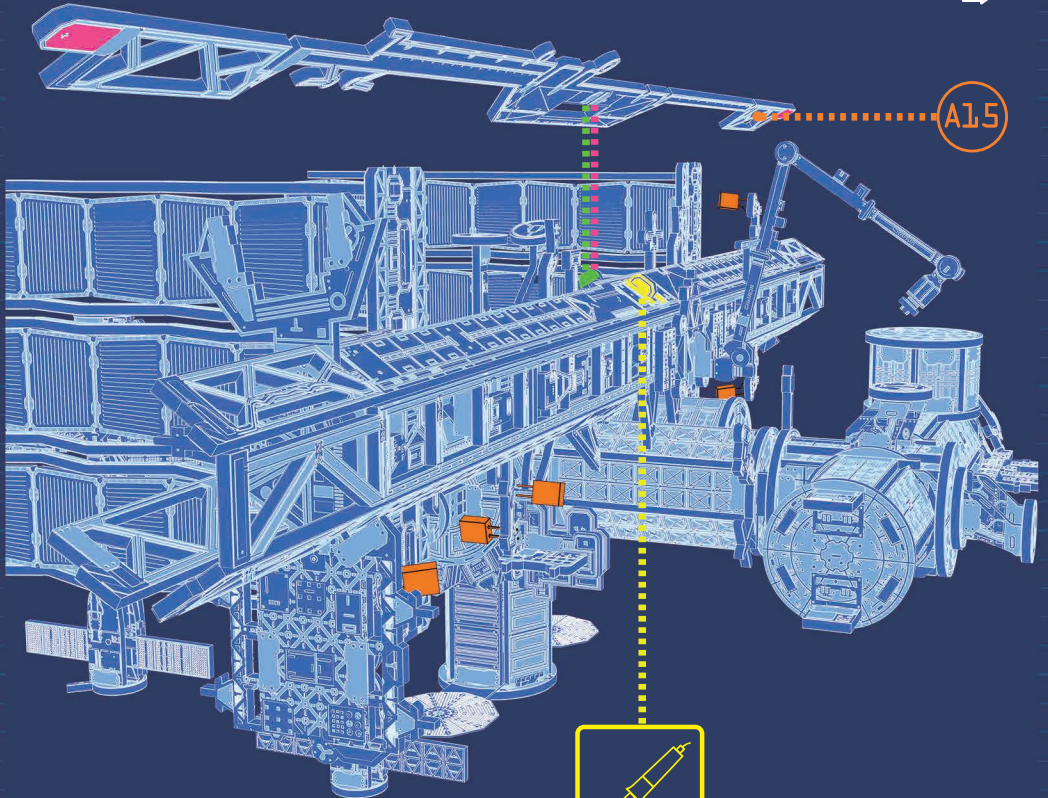


A04





MORE INFO NEXT PAGE



A1.5



CR2032

+

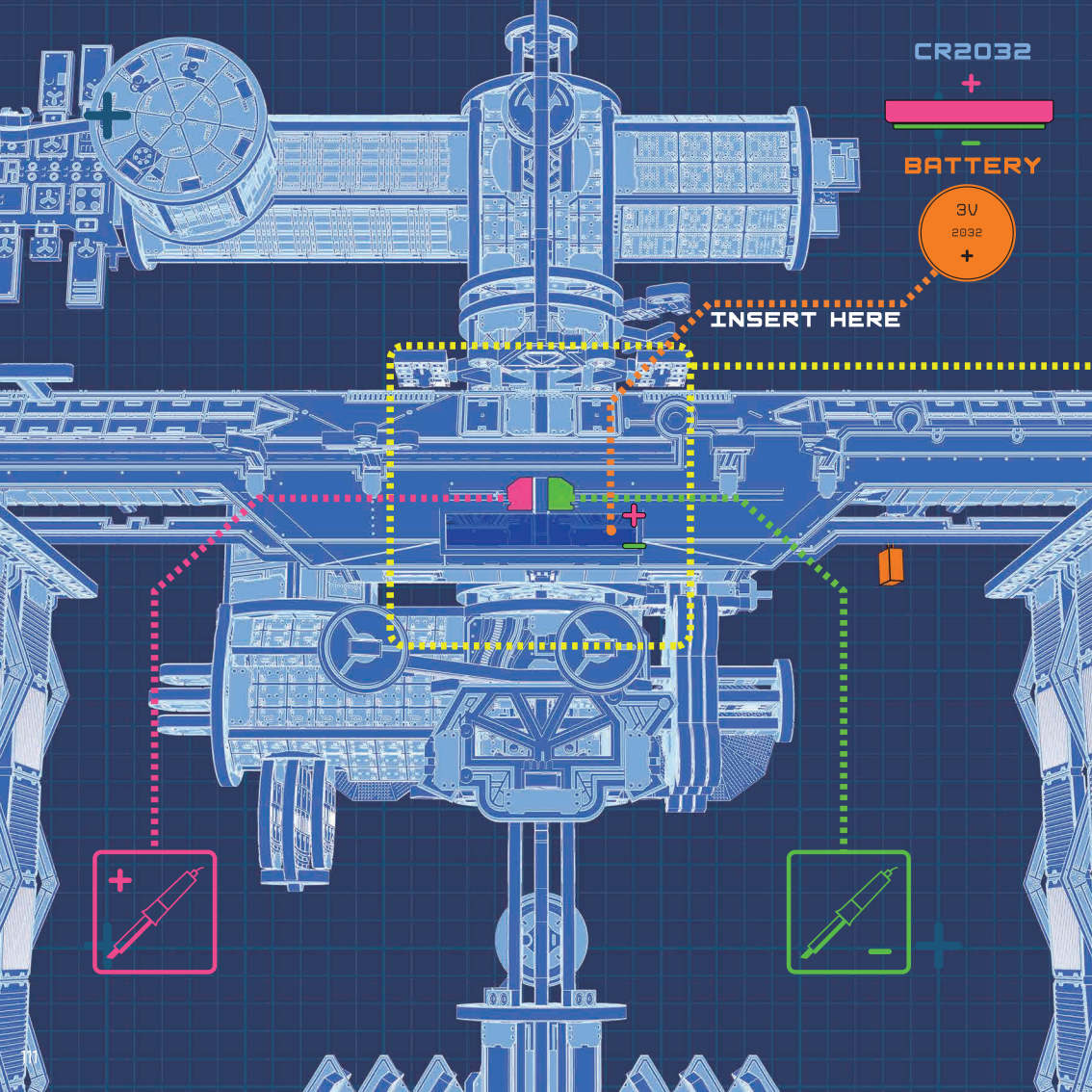
BATTERY

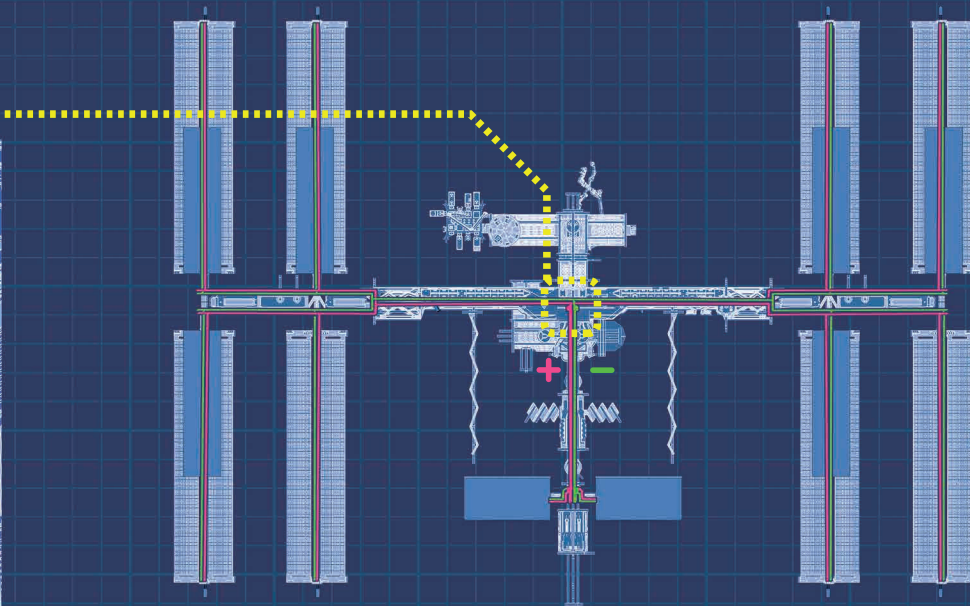
3V

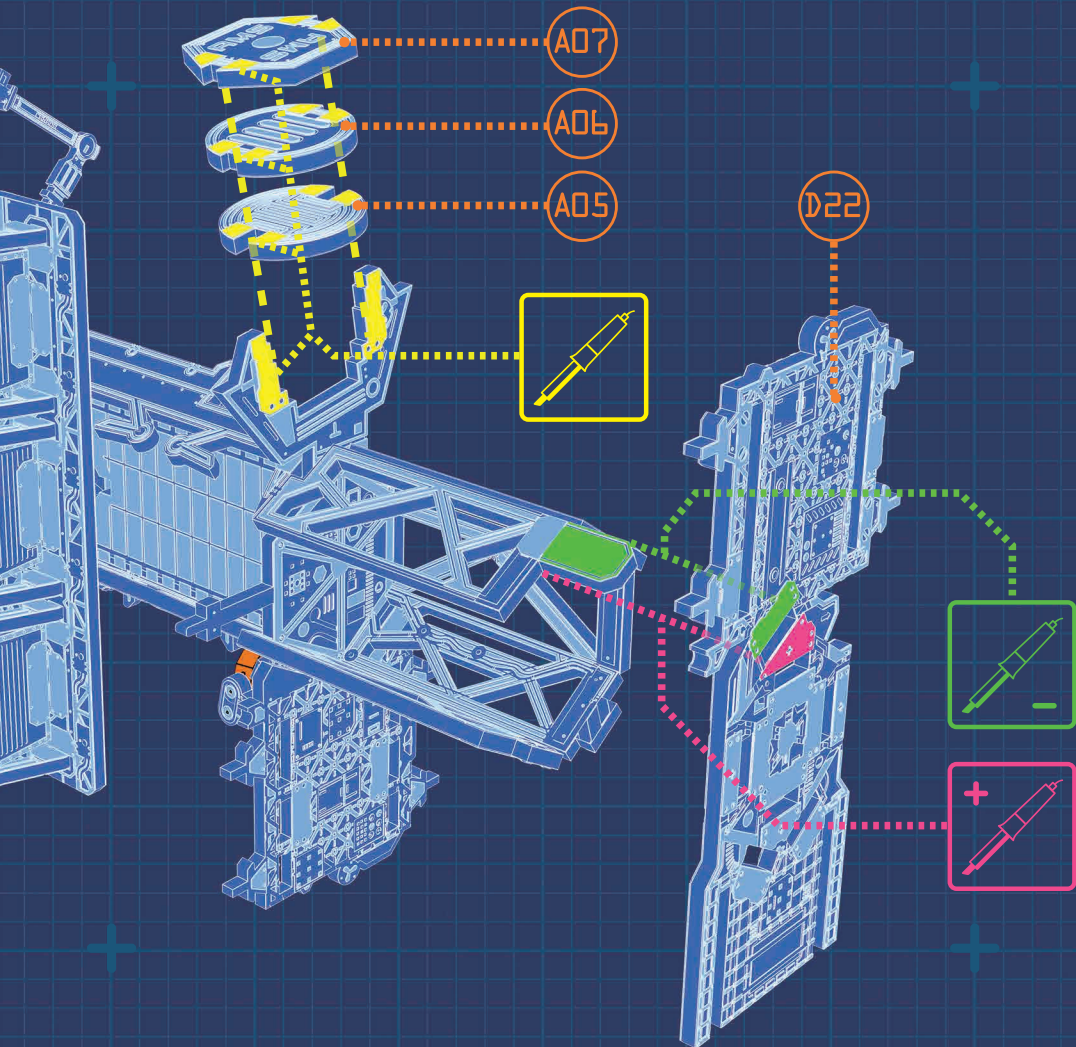
2032

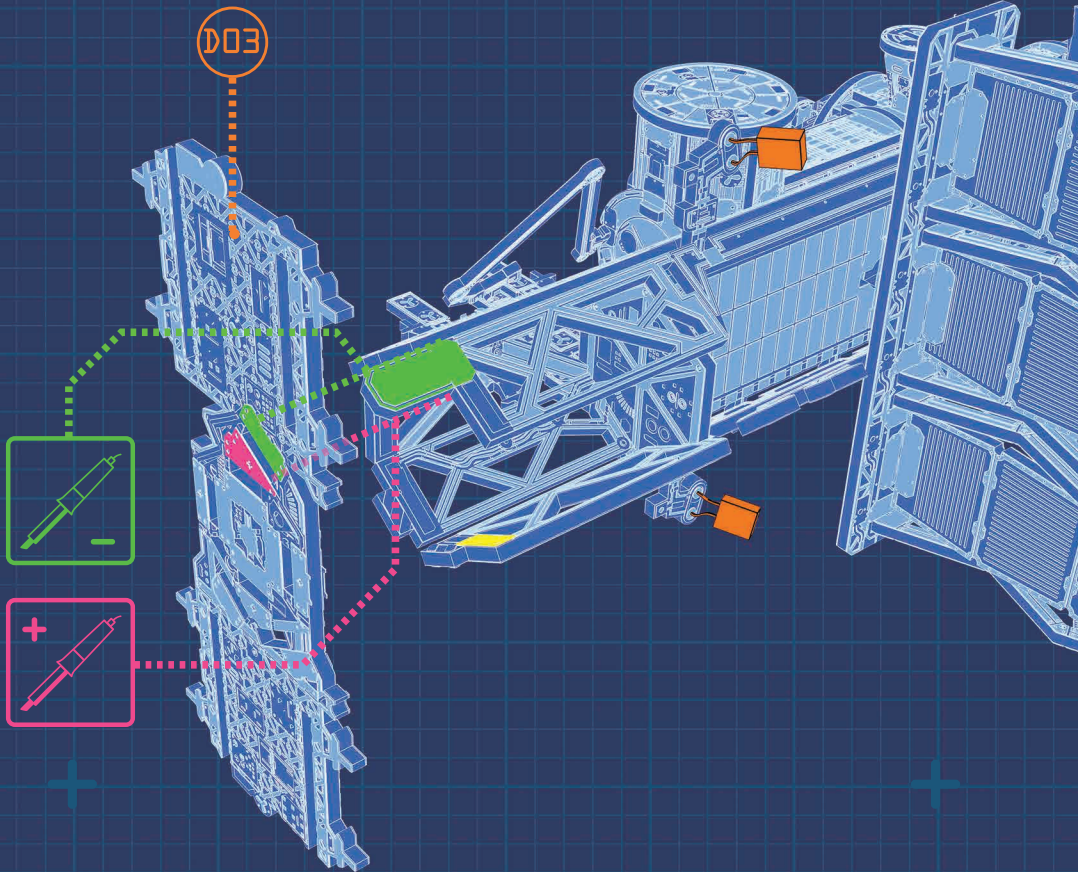
+

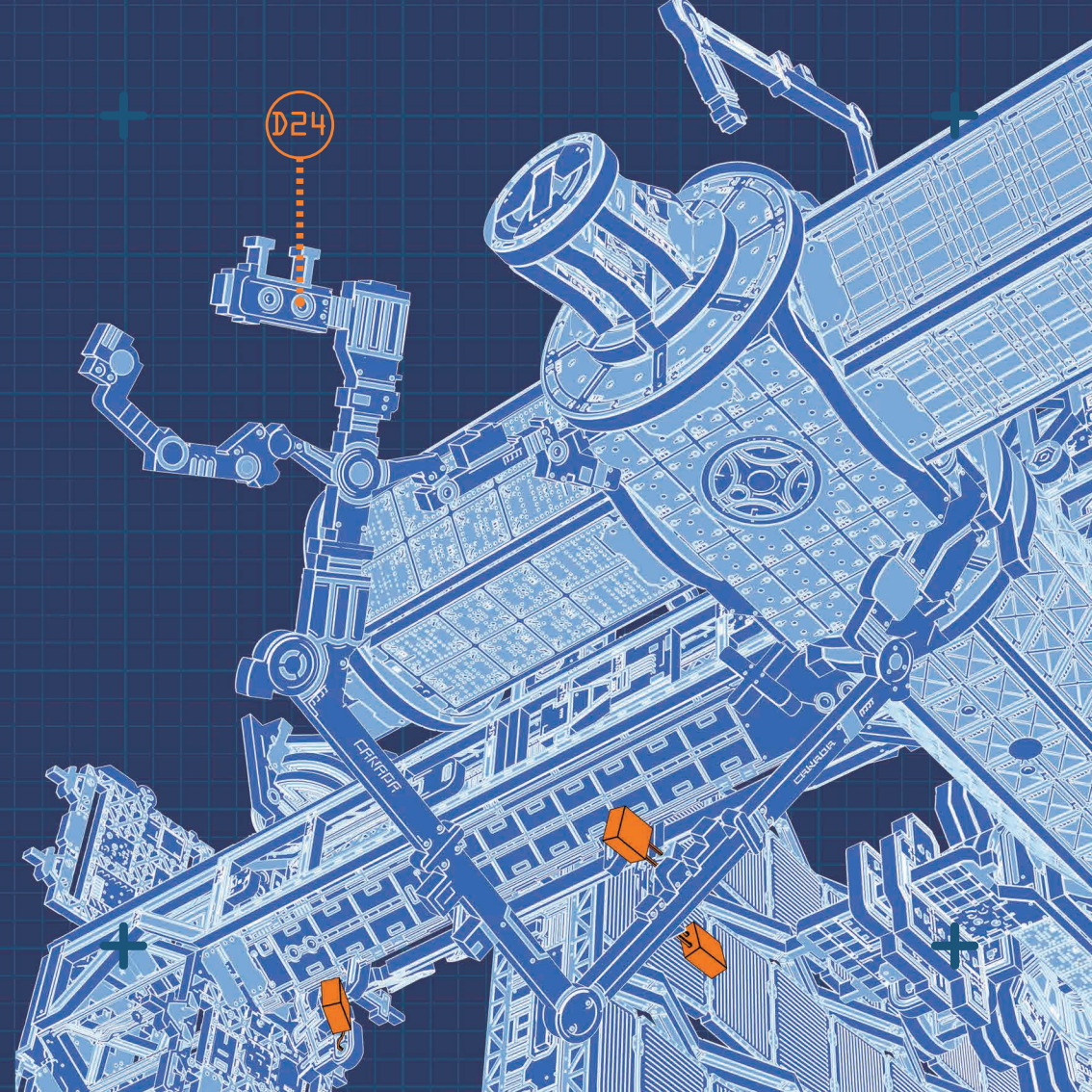
INSERT HERE







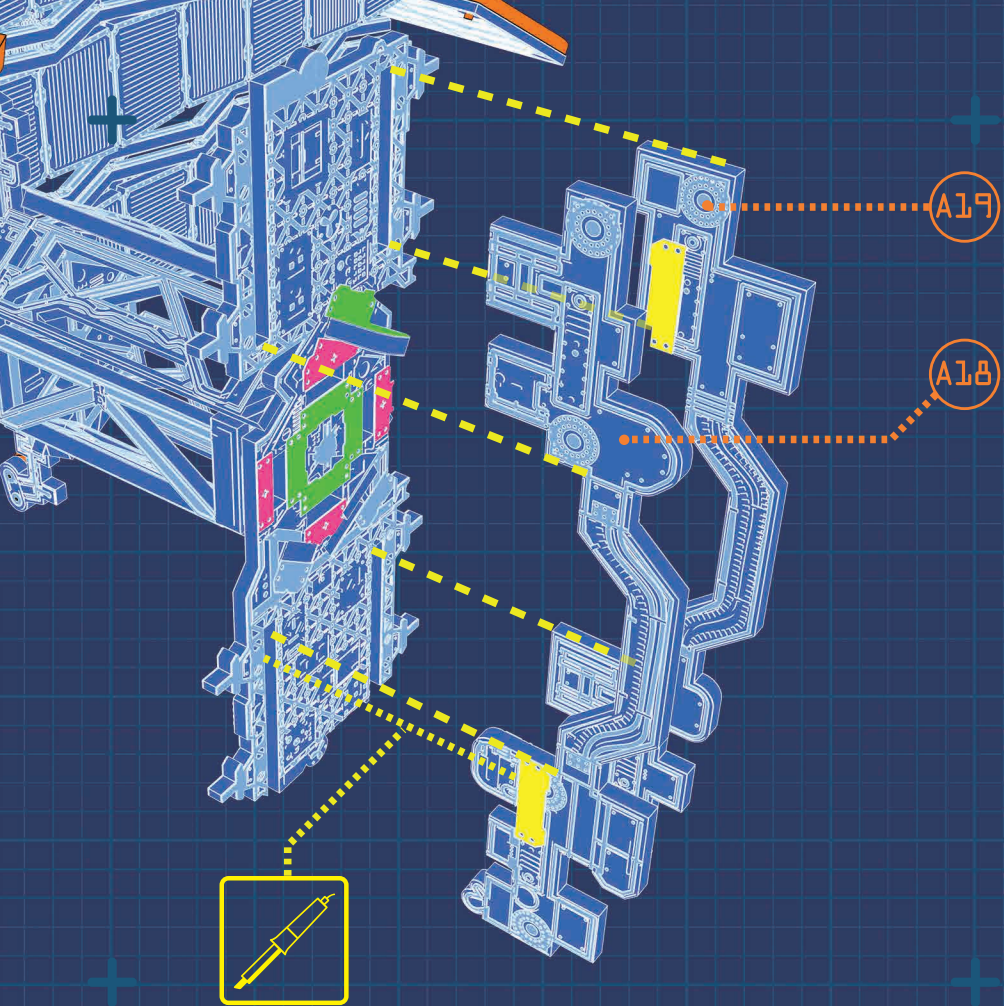


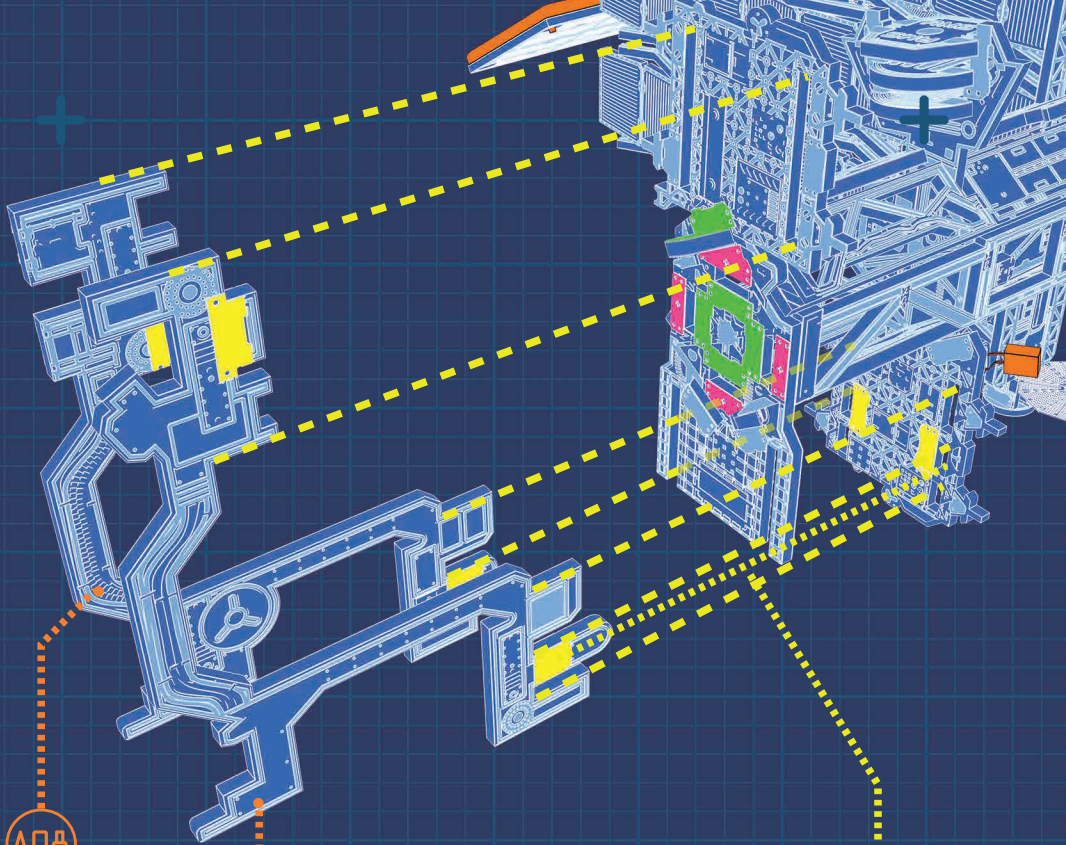


D24

CANADIAN

CANADIAN





A08

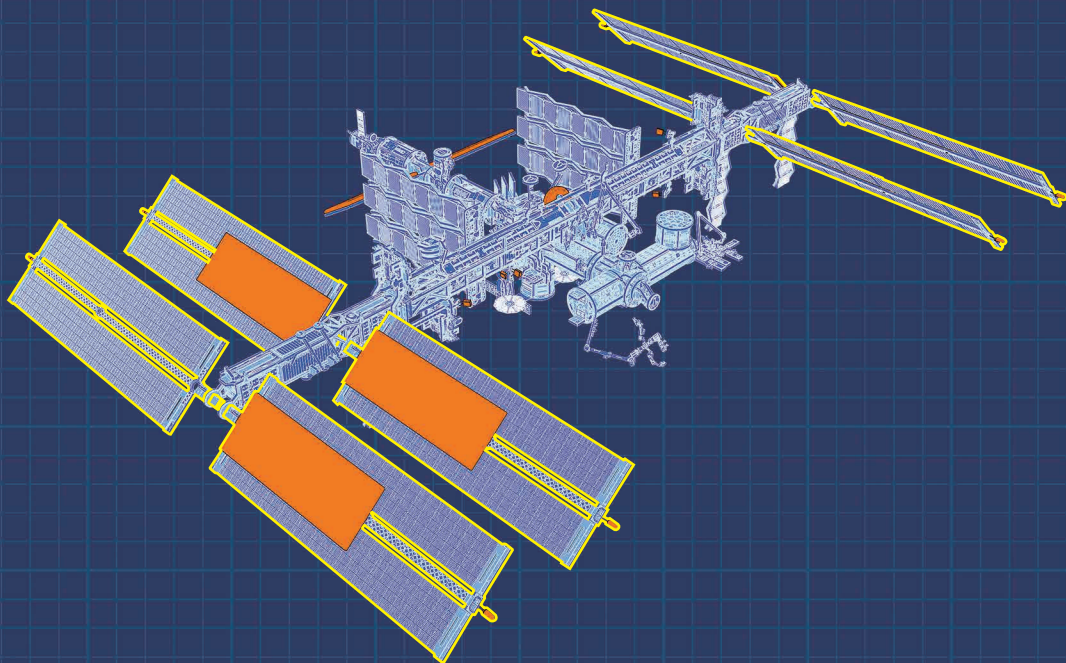
A09



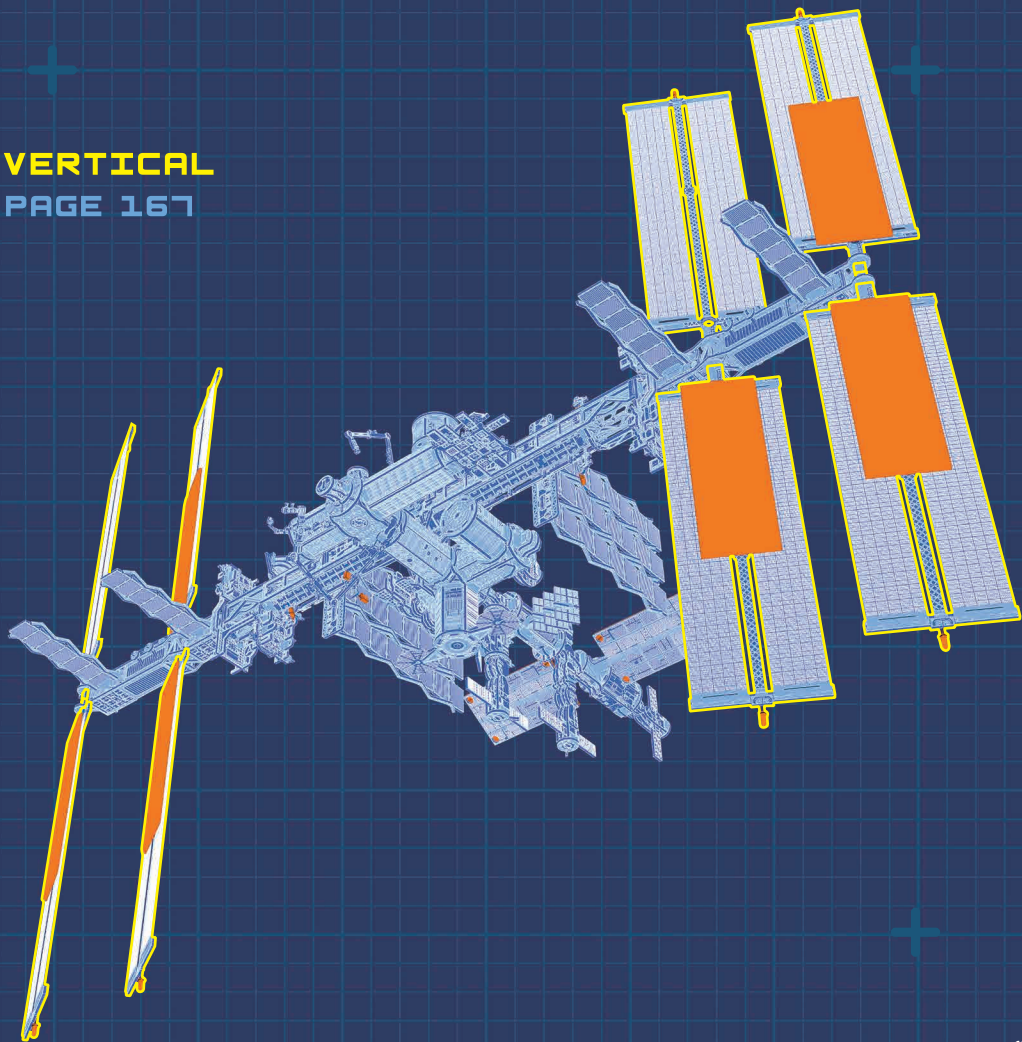
SOLAR ARRAYS ORIENTATION

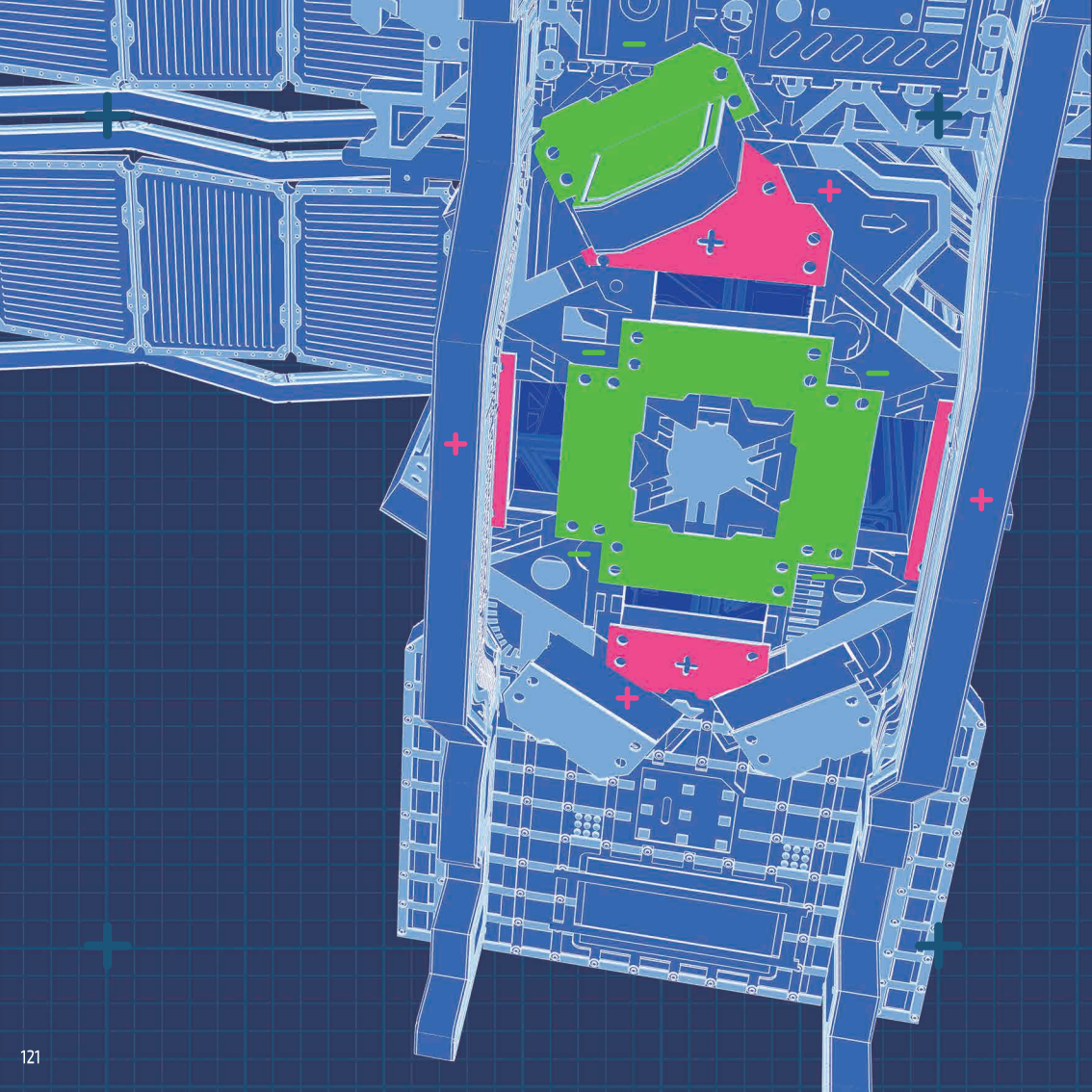
HORIZONTAL

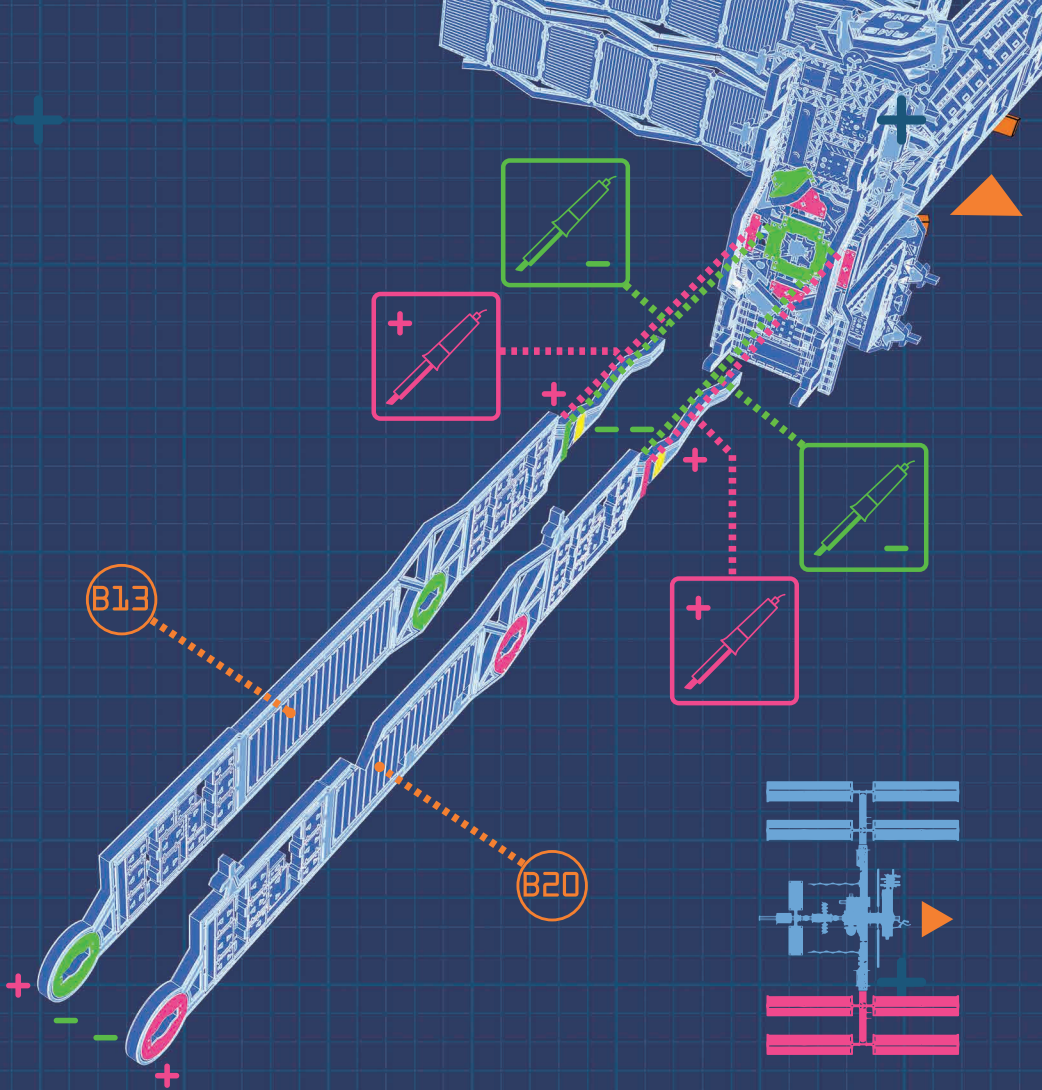
PAGE 121

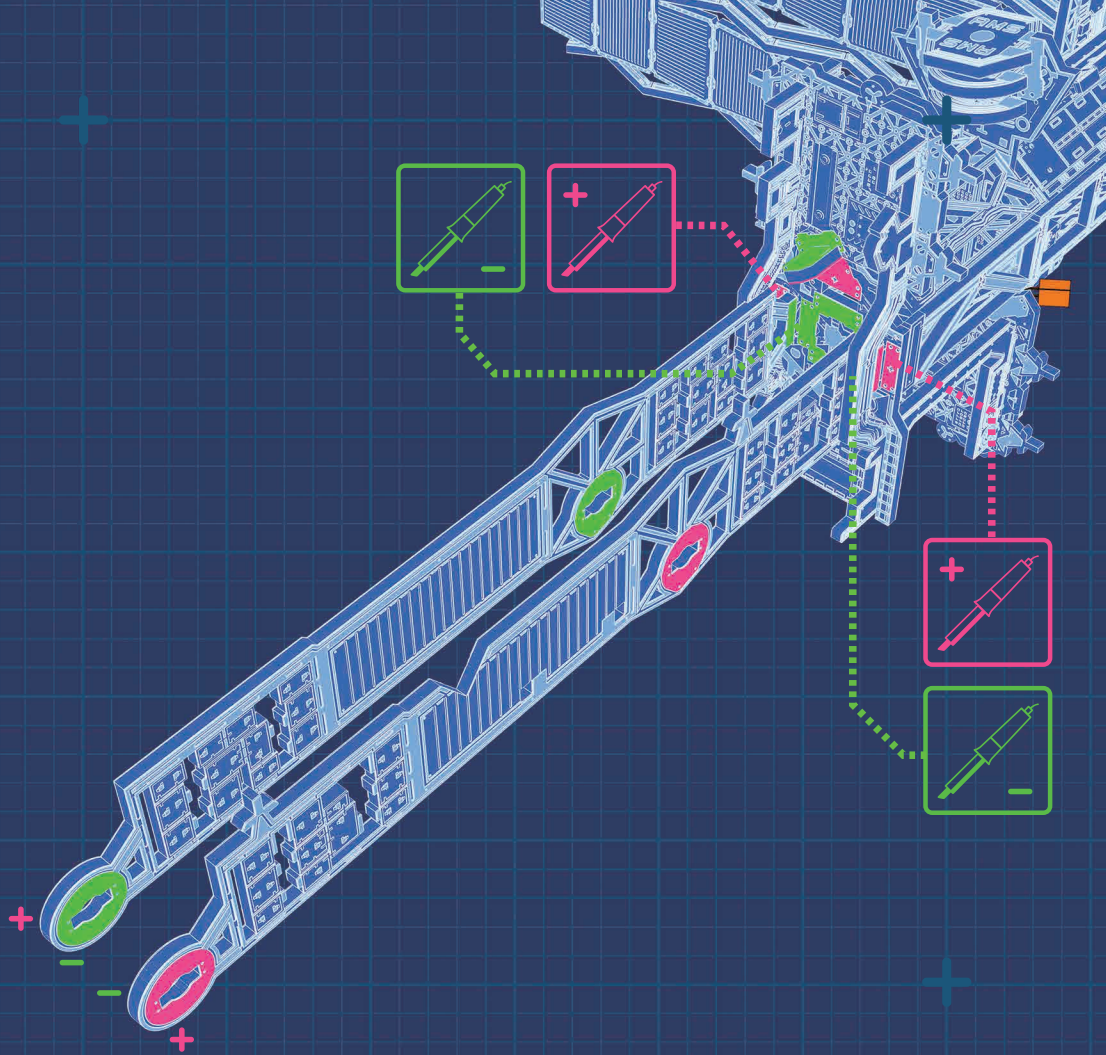


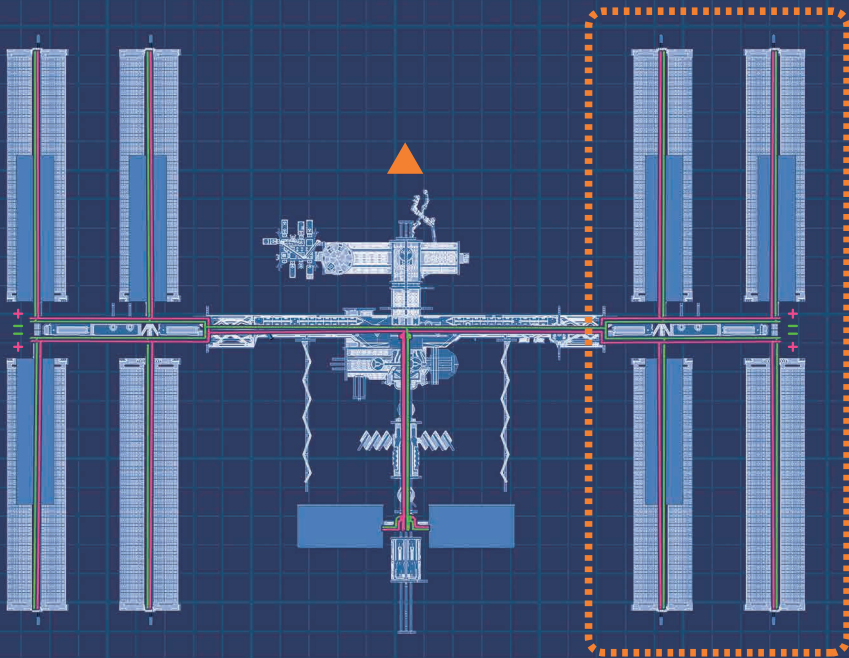
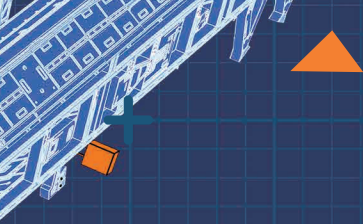
VERTICAL
PAGE 167

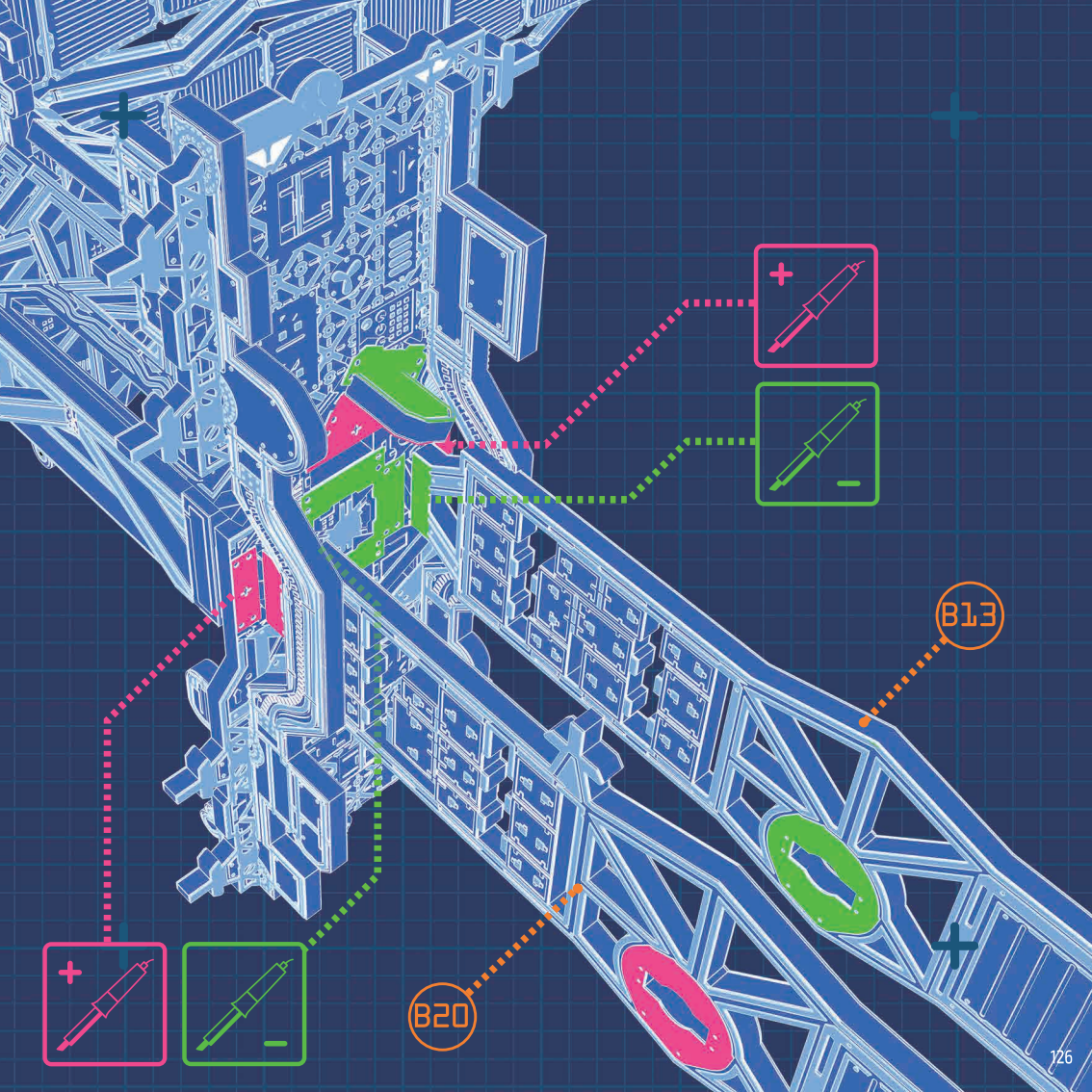








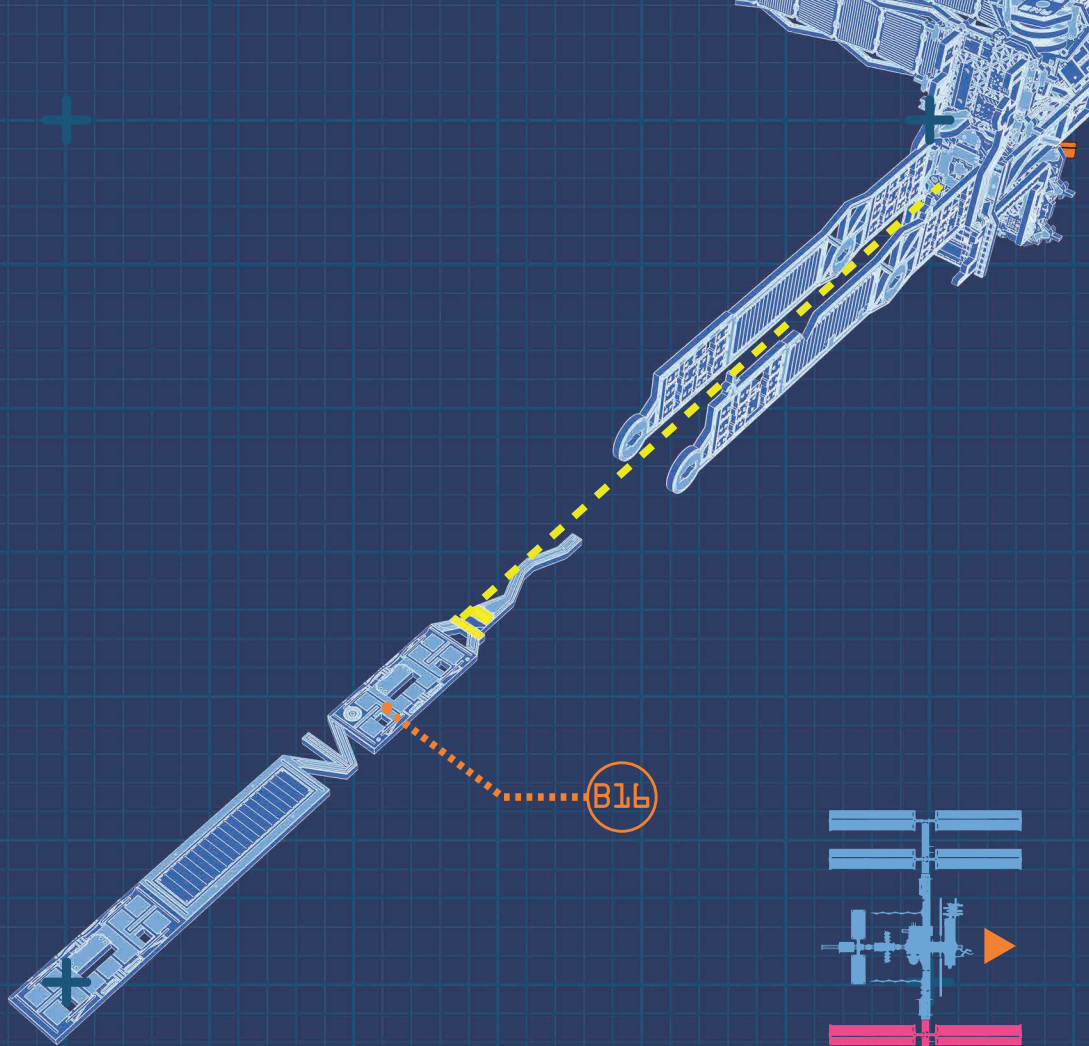


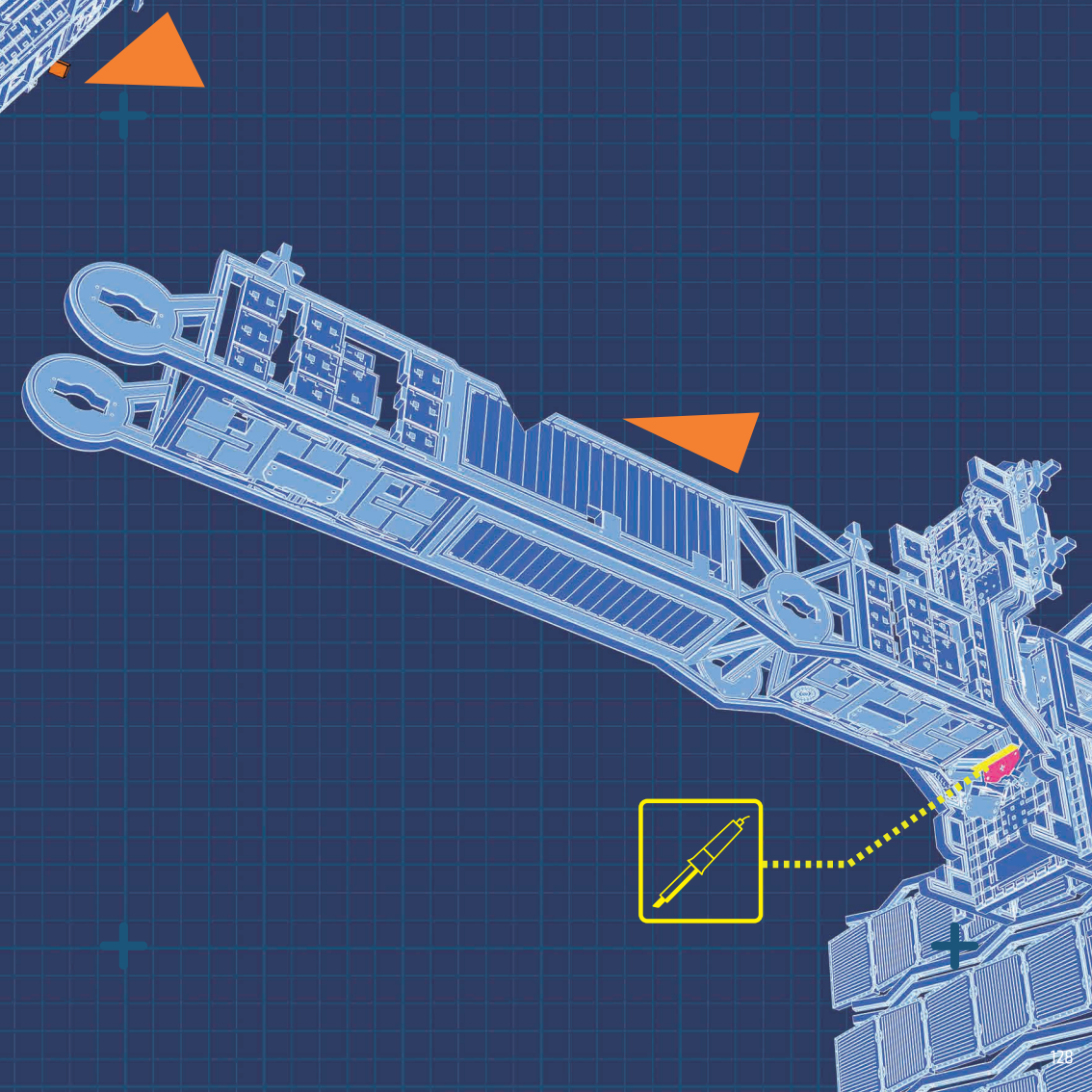


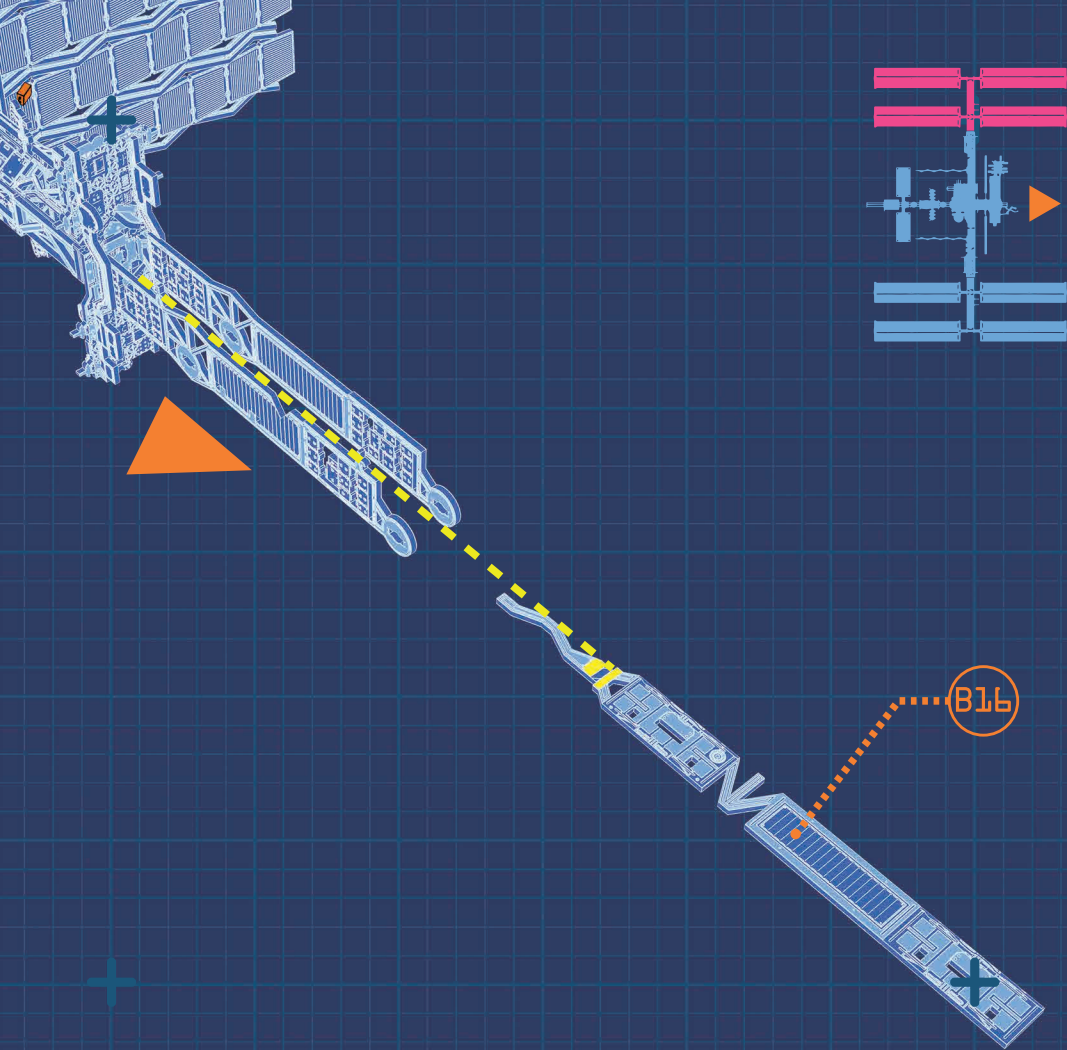
B20

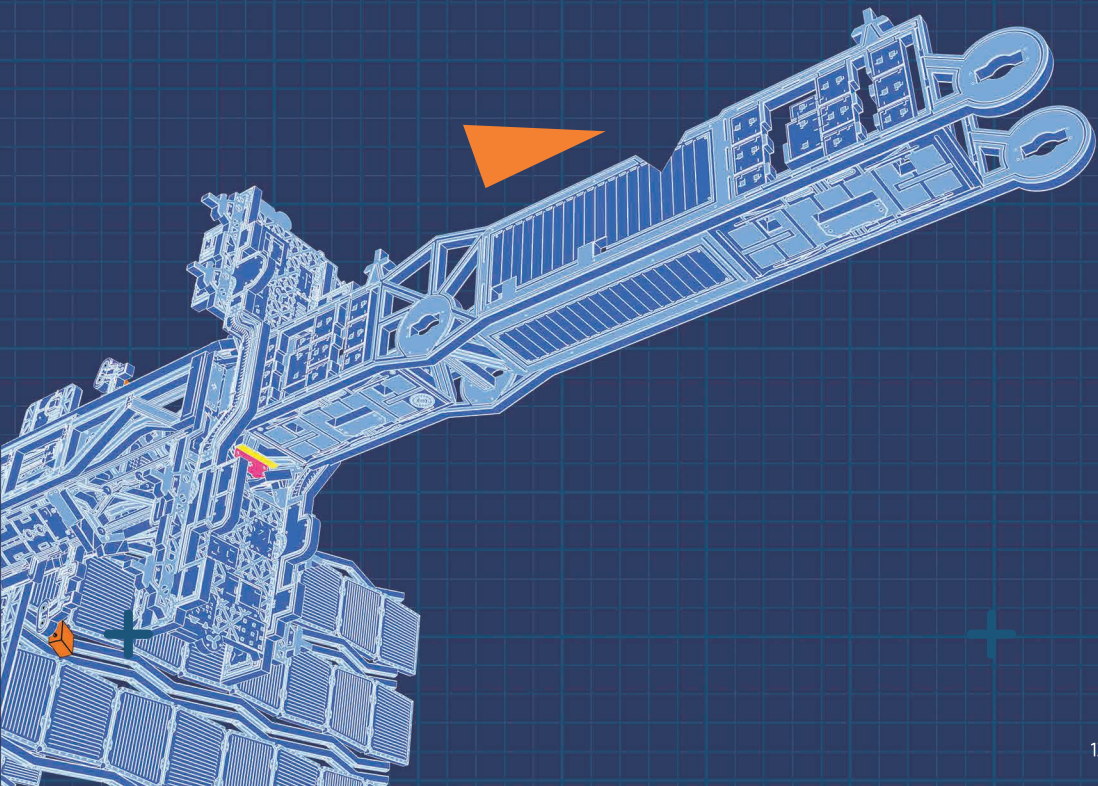


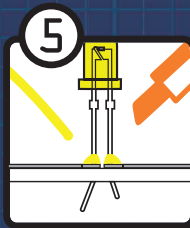
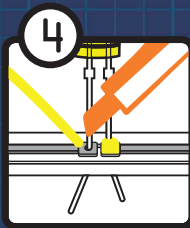
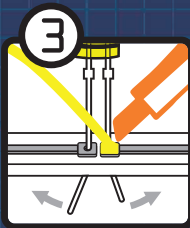
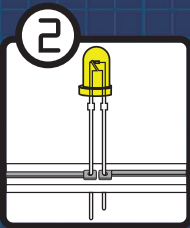
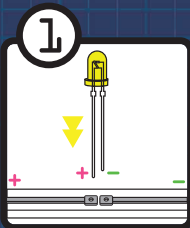
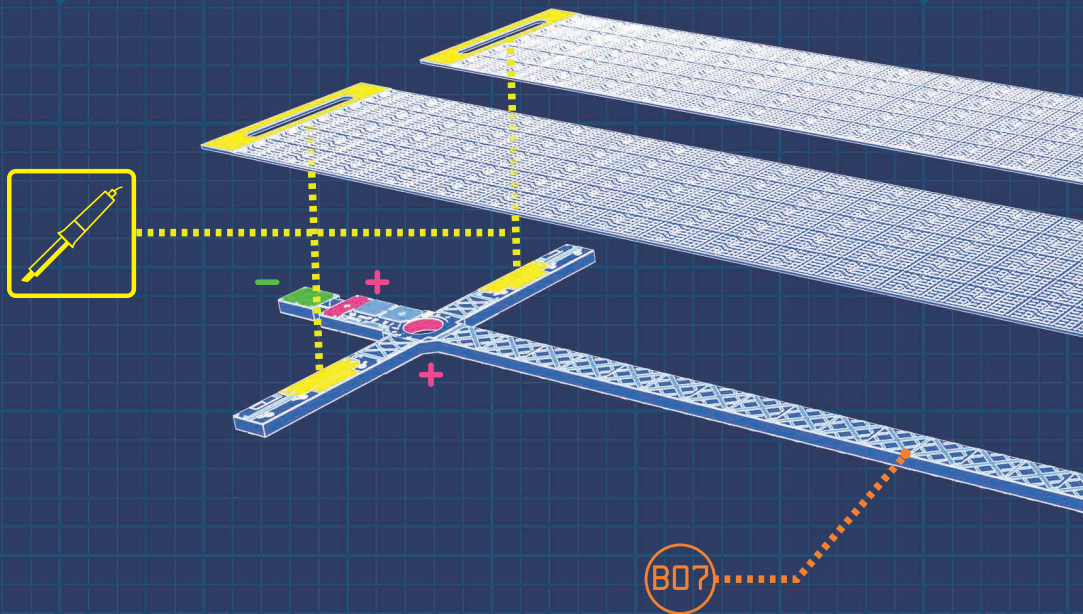
B13











X8

B01

B01

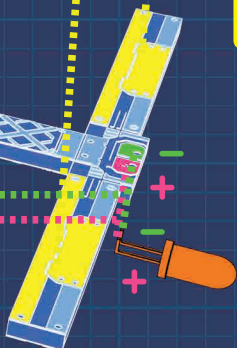


x8

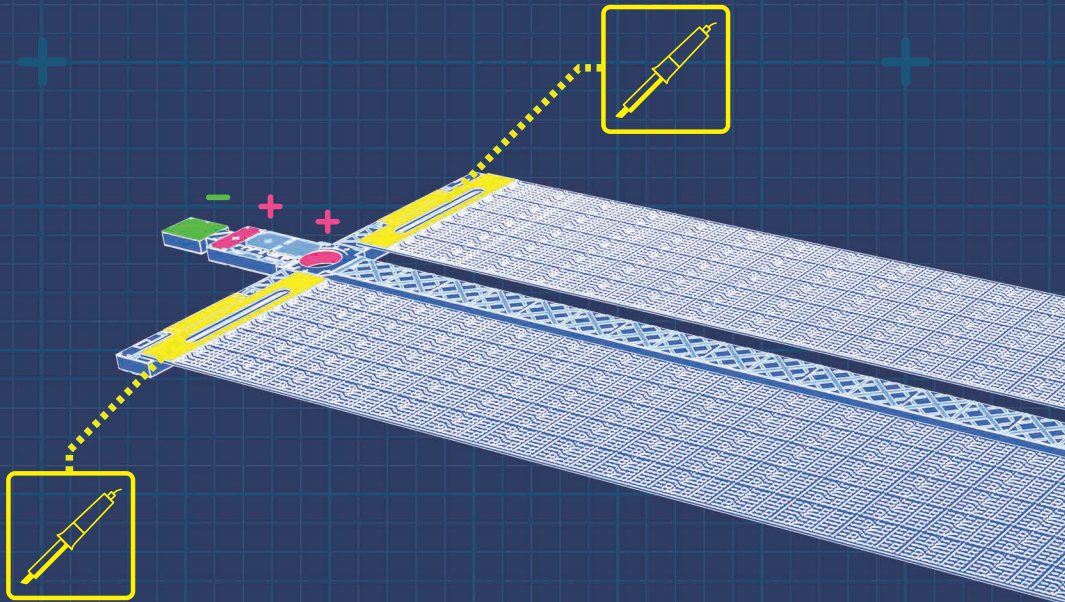
LED TH 3mm
Through-Hole

RED BLINKING

SCHEMATIC
IMAGE



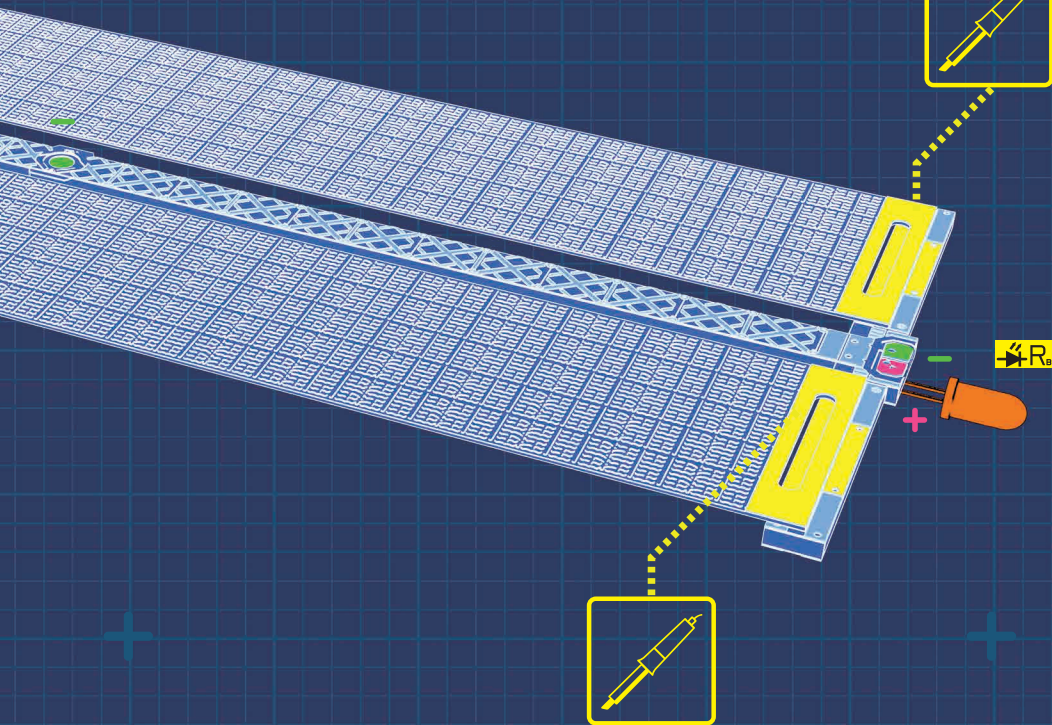
MORE INFO NEXT PAGE



MORE INFO NEXT PAGE



X8





X6


OPTIONAL

B01

B01

B07


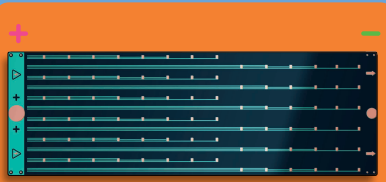
OPTIONAL

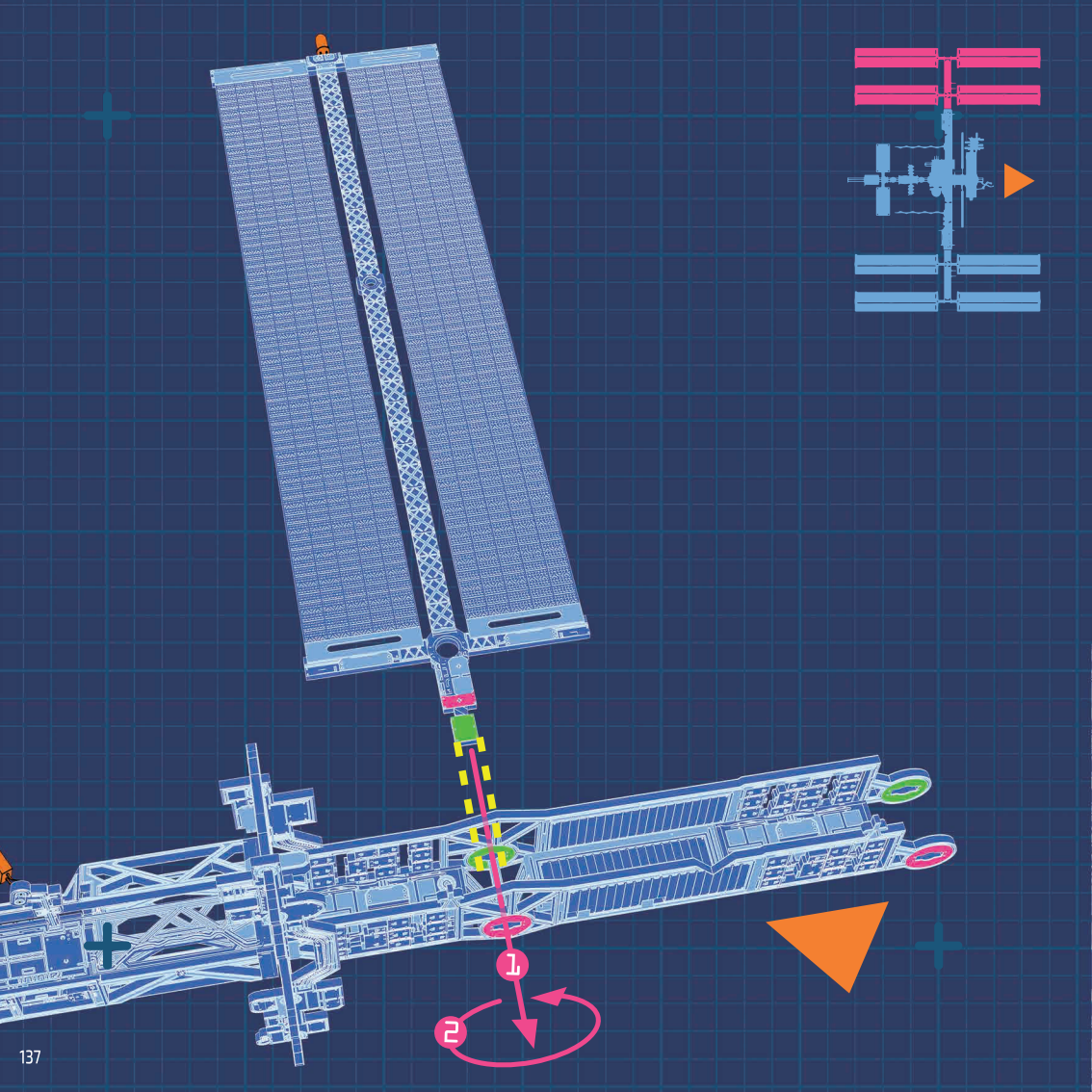


x6

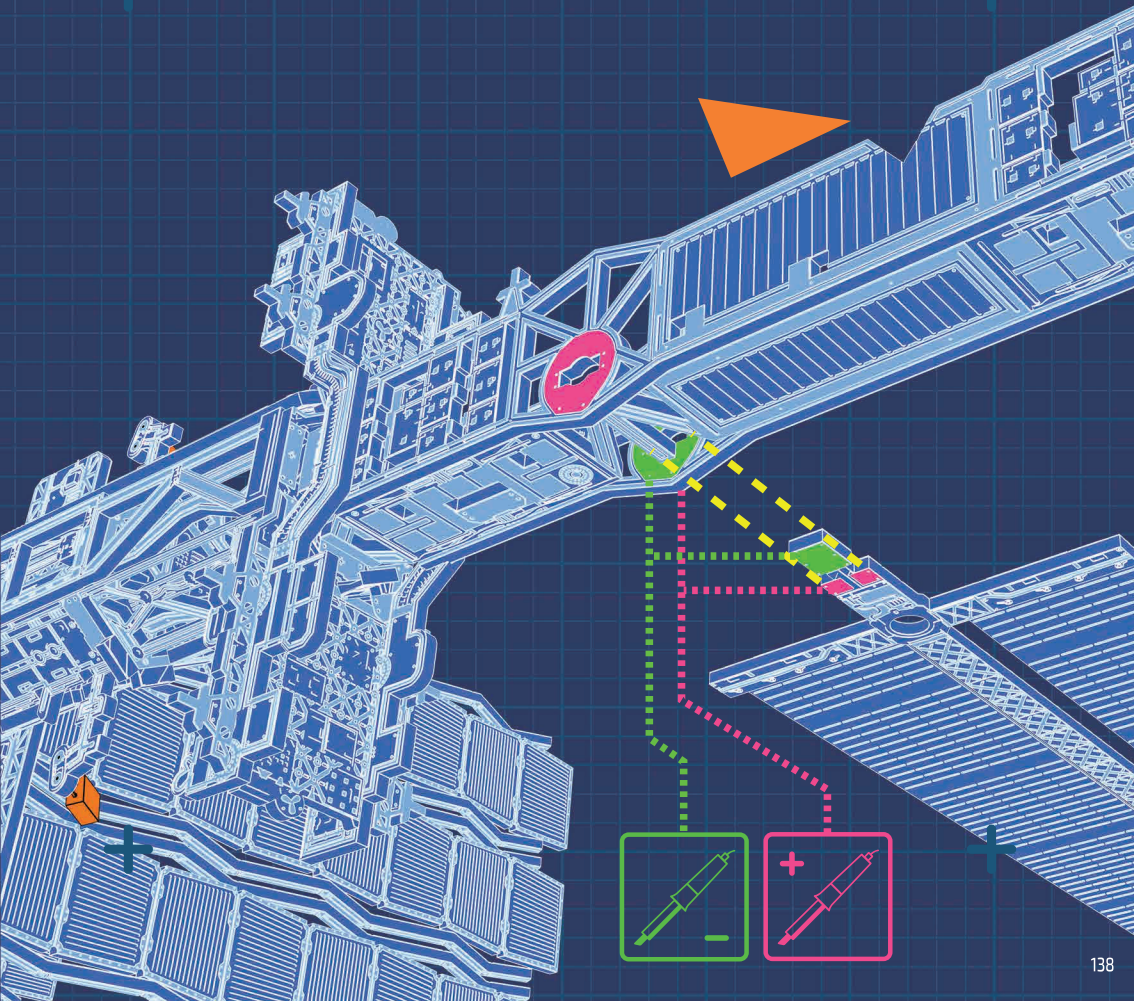
SOLAR PANEL

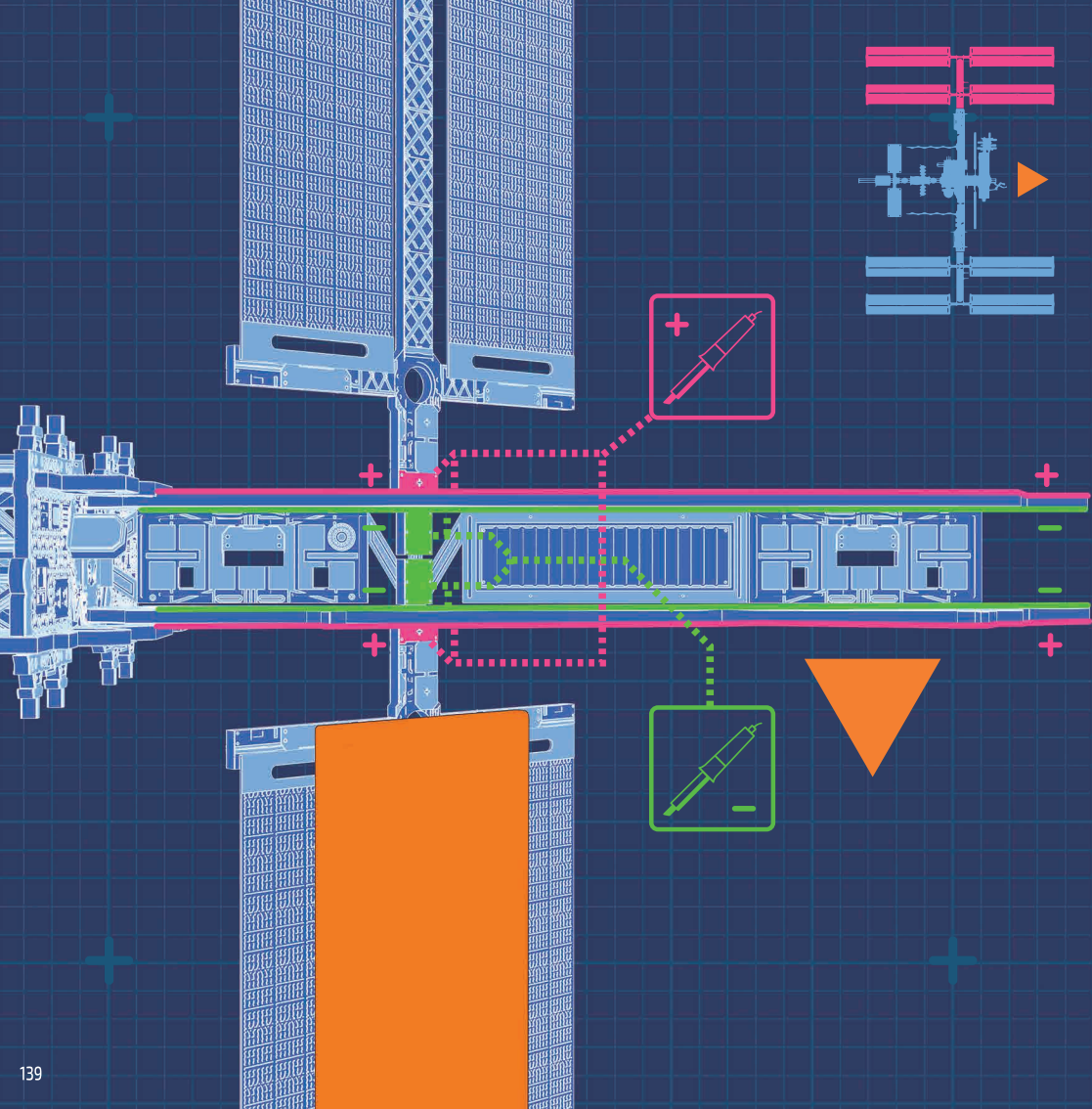
SCHEMATIC IMAGE

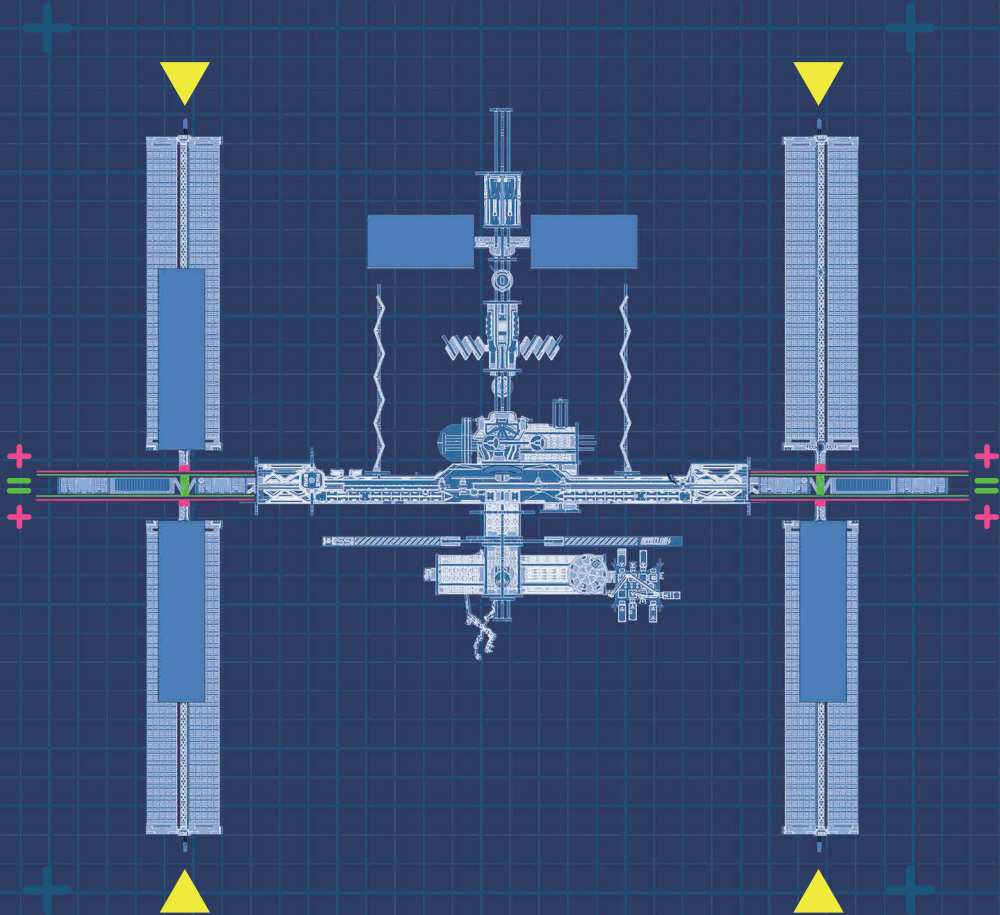



MORE INFO NEXT PAGE



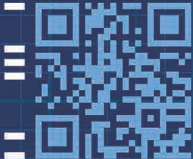




KEEP SAFE



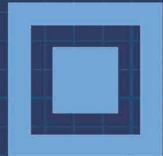
READ BEFORE FLIGHT



f/@ WE.ARE.GEEKCLUB

MORE FUN STUFF ON OUR WEBSITE !!!
A QUESTION ? SOME COMMENTS ?

WWW.GEEKCLUB.COM



KEEP SAFE