



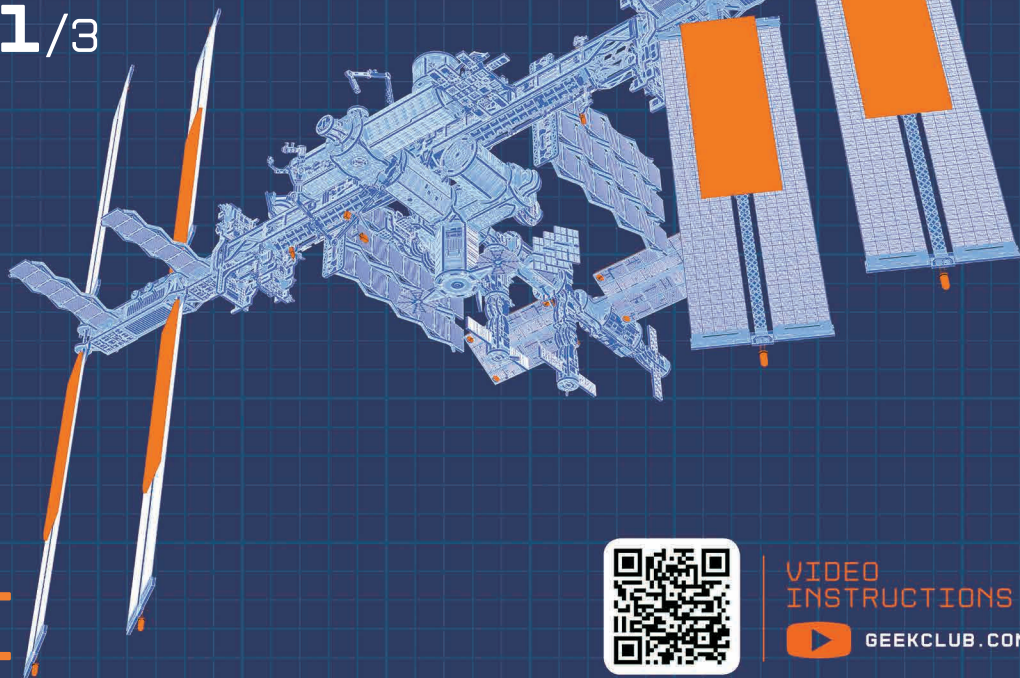
**GEEK
CLUB** ⚡

INSTRUCTION MANUAL

ISS

INTERNATIONAL
SPACE STATION

1/3



KEEP SAFE ▶

READ BEFORE FLIGHT



VIDEO
INSTRUCTIONS



GEEKCLUB.COM



SMALL COMPONENTS



CLIPPING ELEMENTS

RoHS

CERTIFIED



ADULT SUPERVISION



CHOKING HAZARD



LEAD FREE



THIS MIGHT HELP



FUN PCB

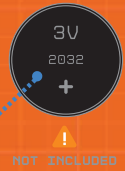


USING GLASSES WHEN SOLDERING

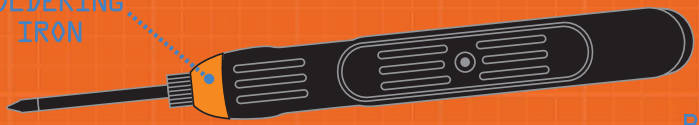
**ASSEMBLE AND SOLDER THIS KIT
IN A WELL-VENTILATED AREA**

READ BEFORE FLIGHT

TOOLS YOU NEED

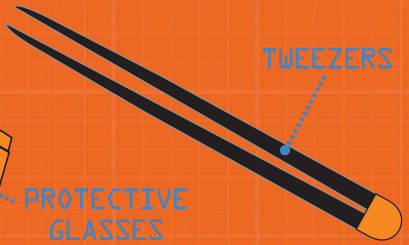


SOLDERING IRON

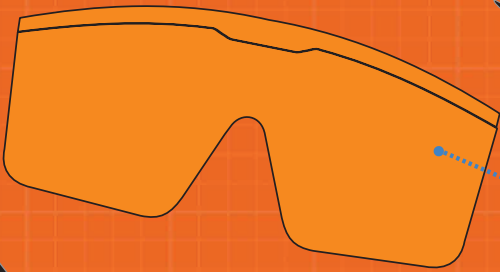


BATTERY

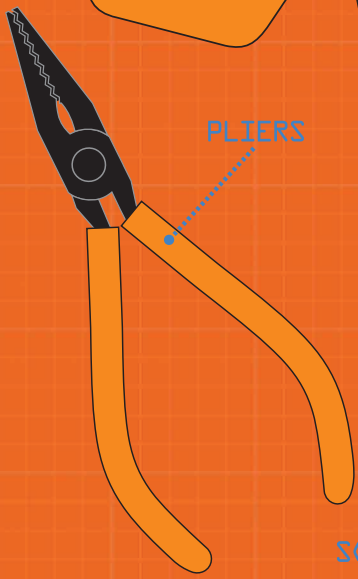
TWEEZERS



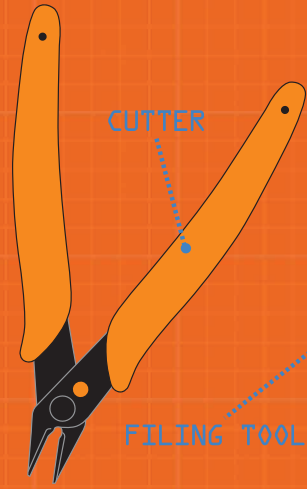
PROTECTIVE GLASSES



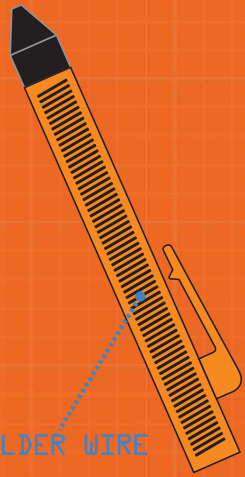
PLIERS



CUTTER



SOLDER WIRE

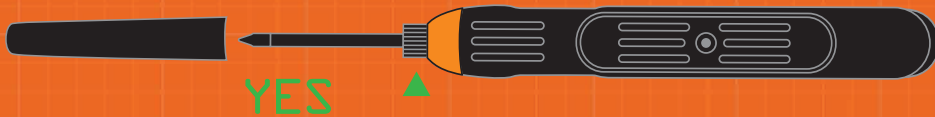


FILING TOOL

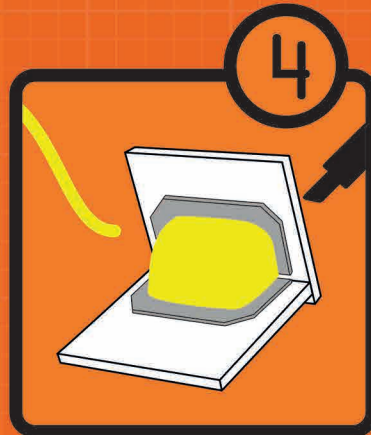
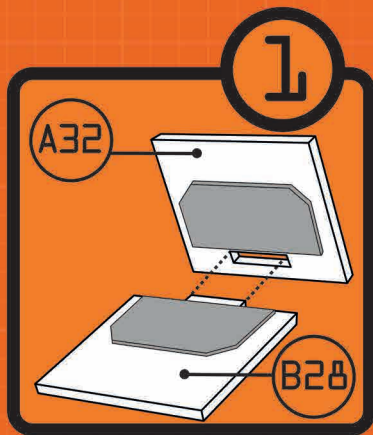


READ BEFORE FLIGHT

KEEP SAFE



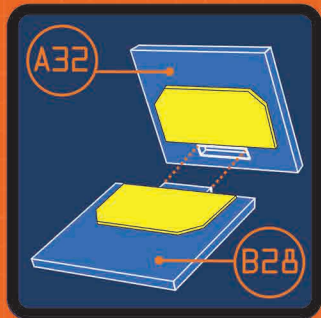
KEEP SAFE



NOTE:
FOR BEST QUALITY JOINTS, HEAT BOTH METAL PARTS WITH THE SOLDERING IRON IN QUICK SUCCESSION. ADD SOLDER BETWEEN THE METAL PARTS, DO NOT USE SOLDER ON THE ENTIRE PAD.

HOW TO READ THE INSTRUCTIONS_

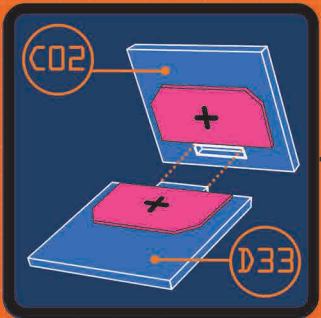
READ BEFORE FLIGHT



YELLOW PADS



SOLDER YELLOW ELEMENTS TOGETHER



PINK PADS



SOLDER PINK ELEMENTS MARKED WITH + TOGETHER



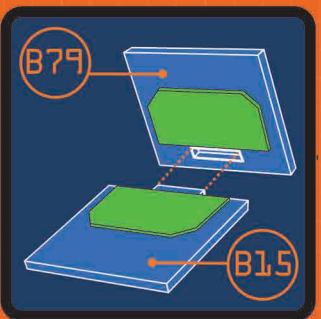
OPTIONAL SOLDERING YOU CAN SOLDER THE LED PINS FOR EXTRA GRIP



SOLDER + WITH + AND - WITH -



SOLDER PINK ELEMENTS MARKED WITH - TOGETHER



GREEN PADS



OPTIONAL SOLDERING YOU CAN SOLDER THE LED PINS FOR EXTRA GRIP

KEEP SAFE ▶

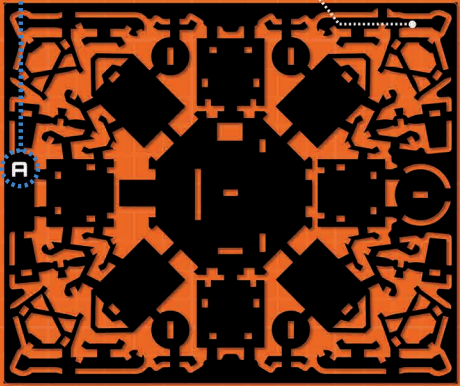
EACH PART IS MARKED WITH A LETTER AND NUMBER

THIS CODE INDICATES THE PART'S LOCATION

THE LETTER CORRESPONDS TO THE BOARD. THE NUMBER SHOWS ITS LOCATION ON SAID BOARD

A32

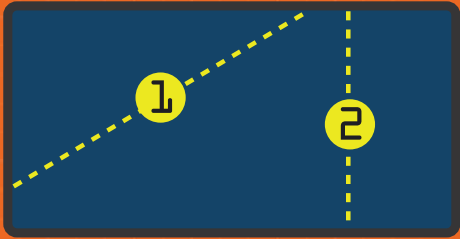
B28



BOARD A



BOARD B



PROCEED STEP BY STEP FOLLOWING AN ASCENDING ORDER

1 ▶ 2 ▶ 3 ▶ ...

READ BEFORE FLIGHT

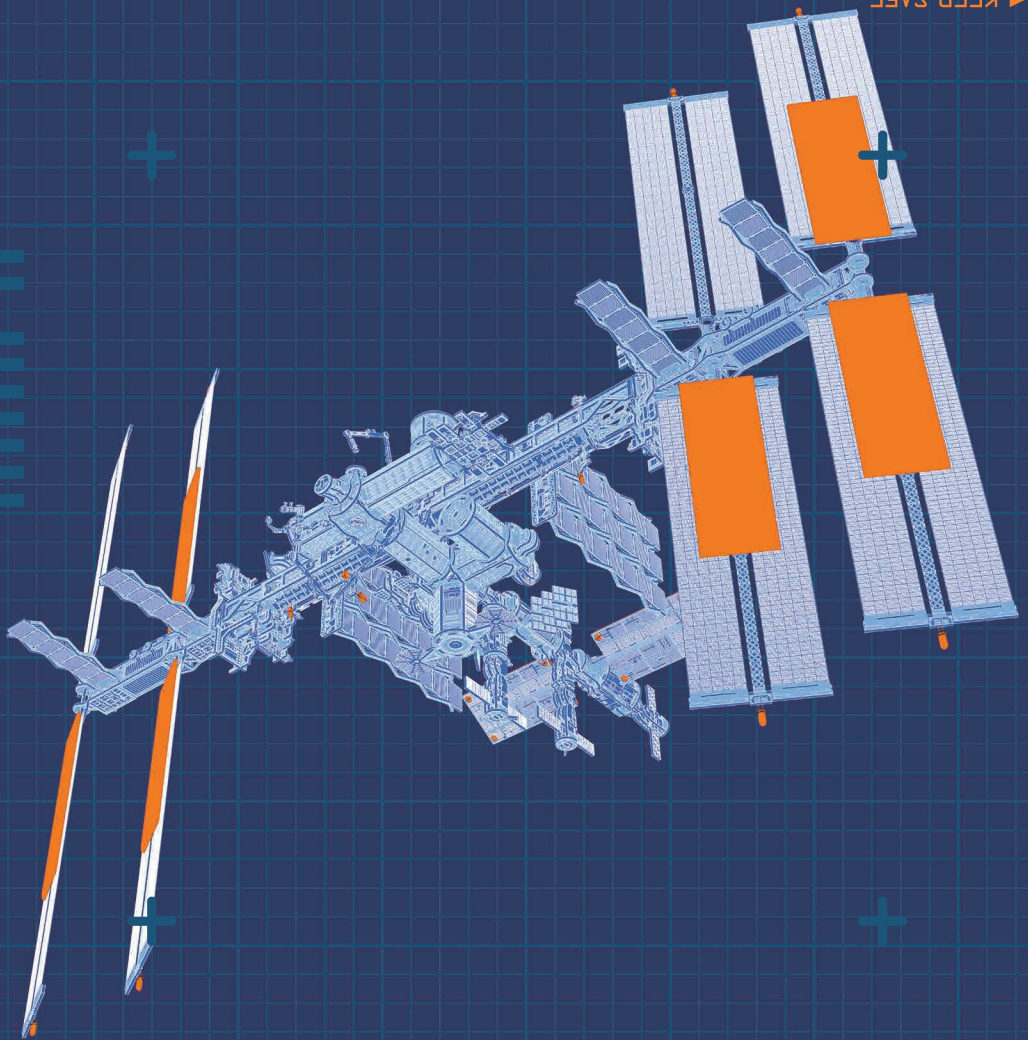
KEEP SAFE ▶



ISS

INTERNATIONAL SPACE STATION





KEEP SAFE ▶

READ BEFORE FLIGHT

KEEP SAFE ▶




**MORE TIPS AND DETAILS
IN OUR ONLINE
INSTRUCTION VIDEO**



WWW.GEEKCLUB.COM




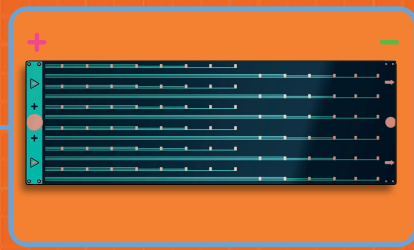
COMPONENTS AND OTHER ELEMENTS_



SOLAR PANEL

x6

SCHEMATIC IMAGE






LED TH 3mm Through-Hole

RED BLINKING

x8


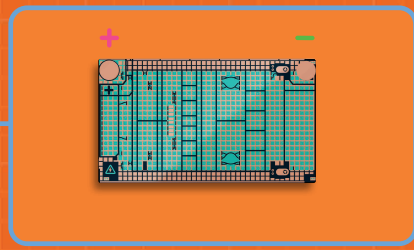
SCHEMATIC IMAGE

SOLAR PANEL

x2

SCHEMATIC IMAGE


LED TH 3mm Through-Hole

YELLOW

x5

SCHEMATIC IMAGE



NOTE:

1. DON'T WORRY IF YOU LOSE A FEW LEDS, WE'VE GOT YOU COVERED - THERE ARE EXTRA DIODES IN THE KIT
2. MAKE SURE TO FOLLOW THE POLARITY + (PINK) AND - (GREEN) WHEN INSTALLING COMPONENTS. OTHERWISE, YOUR MODEL WILL NOT WORK.

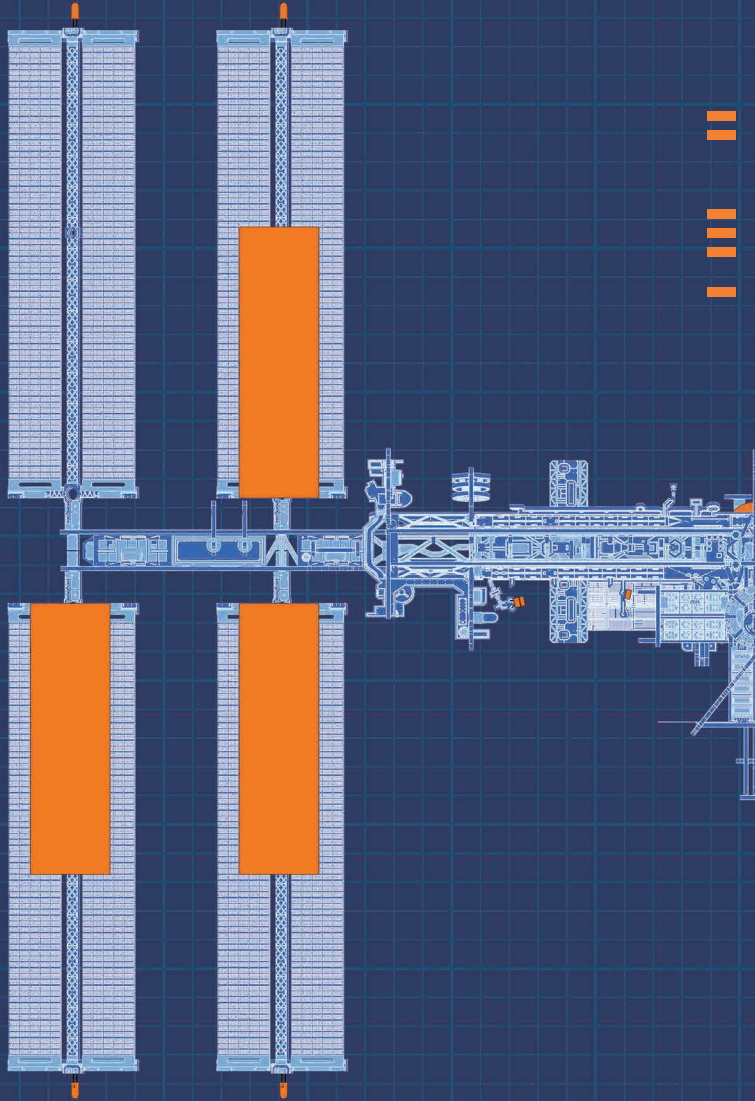
READ BEFORE FLIGHT

READ BEFORE FLIGHT

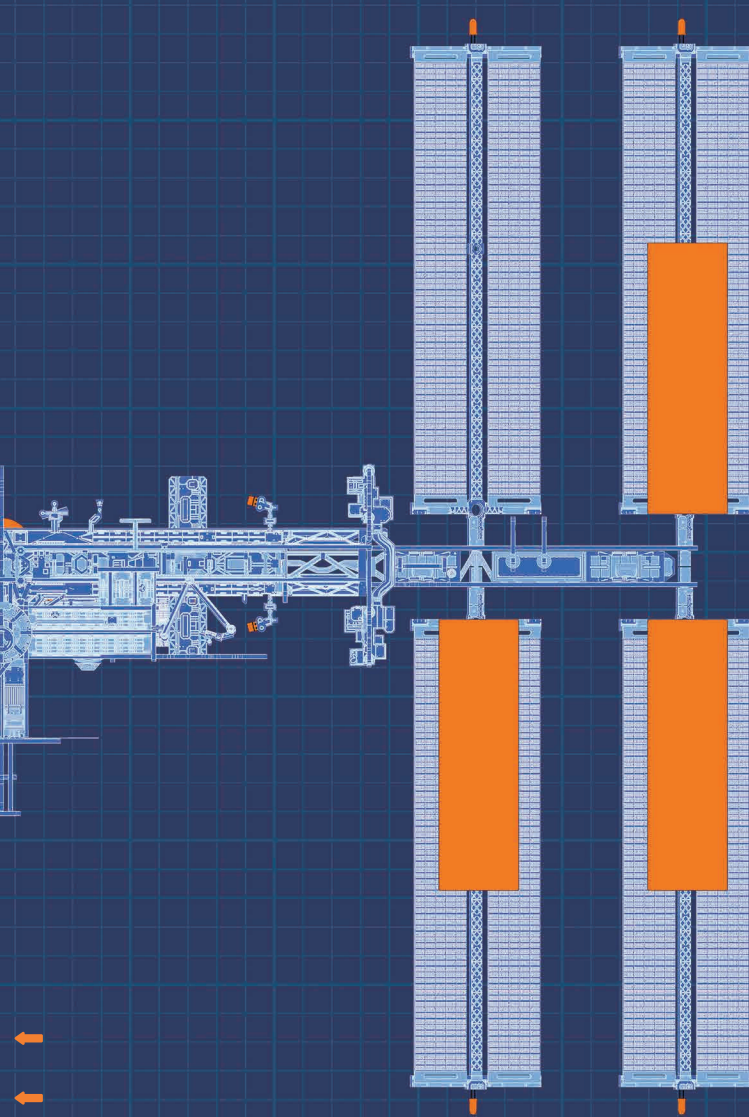
◀ KEEP SAFE

FRONT

14.2"
360 MM



◀ KEEP SAFE



KEEP SAFE ▶

14.2"
360 MM

KEEP SAFE ▶

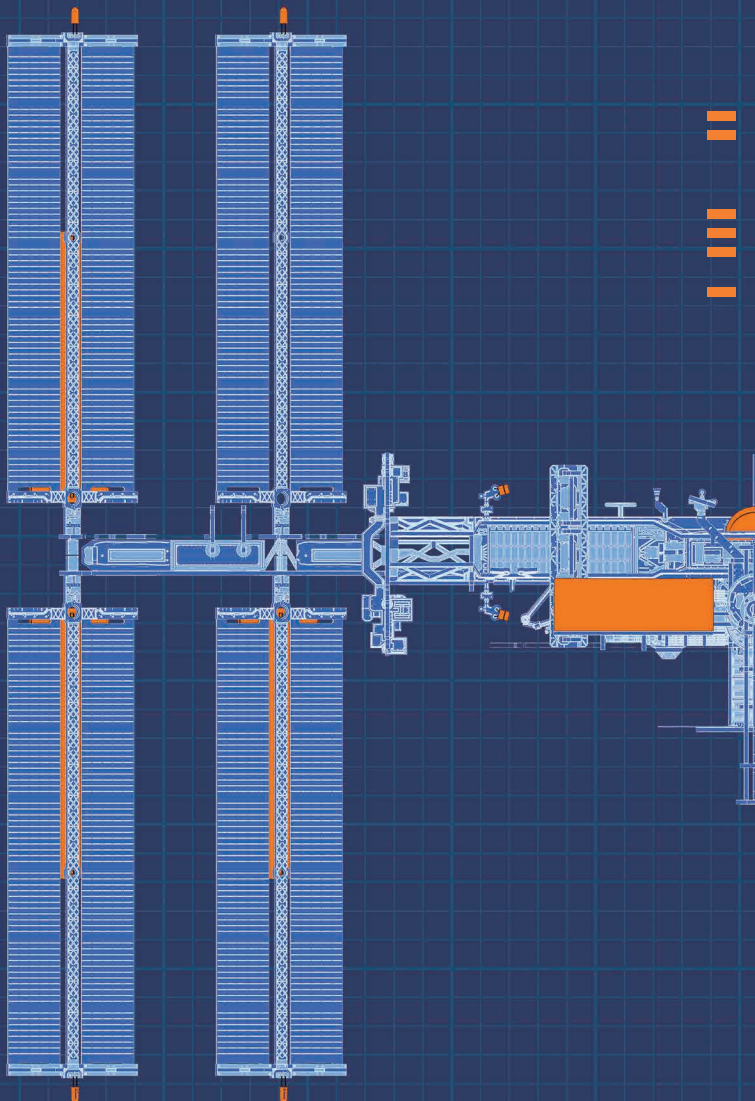
READ BEFORE FLIGHT

READ BEFORE FLIGHT

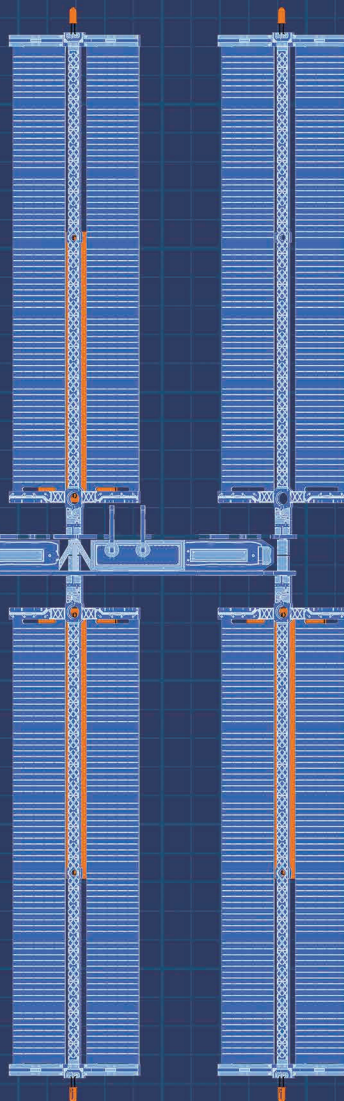
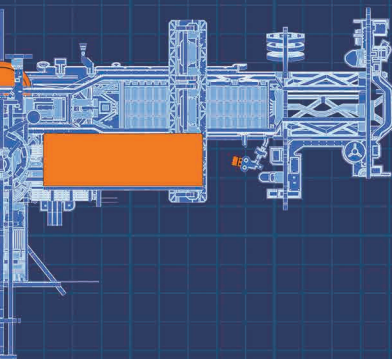
KEEP SAFE

BACK

14.2"
360 MM



KEEP SAFE



14.2"
360 MM

KEEP SAFE ▶

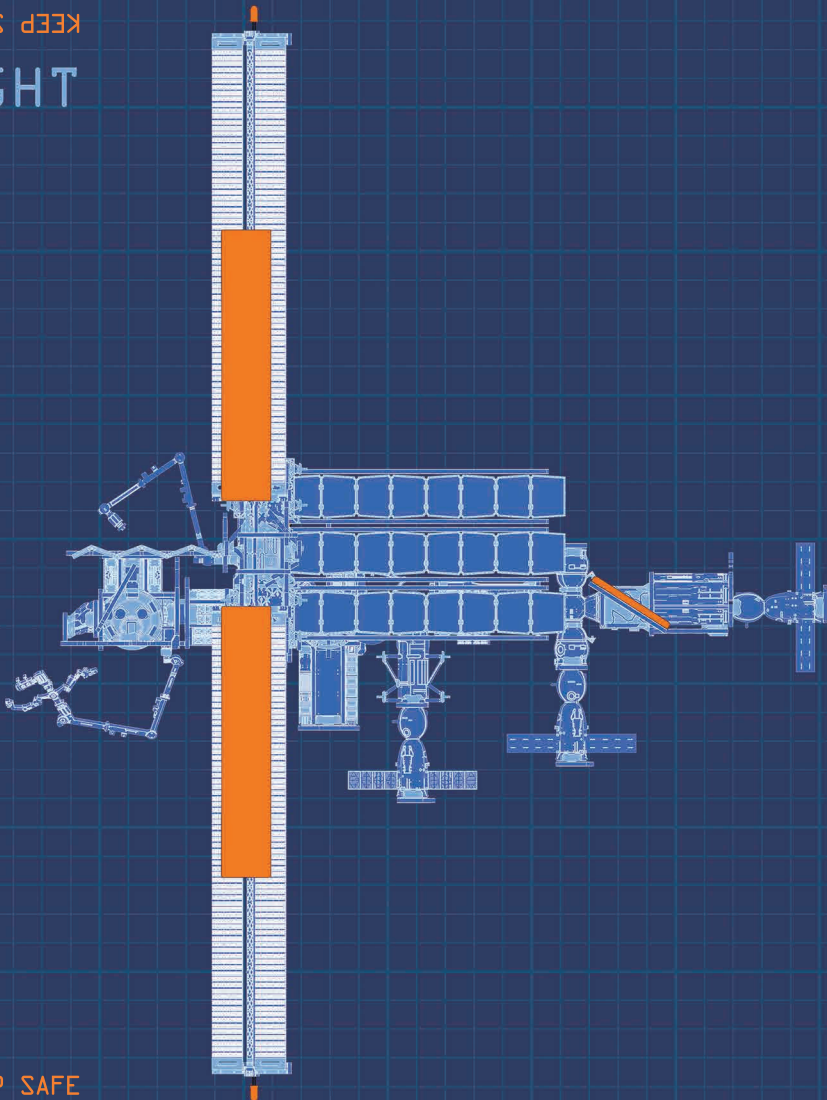
KEEP SAFE ▶

READ BEFORE FLIGHT

READ BEFORE FLIGHT

KEEP SAFE

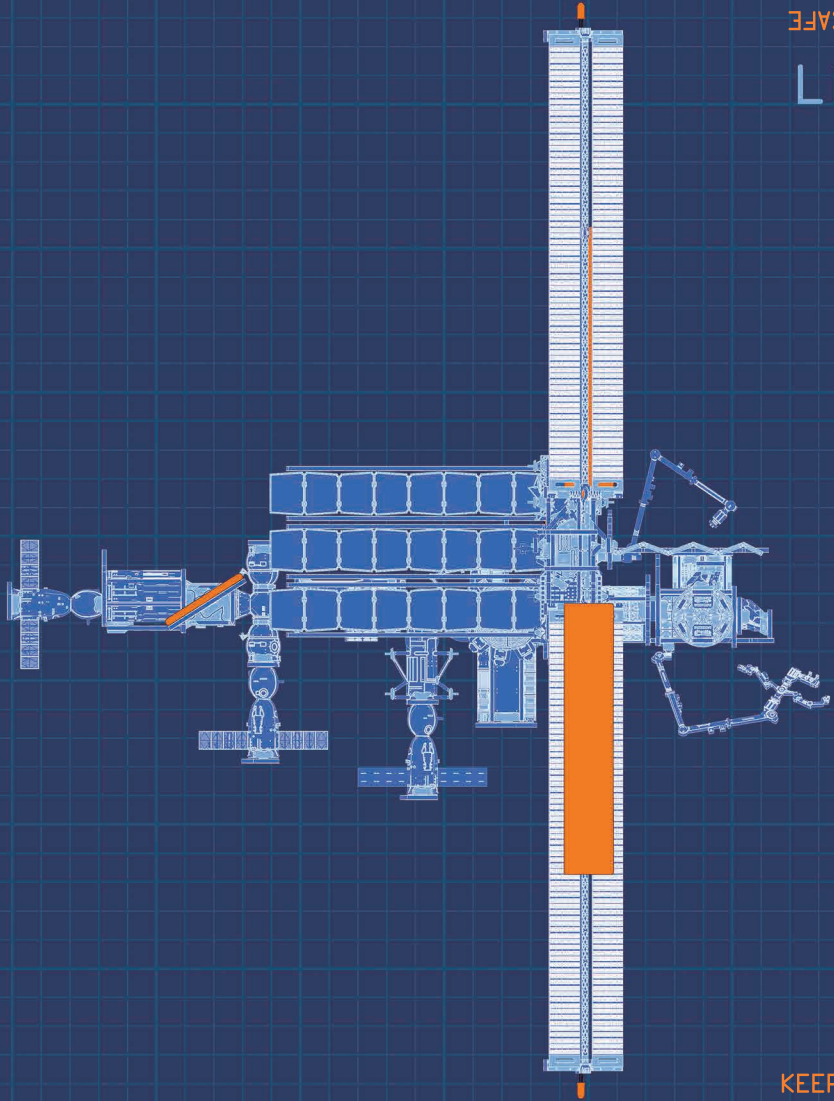
RIGHT



KEEP SAFE

▶ KEEP SAFE

LEFT



READ BEFORE FLIGHT

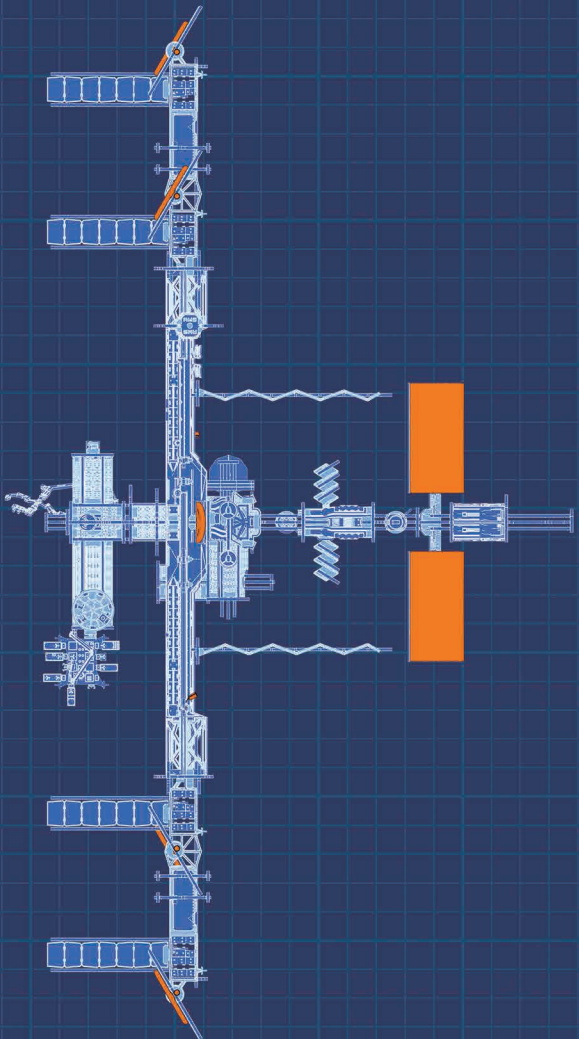
▶ KEEP SAFE

READ BEFORE FLIGHT

KEEP SAFE

TOP

19.2"
490 MM

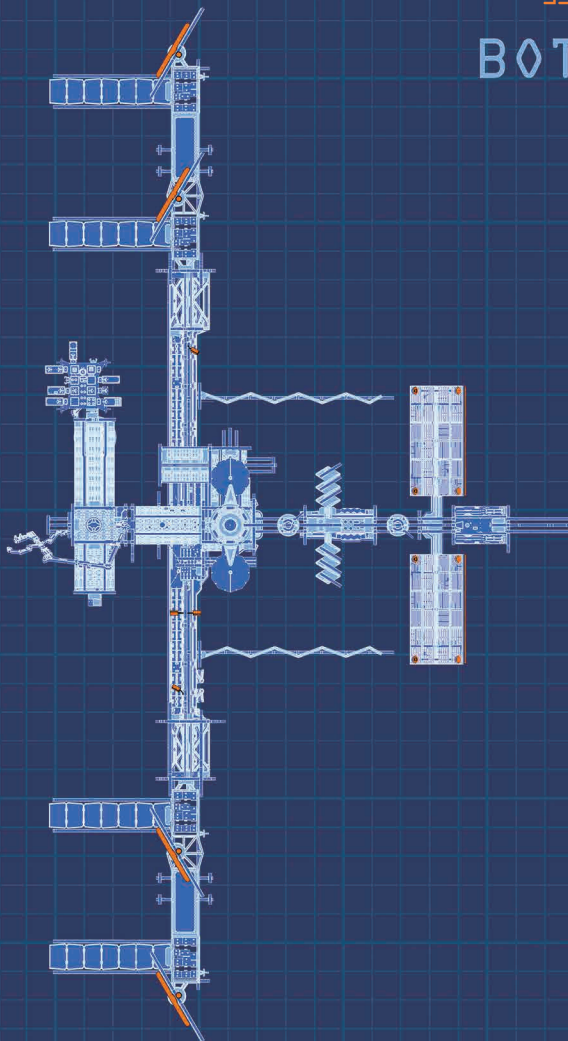


KEEP SAFE

KEEP SAFE ▶

BOTTOM

19.2"
490 MM



READ BEFORE FLIGHT

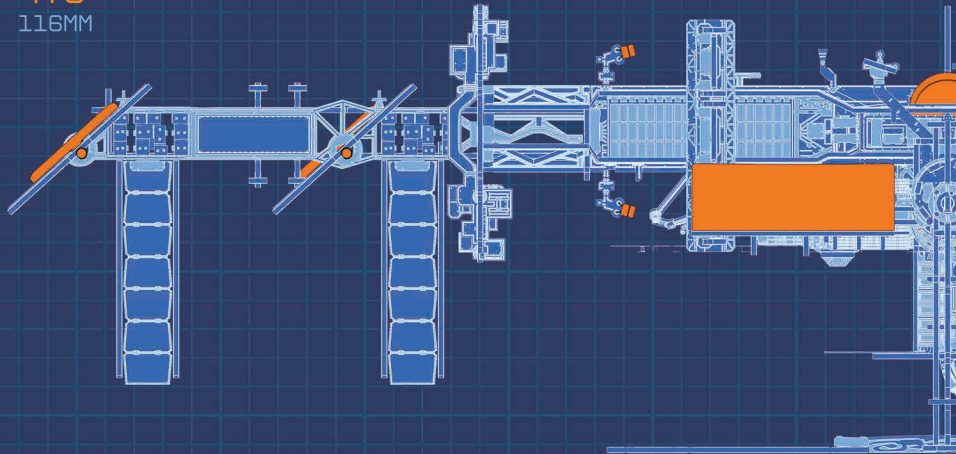
KEEP SAFE ▶

◀ KEEP SAFE

FRONT



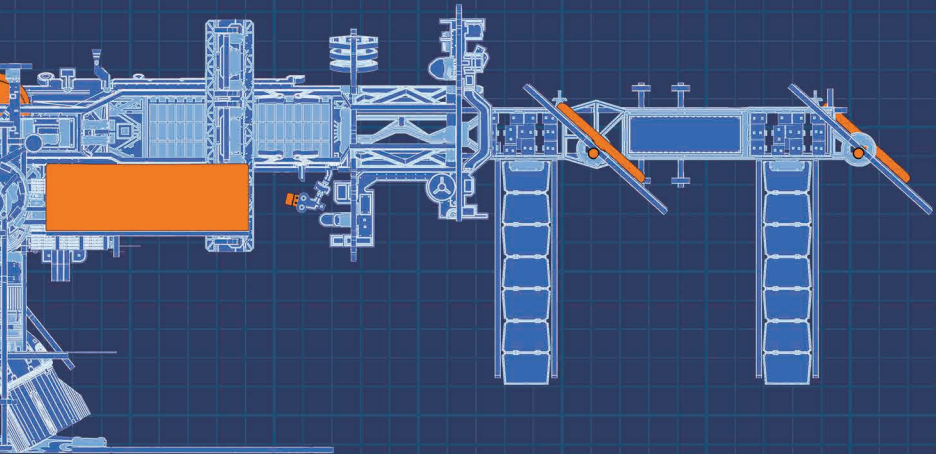
4.5"
116MM



READ BEFORE FLIGHT

◀ KEEP SAFE

▶ KEEP SAFE



READ BEFORE FLIGHT

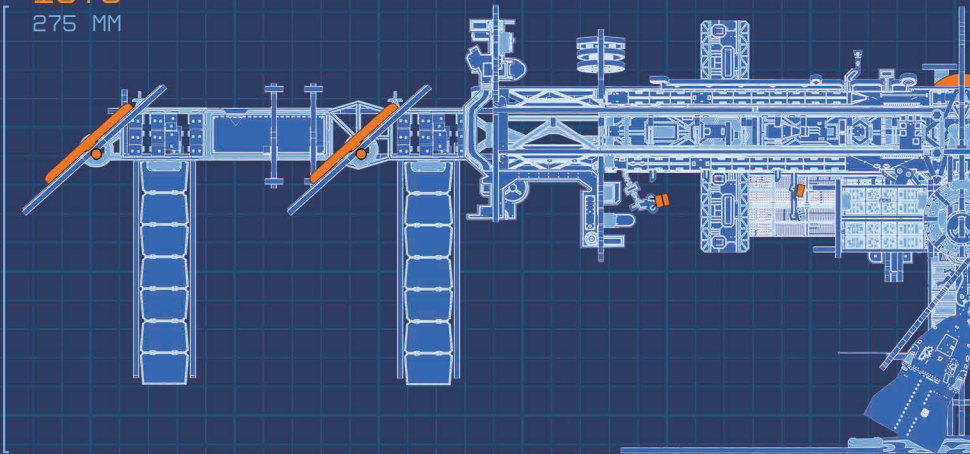


▶ KEEP SAFE

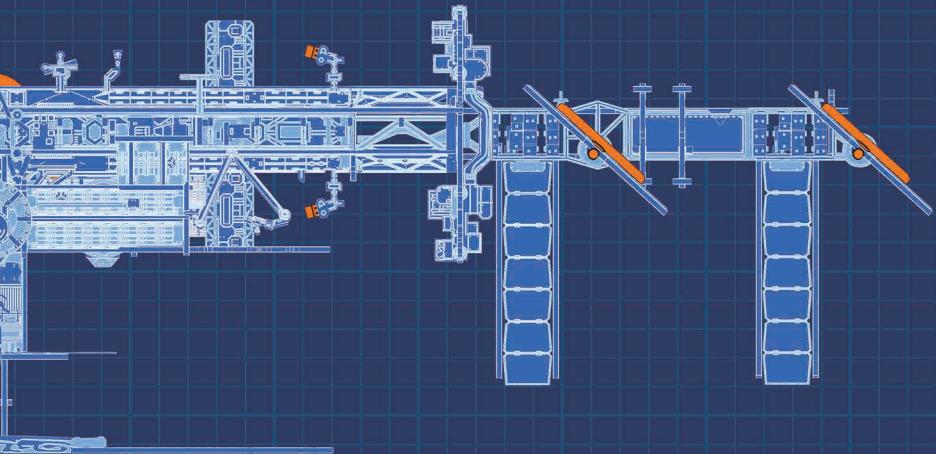
BACK



10.8"
275 MM



READ BEFORE FLIGHT

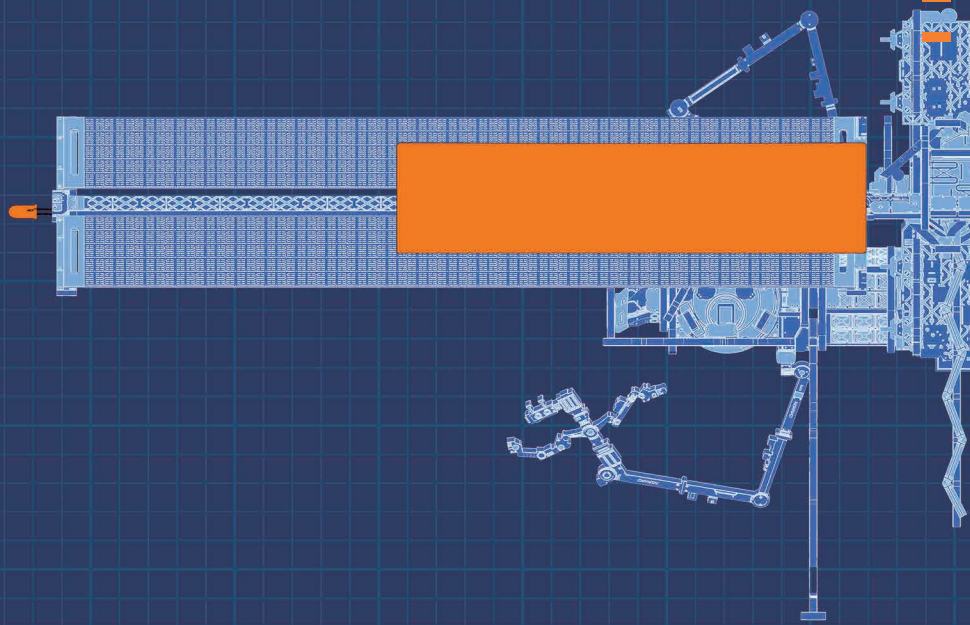


READ BEFORE FLIGHT



READ BEFORE FLIGHT

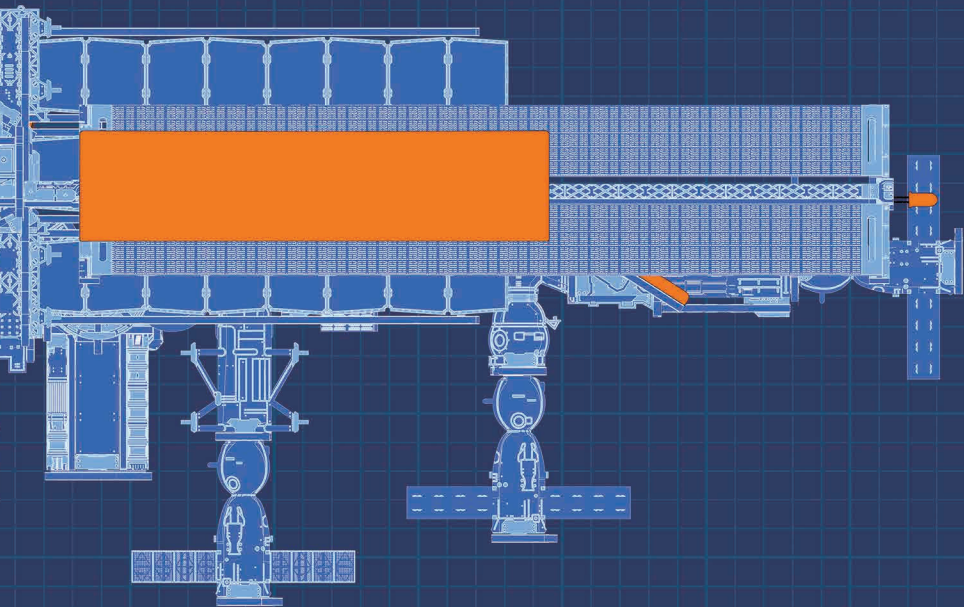
KEEP SAFE



KEEP SAFE

▶ KEEP SAFE

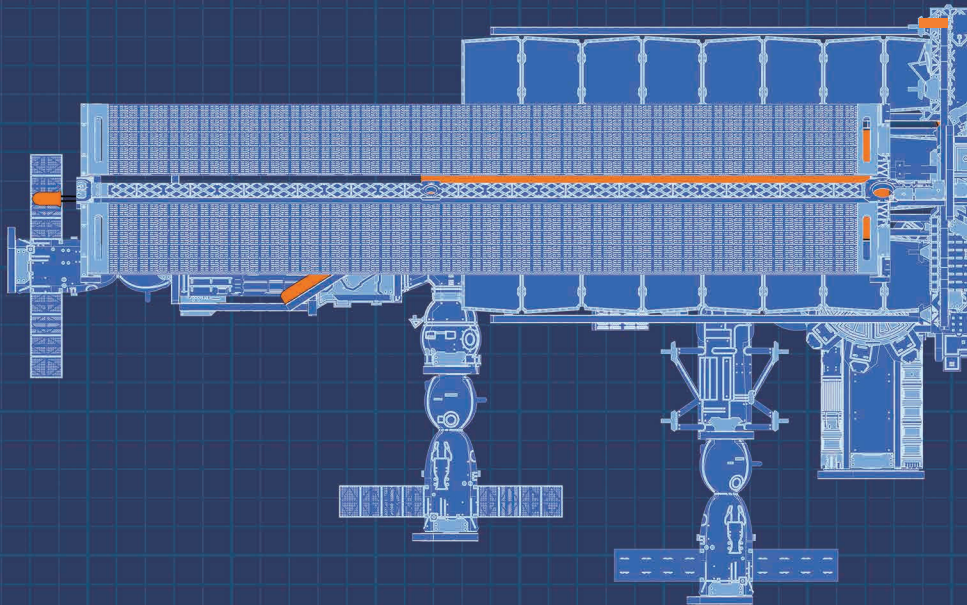
RIGHT



READ BEFORE FLIGHT

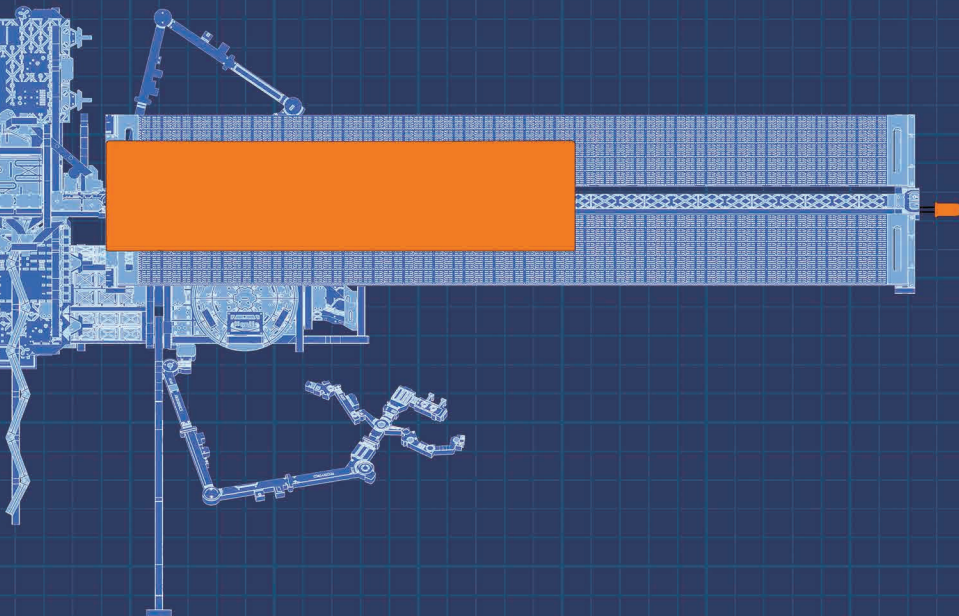


▶ KEEP SAFE



▶ KEEP SAFE

LEFT



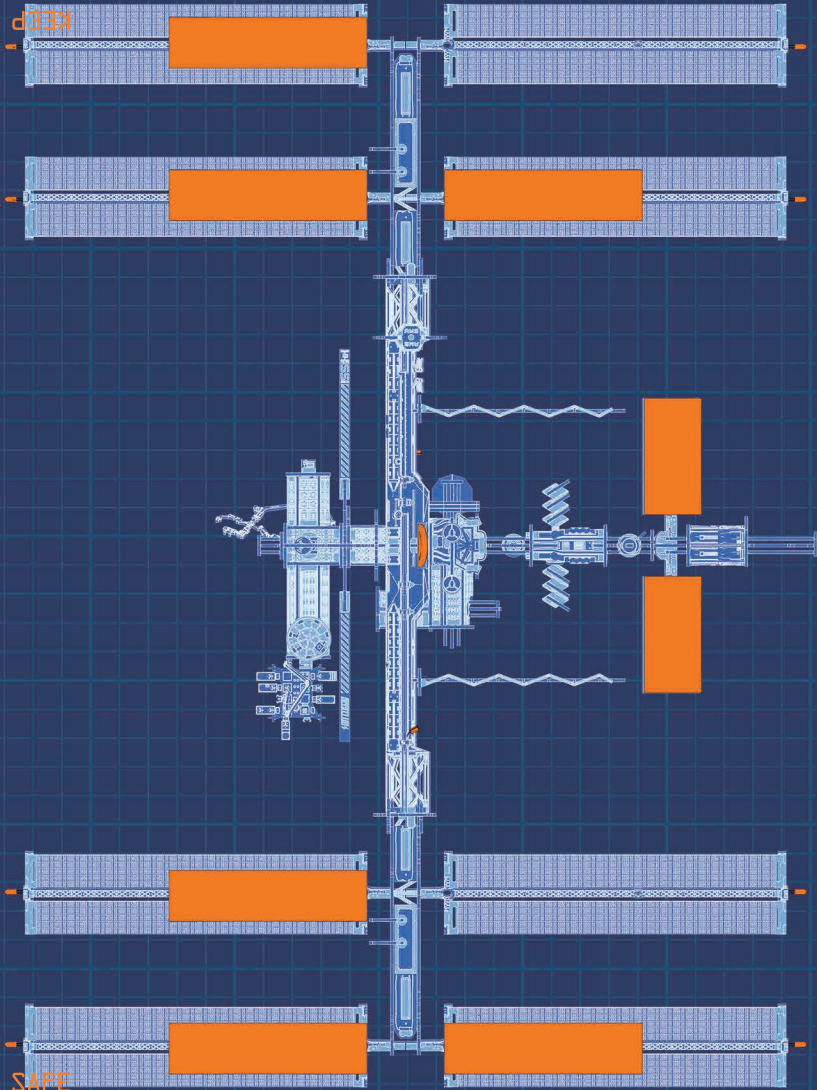
READ BEFORE FLIGHT

▶ KEEP SAFE

READ BEFORE FLIGHT

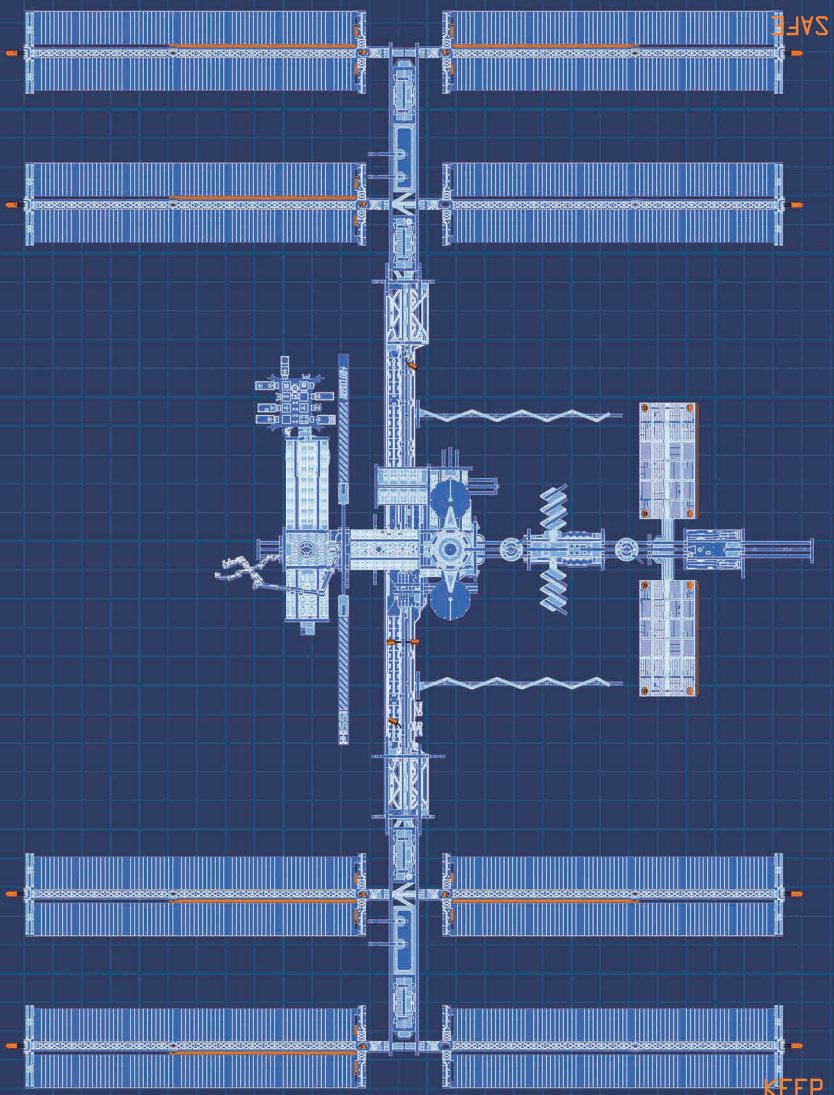
TOP

KEEP SAFE



KEEP SAFE

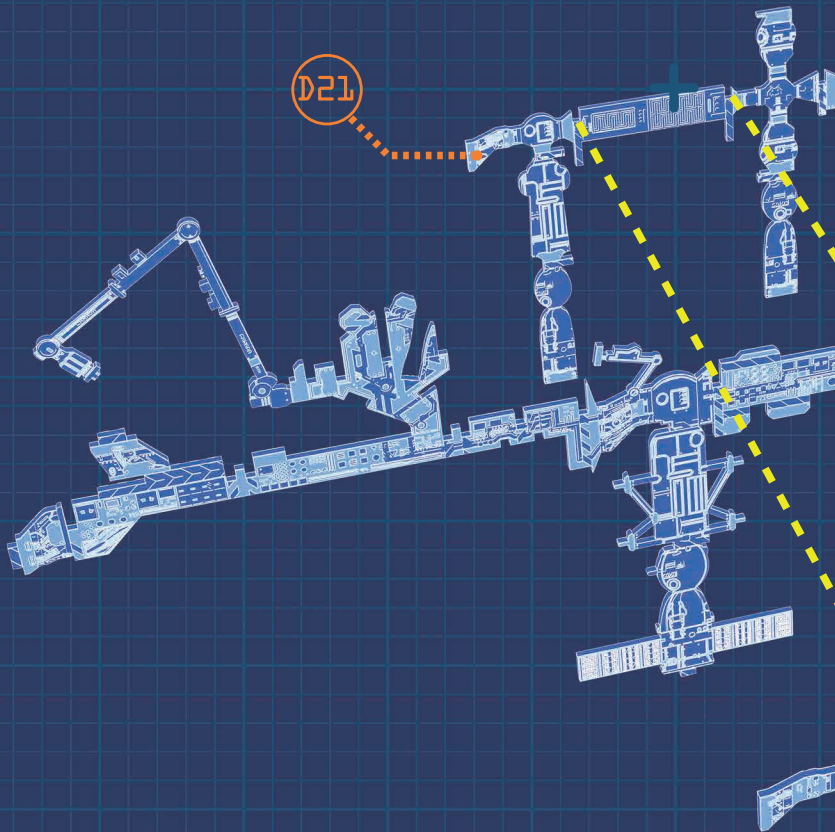
BOTTOM



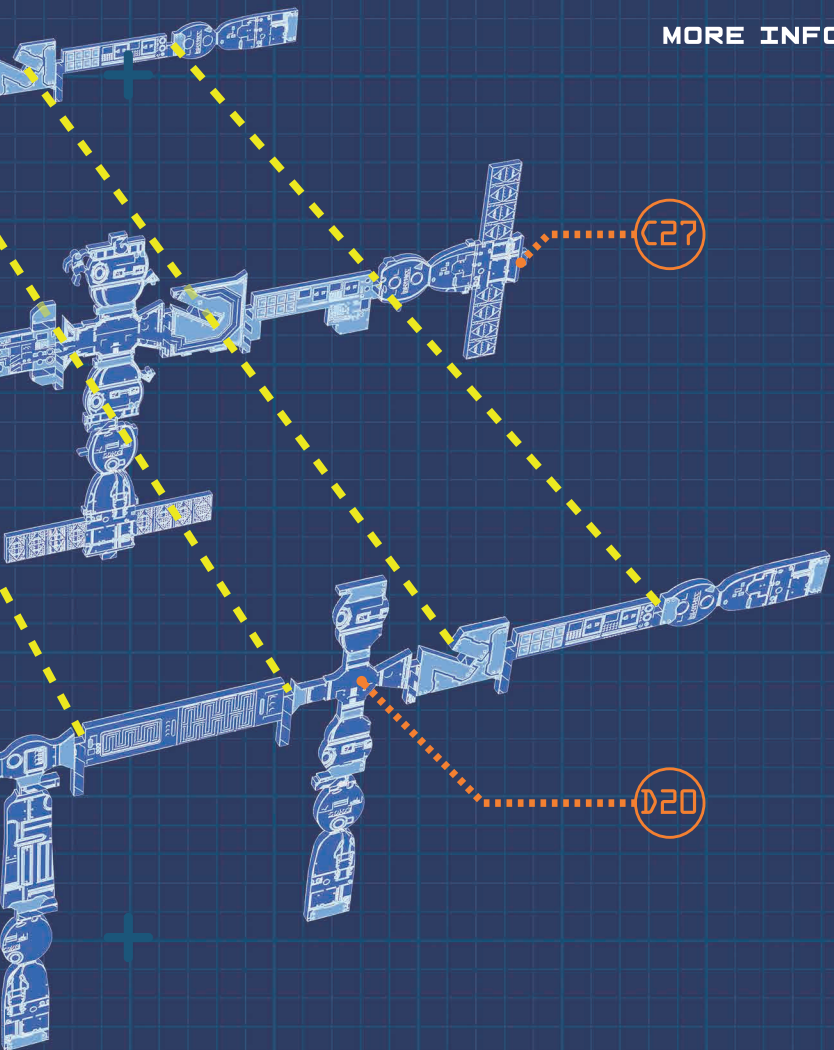
KEEP SAFE ▶

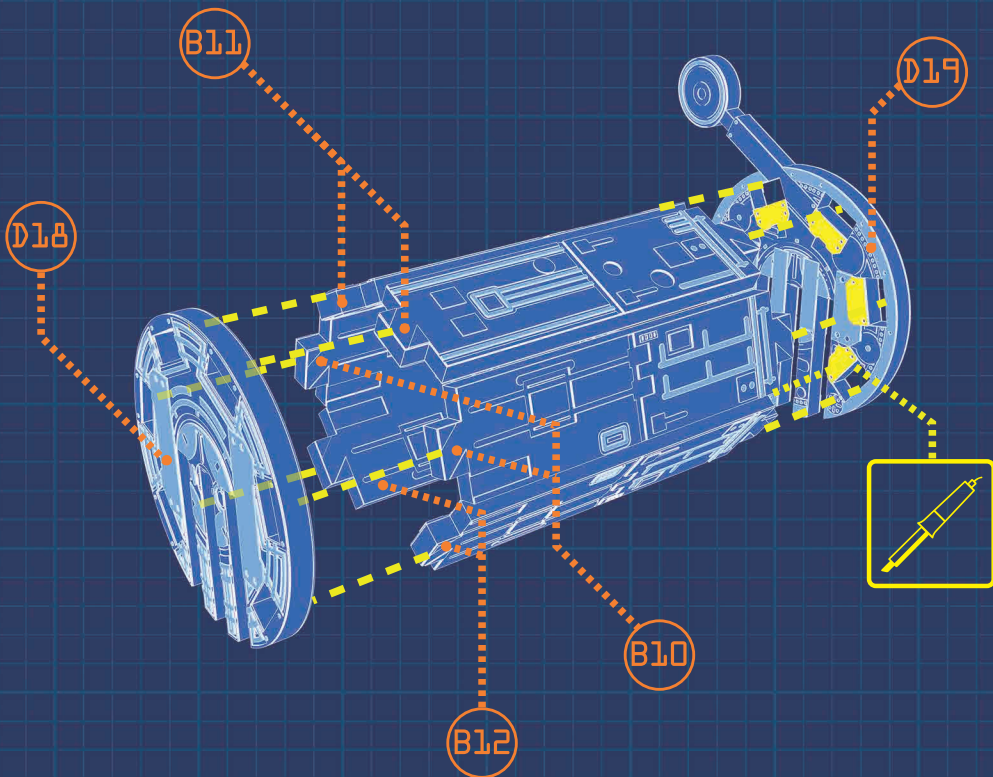
▶ KEEP SAFE





MORE INFO NEXT PAGE





MORE INFO NEXT PAGE



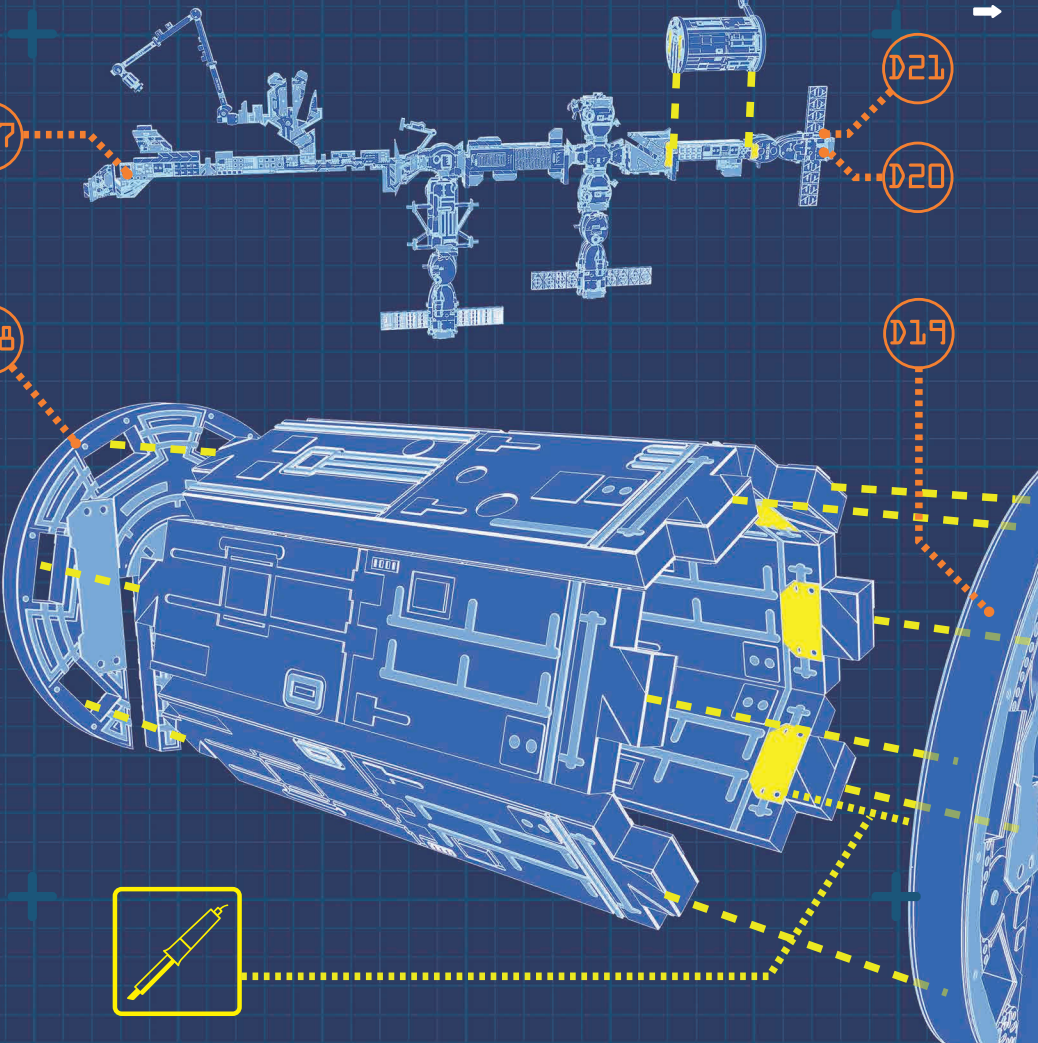
C27

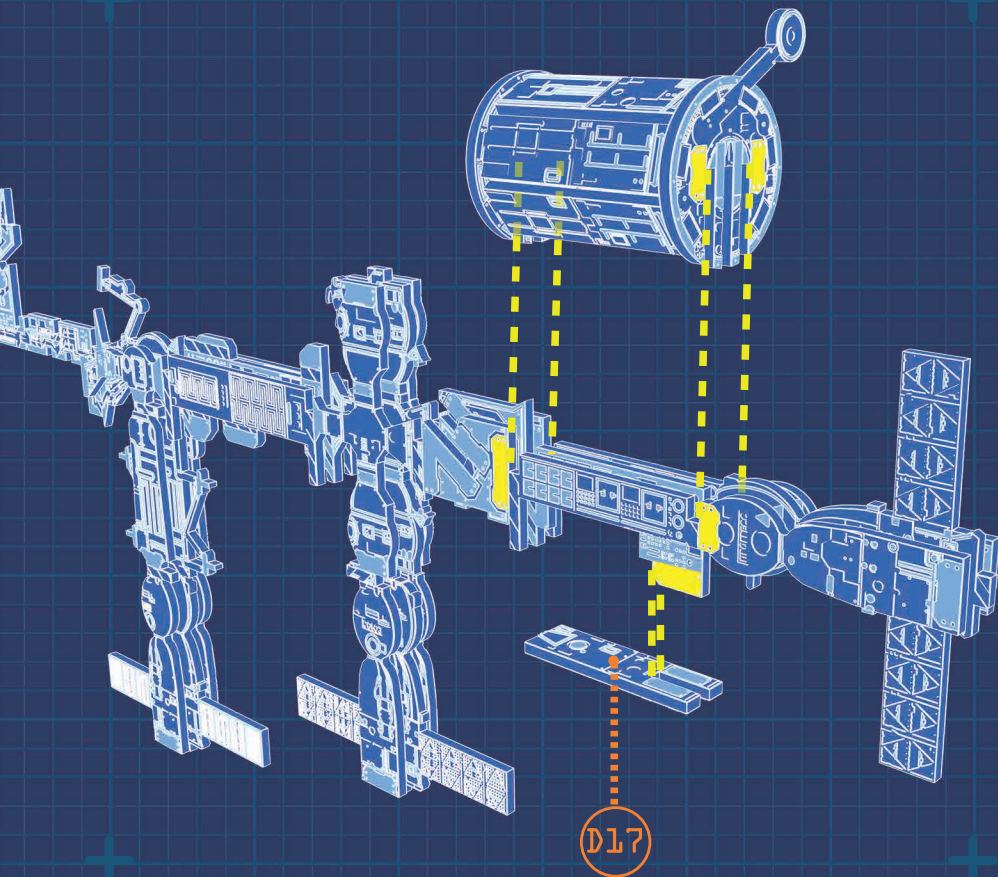
D21

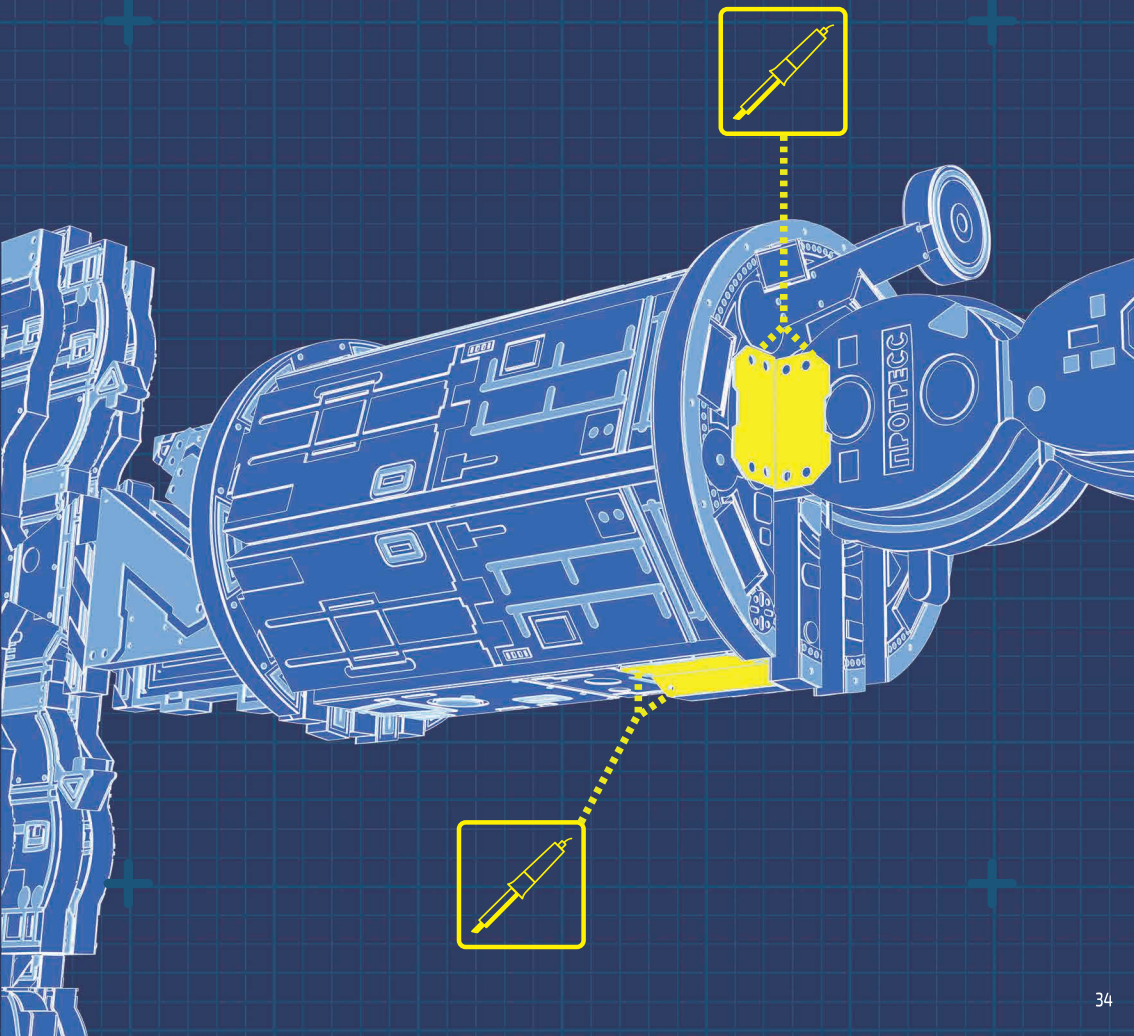
D20

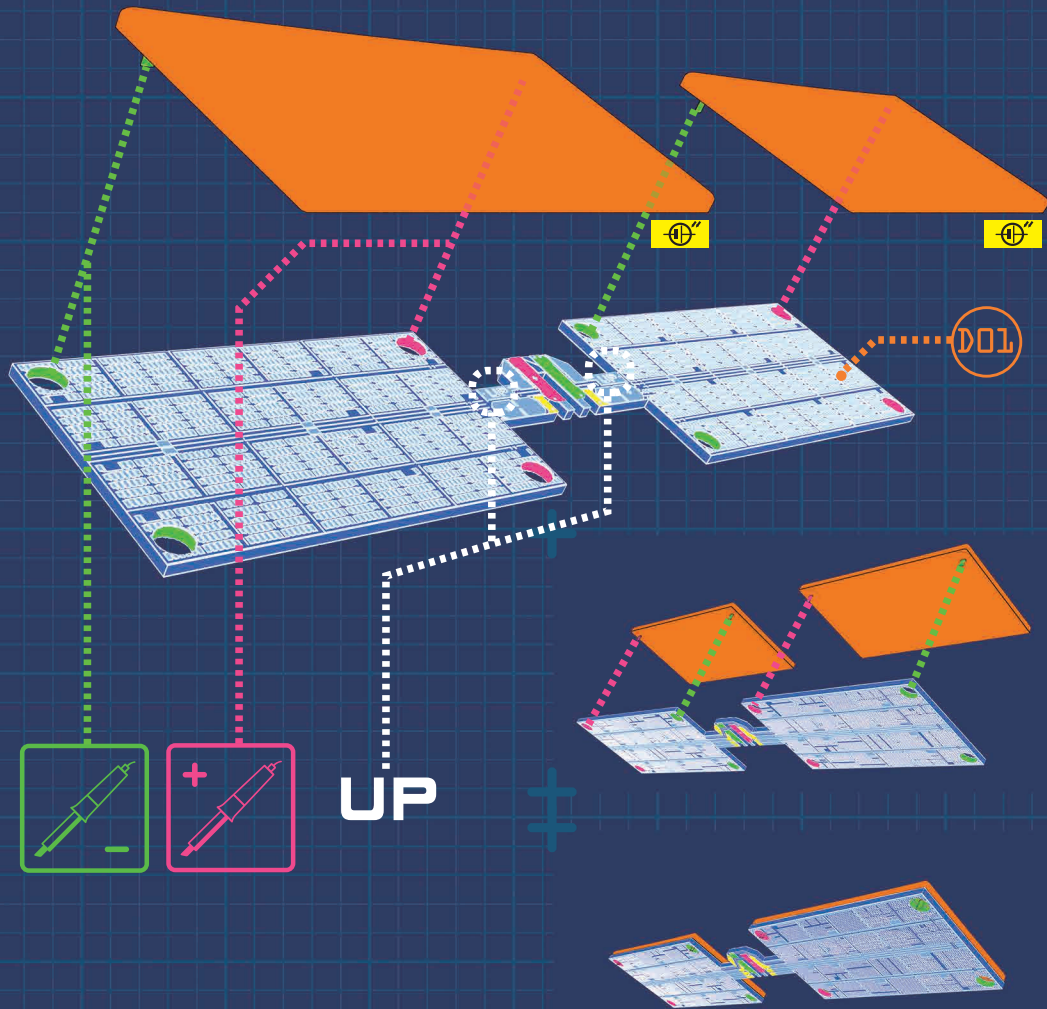
D18

D19



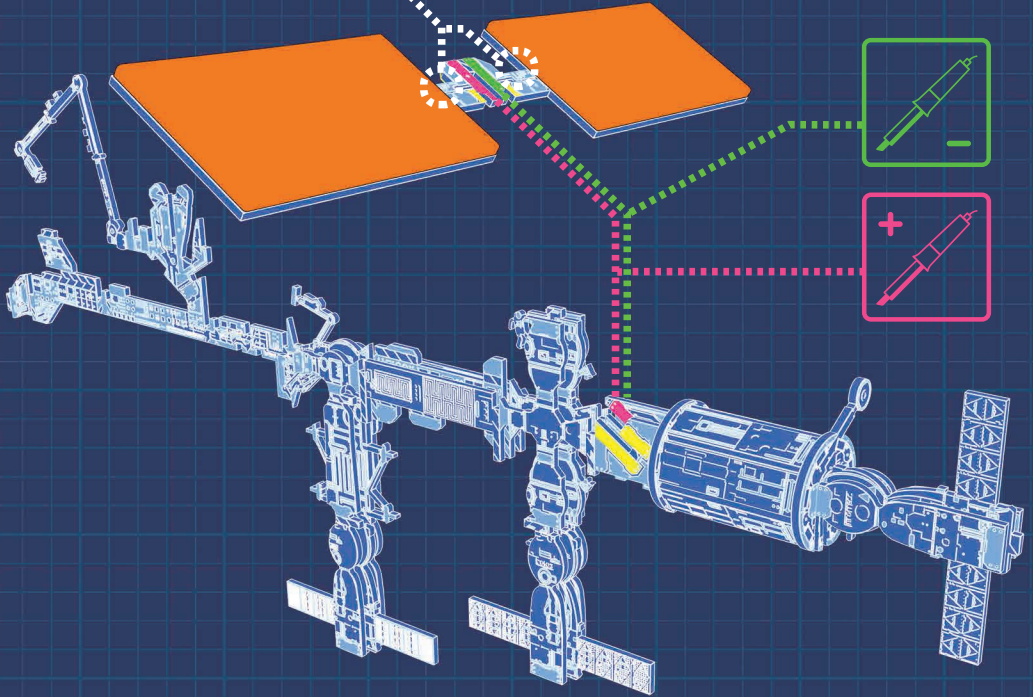






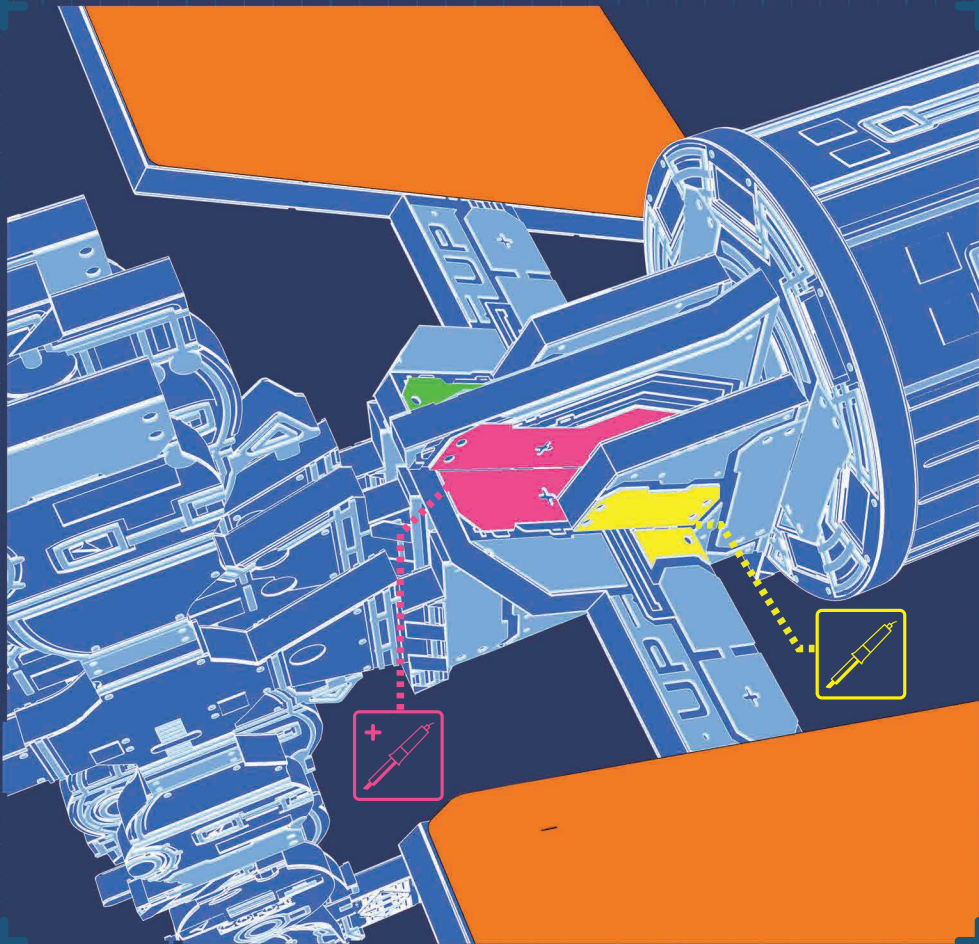
UP

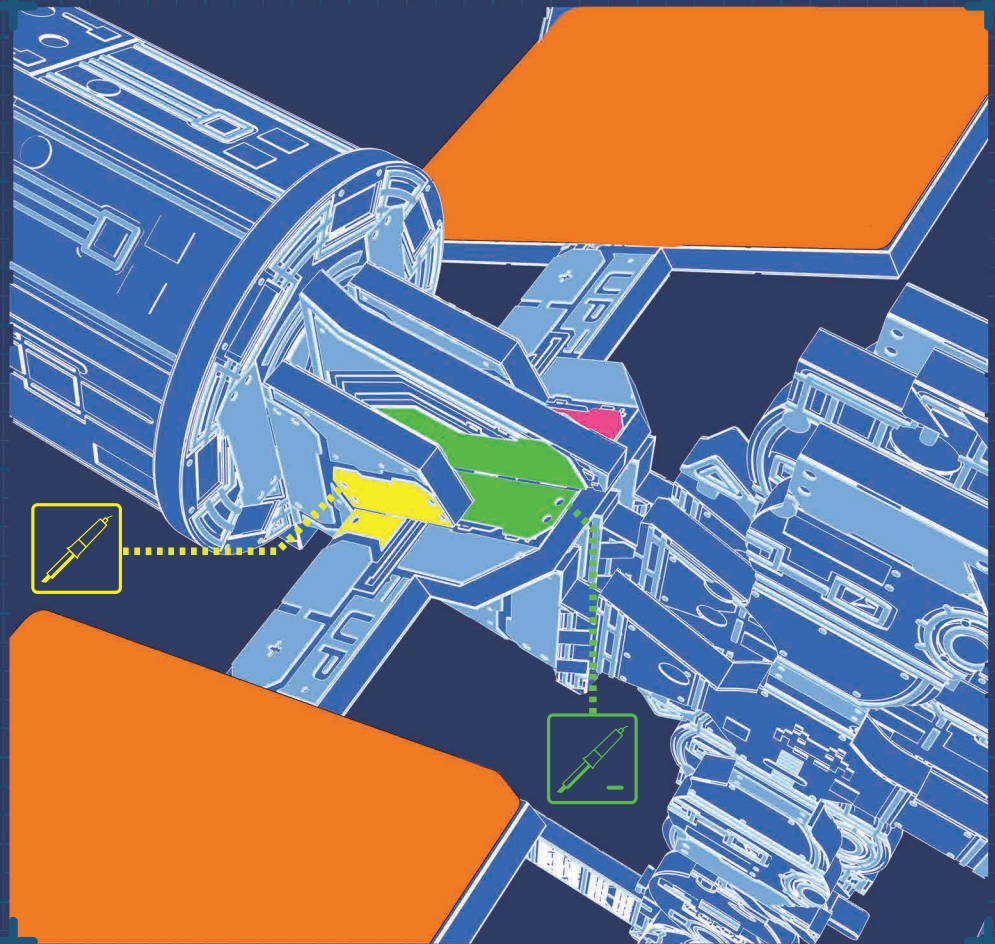
MORE INFO NEXT PAGE

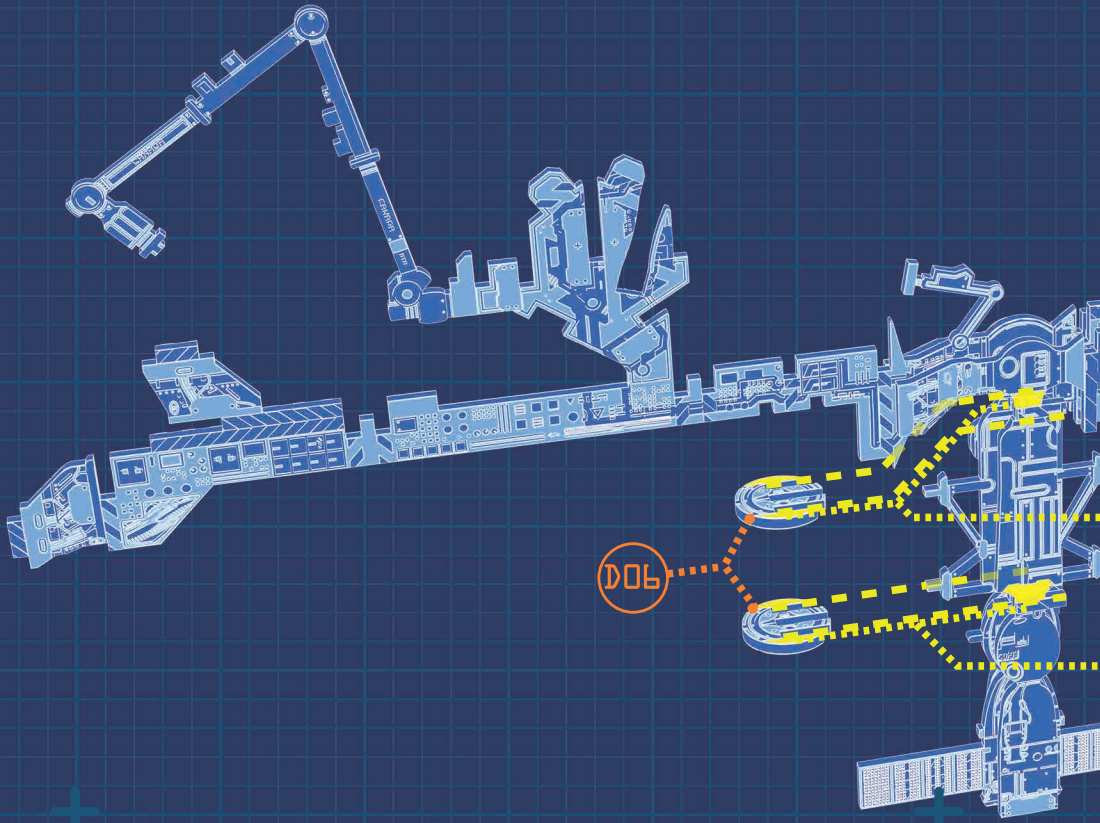


SOLAR PANEL

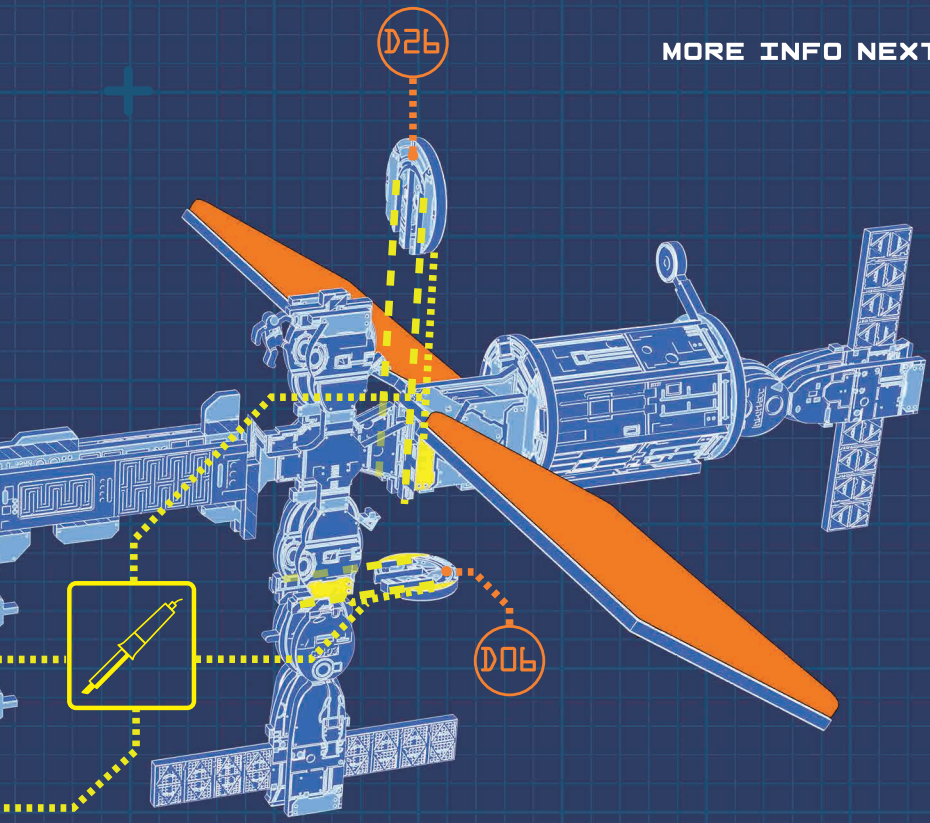
SCHEMATIC IMAGE

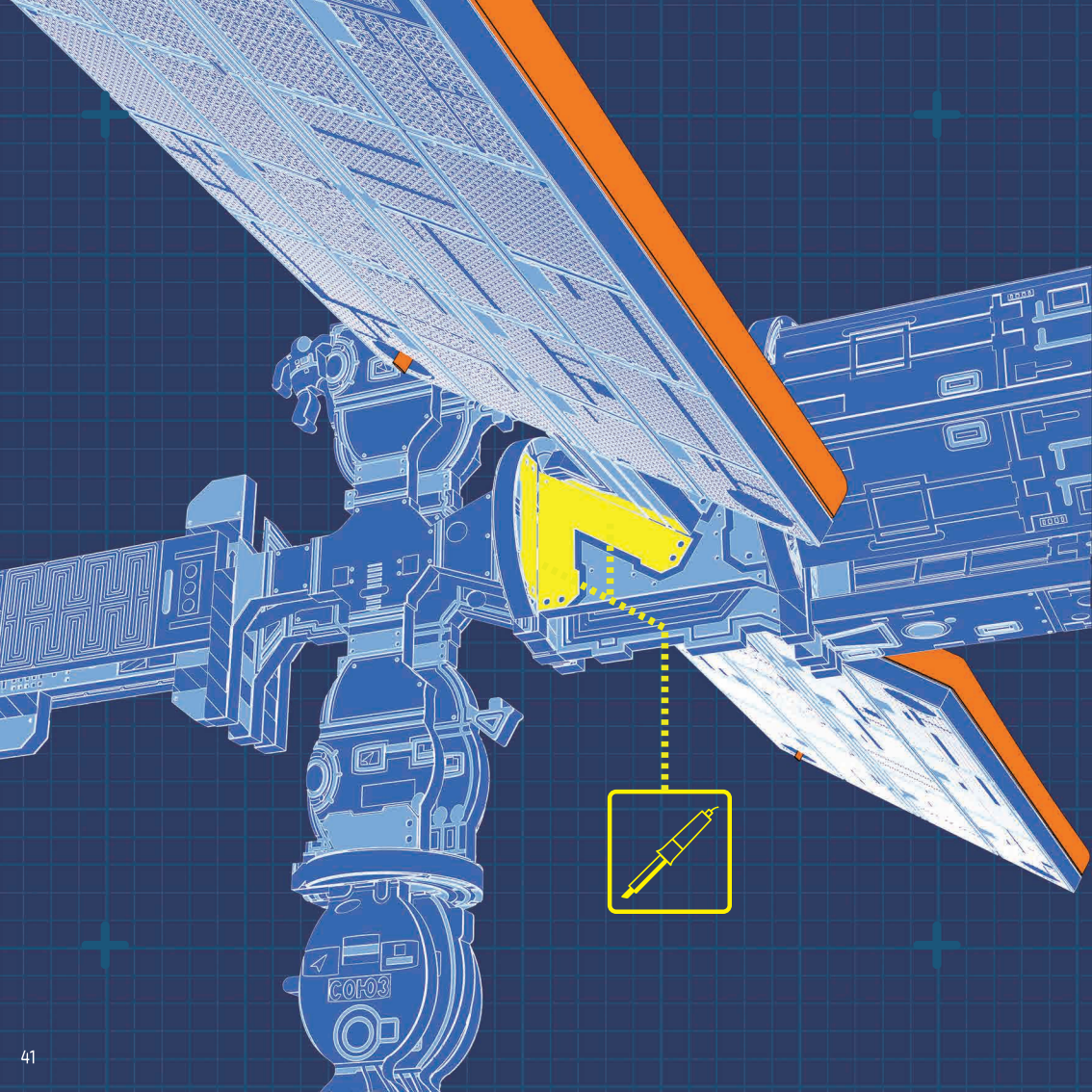


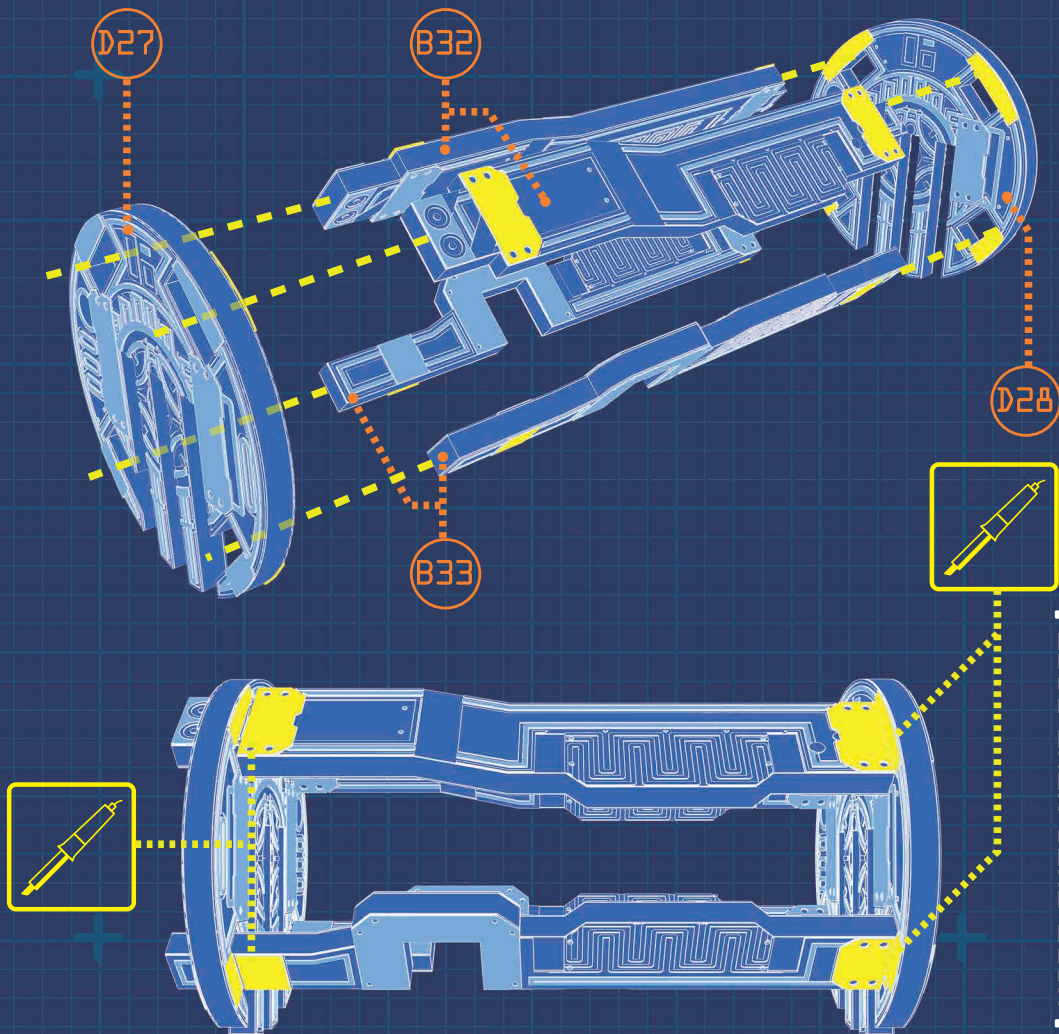




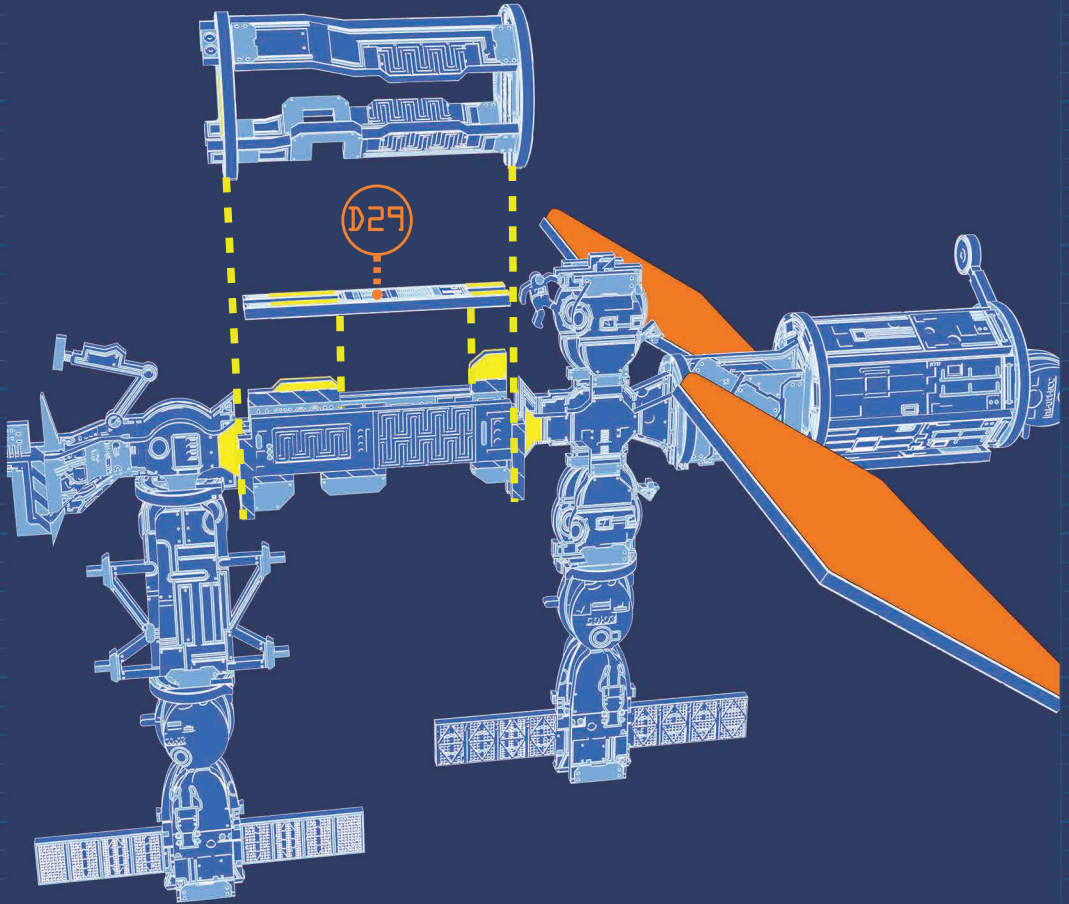
MORE INFO NEXT PAGE

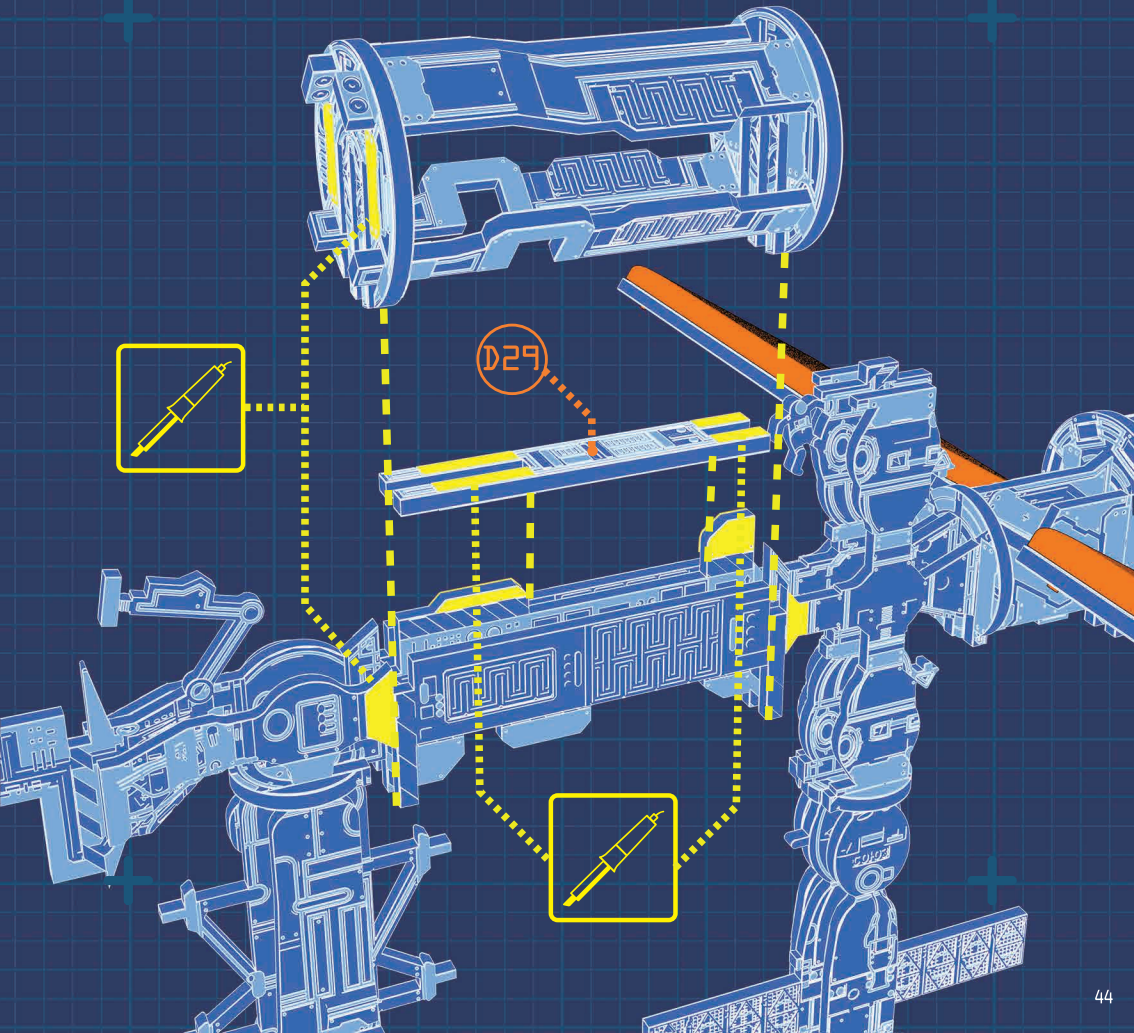


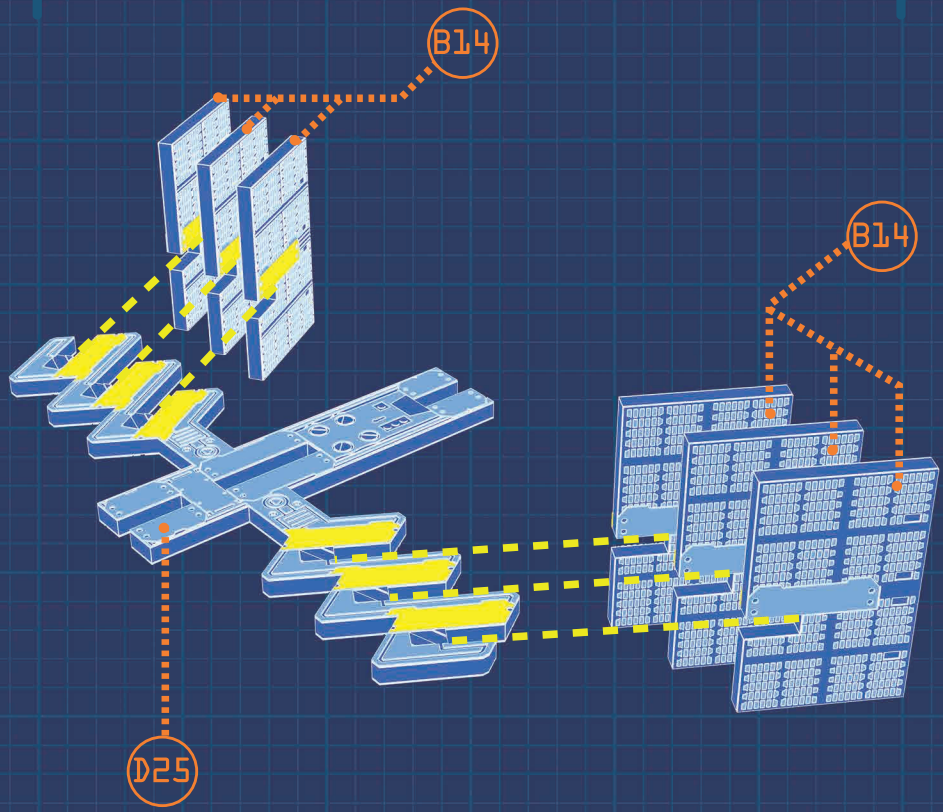




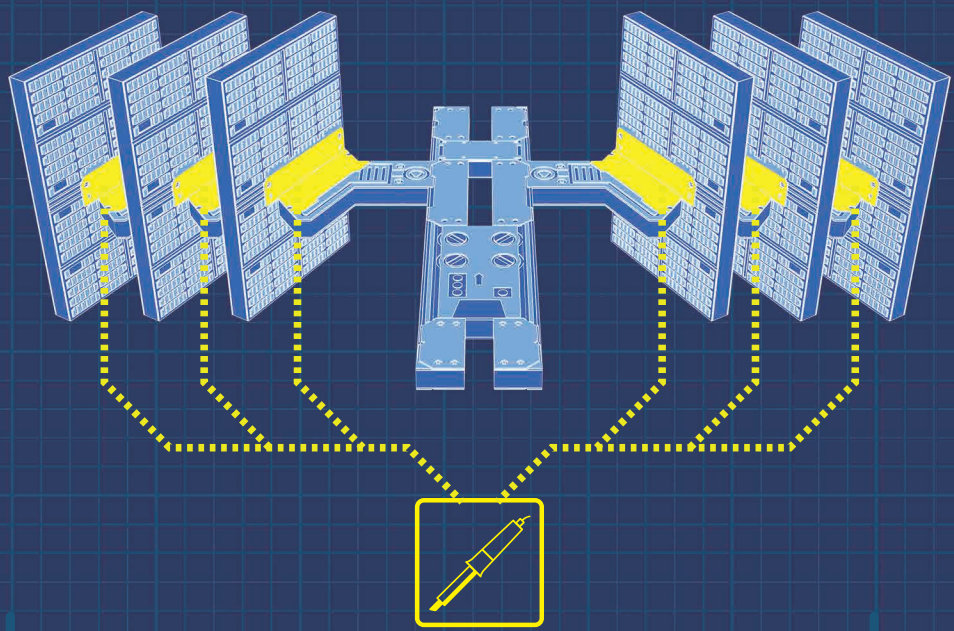
↓ MORE INFO NEXT PAGE ↓

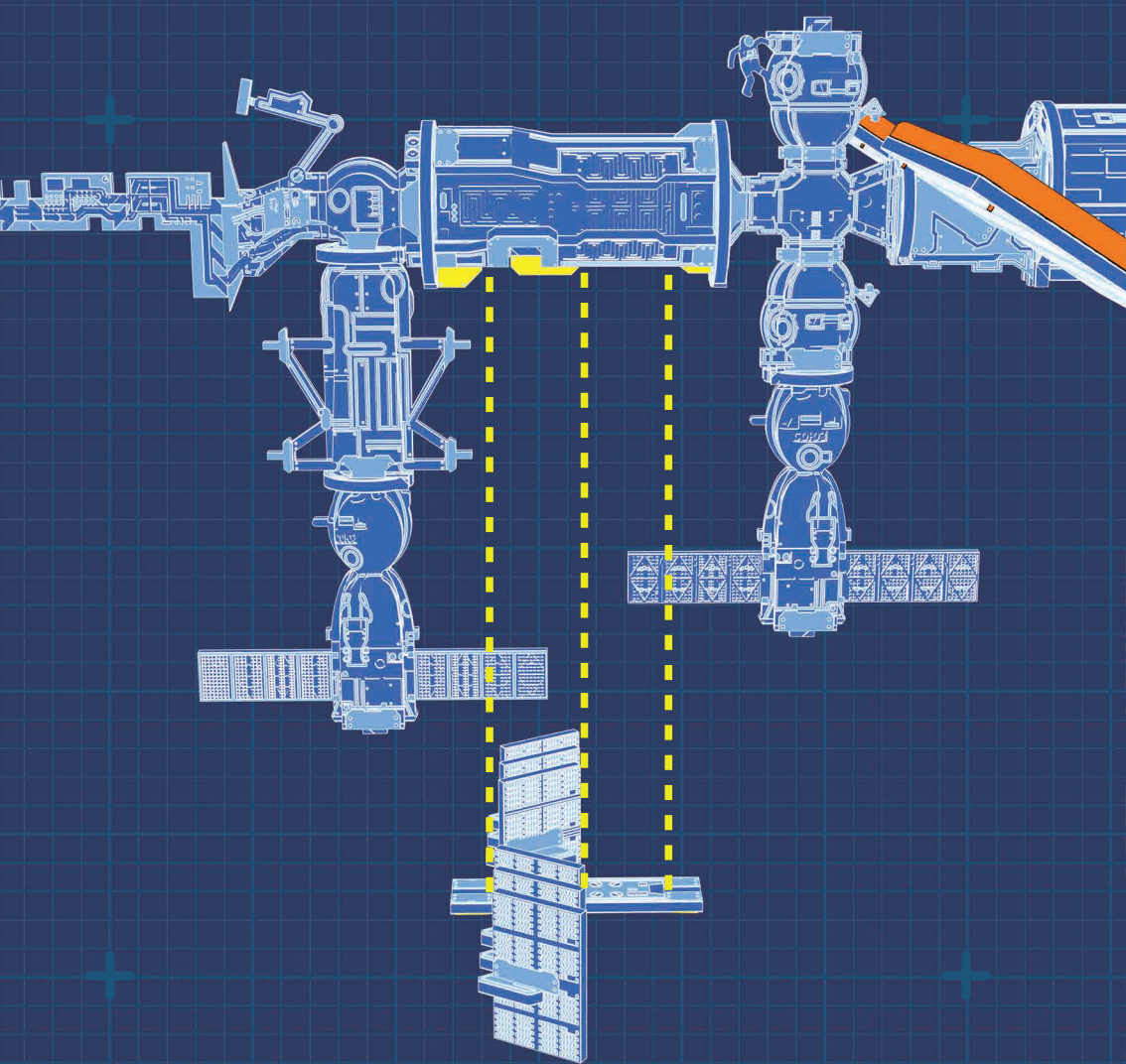


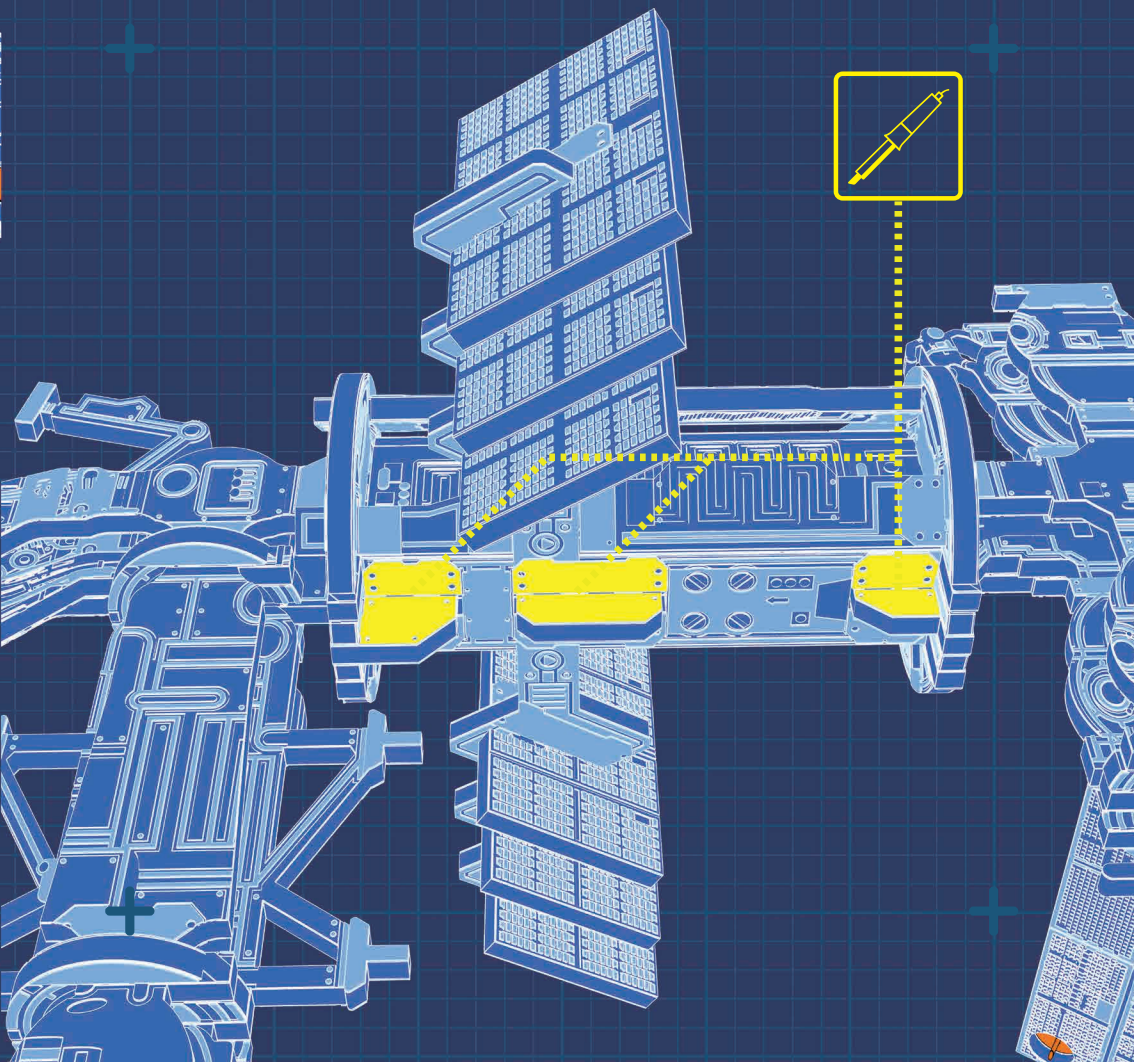


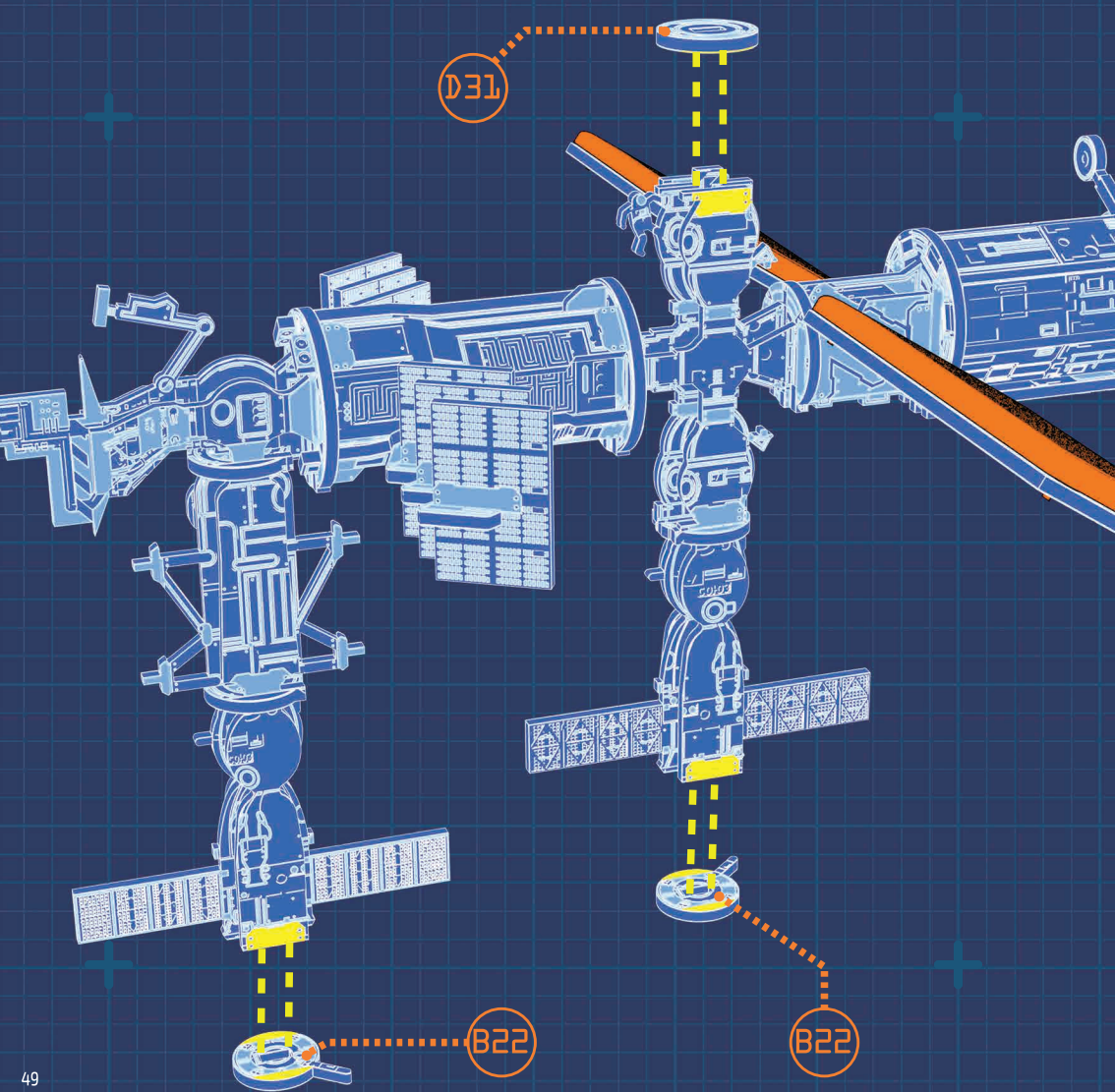


MORE INFO NEXT PAGE





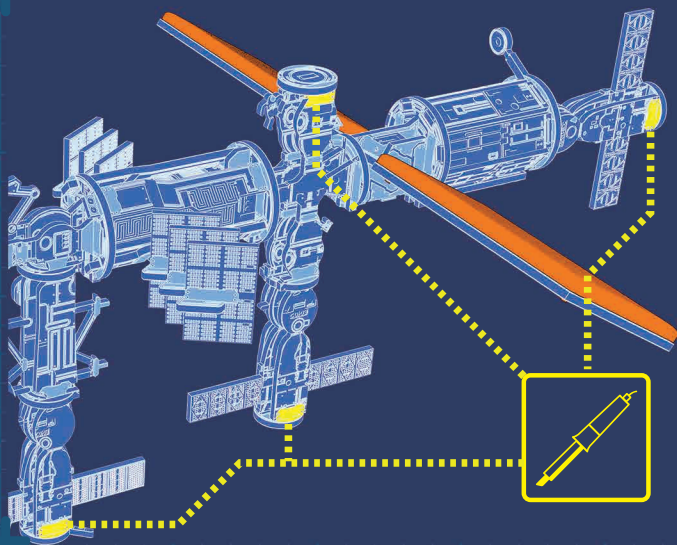
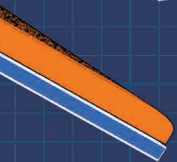
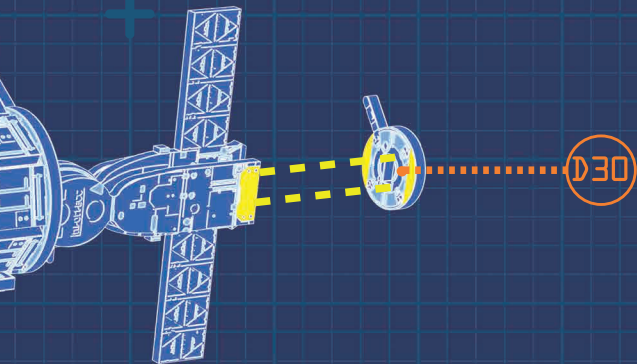


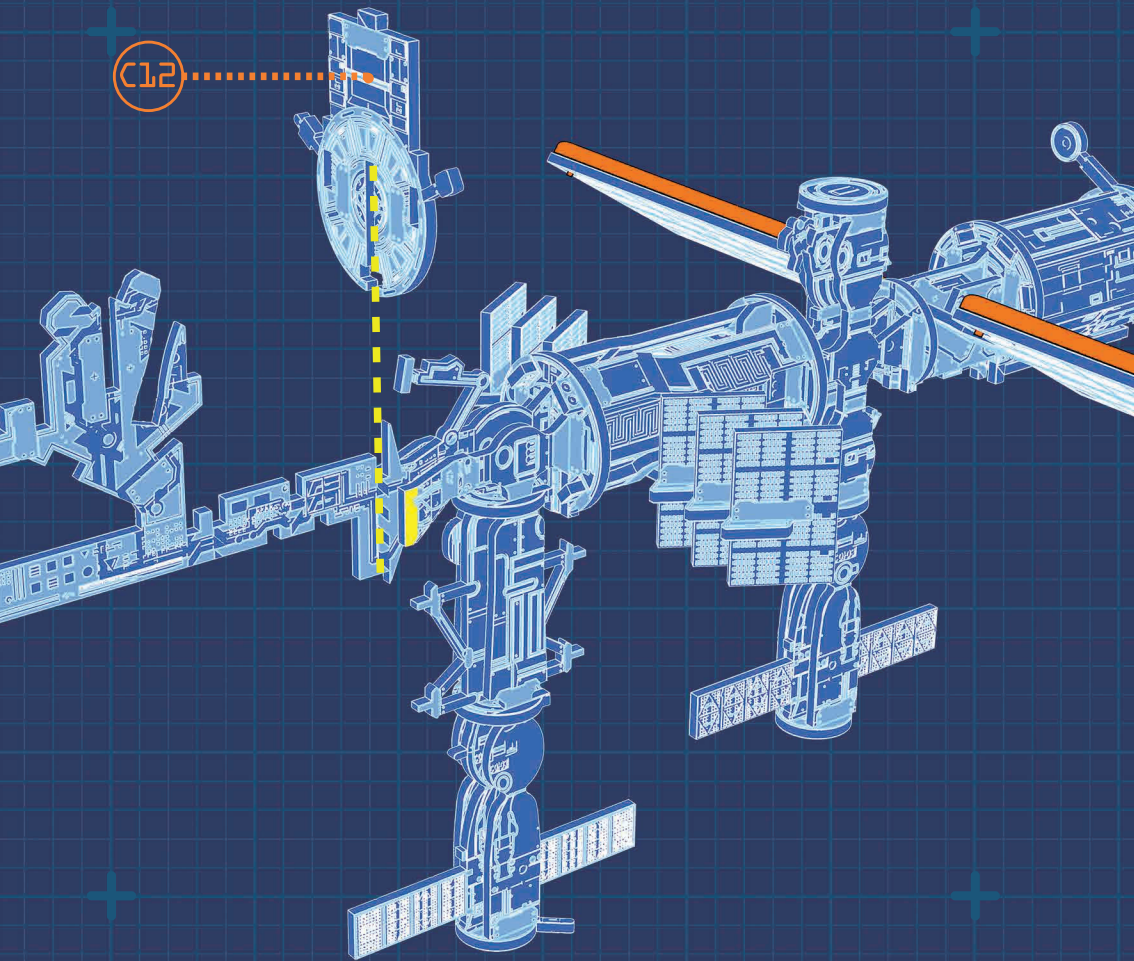


D31

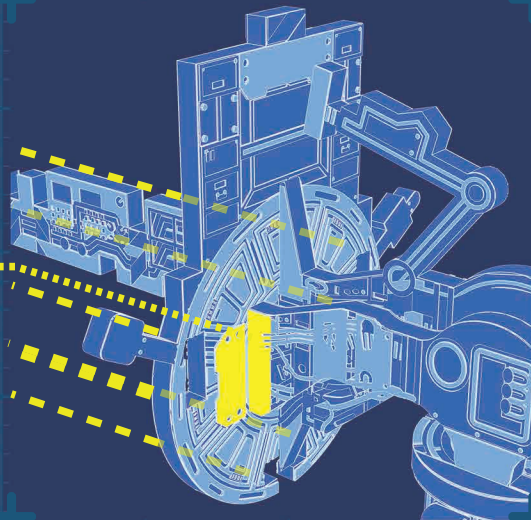
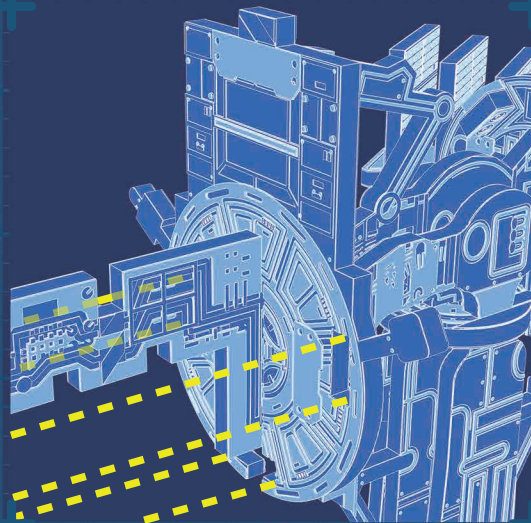
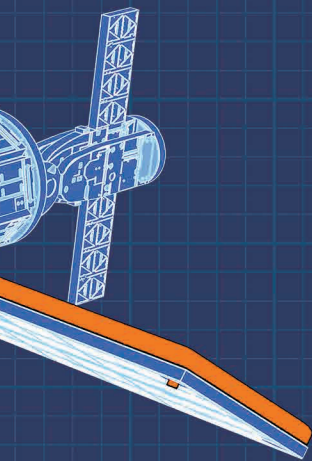
B22

B22



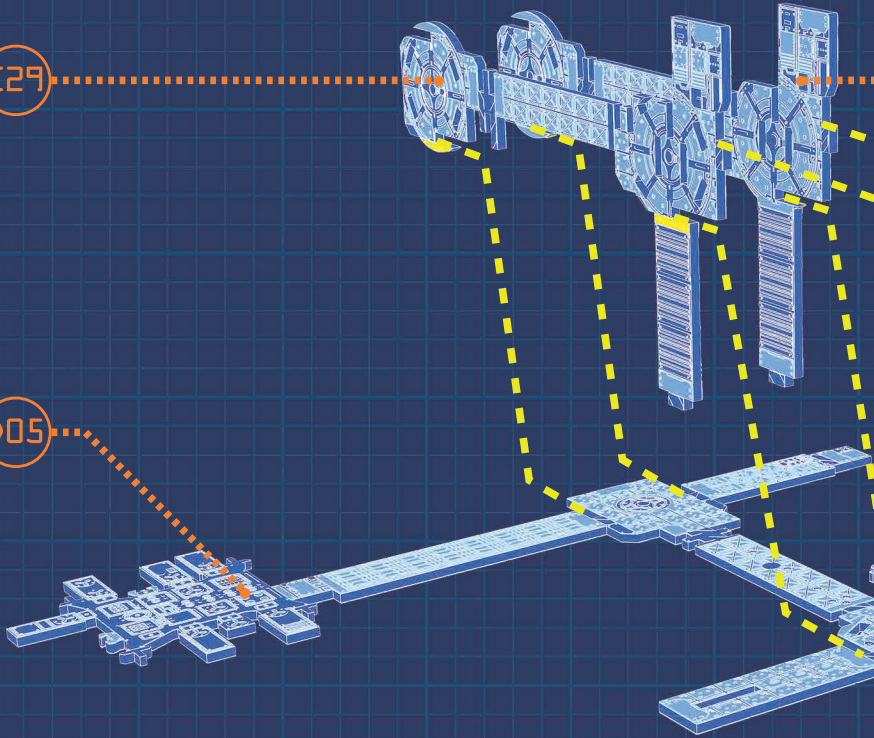


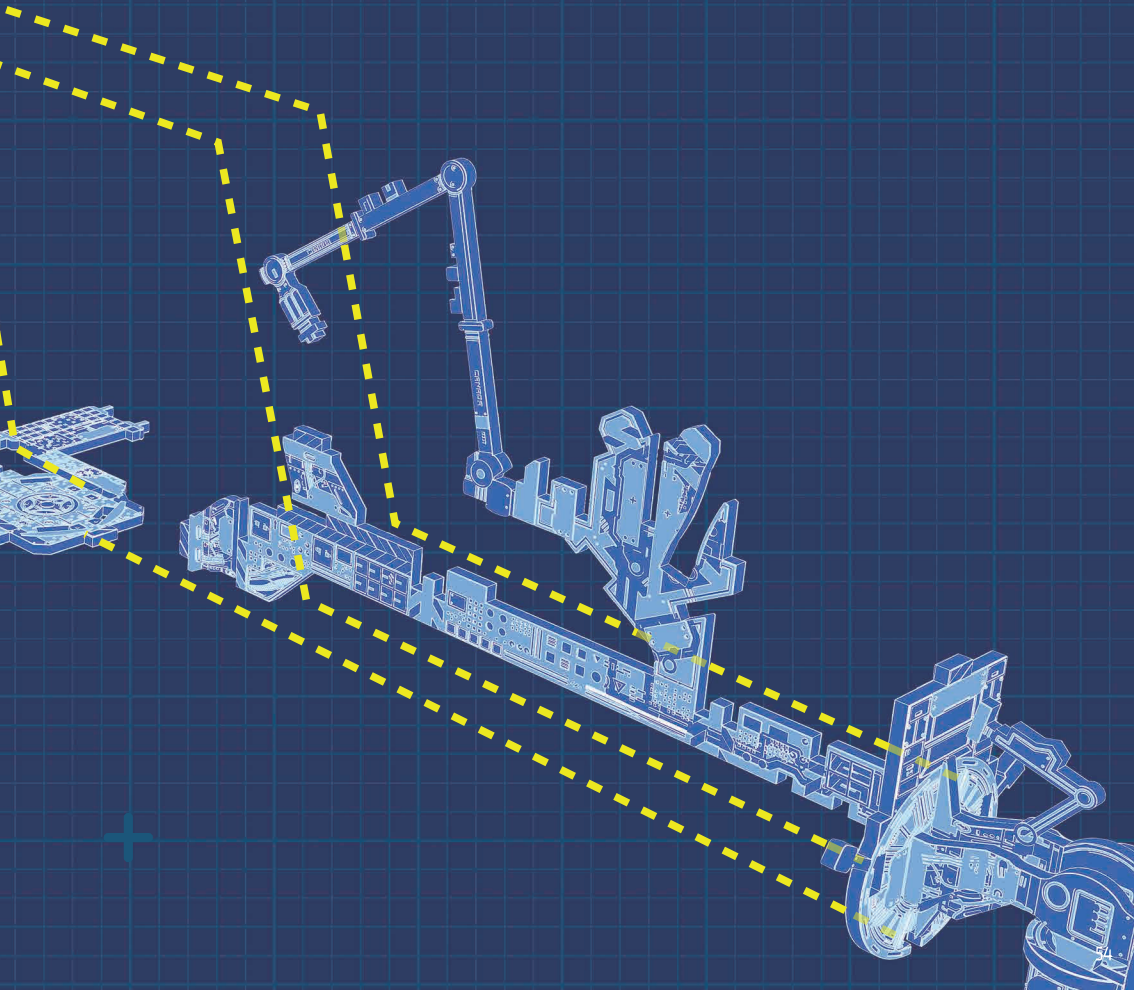
C12

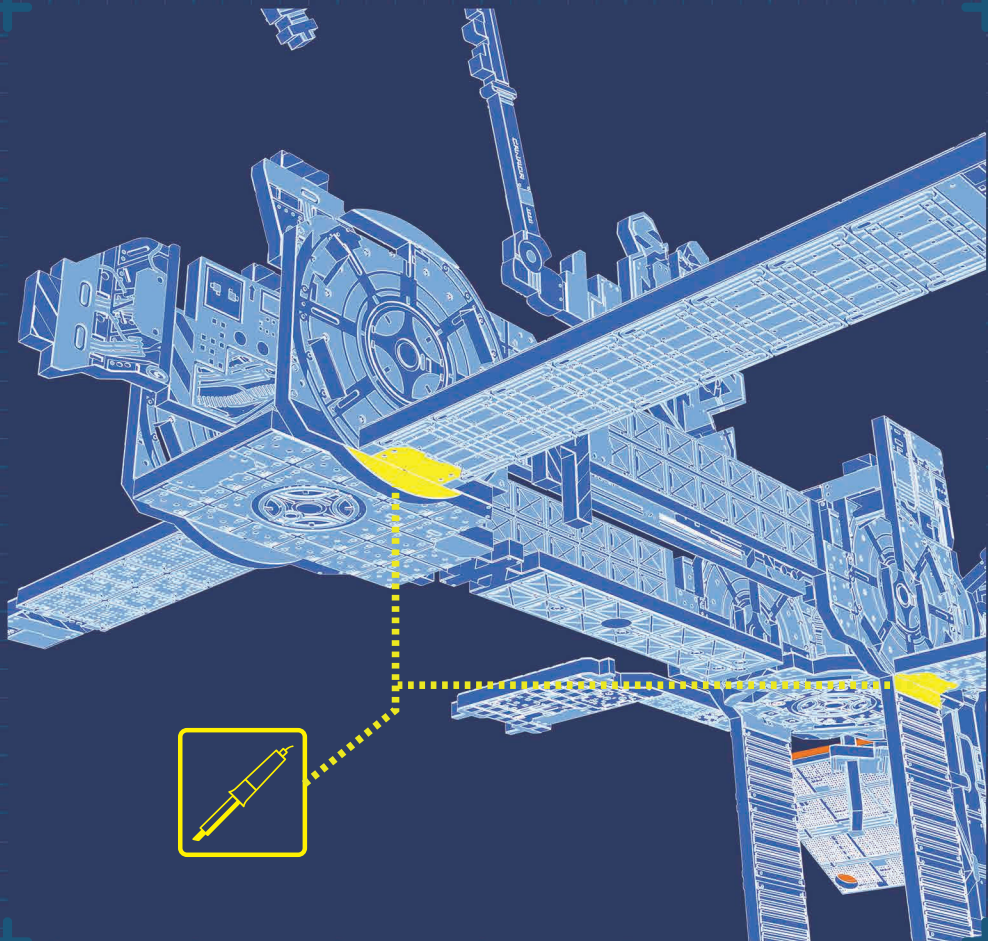


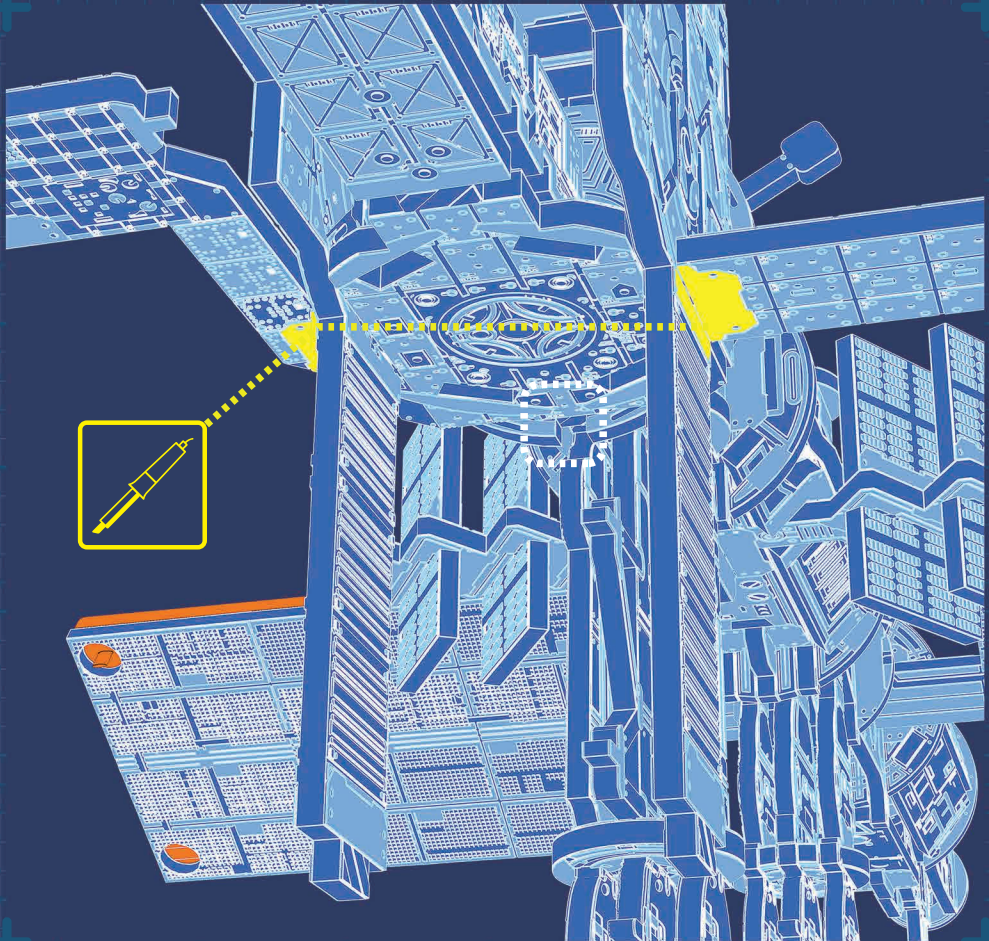
C29

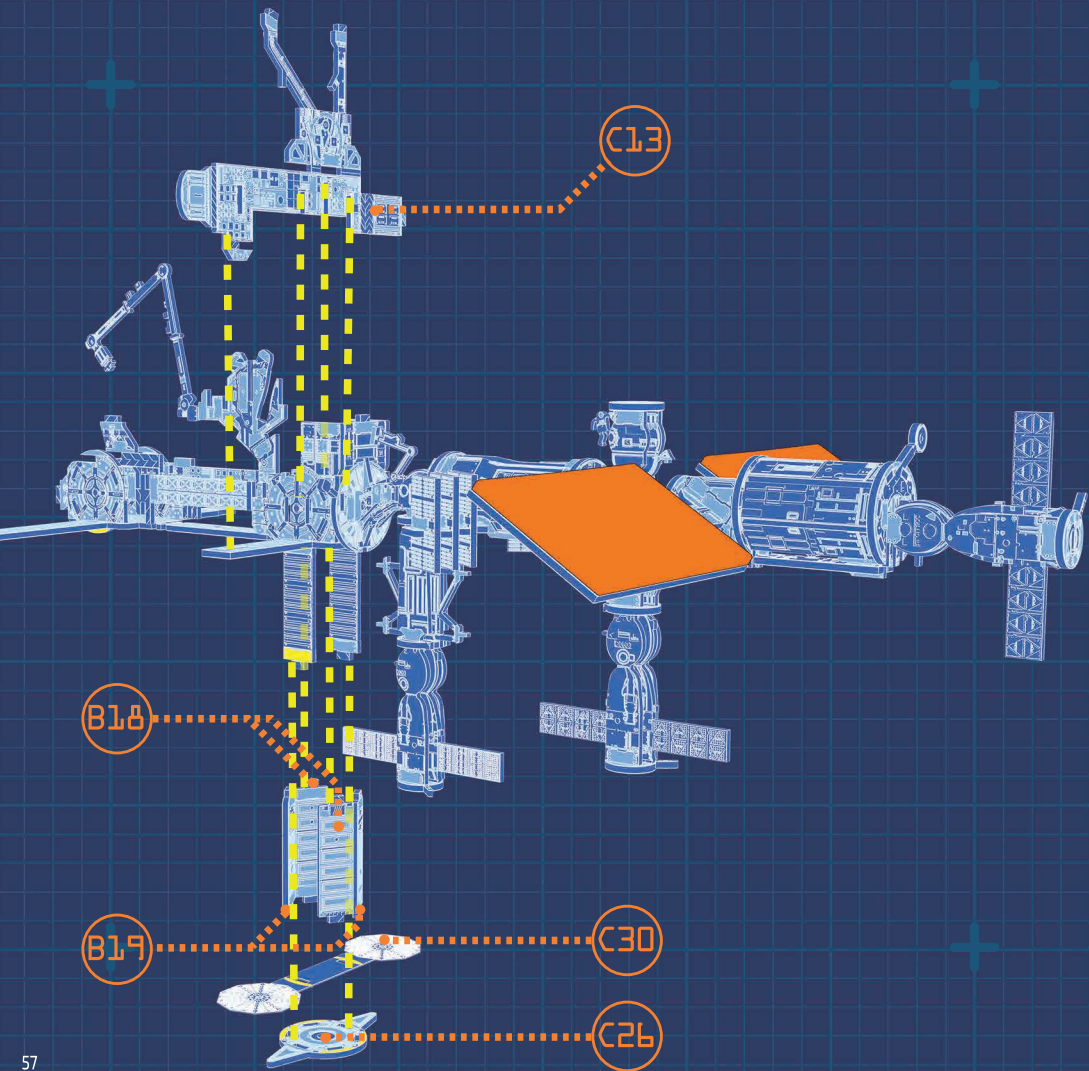
D05











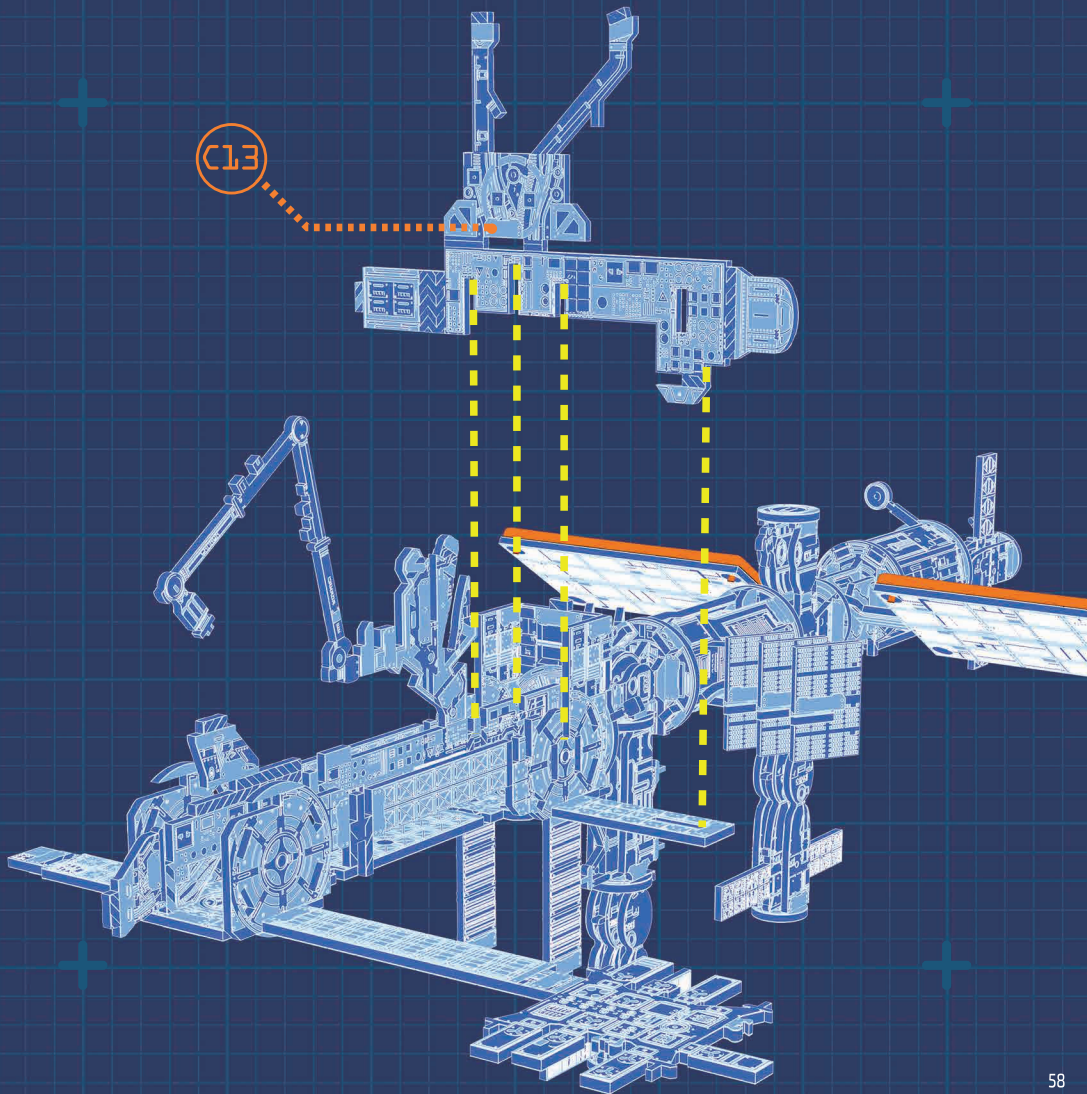
C13

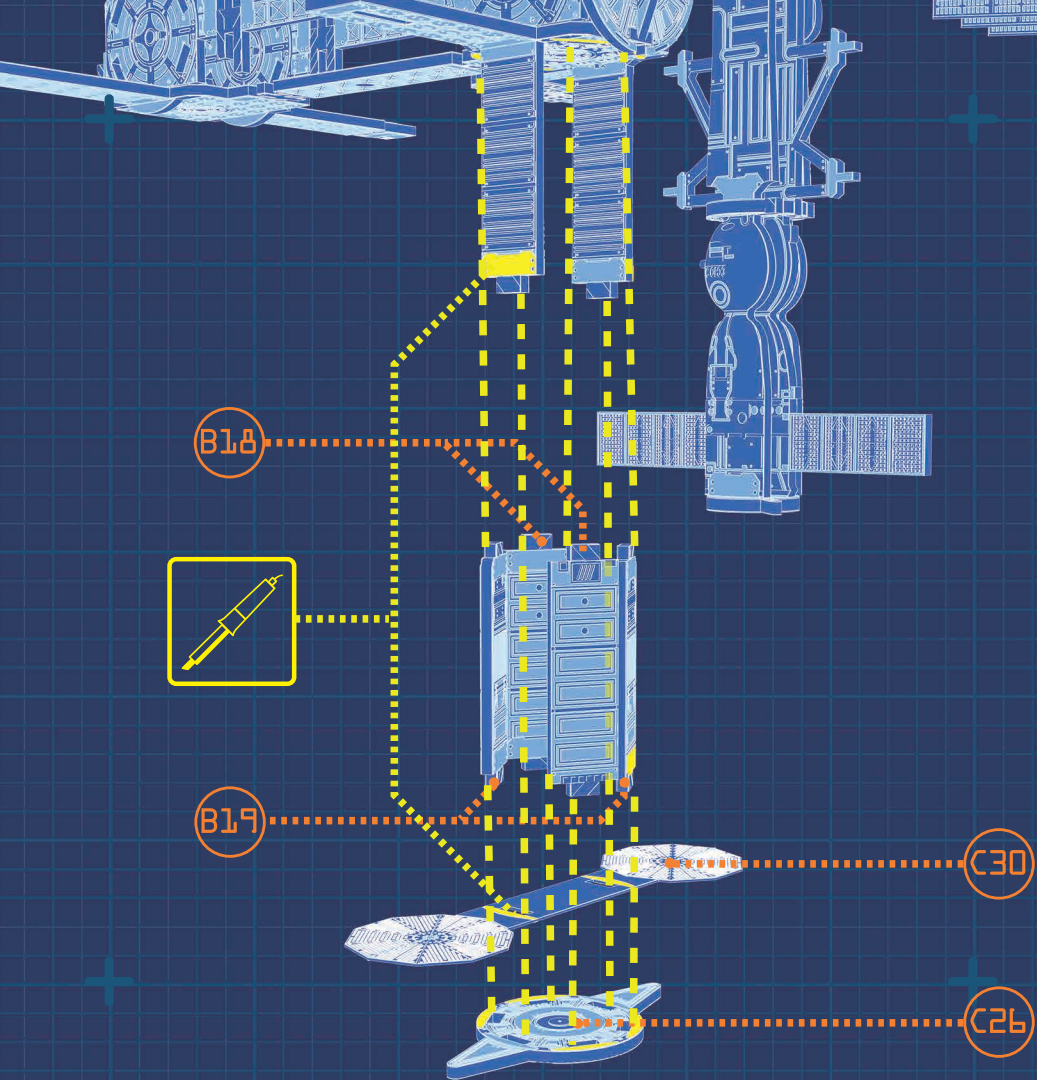
B18

B19

C30

C26





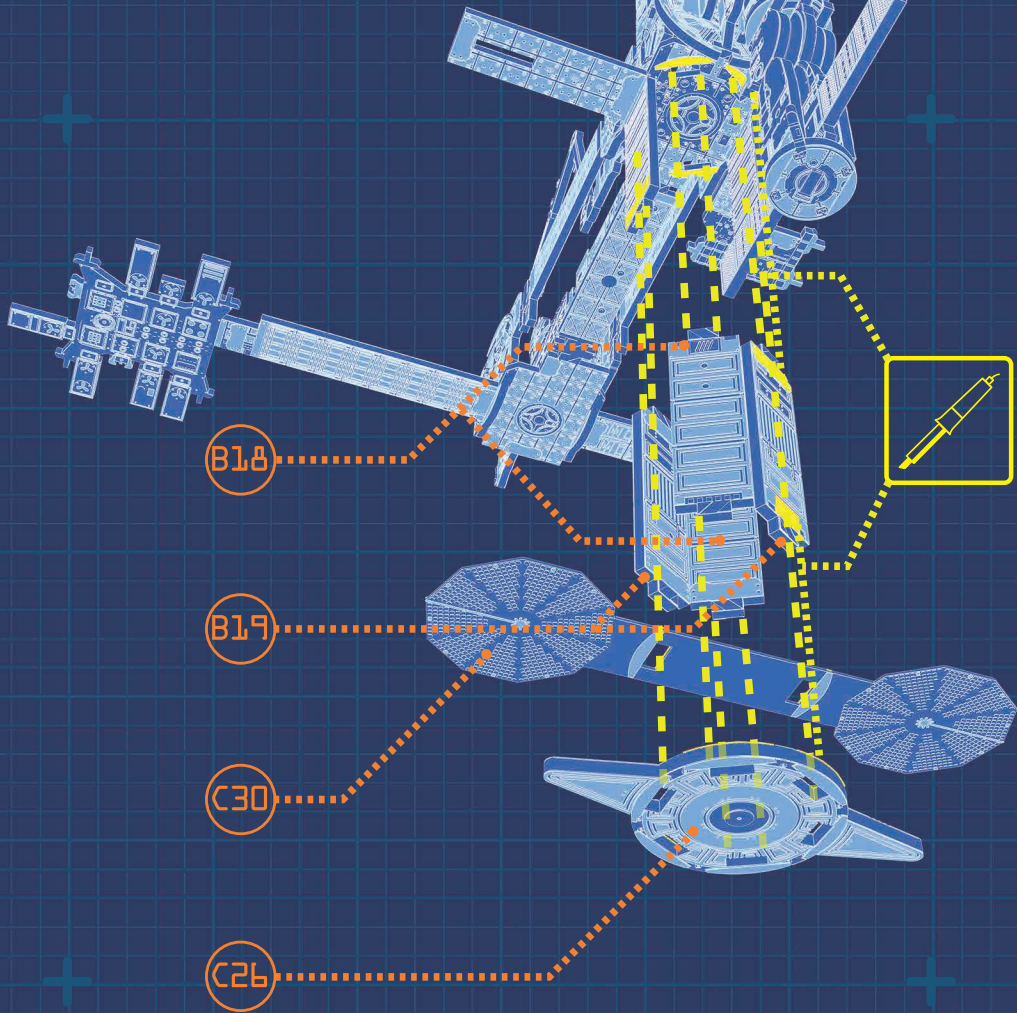
B18

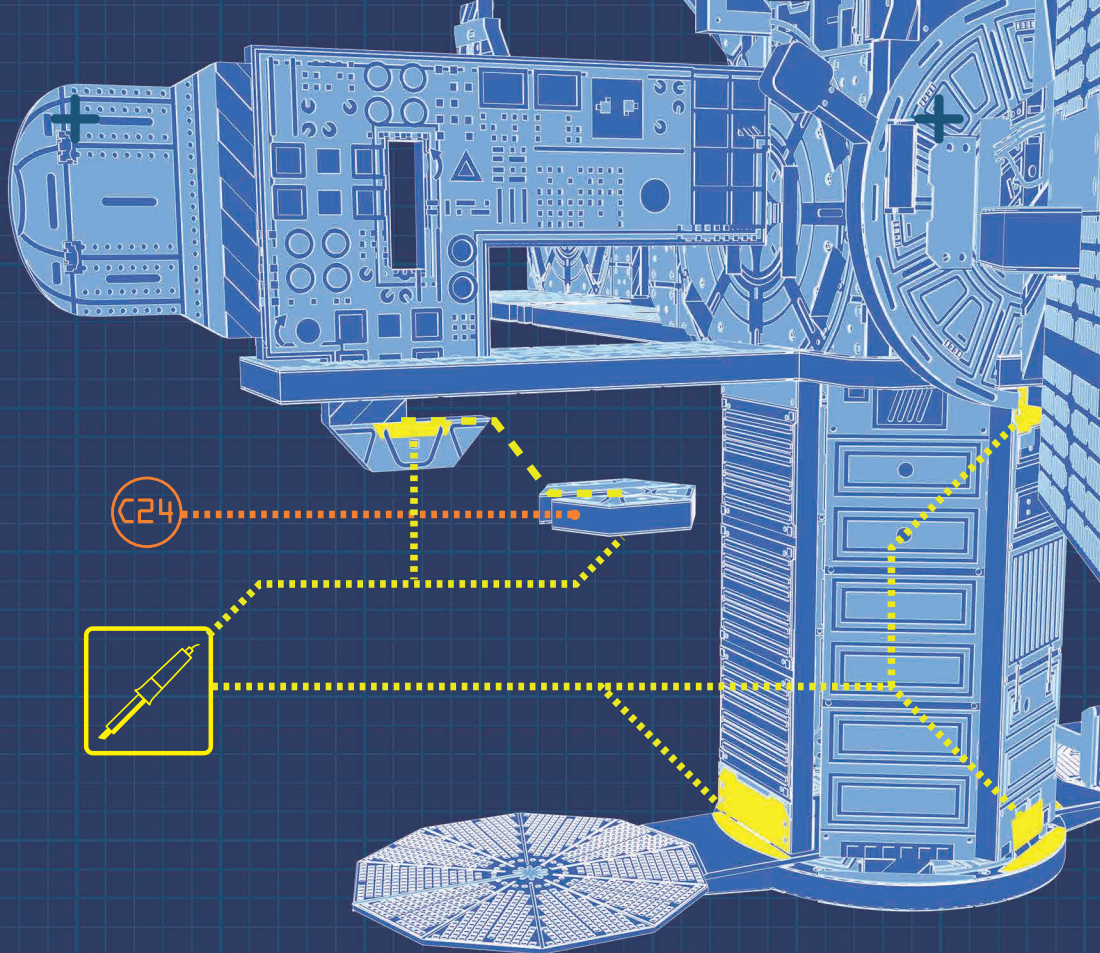


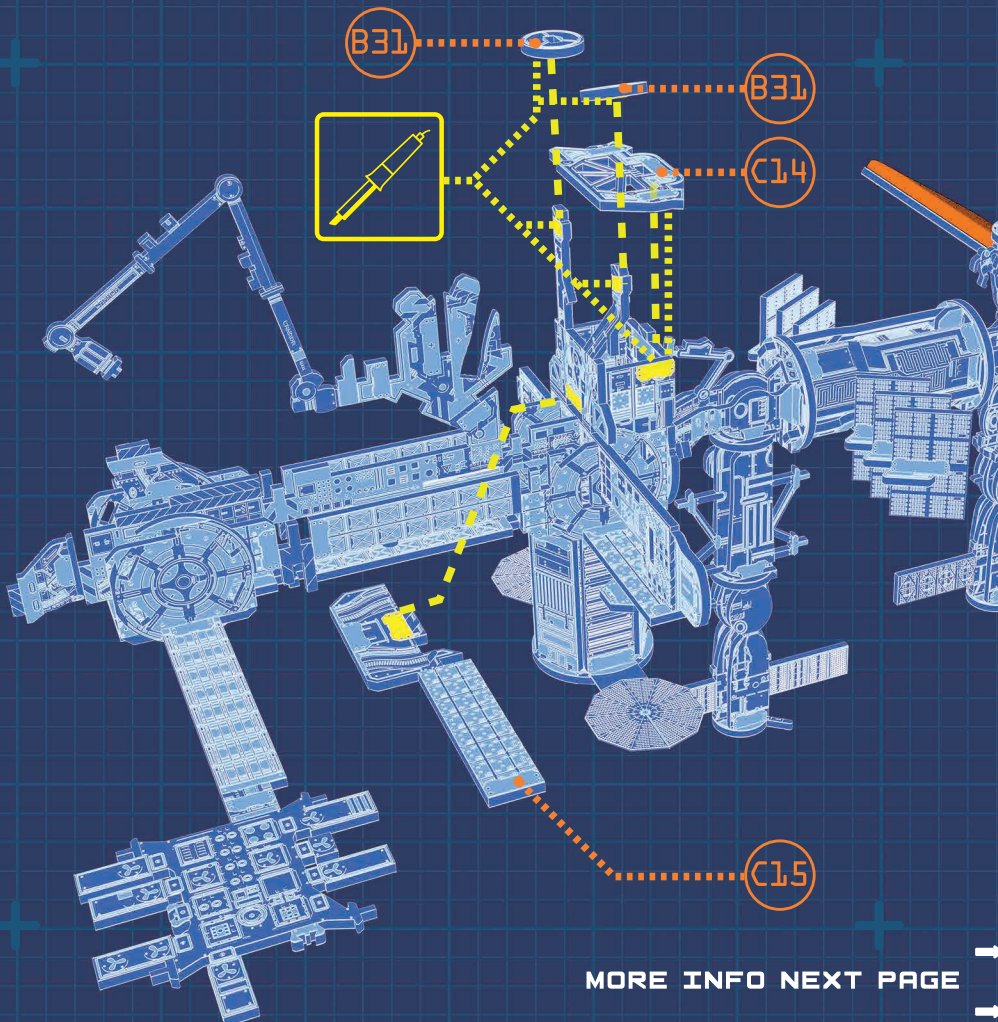
B19

C30

C26







MORE INFO NEXT PAGE

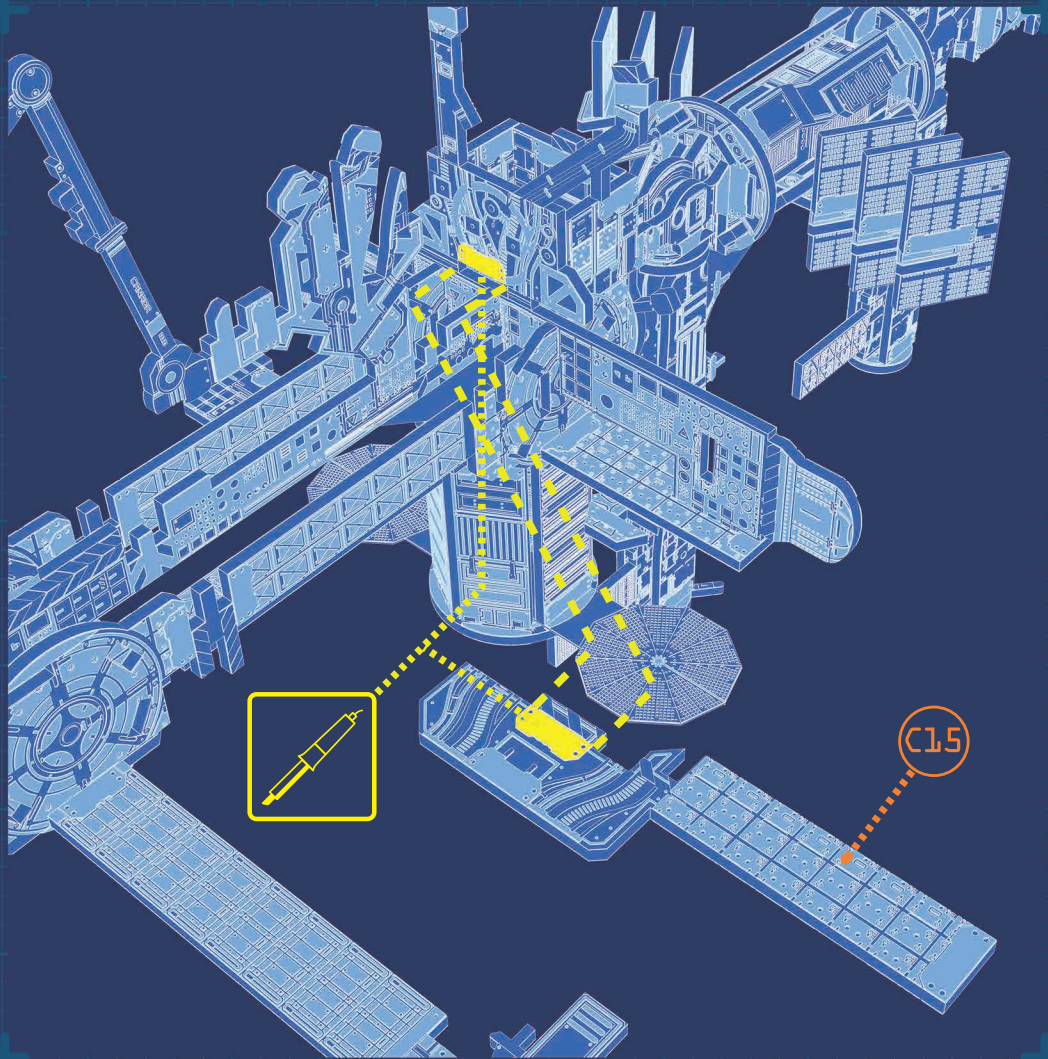
B31

B31

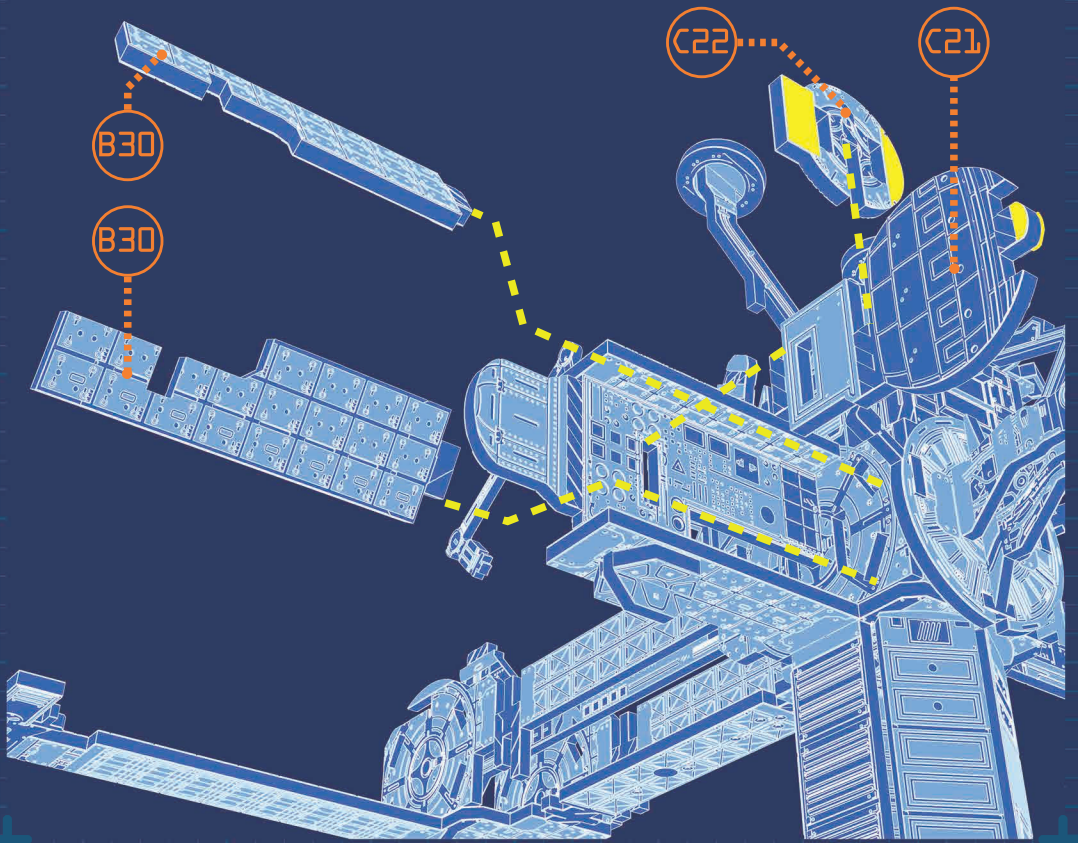


C14





C1.5

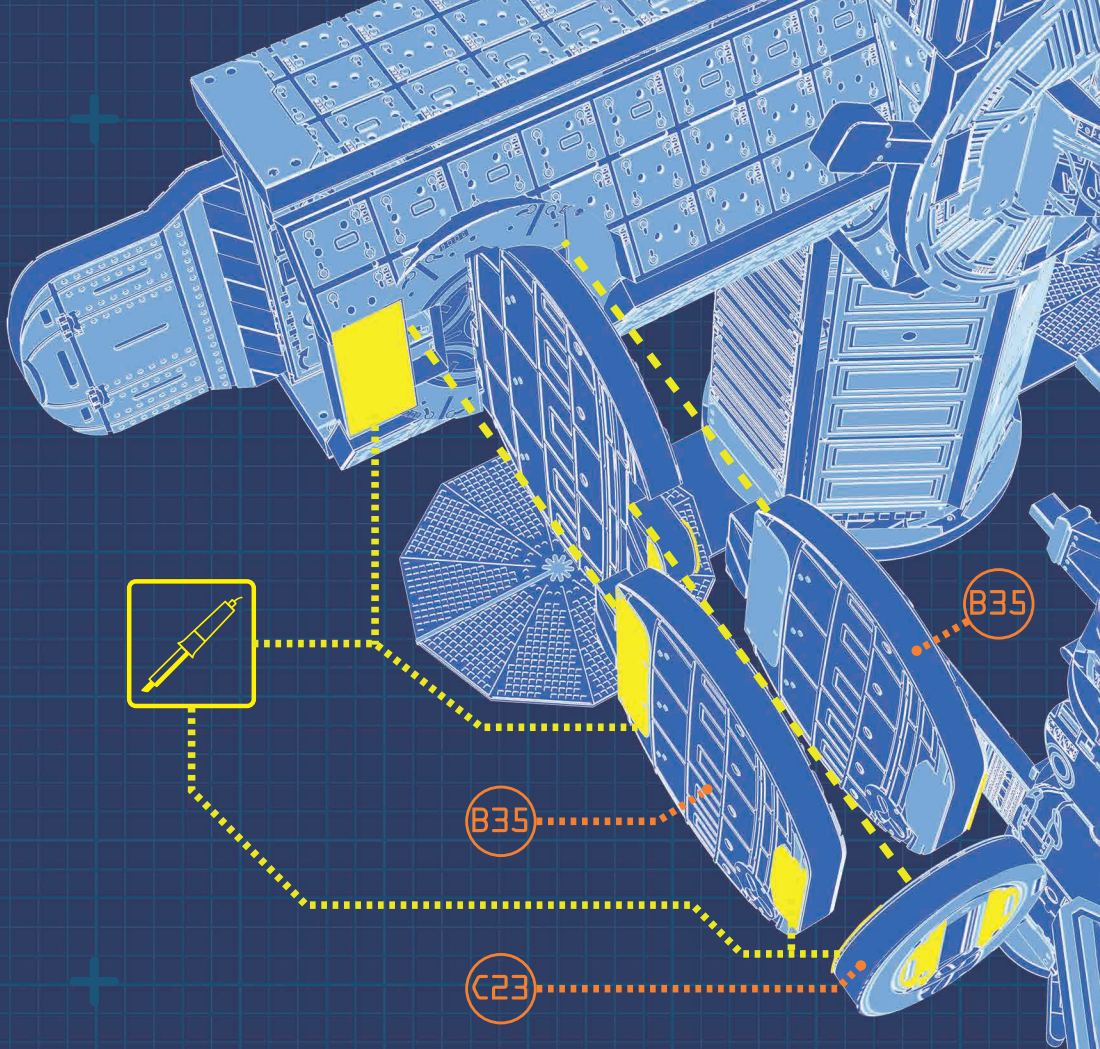


B30

B30

C22

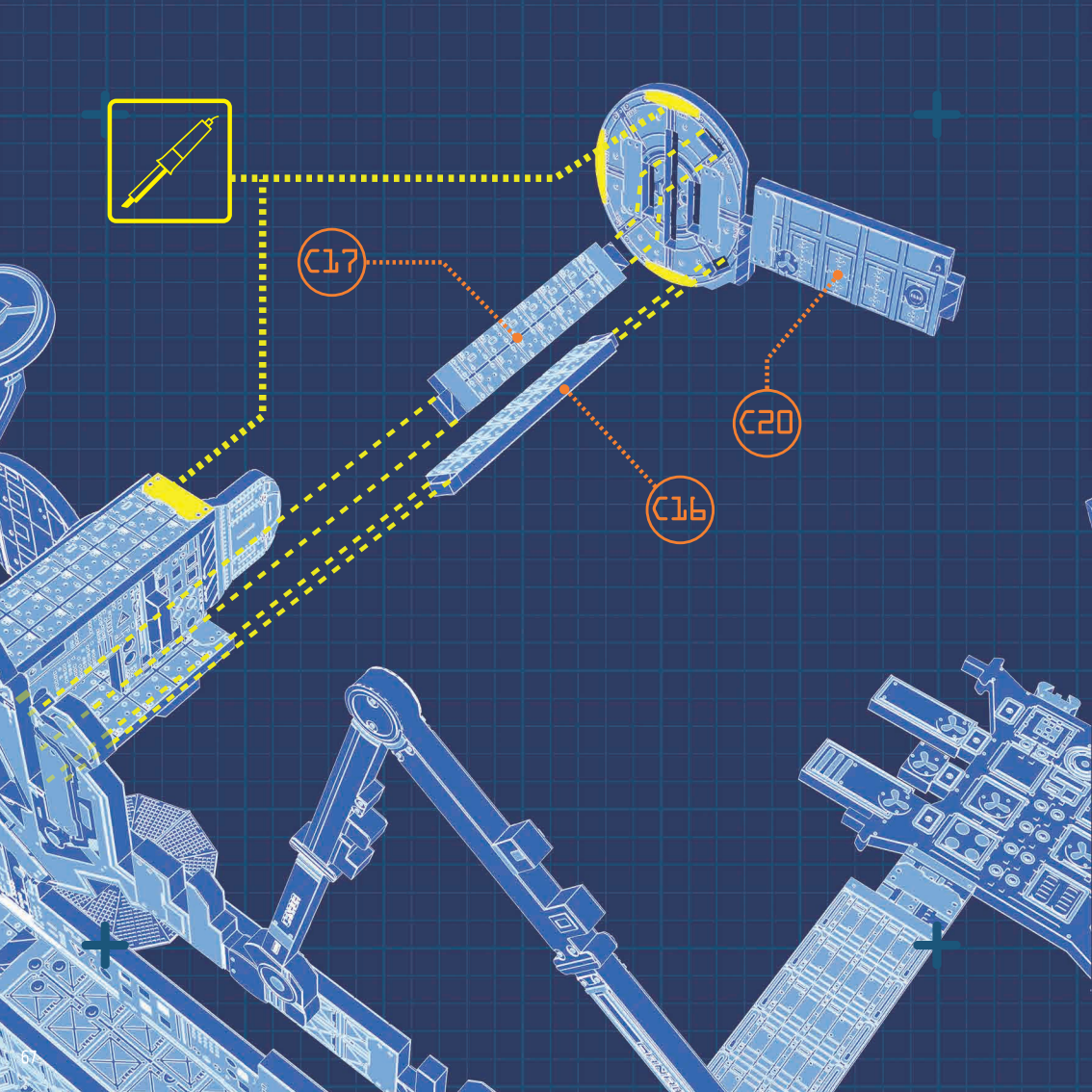
C21



B35

B35

C23

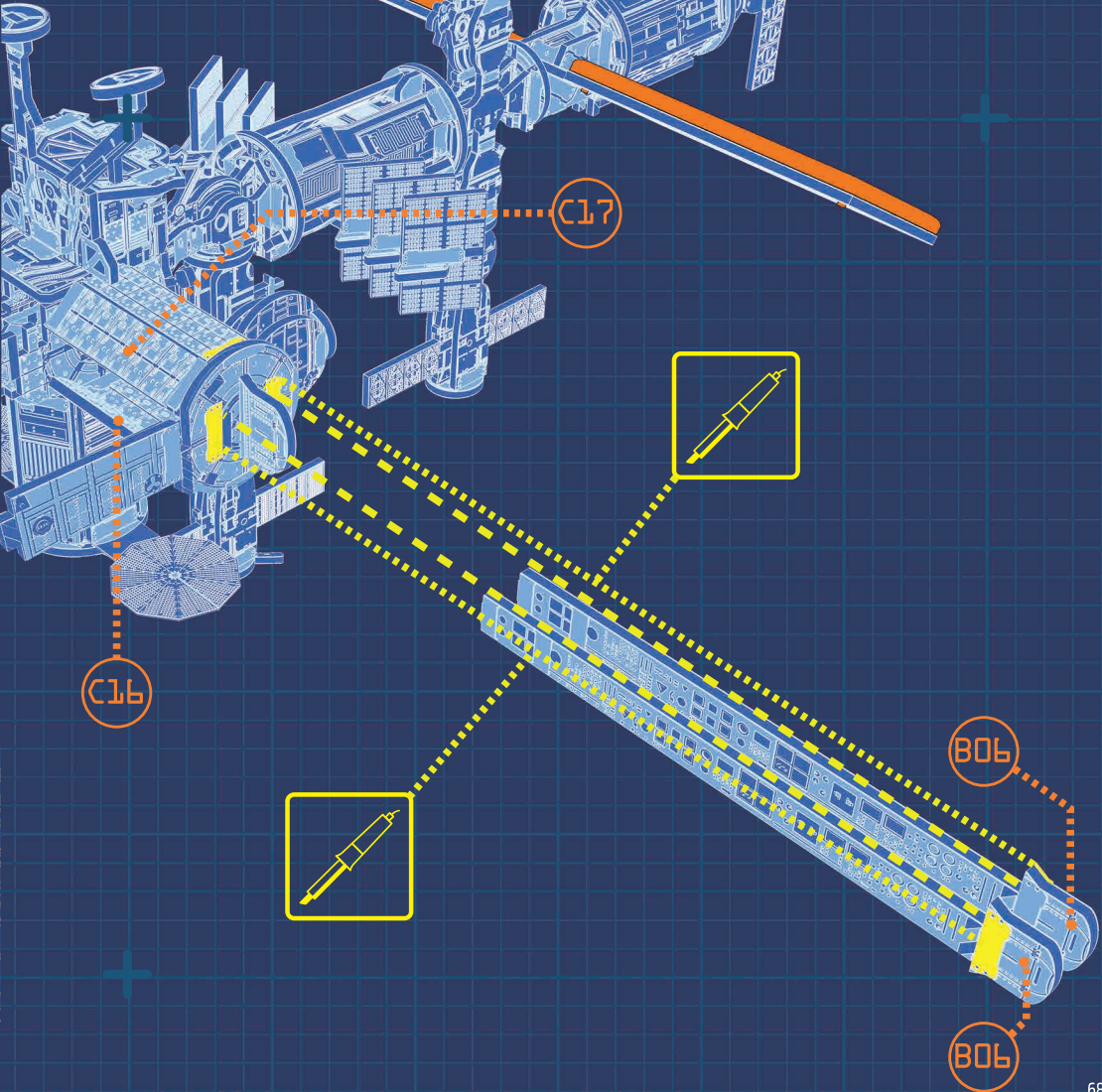


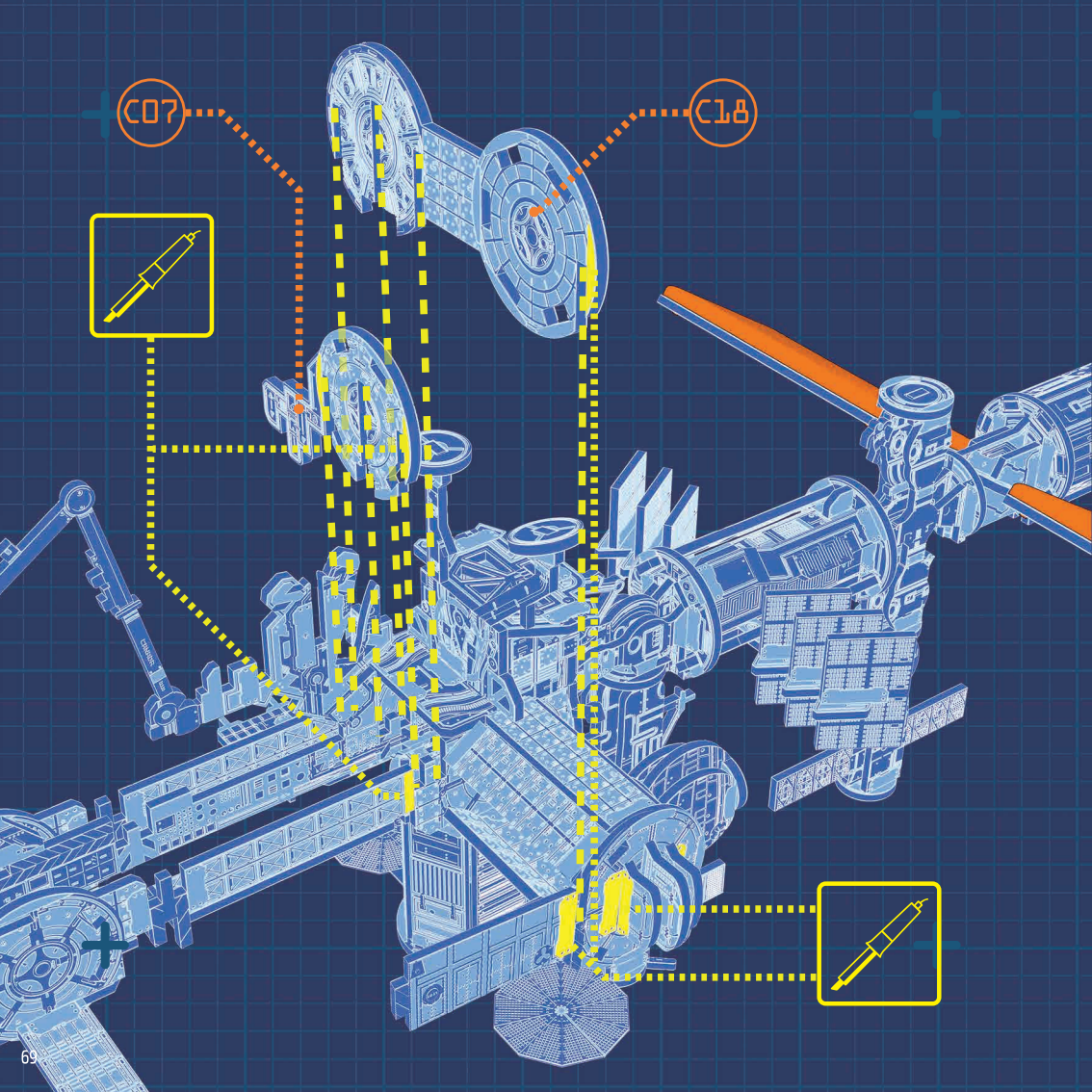
C17

C20

C16

LASSER

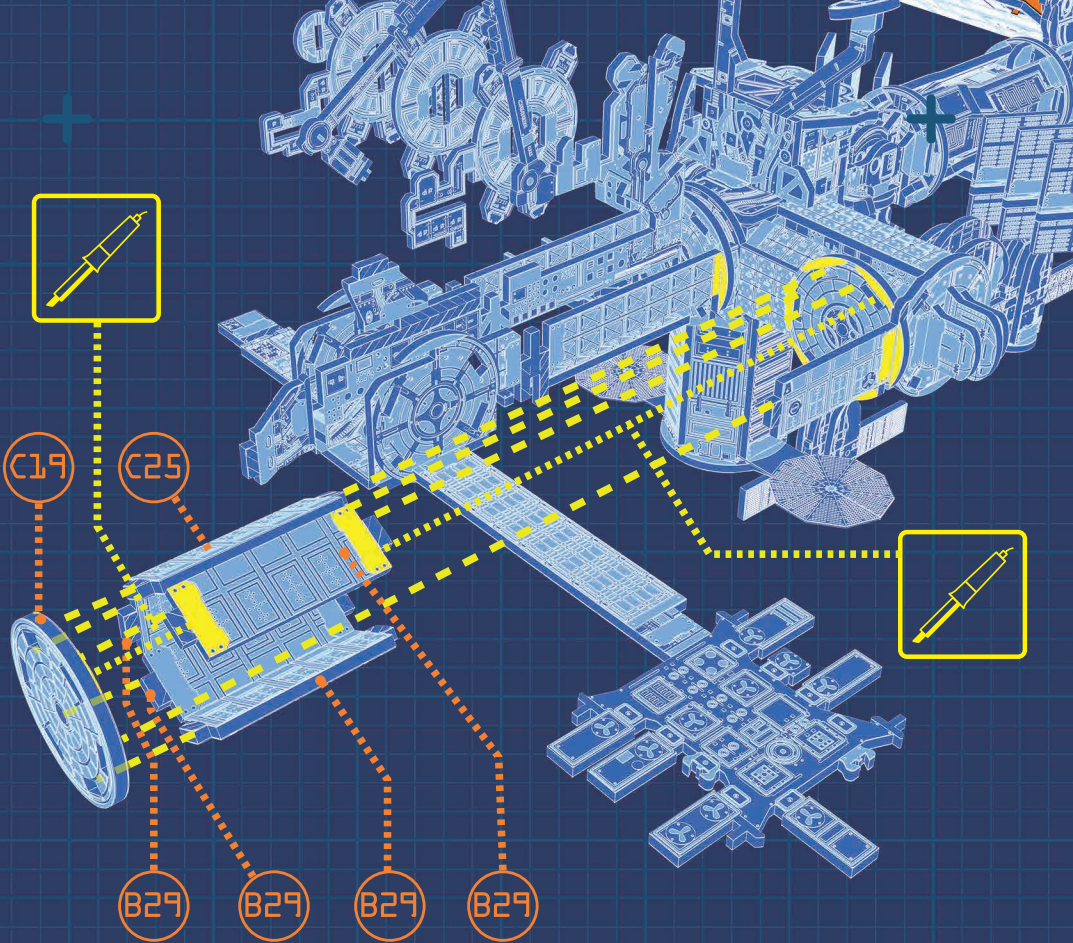


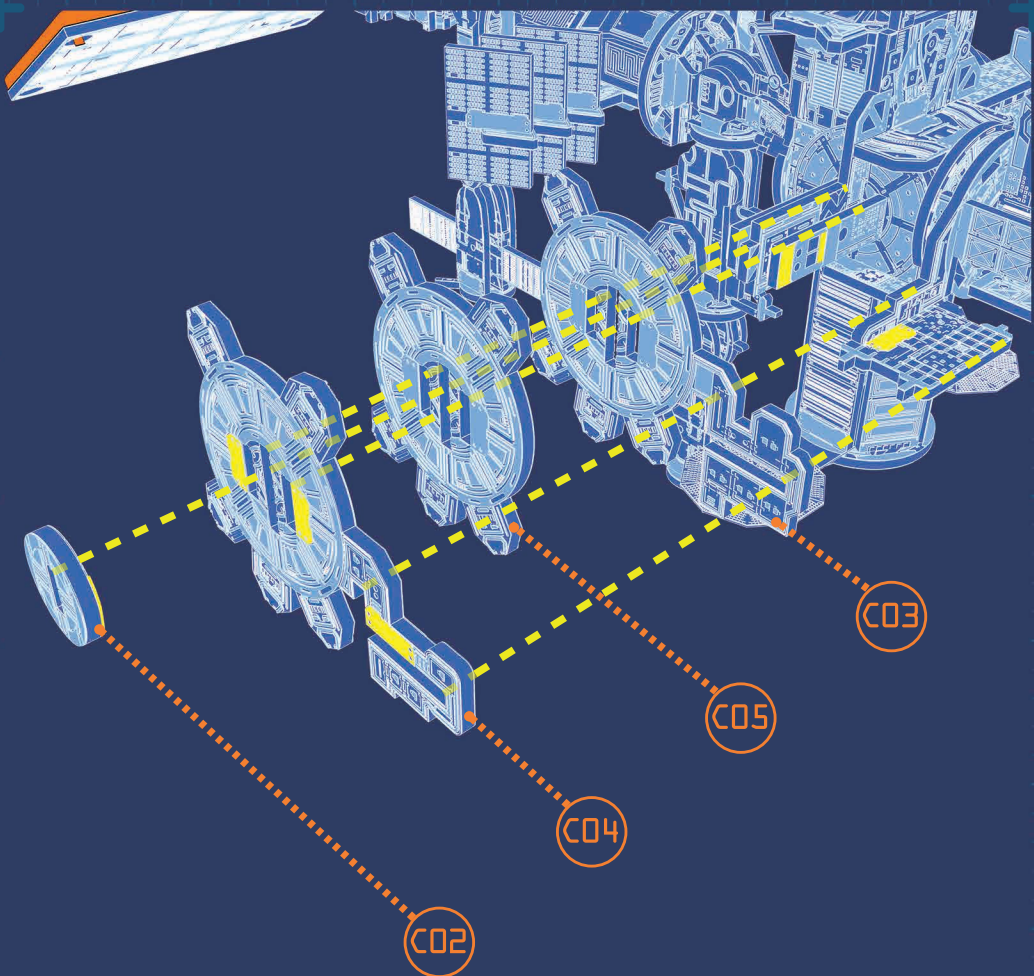


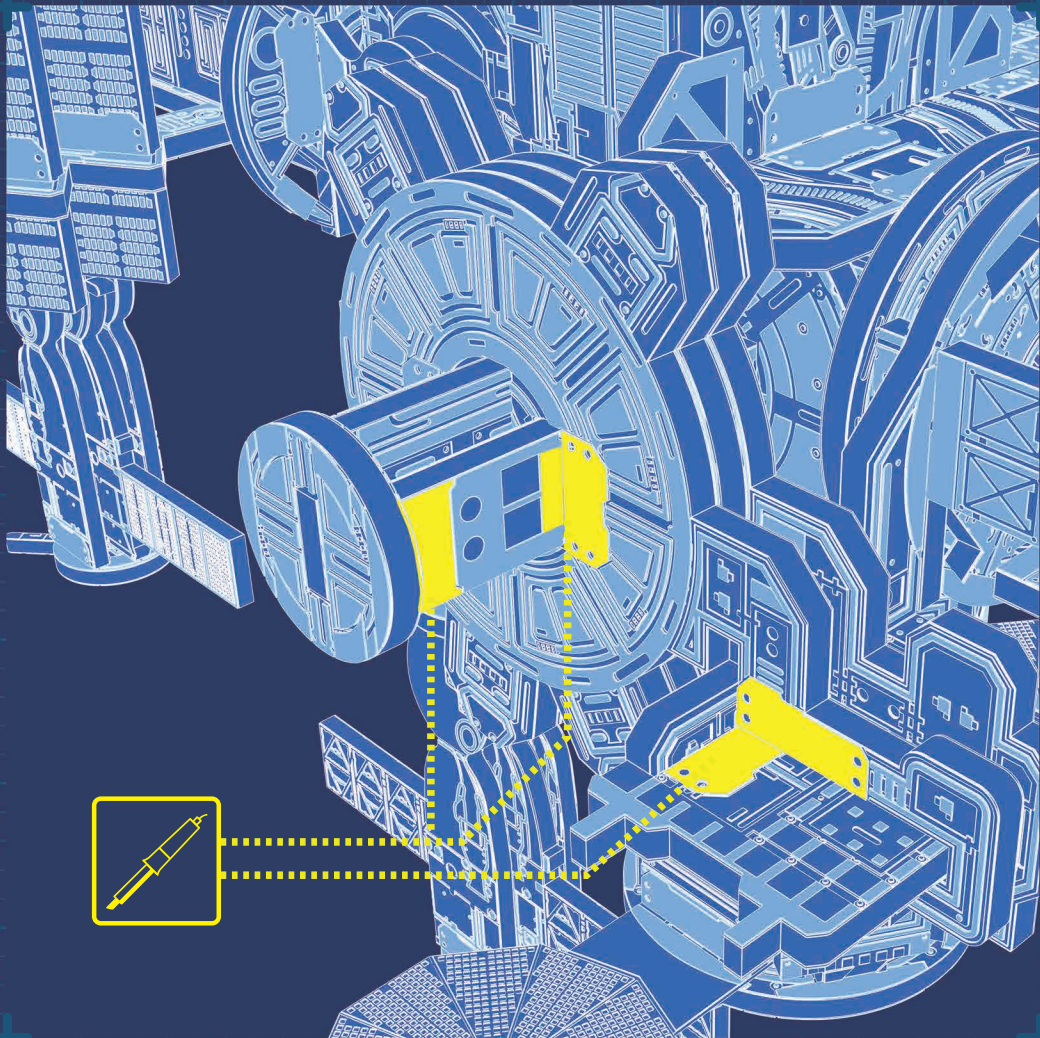
C07

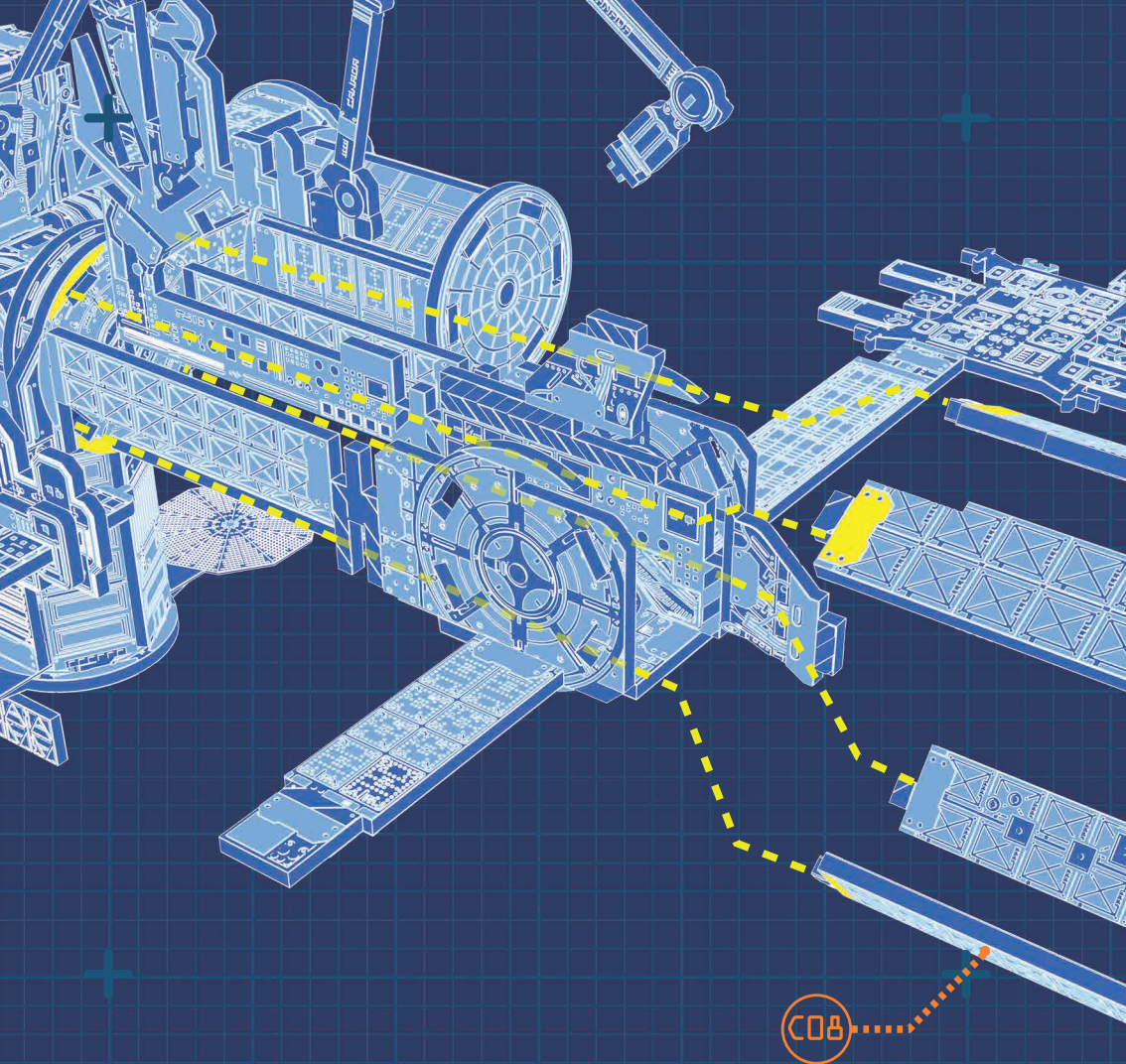
C18

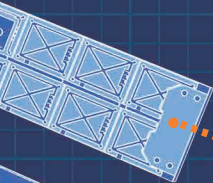
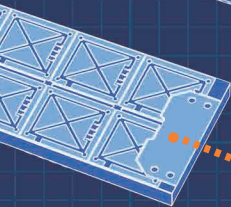
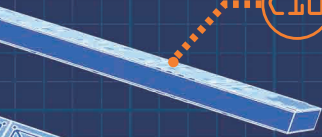








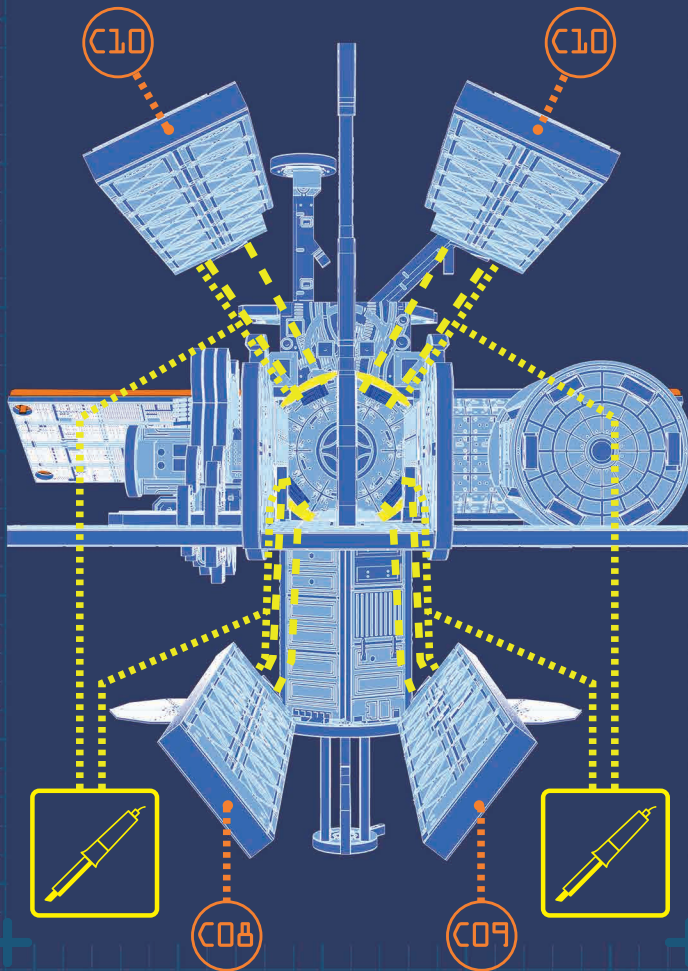




C10

C10

C09

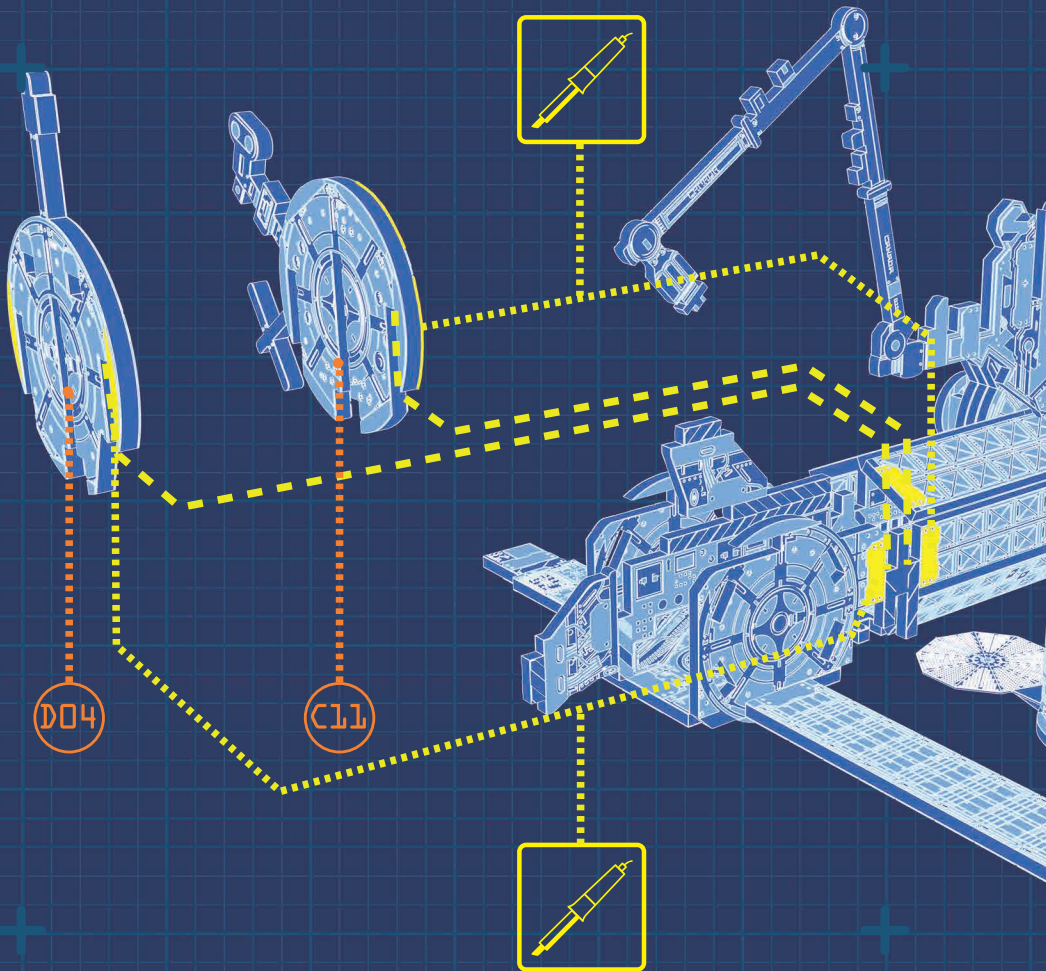


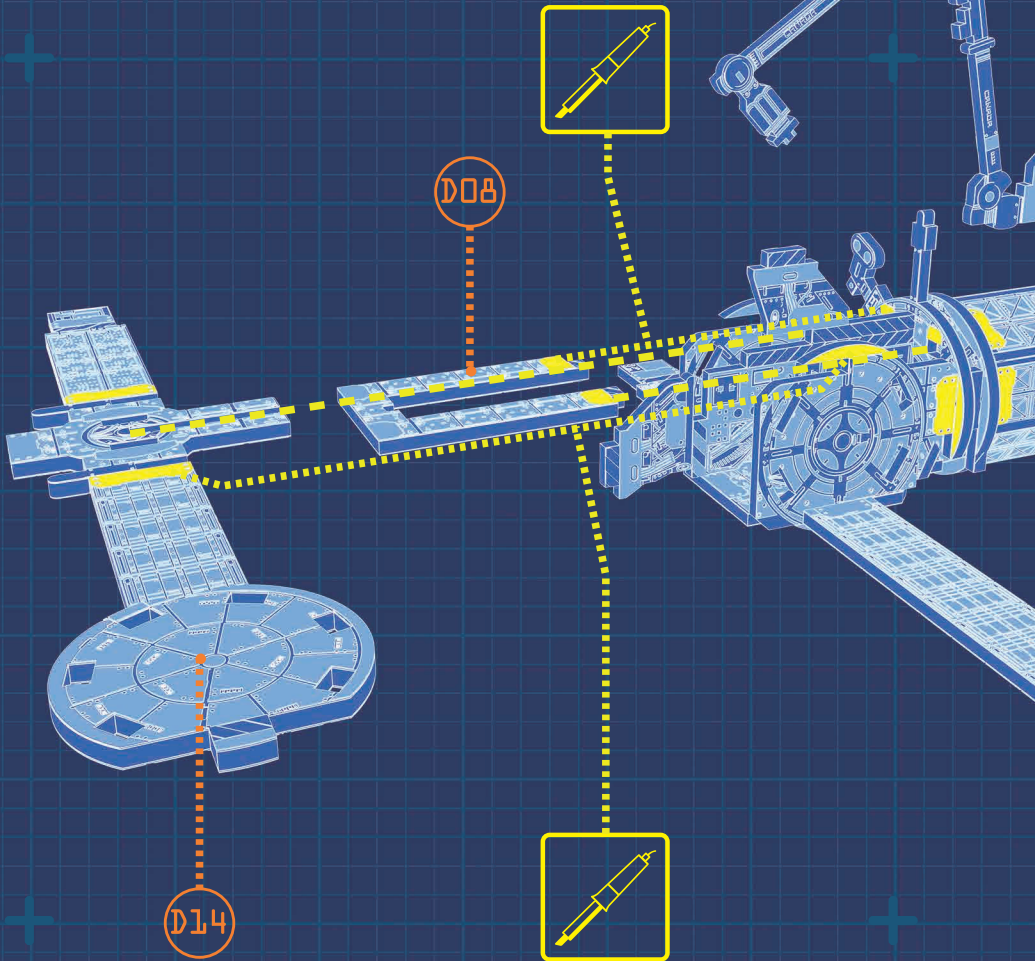
C10

C10

C08

C09





D10

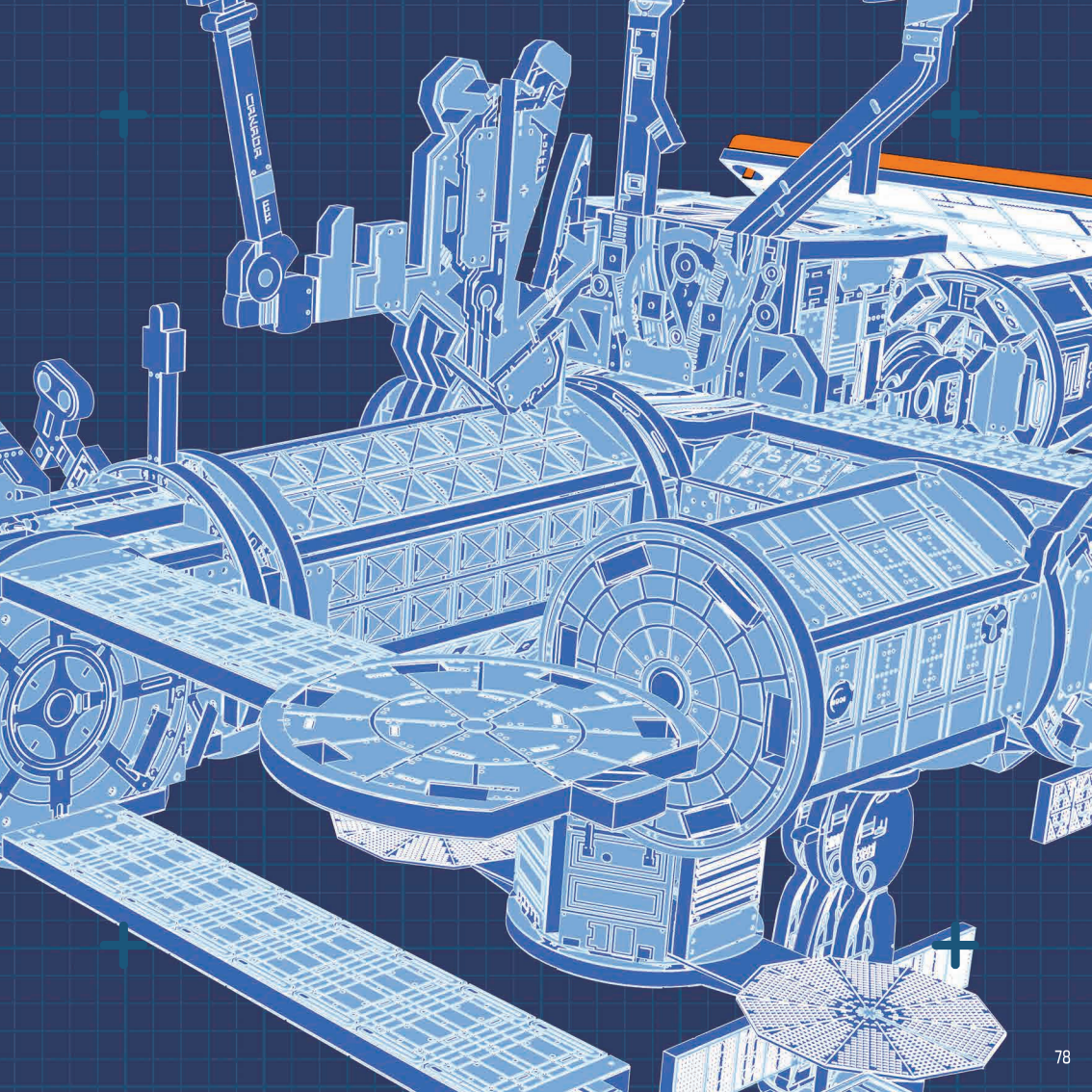
D15



1

2





D1.5

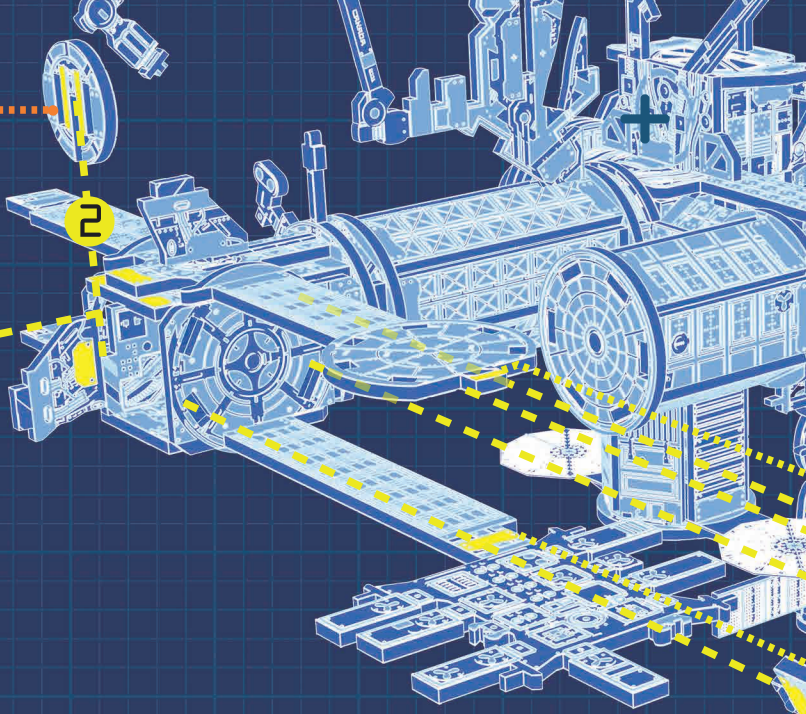


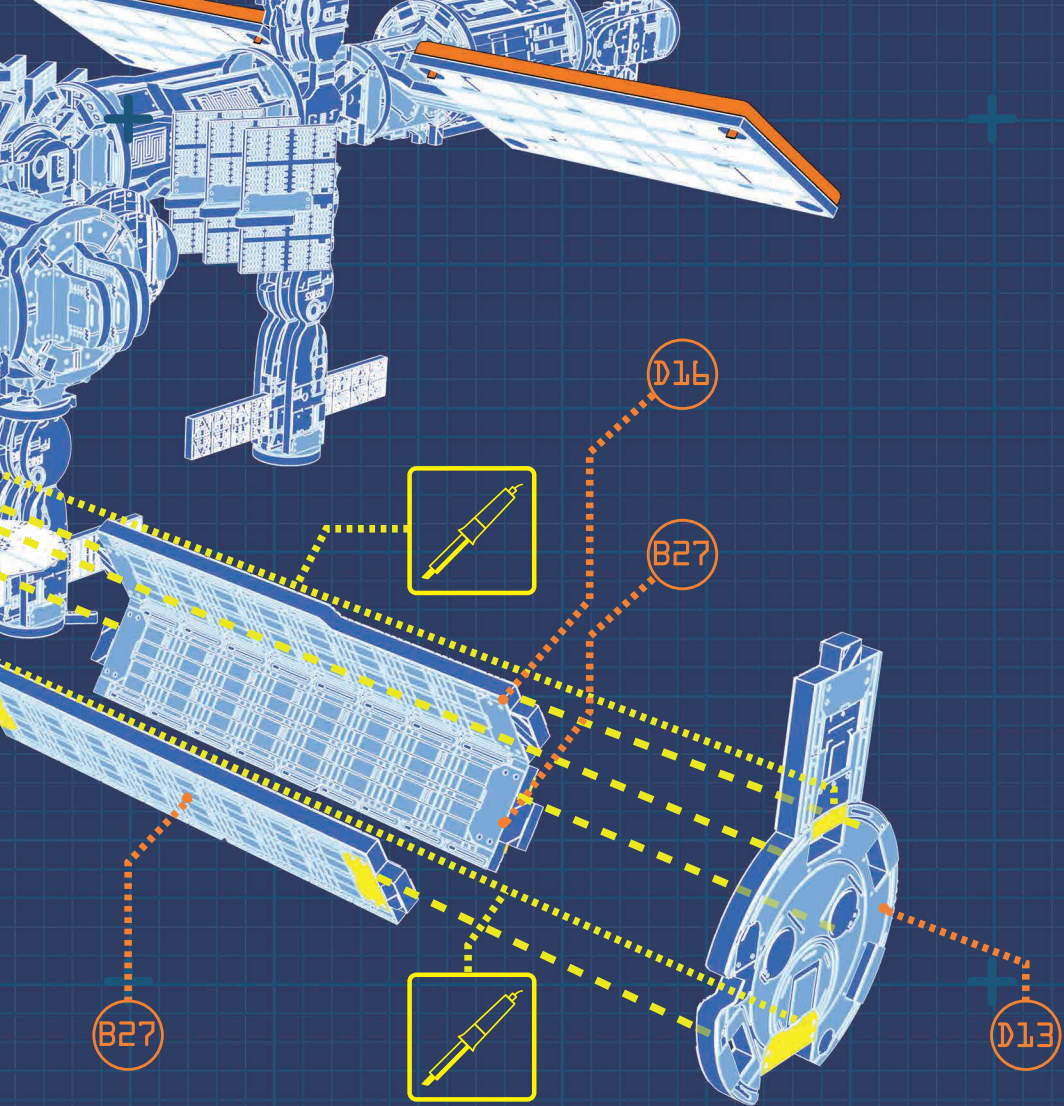
2

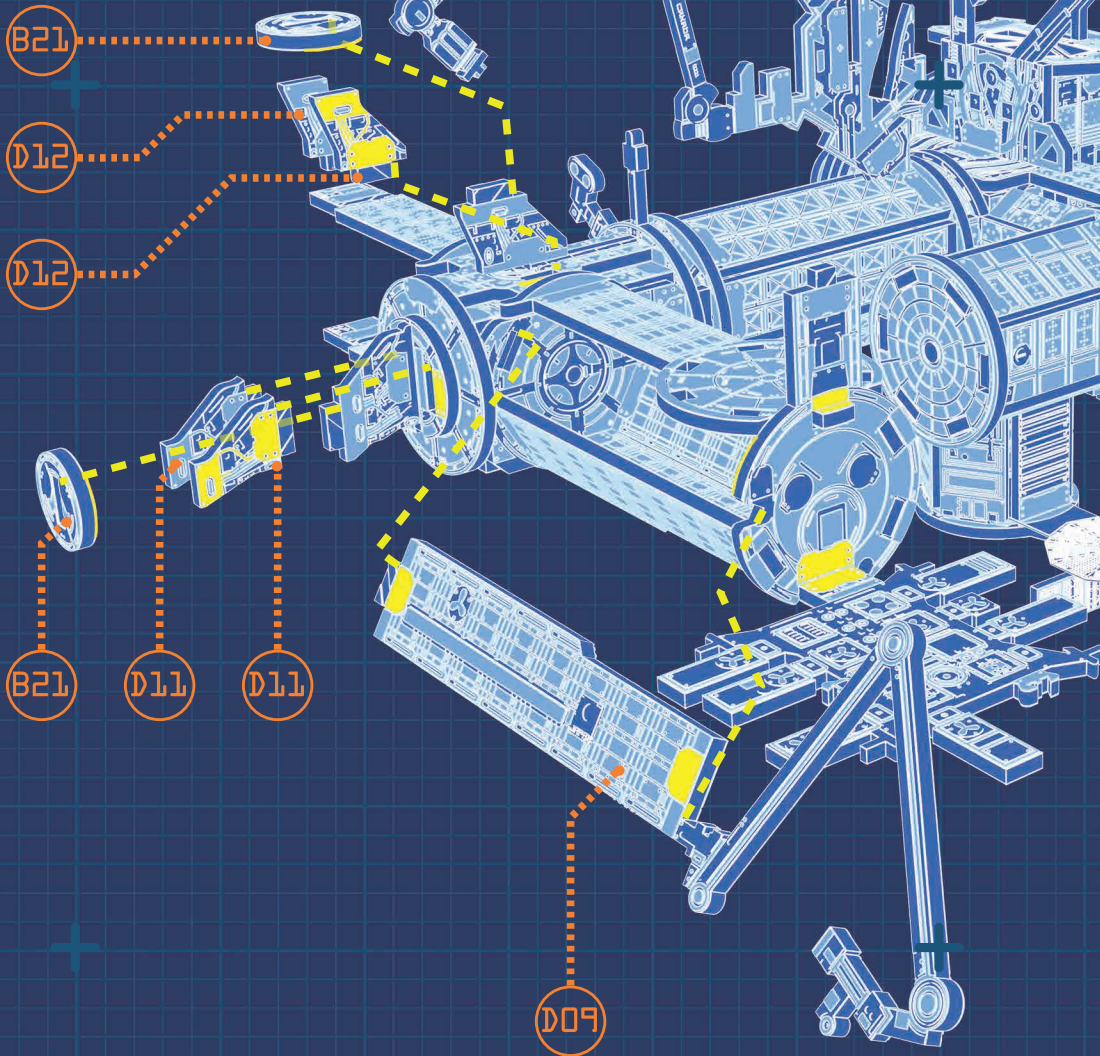
1

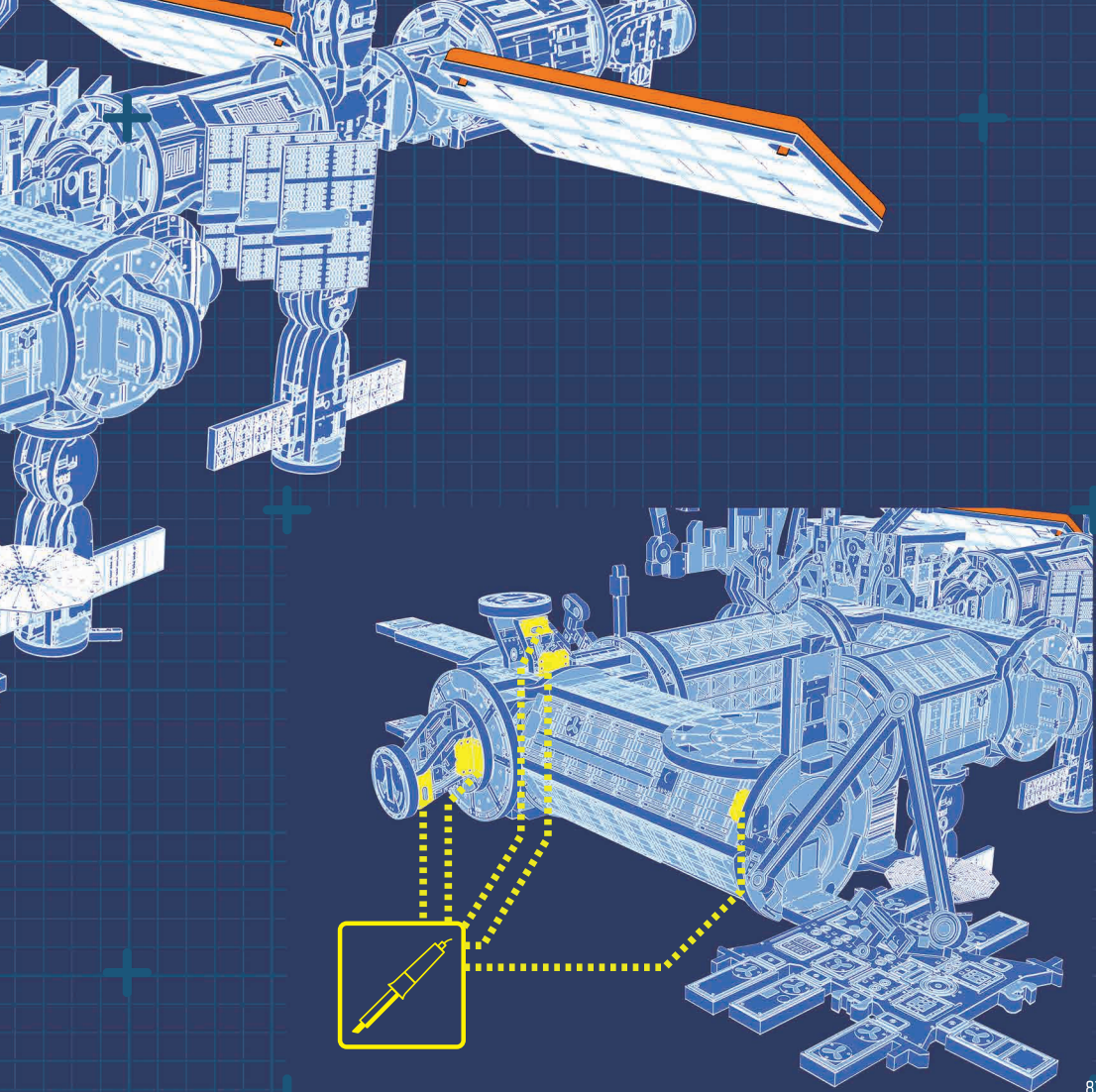


D1.0





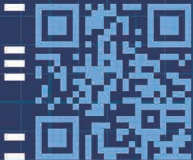




KEEP SAFE



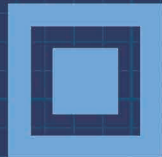
READ BEFORE FLIGHT



f/@ WE.ARE.GEEKCLUB

MORE FUN STUFF ON OUR WEBSITE !!!
A QUESTION ? SOME COMMENTS ?

WWW.GEEKCLUB.COM



KEEP SAFE