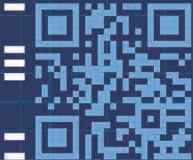


KEEP SAFE



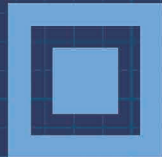
READ BEFORE FLIGHT



f/@ WE.ARE.GEEKCLUB

MORE FUN STUFF ON OUR WEBSITE !!!
A QUESTION ? SOME COMMENTS ?

WWW.GEEKCLUB.COM



KEEP SAFE

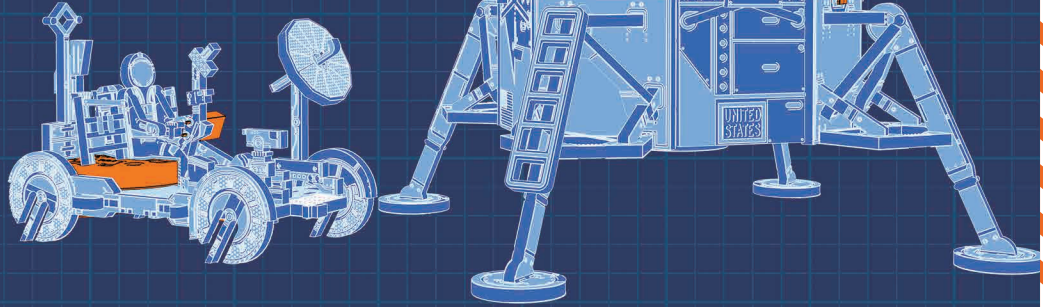
KEEP SAFE ▶



INSTRUCTION MANUAL

APOLLO

LUNAR MODULE LM
MOON ROVER LRV



READ BEFORE FLIGHT



VIDEO INSTRUCTIONS



GEEKCLUB.COM



SMALL COMPONENTS



CLIPPING ELEMENTS

RoHS

CERTIFIED



ADULT SUPERVISION



CHOKING HAZARD



LEAD FREE



THIS MIGHT HELP



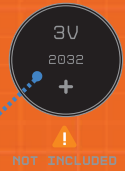
FUN PCB



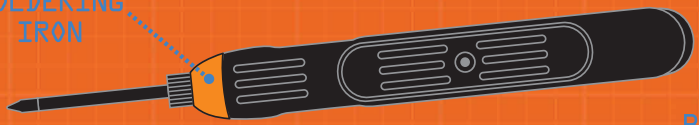
USING GLASSES WHEN SOLDERING

ASSEMBLE AND SOLDER THIS KIT IN A WELL-VENTILATED AREA

TOOLS YOU NEED

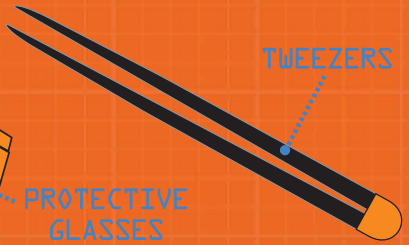


SOLDERING IRON

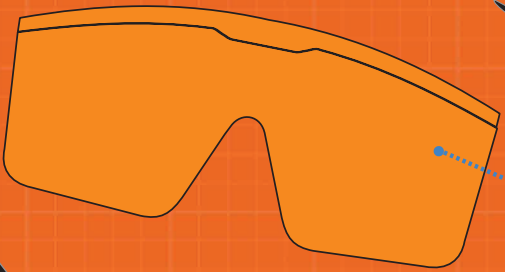


BATTERY

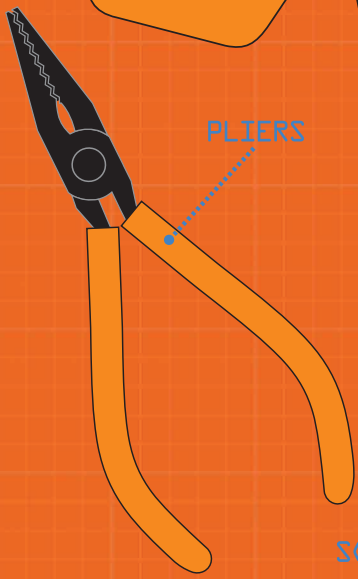
TWEEZERS



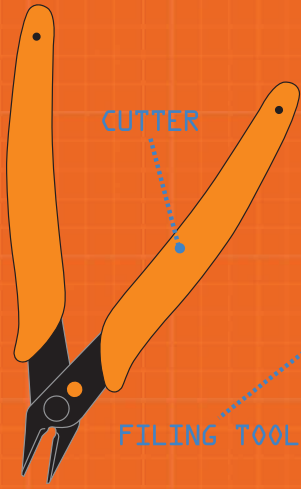
PROTECTIVE GLASSES



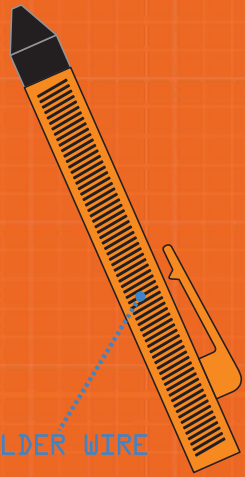
PLIERS



CUTTER



SOLDER WIRE

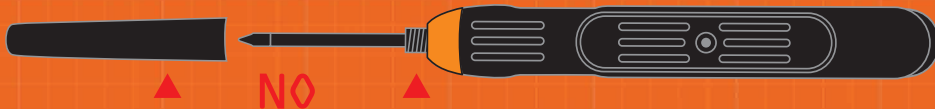
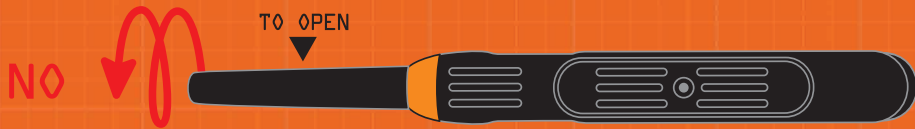


FILING TOOL



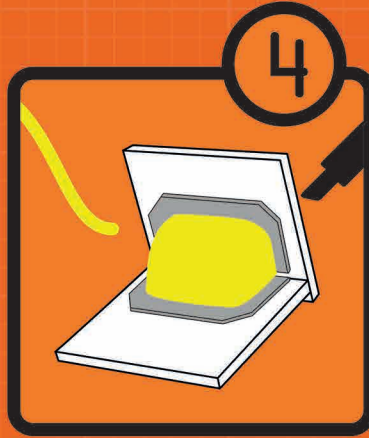
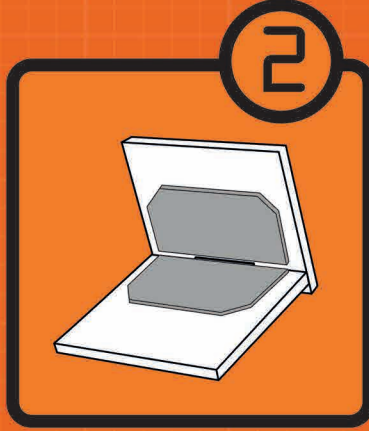
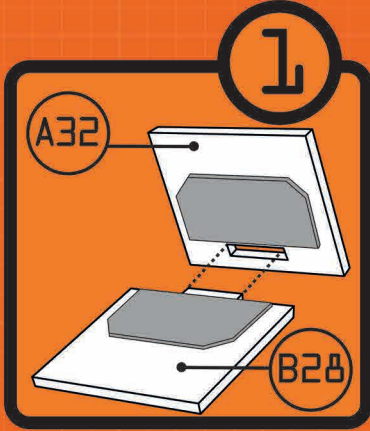
READ BEFORE FLIGHT

KEEP SAFE



KEEP SAFE

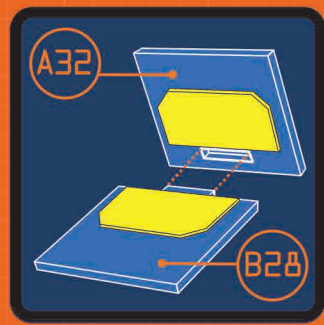




NOTE:
FOR BEST QUALITY JOINTS, HEAT BOTH METAL PARTS WITH THE SOLDERING IRON IN QUICK SUCCESSION. ADD SOLDER BETWEEN THE METAL PARTS, DO NOT USE SOLDER ON THE ENTIRE PAD.

HOW TO READ THE INSTRUCTIONS_

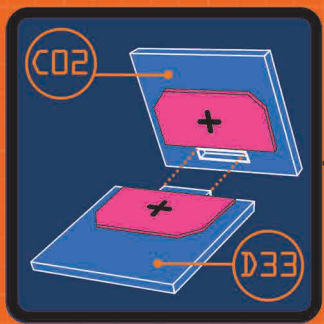
READ BEFORE FLIGHT



YELLOW PADS



SOLDER YELLOW ELEMENTS TOGETHER



PINK PADS



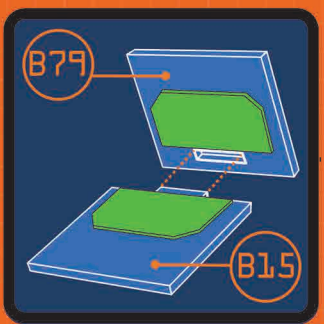
SOLDER PINK ELEMENTS MARKED WITH + TOGETHER



OPTIONAL SOLDERING YOU CAN SOLDER THE LED PINS FOR EXTRA GRIP



SOLDER + WITH + AND - WITH -



GREEN PADS



SOLDER PINK ELEMENTS MARKED WITH - TOGETHER



OPTIONAL SOLDERING YOU CAN SOLDER THE LED PINS FOR EXTRA GRIP

KEEP SAFE ▶

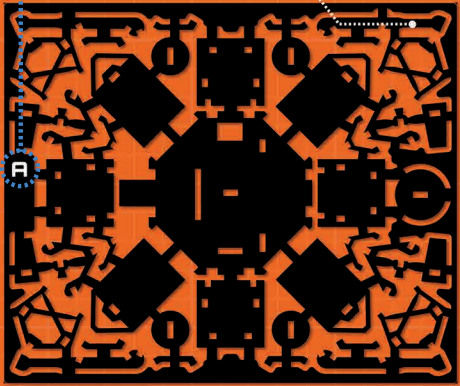
EACH PART IS MARKED WITH A LETTER AND NUMBER

THIS CODE INDICATES THE PART'S LOCATION

THE LETTER CORRESPONDS TO THE BOARD. THE NUMBER SHOWS ITS LOCATION ON SAID BOARD

A32

B28

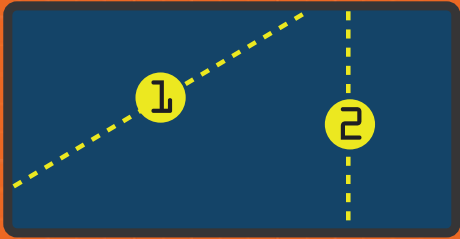


BOARD A



BOARD B

READ BEFORE FLIGHT



PROCEED STEP BY STEP FOLLOWING AN ASCENDING ORDER

1 ▶ 2 ▶ 3 ▶ ...

KEEP SAFE ▶

KEEP SAFE ◀

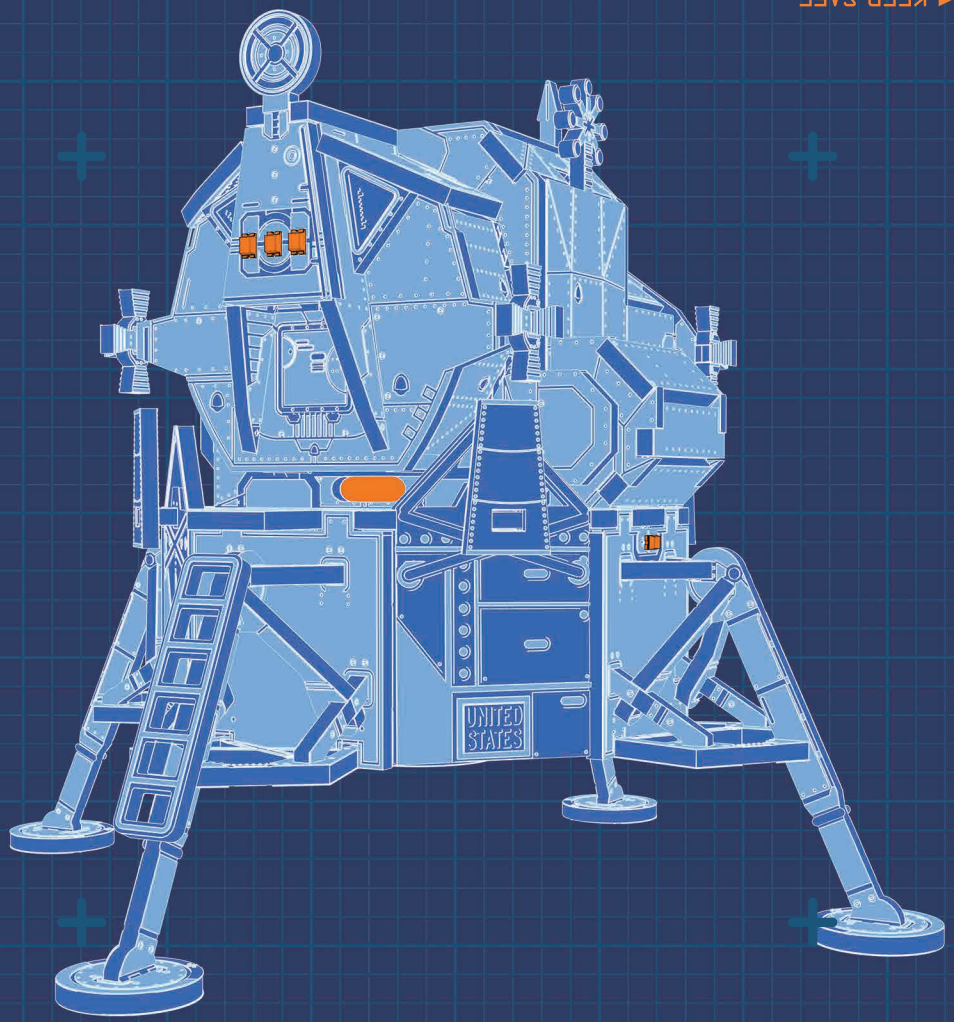


PROJECT APOLLO
LUNAR MODULE
EAGLE



◀ KEEP SAFE

READ BEFORE FLIGHT





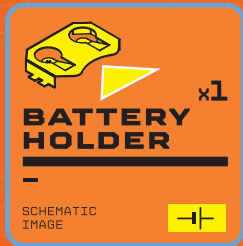
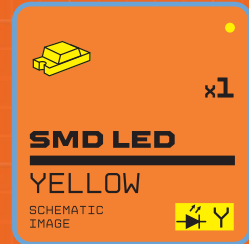
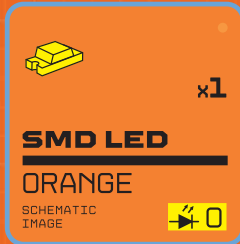
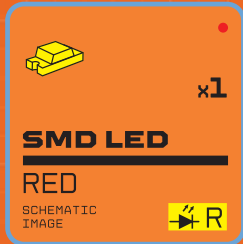
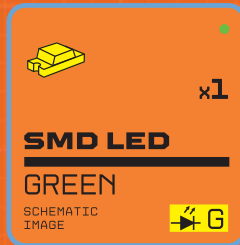
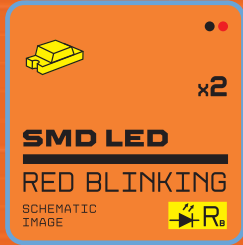
**MORE TIPS AND DETAILS
IN OUR ONLINE
INSTRUCTION VIDEO**



WWW.GEEKCLUB.COM



COMPONENTS AND OTHER ELEMENTS_

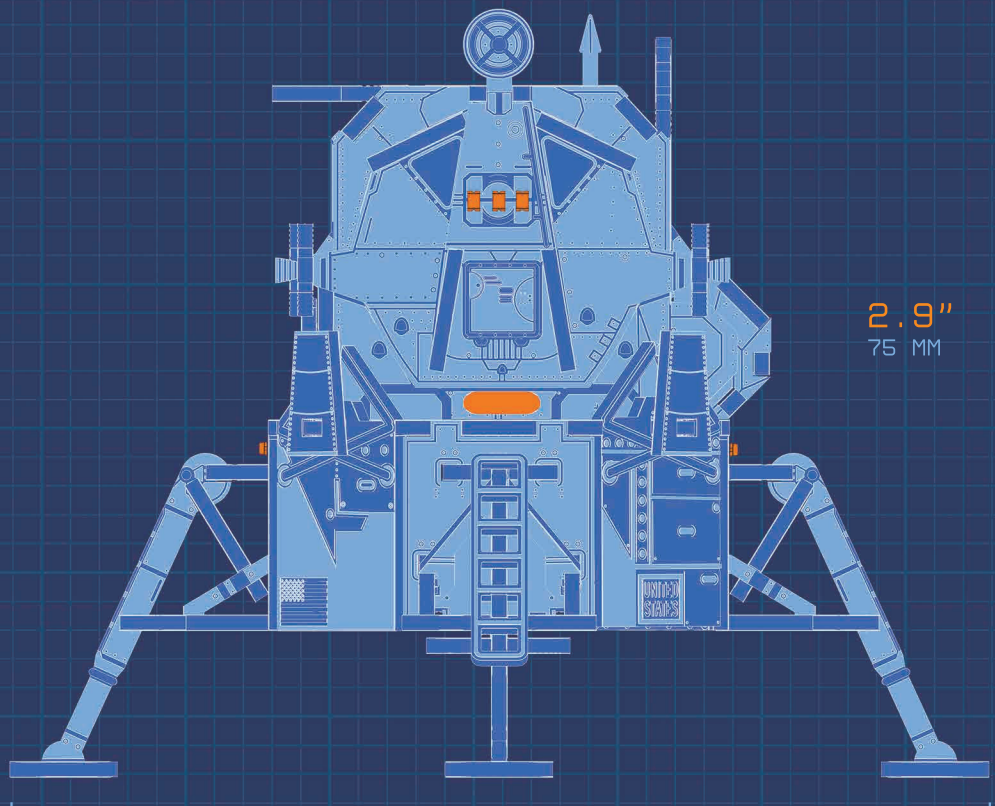


NOTE:

1. DON'T WORRY IF YOU LOSE A FEW LEDES, WE'VE GOT YOU COVERED - THERE ARE EXTRA DIODES IN THE KIT
2. MAKE SURE TO FOLLOW THE POLARITY ⊕ (PINK) AND ⊖ (GREEN) WHEN INSTALLING COMPONENTS. OTHERWISE, YOUR MODEL WILL NOT WORK.

◀ KEEP SAFE

FRONT



2.9"
75 MM

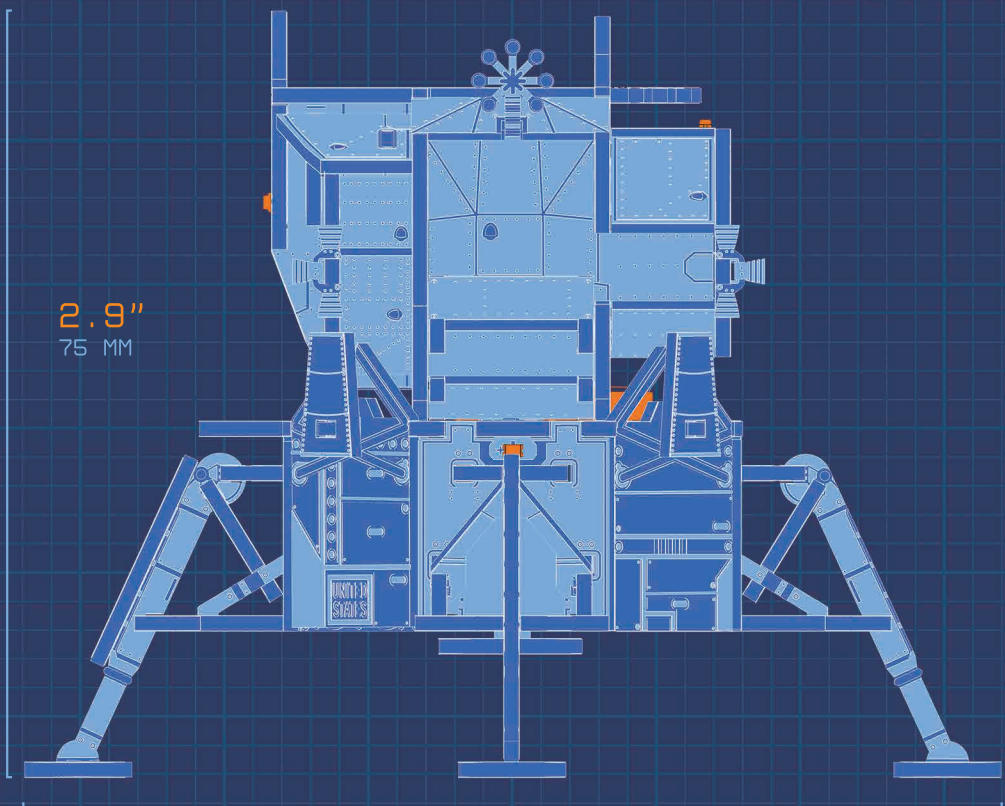
3.9"
96 MM

READ BEFORE FLIGHT

◀ KEEP SAFE

RIGHT

READ BEFORE FLIGHT



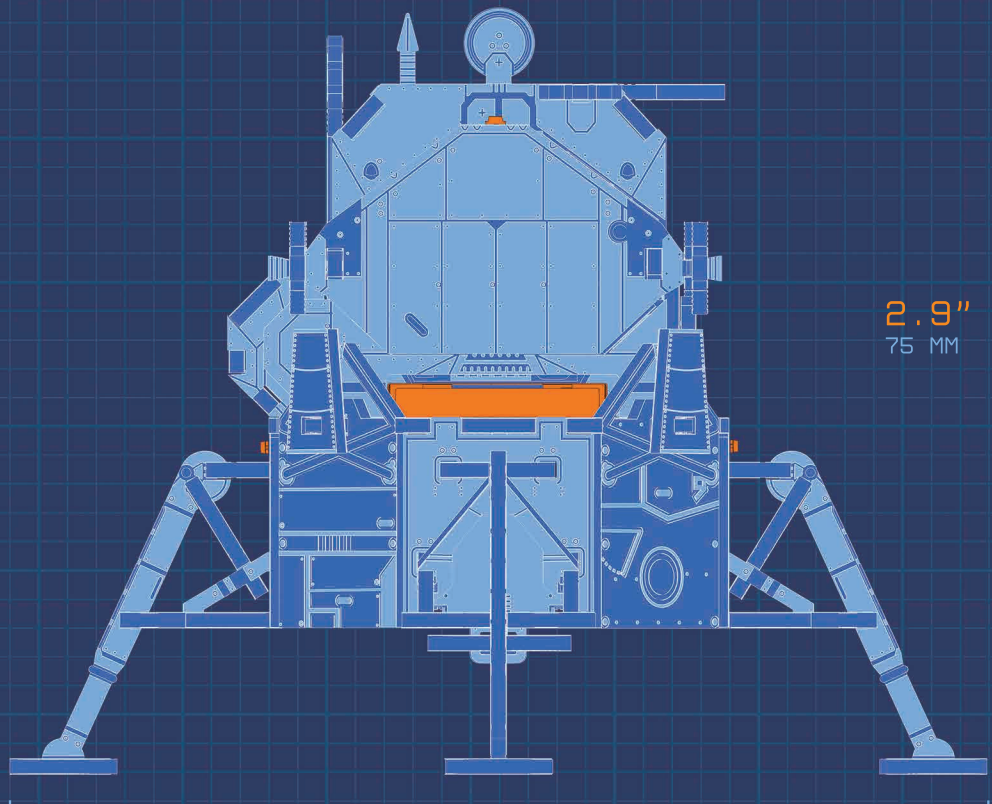
2.9"
75 MM

3.9"
99 MM



KEEP SAFE

BACK



2.9"
75 MM

3.9"
96 MM

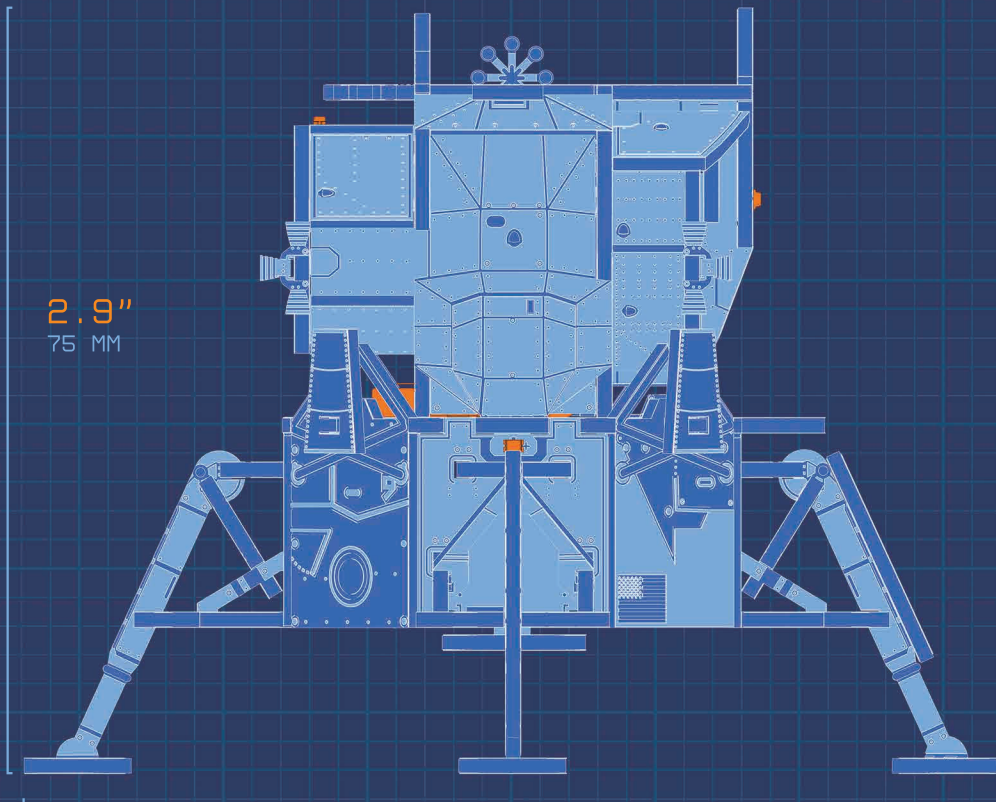
READ BEFORE FLIGHT

KEEP SAFE

KEEP SAFE ▶

LEFT

2.9"
75 MM

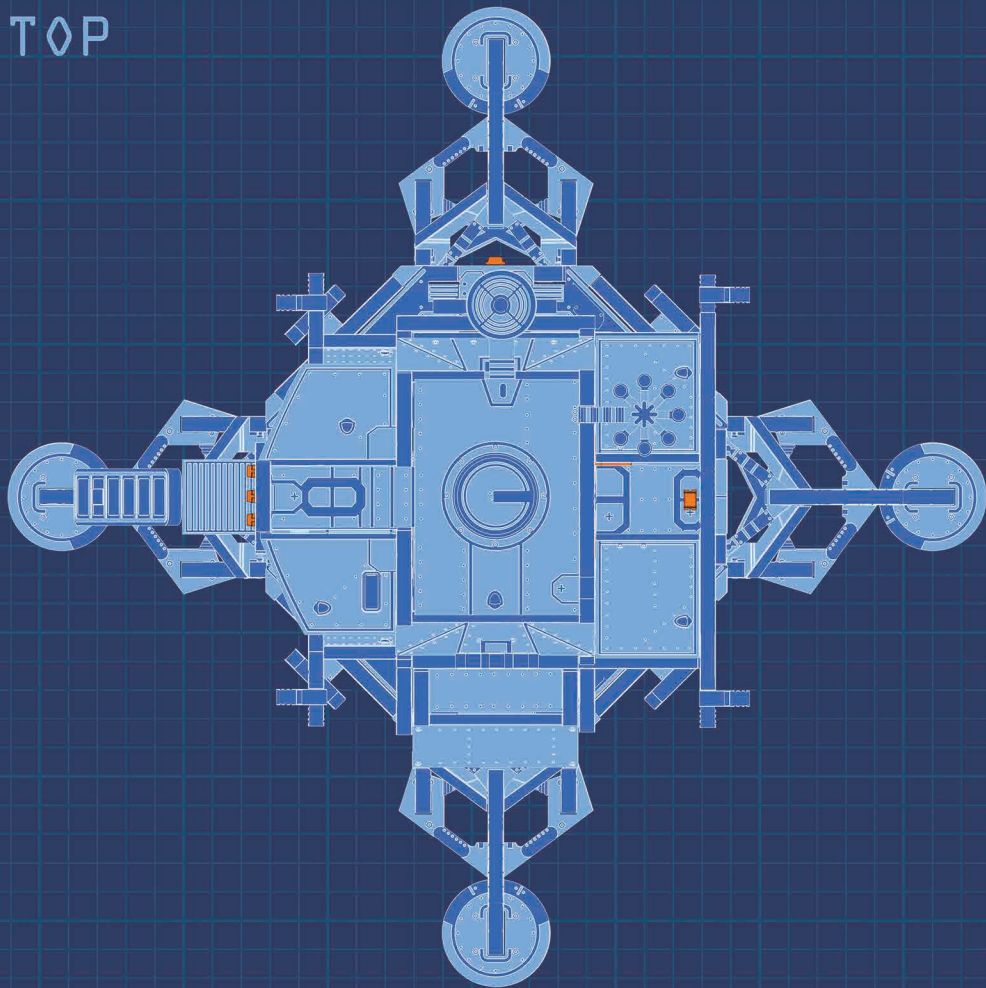


3.9"
99 MM

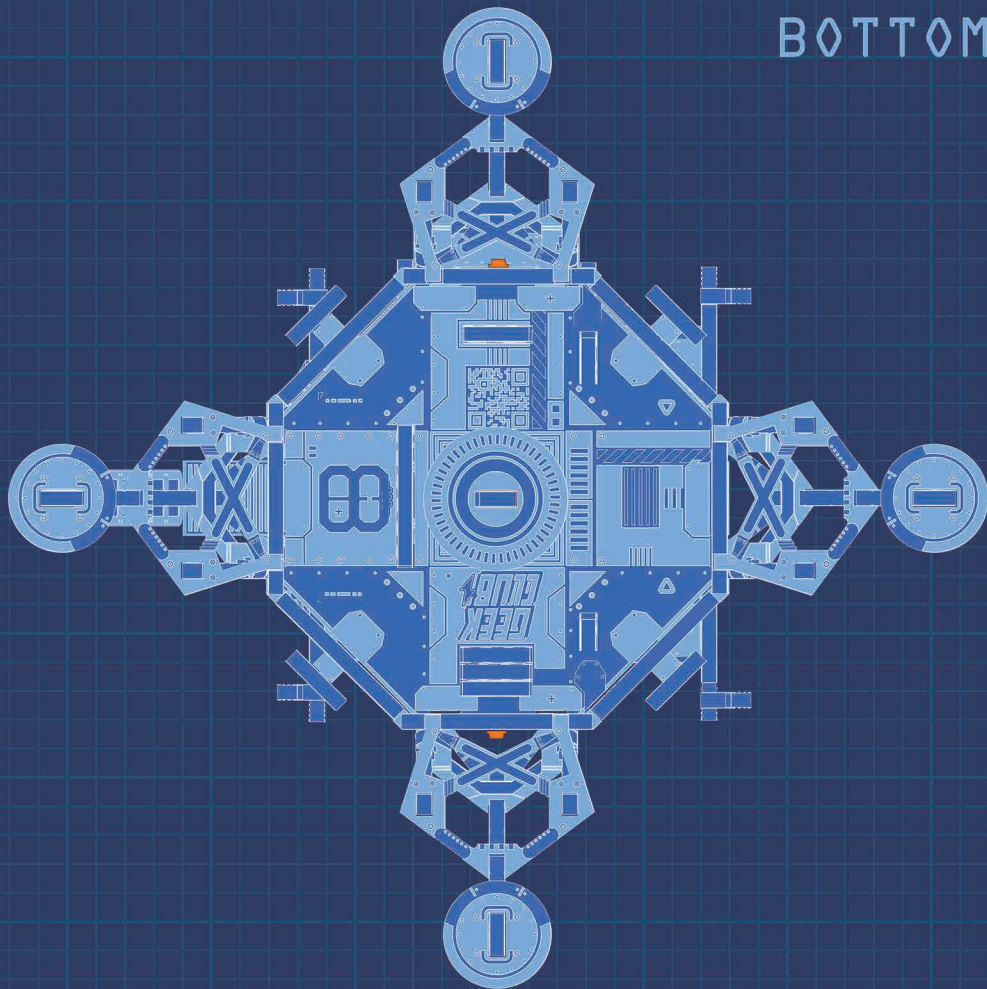
READ BEFORE FLIGHT

KEEP SAFE ▶

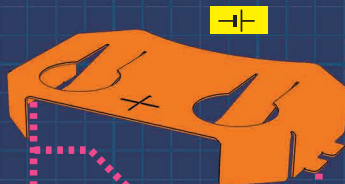
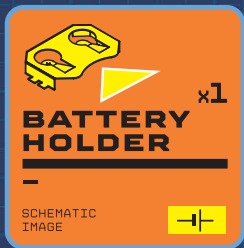
TOP



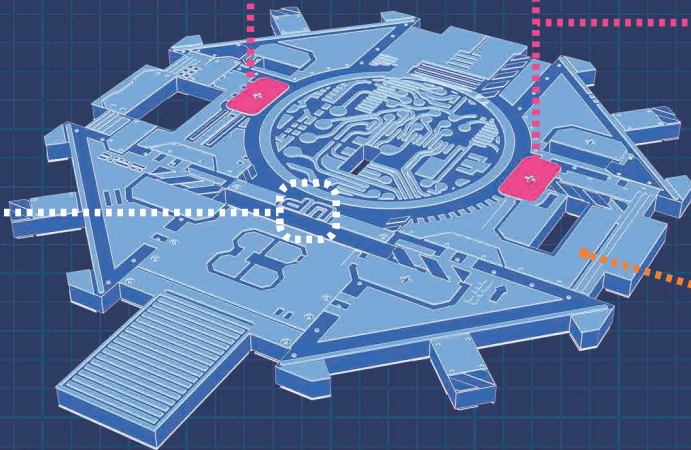
BOTTOM



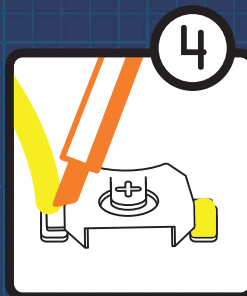
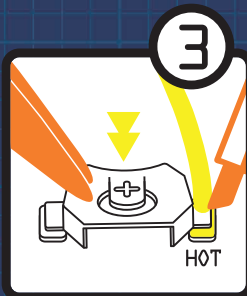
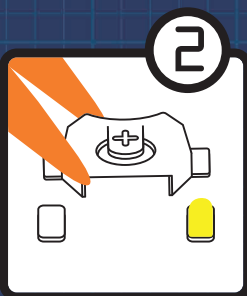
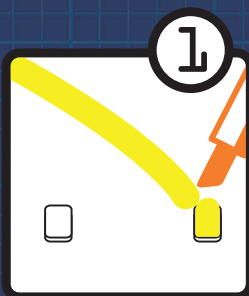
READ BEFORE FLIGHT

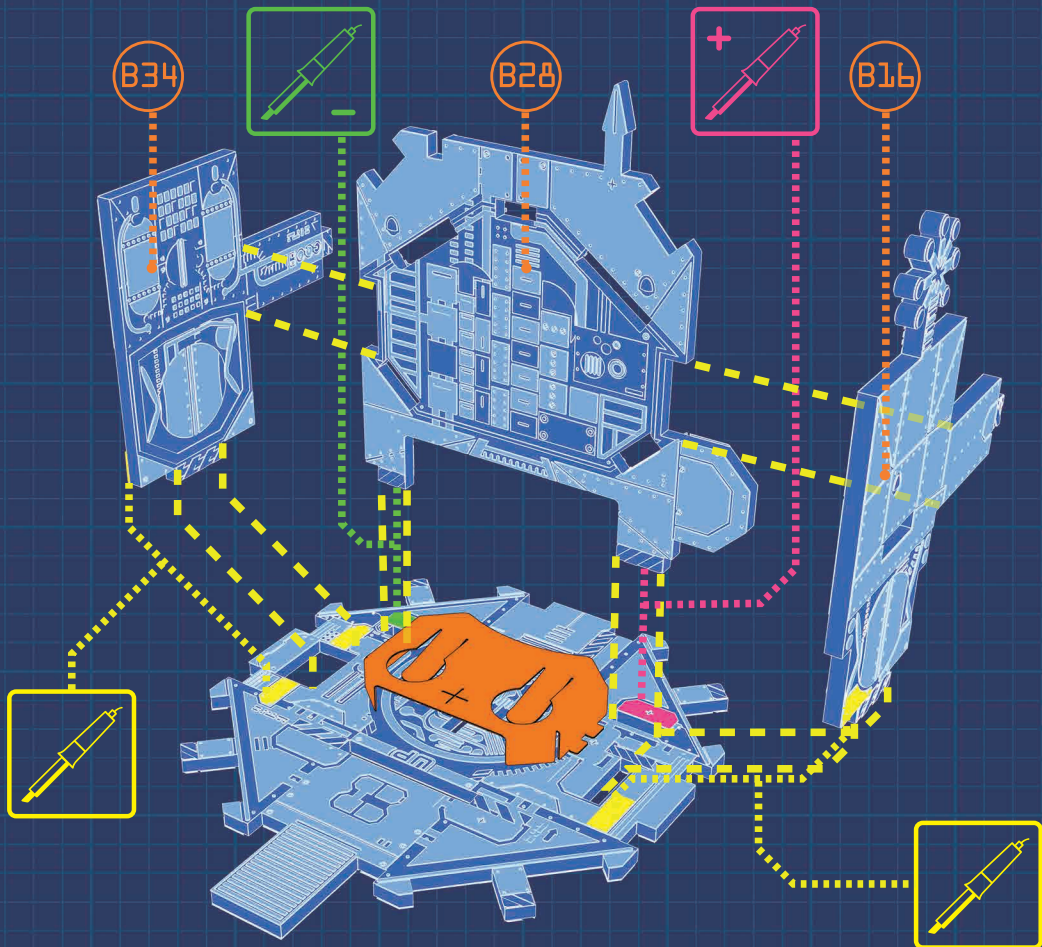


UP



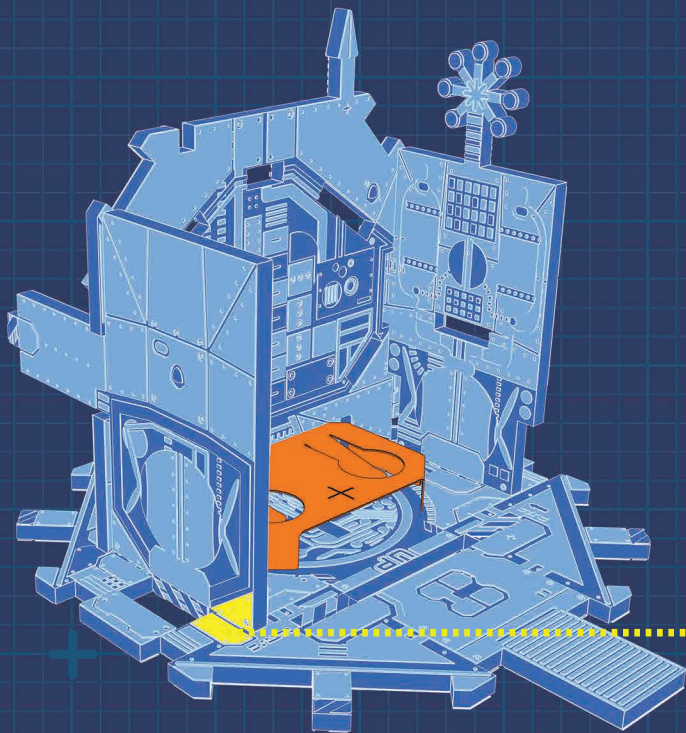
A1.2





MORE INFO NEXT PAGE



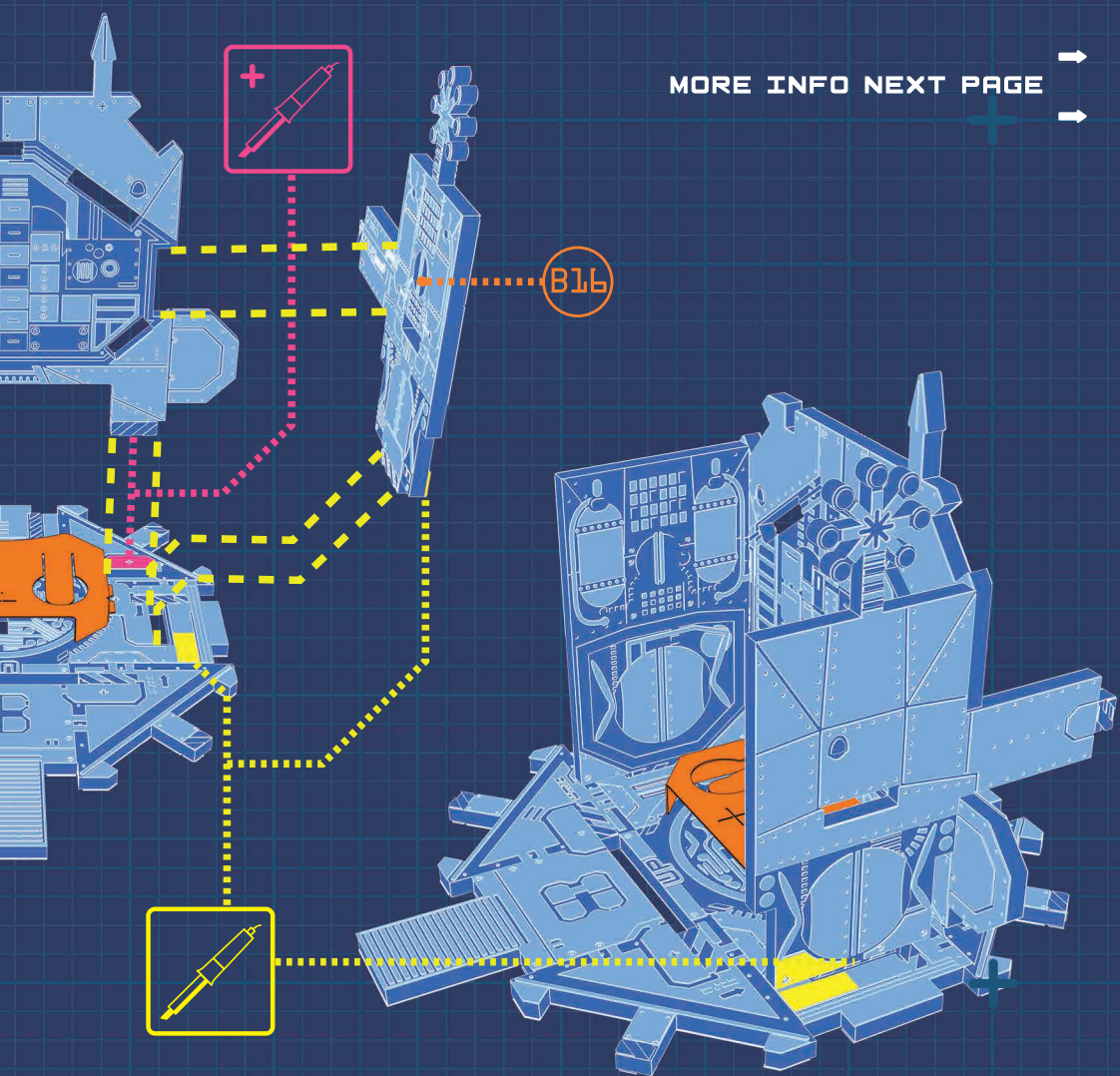


B28

B34



MORE INFO NEXT PAGE



B16



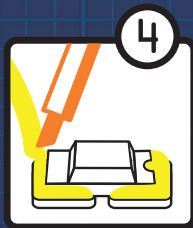
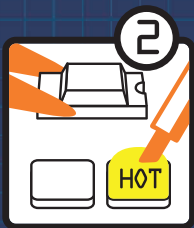
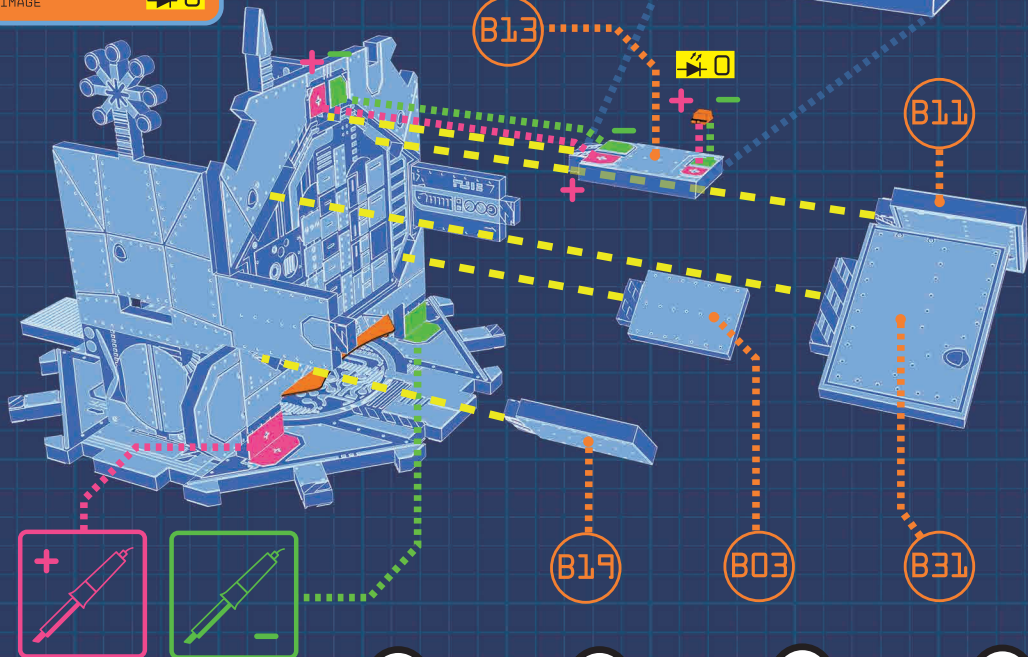


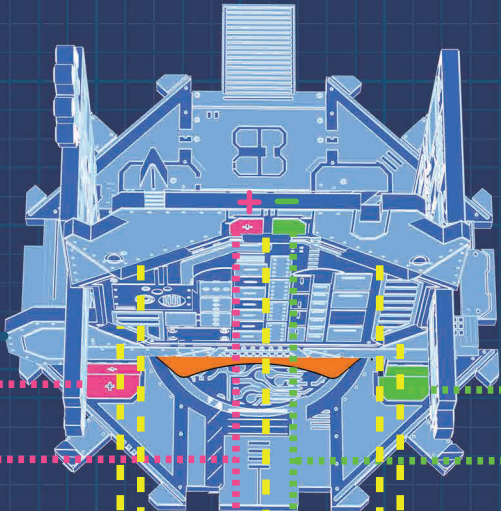
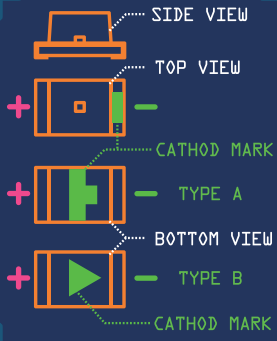
x1

SMD LED

ORANGE

SCHEMATIC
IMAGE





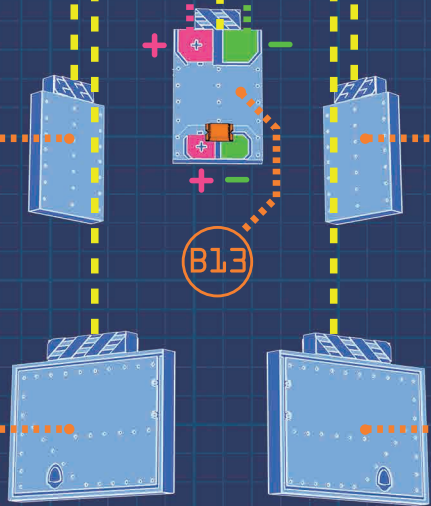
B19

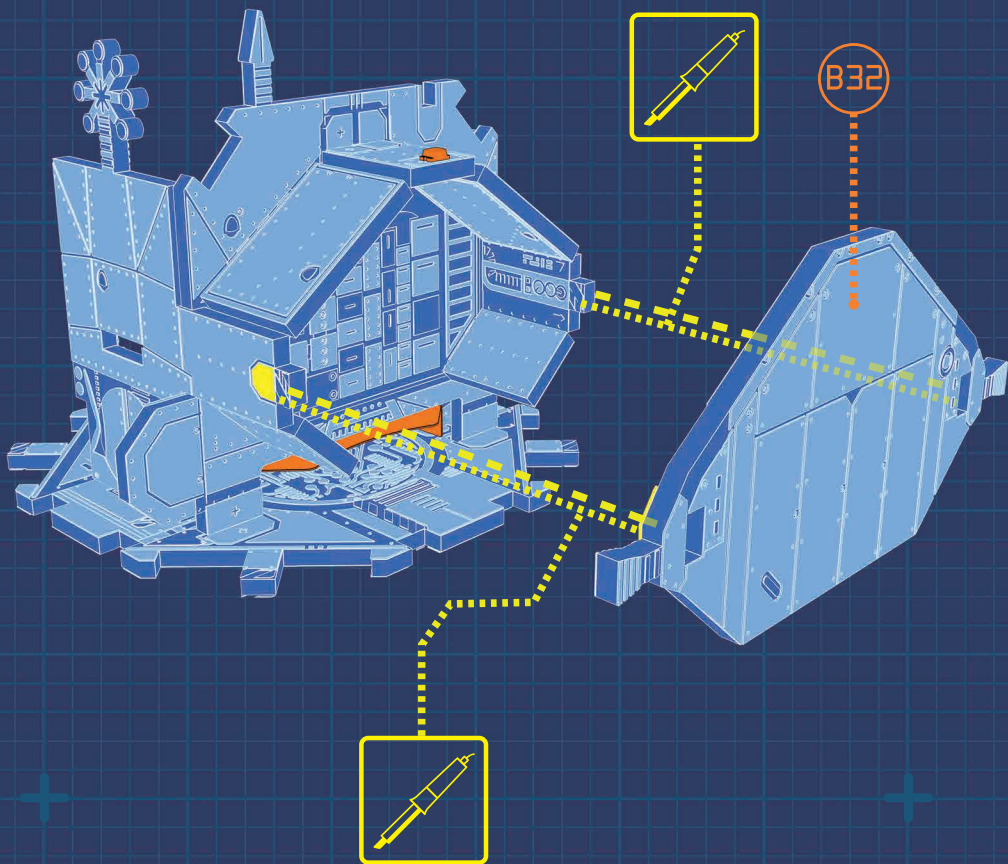
B03

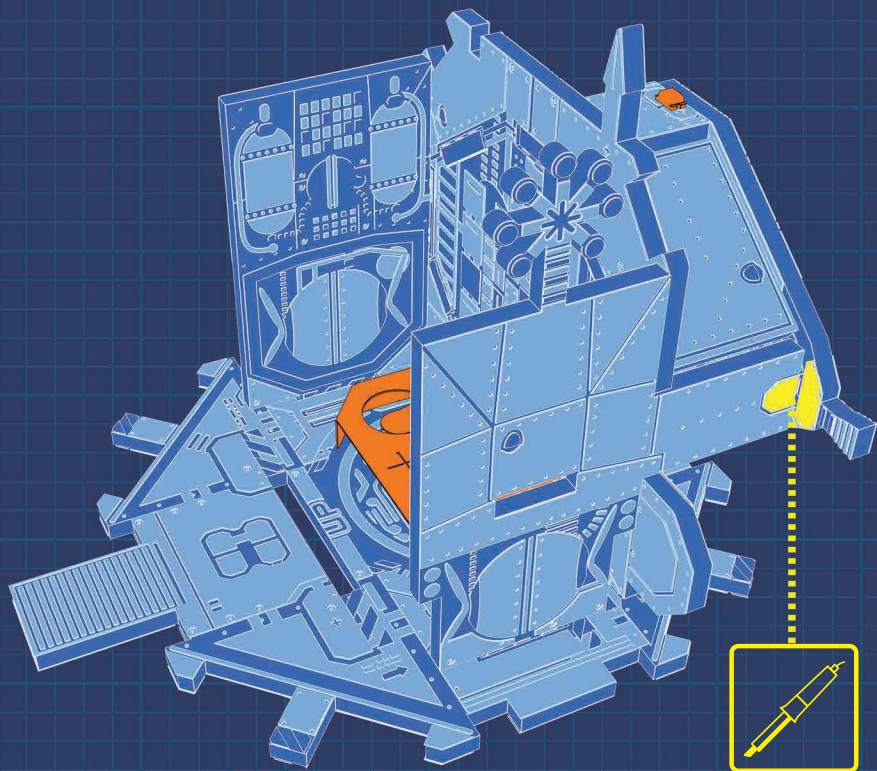
B13

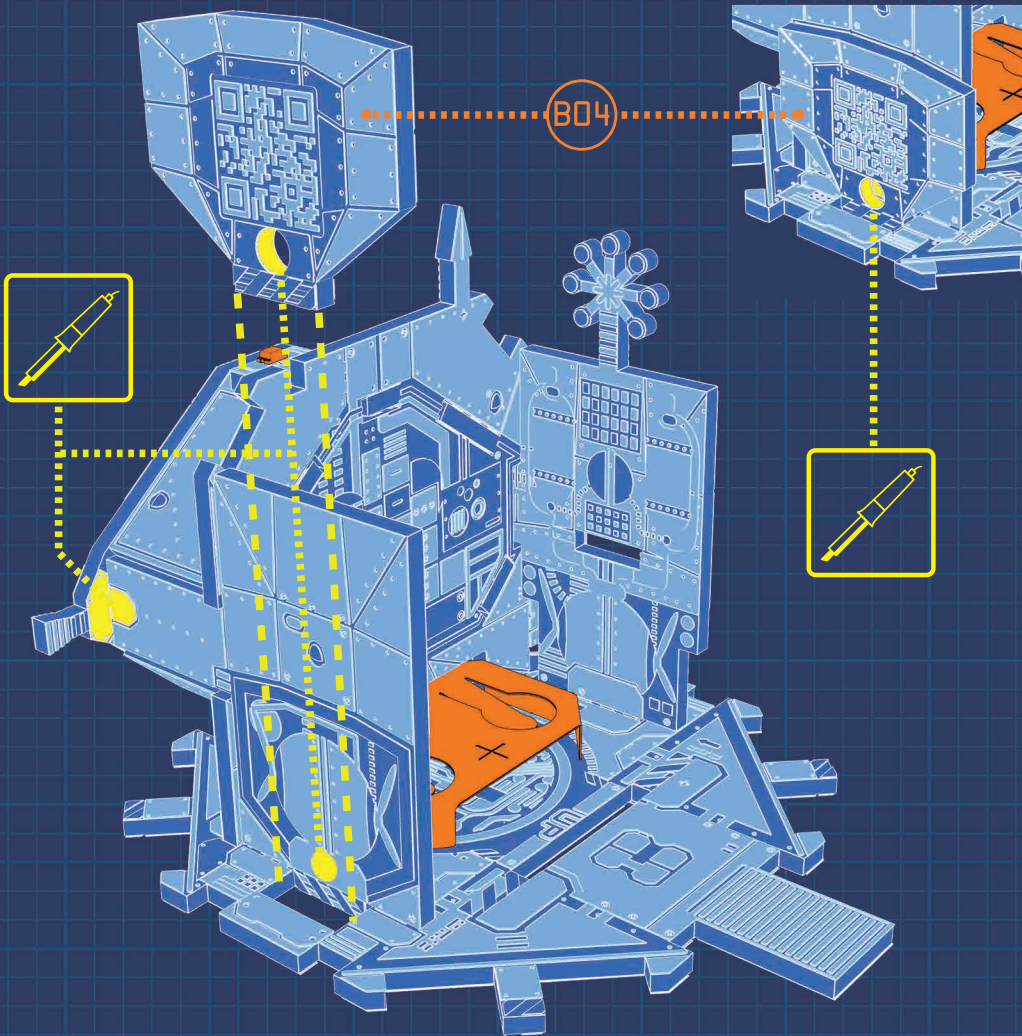
B31

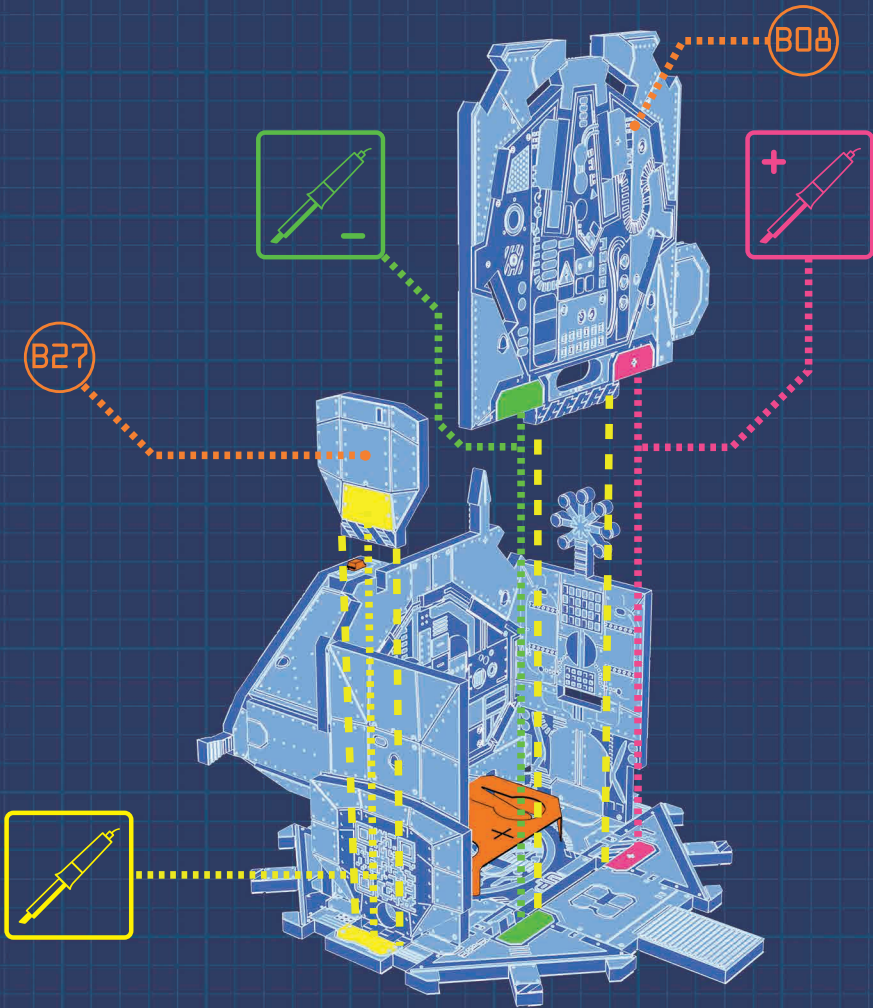
B11

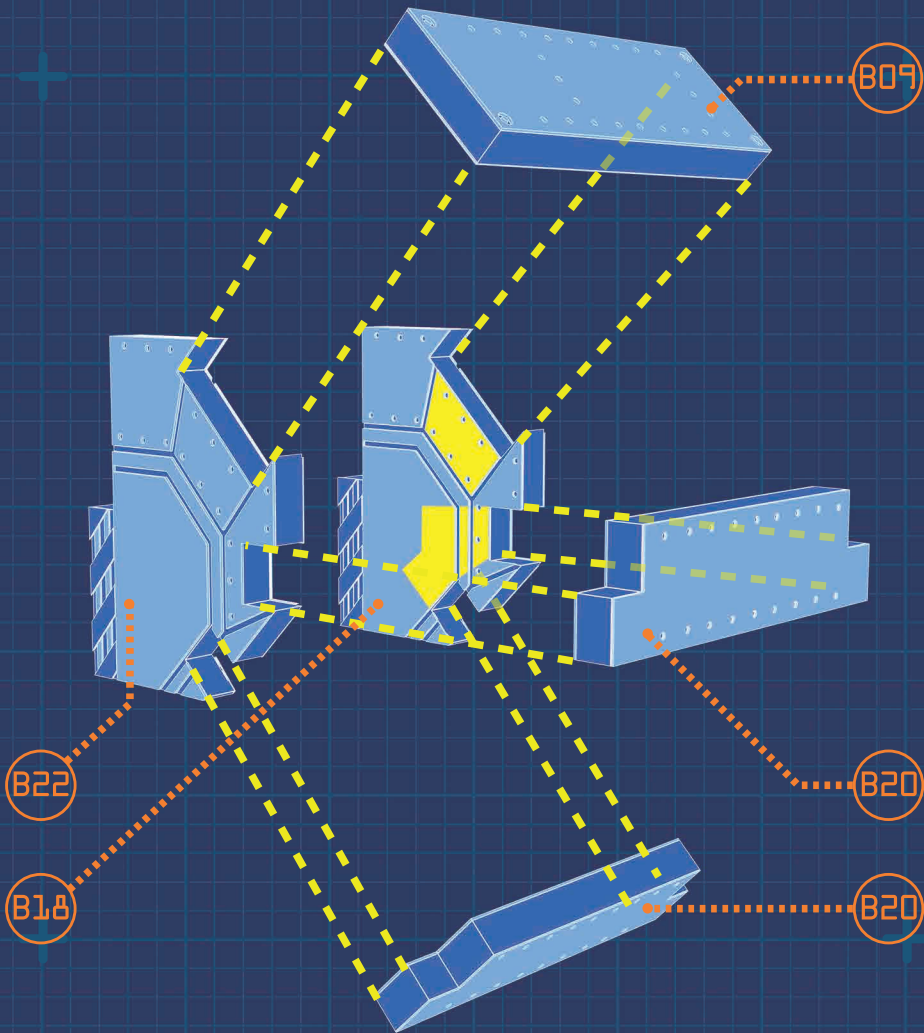


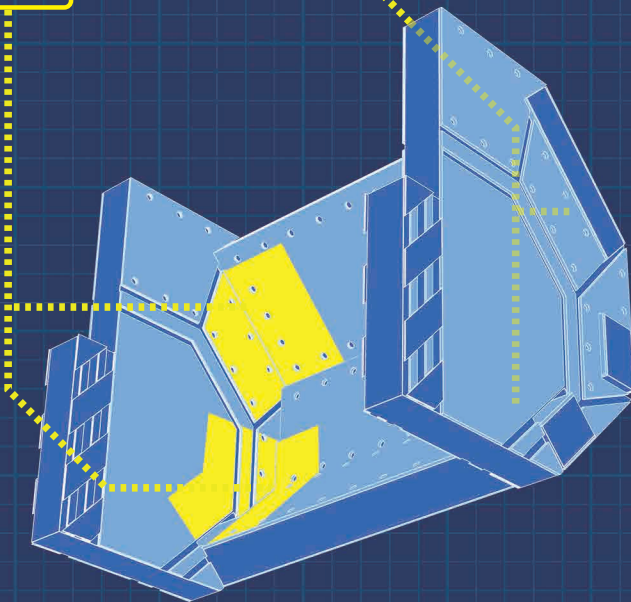






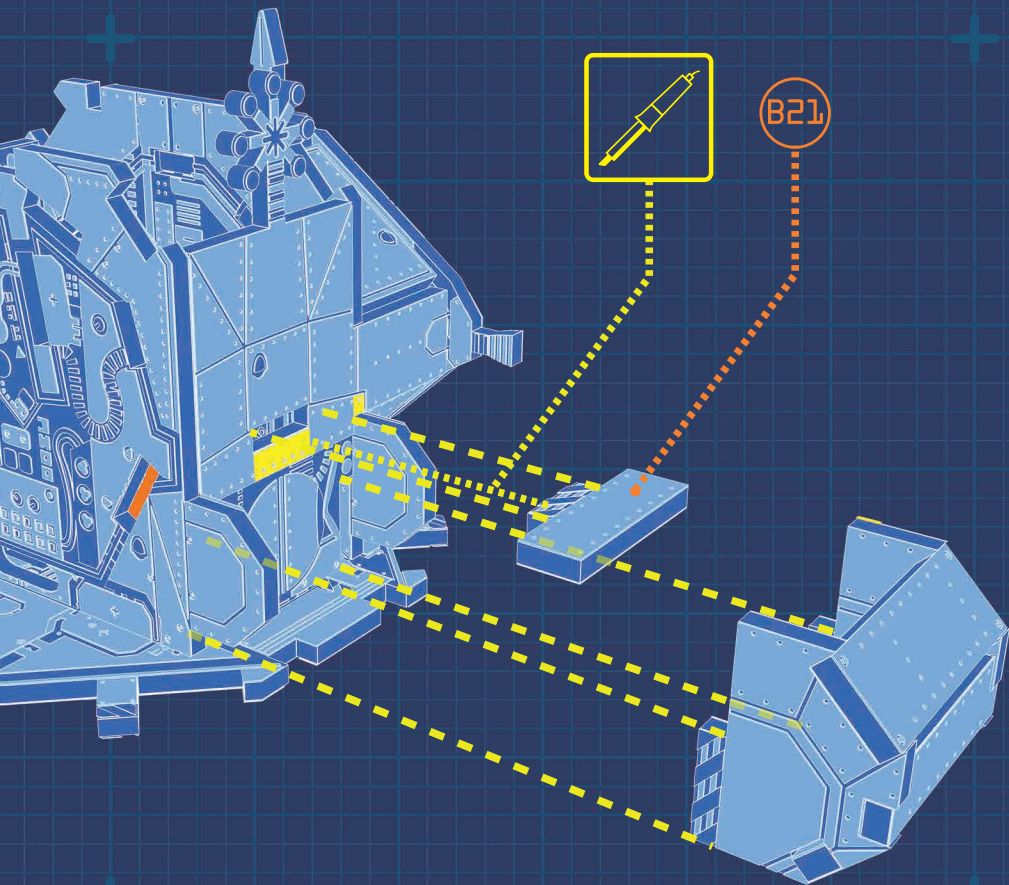


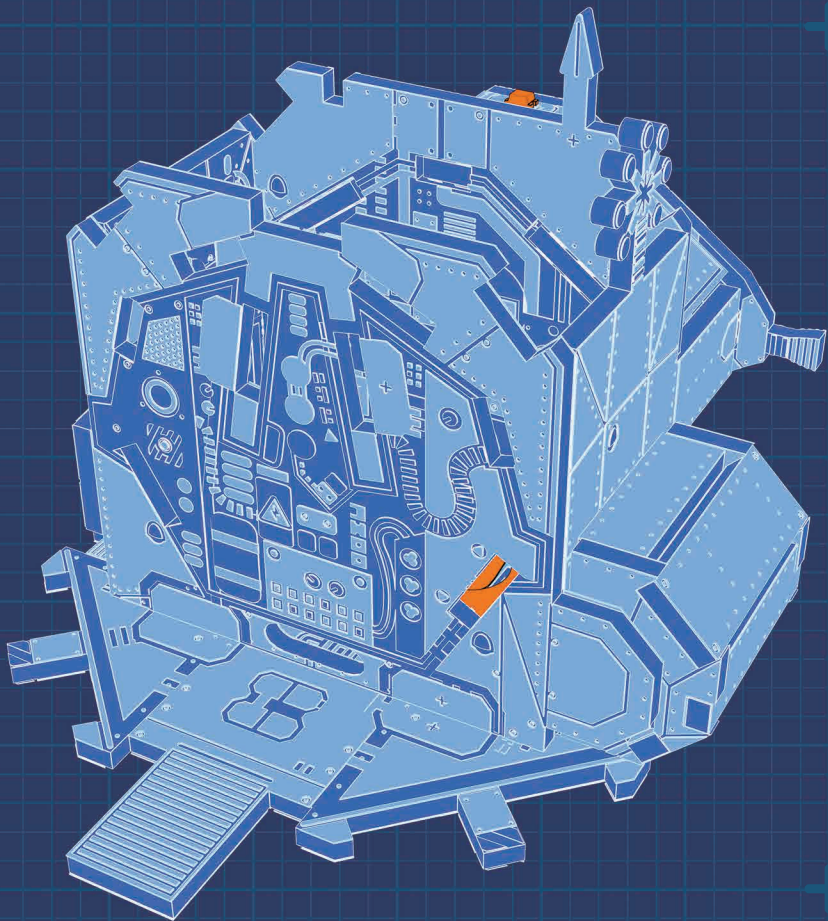




MORE INFO NEXT PAGE



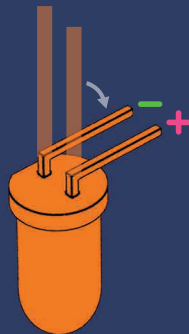
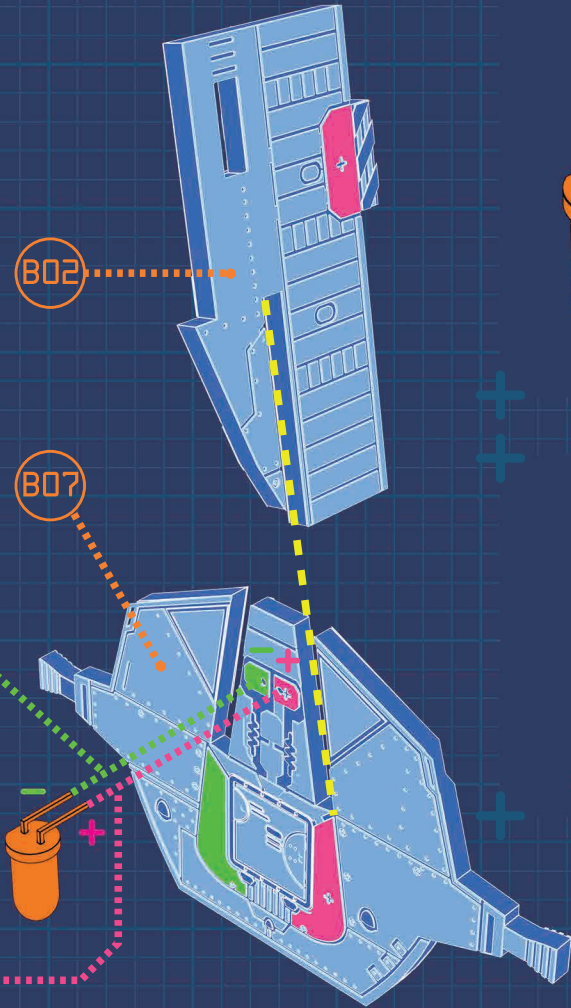






B02

B07





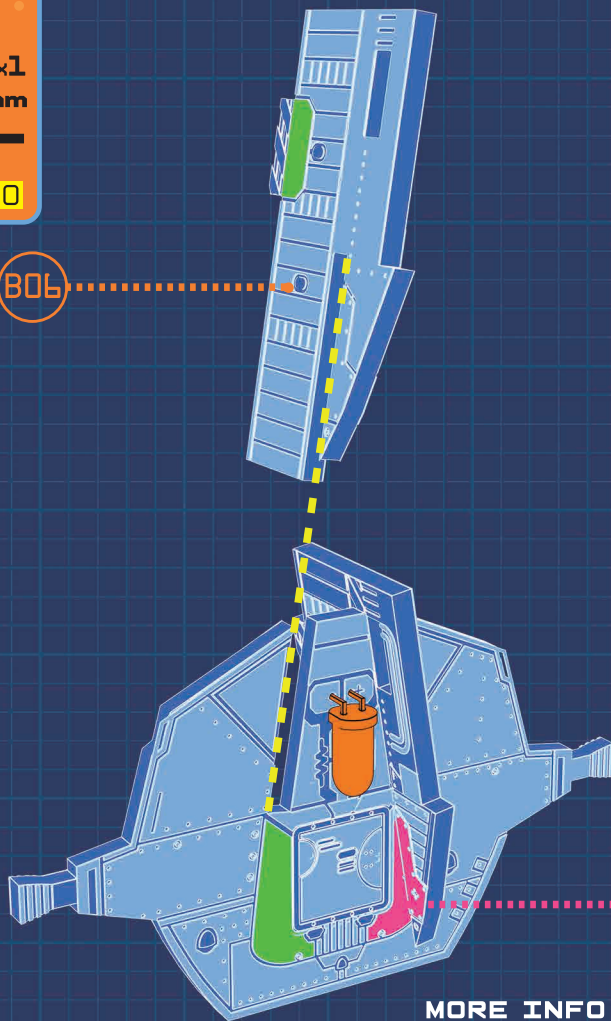
x1
LED TH 3mm
Through-Hole

ORANGE

SCHEMATIC
IMAGE

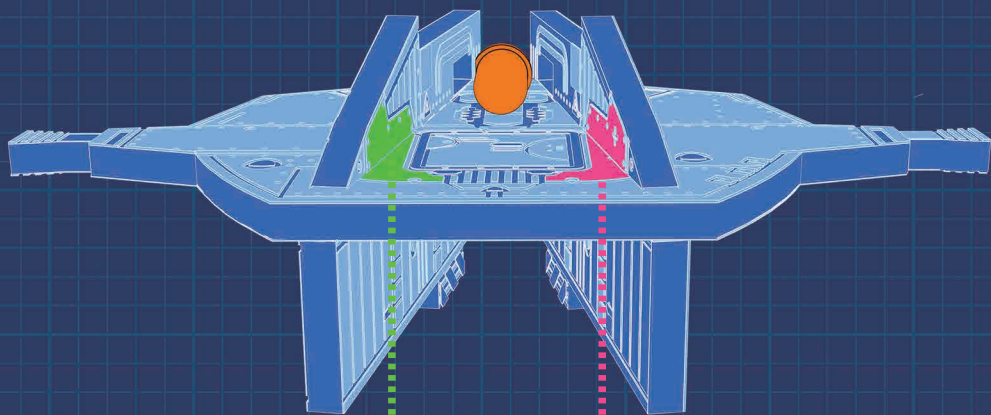


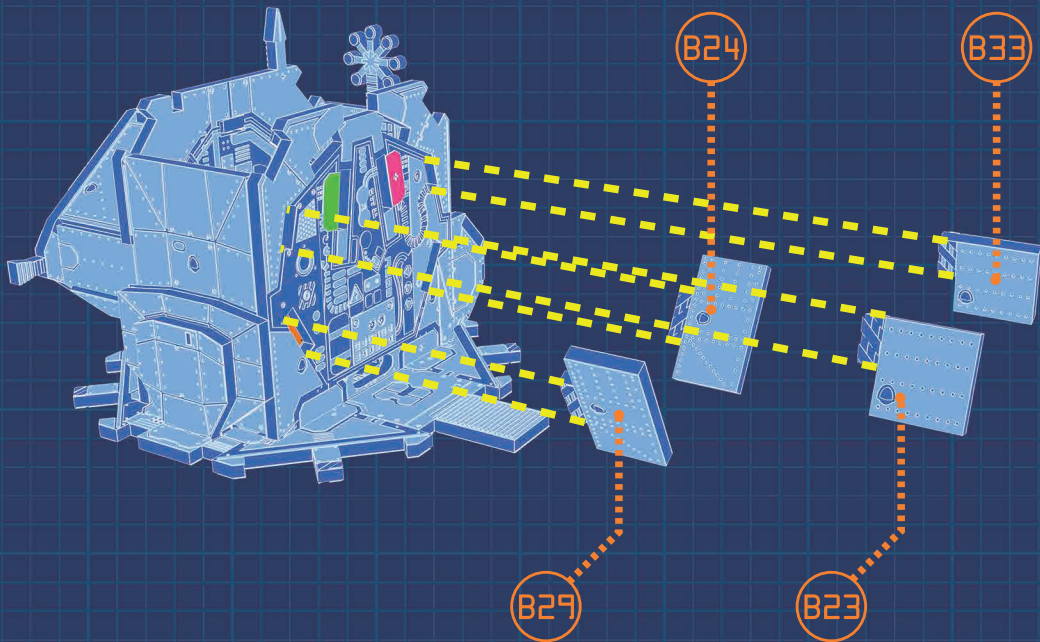
BOB



MORE INFO NEXT PAGE

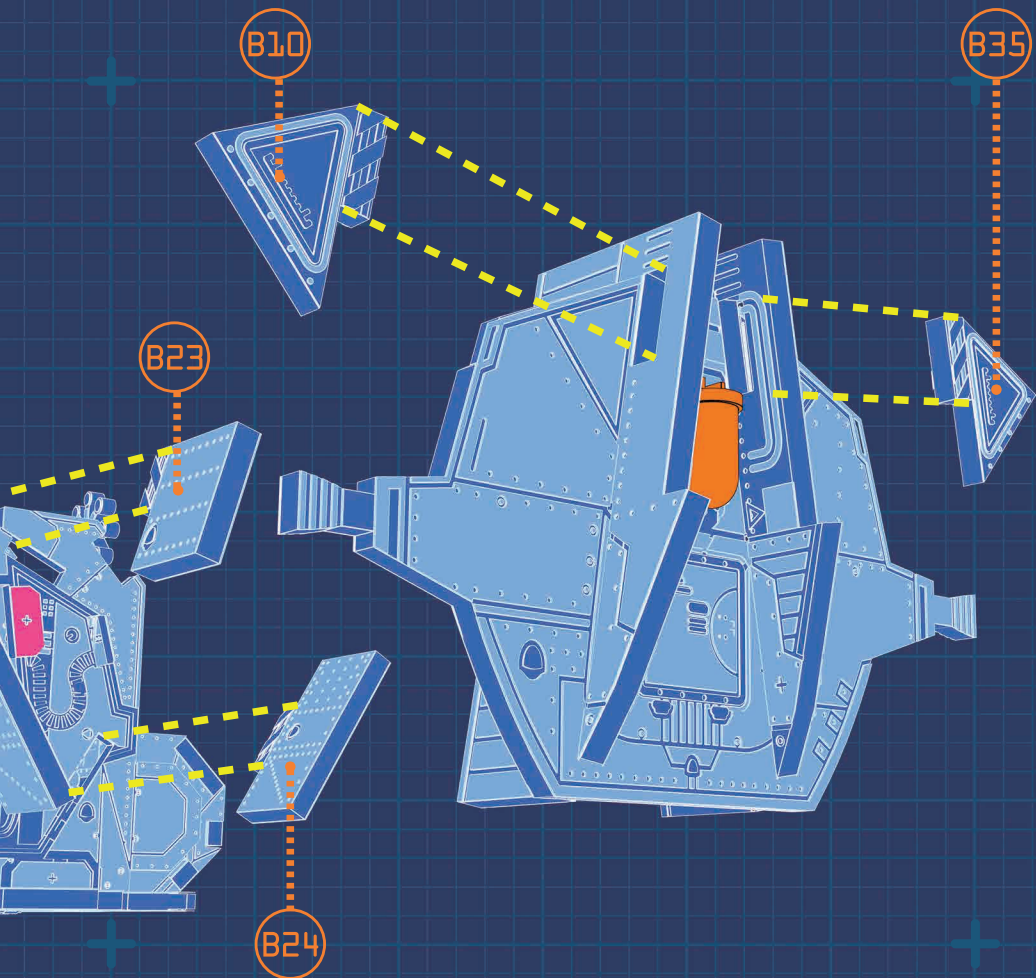


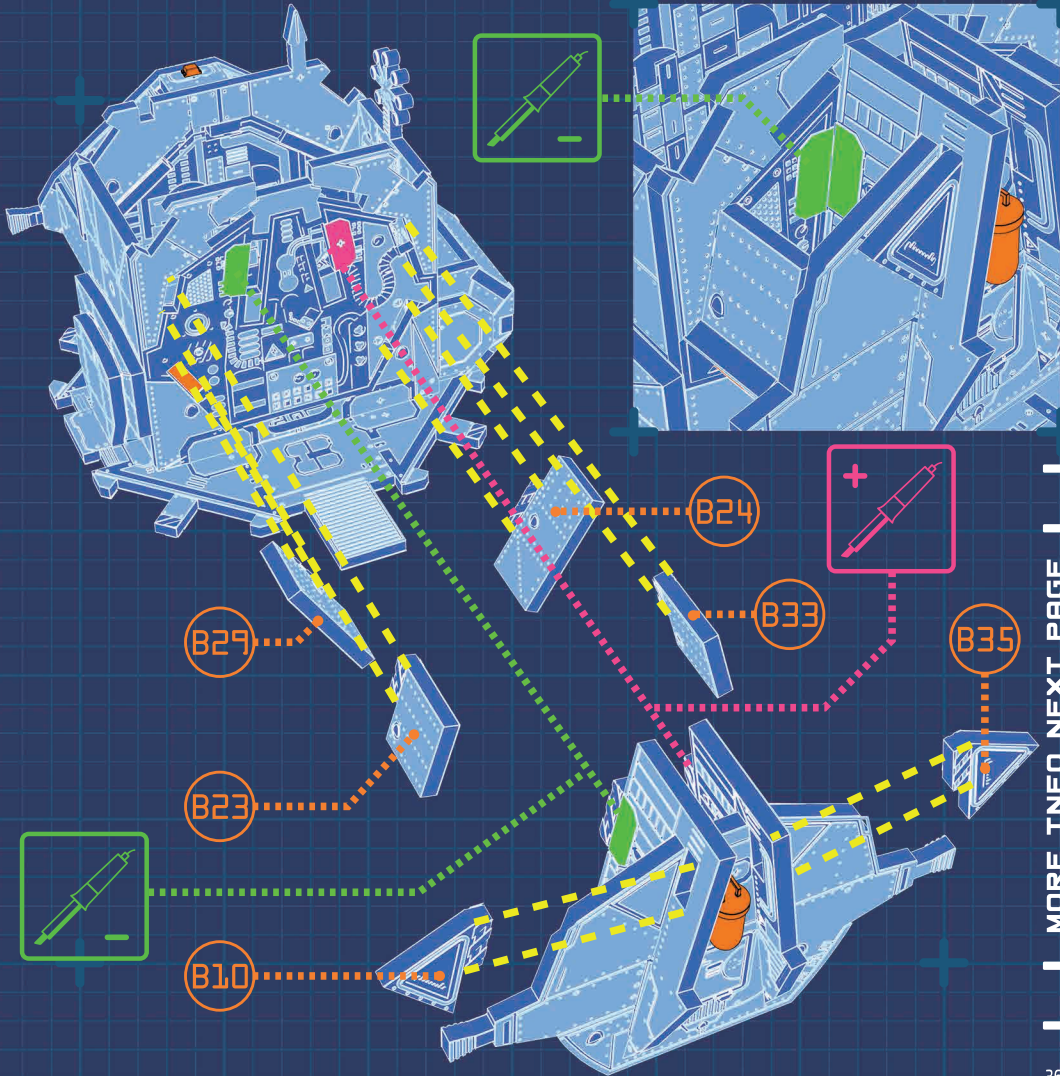


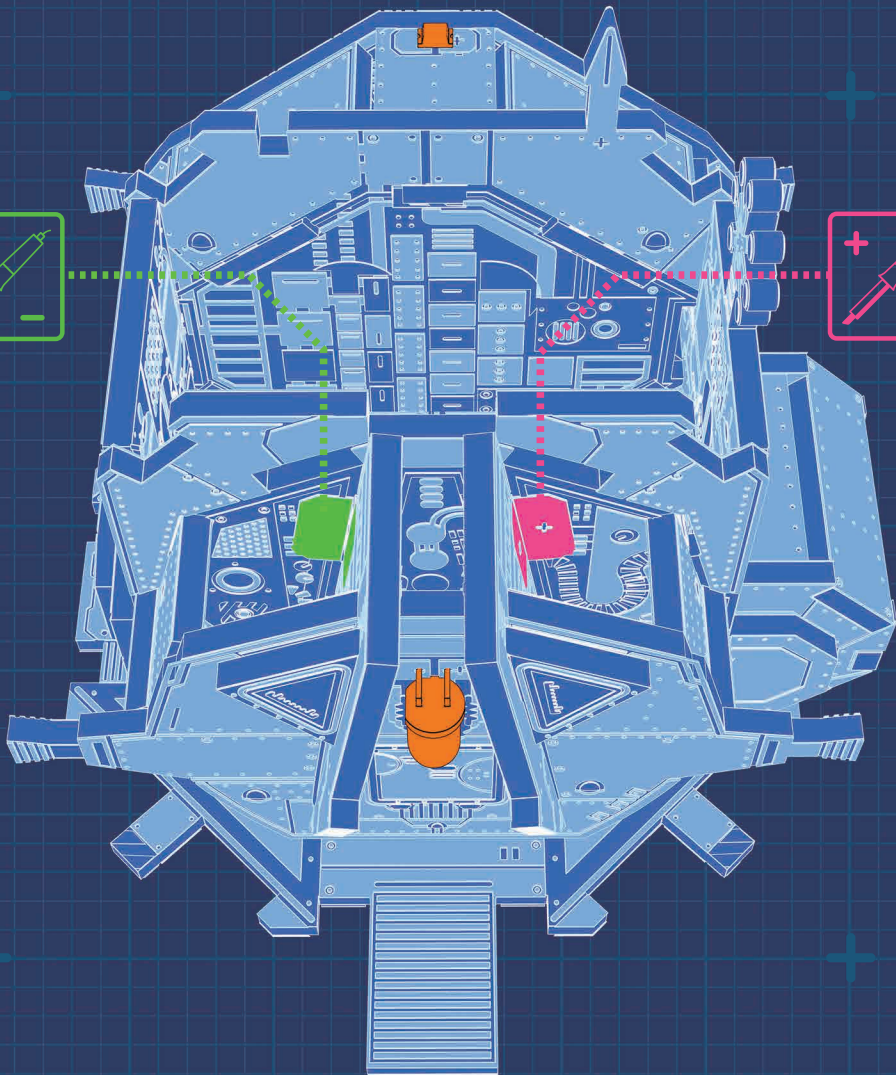


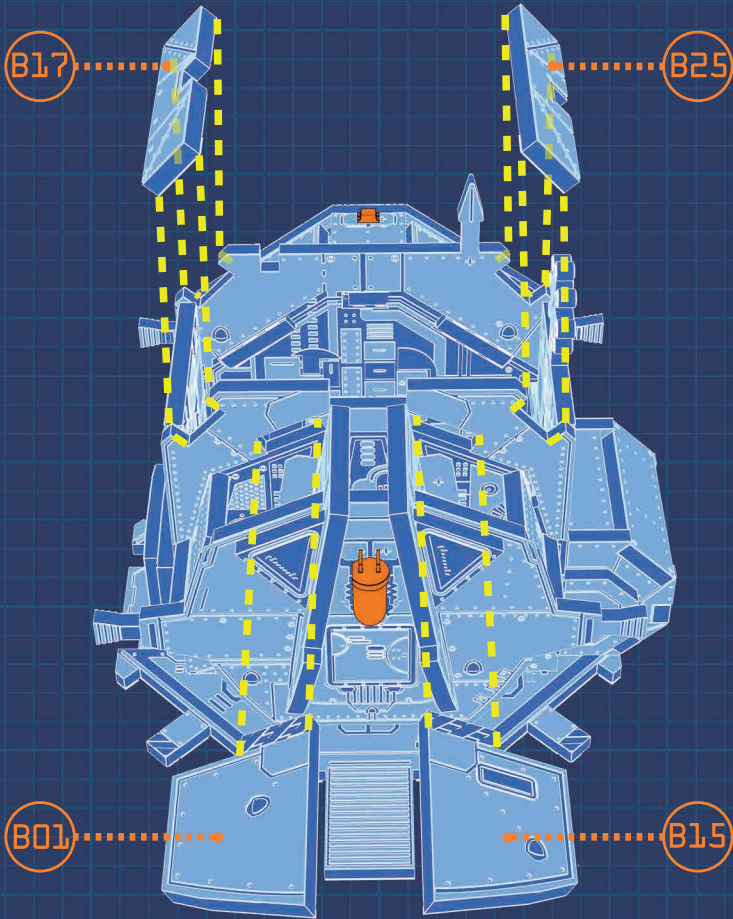
MORE INFO NEXT PAGE





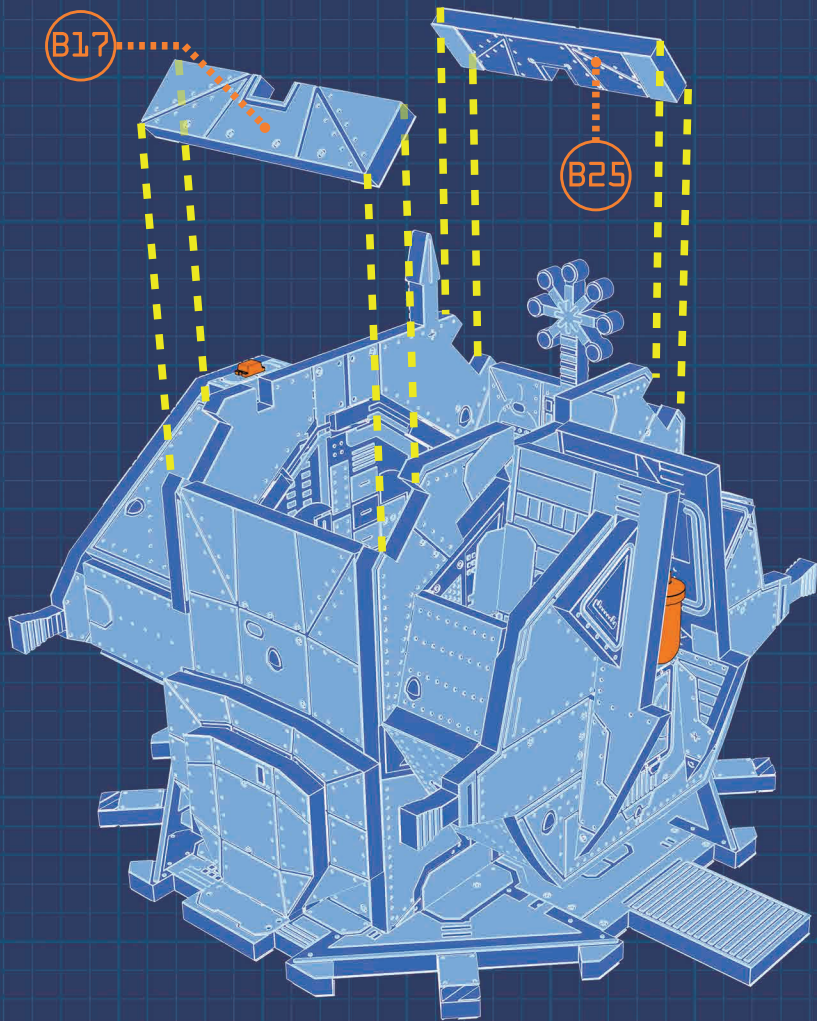




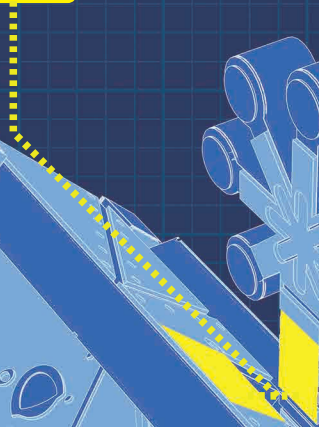


MORE INFO NEXT PAGE

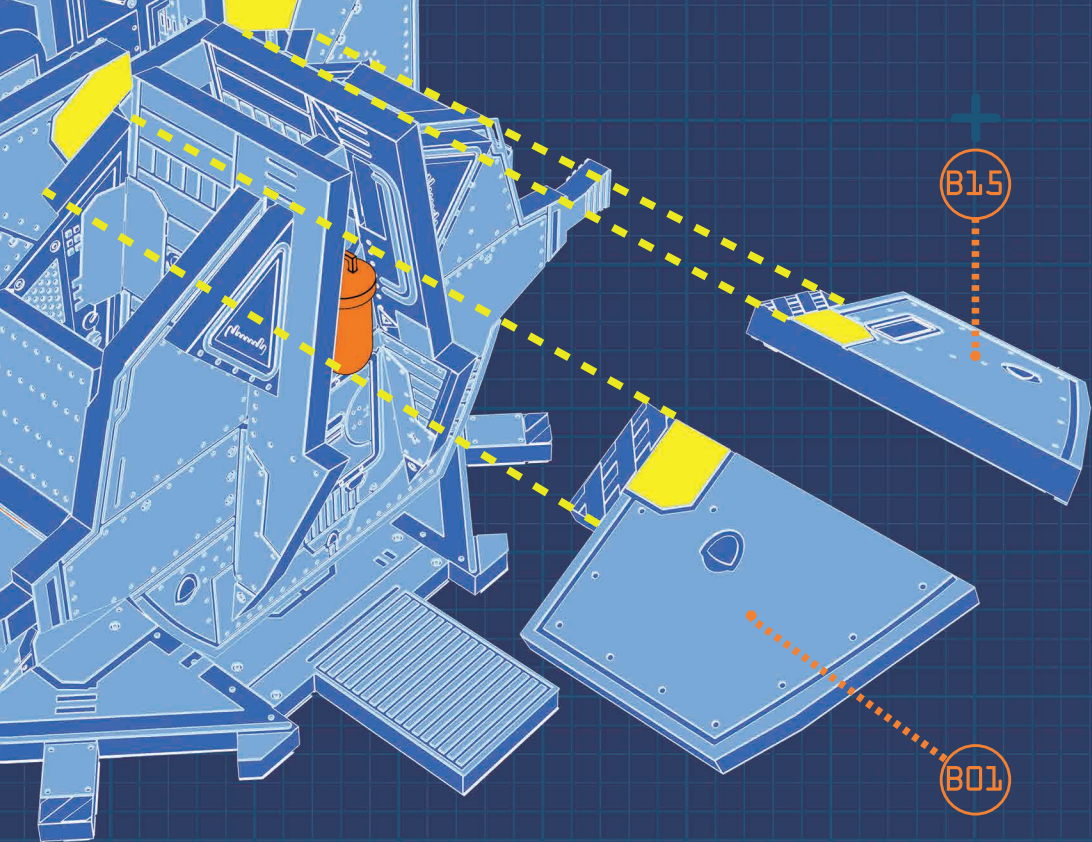


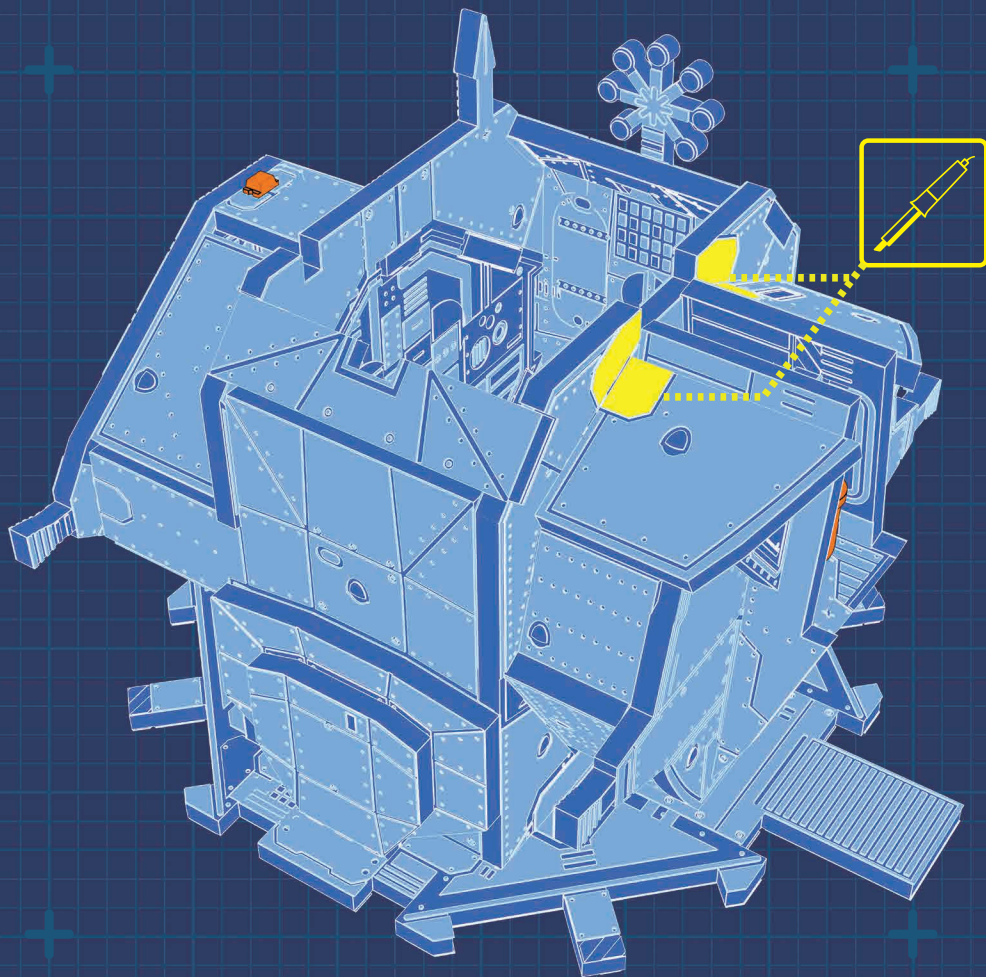


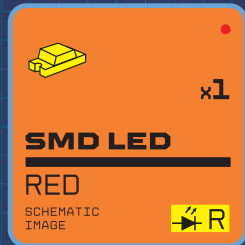
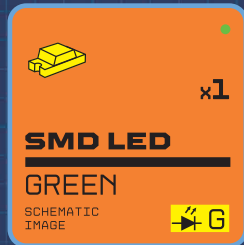
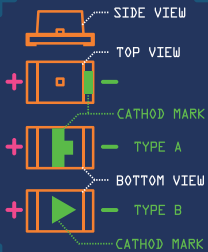
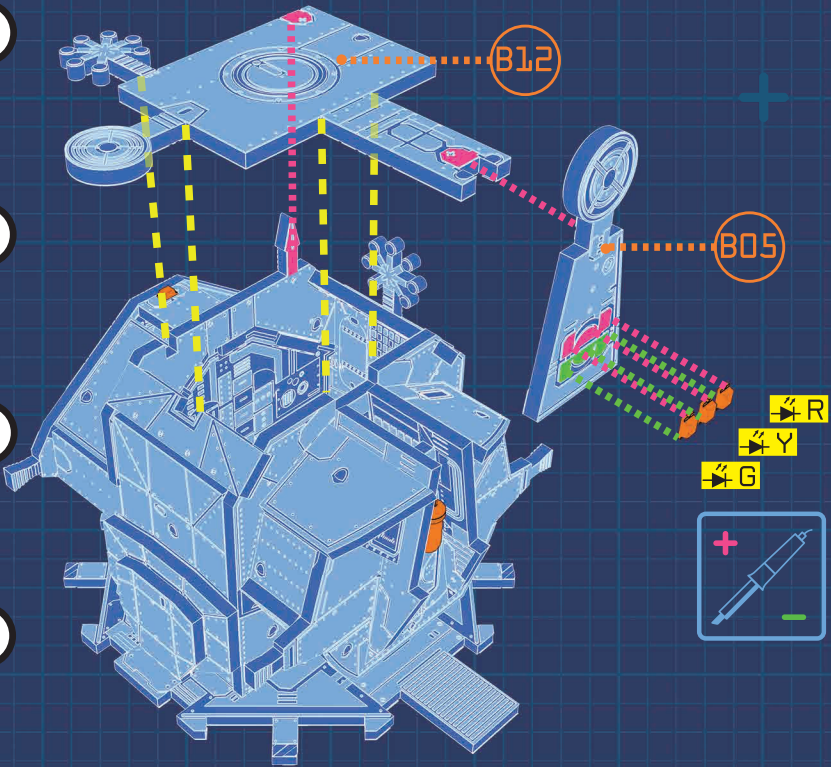
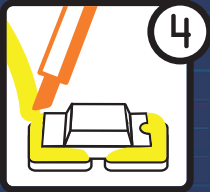
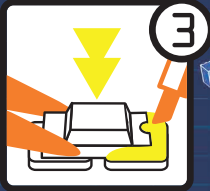
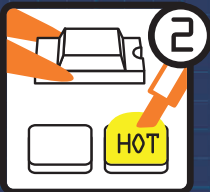
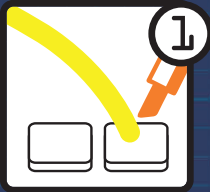
MORE INFO NEXT PAGE

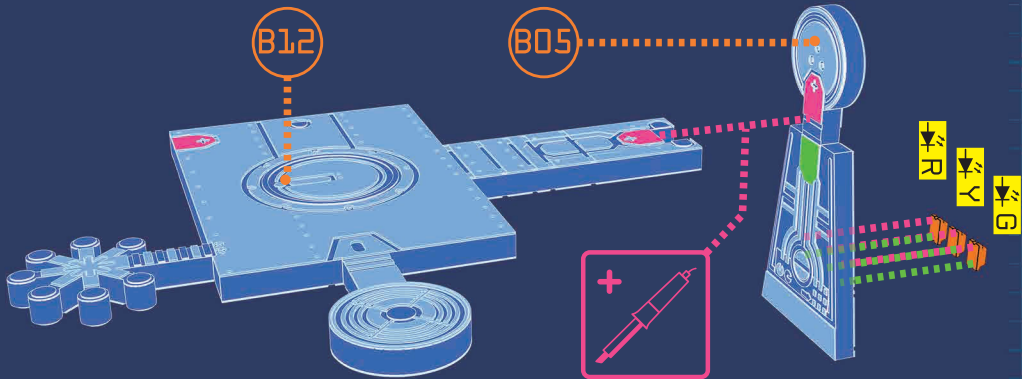


B25

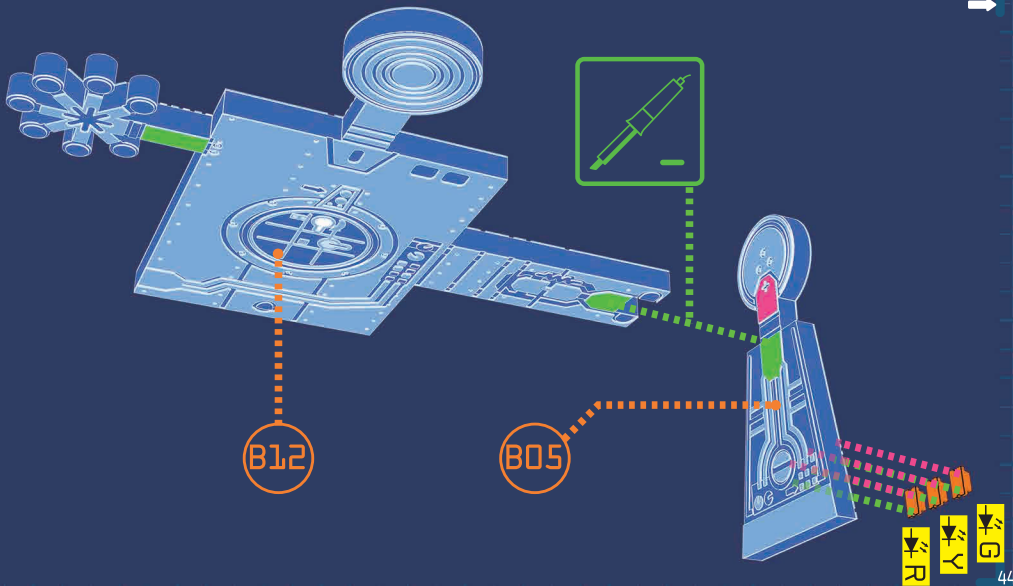


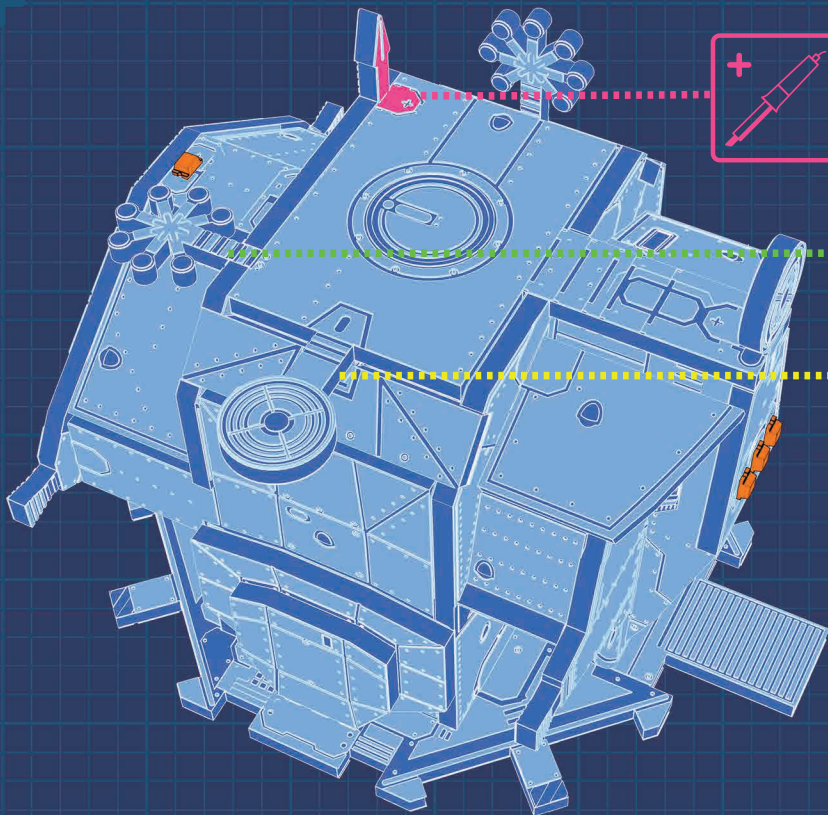


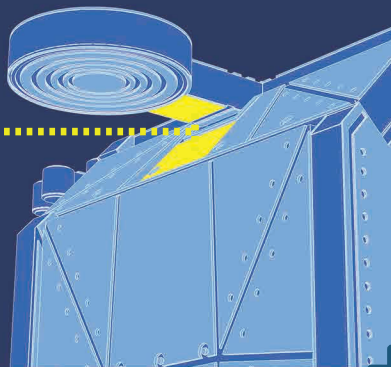


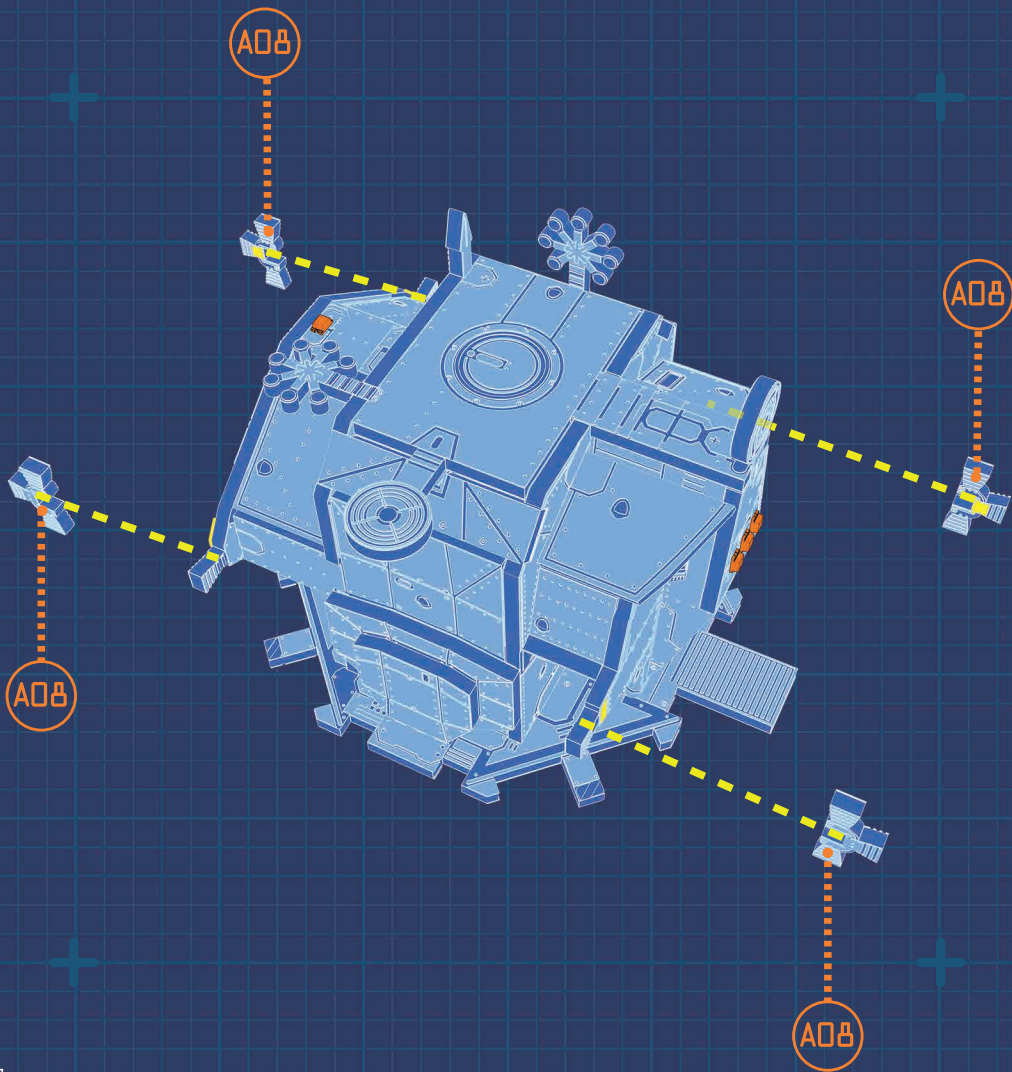


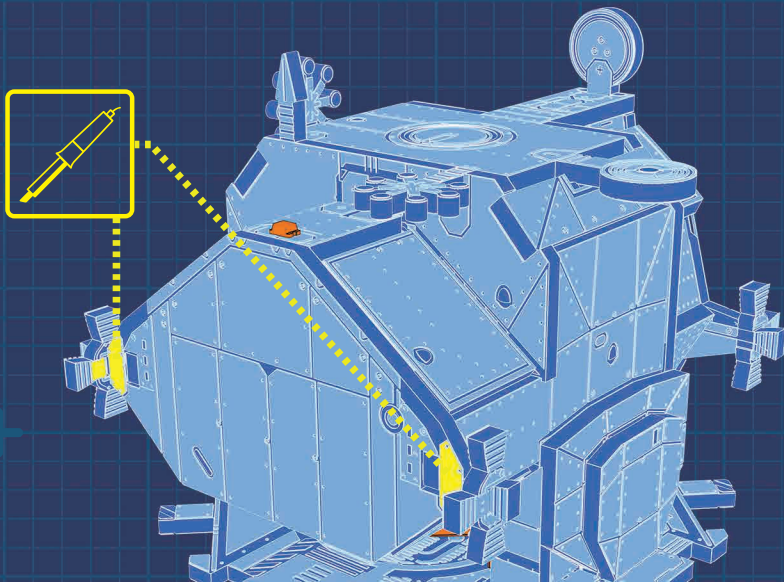
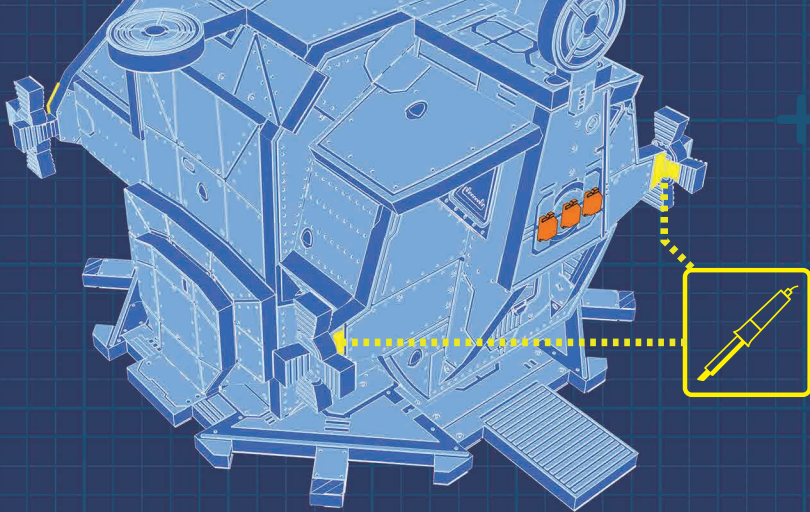
MORE INFO NEXT PAGE

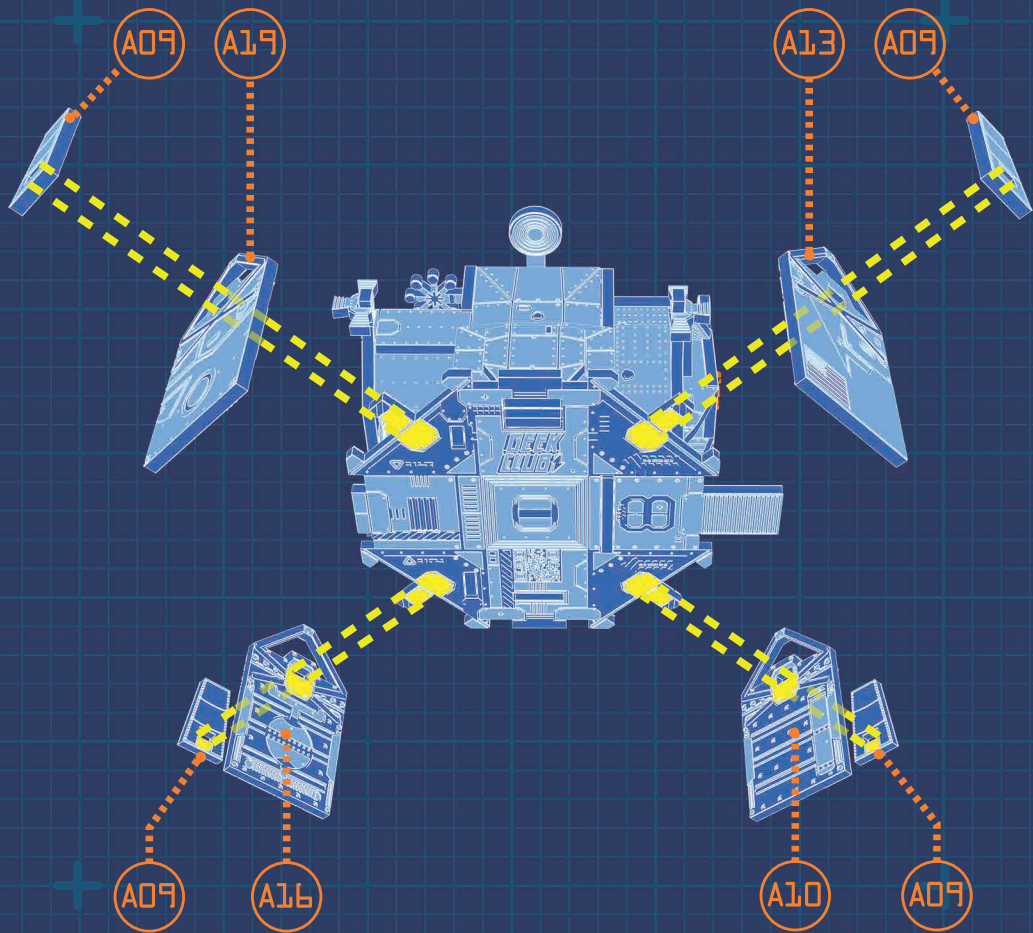












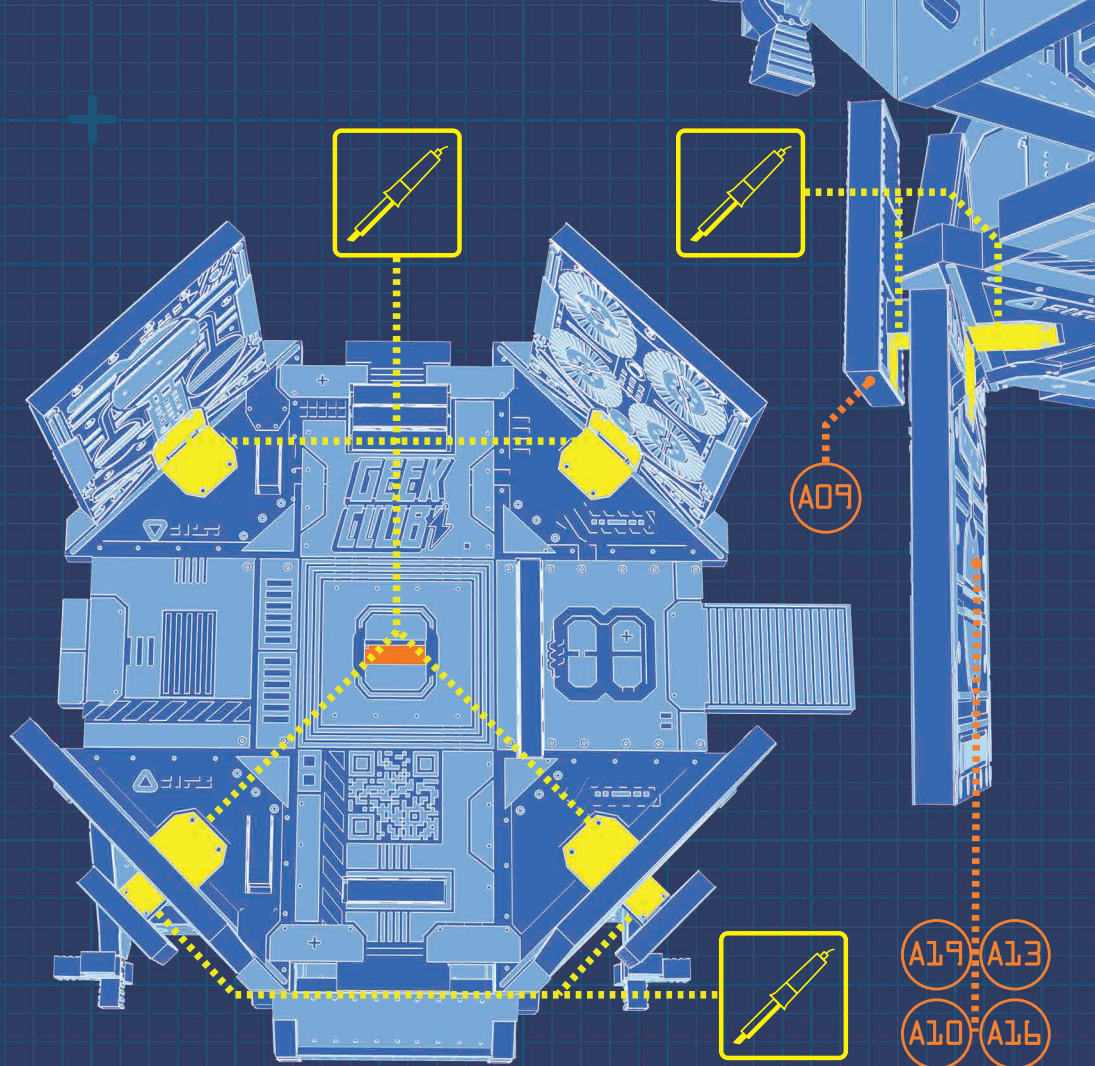


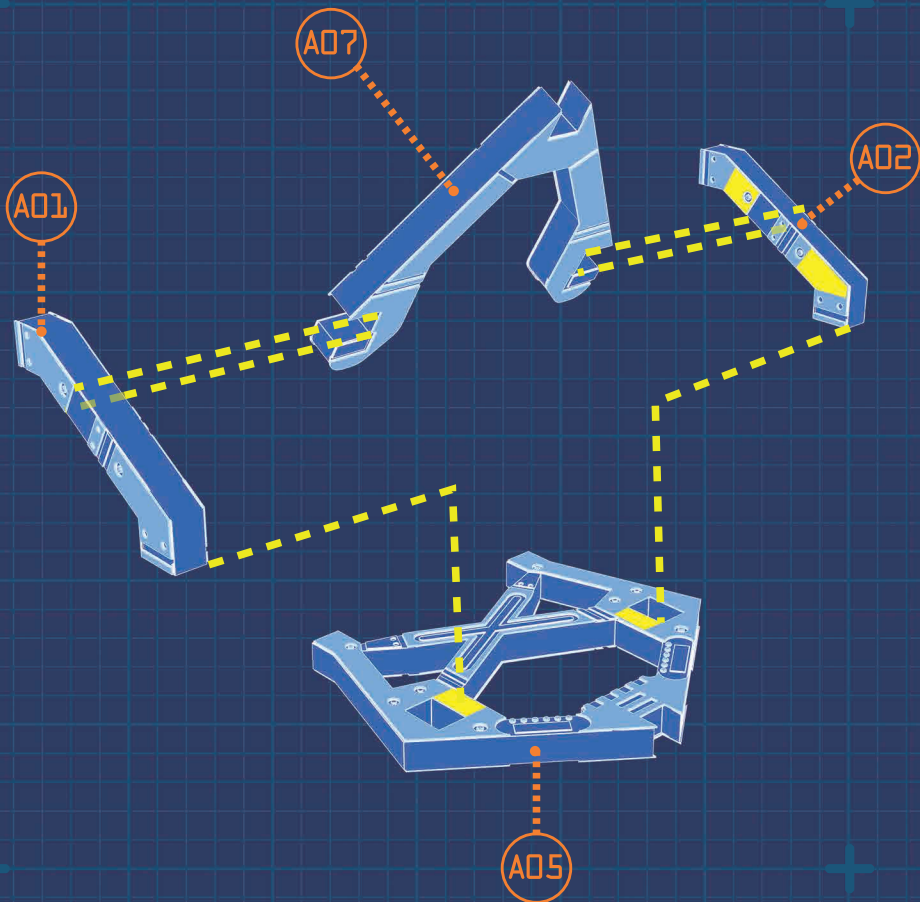
A09



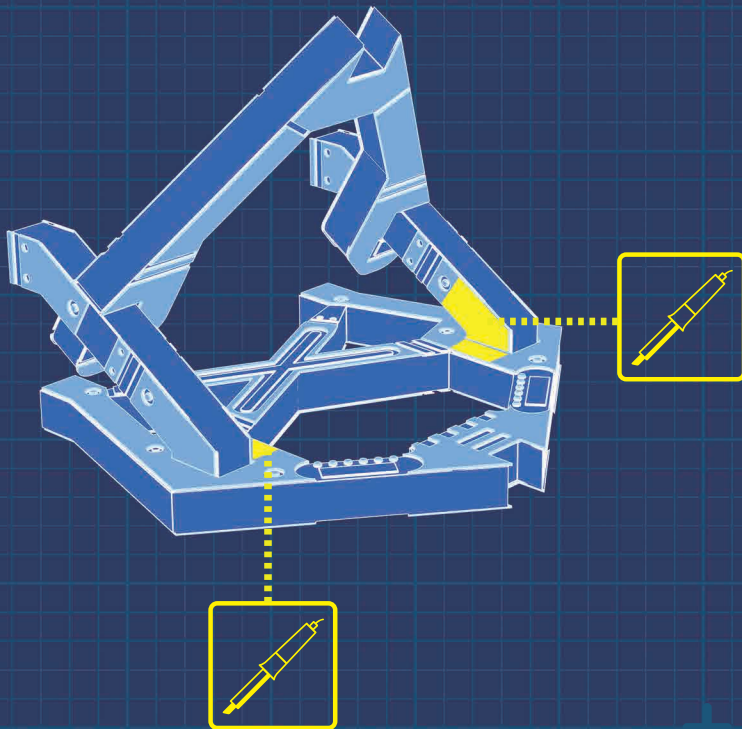
A19 A13

A10 A16



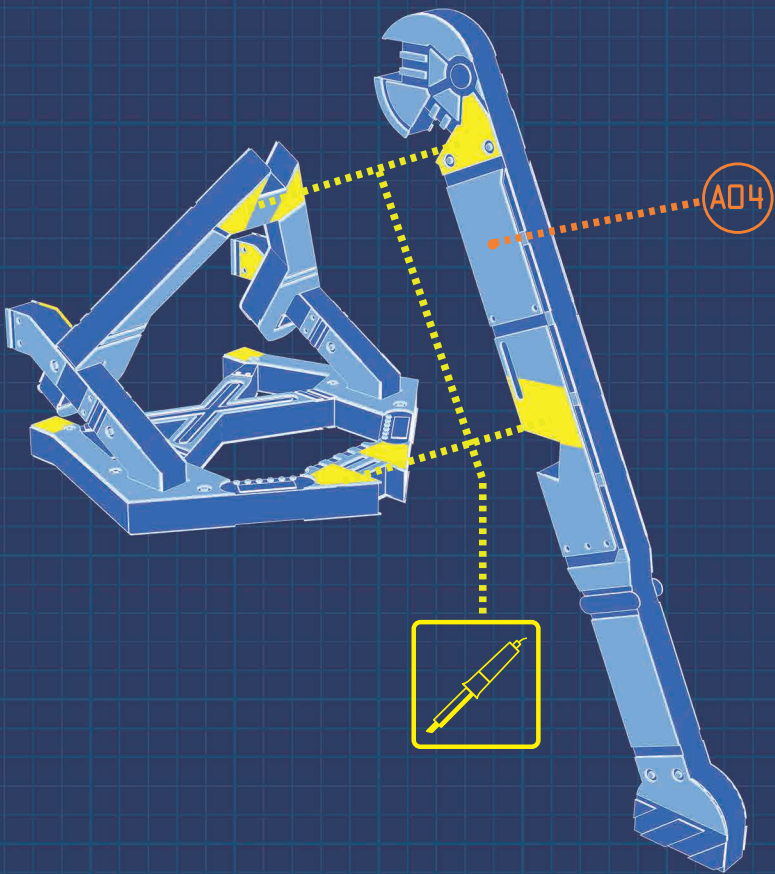


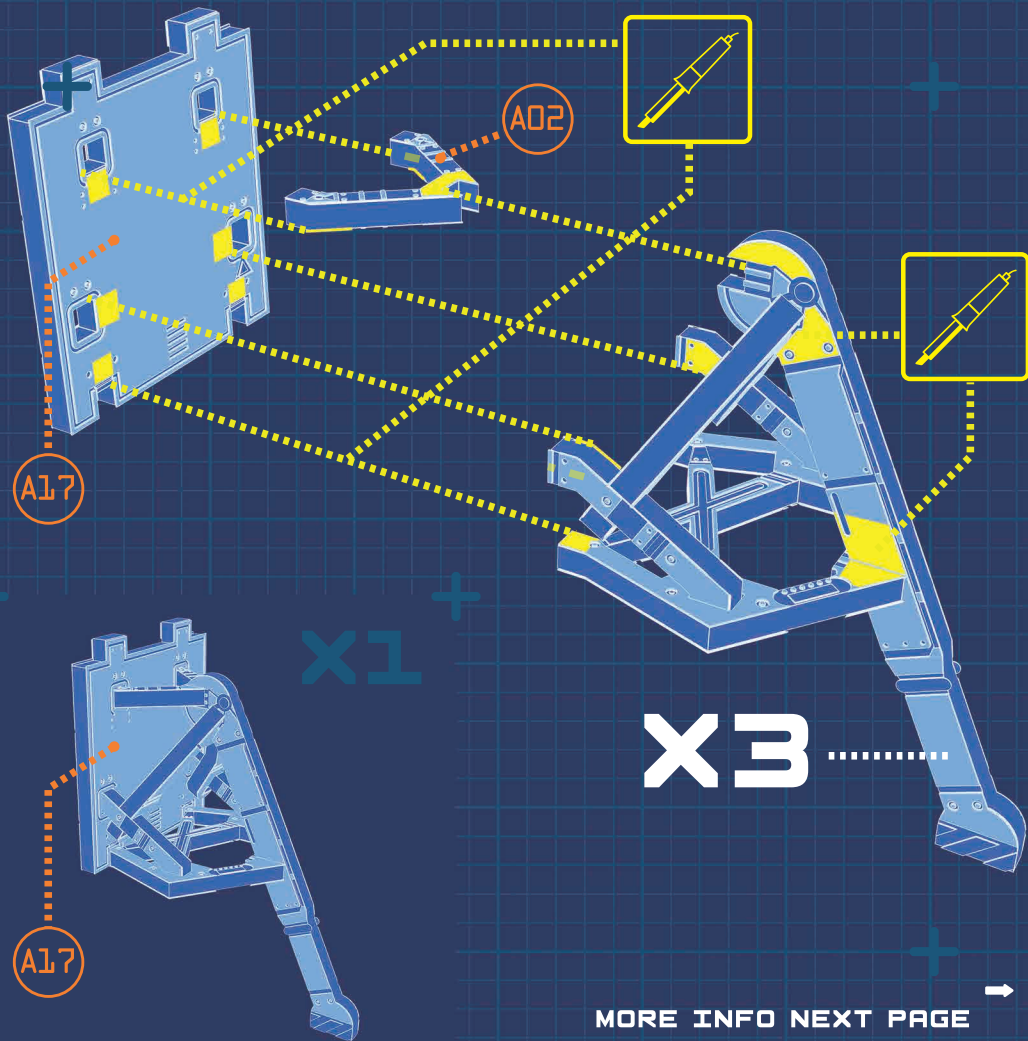
X4



MORE INFO NEXT PAGE

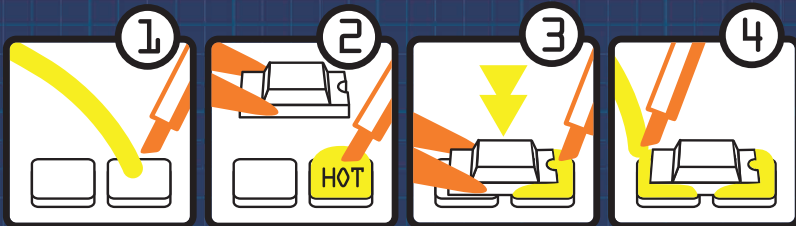
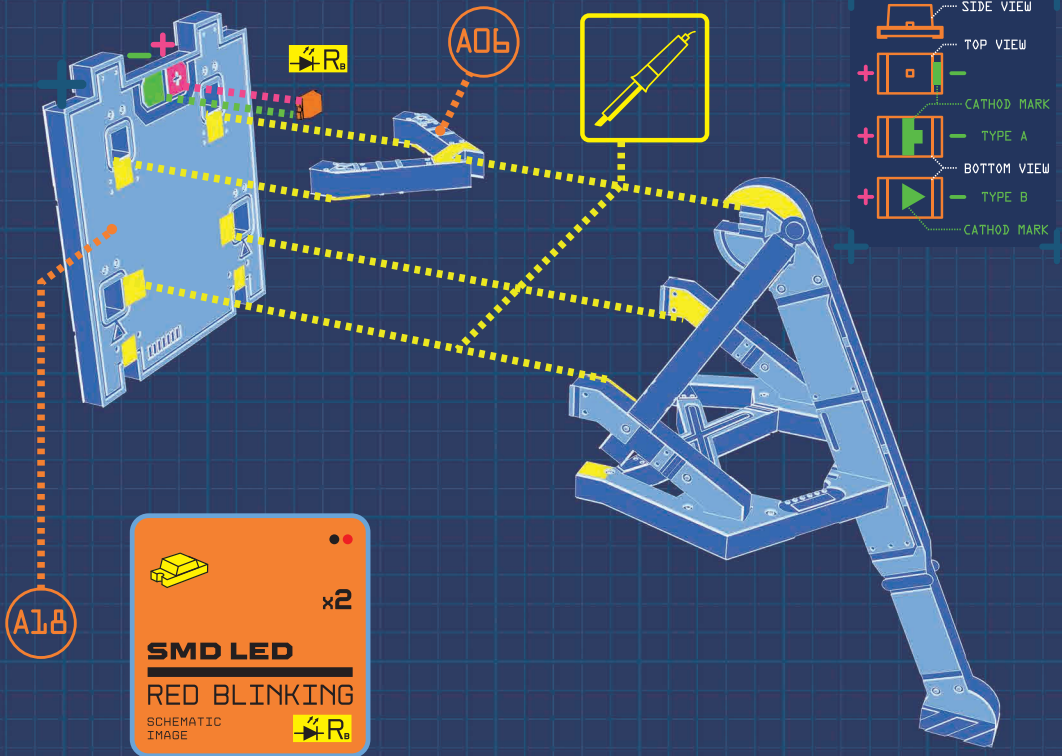






MORE INFO NEXT PAGE





X2

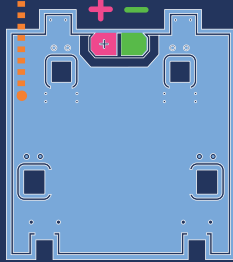
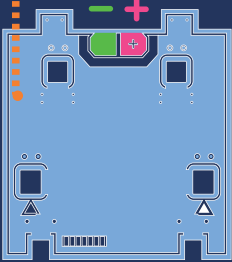
A18
A11

A18

A11

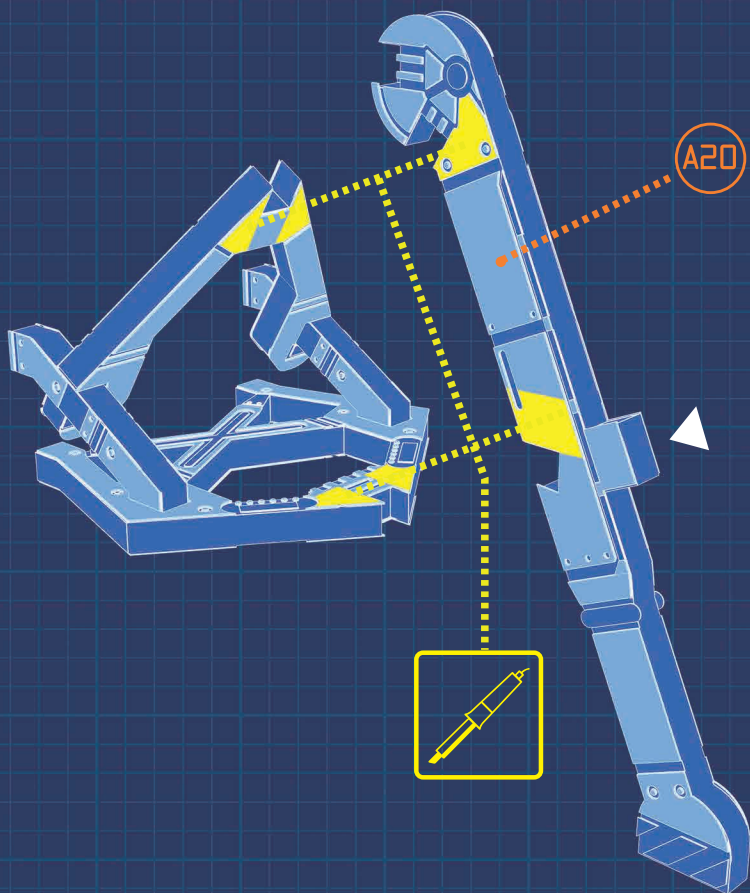
⚡ R₆

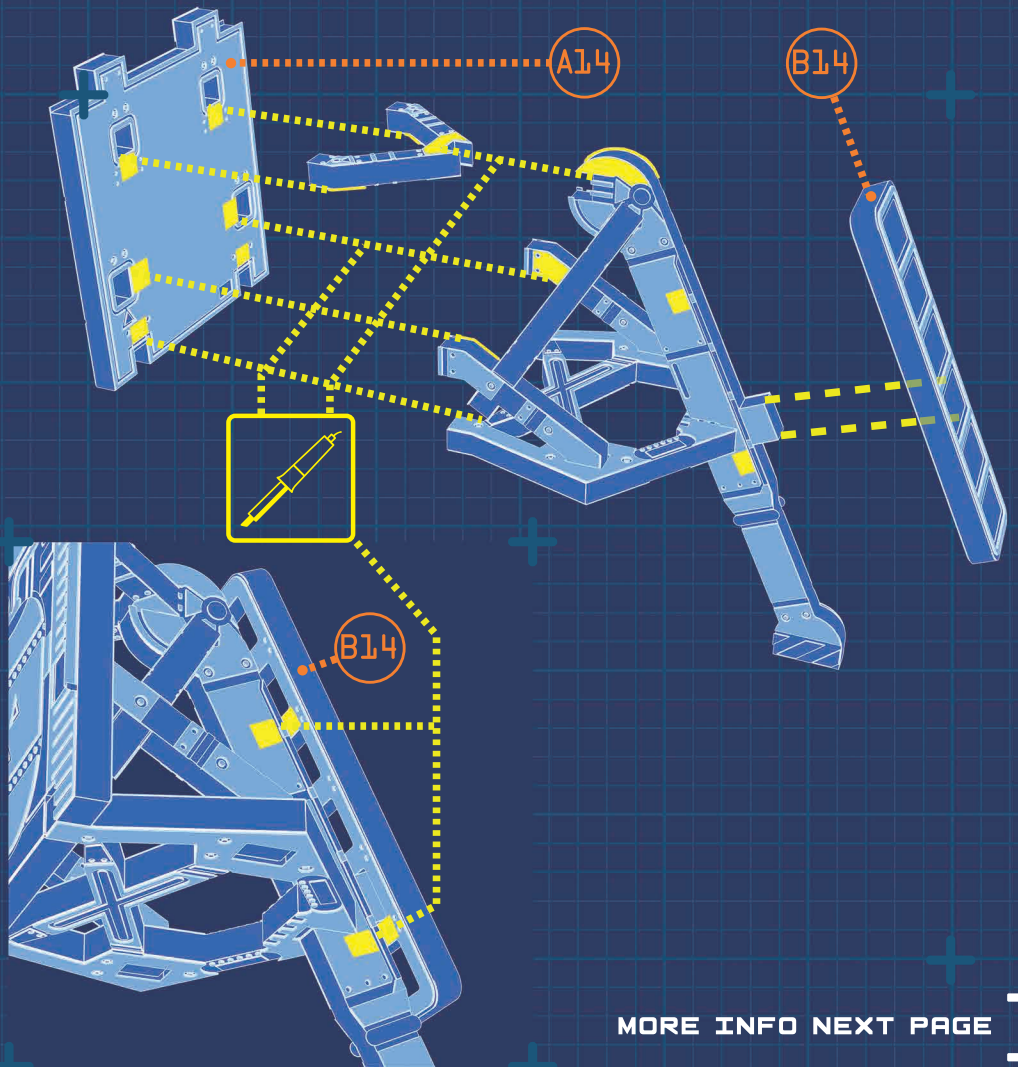
⚡ R₆



MORE INFO NEXT PAGE

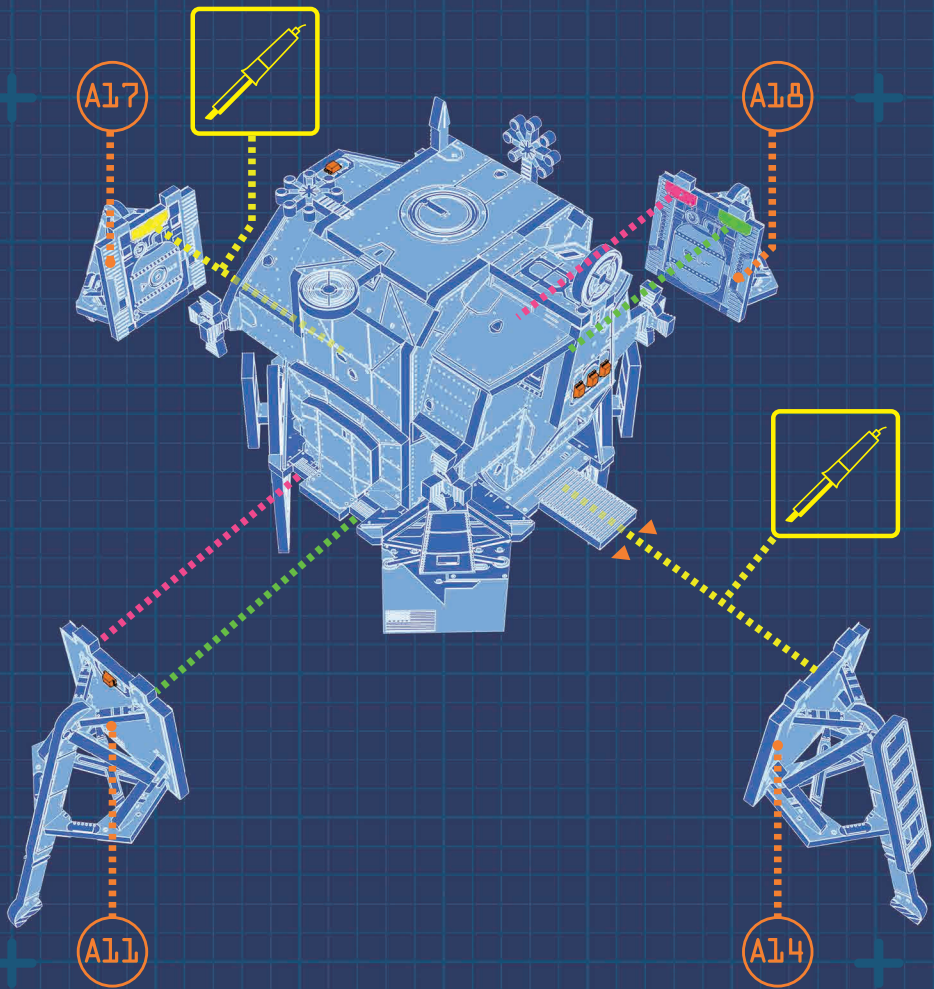


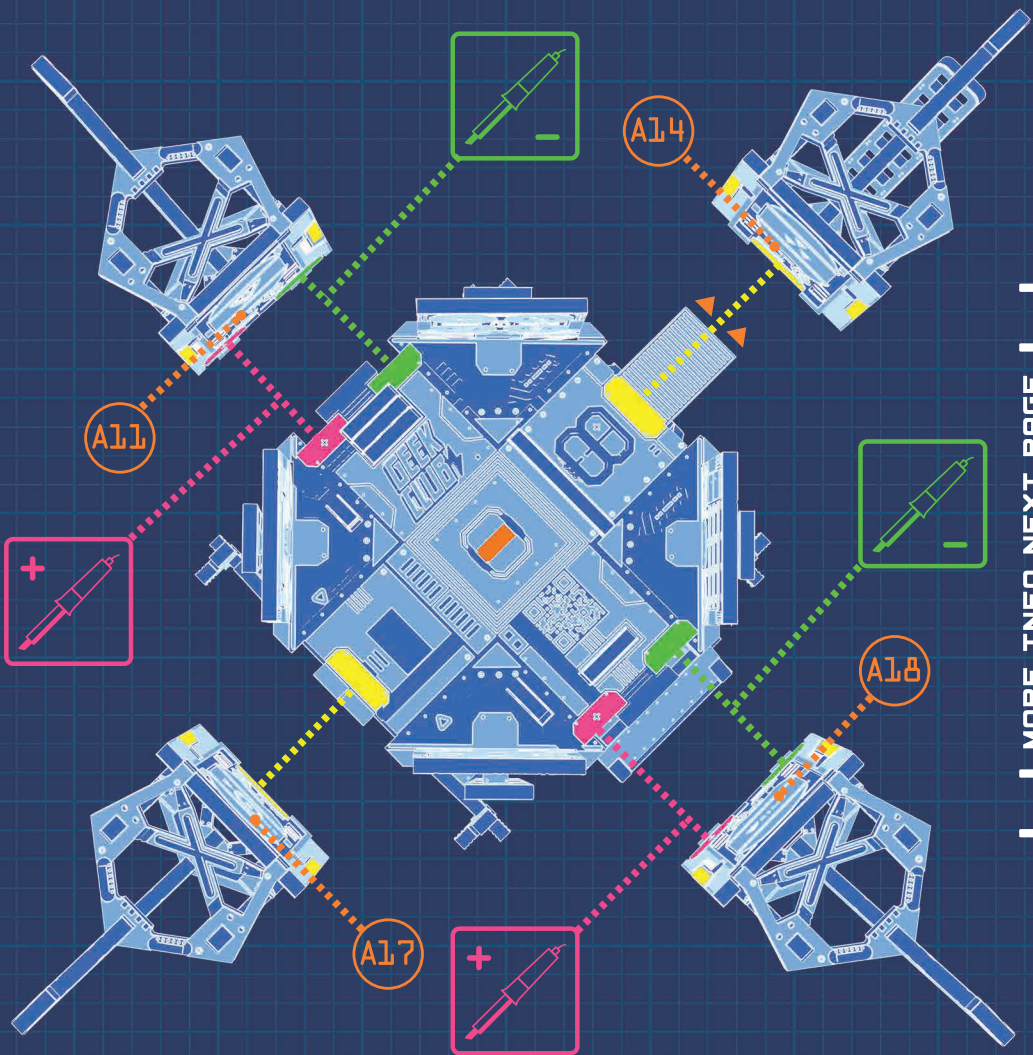




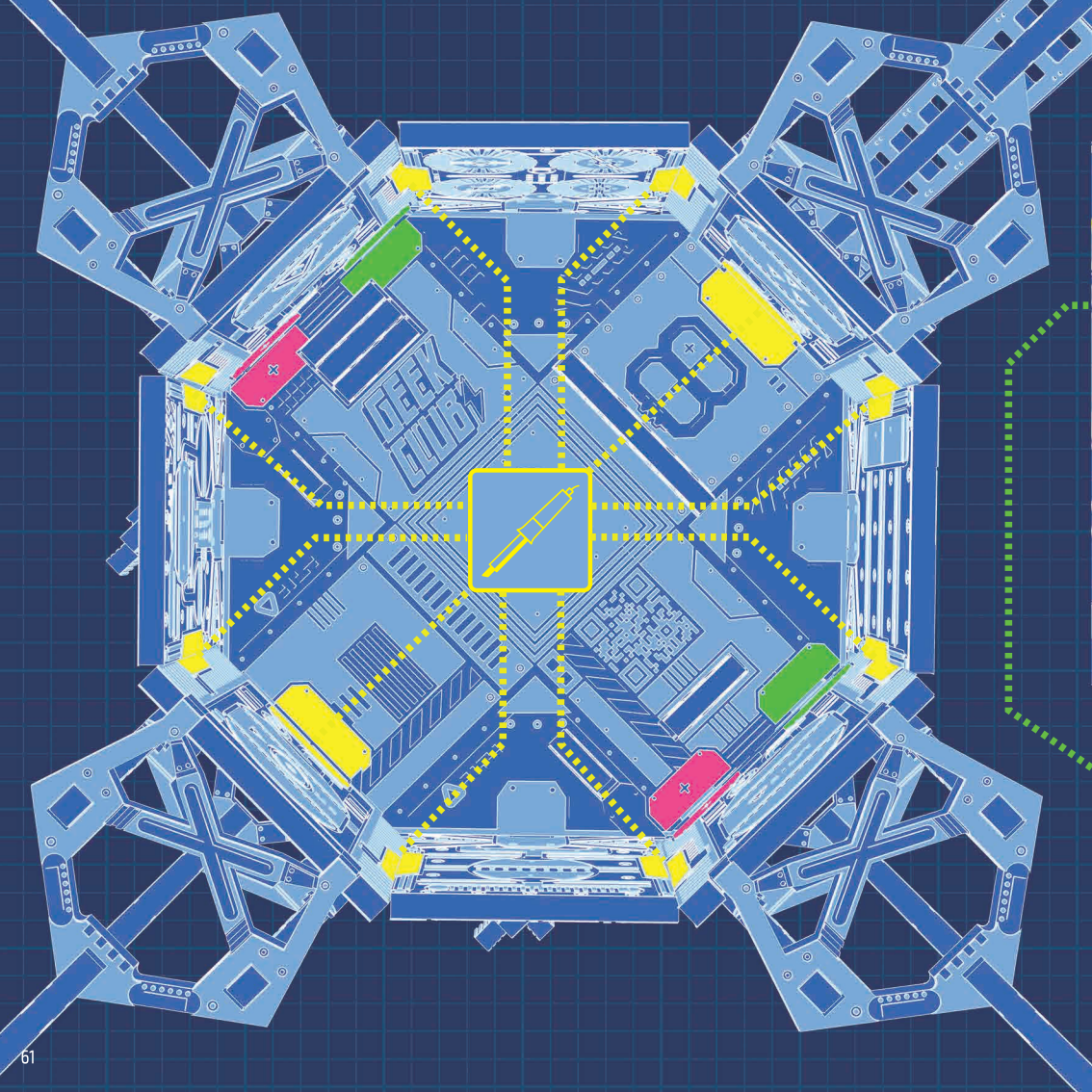
MORE INFO NEXT PAGE

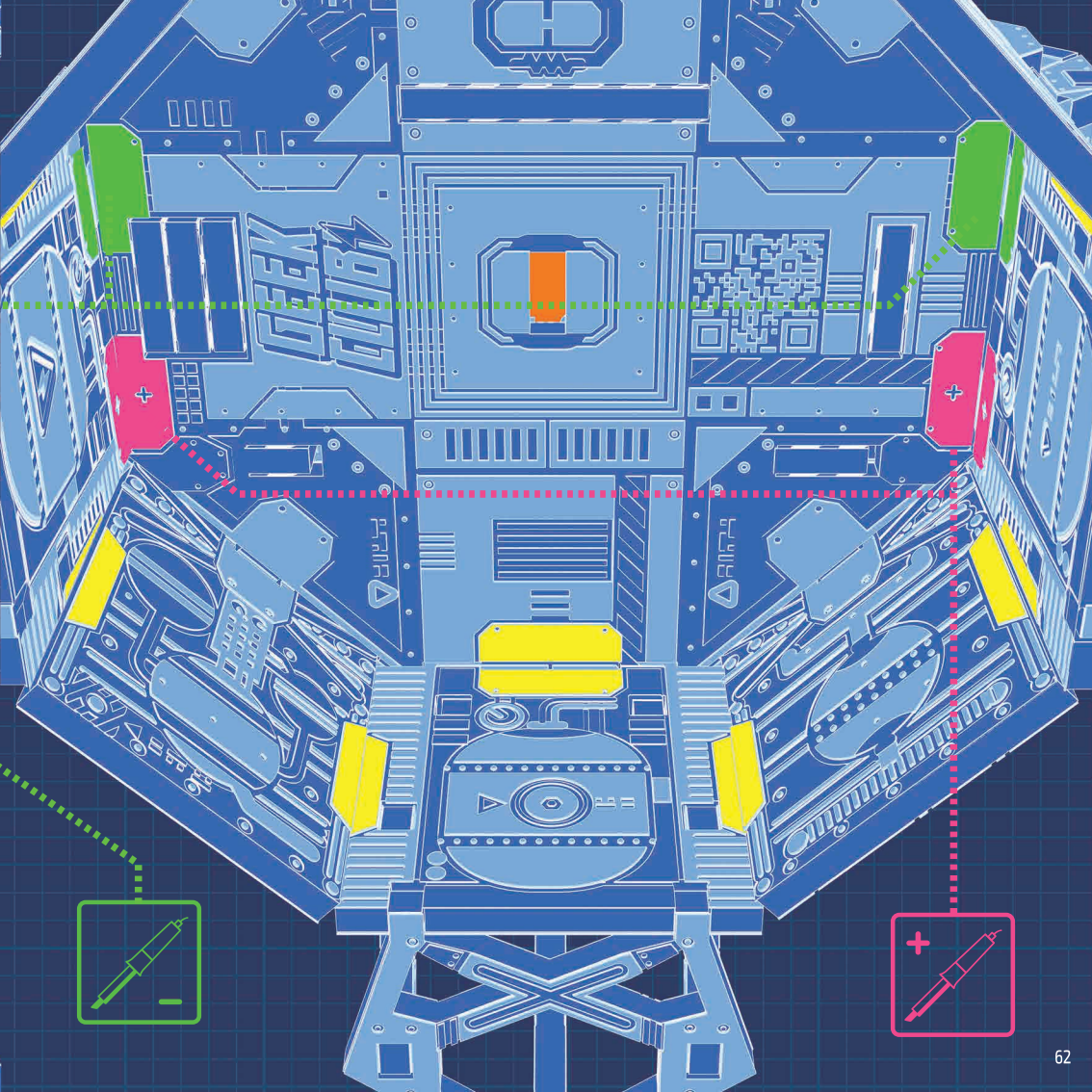


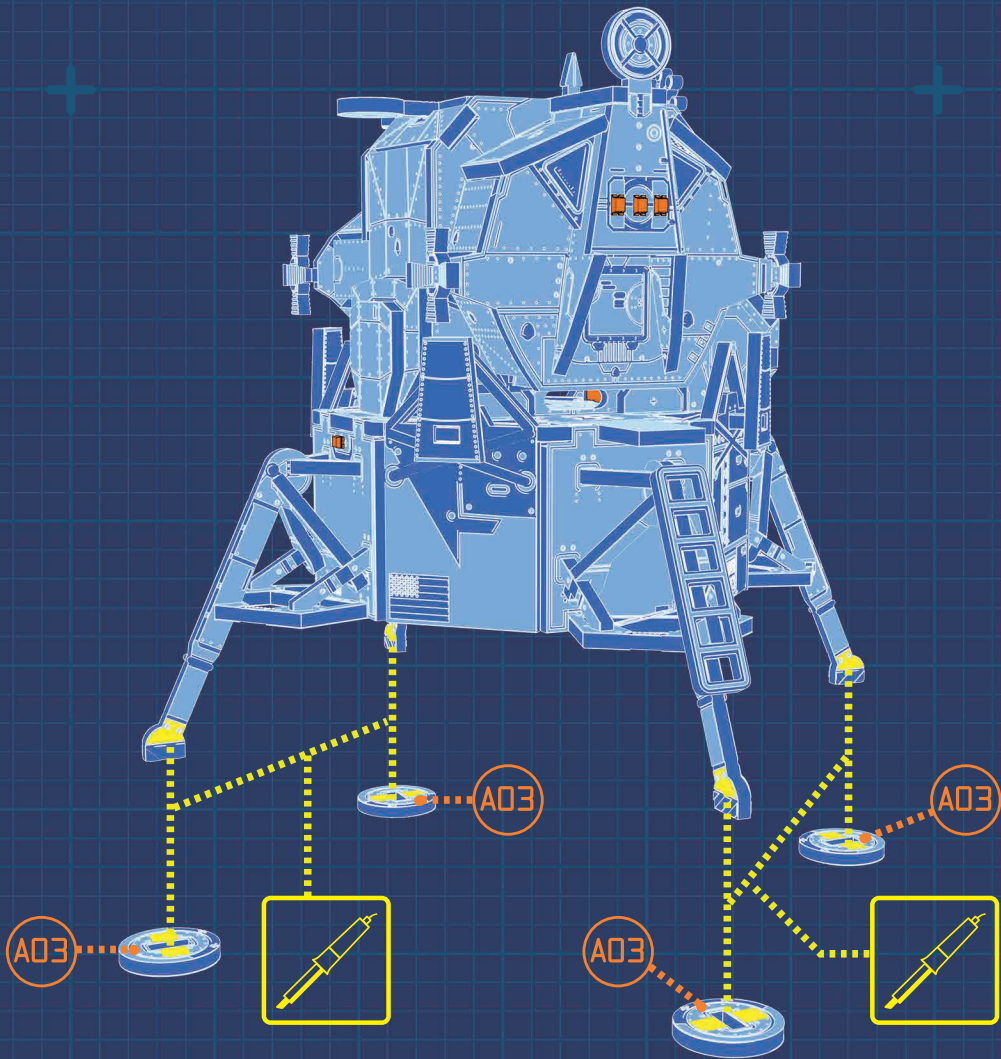


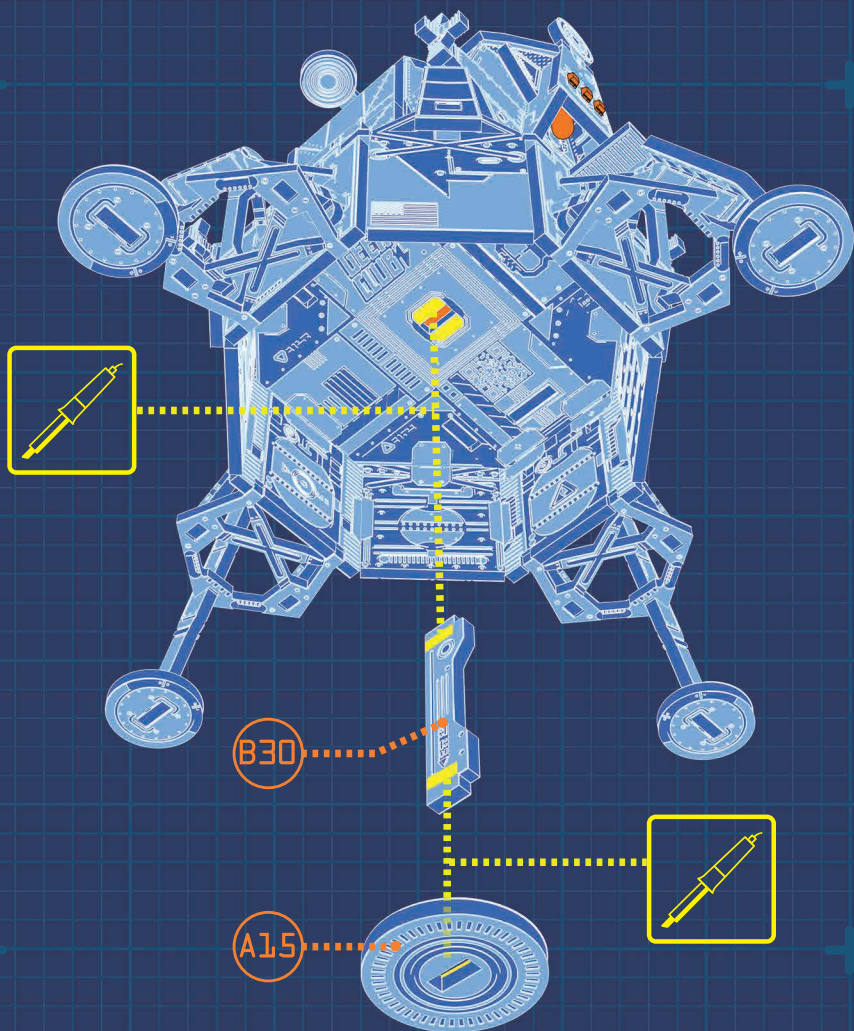


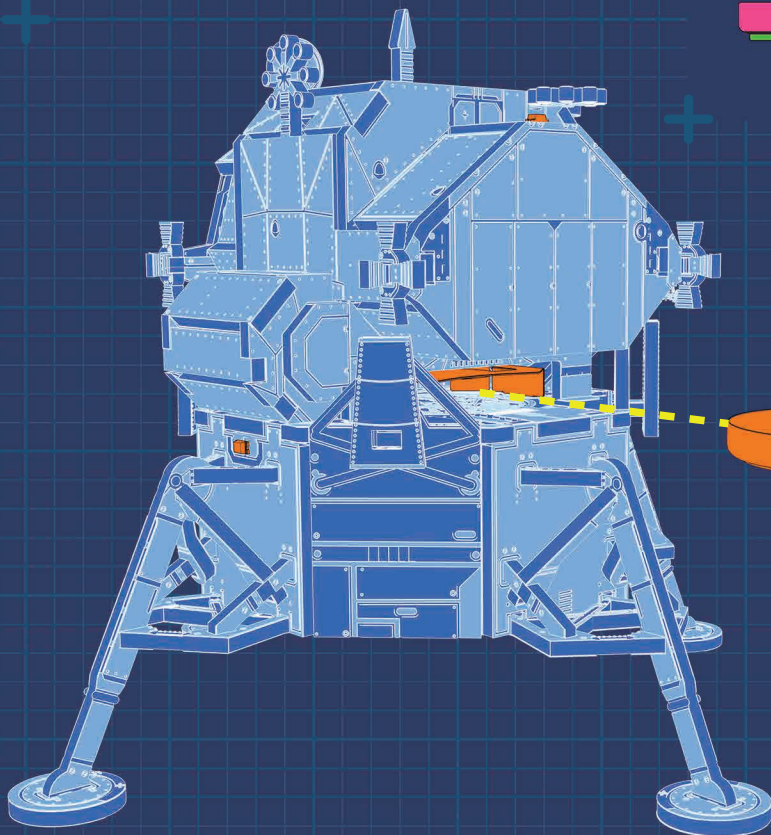
↓ MORE INFO NEXT PAGE ↓









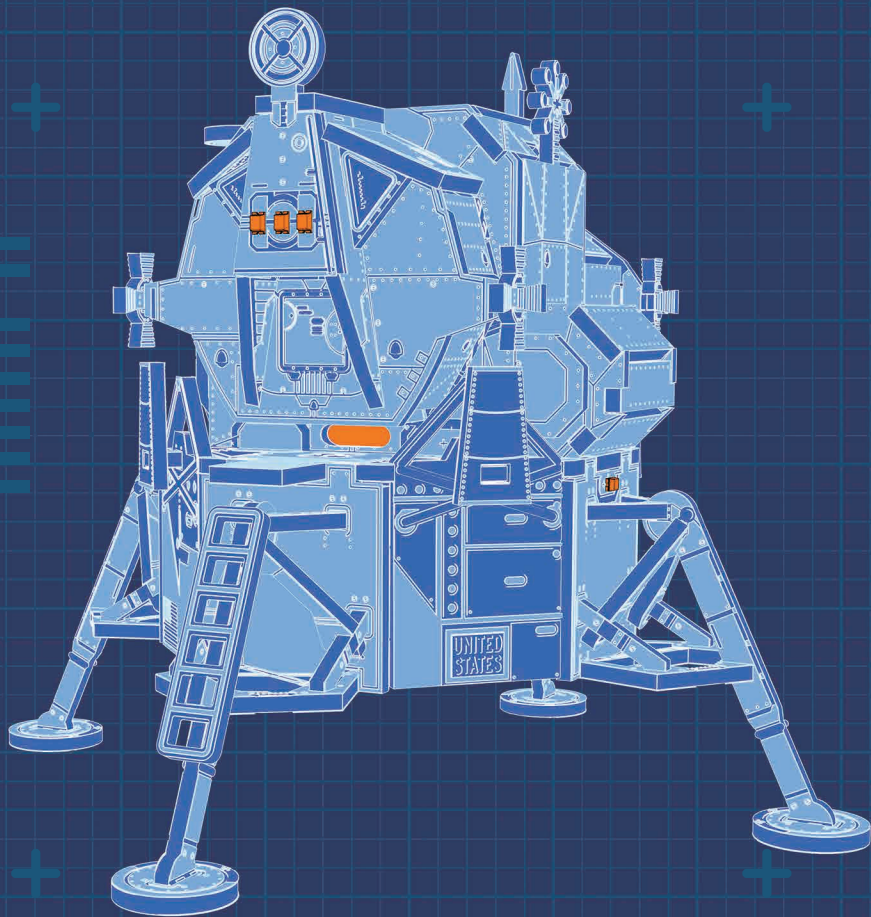


+

CR2032

+

CR2032

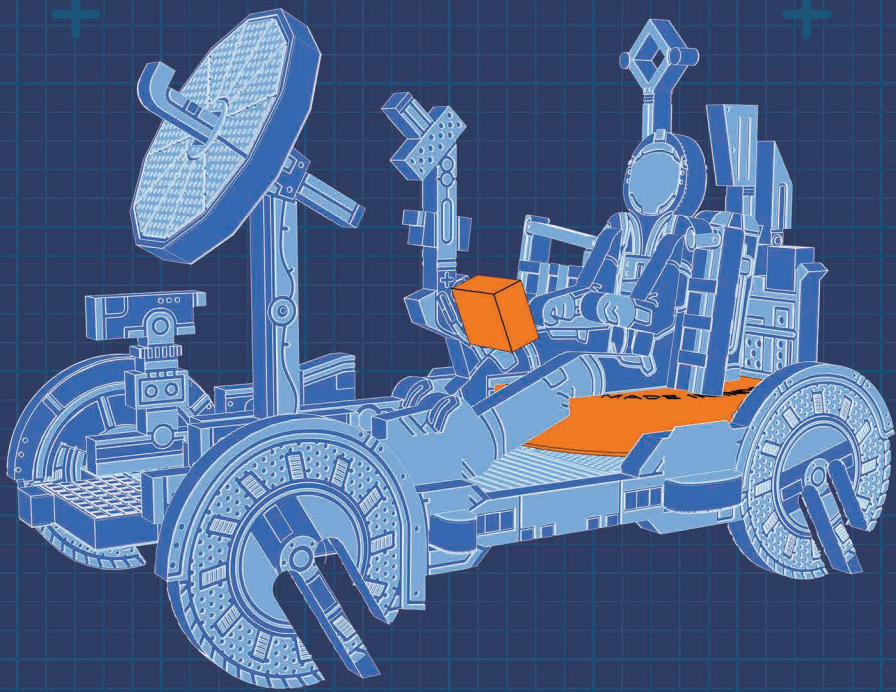




PROJECT APOLLO
MOON ROVER
LUNAR ROVER VEHICLE
LRV



READ BEFORE FLIGHT

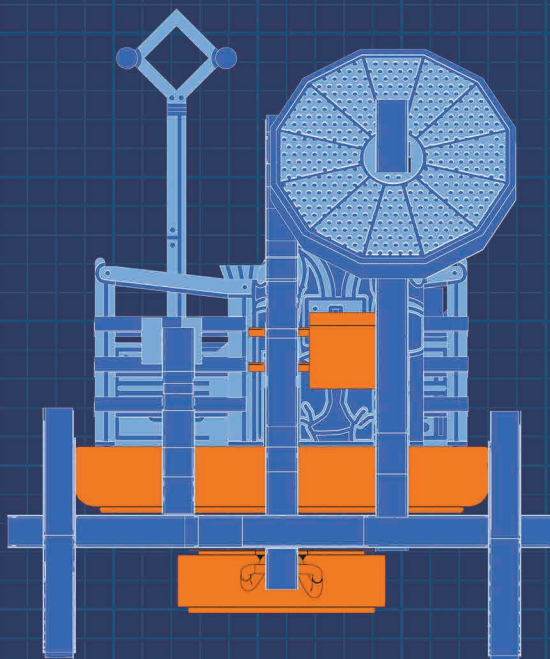


READ BEFORE FLIGHT

◀ KEEP SAFE

FRONT

READ BEFORE FLIGHT



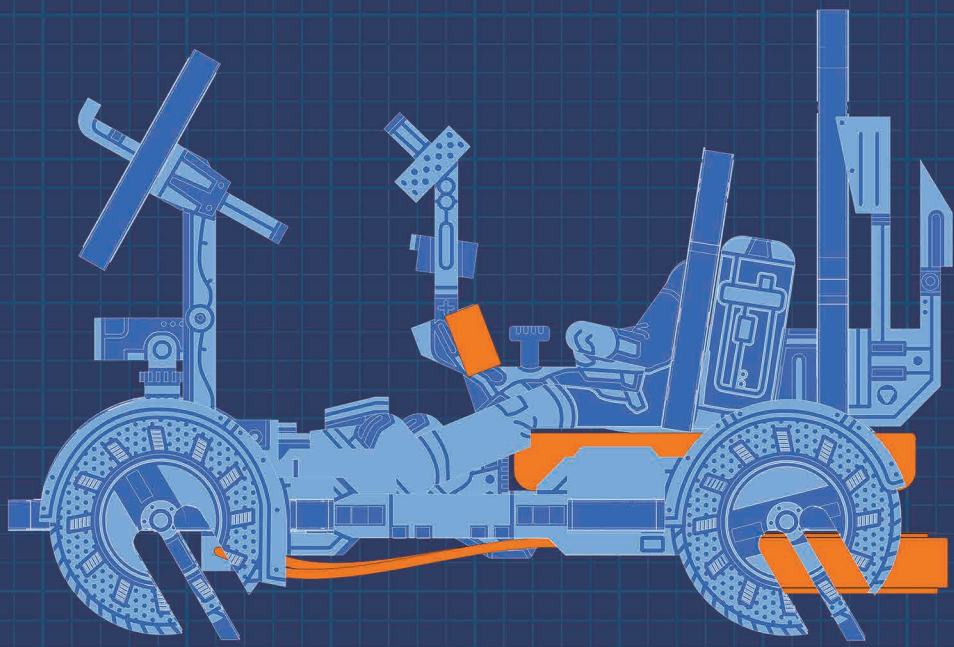
1.3"
32 MM

1.1"
27 MM

◀ KEEP SAFE

KEEP SAFE ▶

RIGHT



1.9"
48 MM

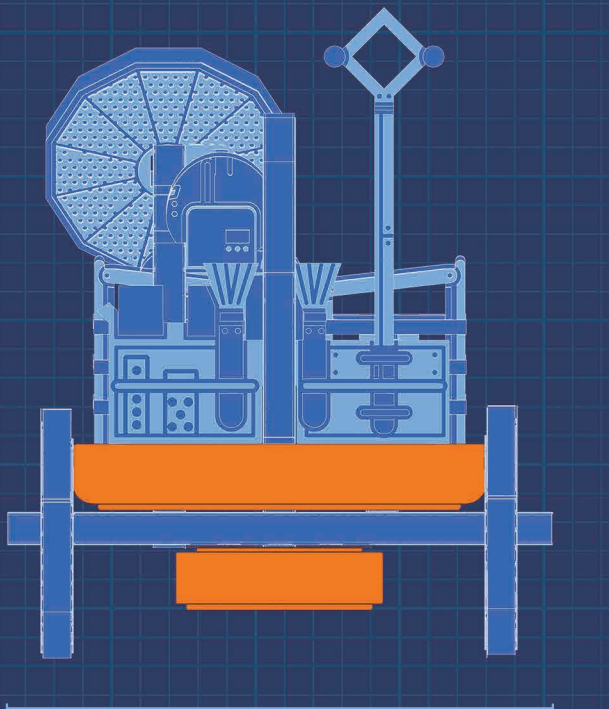
READ BEFORE FLIGHT

KEEP SAFE ▶

KEEP SAFE

BACK

READ BEFORE FLIGHT



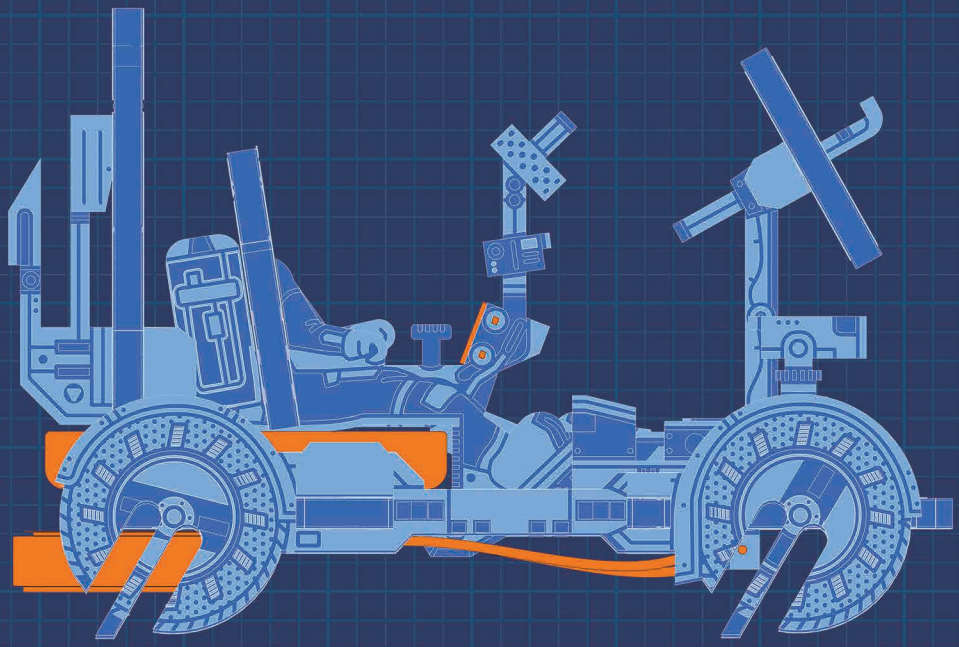
1.3"
32 MM

1.1"
27 MM

KEEP SAFE

KEEP SAFE ▶

LEFT



1.9"
48 MM

READ BEFORE FLIGHT

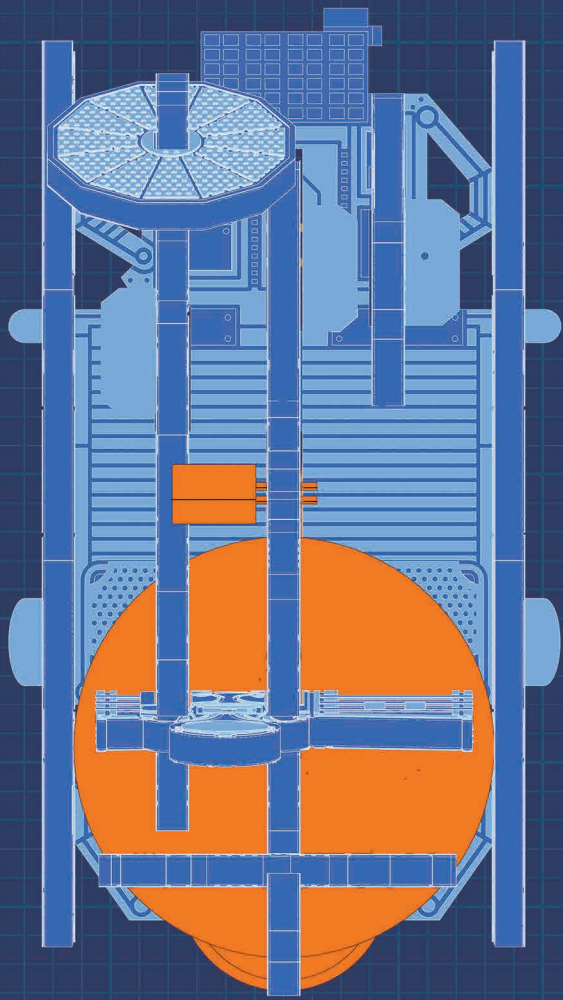
KEEP SAFE ▶



KEEP SAFE

TOP

READ BEFORE FLIGHT



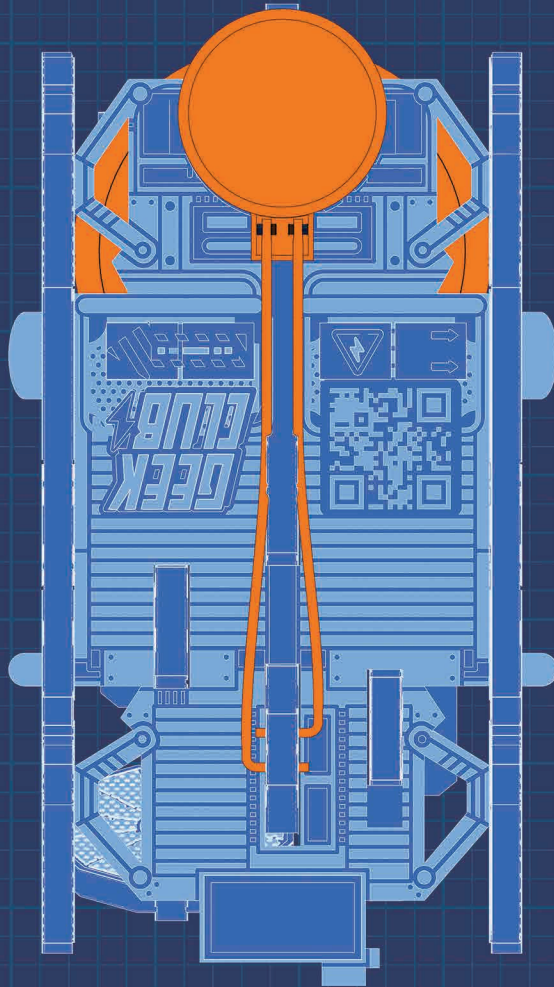
1.9"
48 MM



KEEP SAFE

KEEP SAFE ▶

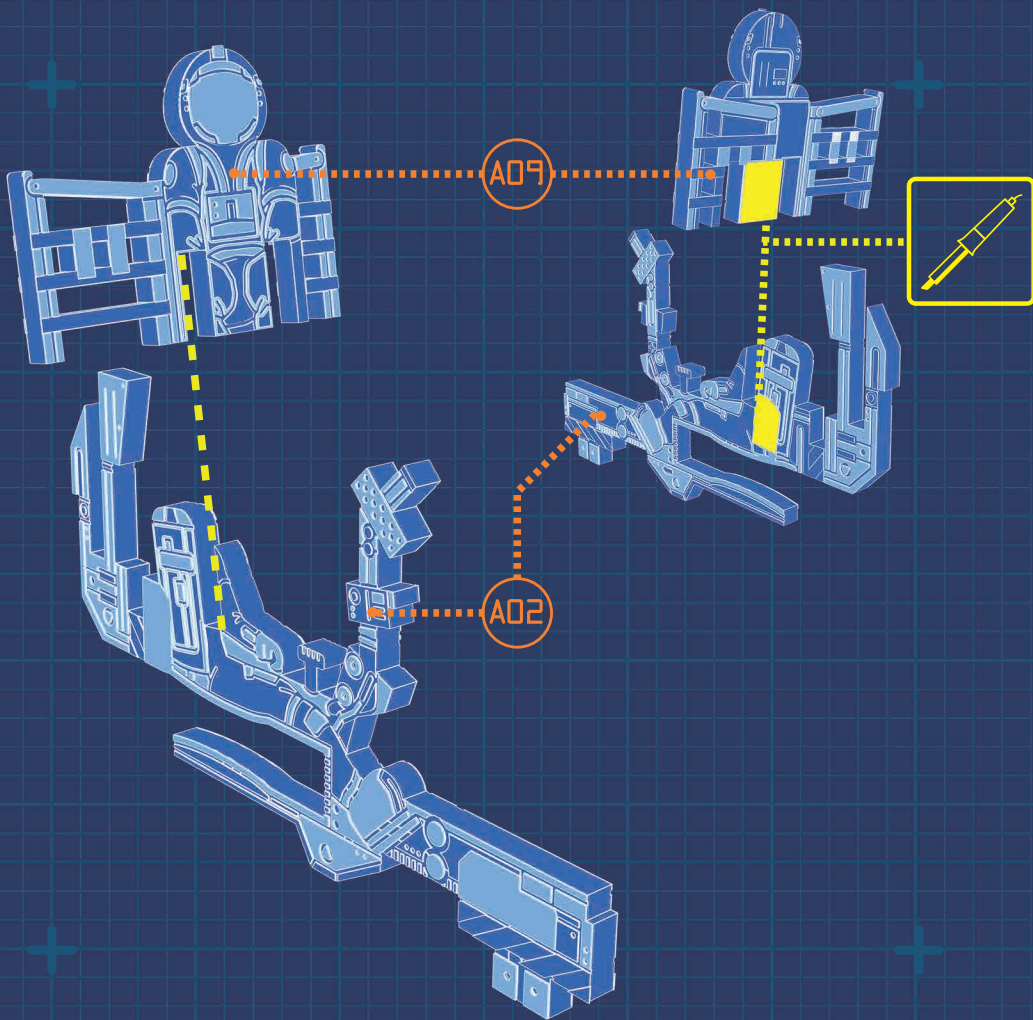
BOTTOM

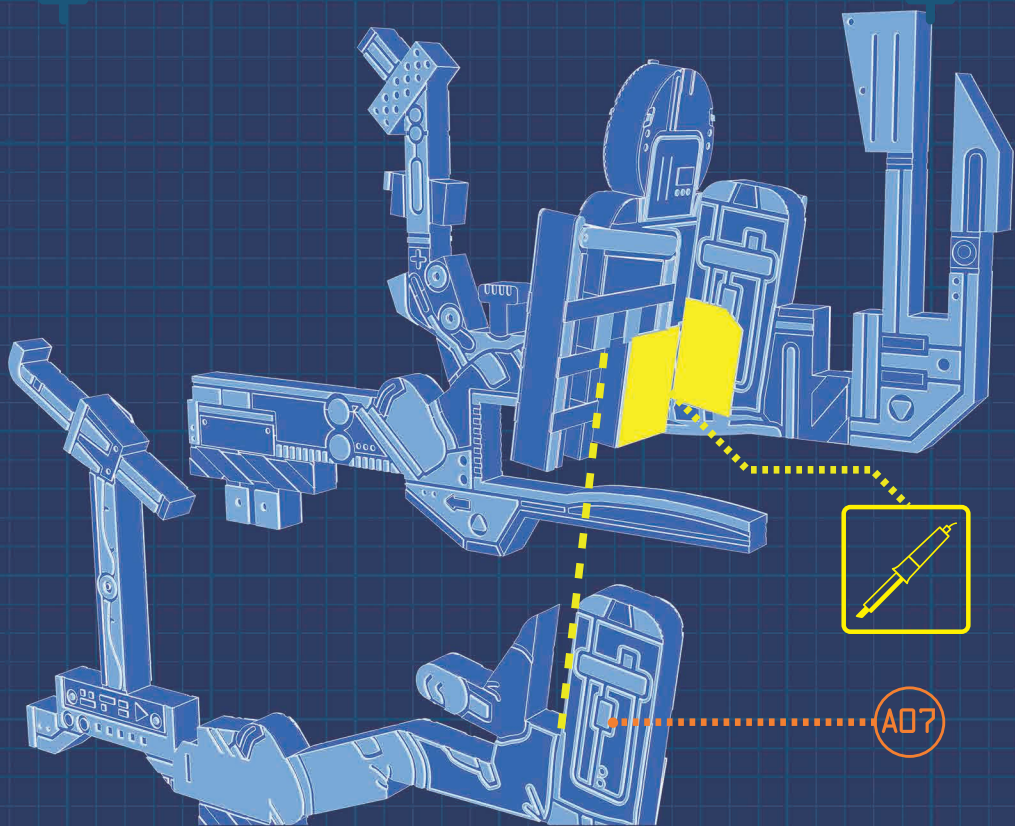


1.9"
48 MM

READ BEFORE FLIGHT

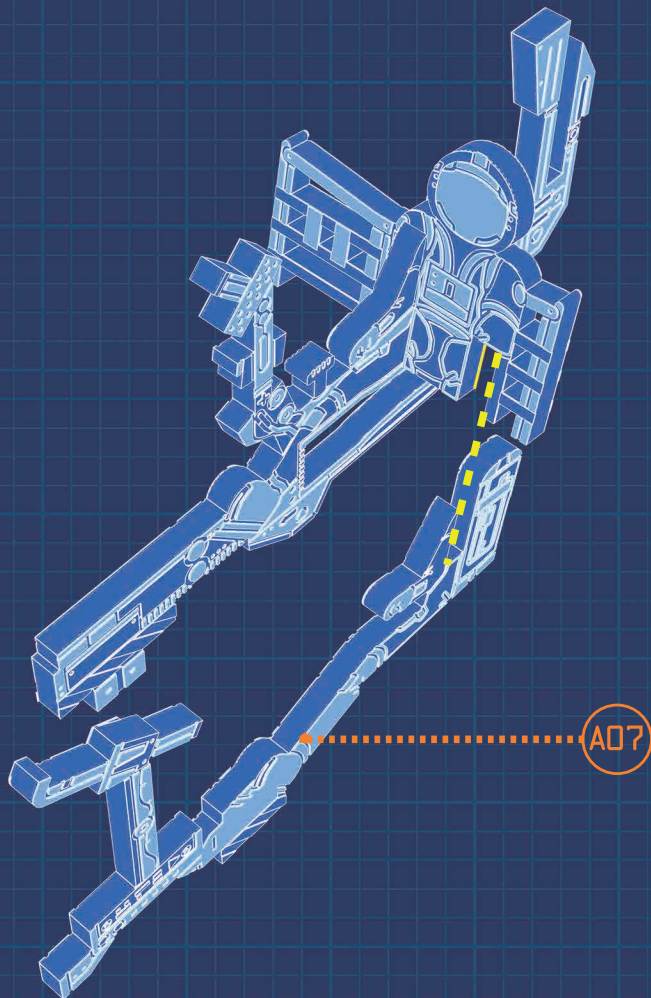
KEEP SAFE ▶

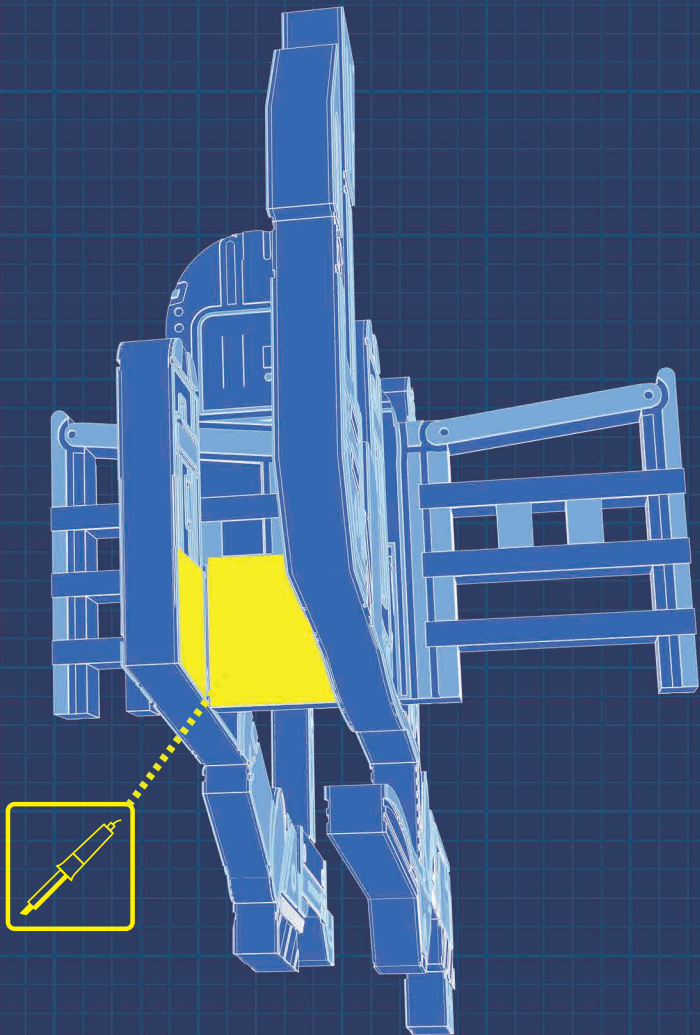


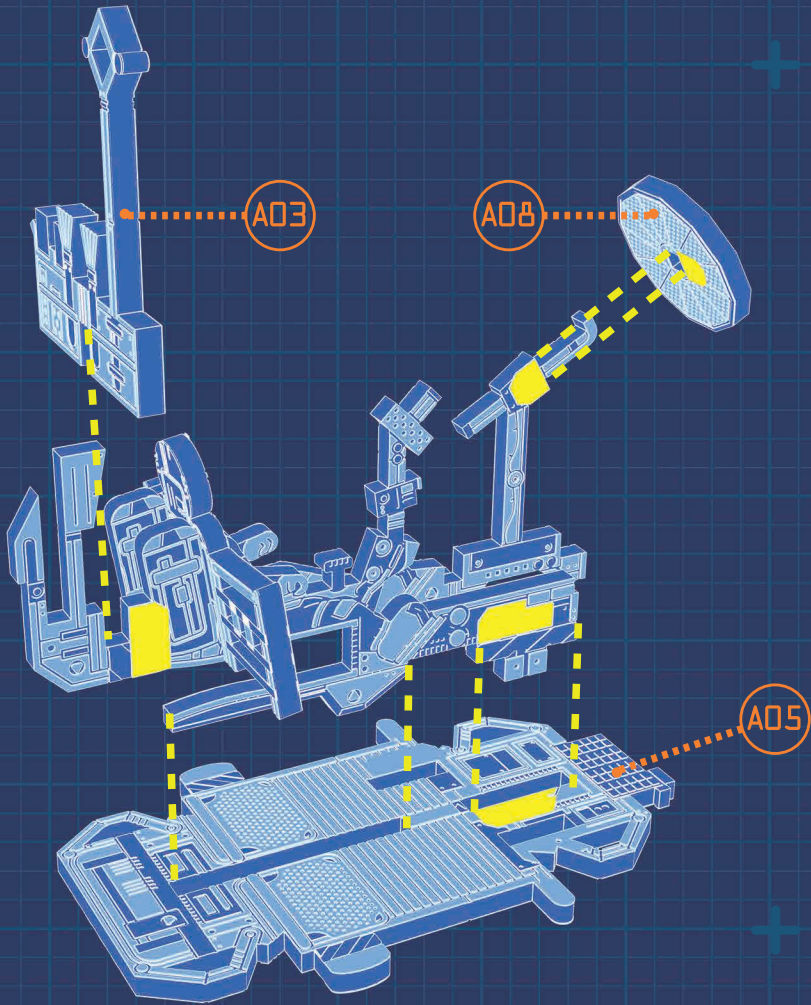


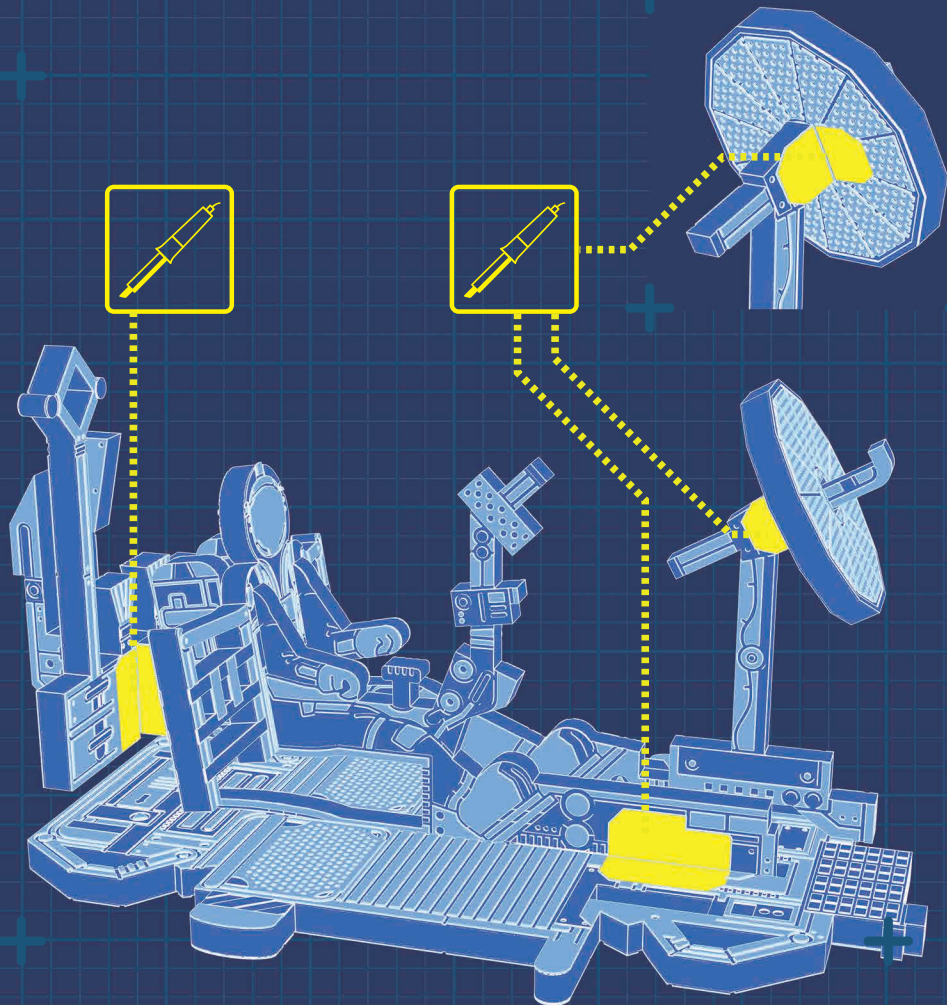
MORE INFO NEXT PAGE

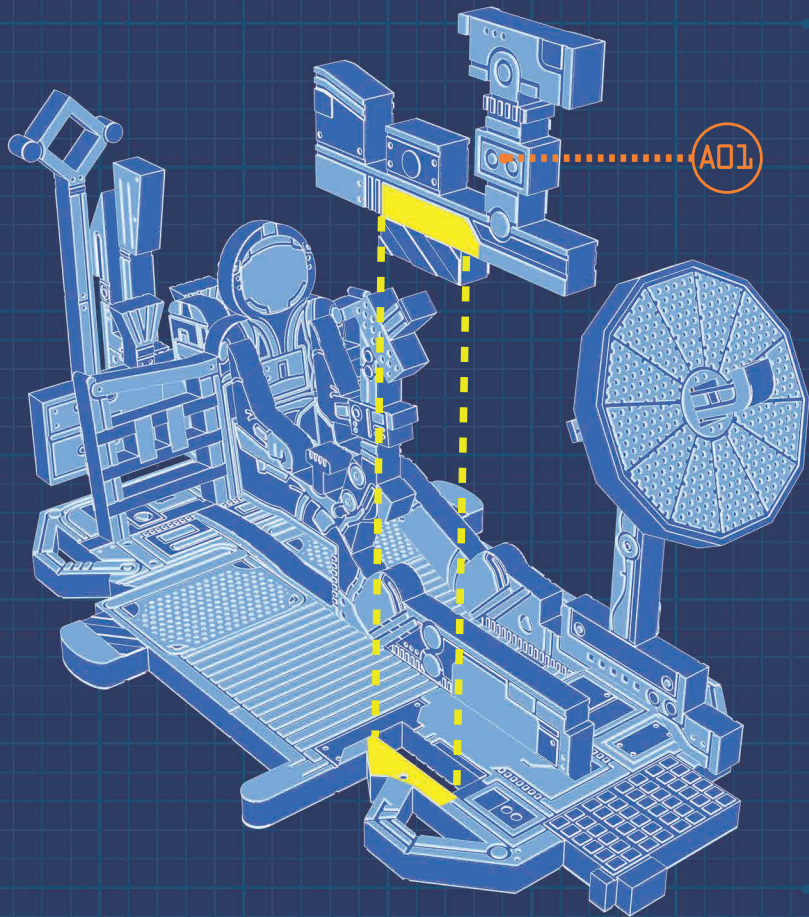


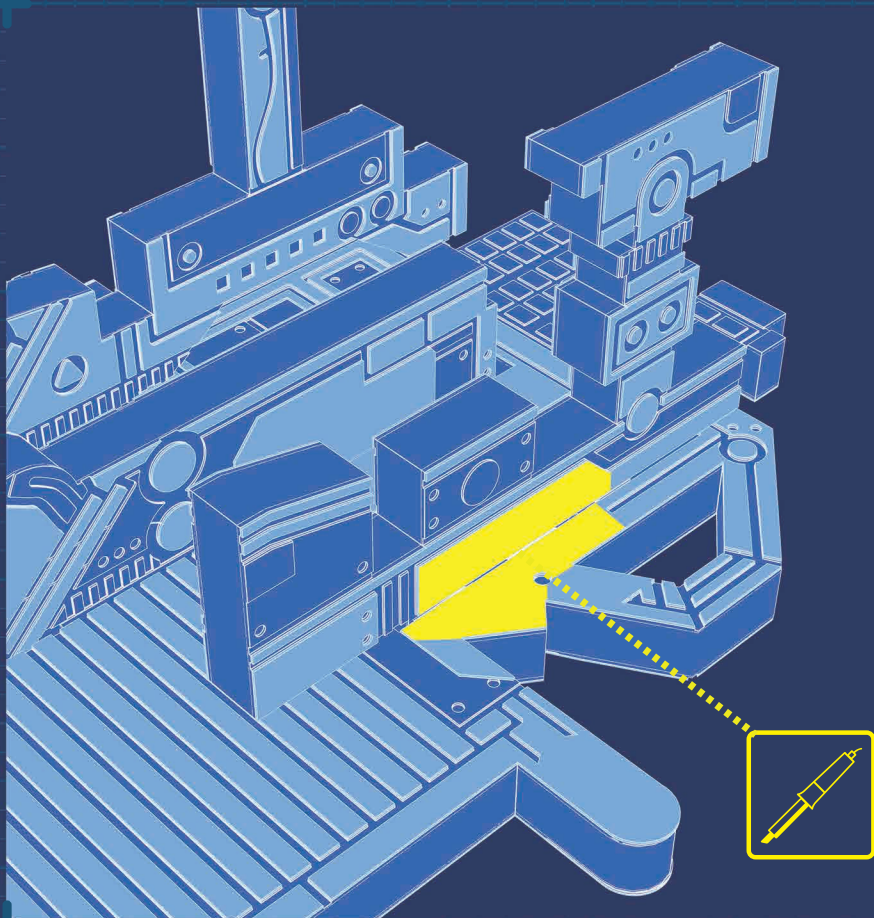


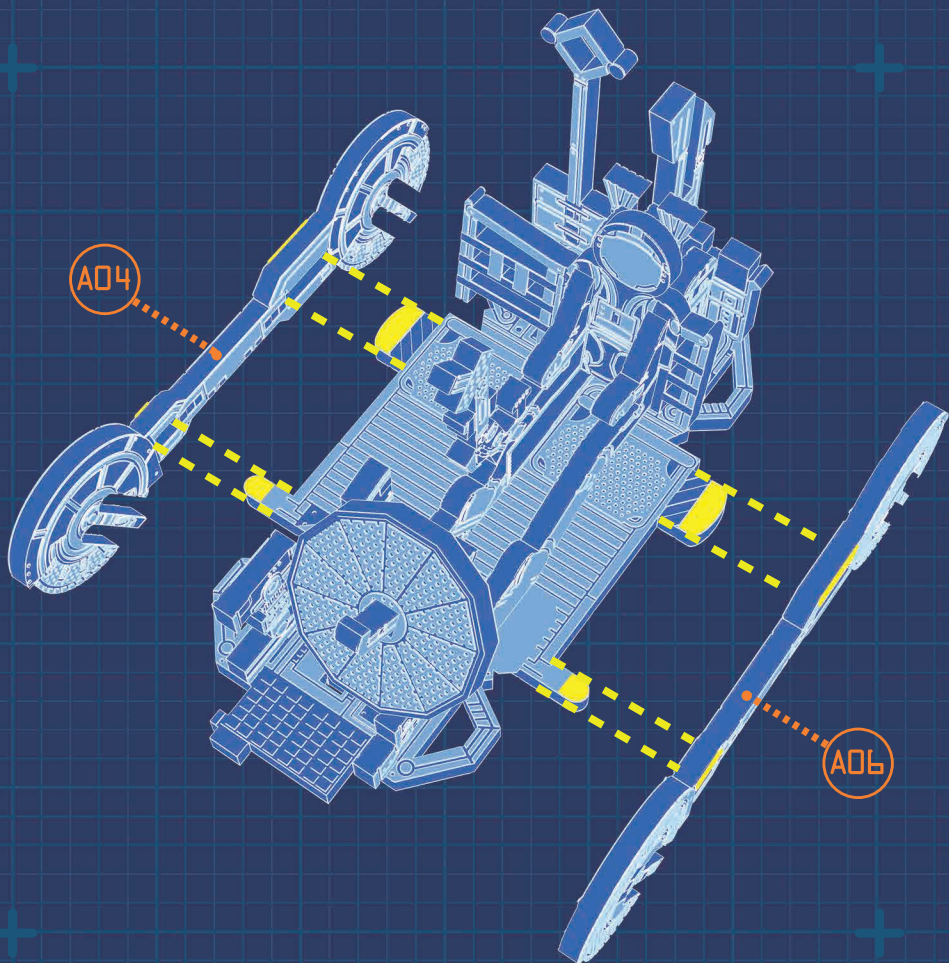


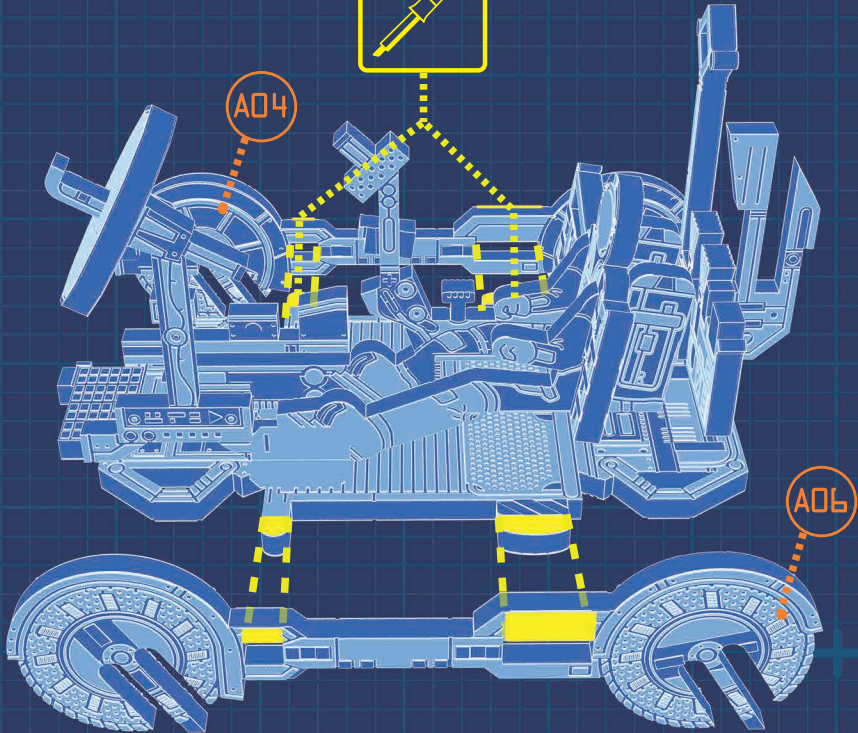
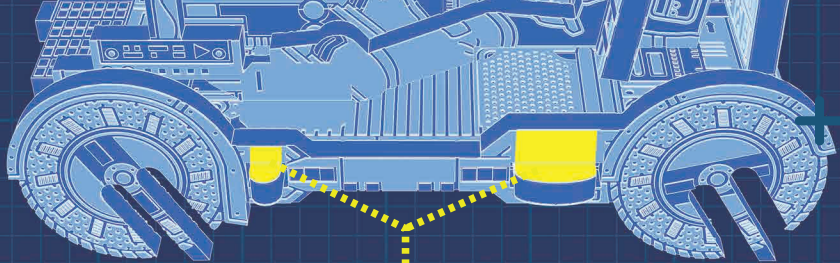


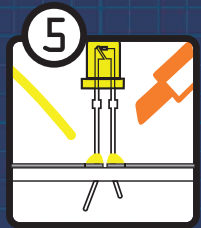
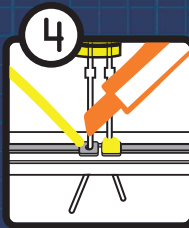
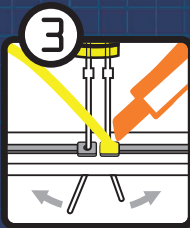
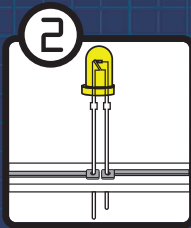
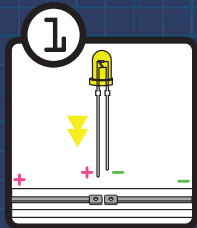
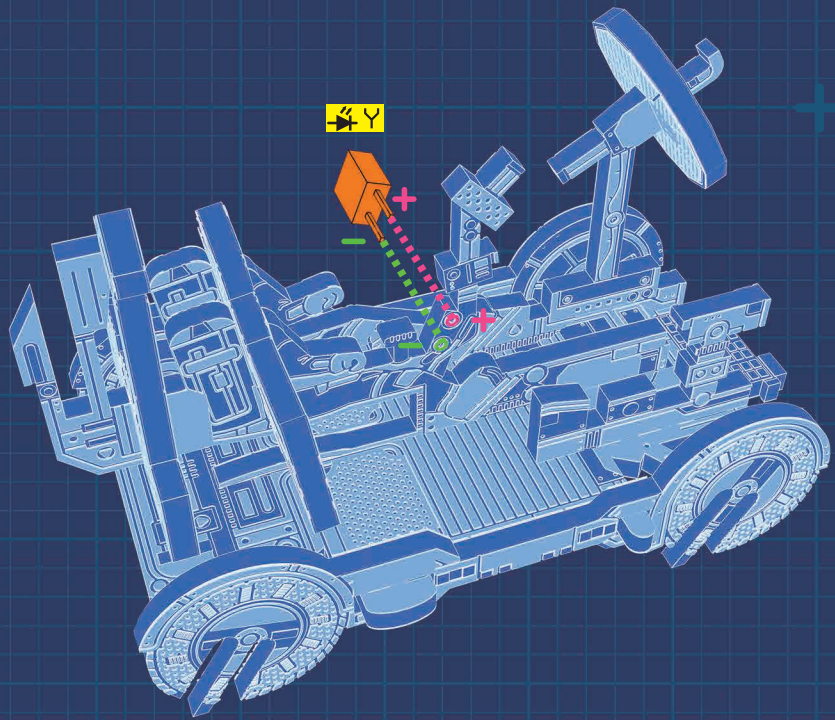


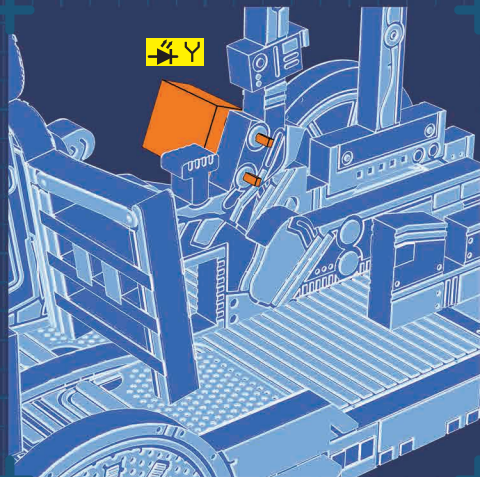
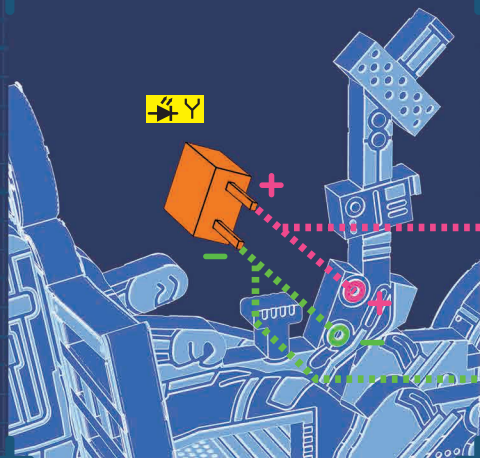










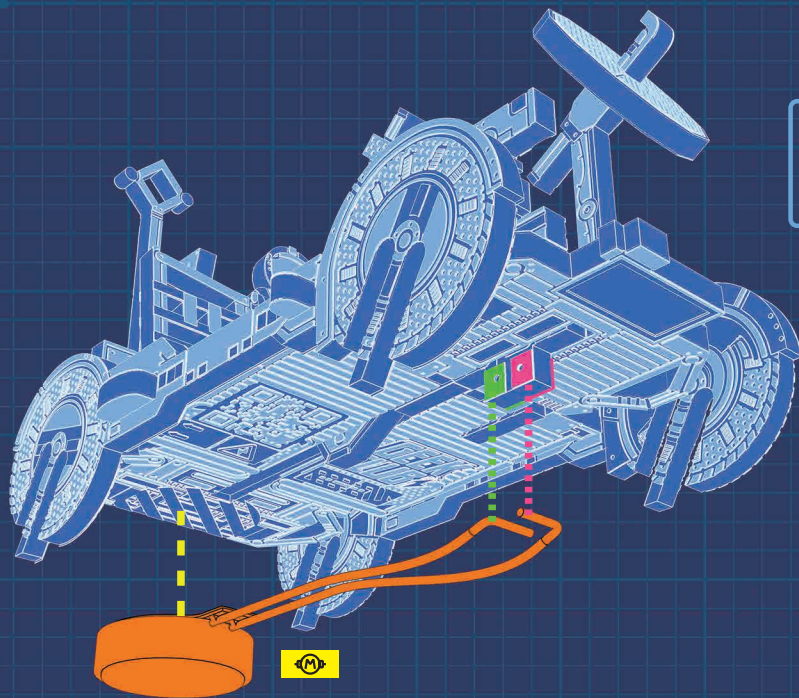


x1

LED TH 3mm
Through-Hole

YELLOW

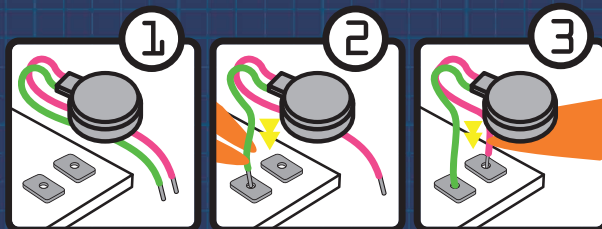
SCHEMATIC
IMAGE

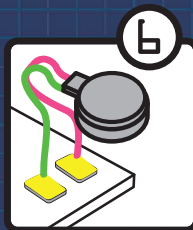
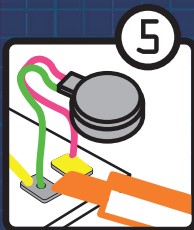
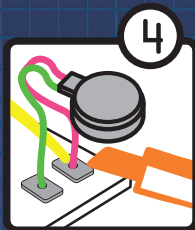
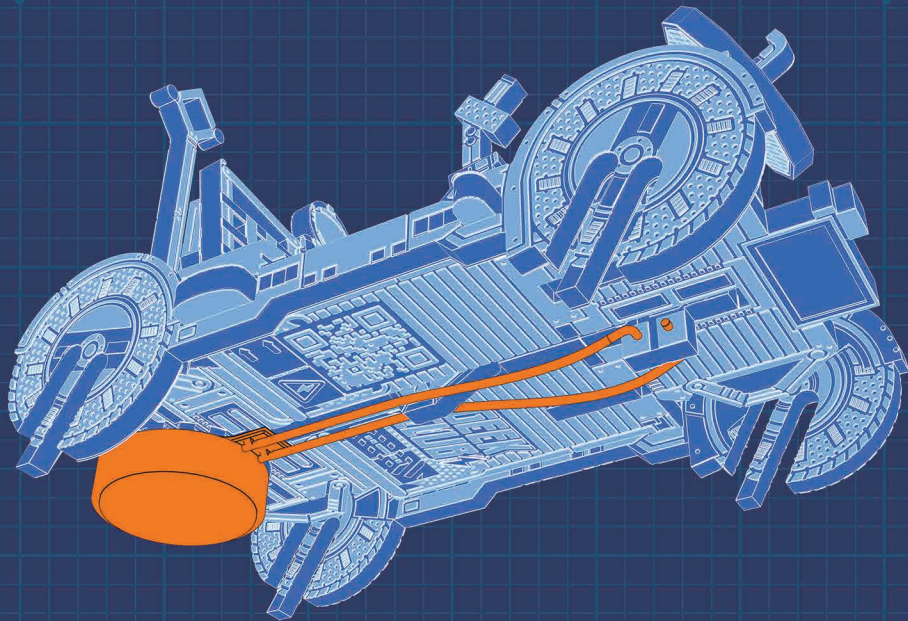




x1
VIBRATION MOTOR

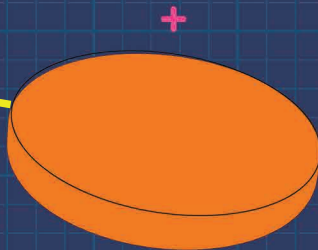
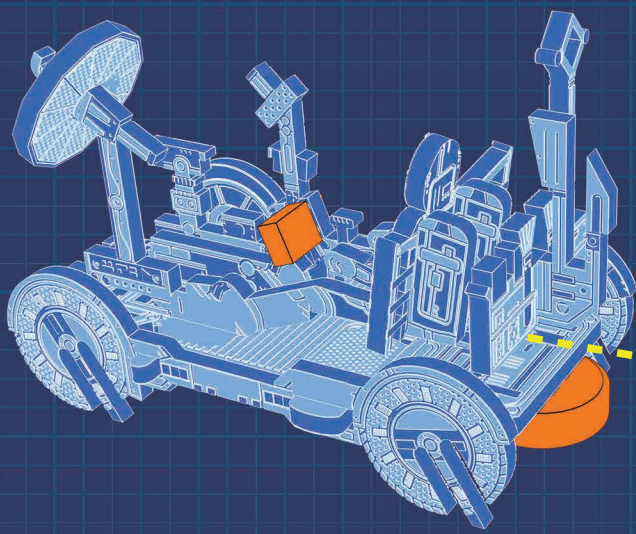
SCHEMATIC IMAGE 



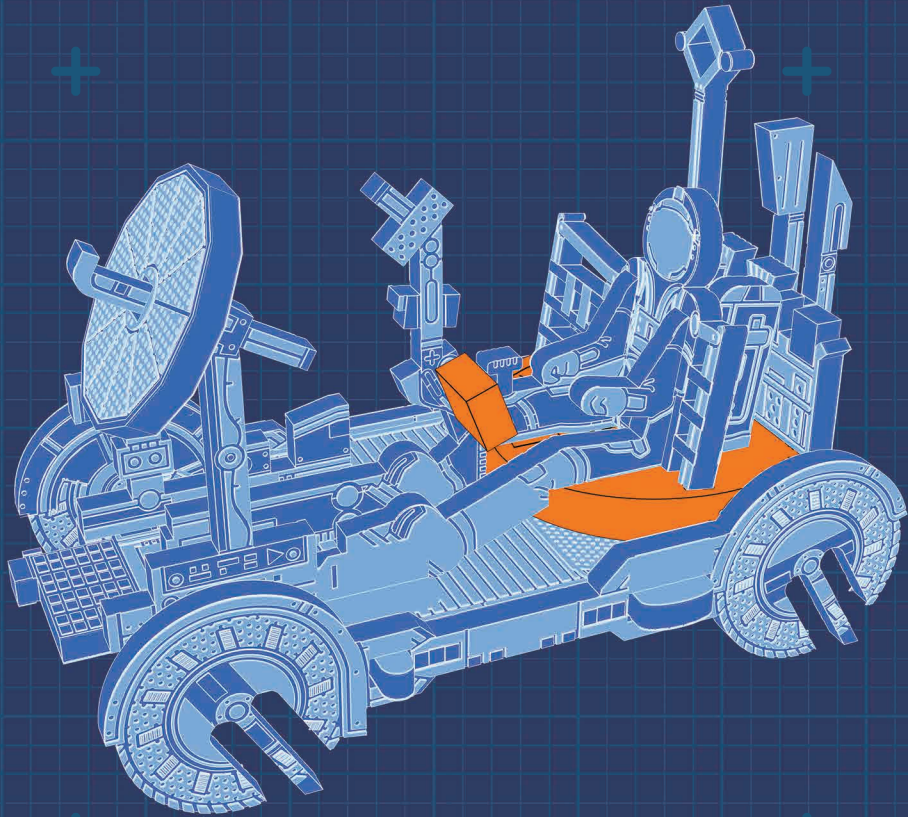




CR2032



CR2032



LIFT OFF