

# INSTALLATION MANUAL

PRODUCT: FRONT BUMPER  
MODEL: FORD RANGER (2011-2015, 2015-on)  
FORD EVEREST (2015-on)  
PART NO: 2D.1808.1.B-NL



## CAUTION!

To reduce the risk of serious injury or damage, please read and understand all instructions and procedures before attempting to install or use this product.  
Safety glasses must be worn at all times during installation or maintenance of this product.  
Ensure all mounting bolts are tensioned after 1000 kms and periodically there after.

## NOTICE

Whilst the bumper adds additional protection to your vehicle, precautionary measures still need to be taken to avoid damage.  
Always drive to the conditions and your surroundings.

**ADR69 COMPATIBLE**  
**IR BAG COMPLIANT**

## FRONT BUMPER

Part Number: 2D.1808.B.1-NL  
 Suited to vehicle: Ford Ranger 2011-2015  
 Ford Ranger 2015-  
 Ford Everest 2015-  
 Material: Aluminum / steel  
 Dimensions: 1950 x 750 x 450 mm  
 Weight: 45 kg  
 Compatibility: RIVAL 1841.1 Underbody Armour



## SAFETY NOTICE

- \* The RIVAL Bumper is designed to compliment the use and design of the specified vehicle under conditions specified by the car manufacturer.
- \* While driving the vehicle at any speed, collision with any other vehicle, animal or object must always be avoided.
- \* Following any collision with any other vehicle, animal or object, the RIVAL Bumper and the vehicle must be inspected by a specialized or suitably qualified vehicle repairer for possible damage to the components and assemblies in order to confirm suitability for further use of the vehicle.
- \* It is strongly recommended that you do not operate a vehicle with a damaged bumper or its components. In the case of damage, please contact the nearest RIVAL dealer.
- \* The operation of a vehicle where the bumper is not properly attached and fastened to the vehicle, or where the bumper has been damaged, is extremely dangerous and must be avoided at all cost.
- \* It is recommended that you carry out regular inspections of all the bumper elements such as all bolts, wires, connectors.

## INSTALLATION NOTICE

- \* The RIVAL Bumper must be mounted and affixed to the vehicle according to this installation manual.
- \* Personal safety during the installation process must be adhered to at all times and the use of personal safety equipment is highly recommended.
- \* When installing the bar on the Ford Everest 07/15 on, you will need to purchase the following 4 retainers are from Ford, they are used to hold in the factory parking sensors: EB3T15A861BBA Retainer | EB3T15A862BBA Retainer  
 EB3T15A864BBA Retainer | EB3T15A863BBA Retainer

## REQUIRED TOOLS

- \* Basic tool kit
- \* Electric drill
- \* Angle grinder
- \* Drill set
- \* Torque wrench
- \* Knife
- \* Marker

## TORQUE SETTING

- \* M6 9 Nm \*
- M10 44 Nm

### \*ADR69 AND AIR BAG SYSTEM

The RIVAL Bumper has been tested and certified to be compatible with ADR69 and will not affect the operation of the Air bag System on this vehicle.  
 This product or mounting brackets must not be modified in any way, and must be fitted in accordance with the installation instructions.

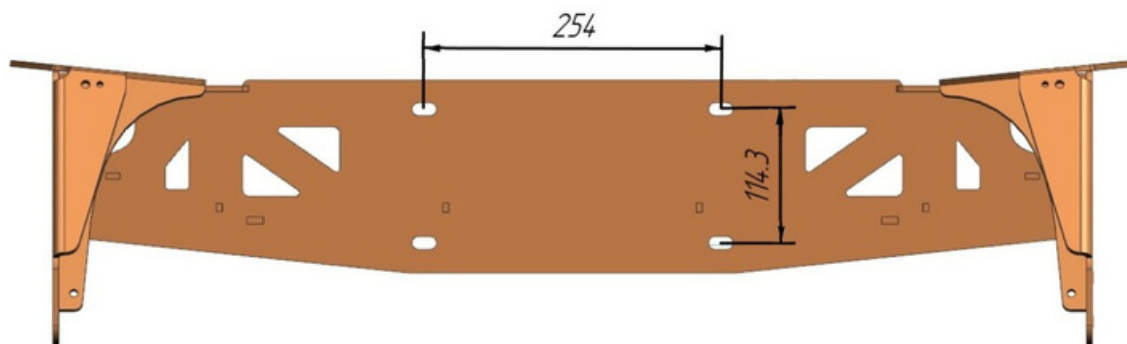
## IMPORTANT NOTE

If the FRONT Bumper is to be colour coded it is the installers responsibility to check the fitment and alignment of the Bumper to the vehicle before painting is done. It is the painters responsibility to ensure that the Bumper is correctly prepared and high filled to achieve a quality finish. RIVAL is not liable for any costs associated with colour coding, or fitment issues post colour coding.

\*WINCH INSTALLATION

A winch with a pull capacity of up to 12000 lb can be installed with the RIVAL Bumper. It is not advisable to exceed this pulling capacity since damage, injury or death may occur where the 12000lb recommended capacity is exceeded. There is a special license plate holder supplied with the bumper which will provide access to the winch.

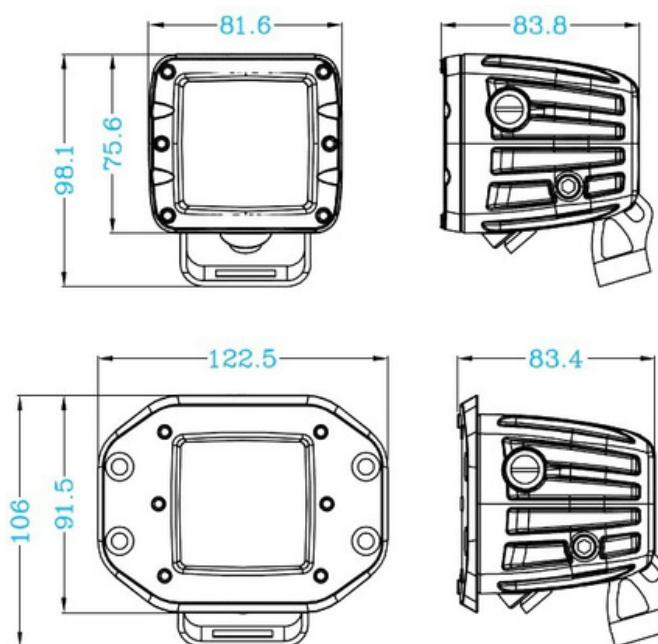
Winch measurements:



Winch size limits:

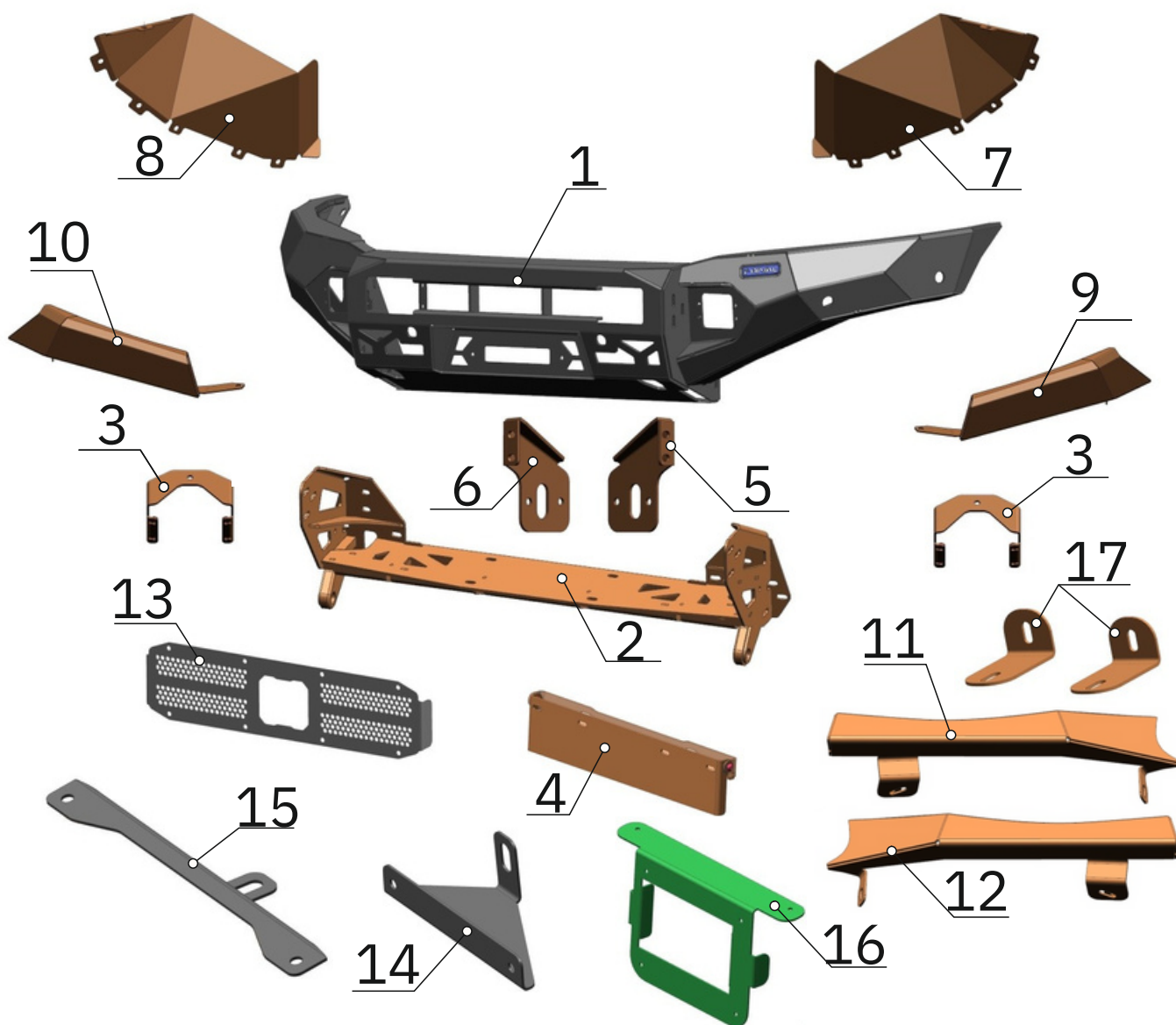
L 600 mm x W 190 mm x H 240 mm

Compatible with LED size below:

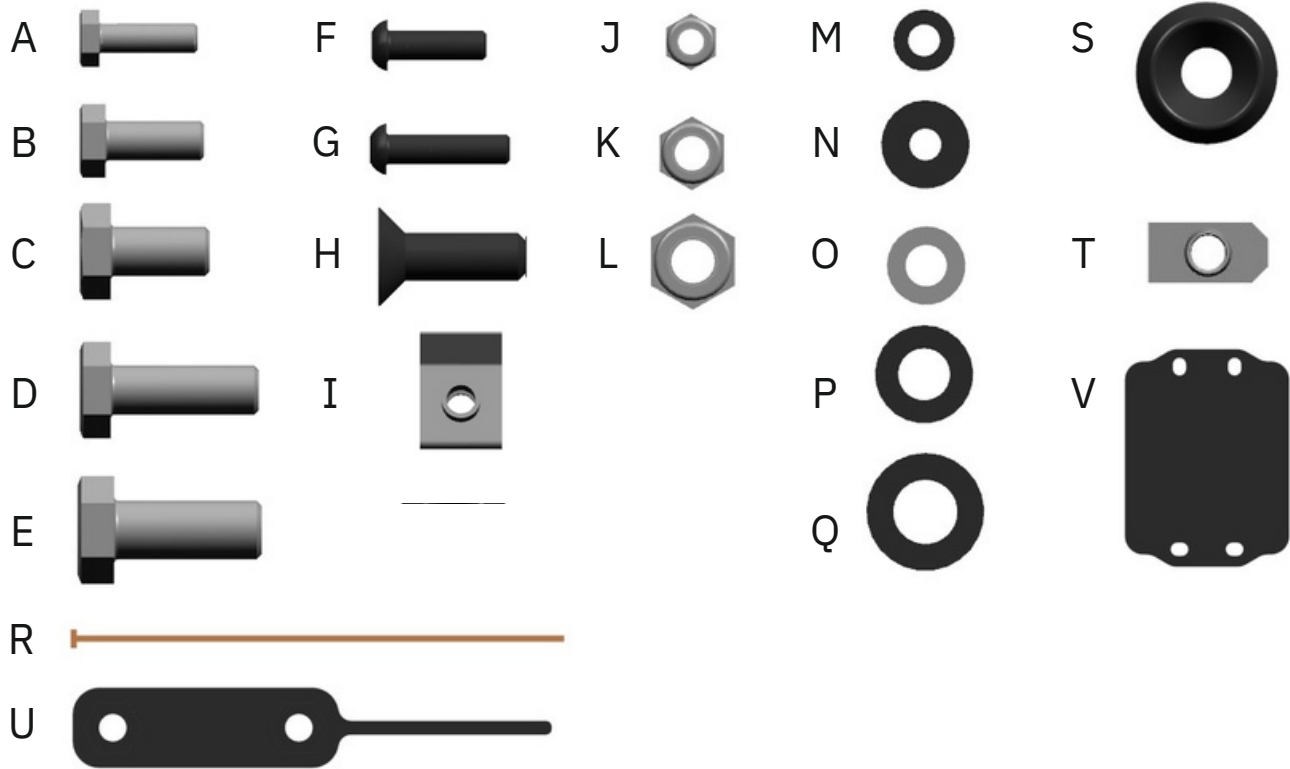




|                                  |       |
|----------------------------------|-------|
| 1. Aluminum bumper body.....     | 1 pc. |
| 2. Winch bracket.....            | 1 pc. |
| 3. LED bracket.....              | 2 pc. |
| 4. License plate.....            | 1 pc. |
| 5. Left adjusting plate.....     | 1 pc. |
| 6. Right adjusting plate.....    | 1 pc. |
| 7. Left flap.....                | 1 pc. |
| 8. Right flap.....               | 1 pc. |
| 9. Left under light panel.....   | 1 pc. |
| 10. Right under light panel..... | 1 pc. |
| 11. Left panel.....              | 1 pc. |
| 12. Right panel.....             | 1 pc. |
| 13. Decoration pad.....          | 1 hc. |
| 14. Bracket N° 1.....            | 1 hc. |
| 15. Bracket N° 2.....            | 1 hc. |
| 16. Template.....                | 1 pc. |
| 17. Panel bracket.....           | 2 pc. |







|    |                                 |        |
|----|---------------------------------|--------|
| A. | Bolt M6x20.....                 | 2 pc.  |
| B. | Bolt M8x20.....                 | 1 pc.  |
| C. | Bolt M10x20.....                | 1 pc.  |
| D. | Bolt M10x30.....                | 16 pc. |
| E. | Bolt 12x30.....                 | 4 pc.  |
| F. | Screw M6x20 round-head.....     | 35 pc. |
| G. | Screw M6x25 round-head.....     | 10 pc. |
| H. | Screw M10x30 countersunk-head.. | 6 pc.  |
| I. | U-nut M6.....                   | 16 pc. |
| J. | Nut M6.....                     | 16 pc. |
| K. | Nut M8.....                     | 1 pc.  |
| L. | Nut M10.....                    | 19 pc. |
| M. | Washer 6.....                   | 24 pc. |
| N. | Washer penny 6.....             | 18 pc. |
| O. | Washer 8.....                   | 2 pc.  |
| P. | Washer 10.....                  | 28 pc. |
| Q. | Washer 12.....                  | 4 pc.  |
| R. | Plastic ties.....               | 10 pc. |
| S. | Countersunk washer.....         | 6 pc.  |
| T. | Insert nut M10.....             | 2 pc.  |
| U. | Insert nut M12.....             | 2 pc.  |
| V. | Lamp plug.....                  | 2 pc.  |



1. Open the bonnet.
2. Disconnect the negative battery terminal cable.



3. Remove 3 screws from inside of the fenders on each side of the vehicle.

*\* Set aside for re-use later*



4. Remove 4 bolts.

*\* Set aside for re-use later*



5. Remove plastic plugs out of radiator grill.

*\* Set aside for re-use later*



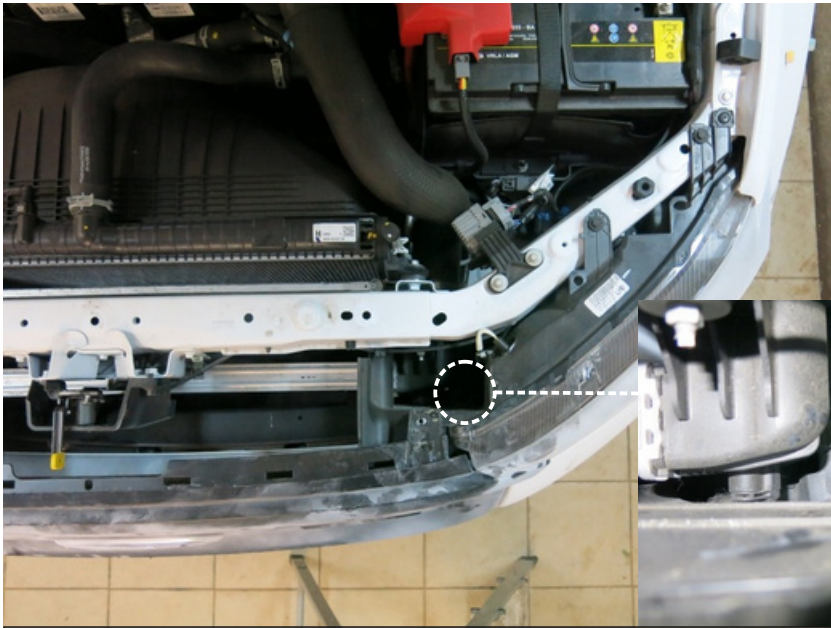
6. Pull the panel up and remove it.



7. Remove 2 bolts out of radiator grill.

*\* Set aside for re-use later*





8. Remove 2 bolts out of lower part of radiator grill, then remove radiator grill.

*\* Set aside for re-use later*



9. Remove plastic plugs out of the bumper.

*\* Set aside for re-use later*



10. Remove the bumper by pulling the bumper towards you holding the sides.



11. Remove plastic plugs out of the panel. Remove the panel.

*\* Set aside for re-use later*



12. Remove 2 bolts out of skid plate fitting.

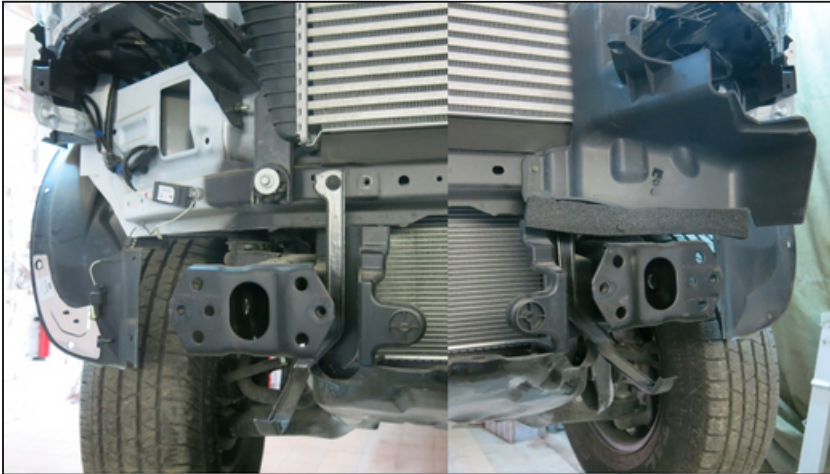
*\* Set aside for re-use later*



13. Remove 4 bolts out of front bumper bracket. Remove the bracket.

*\* Set aside for re-use later*



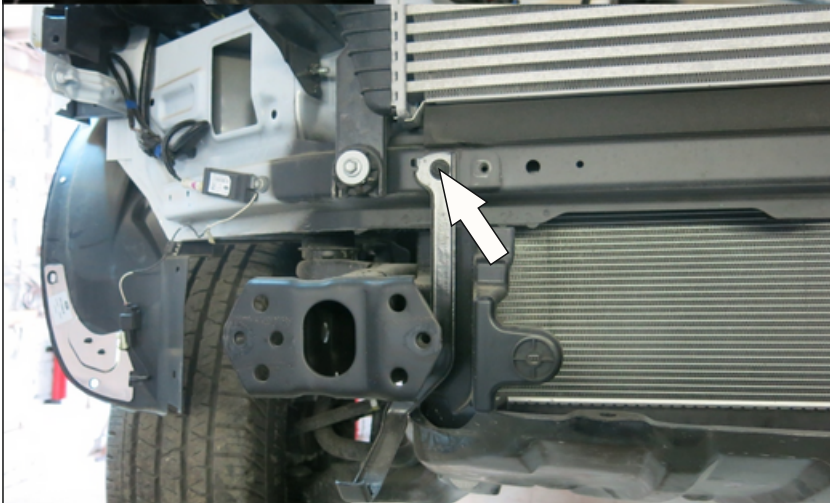


14. Remove plastic side elements.



15. Remove 3 bolts out of plastic brackets from both left and right sides of the vehicle.

*\* Set aside for re-use later*



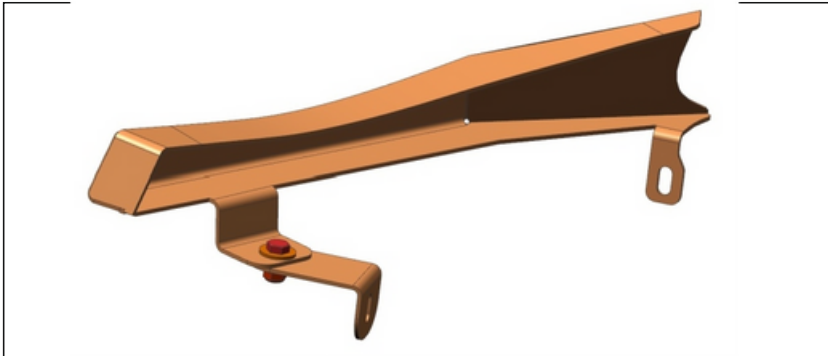
16. Remove the bolts, then remove the bumper panels.

*\* Set aside for re-use later*



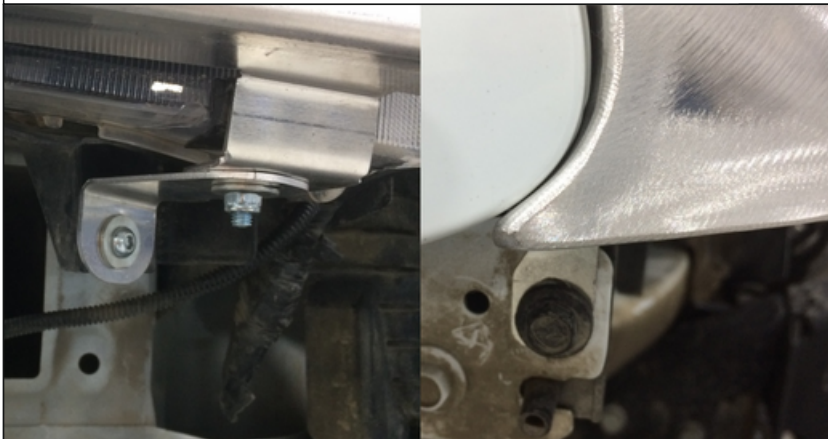


## Under light panel installation on PX1



17. Mount bracket (17) to panels (11, 12) as shown on the picture. Fix them with bolts M6x20 (A), nuts M6 (J) and washers penny 6 (N).

Do not tighten yet.



18. Install panel under headlight. Fix bracket under headlight. Fix them with screw M6x20 (F) and washers penny 6 (N).

19. Fix panel to body using OE bolt. Adjust position.

20. Tighten screws.



## Under light panel installation on PX2, PX3



21. Mount under light panels (9,10). Fix them with screw M6x20 (F), nuts M6 (J) and washers penny 6 (N).





22. Place insert nuts (U) into the chassis.



23. Install winch bracket (2) to the chassis. Fix it by bolts M10x30 (D), nuts M10 (L) and washers 10 (P).

Do not tighten yet.



24. Fix adjusting brackets (5, 6). Fix them to winch bracket by bolts M10x30 (D), nuts M10 (L) and washers 10 (P).

Temporarily fix adjusting bracket to insert nut M12 (U) through OE hole by bolt M12x30 (E) and washer 12 (Q).

Make a mark for drilling. Remove adjusting bracket, and drill 12mm diameter hole. Mount adjusting bracket (5, 6) back to its place.





25. Fix temperature sensor to the bracket.



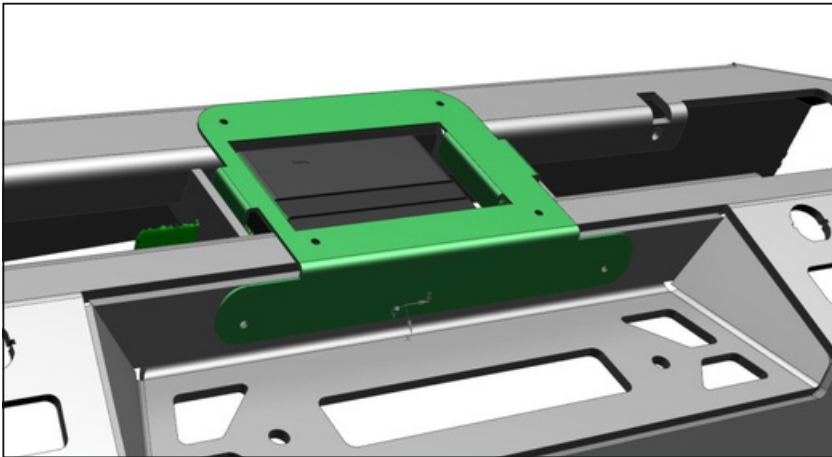
26. Place the winch to the bracket (2), and fix it with the bolts supplied with winch.



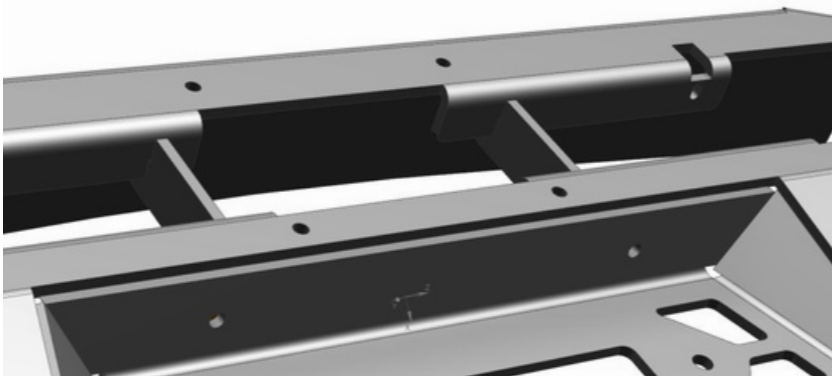
27. For Ranger with parking sensors:

Hammer the plug out and install parking sensors.

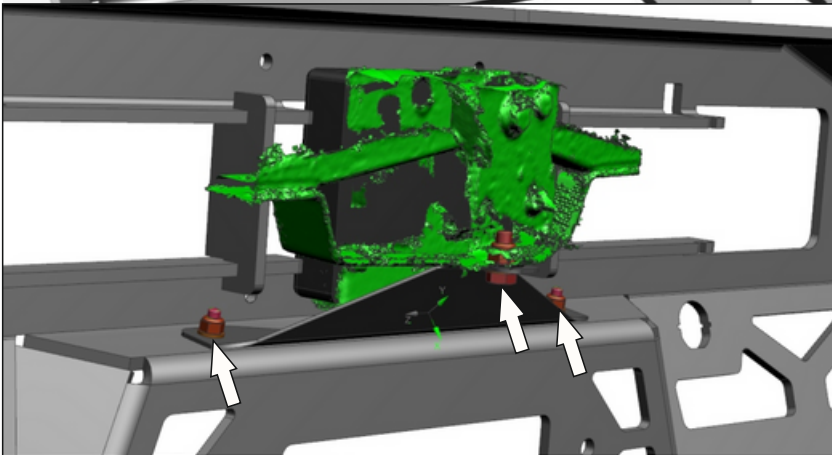
## Addapter installation on PX3



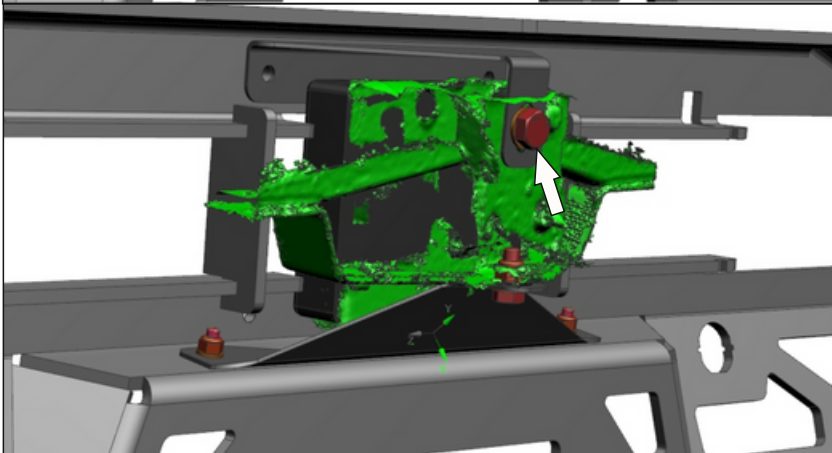
28. Install template (16), as shown. Mark the shape of cut out and prick 6 holes.



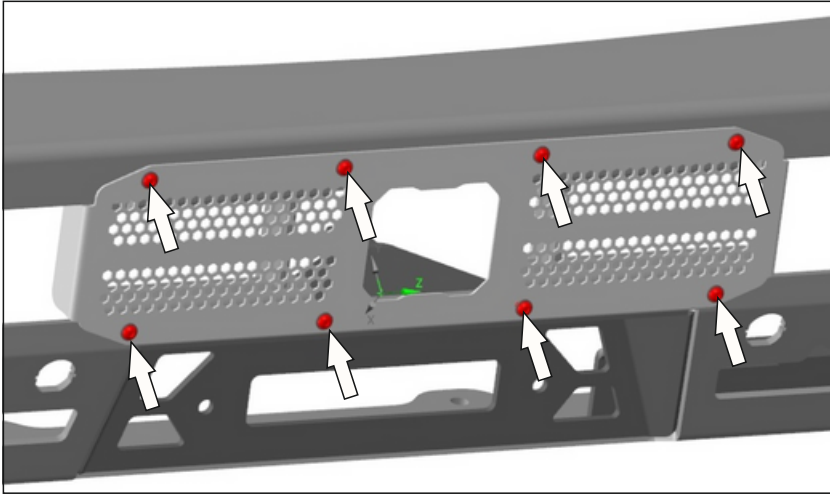
29. Cut the hole in bumper out, by follow the marked line  
Drill 6 pricked holes up to 8 mm



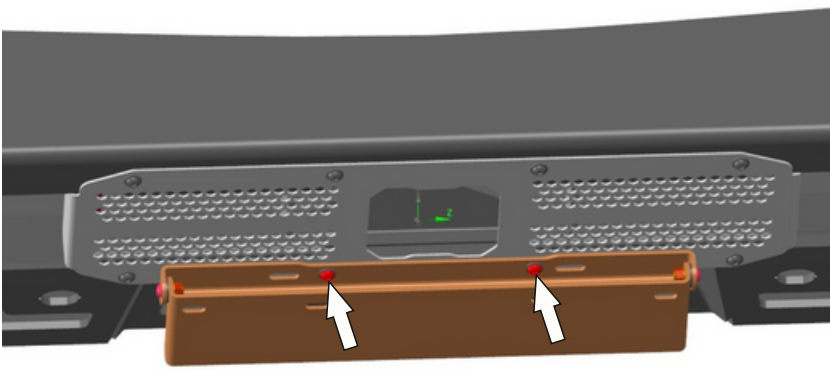
30. Install the radar and bracket N°2 (15) in bumper, using screws M6x25 (G), washers 6 (M), nuts M6 (J), bolt M8x20 (B), washers 8 (O), nut M8 (K), as shown.



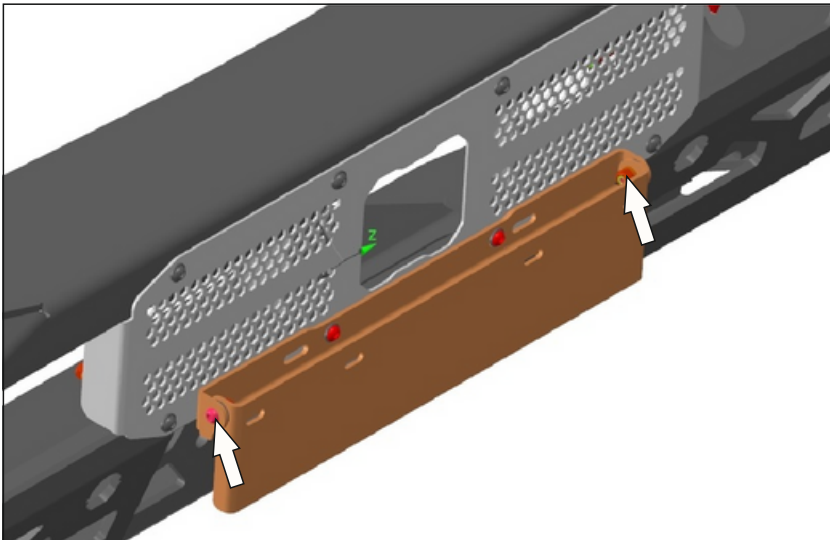
31. Fix the bottom part of radar using bracket N°1 (14), bolt M10x20 (C), washers 10 (P) and nuts M10 (L), as shown.



32. Install decorative pad (13), using screws M6x25 (G), washers 6 (M), nuts M6 (J), as shown.



33. Install license plate (4) using screws M6x25 (G), nuts M6 (J) and washers 6 (M).



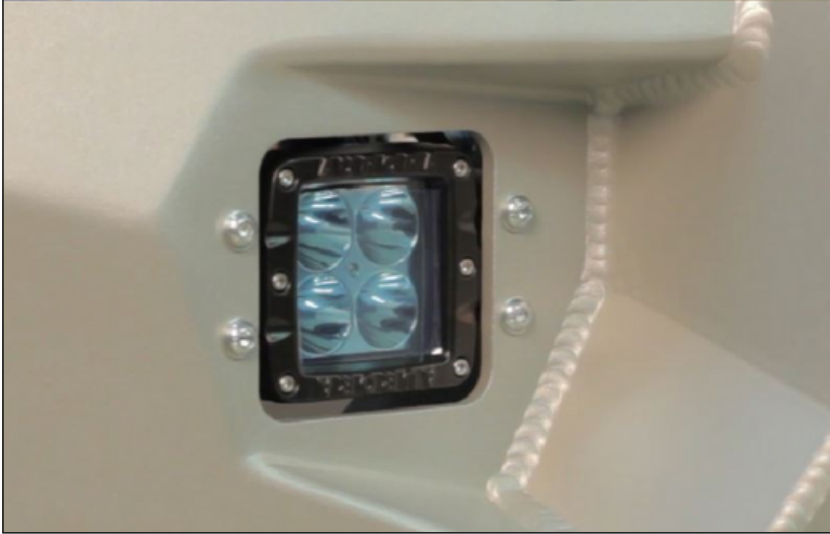
34. Adjust the angle of license plate. Tighten all connectors after that.





35. \* Mount LED lights into brackets (3). Tighten the joints.

\*LED lights are not supplied with bumper.



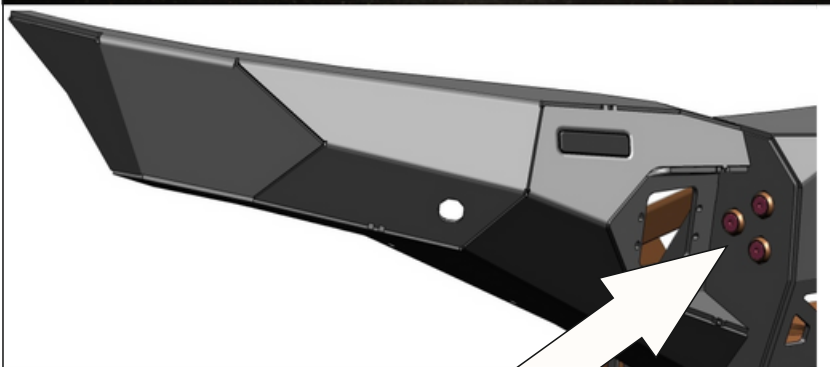
36. \* Install brackets (3) with LED lights onto the bumper using screw M6x20 (F) and washers 6 (M). Adjust to desired position.

\*LED lights are not supplied with bumper.



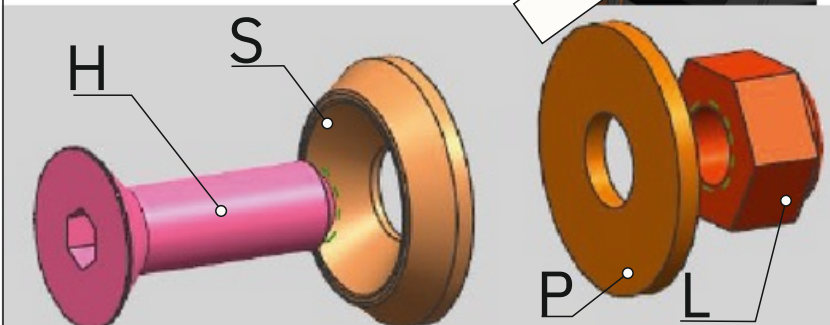
37. Install bumper body (1) onto the winch bracket (2). Fix its lower part to brackets using bolts M10x30 (D), insert nuts M10 (T) and washers 10 (P).

Do not tighten yet.



38. Place screw M10x30 (H) with countersunk washers (S) from both left and right sides as shown on the picture and secure with nuts M10 (L) and washers 10 (P).

Do not tighten yet.







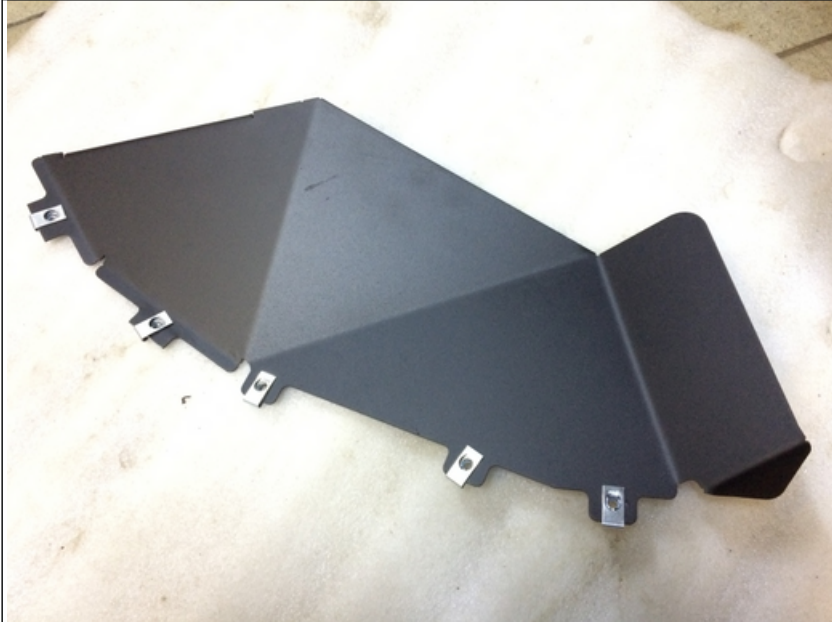
39. Adjust bumper until you have an equal gap between vehicle body and the bumper on both sides. Tighten bolts after that.



40. Place M6 U-nuts (I) to bumper body (1).



41. From right side, unstick antenna from the fender. Move antenna upper under the bar.



42. Place M6 U-nut (I) on left and right flaps (7, 8).



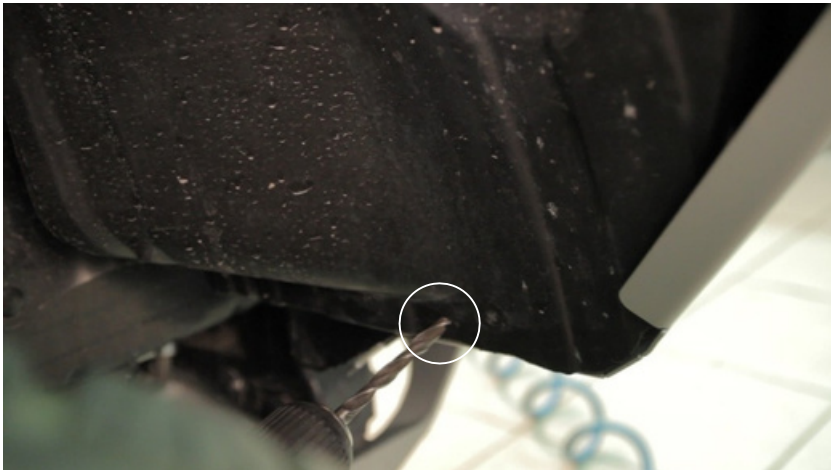


43. Install flaps (7, 8) using screw M6x20 (F) and washers 6 (M). Make sure the flaps are fixed inside of the bumper, not outside.



44. Push the flaps (7, 8) to OE plastic fenders and mark the cut line, then cut OE plastic fender.

\*It's easier to cut plastic fender when the flaps are not installed.

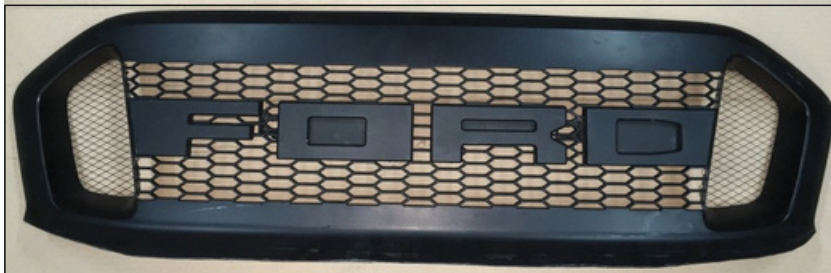


45. Mark a hole from inner side of the wheel fender from both left and right side of vehicle. Drill a 6-8 mm diameter hole.

Fix the flaps through these holes using bolts M6x20 (A) and washers 6 (M).



46. Cut radiator grill. First cut along the bend line. Then install the grill to the vehicle, and adjust the curve. Fix the grill after.





Before operating a vehicle fitted with a RIVAL Bumper:

- make sure all fittings are tightened
- check winch operation
- check all electrical wiring attached to lights

