



Your 4x4 Accessory Adventure Partner.

FITTING INSTRUCTIONS

XEB-NIS-02

XCAPE BAR

NISSAN NAVARA NP300



All EFS Bull bars have been tested and are airbag & ADR compliant.
ANY MODIFICATIONS TO THE bull bar or its mounts WILL VOID THIS
COMPLIANCY And warranty

BEFORE INSTALLATION

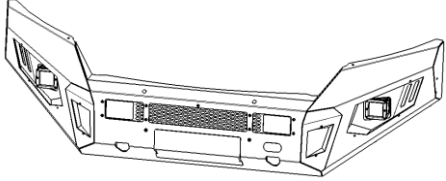
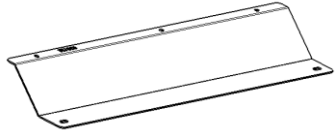


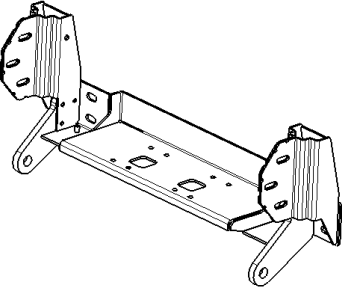
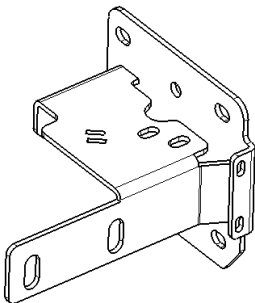
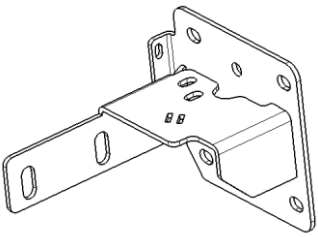
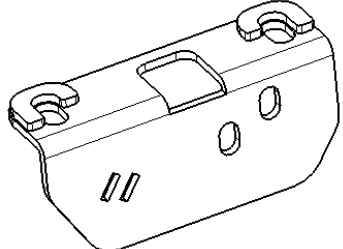
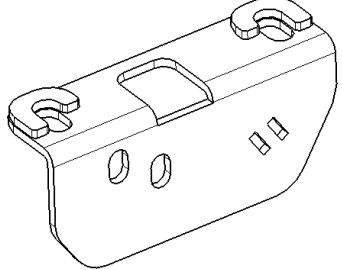
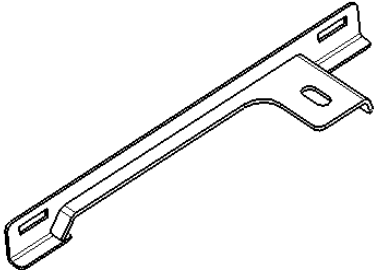
- Please read the instructions completely before installing. This will allow for easy installation and help to avoid scratches or other potential damages to the vehicle.
- images are for reference only and may differ slightly from the actual product you are installing. Whilst images may differ, they share the same assembly instructions.

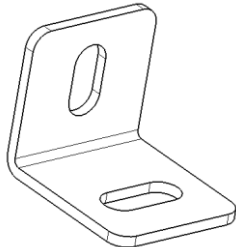
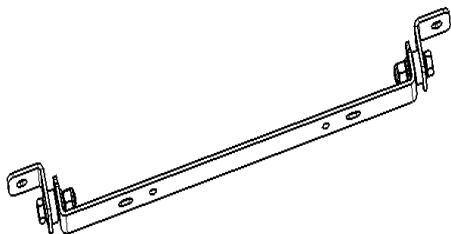
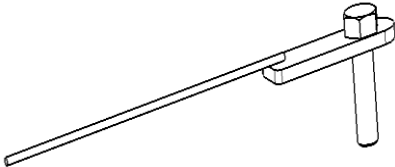
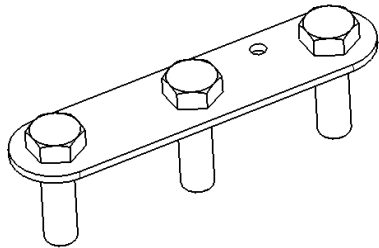
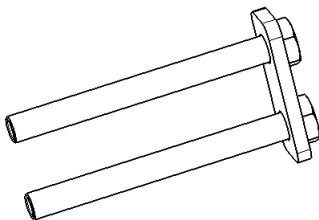



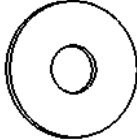
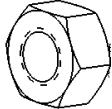
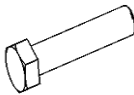
CARE & CLEANING

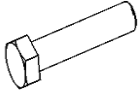

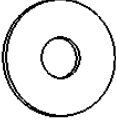
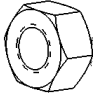

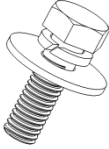





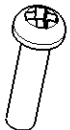
- Mild soap may be used to clean the bull bar.
- Check and retighten all the hardware regularly.

It is a condition of our warranty that Bullbar / Rearbars & Side rails / steps are installed by a suitably qualified installer. And is installed in accordance with accompanying installation instructions provided with item.

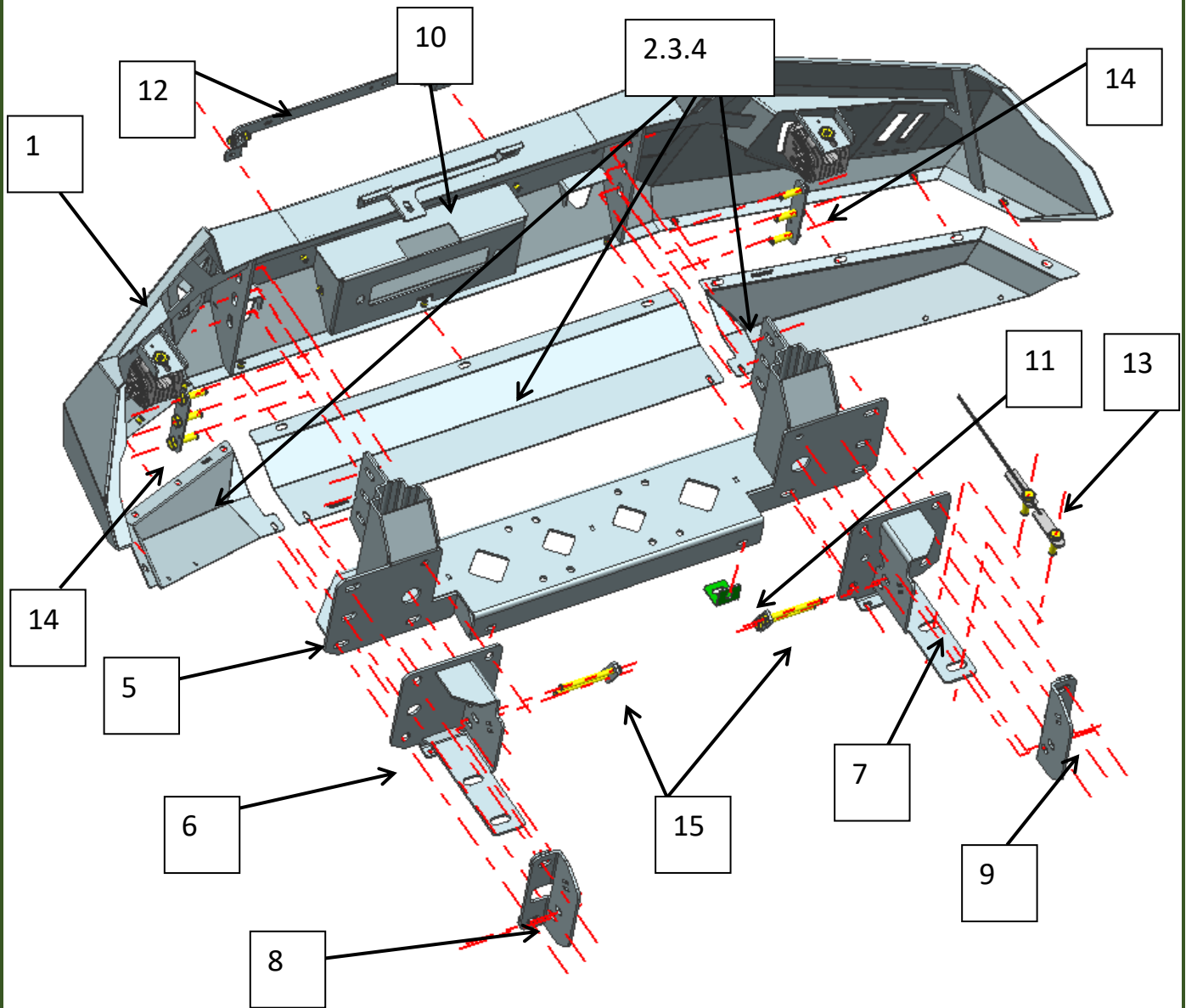
PARTS LIST

NO.	QTY	NAME	NO.	QTY	NAME
1	1	 Main bull bar assembly	2	1	 Central Skid plate
3	1	 Skid plate (L)	4	1	 Skid plate (R)
5	1	 Winch Frame	6	1	 Bracket 1 (L)
7	1	 Bracket 1 (R)	8	1	 Bracket 2 (L)
9	1	 Bracket 2 (R)	10	1	 Middle bracket

11	2	 Skid plate connecting bracket	12	1	 License bracket
13	2	 Shaped bolt	14	2	 Bolt plate 1
15	2	 Bolt plate 2	16	1	 LED wiring harness
17	6	 Wire ties			
Hardware list :					
18	16	 Spring Washer D12	19	24	 Non-standard washers D12_32_3
20	14	 Hex Nut M12	21	4	 Hex bolt(Full Thread) M12_35

22	4	 Hex bolt(Full Thread) M12_45	23	4	 Spring Washer D10
24	4	 Non-standard washers D10_24_2.2	25	4	 Hex Nut M10
26	5	 Hex Nut With Flange M8	27	5	 Hex Bolt & Washer Assembly M8_25
28	8	 Hex Nut With Flange M6	29	21	 Bolt & Washer Assembly M6_20
30	1	 Wrench S=4			
License bracket standard package:					
31	8	 Flag Washer D4	32	4	 Hex Nut M4
33	4	 Cross recessed pan head screws M4_16			

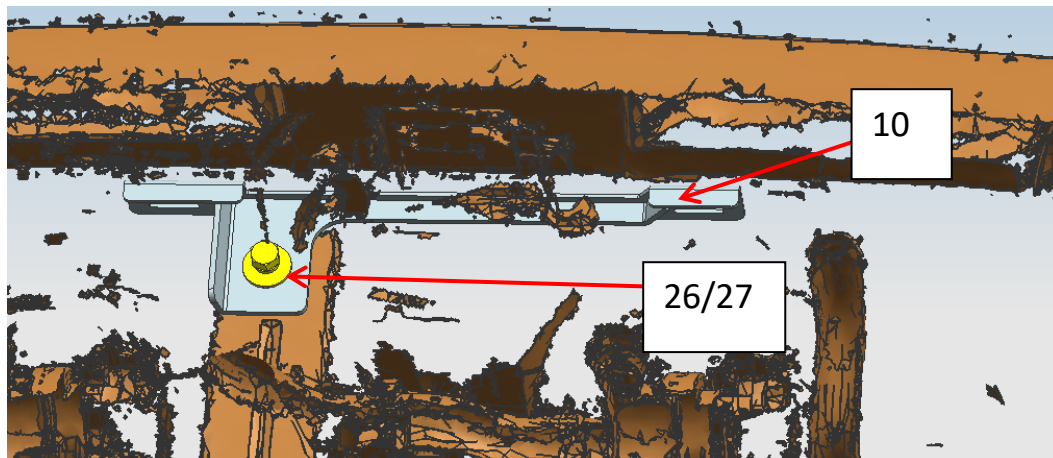
INSTALLATION FIG



INSTALLATION INSTRUCTIONS

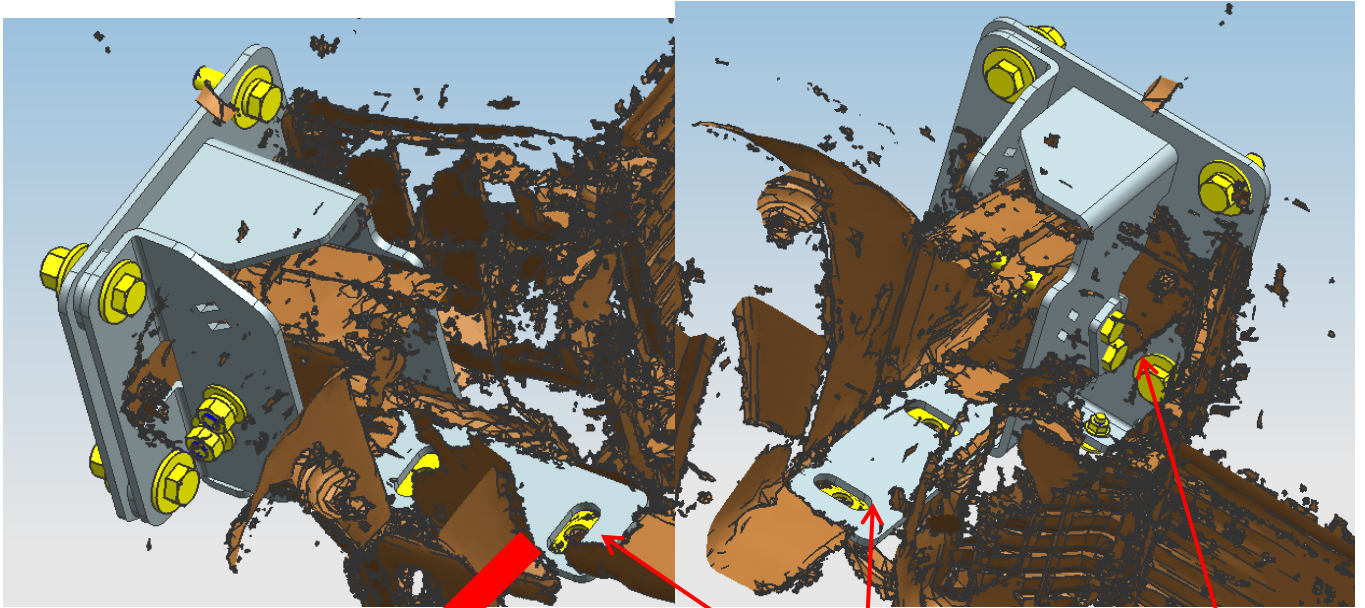
Step 1: Verify that all parts are present according to the manual. Remove the original front bumper and beam.

Step 2: Remove the original front bumper and connect 10 to the original bracket in the car.

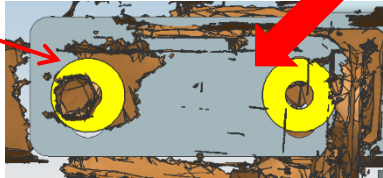


Step 3: Pre-installed 6/8 & 7/9 on both sides of the beam and fixed with standard parts . Left and right are the same.

LEFT:



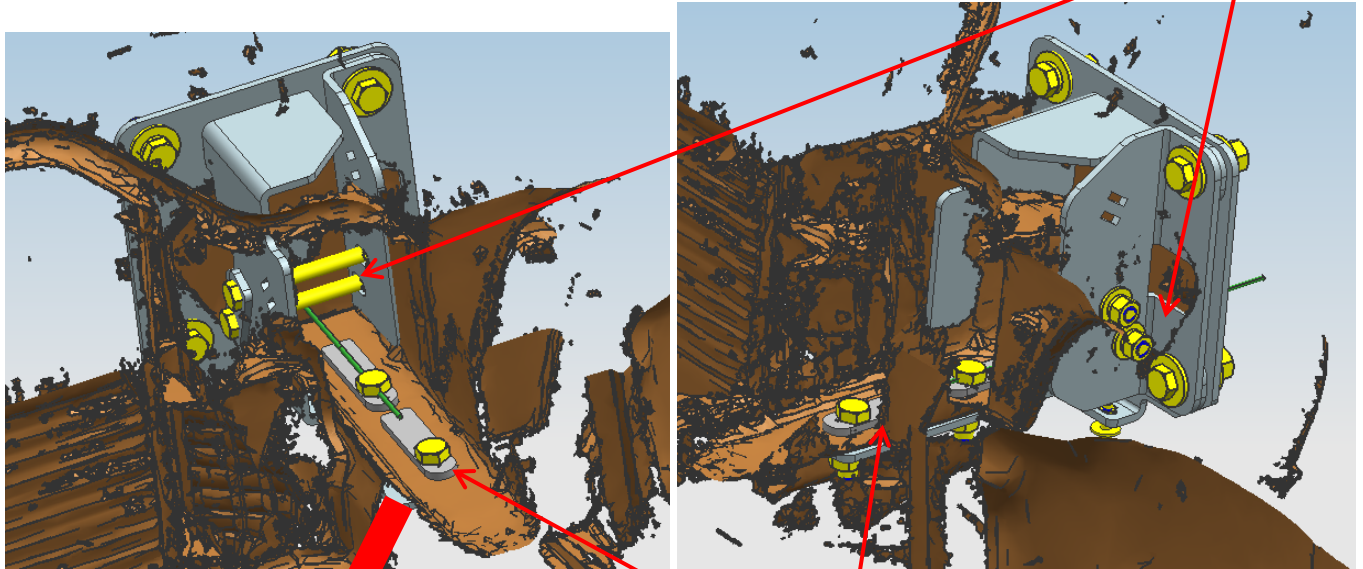
19



▲ Use original standard

15/23/24/25

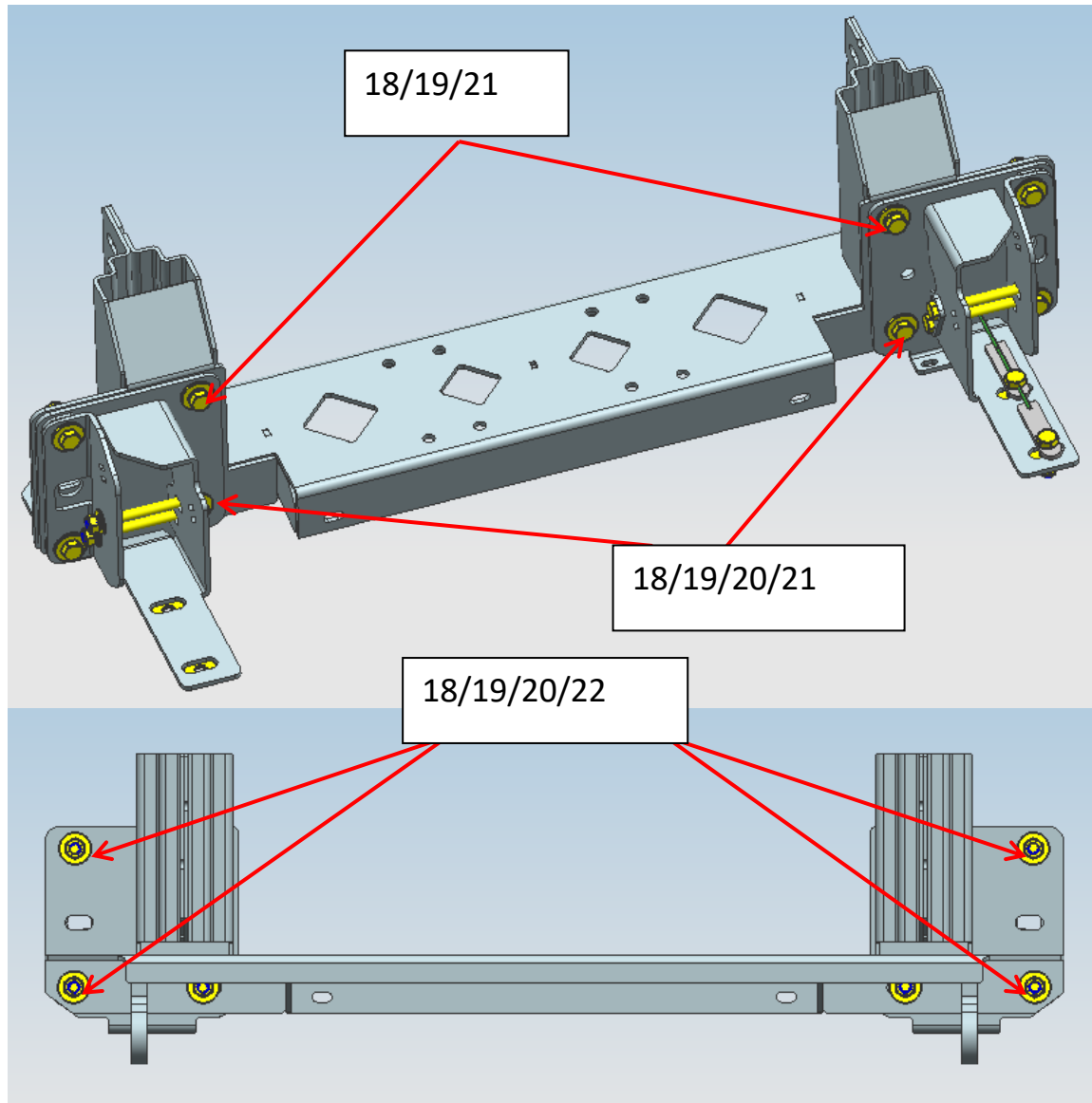
RIGHT:



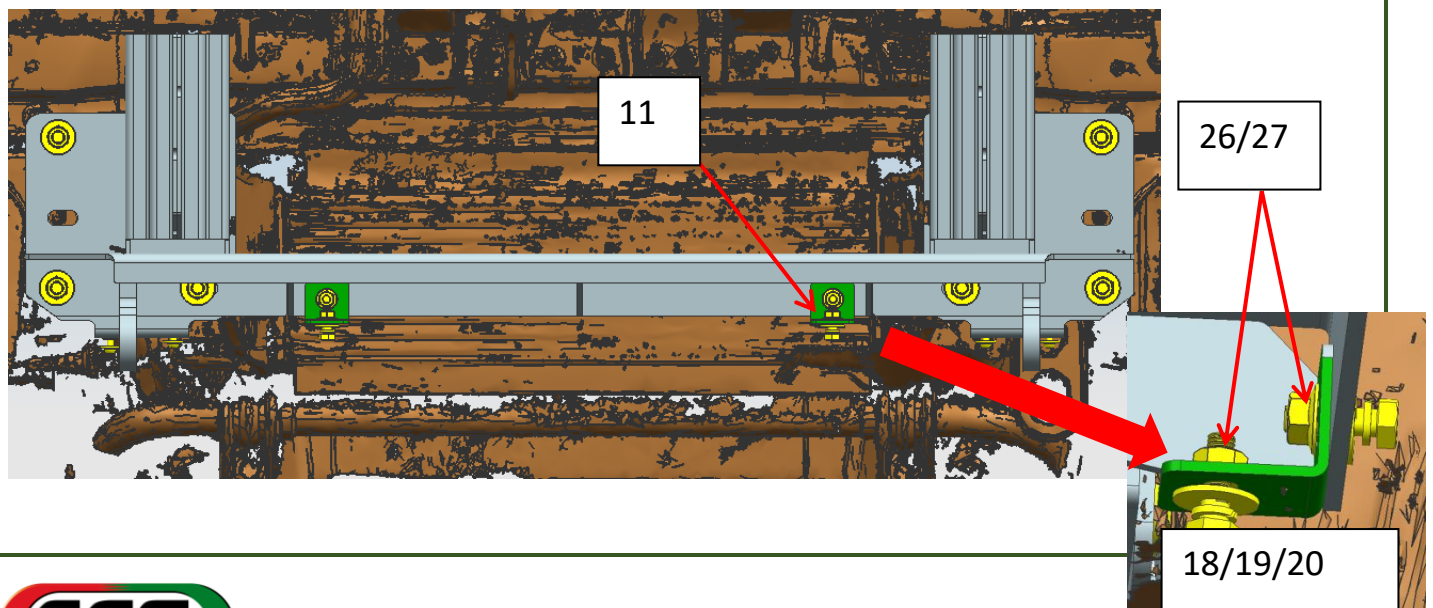
13/18/19/20



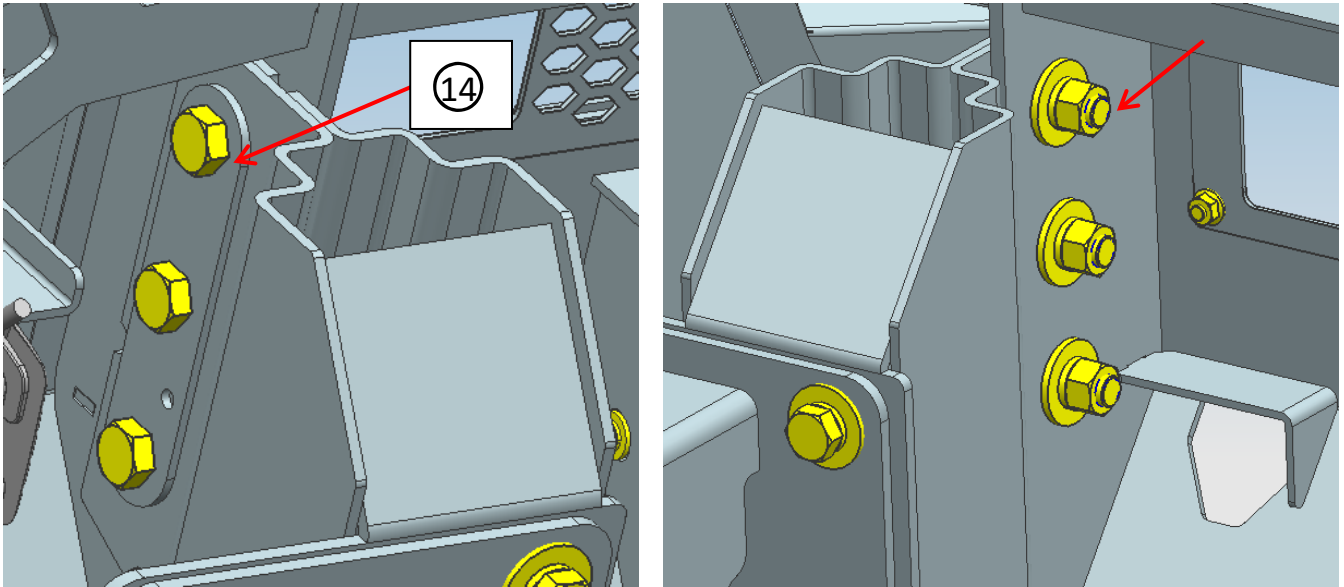
Step 4: Assemble 6/8 & 7/9 to the 5 winch Frame as shown in following instruction:



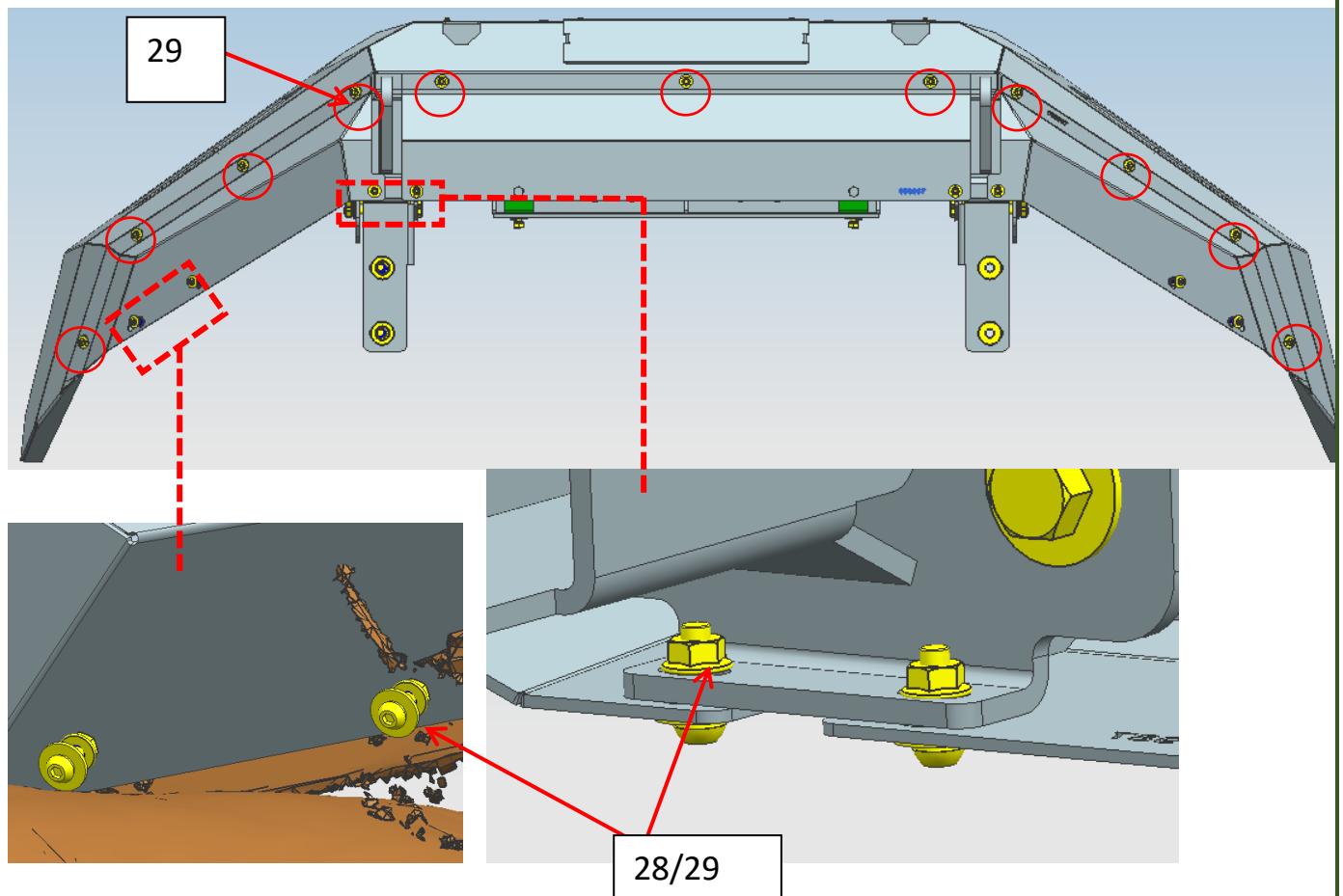
Step 5: Assemble 5/11 to the original car as shown in following instruction:



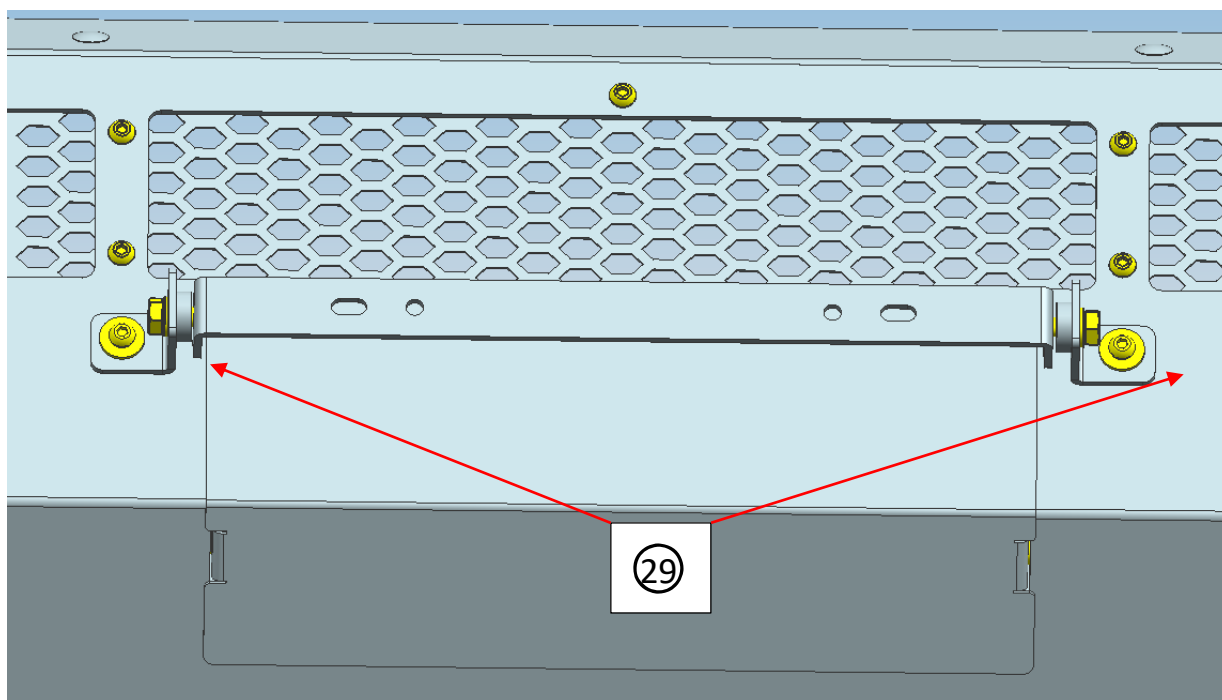
Step 6: Assemble the 5 on the bumper assembly by 14 as shown in following instruction:



Step 7: Fix the 2/3/4 on the bumper assembly by standard parts:
Install 3/4 on the corresponding hole of the vehicle by 29.
Install 2 on the 6/7/8/9 by 28/29. Left and right the same.



Step 8: Assemble the 12 on the bumper assembly by 29.



Step 8: Test and make sure that the guard is steadily fixed, fully tighten all hardware.

Step 9: Installation is finished, pick up all tools.

NOTE

Any damages or loss caused by the improper installation and use of EFS Accessories will not be covered by warranty.

Please ensure you leave sufficient spacing between bullbar and guards

