



Your 4x4 Accessory Adventure Partner.

FITTING INSTRUCTIONS

XEB-NIS-01

XCAPE BAR

NISSAN NAVARA NP300



All EFS Bull bars have been tested and are airbag & ADR compliant.
ANY MODIFICATIONS TO THE bull bar or its mounts WILL VOID THIS
COMPLIANCY And warranty

BEFORE INSTALLATION

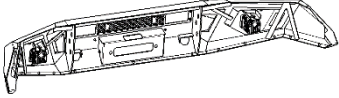
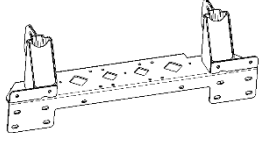
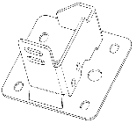
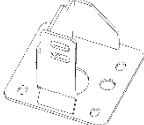


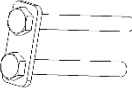

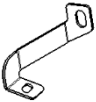
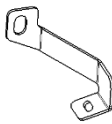
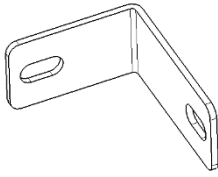

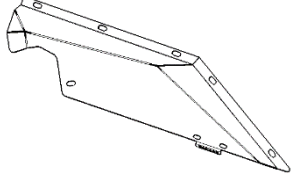
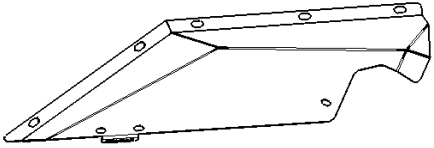
- Please read the instructions completely before installing. This will allow for easy installation and help to avoid scratches or other potential damages to the vehicle.
- images are for reference only and may differ slightly from the actual product you are installing. Whilst images may differ, they share the same assembly instructions.

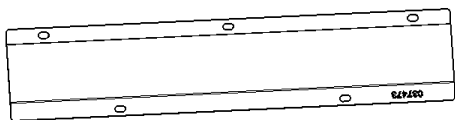

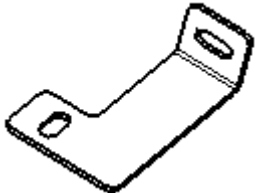

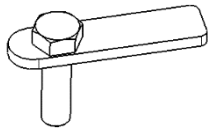
CARE & CLEANING

- Mild soap may be used to clean the bull bar.
- Check and retighten all the hardware regularly.

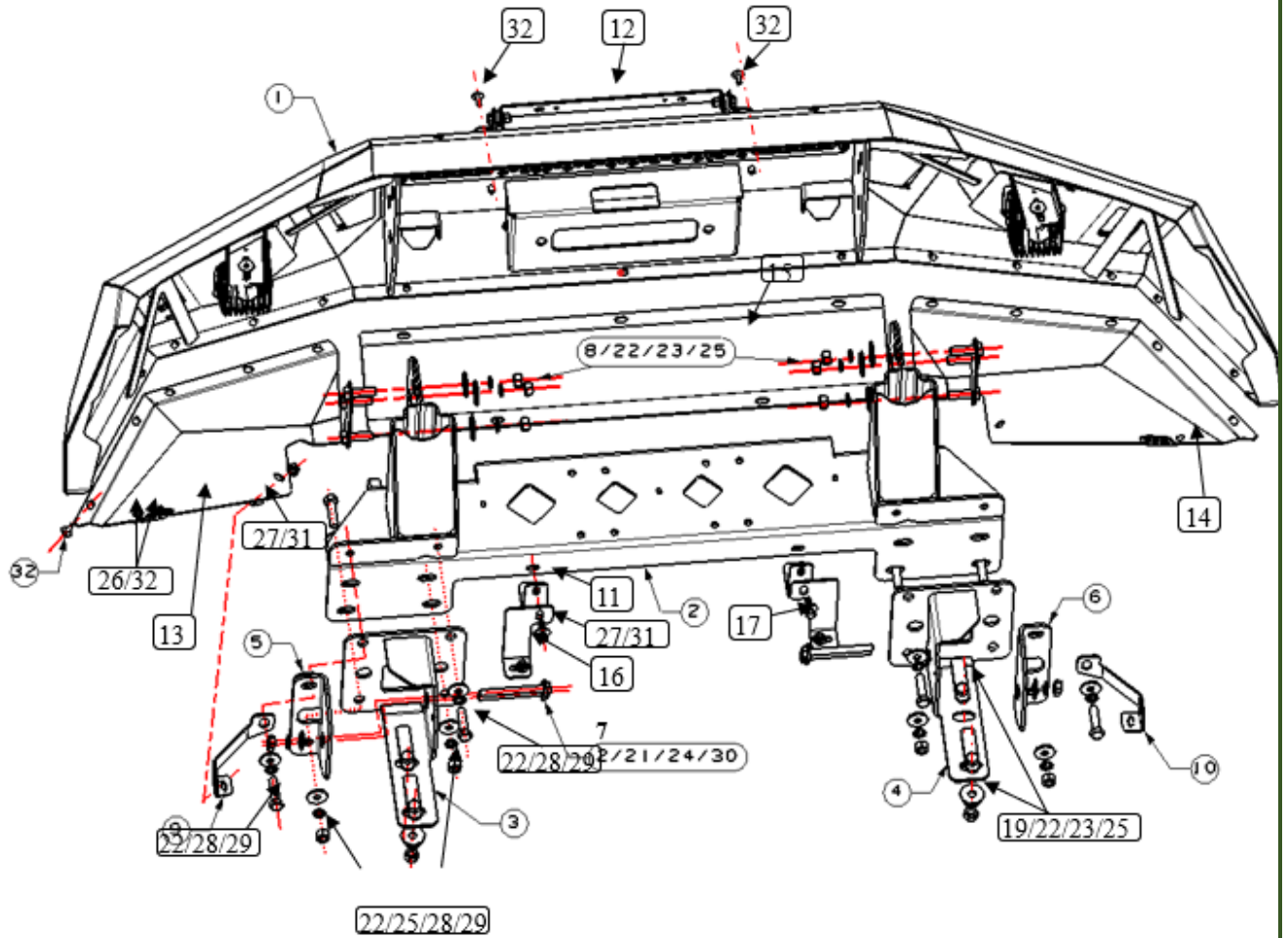
It is a condition of our warranty that Bullbar / Rearbars & Side rails / steps are installed by a suitably qualified installer. And is installed in accordance with accompanying installation instructions provided with item.

PARTS LIST

NO.	QTY	NAME	NO.	QTY	NAME
①	1	 Main bull bar assembly	②	1	 Winch frame
③	1	 Bracket-1 (L)	④	1	 Bracket-1 (R)
⑤	1	 Bracket-2 (L)	⑥	1	 Bracket-2 (R)
⑦	2	 M10-Welding bolts	⑧	2	 M12-Welding bolts
⑨	1	 Left skid plate connecting bracket (L)	⑩	1	 Right skid plate connecting bracket
⑪	2	 Central skid plate connecting bracket	12	1	 License plate mounting bracket
⑬	1	 Side skid plate(L)	⑭	1	 Side skid plate(R)

⑮	1	 Center skid plate	⑯	1	 Bash plate bracket
⑰	1	 Bash Plate bracket	⑱	4	 M12 PVC bolt block
⑲	4	 T-M12			
⑳	1	Allen wrench S=4	㉑	4	Spring washer D10
㉒	18	Spring washer D12	㉓	10	Large washer D12
㉔	4	Hex nut M10	㉕	14	Hex nut M12
㉖	4	Flange hex nut M6	㉗	8	Flange hex nut M8
㉘	8	Hex bolt M12_45	㉙	12	Washer D12_32_3
㉚	4	Washer D10_24_2.2	㉛	8	M8_25
㉜	19	M6_20			

INSTALLATION FIGURE



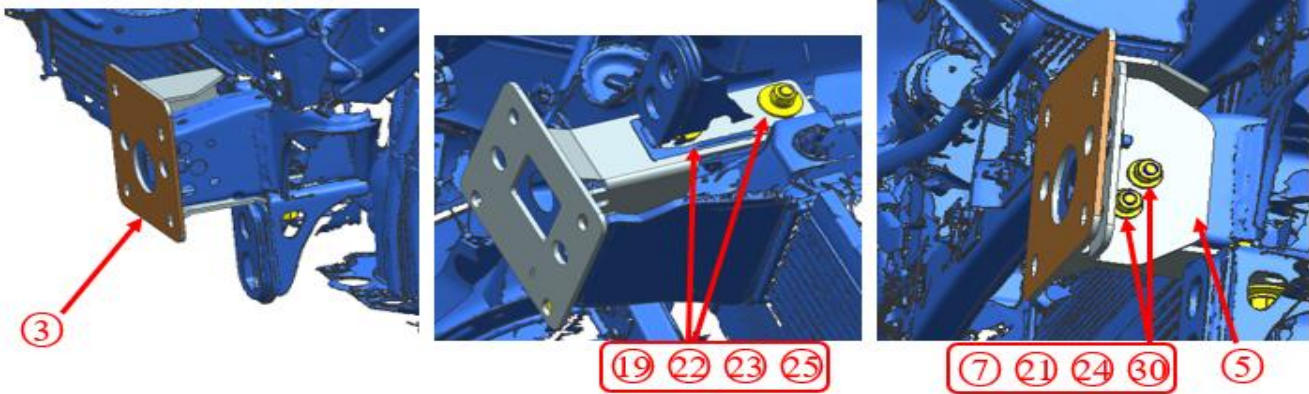
FITTING INSTRUCTIONS

Step 1: Verify that you have all parts as listed in parts list.

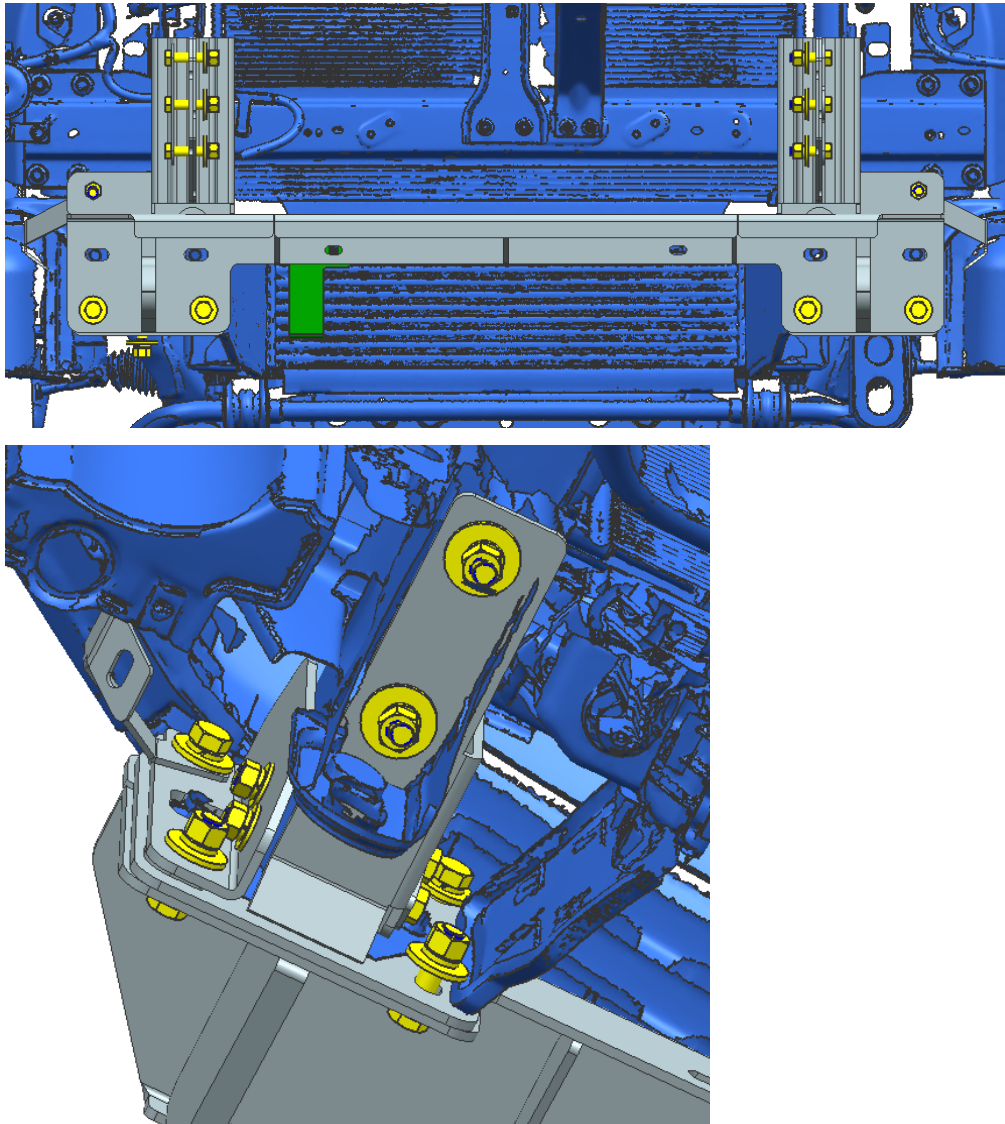
Step 2: Remove the OE grill, bumper , bumper supports, plastic air ducts, side bumper clips.

*Option: paint below guard line black.

Step 3: Install chassis bracket as per images below

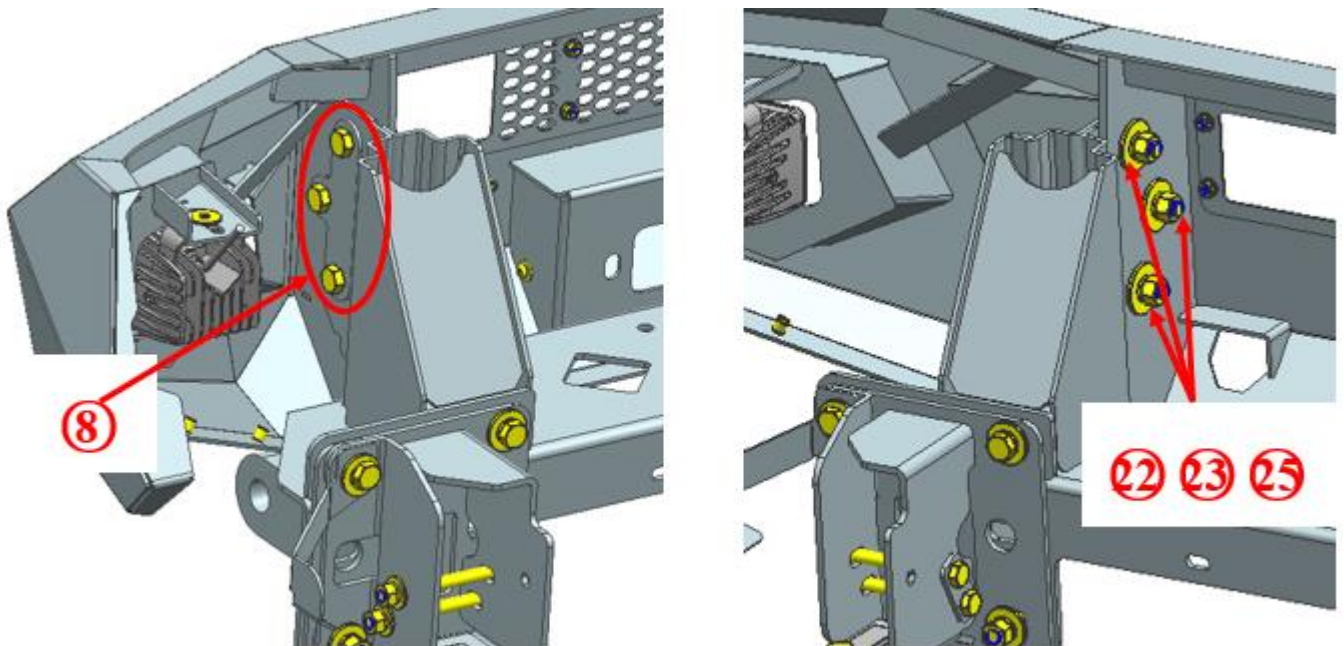


Step 4. Install Winch frame as below, including the skid plate connecting brackets.



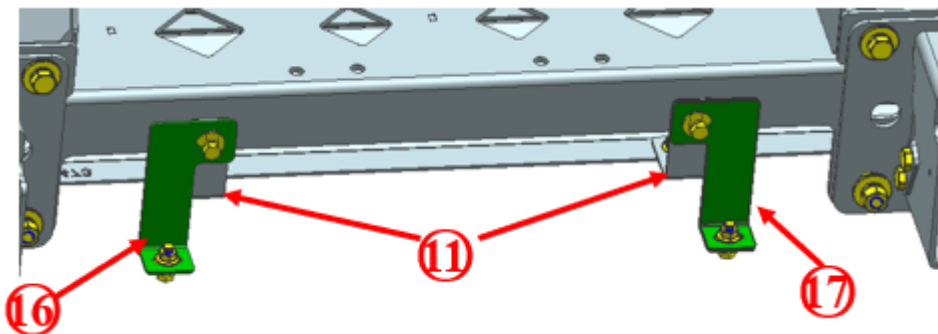
Step 5: Connect fog light wiring to OE fog light wiring or wire in the fog lights if vehicle not equipped.

Step 6: Lift bar onto the winch frame securing with bolt plates provided. Align bar and tighten, allowing room for body movement.

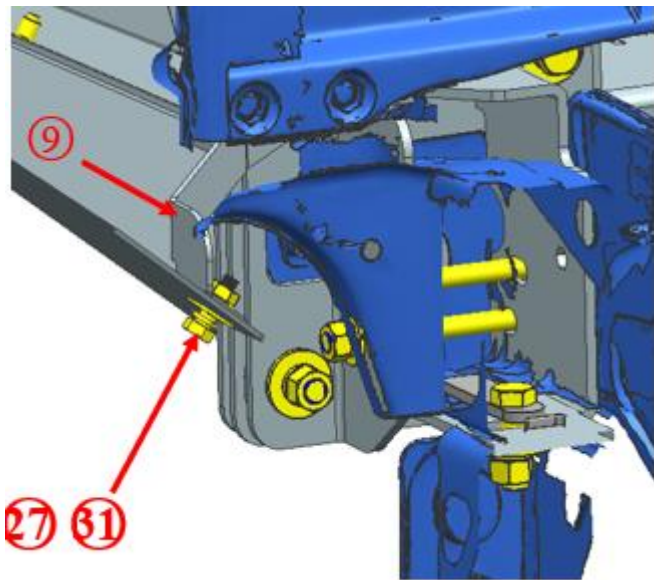
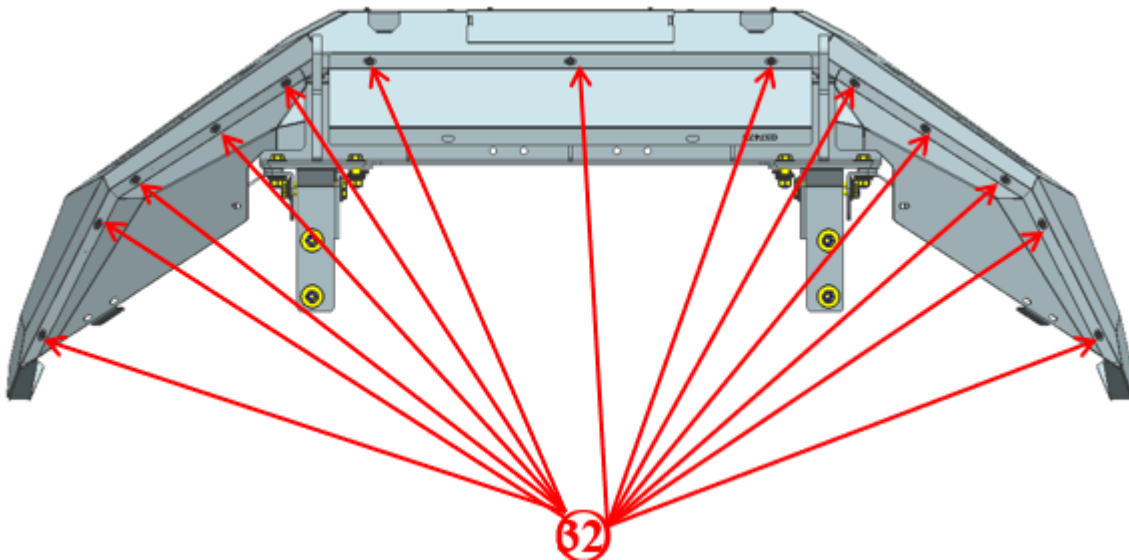


Step 7: Connect fog lights and secure wiring.

Step 8: Install lower centre skid plate brackets 16 17 to winch frame as shown below.



Step 9: Install skid plates.



Step 10: Refit Grill

Test and make sure all parts are securely fitted. Ensure all nuts & bolts are tightened.

This completes the installation of your EFS Bull Bar

NOTE

Any damages or loss caused by the improper installation and use of EFS Accessories will not be covered by warranty.

Please ensure you leave sufficient spacing between bullbar and guards