



# Towing Accessories Catalogue

April 2022

TAG Towbars are designed, manufactured and tested to comply with ADR62/01 standards. Towbars are rated to the vehicle's maximum towing capacity. Failure to monitor load limits and tow ball weights can lead to serious instability of towing vehicle and caravan.

TAG Towbars are proudly manufactured in Queensland, Australia. Copyright TAG Towbar 2022. All Rights Reserved. BRINK is a registered trade mark of Brink Towing Systems B.V. Netherlands. All Rights Reserved.

[tagtowbars.com.au](http://tagtowbars.com.au)

# Contents

Reference Table	3
Electronic Devices	4
Tow Ball Mounts	5
Adjustable Tow Ball Mounts	11
Weight Distribution Shanks	12
Weight Distribution Hitches	13
Hitch Extenders	14
Pintle Hooks and Mounts	15
D-Shackles	16
Trailer Adapters & Connectors	17
Accessories	22
Retail Packaging	26



**⚠ Warning:** Never exceed towing capacity of towbar or vehicle, always refer to the towing capacity of towbar and vehicle owner's manual.

# Reference Table

Description	SKU	Brand	Towing Capacity	Ball Weight	Rise	Drop	Length Pin To Ball	Tow Ball Mount Type	Tongue Face	Gross Trailer Weight
<b>TAG Towing Accessories</b>										
TAG 2" Drop Forged Tow Ball Mount - 222mm Long, 50mm Square Hitch	<b>UNTTBM452</b>	TAG	-	450	-	50mm	222mm	Heavy Duty 50mm Square	-	4500
TAG 4" Drop Forged Tow Ball Mount - 241mm Long, 50mm Square Hitch	<b>UNTTBM454</b>	TAG	-	450	-	100mm	241mm	Heavy Duty 50mm Square	-	4500
TAG Adjustable Heavy Duty Tow Ball Mount - 90° Face, 50mm Square Hitch	<b>UNTTBM450</b>	TAG	-	450	-	50mm	-	Heavy Duty 50mm Square	90°	4500
TAG Adjustable Pintle Mount - 50mm Square Hitch (4.5T)	<b>L4T04</b>	TAG	4500	-	-	-	-	Heavy Duty 50mm Square	-	-
TAG Adjustable Tow Ball Mount - 297mm Long, 90° Face, 50mm Square Hitch	<b>L4435</b>	TAG	-	350	-	135mm	297mm	Heavy Duty 50mm Square	90°	3500
TAG Adjustable Weight Distribution Shank - 50mm Square Hitch, 150mm Drop (3.5T)	<b>WDHS-150</b>	TAG	3500	350	Cannot be used in Rise Mode	150mm	-	Heavy Duty 50mm Square	-	-
TAG Adjustable Weight Distribution Shank - 50mm Square Hitch, 50mm Drop (4.5T)	<b>WDHS-050</b>	TAG	4500	450	-	50mm	-	Heavy Duty 50mm Square	-	-
TAG Adjustable Weight Distribution Shank - 50mm Square Hitch, Standard Drop (4.5T)	<b>WDHS-000</b>	TAG	4500	450	-	Standard/Adjustable	-	Heavy Duty 50mm Square	-	-
TAG Adjustable Weight Distribution Shank, 50mm Square Hitch, 100mm Drop (3.5T)	<b>WDHS-100</b>	TAG	3500	350	-	100mm	-	Heavy Duty 50mm Square	-	-
TAG Anti-Rattle Pin	<b>UNT001AR</b>	TAG	-	-	-	-	-	-	-	-
TAG Combo Pintle Hook (6T)	<b>L4T02</b>	TAG	6000	-	-	-	-	-	-	-
TAG Combo Pintle Hook with Receiver (6T)	<b>L4T01</b>	TAG	6000	-	-	-	-	Heavy Duty 50mm Square	-	-
TAG Dual Receiver Hitch Extender - 50mm Square	<b>L4H03</b>	TAG	-	-	Cannot be used in Rise Mode	-	-	Heavy Duty 50mm Square	-	-
TAG Hitch Extender - Length 356mm, 50mm Square Hitch	<b>L4H01</b>	TAG	-	-	-	-	-	Heavy Duty 50mm Square	-	-
TAG Hitch Pin & R-Clip - Easy Grip	<b>UNT001BT</b>	TAG	-	-	-	-	-	-	-	-
TAG Multi-use Tow Ball Mount - 50mm Square Hitch	<b>L4H02</b>	TAG	-	270	Cannot be used in Rise Mode	-	-	Heavy Duty 50mm Square	-	2700
TAG Pintle Hook (5T)	<b>L4T03</b>	TAG	5000	-	-	-	-	-	-	-
TAG Recovery Hitch - Fixed Bow Shackle (4.75T)	<b>L4R01</b>	TAG	-	-	-	-	-	Heavy Duty 50mm Square	-	-
TAG Reducer Bush (32mm to 22mm)	<b>UNTBUSH</b>	TAG	-	-	-	-	-	-	-	-
TAG Tow Ball Mount - 143mm Long, 90° Face, 50mm Square Hitch	<b>L4150</b>	TAG	-	250	-	4mm	143mm	Heavy Duty 50mm Square	90°	2500
TAG Tow Ball Mount - 178mm Long, 90° Tongue Face, 50mm Square Hitch	<b>L4120</b>	TAG	-	250	-	14mm	178mm	Heavy Duty 50mm Square	90°	2500
TAG Tow Ball Mount - 183mm Long, 135° Face, 50mm Square Hitch	<b>L4045S</b>	TAG	-	350	-	0mm	183mm	Heavy Duty 50mm Square	135°	3500
TAG Tow Ball Mount - 193mm Long, 90° Face, 50mm Square Hitch	<b>L4183</b>	TAG	-	250	-	99mm	193mm	Heavy Duty 50mm Square	90°	2500
TAG Tow Ball Mount - 198mm Long, 90° Face, 50mm Square Hitch	<b>L4182</b>	TAG	-	250	-	69mm	198mm	Heavy Duty 50mm Square	90°	2500
TAG Tow Ball Mount - 203mm Long, 90° Face, 50mm Square Hitch	<b>L4181</b>	TAG	-	250	-	44mm	203mm	Heavy Duty 50mm Square	90°	2500
TAG Tow Ball Mount - 208mm Long, 135° Face, 50mm Square Hitch	<b>L4045</b>	TAG	-	350	-	0mm	208mm	-	135°	3500
TAG Tow Ball Mount - 208mm Long, 90° Face, 50mm Square Hitch	<b>L4180</b>	TAG	-	250	-	14mm	208mm	Heavy Duty 50mm Square	90°	2500
TAG Tow Ball Mount - 210mm Long, 108° Face, 50mm Square Hitch	<b>L4006</b>	TAG	-	270	Cannot be used in Rise Mode	105mm	-	-	108°	2700
TAG Tow Ball Mount - 220mm Long, 108° Face, 50mm Square Hitch	<b>L4314</b>	TAG	2700	270	Cannot be used in Rise Mode	50mm	-	-	108°	-
TAG Tow Ball Mount - 220mm Long, 135° Face, 40mm Square Hitch	<b>L4040</b>	TAG	-	160	-	0mm	220mm	40mm Square	135°	1600
TAG Tow Ball Mount - 268mm Long, 90° Face, 50mm Square Hitch	<b>L4240</b>	TAG	-	250	-	14mm	-	Heavy Duty 50mm Square	90°	2500
TAG Tow Ball Mount - 338mm Long, 90° Face, 50mm Square Hitch	<b>L4310</b>	TAG	-	250	-	14mm	338mm	Heavy Duty 50mm Square	90°	2500
TAG Tow Ball Mount to suit Toyota Landcruiser (08/2007 - on)	<b>L4171</b>	TAG	-	350	Cannot be used in Rise Mode	63mm	219mm	Heavy Duty 50mm Square	105°	3500
TAG Tow Hitch Cover	<b>UNTTHC</b>	TAG	-	-	-	-	-	-	-	-

# Portable Jump-Starter & Multifunction Chargers

Get back on the road quickly with the 12000mAh i or 16000mAh 12V battery jump-starter or recharge your mobile devices using any one of the various charging options including Wireless Qi Charging, USB (5V/9V Output), 16V DC Output and USB-C Quickcharge Input.

Keep the TAG Portable Jump-Starter & Multifunction Charger in your vehicle to get you out of trouble in case of a flat battery or dead mobile phone.

SKU: JS01

## 12000mAh

### Specifications

- Battery Capacity: 12000mAh
- Certification: CE ROHS MSDS UN38.3
- Charge Time: 4 hours
- Operating Temperature: -20°C to 60°C
- Warranty: 12 Months



SKU: JS02

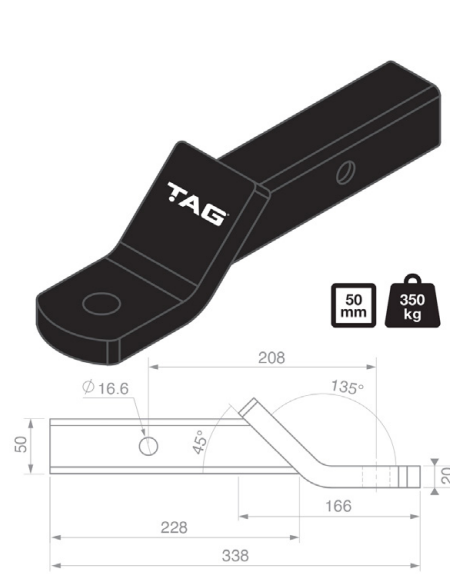
## 16000mAh

### Specifications

- Battery Capacity: 16000mAh
- Certification: CE ROHS MSDS UN38.3
- Charge Time: 4 hours
- Operating Temperature: -20°C to 60°C
- Warranty: 12 Months
- Longer Lasting Battery
- Compact Design
- Hardshell Carry Case



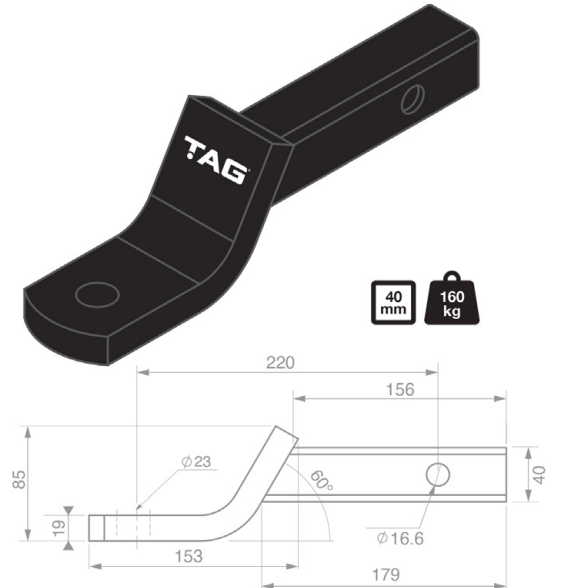




## 208mm

SKU: L4045

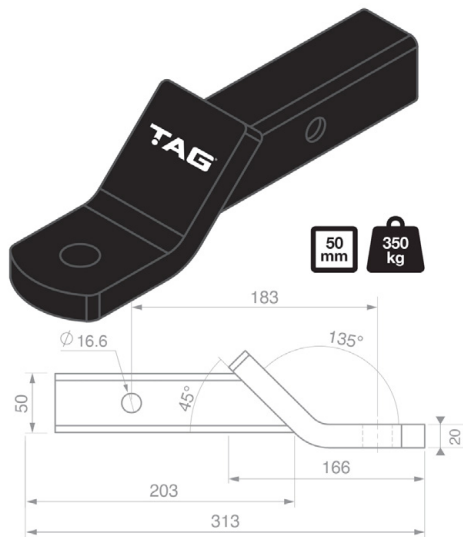
- 208 mm Long (Hitch Pin Hole to Tow Ball Hole)
- 135° Tongue Face
- 0mm Drop / 0mm Rise
- Can be mounted in Drop Mode or Rise Mode to raise or lower the tow ball
- 3500kg Gross Trailer Weight
- 350kg Ball Weight
- Durable Powder Coated Finish
- ADR 62/02 Compliant
- TAG Limited Lifetime Warranty



## 220mm

SKU: L4040

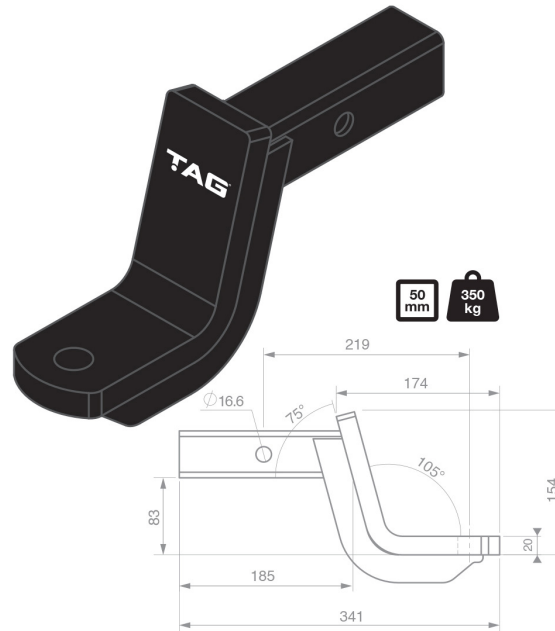
- 220 mm Long (Hitch Pin Hole to Tow Ball Hole)
- 135° Tongue Face
- 0mm Drop / 0mm Rise
- Can be mounted in Drop Mode or Rise Mode to raise or lower the tow ball
- 1600kg Gross Trailer Weight
- 160kg Ball Weight
- Durable Powder Coated Finish
- ADR 62/02 Compliant
- TAG Limited Lifetime Warranty



## 183mm

SKU: L4045S

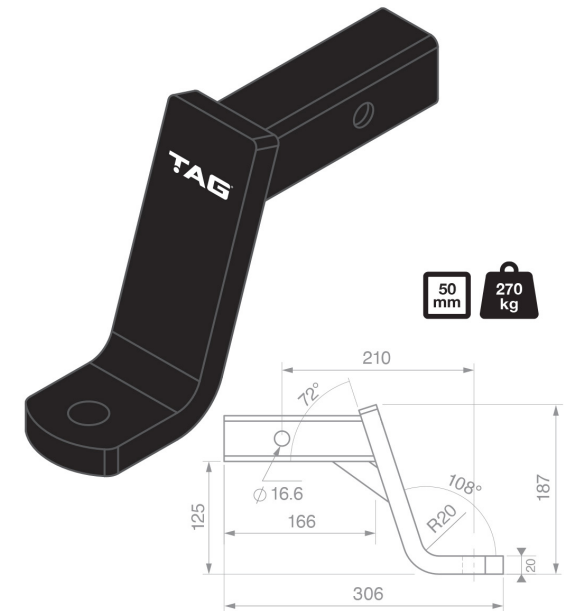
- 183 mm Long (Hitch Pin Hole to Tow Ball Hole)
- 135° Tongue Face
- 0mm Drop
- Drop Mode Only
- 3500kg Gross Trailer Weight
- 350kg Ball Weight
- Durable Powder Coated Finish
- ADR 62/02 Compliant
- TAG Limited Lifetime Warranty



## 219mm

SKU: L4171

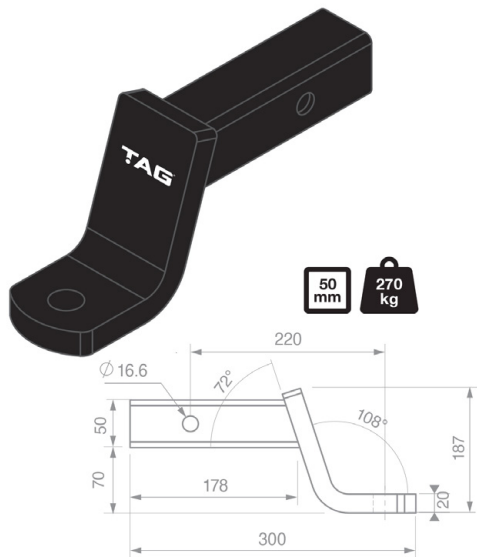
- 219 mm Long (Hitch Pin Hole to Tow Ball Hole)
- 105° Tongue Face
- 63mm Drop
- Drop Mode Only
- 3500kg Gross Trailer Weight
- 350kg Ball Weight
- Durable Powder Coated Finish
- ADR 62/02 Compliant
- TAG Limited Lifetime Warranty
- Suits Toyota Landcruiser 200 and 300 Series



## 210mm

SKU: L4006

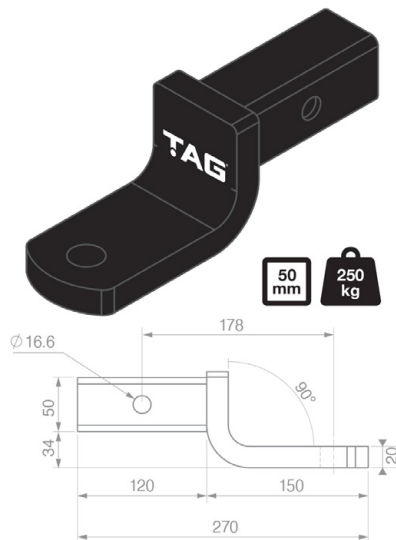
- 210 mm Long (Hitch Pin Hole to Tow Ball Hole)
- 108° Tongue Face
- 105mm Drop
- Drop Mode Only
- 2700kg Gross Trailer Weight
- 270kg Ball Weight
- Durable Powder Coated Finish
- ADR 62/02 Compliant
- TAG Limited Lifetime Warranty



## 220mm

SKU: L4314

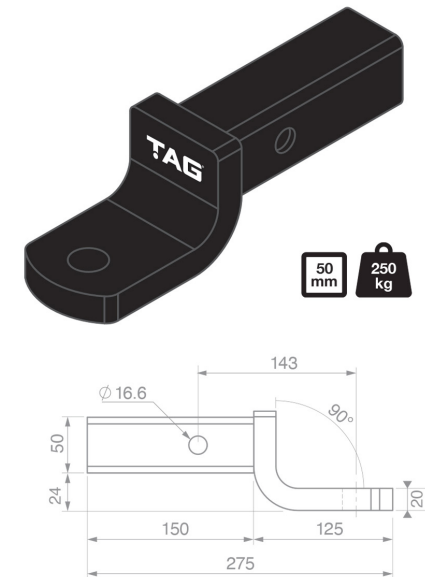
- 220mm Long (Hitch Pin Hole to Tow Ball Hole)
- 108° Tongue Face
- 50mm Drop
- Drop Mode Only
- 2700kg Gross Trailer Weight
- 270kg Ball Weight
- Durable Powder Coated Finish
- ADR 62/02 Compliant
- TAG Limited Lifetime Warranty



## 178mm

SKU: L4120

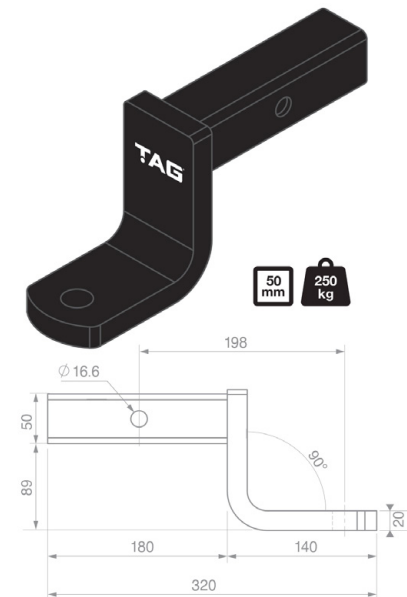
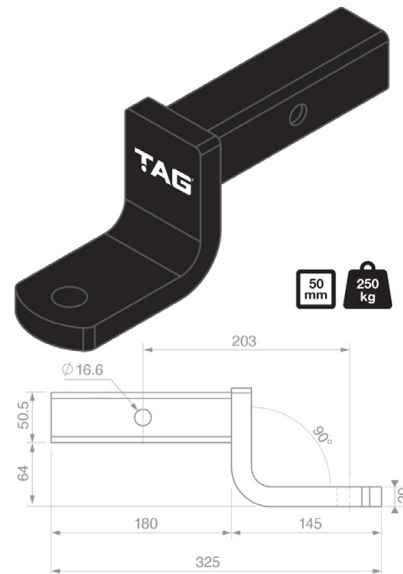
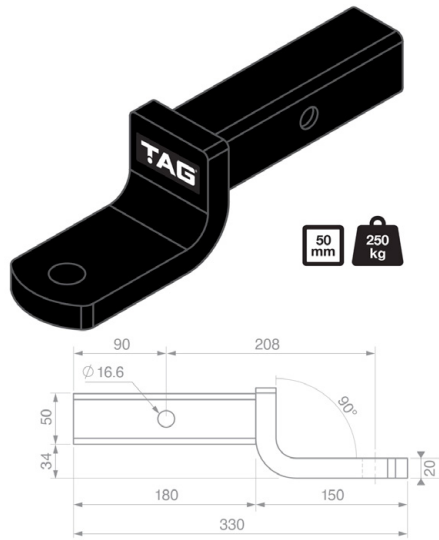
- 178mm Long (Hitch Pin Hole to Tow Ball Hole)
- 90° Tongue Face
- 14mm Drop / 14mm Rise
- Can be mounted in Drop Mode or Rise Mode to raise or lower the tow ball
- 2500kg Gross Trailer Weight
- 250kg Ball Weight
- Durable Powder Coated Finish
- ADR 62/02 Compliant
- TAG Limited Lifetime Warranty



## 143mm

SKU: L4150

- 143 mm Long (Hitch Pin Hole to Tow Ball Hole)
- 90° Tongue Face
- 4mm Drop / 4mm Rise
- Can be mounted in Drop Mode or Rise Mode to raise or lower the tow ball
- 2500kg Gross Trailer Weight
- 250kg Ball Weight
- Durable Powder Coated Finish
- ADR 62/02 Compliant
- TAG Limited Lifetime Warranty



## 208mm

SKU: L4180

- 208mm Long (Hitch Pin Hole to Tow Ball Hole)
- 90° Tongue Face
- 14mm Drop / 14mm Rise
- Can be mounted in Drop Mode or Rise Mode to raise or lower the tow ball
- 2500kg Gross Trailer Weight
- 250kg Ball Weight
- Durable Powder Coated Finish
- ADR 62/02 Compliant
- TAG Limited Lifetime Warranty

## 203mm

SKU: L4181

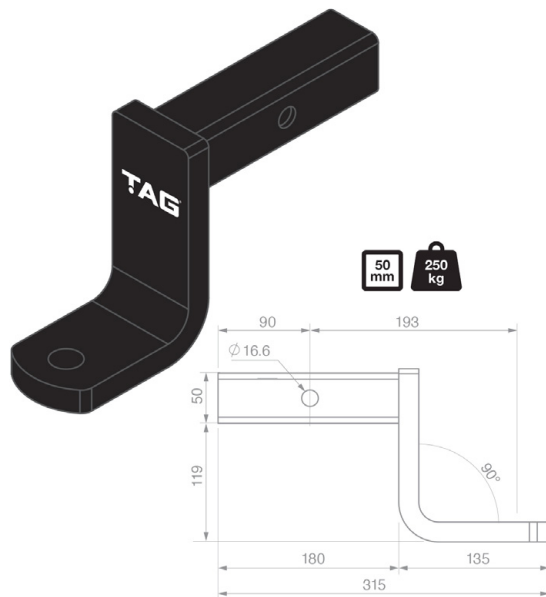
- 203mm Long (Hitch Pin Hole to Tow Ball Hole)
- 90° Tongue Face
- 44mm Drop / 44mm Rise
- Can be mounted in Drop Mode or Rise Mode to raise or lower the tow ball
- 2500kg Gross Trailer Weight
- 250kg Ball Weight
- Durable Powder Coated Finish
- ADR 62/02 Compliant
- TAG Limited Lifetime Warranty

## 198mm

SKU: L4182

- 198 mm Long (Hitch Pin Hole to Tow Ball Hole)
- 90° Tongue Face
- 69mm Drop / 69mm Rise
- Can be mounted in Drop Mode or Rise Mode to raise or lower the tow ball
- 2500kg Gross Trailer Weight
- 250kg Ball Weight
- Durable Powder Coated Finish
- ADR 62/02 Compliant
- TAG Limited Lifetime Warranty

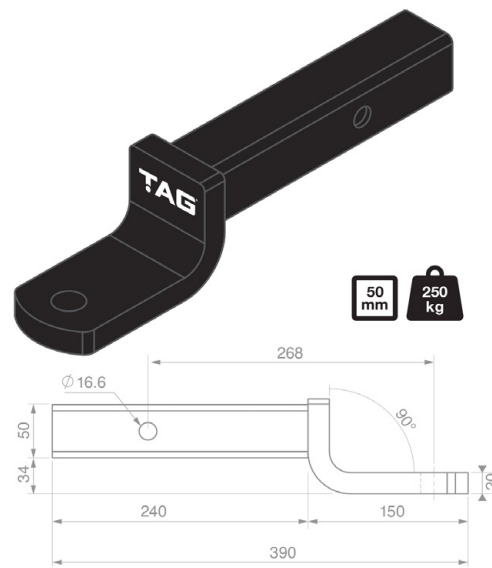




## 193mm

SKU: L4183

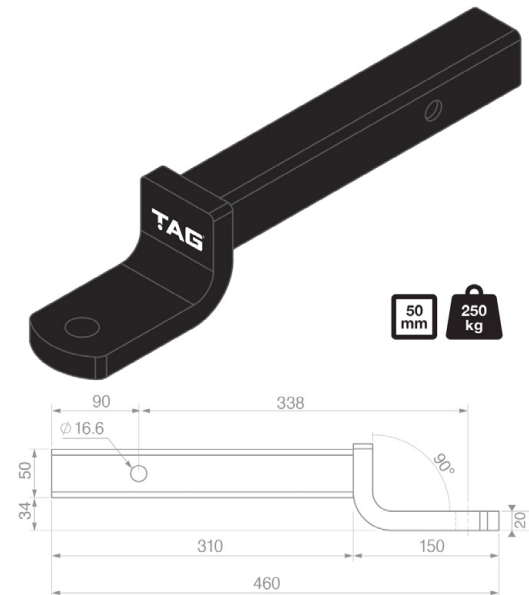
- 193 mm Long (Hitch Pin Hole to Tow Ball Hole)
- 90° Tongue Face
- 99mm Drop / 99mm Rise
- Can be mounted in Drop Mode or Rise Mode to raise or lower the tow ball
- 2500kg Gross Trailer Weight
- 250kg Ball Weight
- Durable Powder Coated Finish
- ADR 62/02 Compliant
- TAG Limited Lifetime Warranty



## 268mm

SKU: L4240

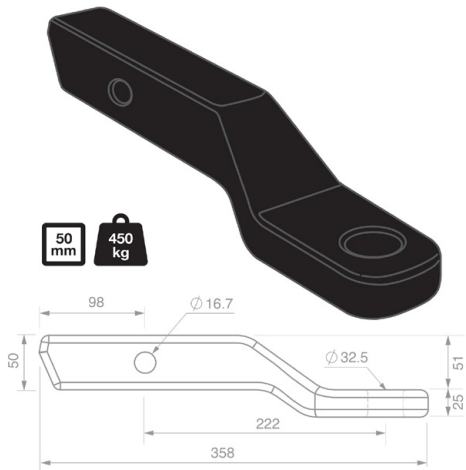
- 268mm Long (Hitch Pin Hole to Tow Ball Hole)
- 90° Tongue Face
- 14mm Drop / 14mm Rise
- Can be mounted in Drop Mode or Rise Mode to raise or lower the tow ball
- 2500kg Gross Trailer Weight
- 250kg Ball Weight
- Durable Powder Coated Finish
- ADR 62/02 Compliant
- TAG Limited Lifetime Warranty



## 338mm

SKU: L4310

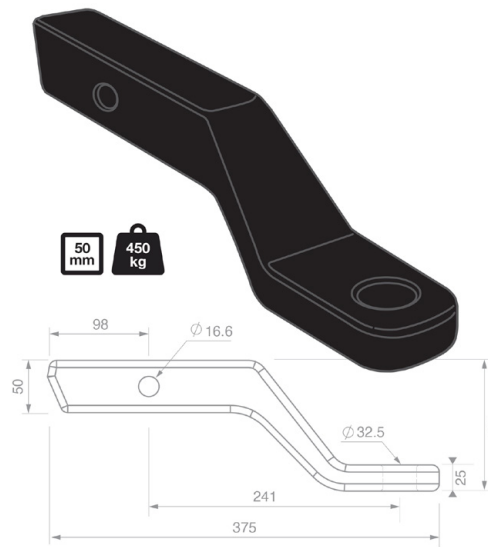
- 338mm Long (Hitch Pin Hole to Tow Ball Hole)
- 90° Tongue Face
- 14mm Drop / 14mm Rise
- Can be mounted in Drop Mode or Rise Mode to raise or lower the tow ball
- 2500kg Gross Trailer Weight
- 250kg Ball Weight
- Durable Powder Coated Finish
- ADR 62/02 Compliant
- TAG Limited Lifetime Warranty



## 2" Drop Forged

SKU: UNTTBM452

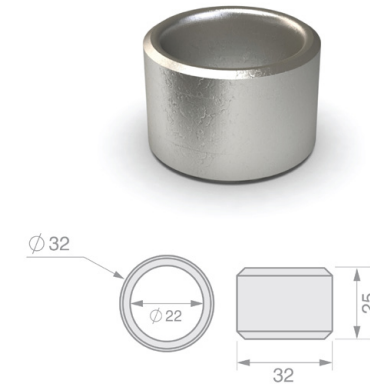
- 222 mm Long (Hitch Pin Hole to Tow Ball Hole)
- 0mm Drop
- Drop Mode Only
- 4500kg Gross Trailer Weight
- 450kg Ball Weight
- Durable Powder Coated Finish
- ADR 62/02 Compliant
- TAG Limited Lifetime Warranty



## 4" Drop Forged

SKU: UNTTBM454

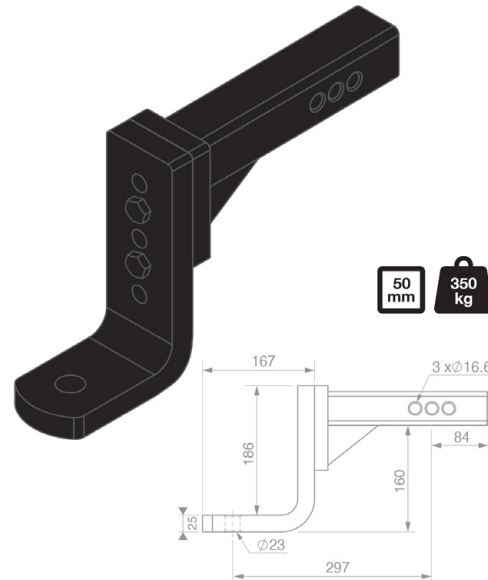
- 241 mm Long (Hitch Pin Hole to Tow Ball Hole)
- 50mm Drop
- Drop Mode Only
- 4500kg Gross Trailer Weight
- 450kg Ball Weight
- Durable Powder Coated Finish
- ADR 62/02 Compliant
- TAG Limited Lifetime Warranty



## Reducer Bush (32mm to 22mm)

SKU: UNTBUSH

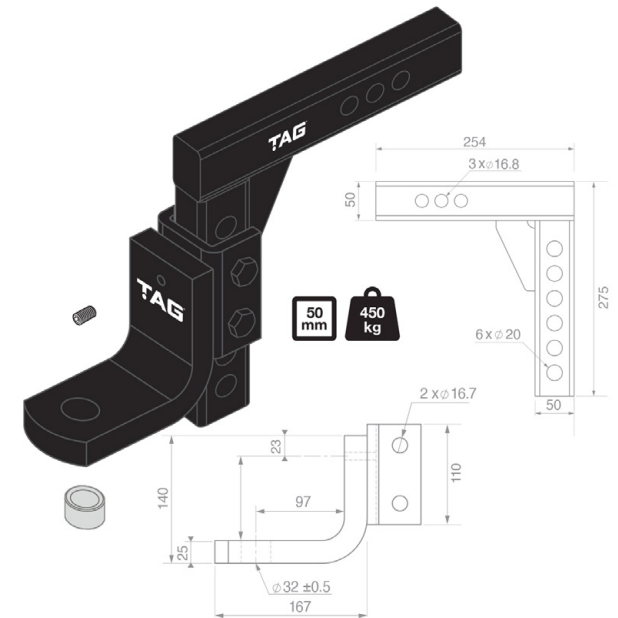
- The TAG Reducer Bush allows the use of a 50mm Tow Ball in a 70mm Tow Ball Mount. Compatible with TAG heavy-duty drop-forged tow ball mounts.



## Adjustable

SKU: L4435

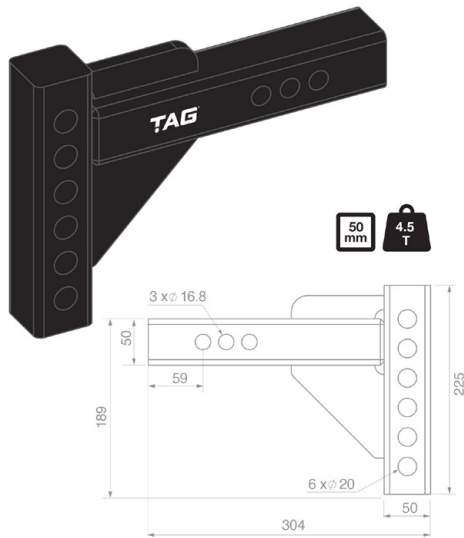
- 297mm Long (Hitch Pin Hole to Tow Ball Hole)
- 90° Tongue Face
- 135mm Drop/Rise
- Rise and Drop Mode (Refer to info sheet for correct use)
- 3500kg Gross Trailer Weight
- 350kg Ball Weight
- Durable Powder Coated Finish
- ADR 62/02 Compliant
- TAG Limited Lifetime Warranty



## Adjustable Heavy Duty

SKU: UNTTBM450

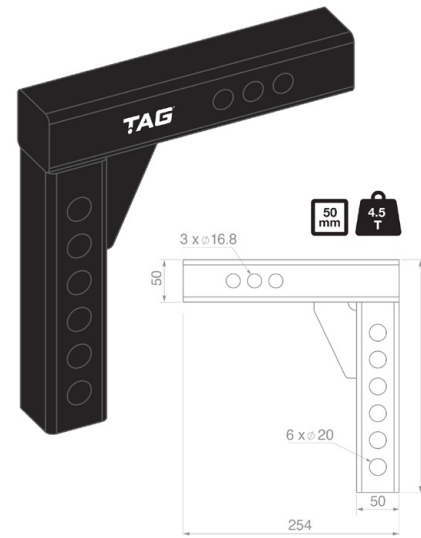
- Variable Height
- 90° Tongue Face
- Can be mounted in Drop Mode or Rise Mode to raise or lower the tow ball
- Powder Coated Finish
- 115mm Drop/Rise
- Fits 70mm tow ball (or 50mm using included reducer)
- 4500kg Gross Trailer Weight
- Ball Weight 450kg / 350kg
- ADR 62/02 Compliant
- Limited Lifetime Warranty



## Adjustable - 225mm

SKU: WDHS-000

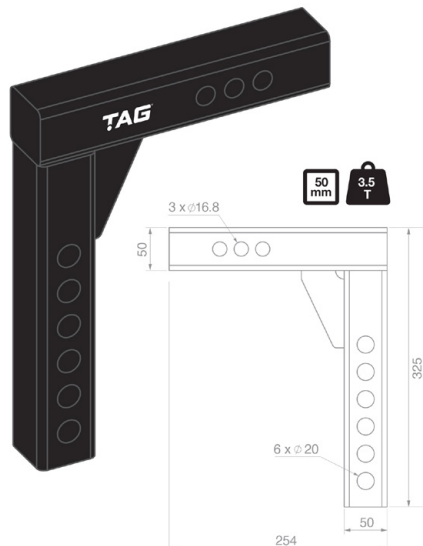
- Overall Height 225mm
- Can be mounted in Drop Mode or Rise Mode to raise or lower the tow ball
- For use with weight distribution system
- Multiple holes for adjustment
- 4500kg Gross Trailer Weight
- 450kg Ball Weight
- Durable Powder Coated Finish
- ADR 62/02 Compliant
- TAG Limited Lifetime Warranty



## Adjustable - 275mm

SKU: WDHS-050

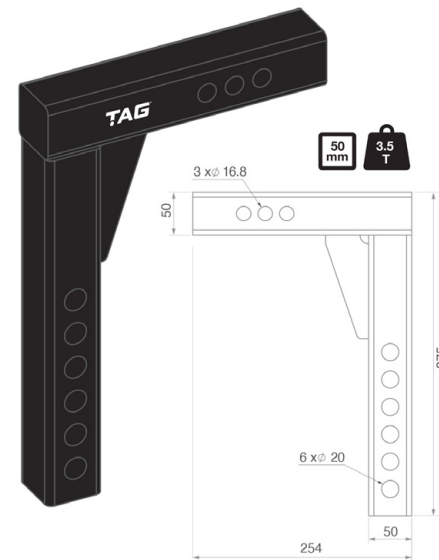
- Overall Height 275mm
- Can be mounted in Drop Mode or Rise Mode to raise or lower the tow ball
- For use with weight distribution system
- Multiple holes for adjustment
- 4500kg Gross Trailer Weight
- 450kg Ball Weight
- Durable Powder Coated Finish
- ADR 62/02 Compliant
- TAG Limited Lifetime Warranty



## Adjustable - 325mm

SKU: WDHS-100

- Overall Height 325mm
- Can be mounted in Drop Mode or Rise Mode to raise or lower the tow ball
- For use with weight distribution system
- 3500kg Gross Trailer Weight
- 350kg Ball Weight
- Durable Powder Coated Finish
- ADR 62/02 Compliant
- TAG Limited Lifetime Warranty



## Adjustable - 375mm

SKU: WDHS-150

- Overall Height 375mm
- Can be mounted in Drop Mode or Rise Mode to raise or lower the tow ball
- For use with weight distribution system
- 3500kg Gross Trailer Weight
- 350kg Ball Weight
- Durable Powder Coated Finish
- ADR 62/02 Compliant
- TAG Limited Lifetime Warranty



## 3500/270kg

SKU: WDH270

- Round bar style
- Min. ball load 140kg, T Cap/BW - 3500/270kg
- Weight Distribution Hitches evenly distribute weight over the entire length of the towing vehicle and trailer, resulting in a more level ride with more control, stability and reduces sway.
- The use of this product requires a Hitch Receiver attached to the tow vehicle.

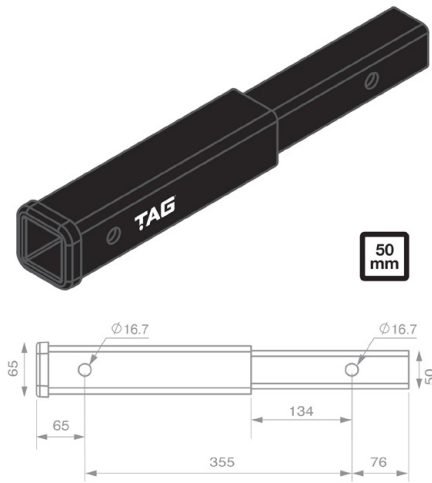


## 3500/355kg

SKU: WDH355

- Round bar style
- Min. ball load 270kg, T Cap/BW - 3500/355kg
- Weight Distribution Hitches evenly distribute weight over the entire length of the towing vehicle and trailer, resulting in a more level ride with more control, stability and reduces sway.
- The use of this product requires a Hitch Receiver attached to the tow vehicle

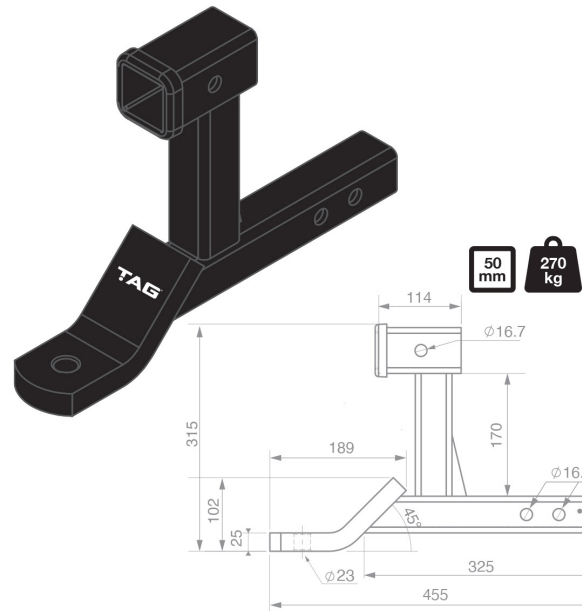




## Hitch Extender - 14" (356mm)

SKU: L4H01

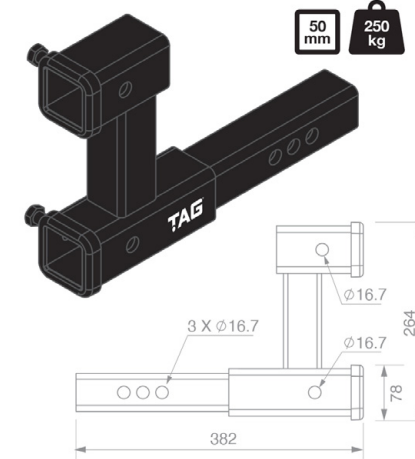
- 50mm Square Hitch
- Length 14" (356mm) Pin Hole to Pin Hole
- TAG Limited Lifetime Warranty
- Warning: Not to be used for towing or for any purpose other than carrying a bike rack



## Multi-use Tow Ball Mount

SKU: L4H02

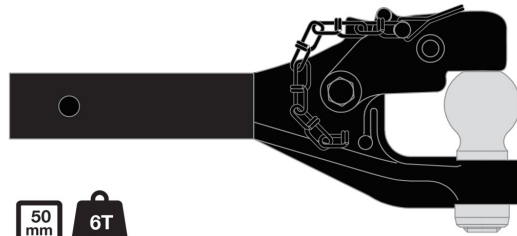
- Overall Height 315mm
- 2 Pin Holes for greater adjustment
- 311mm / 355mm
- 2700kg Gross Trailer Weight
- 270kg Ball Weight
- Durable Powder Coated Finish
- ADR 62/02 Compliant
- TAG Limited Lifetime Warranty



## Dual Receiver Hitch Extender

SKU: L4H03

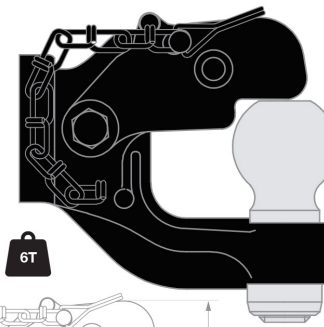
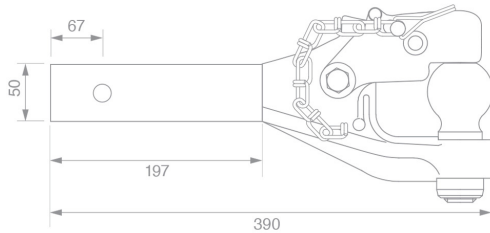
- Overall Height 264mm
- 3 Pin Holes for greater adjustment
- 203mm / 229mm / 250mm
- Top receiver not designed for towing
- Durable Powder Coated Finish
- ADR 62/02 Compliant
- TAG Limited Lifetime Warranty



## Combo Hook with Receiver

SKU: L4T01

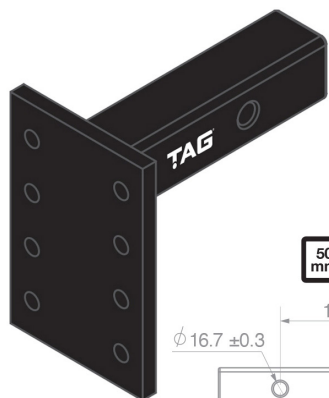
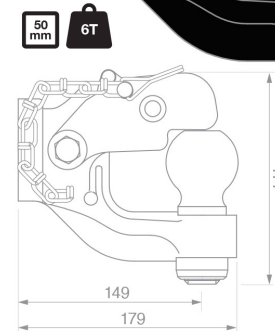
- Solid Steel Shank Arm
- 3.5T using 50mm Tow Ball
- 6T Using Pintle Hook
- Powder Coated Finish
- ADR 62/02 Compliant



## Combo Hook

SKU: L4T02

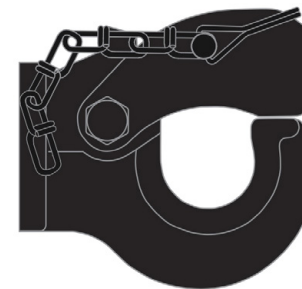
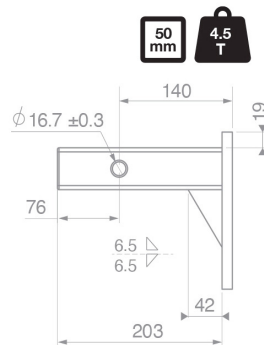
- 3.5T using 50mm Tow Ball
- 6T using Pintle Hook
- Powder Coated Finish
- ADR 62/02 Compliant



## Adjustable Mount

SKU: L4T04

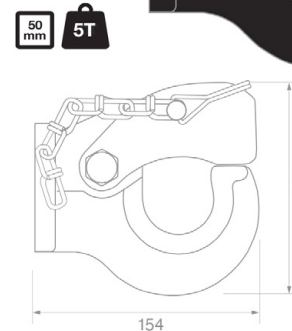
- Used to Mount Pintle Hooks
- Multiple Mounting Positions
- Solid Steel Shank
- Heavy Duty Mounting Plate
- Powder Coated Finish
- ADR 62/02 Compliant



## Hook

SKU: L4T03

- Powder Coated Finish
- 5 Tonne Towing Capacity
- ADR 62/02 Compliant



# D-Shackles



**8mm, 750kg**

SKU: DSG008

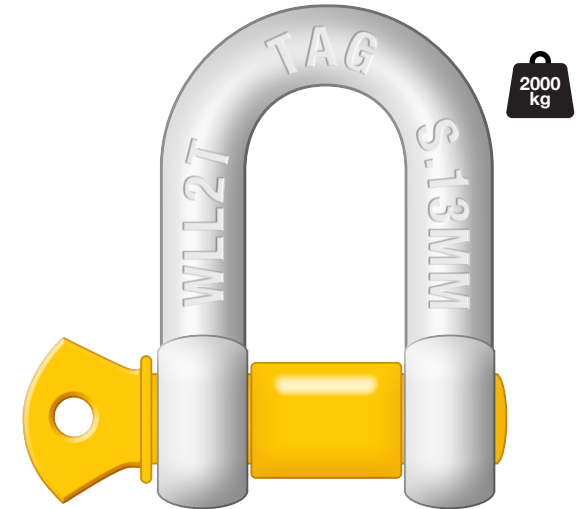
Thickness 8mm  
Load rate 750kg  
Galvanised



**10mm, 1250kg**

SKU: DSG010

Thickness 10mm  
Load rate 1250kg  
Galvanised



**13mm, 2000kg**

SKU: DSG013

Thickness 13mm  
Load rate 2000kg  
Galvanised

## 7 Pin Small Round Plug to 7 Pin Flat Socket



SKU: UNTA004

- Male to Female Plug Adapter
- 7 Pin Small Round Plug (Vehicle Side) to 7 Pin Flat Socket (Trailer Side)
- Plug & Play Installation
- Save Time Rewiring Your Existing Plugs
- Ideal for Rented Trailers

## 7 Pin Flat Plug to 7 Pin Large Round Socket



SKU: UNTA008

- Male to Female Plug Adapter
- 7 Pin Flat Plug (Vehicle Side) to 7 Pin Large Round Socket (Trailer Side)
- Plug & Play Installation
- Save Time Rewiring Your Existing Plugs
- Ideal for Rented Trailers

## 7 Pin Flat Plug to 7 Pin Small Round Socket



SKU: UNTA006

- Male to Female Plug Adapter
- 7 Pin Flat Plug (Vehicle Side) to 7 Pin Small Round Socket (Trailer Side)
- Plug & Play Installation
- Save Time Rewiring Your Existing Plugs
- Ideal for Rented Trailers

## 7 Pin Large Round Plug to 7 Pin Flat Socket



SKU: UNTA0010

- Male to Female Plug Adapter
- 7 Pin Large Round Plug (Vehicle Side) to 7 Pin Flat Socket (Trailer Side)
- Plug & Play Installation
- Save Time Rewiring Your Existing Plugs
- Ideal for Rented Trailers

## 7 Pin Large Round Plug to 7 Pin Small Round Socket



SKU: UNTA012

- Male to Male Plug Adapter
- 7 Pin Large Round Plug (Vehicle Side) to 7 Pin Small Round Plug (Trailer Side)
- Plug & Play Installation
- Save Time Rewiring Your Existing Plugs
- Ideal for Rented Trailers

## 7 Pin Small Round Plug to 7 Pin Large Round Socket



SKU:UNTA016

- Male to Female Plug Adaptor
- 7 Pin Small Round Plug (Vehicle Side) to 7 Pin Large Round Socket (Trailer Side)
- Plug & Play Installation
- Save Time Rewiring Your Existing Plugs
- Ideal for Rented Trailers

## 12 Pin Flat Socket



SKU: UNT012

- TAG Pulse 12 Pin Flat Socket
- Fits 12 Pin Flat Plug and 7 Pin Flat Plug for light trailer use

## 12 Pin Flat Plug



SKU: UNT013

- 12 Pin Flat Trailer Plug
- Fits a 12 Pin Flat Socket





## 7 Pin Small Round Socket

SKU: UNT030

- 7 Pin Small Round Socket (Vehicle Side)
- Numbered Terminals for Easy Wire Installation
- Connects to the Trailer Plug



## 7 Pin Small Round Plug

SKU: UNT033

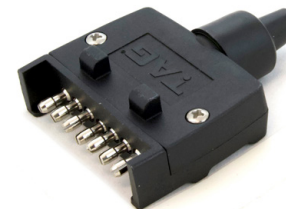
- 7 Pin Small Round Plug (Trailer Side)
- Numbered Terminals for Easy Wire Installation
- Connects to the Vehicle Socket



## 7 Pin Flat Socket

SKU: UNT032BLIS

- 7 Pin Flat Socket (Vehicle Side)
- Fits 7 Pin Flat Plug UNT035
- Numbered Terminals for Easy Wire Installation
- Connects to the Trailer Plug



## 7 Pin Flat Plug

SKU: UNT035

- 7 Pin Flat Plug (Trailer Side)
- Fits 7 Pin Flat Socket UNT032BLIS
- Numbered Terminals for Easy Wire Installation
- Connects to the Vehicle Socket

## 7 Pin Small Round Plug

SKU: UNT036



- Suits Trailer Side of Plug Connection (male)
- 7 Pin Large Round Plug to Suit Heavy Duty Applications
- Numbered Terminals for Easy Wire Installation
- Connects to the Vehicle Plug



## Plug Bracket - 90 Degree Angle

SKU: UNT040

- 90 Degree Angled Bracket
- Suits small round plastic plug
- 66 x 55 x 35mm

## 7 Pin Large Round Socket

SKU: UNT037



- Suits Vehicle Side of Plug Connection (female)
- 7 Pin Large Round Socket to Suit Heavy Duty Applications
- Numbered Terminals for Easy Wire Installation
- Connects to the Trailer Plug



## Plug Bracket - Flat

SKU: UNT043

- Flat Plug Bracket
- Suits Small Round Plug,
- 72 x 66mm



## Heavy Duty Set (Red Anderson Plugs) with Covers

SKU: UNTANDR-WC

- 50 Amp Red Anderson Plugs
- Two black covers



## Heavy Duty Covers

SKU: UNTANDCOV

- Heavy-Duty Connector Covers to suit 50 Amp Anderson Plugs
- Two black covers



## Heavy Duty Set (Grey Anderson Plugs)

SKU: UNTAND

- Not compatible with Red Anderson Plugs



## Heavy Duty Set (Grey Anderson Plugs) With Covers

SKU: UNTAND-WC

- Two 50amp Anderson Plugs (Grey)
- Two black covers
- Not compatible with Red Anderson Plugs



## 50mm Tow Ball

SKU: UNT010-T

- Diameter 50mm
- Thread Length 62mm
- Load rate 3500kg
- Finish: Chrome
- AS4177.2-2004 Compliant



## 50mm Tow Ball

SKU: UNT010

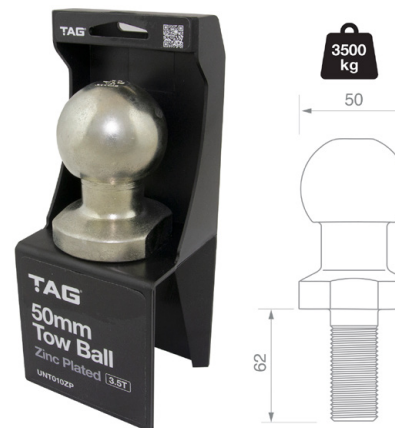
- Diameter 50mm
- Thread Length 62mm
- Load rate 3500kg
- Finish: Chrome
- AS4177.2-2004 Compliant



## 50mm Tow Ball Zinc Plated

SKU: UNT010ZP-T

- Diameter 50mm
- Thread Length 62mm
- Load rate 3500kg
- Finish: Zinc
- AS4177.2-2004 Compliant



## 50mm Tow Ball Zinc Plated

SKU: UNT010ZP

- Diameter 50mm
- Thread Length 62mm
- Load rate 3500kg
- Finish: Zinc
- AS4177.2-2004 Compliant



## 70mm Tow Ball

SKU: UNT011

- Diameter 70mm
- Thread Length 62mm
- 1¼ Shank
- Towing Capacity 4.5 tonne
- Finish: Chrome
- AS4177.2-2004 Compliant

## 50mm Tow Ball Cover

SKU: UNT002B

- 50mm Tow Ball Cover, black with spring clip



## Tow Ball Weight Scale

SKU: SCALE01

- Easily measure the ball weight of your caravan or trailer
- Calibrated up to 350kg
- Easy to read weight scale
- Laser-etched measurements on all four sides
- Heavy-duty square metal construction
- Plastic cap protects trailer coupling
- Large sturdy base
- Weight distribution guide







## Locking Hitch Pin - Straight

SKU: UNT001

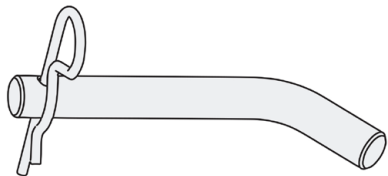
- Locking Hitch Pin for class 4 hitch ball mount
- Round shape lock up



## 2 Way Trailer Coupling Lock

SKU: UNT005

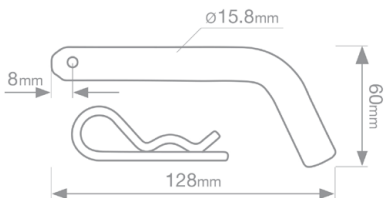
- TAG 2 Way Trailer Coupling Lock,
- Includes a padlock and keys
- Zinc Plated Steel
- 2 Way Function
- Secure your trailer when not attached to a vehicle or lock trailer to the vehicle when parked



## Hitch Pin & R-Clip

SKU: UNT080BLIS

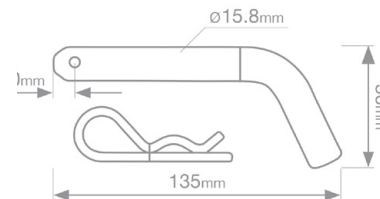
- Suits Class 4 Towbar
- Zinc Plated Steel
- Includes R-Clip for Secure Mounting.
- 15.8mm (5/8") Diameter Pin
- Quick and Easy to Install/Remove



## Hitch Pin & R-Clip - Easy Grip

SKU: UNT001BT

- Suits Class 4 Towbar
- Zinc Plated Steel
- Includes R-Clip for Secure Mounting.
- 15.8mm (5/8") Diameter Pin
- Quick and Easy to Install/Remove
- Rubber Grip for Non-Slip Handling





## Hitch Collar

SKU: UNTCOV

- Class 4 Towbar Hitch Collar to suit 50mm Hitch Receiver



## Recovery Hitch

SKU: L4R01

- 4.75T Fixed Bow Shackle
- 50mm Solid Square Hitch
- Dual Pin Holes for Horizontal and Vertical use
- TAG Limited Lifetime Warranty



## Tow Hitch Cover

SKU: UNTTHC

- Suits all 50mm x 50mm square hitch receivers.
- Plastic



## Shin Protector

SKU: UNT060

Save your shins and knees from taking a whack, by putting a TAG Shin Protector around your Tow Ball

The TAG accessory product range has been designed and packaged to present a recognisable brand with consistent, shelf-friendly markings to suit the retail environment.

Packaging includes easy to understand product titles, part number, technical lines drawings and QR codes for quick access to supporting technical documentation.

