



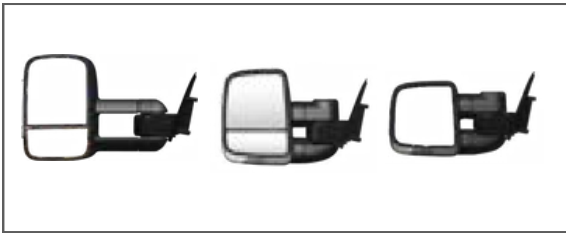
FORD RANGER PX | EVEREST

2011 - 2021

TOWING MIRRORS INSTALLATION INSTRUCTIONS

Our Range

Towing Mirrors



Power Boards



Rock Tamers



Tyre Spider



Easy Slides



Power Slides



Expanda Slides



Fridge Cage



Pantry



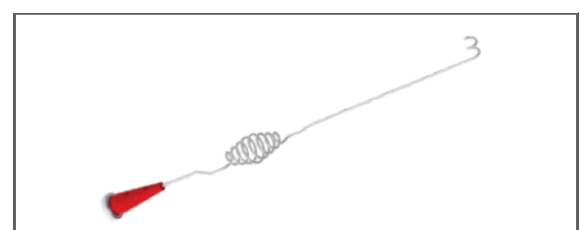
Cutlery Set



Clip on Trays



Cable Saver



Contents

Our Range

Introduction

Getting Started

Before You Start

Maintaining Your Mirrors

Mirror Dimensions

Fitting Instructions

FAQS

Troubleshooting



Getting Started

Clearview mirrors are direct replacement mirrors that mount securely in the same position as your original mirrors.

What's in the box



- 1 x Left hand side mirror & base
- 1 x Right hand side mirror & base
- 1 x Installation instruction

If anything is missing, or damaged, please do not install your new mirrors and contact us on 03 8351 9933 or via: info@clearviewaccessories.com.au

Tools Required:

- 1x Rattle gun with a 10mm socket
- 1x Philips head screwdriver
- 1x Flat screwdriver
 - 1x Soft plastic pry-bar (Trim Remover)
- 1x S-Hook



Whilst our mirrors can be installed by one person, the process is quicker and easier when an additional person is available to hold the mirror into position.

CAUTIONS | WARNINGS



CAUTION



WARNING

- Read through the fitting instructions before installation of Clearview Accessories.
- Always install the accessory following the fitting instructions. Failure to do so may cause damage to the vehicle or the accessory.
- Ensure all recyclable discarded vehicle accessory components and packaging are recycled following local recycling regulations.
- It is always recommended that this accessory is fitted by a qualified technician.
- Safely store and protect any removed vehicle components.
- Ensure all bare metal surfaces are protected using Automotive Bare Metal Primer and touch-up paint.
- Remove all metal swarf and dust from all vehicle surfaces if surface is used for accessory installation.
- Your vehicle maybe fitted with the Active Park Assist feature. You should only use this feature with your Towing Mirrors in the fully retracted, driving position.



POWER FOLD

WARNING
DO NOT UNFOLD MANUALLY

If your mirror is equipped with Power Fold. In some cases, the mirror head may be loose before installation as the mirror head needs to be electrically folded and unfolded for a minimum of cycles on its first use to synchronize.

Please refrain from folding the mirror MANUALLY as it can reduce the life span of the product.

Important: This mirror is designed to be manually folded upon impact as a safety feature.

COURTESY/PUDDLE LIGHT

Please understand that every car and every model are different, and that some vehicles have different wiring options to other vehicles. We do not know the exact wiring configuration of your vehicle.

If you require the use of the courtesy / puddle light function you will require the assistance of an Auto Electrician.

Clearview Accessories does NOT provide this service unless it's a standard function on the vehicle.

NOTE IF HARD WIRING: Orange Wire: Negative (-) | Grey Wire: Positive (+)

Maintaining your mirrors

Maintaining Powder Coated Surfaces

Whilst powder coating is a lot more durable, and longer lasting than paint, it can still be affected by dust, dirt, salt water and constant exposure to the weather. For this reason, no protective powder coating is completely maintenance-free.

With the right maintenance, you can increase the life of the finish of your powder coated surfaces:

- Harsh chemicals and solvents can damage powder coating. Once damaged, the surface is a lot more vulnerable to fading and failure.

- We recommend regularly inspecting your powder coat and wiping any dust off with a soft cloth. Clean, good quality micro-fiber cloths are recommended.

- We recommend regular washing with highly diluted mild soap and water. Use a soft towel to gently clean. Rinse and dry with another soft towel.

- If your powder coat is losing its shine, you can apply a thin layer of high-grade non-abrasive car wax after it's been cleaned. Wipe all the wax off once its dried and the powder coat should look like new again! Use a car wax brand that contains a UV blocker

or UV inhibitors. Do not use compound-type waxes as they contain abrasives that can harm the powder coating.

It's important in coastal areas to regularly clean any powder coated surfaces as salt will stick to the coating, dulling its appearance. This can leave your powder coated surface looking chalky.

We don't recommend paint touch ups to cover imperfections as paint won't adhere to powder coated surfaces. A local professional can quote to repair the powder coating.

How do I maintain my Powerfold mirrors?

Under normal Powerfold operation, there shouldn't be any maintenance required. However, if it is regularly used off-road, then the mirrors may need to be maintained every 12 months. This maintenance involves pulling the mirror into the fully extended position and applying dry lubricant on the arms.

Maintaining your Chrome Mirrors

The chrome finish used on our mirror heads is a chrome plated plastic, which provides the appearance and feel of real chrome, in a more lightweight and cost-effective material.

Weather conditions, how often they are washed and how close to the ocean you live, all play a role in the longevity of the chrome finish.

- Automatic car washes that use bristle brushes or acidic preparations can damage your chrome
- Salt and de-icers will surface pit chrome and extra care will be required with more frequent washes to remove residue.
- We recommend washing them weekly with mild soap and water, steering clear of ammonia-based or acid solutions.
- Clean, good quality micro-fiber cloths are recommended to wipe down the chrome surface and prevent water stains from forming
- An occasional polish with a non-abrasive chrome polish will help bring your chrome back to its original shine!

If chrome isn't properly maintained, it can develop pitting from corrosion or lose its attractive shine. We recommend Autosol Metal Polish and Autosol Metal Life Saver

Clearview Compact

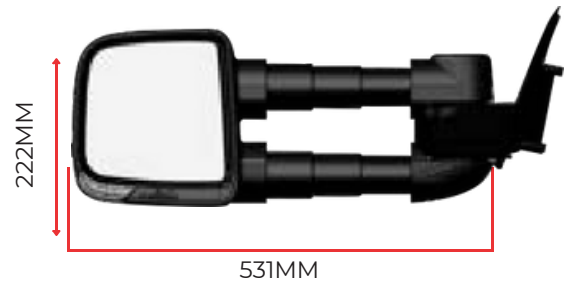
Non-Extended Standard Driving Position



Extended Towing Position

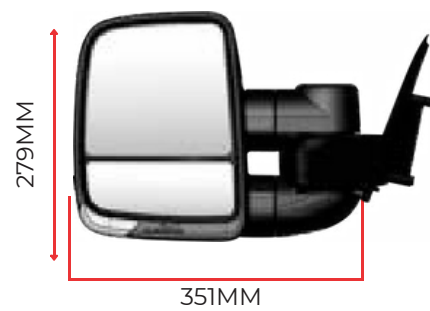


Fully Extended Towing Position

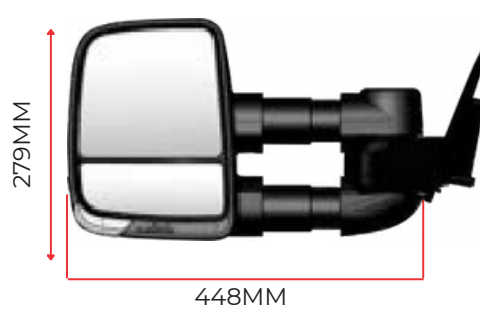


Clearview Next Gen

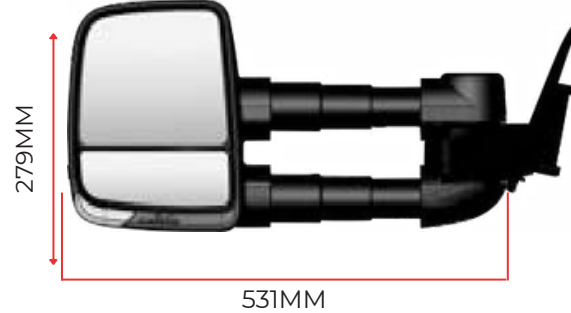
Non-Extended Standard Driving Position



Extended Towing Position

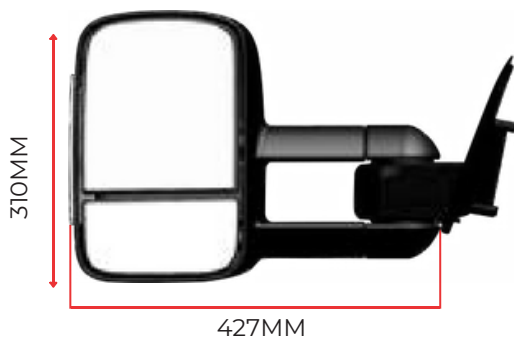


Fully Extended Towing Position

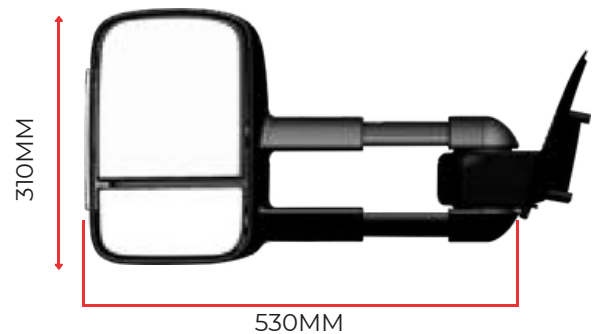


Clearview Original

Non-Extended Standard Driving Position



Fully Extended Towing Position



FORD RANGER PX ADAPTOR WIRING

HOW TO IDENTIFY WHICH MODEL RANGER YOU HAVE:

Look at your vehicle's VIN tag on drivers inside door frame. It will state RANGER 1, 2 or 3, denoting that it is a PXI, PXII or PXIII. The PXIII is the only Ranger with a push button start.

FORD RANGER PXIII

No modification required. The mirrors come fitted with the PXIII wiring. Just plug the mirror's wiring into the vehicle's wiring and you are good to go. Please ensure that all wiring is neatly contained so that it does not get stretched or pinched when folding in the mirrors.

FORD RANGER PXII

This box contains 2 switch adaptors (for left and right mirrors). The mirrors are currently fitted with the PXIII wiring loom & adaptors. If your vehicle is a PXII, you are required to fit a single switch adaptor to the end of the current loom and adaptor.

INCLUDED AS A SPARE PART
IN MIRROR BOX



Ford Ranger PXII Switch Adaptor.

Connect switch adaptor between supplied mirror wiring and vehicle mirror wiring.



FORD RANGER PXI



Mirror base comes with gasket.



Remove gasket to reveal wiring.



IMPORTANT!

Disconnect wiring clip otherwise the puddle light will stay on when the vehicle is turned off and will drain the battery.

Ensure that the replacement wiring is bundled neatly and positioned so as not to pinch wiring in mirror folding position.

After disconnecting wiring, assemble wiring neatly back in base and reseal with the gasket.

Fitting Instruction

Step 1

Place transmission into park position with handbrake on.

Turn ignition on and lower front door glass/windows.

Turn ignition off and remove key.



Step 2

Remove the quarter panel trim with the panel removing tool.



Ensure you are mindful of the wires. Remove the speaker wires once you have removed the quarter panel.

Fitting Instruction

Step 3



Remove the door latch cover, and the panel within the door latch. Then, with your torque 20, remove the screw in the door latch.

Step 4



After you have removed the door latch cover, you will need to remove the cover from the arm rest (Image 1). Use your Phillips head screwdriver to remove the 2 screws within the arm rest (Image 2).

Fitting Instruction

Step 5



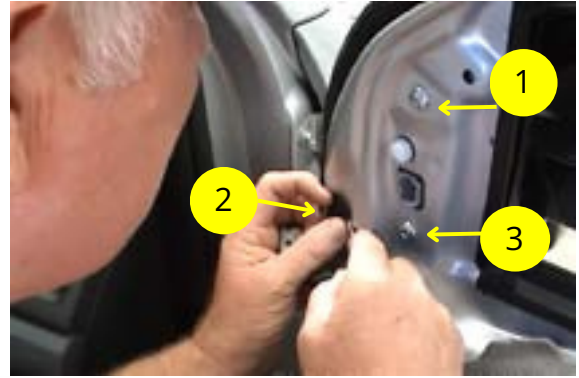
Once you have removed the screws from the arm rest, you will need to remove the 2 screws on the bottom of the exterior door. Then, remove the door panel completely.

Step 6

Using your hook, hang the door trim off the door. Locate the cables from your mirror running into the connector, and unplug them.



Step 7



Using your panel removing tool, remove the round rubber cover.



Use a Torq 30 (T30) to remove the 2 bottom screws in the quarter panel, followed by the top. Then gently remove. Ensure you have a firm grip of the mirror whilst commencing this step.



HANDY TIP: Keep your original OEM mirrors as back up should something happen to one of your Clearview Mirrors, necessitating the need to return it to us for repairs.

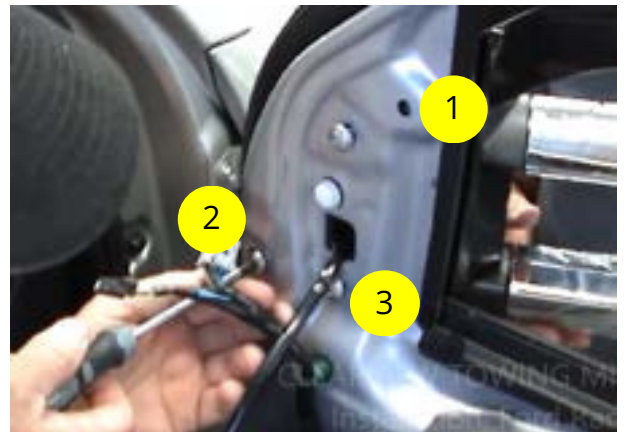
Fitting Instruction

Step 8

Locate your Clearview Towing Mirror, and align it to the quarter panel. Ensure that you do not trap any wires or the rubber seal.



Step 9



Begin to re-bolt the 3 screws you removed. Starting from the top to the bottom. Ensure you do not overtighten.

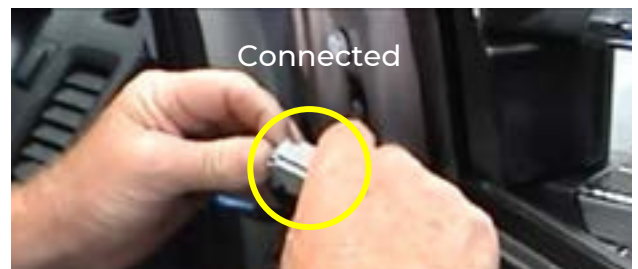
Step 10

Plug your cables into the connector.

It is now time to begin testing that your Clearview Mirrors are operating correctly. Test your mirror functionality to ensure they run the correct way; Indicate left, indicate right, electrically adjust your mirror view etc.

If your mirror functions correctly, it is now time to re-affix your door panels into position.

If your mirror is not functioning properly, see our troubleshooting on page 20 or follow the instructions again just in case a step has been missed.



Step 11



Remove the hook, and re-align the door panel. Ensure that the clips are aligned.

Fitting Instruction

Step 12



Locate the 4 Phillips head screws, and bolt them back into their original locations.

Step 13

With your torque 20 screw, re-bolt the screw back behind the door latch.



Step 14



If wires are visible, feed them into the exterior, ensuring they are hidden. Place remaining exterior trim black into their original position.

Once the door trim is installed, please check the operation of the mirror once more to ensure that nothing went wrong during the reinstallation of the panel.

Congratulations! You have now fully installed your new Clearview Towing Mirrors and are ready for your next adventure!

Can I install Clearview mirrors myself?

Yes! Depending on the complexity of the installation, Clearview mirrors are extremely easy to install and mount to the vehicle's original OEM mirror mounts. Depending on the vehicle's current mirror options, Clearview mirrors include plug and play wiring looms. Instructional videos are also available on our website (clearviewaccessories.com.au) in the "HOW TO" section. Clearview recommends that any installation requiring hard wiring be done by a licensed auto electrician.

What is the fitting time?

Depending on the complexity of the installation, a dealer should be able to install the mirrors in approximately 15 minutes per side of the vehicle. Installation requiring special fitting and/or hard wiring will require longer fitting times (eg: Camera and electric wiring kits). Note: The 70 Series mirrors with electrics are more complex and will take more time than a 'normal' vehicle fitting. Please contact Clearview mirrors if you have any questions about fitting or wiring.

Are the telescopic arms electric?

No. The telescopic arms are extended manually. Clearview Mirrors will only fold against the vehicle electronically provided we make that model in Power Fold.

Can I retrofit the original mirror base to the Next Gen or Compact mirrors?

No. The cost of converting the mirrors to suit the new models is not worth it. We recommend either selling your Original mirrors privately or through the "Pre-Loved" section (Within the "Shop" menu category) of our website and purchasing the new Next Gen or Compact mirrors brand new.

Can I add an indicator later if I didn't order the mirrors with an indicator?

Yes, you can. But it comes at a greater expense than if you were to order the mirrors with indicators. Installation to the mirror head will require longer time and more parts to dismantle.

Are spare parts available?

Yes. We have a list of spare parts for all our mirrors on our website. Our dealers also have a list of all our spare parts.. If you cannot find the parts that you require, please contact us or any of our dealers to assist you with your inquiry

How do I maintain my mirrors?

We recommend using WD-40 Dry Lubricate.

How do I maintain my Powerfold mirrors?

Under normal Powerfold operation, there shouldn't be any maintenance required. However, if it is regularly used off-road, then the mirrors may need to be maintained every 12 months. This maintenance involves pulling the mirror into the fully extended position and applying dry lubricant on the arms.

I have just installed my new Powerfold mirrors and the mirror heads appear to be loose/floppy?

After the mirrors are installed, they need to be cycled a few times. This will allow all the internal mechanisms to set and find the proper positions. If the mirror head is still loose/floppy after they're cycled, please contact Clearview Technical Support.

I have installed my Powerfold Mirrors and have noticed that the Passenger's side mirror is closer to the vehicle compared to the Driver's side; Is this normal?

This is completely normal. In most vehicles, the mirror housings are angled differently between the driver and passenger side. This is because when you sit in the car, you are off centre, so generally the passenger side mirrors are closer to the vehicle body to allow you to have the same field of vision in the mirror.

One of my Powerfold Mirrors folds/opens quicker than the other one; Is this normal?

Generally, the passenger mirror will fold/open quicker, as it is closer to the vehicle body and therefore travels a shorter distance compared to the driver's side mirror. See previous question in regards to why the mirrors are angled differently.

My mirrors have been knocked out of Driving Position; how do I fix it?

Press the powerfold switch once. This should initiate the powerfolding motors and the mirrors should start folding inwards. Wait until the mirrors are fully folded in and have stopped moving, then press the powerfold switch again. This should now bring your mirrors back out to normal driving position. Check and see if the mirrors are locked into position firmly. If the mirror is not returning to the normal position, please contact Clearview Technical Support.

***Note:** The Powerfold mirrors can fold manually, however the manual fold mechanism is only designed as a safety feature. Through the lifespan of the product, manual folding will occur, such as people walking into them or accidentally bumping them. The internal mechanisms are designed to withstand this accidental manual folding during normal usage. It is not recommended for the mirrors to be manually folded constantly, as it will prematurely wear out the internal folding mechanisms and reduce the lifespan of the product.*

My mirror was knocked out of driving position. When I cycled them, there is a clicking sound and the mirror appears to have "jumped"; Are my mirrors damaged?

When the Powerfold mirror is being cycled to find its original driving position, it will "jump" back into position and make an audible click sound when mechanisms realign. Once the mirrors have found the original position and have been cycled, check for looseness and mirror movement. If they feel firm, then the mirrors have not been damaged. If they still feel loose, please contact Clearview Technical Support.

Why don't my mirrors fold all the way in/out when I press the switch?

The circuit breaker inside the mirror activates when the electrical current increases due to resistance. If the mirror stops before it reaches the folded in/out position, that means something is adding resistance while the mirrors are folding, hence activating the circuit breaker before it has reached the desired position. Please contact Clearview Technical Support.