

MINALOX

CATALOGUE 2021
VOLUME 1



MICHAL ŠVEC
company founder
MINALOX

LIGHT AT THE BEGINNING OF THE TUNNEL

„At the very beginning, it was not my plan to build a company, which will deal with lightning. I only wanted to build a smart home, where I could be happy with my family. At the same time, I believed that it does not take a lot of money to turn the house into a truly cozy home; you only need to spend it wisely. Just like air temperature is important in the interior, so is the temperature and intensity of the light. Light creates the actual homely atmosphere, which can improve productivity or calm down after a difficult day. Light comfort is also reflected in mental balance and I wanted to find a solution, which will suit all family members. Therefore, I set these 3 basic criteria:

- 1. Lightning will adapt to us, not the other way around**
- 2. Energy consumption will be low**
- 3. Controls will be simple and safe**

I went after this goal, but suddenly I encountered a great barrier in our market. A total lack of information about the possibilities or unbelievably expensive solutions. This motivated me to action. I have combined existing technologies for a reasonable price, whereby they had to meet the requirement of safety and simplicity. A couple of days after installation and testing, my family and I realized that this was exactly what we wanted. Suddenly our home was full of tranquility everyone dreams about. And I have gained a lot of experience I would like to share with you.

I have designed my own series of light bulbs, LED strips and lights under the name Minalox, but especially a functional lightning system for smart homes. Each interior requires something different. A different style, function or design. Today, we can design and deliver solutions for family homes as well as companies, all custom-designed to meet your needs. All the projects we have implemented and all the satisfied customers are the testimony to our excellent solutions. And now we would love to illuminate your home as well“.

A handwritten signature in blue ink, consisting of a stylized 'M' followed by a flourish.

Michal Švec



WHY SHOULD I CHOOSE MINALOX PRODUCTS

UNIQUE FEATURES

24 VOLTS

Safety, energy savings and long service life are the main advantages of solutions using 24 Volts.

DIMMABILITY

We adapt the light intensity to our various activities throughout the day. When we are productive, we need to be stimulated with more intense light, while in the evening we relax and recharge in soft light. We can adapt all of this to your needs.

CRI 90+ INDEX OF TRUE COLOR REPRODUCTION

This information expresses how much the artificial light is similar to the natural light. The higher the CRI, the more realistic the colors appear to be. If the index is too low, the light can cause distorted perception, fatigue and lower concentration. All Minalox products have a high level of CRI.

QUALITY OF LIFE

Light has a fundamental impact on our health, mood, performance, as well as quality of rest. It accompanies us throughout our day; from the moment we wake up and throughout various activities we do, it co-creates the right atmosphere. If it is necessary, it stimulates us to performance or relaxes us during our rest time.

GREAT PRICE

Quality is crucial to us. Therefore, we do not compromise and use only high-quality materials. How then do we achieve favorable prices of overall solutions? The trick is in the combination of the used technologies, which allow for simpler and therefore cheaper solutions than those commonly available and used.

MINALOX

LED BULBS

24 V
STR 11-14



T30 T45 A60 ST58 ST64 G80 G95 G125

24 V
STR 15-16



C35 E14 C35 A60F A60

24 V
STR 17-19



G9 2700K G9 3000K G9 4500K A70 2700K A70 4500K

24 V
STR 20-22



GU10 5W 60° 3000K GU10 5W 60° 4500 K GU10 8W 10° 3000 K GU10 8W 10° 4500 K GU10 8W 60° 3000 K GU10 8W 60° 4500 K

230 V
STR 23-24



G125 A60 G80 G95

LED PANELS

24 V
STR 27-30



LP 120S LP 120R LP 170S LP 170R LP 200S LP 200R LP 300S LP 300R

LED SPOT LIGHTS

24 V
STR 33-36



D85 DUALWHITE D85 RGBW D110 DUALWHITE D103 DUALWHITE D42 DUALWHITE D48 DUALWHITE LED MODUL DUALWHITE LED MODUL RGBW

LED STRIPS

24 V
STR 39-42



LED STRIP 120 DUALWHITE LED STRIP 240 DUALWHITE LED STRIP 120 DUALWHITE LED STRIP 240 DUALWHITE LED STRIP 60 RGBW LED STRIP 72 RGBW LED STRIP 96 RGBW

LED BULBS

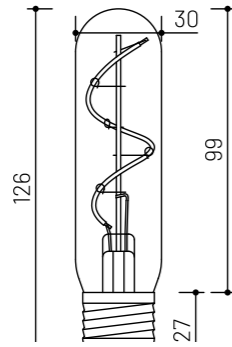
We offer the 24 Volts dimmable Minalox bulbs as one of few manufacturers in the market. The big advantages of this voltage are safety of use, the bulbs do not spark and there is no risk of electric shock. At the same time, they are low-energy, so they save energy and have a long service life – up to 13 years under ordinary household use. We deliver them with different types of bases (E27, E14, GU10, G9) and we constantly expand our offer.

You can change the light intensity at your will – increase it or decrease it, because the Minalox installation solution includes a technically undemanding dimming electronics. The dimmer can be used simultaneously for several lights, since it is installed into the light circuit. The big advantage of this solution is the price, which is around €9 per one circuit (the price is double for other available solutions and it is not compatible with 24 Volts voltage).

The ever-growing offer of bulbs covers different requirements for design, shape, intensity and color of light, thus satisfying even the most demanding clients.

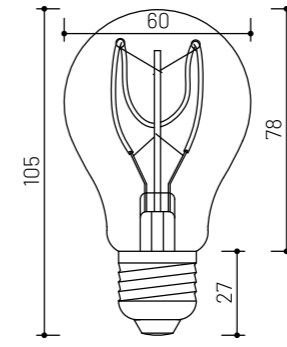


LED BULBS



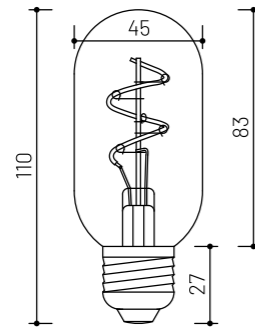
FILAMENT SMOKY GOLD T30 E27 2W 24V 3000K LED CE

Base	Intensity	Input	Voltage	CCT	Lightning Angle	DIMM	CRI	Dimensions	Color	Design	Body
E27	>160 lm	2 W	24 V	3000 K	360°	Yes	Ra > 90	Ø 30 x 126 mm	Gold -Smoky Gold	Glass	T30



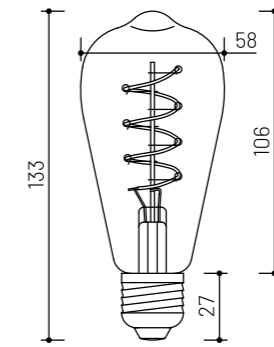
FILAMENT SMOKY GOLD A60 E27 2W 24V 3000K LED CE

Base	Intensity	Input	Voltage	CCT	Lightning Angle	DIMM	CRI	Dimensions	Color	Design	Body
E27	>160 lm	2 W	24 V	3000 K	360°	Yes	Ra > 90	Ø 60 x 105 mm	Gold -Smoky Gold	Glass	A60



FILAMENT SMOKY GOLD T45 E27 2W 24V 3000K LED CE

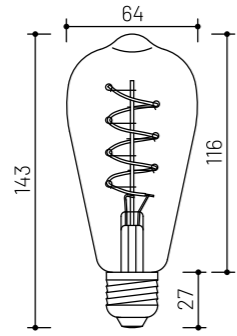
Base	Intensity	Input	Voltage	CCT	Lightning Angle	DIMM	CRI	Dimensions	Color	Design	Body
E27	>160 lm	2 W	24 V	3000 K	360°	Yes	Ra > 90	Ø 45 x 110 mm	Gold -Smoky Gold	Glass	T45



FILAMENT SMOKY GOLD ST58 E27 4W 24V 3000K LED CE

Base	Intensity	Input	Voltage	CCT	Lightning Angle	DIMM	CRI	Dimensions	Color	Design	Body
E27	>320 lm	4 W	24 V	3000 K	360°	Yes	Ra > 90	Ø 58 x 133 mm	Gold -Smoky Gold	Glass	ST58

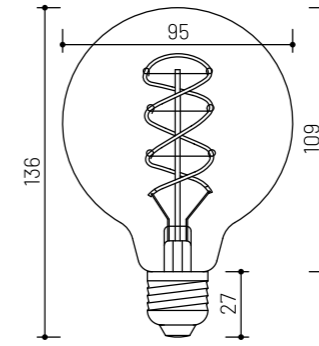
LED BULBS



-
-
-

FILAMENT SMOKY GOLD ST64 E27 4W 24V 3000K LED CE

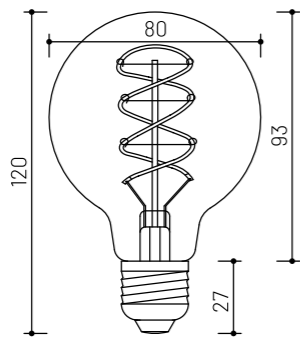
Base	Intensity	Input	Voltage	CCT	Lightning Angle	DIMM	CRI	Dimensions	Color	Design	Body
E27	> 320 lm	4 W	24 V	3000 K	360°	Yes	Ra > 90	Ø 64 x 140 mm	Gold -Smoky Gold	Glass	ST64



-
-
-

FILAMENT SMOKY GOLD G95 E27 4W 24V 3000K LED CE

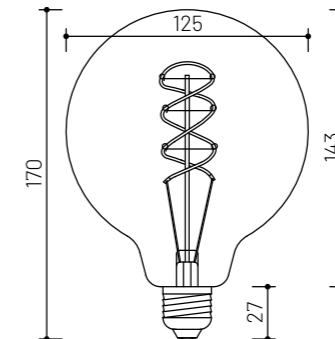
Base	Intensity	Input	Voltage	CCT	Lightning Angle	DIMM	CRI	Dimensions	Color	Design	Body
E27	> 320 lm	4 W	24 V	3000 K	360°	Yes	Ra > 90	Ø 95 x 136 mm	Gold -Smoky Gold	Glass	G95



-
-
-

FILAMENT SMOKY GOLD G80 E27 4W 24V 3000K LED CE

Base	Intensity	Input	Voltage	CCT	Lightning Angle	DIMM	CRI	Dimensions	Color	Design	Body
E27	> 320 lm	4 W	24 V	3000 K	360°	Yes	Ra > 90	Ø 80 x 120 mm	Gold -Smoky Gold	Glass	G80

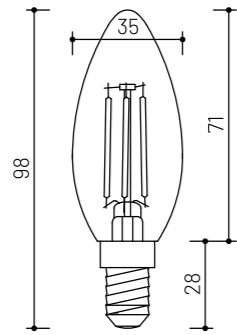


-
-
-

FILAMENT SMOKY GOLD G125 E27 4W 24V 3000K LED CE

Base	Intensity	Input	Voltage	CCT	Lightning Angle	DIMM	CRI	Dimensions	Color	Design	Body
E27	> 320 lm	4 W	24 V	3000 K	360°	Yes	Ra > 90	Ø 125 x 170 mm	Gold -Smoky Gold	Glass	G125

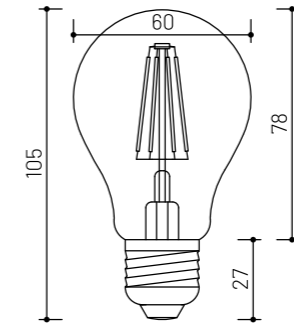
LED BULBS



- DC 24 V
- 0%-100%
- CRI 90+

EDISON C35 E14 4W 24V 3000K LED CE

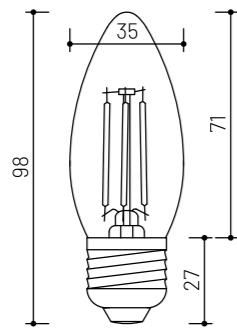
Base	Intensity	Input	Voltage	CCT	Lightning Angle	DIMM	CRI	Dimensions	Color	Design	Body
E14	> 320 lm	4 W		3000 K	360°	Yes	Ra > 90	Ø 35 x 98 mm	Clear	Glass	C35



- DC 24 V
- 0%-100%
- CRI 90+

EDISON FROSTED A60 E27 8W 24V 3000K LED CE

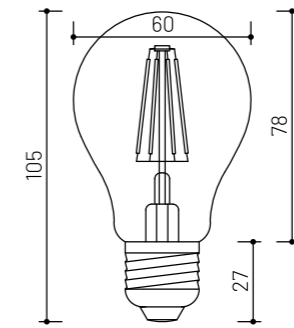
Base	Intensity	Input	Voltage	CCT	Lightning Angle	DIMM	CRI	Dimensions	Color	Design	Body
E27	> 640 lm	8 W	24 V	3000 K	360°	Yes	Ra > 90	Ø 60 x 105 mm	Semi-milky	Glass	A60



- DC 24 V
- 0%-100%
- CRI 90+

EDISON C35 E27 4W 24V 3000K LED CE

Base	Intensity	Input	Voltage	CCT	Lightning Angle	DIMM	CRI	Dimensions	Color	Design	Body
E27	> 320 lm	4 W		3000 K	360°	Yes	Ra > 90	Ø 35 x 98 mm	Clear	Glass	C35

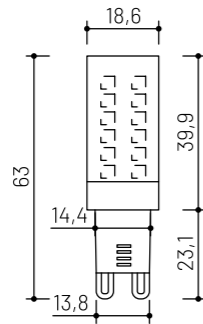


- DC 24 V
- 0%-100%
- CRI 90+

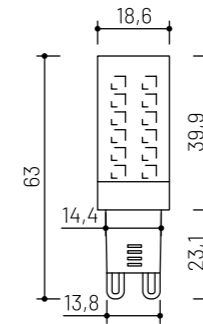
EDISON A60 E27 8W 24V 3000K LED CE

Base	Intensity	Input	Voltage	CCT	Lightning Angle	DIMM	CRI	Dimensions	Color	Design	Body
E27	> 640 lm	8 W	24 V	3000 K	360°	Yes	Ra > 90	Ø 60 x 105 mm	Clear	Glass	A60

LED BULBS



- DC 24 V
- 0%-100%
- CRI 90+



- DC 24 V
- 0%-100%
- CRI 90+

G9 3W 24V 2700K LED CE

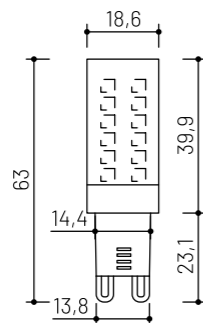
G9 3W 24V 4000K LED CE

16

Base	Intensity	Input	Voltage	CCT	Lightning Angle	DIMM	CRI	Dimensions	Color	Design	Body
G9	> 300 lm	3 W		2700 K	360°	Yes	Ra > 93	Ø 18,6 x 63 mm	White	Semi-milky PC	PC

17

Base	Intensity	Input	Voltage	CCT	Lightning Angle	DIMM	CRI	Dimensions	Color	Design	Body
G9	> 380 lm	3 W		4000 K	360°	Yes	Ra > 93	Ø 18,6 x 63 mm	White	Semi-milky PC	PC

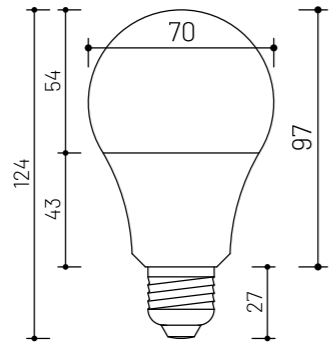


- DC 24 V
- 0%-100%
- CRI 90+

G9 3W 24V 3000K LED CE

Base	Intensity	Input	Voltage	CCT	Lightning Angle	DIMM	CRI	Dimensions	Color	Design	Body
G9	> 350 lm	3 W		3000 K	360°	Yes	Ra > 90	Ø 18,6 x 63 mm	White	Semi-milky PC	PC

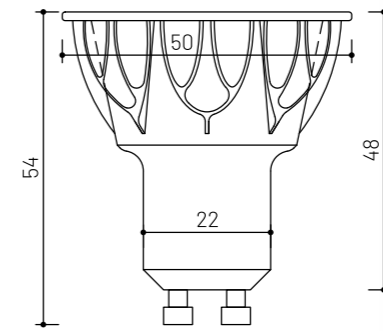
LED BULBS



-
-
-

A70 E27 10W 24V 2700K LED CE

Base	Intensity	Input	Voltage	CCT	Lightning Angle	DIMM	CRI	Dimensions	Color	Design	Body
E27	>1100 lm	10 W		2700 K	360°	Yes	Ra > 90	Ø 70 x 124 mm	White	Thermal Plastic	Aluminum



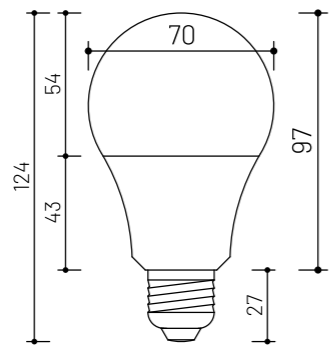
-
-
-

GU10 5W 24V 60° 3000K LED CE

Base	Intensity	Input	Voltage	CCT	Lightning Angle	DIMM	CRI	Dimensions	Color	Design	Body
GU10	> 400 lm	5 W	24 V	3000 K	60°	Yes	Ra > 90	Ø 50 x 57,5 mm	Black	Lens	Aluminum

18

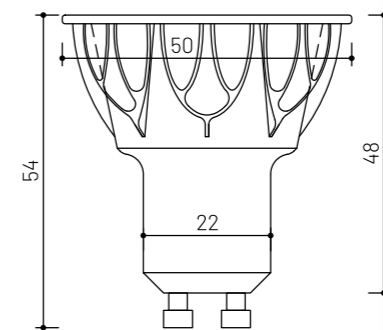
19



-
-
-

A70 E27 10W 24V 4500K LED CE

Base	Intensity	Input	Voltage	CCT	Lightning Angle	DIMM	CRI	Dimensions	Color	Design	Body
E27	>1230 lm	10 W		4500 K	360°	Yes	Ra > 90	Ø 70 x 124 mm	White	Thermal Plastic	Aluminum

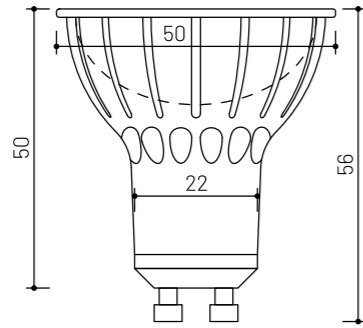


-
-
-

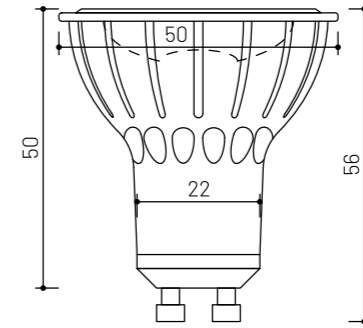
GU10 5W 24V 60° 4500K LED CE

Base	Intensity	Input	Voltage	CCT	Lightning Angle	DIMM	CRI	Dimensions	Color	Design	Body
GU10	> 400 lm	5 W	24 V	4500 K	60°	Yes	Ra > 90	Ø 50 x 57,5 mm	Black	Lens	Aluminum

LED BULBS



- DC 24 V
- 0%-100%
- CRI 90+



- DC 24 V
- 0%-100%
- CRI 90+

GU10 8W 24V 10° 3000K LED CE

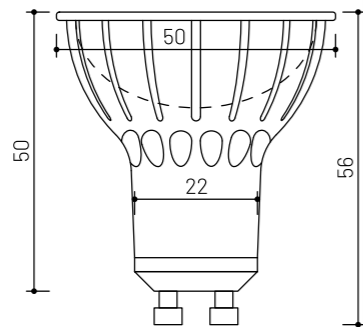
GU10 8W 24V 60° 3000K LED CE

20

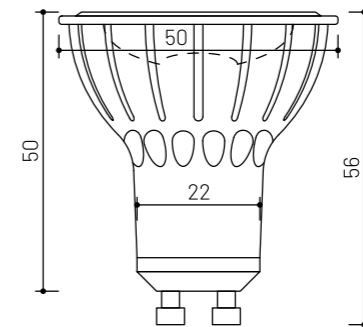
Base	Intensity	Input	Voltage	CCT	Lightning Angle	DIMM	CRI	Dimensions	Color	Design	Body
GU10	> 640 lm	8 W	24 V	3000 K	10°	Yes	Ra > 90	Ø 50 x 57,5 mm	White	Lens	Aluminum

Base	Intensity	Input	Voltage	CCT	Lightning Angle	DIMM	CRI	Dimensions	Color	Design	Body
GU10	> 640 lm	8 W	24 V	3000 K	60°	Yes	Ra > 90	Ø 50 x 57,5 mm	White	Lens	Aluminum

21



- DC 24 V
- 0%-100%
- CRI 90+



- DC 24 V
- 0%-100%
- CRI 90+

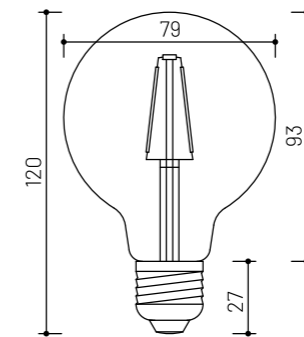
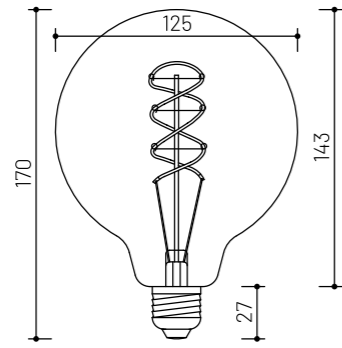
GU10 8W 24V 10° 4500K LED CE

GU10 8W 24V 60° 4500K LED CE

Base	Intensity	Input	Voltage	CCT	Lightning Angle	DIMM	CRI	Dimensions	Color	Design	Body
GU10	> 640 lm	8 W	24 V	4500 K	10°	Yes	Ra > 90	Ø 50 x 57,5 mm	White	Lens	Aluminum

Base	Intensity	Input	Voltage	CCT	Lightning Angle	DIMM	CRI	Dimensions	Color	Design	Body
GU10	> 640 lm	8 W	24 V	4500 K	60°	Yes	Ra > 90	Ø 50 x 57,5 mm	White	Lens	Aluminum

LED BULBS



FILAMENT SMOKY GOLD G125 E27 4W 230V 3000K LED CE

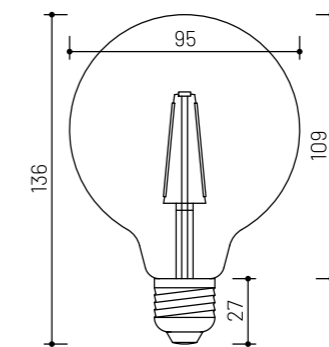
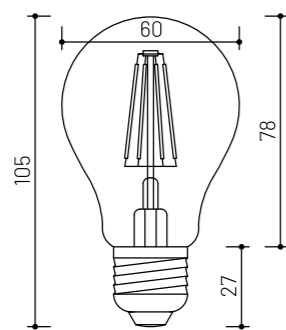
EDISON G80 E27 4W 230V 3000K LED CE

22

Base	Intensity	Input	Voltage	CCT	Lightning Angle	DIMM	CRI	Dimensions	Color	Design	Body
E27	> 320 lm	4 W	230 V	3000 K	360°	Yes	Ra > 90	Ø 125 x 170 mm	Gold -Smoky Gold	Glass	G125

Base	Intensity	Input	Voltage	CCT	Lightning Angle	DIMM	CRI	Dimensions	Color	Design	Body
E27	> 320 lm	4 W	230 V	3000 K	360°	Yes	Ra > 90	Ø 80 x 120 mm	Clear	Glass	G80

23



EDISON FROSTED A60 E27 8W 230V 3000K LED CE

EDISON G95 E27 4W 230V 3000K LED CE

Base	Intensity	Input	Voltage	CCT	Lightning Angle	DIMM	CRI	Dimensions	Color	Design	Body
E27	> 640 lm	8 W	230 V	3000 K	360°	Yes	Ra > 90	Ø 60 x 105 mm	Semi-milky	Glass	A60

Base	Intensity	Input	Voltage	CCT	Lightning Angle	DIMM	CRI	Dimensions	Color	Design	Body
E27	> 320 lm	4 W	230 V	3000 K	360°	Yes	Ra > 90	Ø 95 x 136 mm	Clear	Glass	G95

LED PANELS

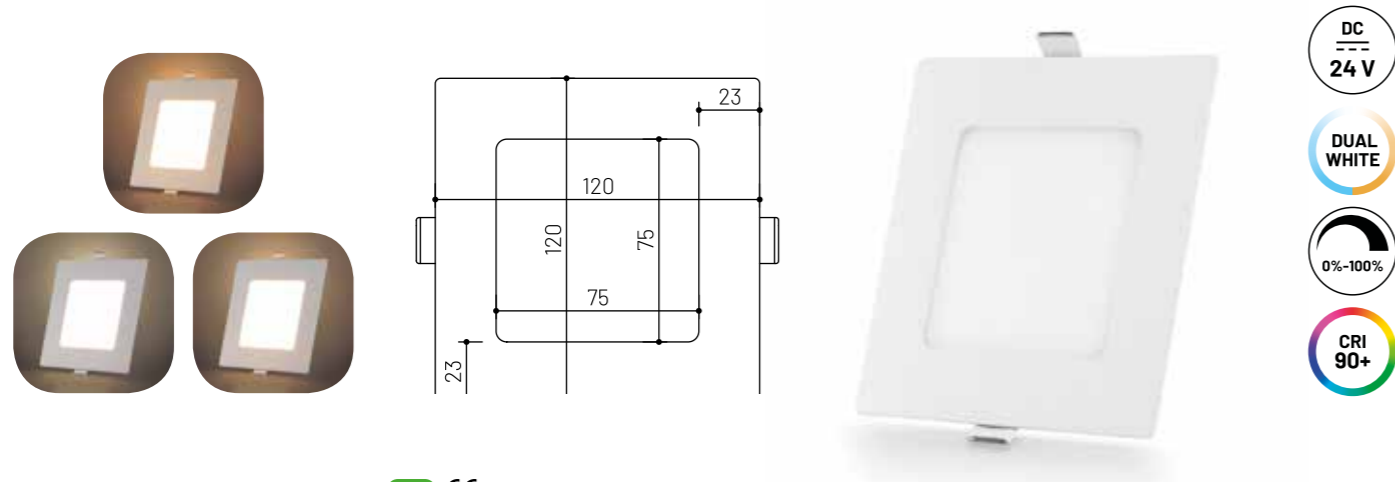
We also make low-voltage (24 Volts) LED panels, which is a rarity in this product category. The biggest advantages of low-voltage are safety of use and no risk of electric shock. At the same time, they are low-energy, which means they save energy and they have a long service life of up to 25,000 hours. The LED panels have an adjustable light spectrum in the DUALWHITE version, i.e., shades of white. We make them with a thin aluminum frame suitable even for minimalist interiors and they can be also use for primary and secondary illumination.

Harmonization of the light temperature is another advantage of our solutions. If you select different types of our LED products, you can be assured that they will go together. You can adjust not only the shade of color, but even the intensity of the LED strips to your liking.



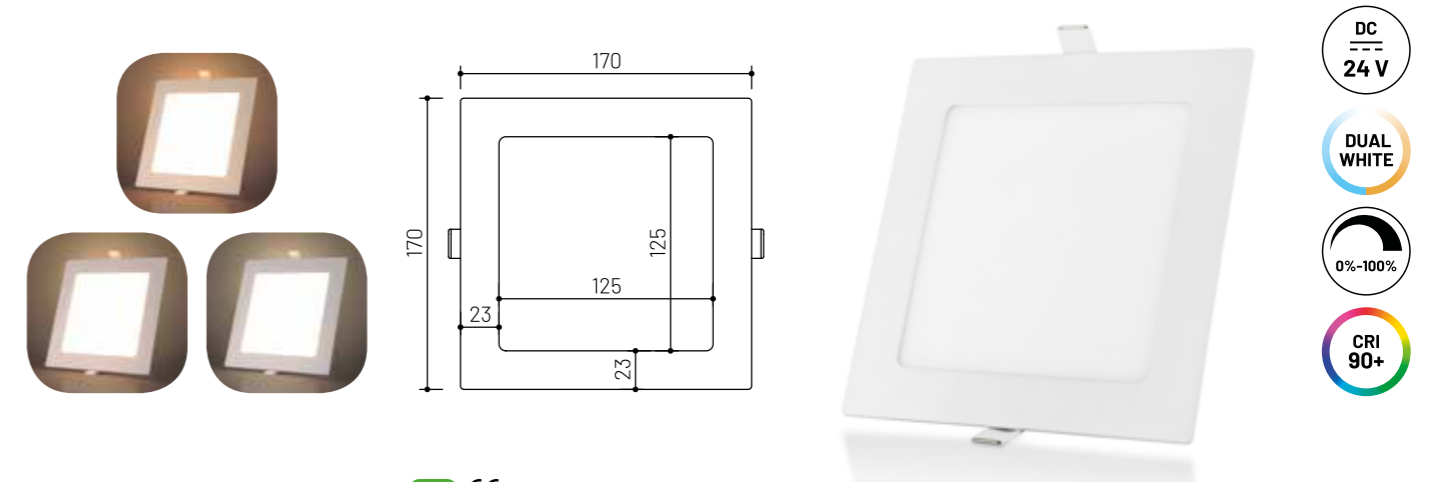
MINALOX

LED PANELS



- DC 24 V
- DUAL WHITE
- 0%-100%
- CRI 90+

LP 120S 6W 24V 2000K + 6000K LED CE



- DC 24 V
- DUAL WHITE
- 0%-100%
- CRI 90+

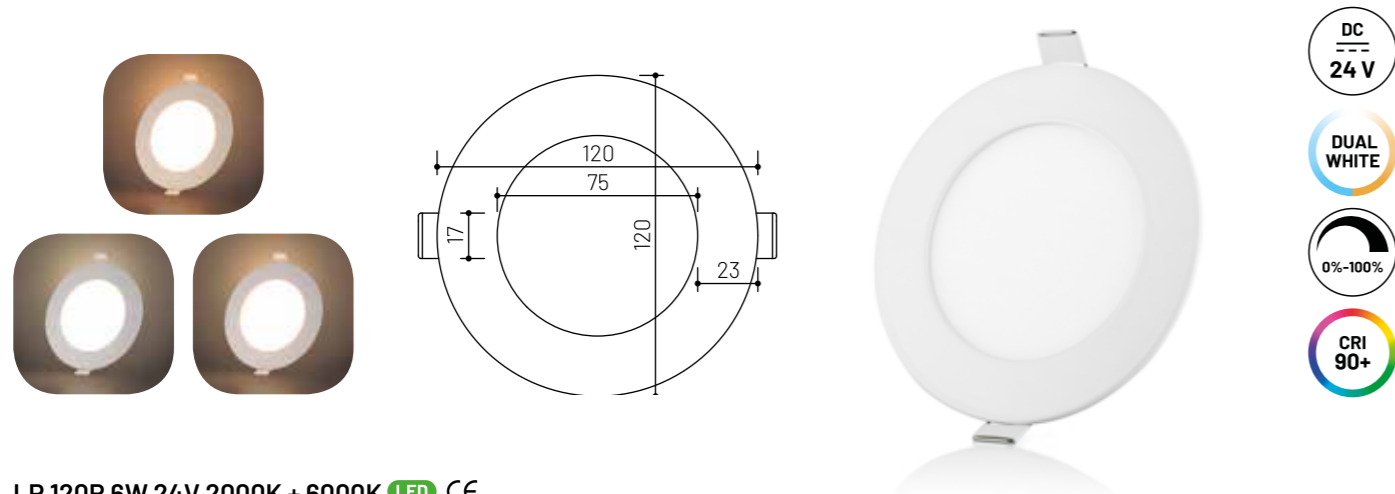
LP 170S 12W 24V 2000K + 6000K LED CE

26

Intensity	Input	Voltage	DUALWHITE	Lightning Angle	DIMM	CRI	Dimensions	Color	Design	Body
> 574 lm	6 W	24 V	2000 - 6000 K	120°	Yes	Ra>92	Ø 120 mm	White	Square	Aluminum

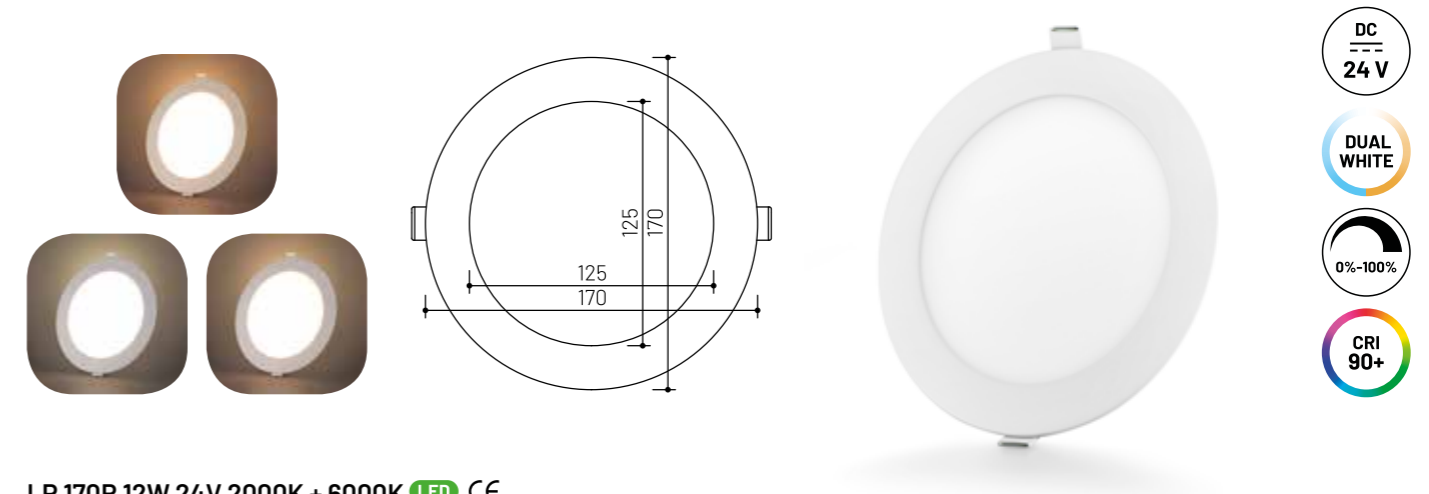
27

Intensity	Input	Voltage	DUALWHITE	Lightning Angle	DIMM	CRI	Dimensions	Color	Design	Body
> 1300 lm	12 W	24 V	2000 - 6000 K	120°	Yes	Ra > 92	Ø 170 mm	White	Square	Aluminum



- DC 24 V
- DUAL WHITE
- 0%-100%
- CRI 90+

LP 120R 6W 24V 2000K + 6000K LED CE



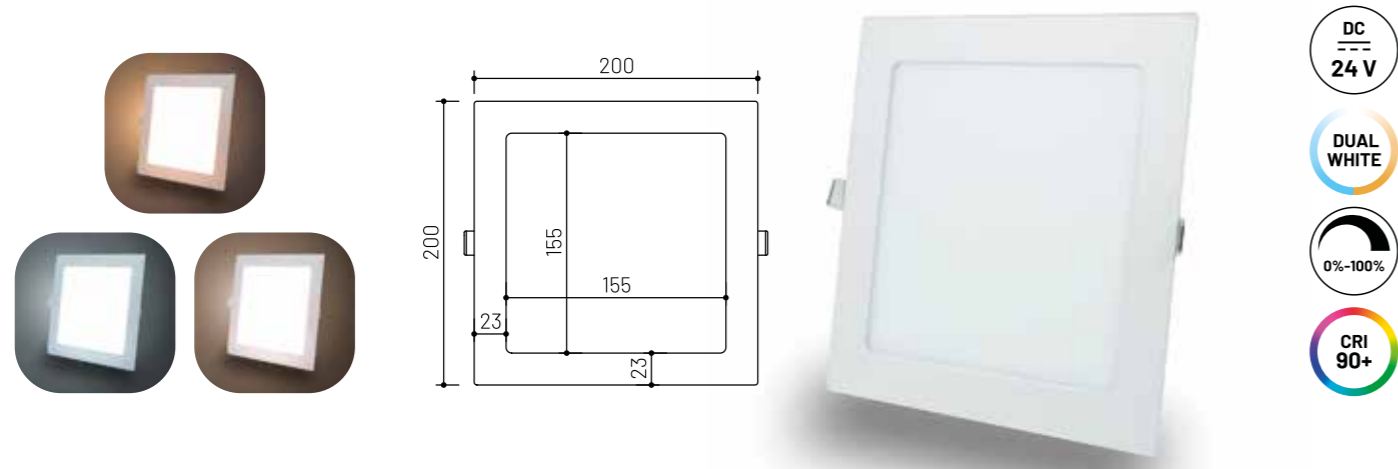
- DC 24 V
- DUAL WHITE
- 0%-100%
- CRI 90+

LP 170R 12W 24V 2000K + 6000K LED CE

Intensity	Input	Voltage	DUALWHITE	Lightning Angle	DIMM	CRI	Dimensions	Color	Design	Body
> 574 lm	6 W	24 V	2000 - 6000 K	120°	Yes	Ra>92	Ø 120 mm	White	Round	Aluminum

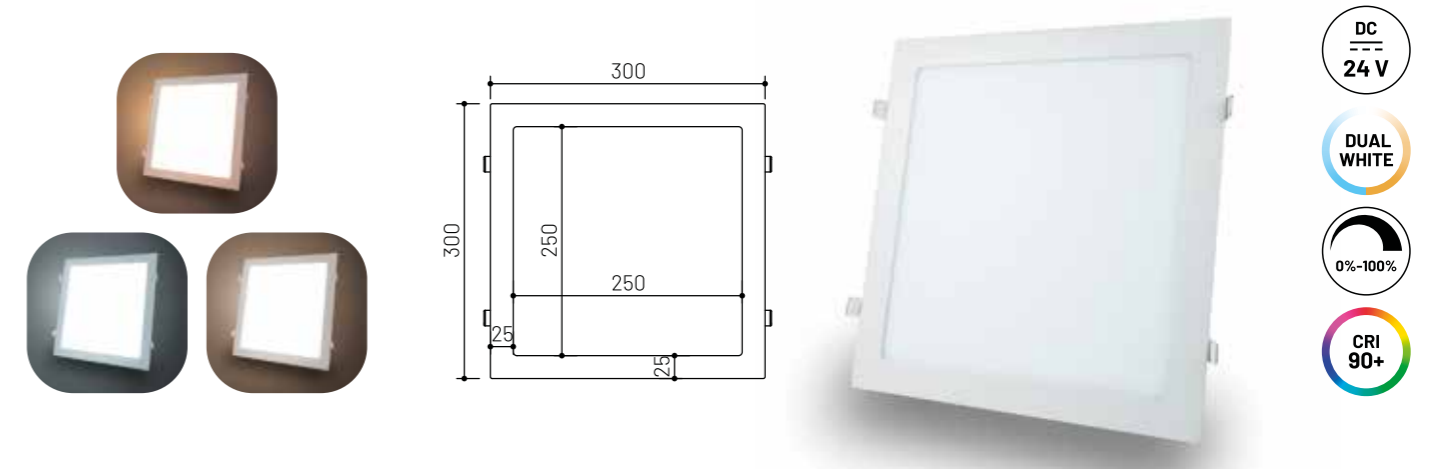
Intensity	Input	Voltage	DUALWHITE	Lightning Angle	DIMM	CRI	Dimensions	Color	Design	Body
> 1300 lm	12 W	24 V	2000 - 6000 K	120°	Yes	Ra > 92	Ø 170 mm	White	Round	Aluminum

LED PANELS



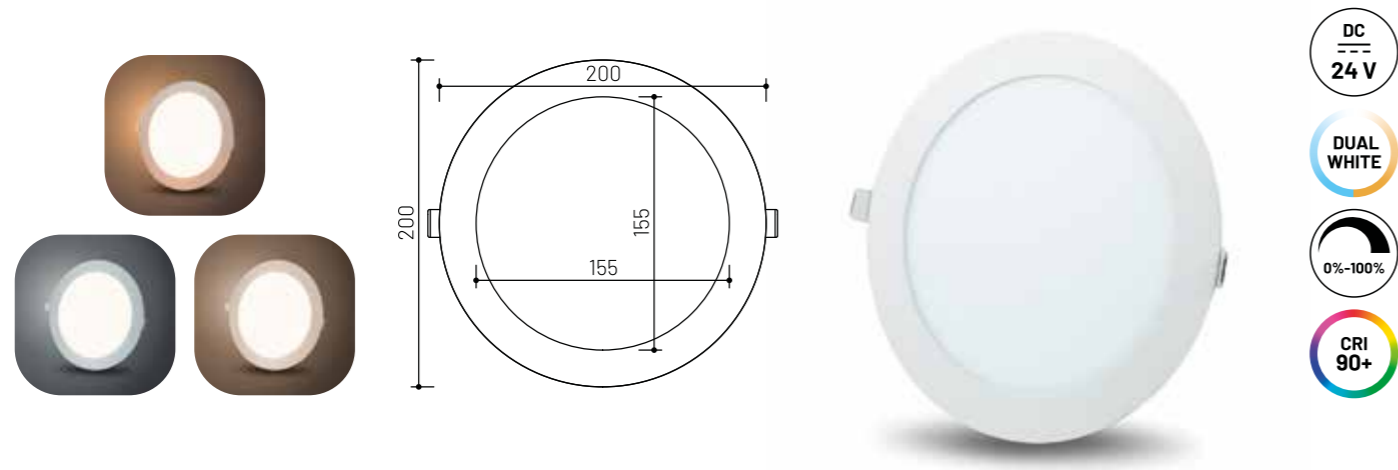
LP 200S 15W 24V 2000K + 6000K LED CE

Intensity	Input	Voltage	DUALWHITE	Lightning Angle	DIMM	CRI	Dimensions	Color	Design	Body
> 1380 lm	15,3 W	24 V	2000 - 6000 K	120°	Yes	Ra > 92	Ø 200 mm	White	Square	Aluminum



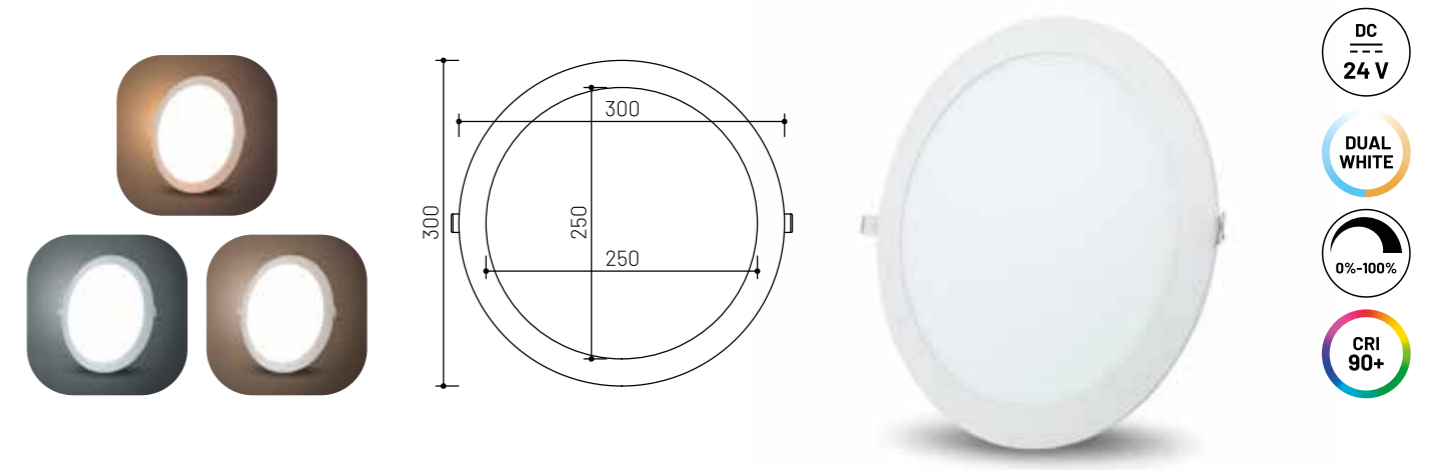
LP 300S 24W 24V 2000K + 6000K LED CE

Intensity	Input	Voltage	DUALWHITE	Lightning Angle	DIMM	CRI	Dimensions	Color	Design	Body
> 2300 lm	24 W	24 V	2000 - 6000 K	120°	Yes	Ra > 90	Ø 300 mm	White	Square	Aluminum



LP 200R 15W 24V 2000K + 6000K LED CE

Intensity	Input	Voltage	DUALWHITE	Lightning Angle	DIMM	CRI	Dimensions	Color	Design	Body
> 1380 lm	15,3 W	24 V	2000 - 6000 K	120°	Yes	Ra > 90	Ø 200 mm	White	Square	Aluminum



LP 300R 24W 24V 2000K + 6000K LED CE

Intensity	Input	Voltage	DUALWHITE	Lightning Angle	DIMM	CRI	Dimensions	Color	Design	Body
> 2300 lm	24 W	24 V	2000 - 6000 K	120°	Yes	Ra > 90	Ø 300 mm	White	Round	Aluminum

LED SPOT LIGHTS

Our lights are low-voltage (24V), which means they are safe for us and there are no risks of electric shock. They are energy-efficient and they have a long service life – up to 13 years under ordinary under ordinary household use.

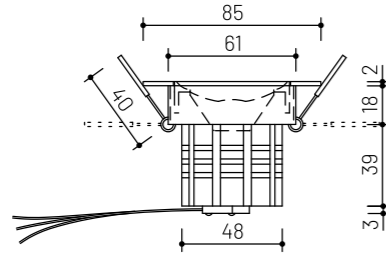
The light produced by our lights meets all the attributes of high-quality sought by experts. We offer our lights in the Single Color version, which produces only a single color of light, or with an adjustable spectrum of light in the DUALWHITE version, which is shades of white, or in the RGBW version, which has the full color spectrum.

The DUALWHITE light, with a warm white light containing a minimum of the blue component (chromaticity 1,800K) and a daytime white light (chromaticity 4,500K) is the exceptional product in our offer of Minalox lights. We offer it in the recessed version (suitable for ceilings) or as a spot attached light for interiors and exteriors.

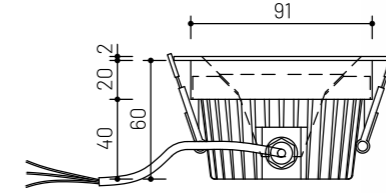


MINALOX

LED SPOT LIGHTS



- DC 24 V
- DUAL WHITE
- 0%-100%
- CRI 90+



- DC 24 V
- DUAL WHITE
- 0%-100%
- CRI 90+

LED DOWNLIGHT D85 24V DUALWHITE LED CE

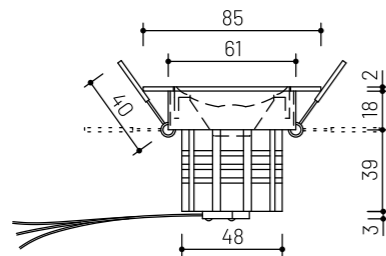
LED DOWNLIGHT D110 24V DUALWHITE LED CE

32

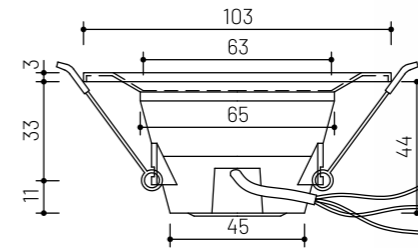
Intensity	Input	Voltage	DUALWHITE	Lightning Angle	DIMM	CRI	Dimensions	Installation Hole	Color	Design	Body
> 614 lm	8 W	24 V	2000 - 6000 K	38°	Yes	Ra > 95	Ø 85 x 63 mm	Ø 68 mm	White	Lens	Aluminum

Intensity	Input	Voltage	DUALWHITE	Lightning Angle	DIMM	CRI	Dimensions	Installation Hole	Color	Design	Body
> 579 lm	12 W	24 V	1800 - 4500 K	60°	Yes	Ra > 96	Ø 91 x 59 mm	Ø 90 mm	White	Reflector	Aluminum

33



- DC 24 V
- RGBW
- 0%-100%
- CRI 90+



- DC 24 V
- DUAL WHITE
- 0%-100%
- CRI 90+

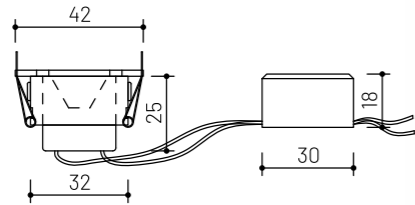
LED DOWNLIGHT D85 24V RGBW 2700 LED CE

LED DOWNLIGHT D103 24V DUALWHITE LED CE

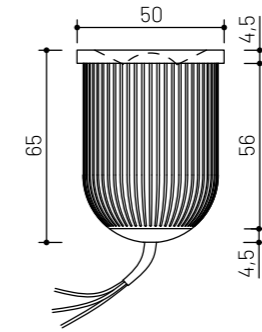
Intensity	Input	Voltage	RGBW	Lightning Angle	DIMM	CRI	Dimensions	Installation Hole	Color	Design	Body
> 400 lm	8 W	24 V		38°	Yes	Ra > 90	Ø 85 x 63 mm	Ø 68 mm	White	Lens	Aluminum

Intensity	Input	Voltage	DUALWHITE	Lightning Angle	DIMM	CRI	Dimensions	Installation Hole	Color	Design	Body
> 239 lm	3 W	24 V	1800 - 4500 K	120°	Yes	Ra > 96	Ø 103 x 44 mm	Ø 75 mm	White	Diffuser	PC

LED SPOT LIGHTS



- DC 24 V
- 0%-100%
- CRI 90+



- DC 24 V
- DUAL WHITE
- 0%-100%
- CRI 90+

LED DOWNLIGHT MINI D42 24V 2700K LED CE

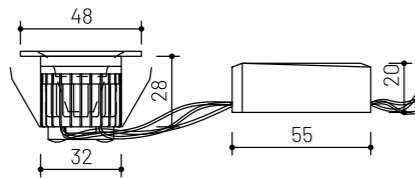
LED MODUL 24V DUALWHITE LED CE

34

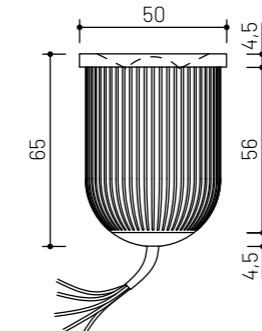
Intensity	Input	Voltage	CCT	Lightning Angle	DIMM	CRI	Dimensions	Installation Hole	Color	Design	Body
> 240 lm	3 W	24 V	2700 K	38°	Yes	Ra > 95	Ø 42 x 24,5 mm	Ø 35 mm	White	Reflector	Aluminum

Intensity	Input	Voltage	DUALWHITE	Lightning Angle	DIMM	CRI	Dimensions	Color	Design	Body
> 614 lm	8 W	24 V	2000 - 6000 K	60°	Yes	Ra > 96	Ø 60 x 50 mm	Silver	Lens	Aluminum

35



- DC 24 V
- DUAL WHITE
- 0%-100%
- CRI 90+



- DC 24 V
- RGBW
- 0%-100%
- CRI 90+

LED DOWNLIGHT MINI D48 24V DUALWHITE LED CE

LED MODUL 24V RGBW LED CE

Intensity	Input	Voltage	DUALWHITE	Lightning Angle	DIMM	CRI	Dimensions	Installation Hole	Color	Design	Body
> 148 lm	3 W	24 V	1800 - 4500 K	60°	Yes	Ra = 95	Ø 48 x 28 mm	Ø 35 mm	Black	Reflector	Aluminum

Intensity	Input	Voltage	RGBW	Lightning Angle	DIMM	CRI	Dimensions	Color	Design	Body
> 400 lm	8 W	24 V		60°	Yes	Ra > 96	Ø 60 x 50 mm	Silver	Lens	Aluminum

LED STRIPS

You can find in our offer LED strips with various intensities, assemblies and widths, thanks to which they are universal for use in different types of interiors.

The MINALOX LS 2835 120CUT is a sought-after product, the assembly of which allows for great variability, with an emphasis on each small detail, which our customers appreciate for example when they install it into furniture. As the product name suggests the MINALOX LS 2835 120CUT can be cut after each chip and thus adjust its length and shape to even the most demanding interior corners. Again, you can select your product type based on the required light color - shade of white, which will fine-tune the atmosphere of your space to perfection.



MINALOX

LED STRIPS

Technical diagram showing a 50mm wide LED strip with a 10mm height. The strip features a 5mm wide DC24V input section, a 21mm wide LED section, and a 5mm wide output section. The LED section contains 12 LEDs spaced at 50mm intervals. The total length of the strip is 500mm. The strip is labeled 'MINALOX'.

Icons: DC 24 V, DUAL WHITE, 0%-100% (Dimmable), CRI 90+.

LED STRIP DUALWHITE 2835 120 24W 24V 1800K + 4500K LED CE

Intensity	Input	Voltage	DUALWHITE	Lightning Angle	DIMM	CRI	PCB	Divisibility	Chip Type	Chip/m	Pack	IP
>1824 lm	24,2 W	24 V	1800 - 4500 K	120°	Yes	Ra > 93,7	10 mm	50 mm	SMD2835	120	5 m	20

Technical diagram showing a 50mm wide LED strip with a 10mm height. The strip features a 5mm wide DC24V input section, a 21mm wide LED section, and a 5mm wide output section. The LED section contains 12 LEDs spaced at 50mm intervals. The total length of the strip is 500mm. The strip is labeled 'MINALOX'.

Icons: DC 24 V, DUAL WHITE, 0%-100% (Dimmable), CRI 90+.

LED STRIP DUALWHITE 2835 120 24W 24V 2000K + 6000K LED CE

Intensity	Input	Voltage	DUALWHITE	Lightning Angle	DIMM	CRI	PCB	Divisibility	Chip Type	Chip/m	Pack	IP
>1984 lm	24 W	24 V	2000 - 6000 K	120°	Yes	Ra > 91,9	10 mm	50 mm	SMD2835	120	5 m	20

Technical diagram showing a 50mm wide LED strip with a 10mm height. The strip features a 5mm wide DC24V input section, a 14mm wide LED section, and a 5mm wide output section. The LED section contains 12 LEDs spaced at 50mm intervals. The total length of the strip is 500mm. The strip is labeled 'MINALOX'.

Icons: DC 24 V, DUAL WHITE, 0%-100% (Dimmable), CRI 90+.

LED STRIP DUALWHITE 2835 240 21W 24V 1800K + 4500K LED CE

Intensity	Input	Voltage	DUALWHITE	Lightning Angle	DIMM	CRI	PCB	Divisibility	Chip Type	Chip/m	Pack	IP
>1670 lm	20,5 W	24 V	1800 - 4500 K	120°	Yes	Ra > 93	10 mm	50 mm	SMD2835	240	5 m	20

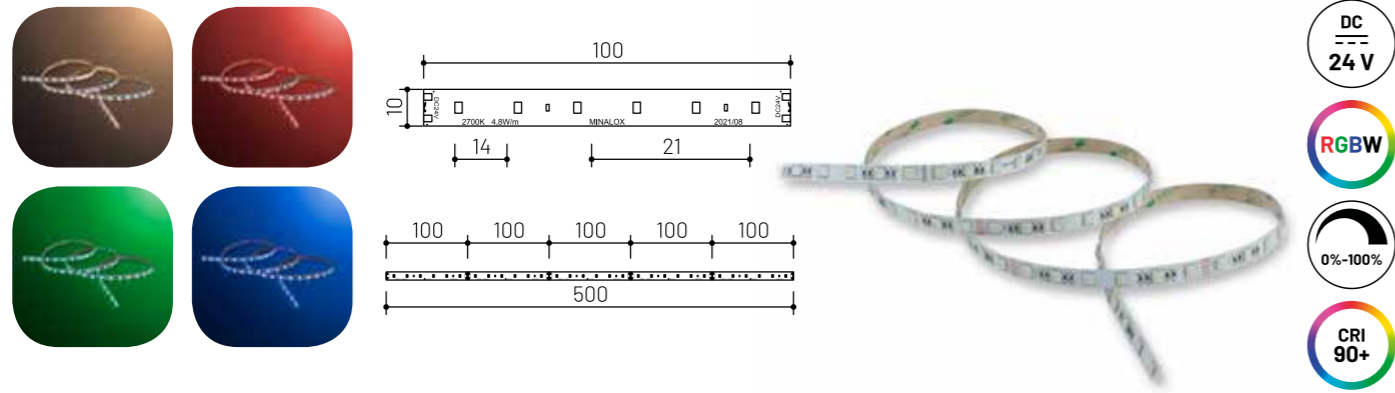
Technical diagram showing a 50mm wide LED strip with a 10mm height. The strip features a 5mm wide DC24V input section, a 14mm wide LED section, and a 5mm wide output section. The LED section contains 12 LEDs spaced at 50mm intervals. The total length of the strip is 500mm. The strip is labeled 'MINALOX'.

Icons: DC 24 V, DUAL WHITE, 0%-100% (Dimmable), CRI 90+.

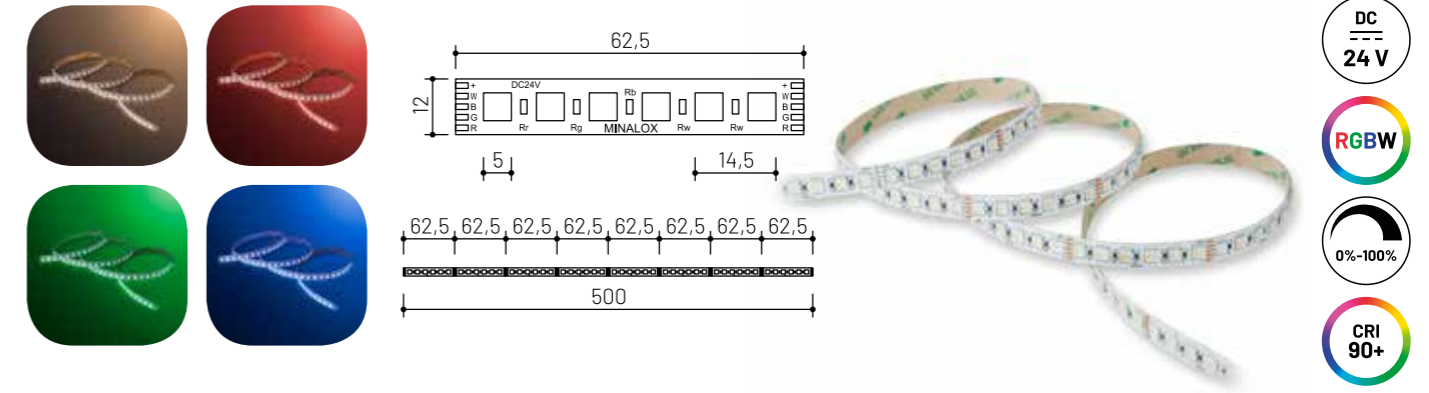
LED STRIP DUALWHITE 2835 240 21W 24V 2000K + 6000K LED CE

Intensity	Input	Voltage	DUALWHITE	Lightning Angle	DIMM	CRI	PCB	Divisibility	Chip Type	Chip/m	Pack	IP
>1690 lm	20,5 W	24 V	2000 - 6000 K	120°	Yes	Ra > 93,4	10 mm	50 mm	SMD2835	240	5 m	20

LED STRIPS



LED STRIP RGBW 5050 60 24V 2700K LED CE



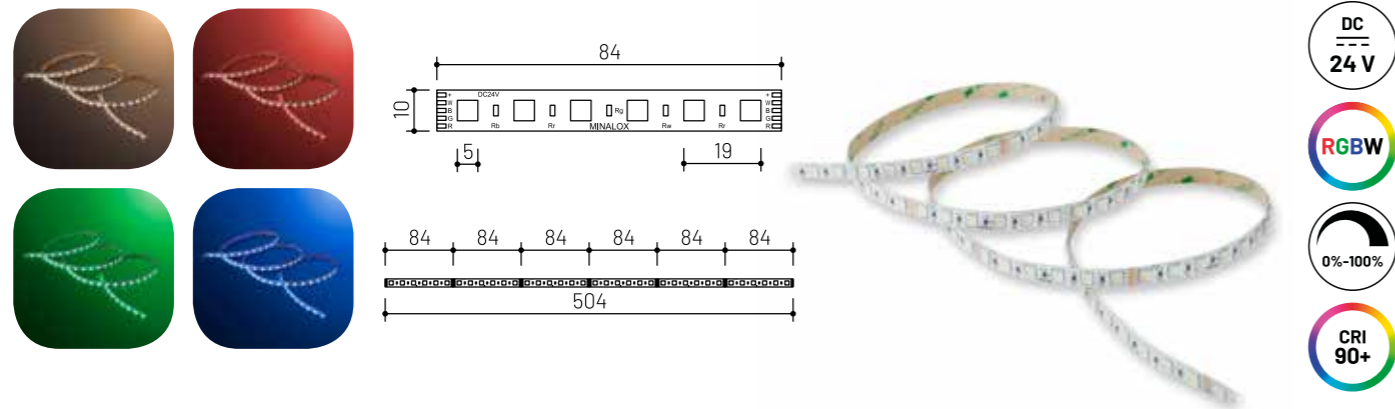
LED STRIP RGBW 5050 96 24V 2700K LED CE

40

Intensity	Input	Voltage	RGBW	Lightning Angle	DIMM	CRI	PCB	Divisibility	Chip Type	Chip/m	Pack	IP
> 1130 lm	20 W	24 V		120°	Yes	Ra = 83,4	10 mm	100 mm	SMD5050	60	5 m	20

41

Intensity	Input	Voltage	RGBW	Lightning Angle	DIMM	CRI	PCB	Divisibility	Chip Type	Chip/m	Pack	IP
> 1165 lm	28 W	24 V		120°	Yes	Ra = 92	12 mm	62,50 mm	SMD5050	96	5 m	20



LED STRIP RGBW 5050 72 24V 2700K LED CE

Intensity	Input	Voltage	RGBW	Lightning Angle	DIMM	CRI	PCB	Divisibility	Chip Type	Chip/m	Pack	IP
> 886 lm	22 W	24 V		120°	Yes	Ra > 92	10 mm	83,33 mm	SMD5050	72	5 m	20



MINALOX

WWW.MINALOX.SK