

CATALOG

MINALOX[®]
CABINET LED LIGHTS

COMPANY

MINALOX also specializes in LED furniture cabinet lighting. Our products include LED lights for cabinets, drawers, wardrobes, wine cabinets, and shelves. With nearly seven years of experience in the LED lighting industry, we have extensive knowledge in integrating the newest LED technologies into furniture. We provide our clients with top-notch products and effective lighting solutions. Our eco-friendly lights are designed to protect your eyes and enhance your home or workplace. They can improve mood and performance, increase energy, or help you relax.

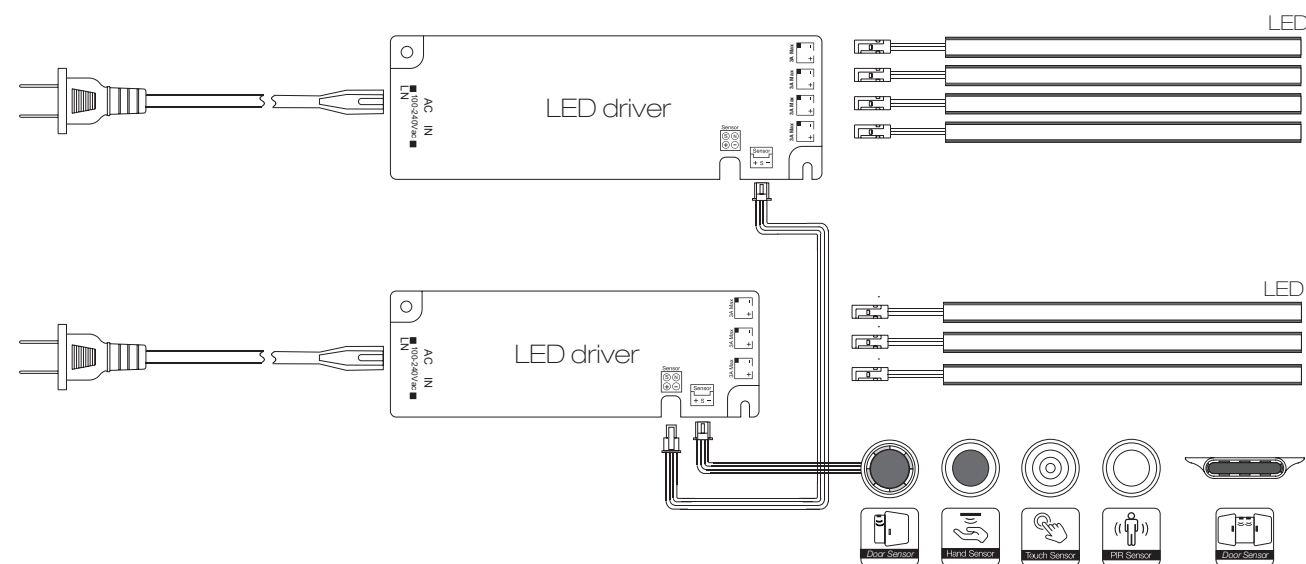
Looking ahead, MINALOX will keep merging cutting-edge LED advancements with furniture design. Together with our partners, we aim to lead the way in LED furniture cabinet lighting. Let's make the latest LED technology shine in your furniture!

LED DRIVER Series

Constant voltage power supply



MODEL	SIZE	INPUT VOLTAGE	OUTPUT VOLTAGE	MAX WATTAGE	PROTECTING RATING	CERTIFICATION
P1215FG	125X45X18mm	220-240Vac	DC12V & 24V	15W	IP20	LVD/EMC/ROHS/REACH/WEEE/ERP
P1224FG	125X45X18mm	220-240Vac	DC12V & 24V	24W	IP20	LVD/EMC/ROHS/REACH/WEEE/ERP
P1236FG	144X50X18mm	220-240Vac	DC12V & 24V	36W	IP20	LVD/EMC/ROHS/REACH/WEEE/ERP
P1260FG	172X61X18mm	220-240Vac	DC12V & 24V	60W	IP20	LVD/EMC/ROHS/REACH/WEEE/ERP
P12100FG	201X71X18mm	220-240Vac	DC12V & 24V	100W	IP20	LVD/EMC/ROHS/REACH/WEEE/ERP

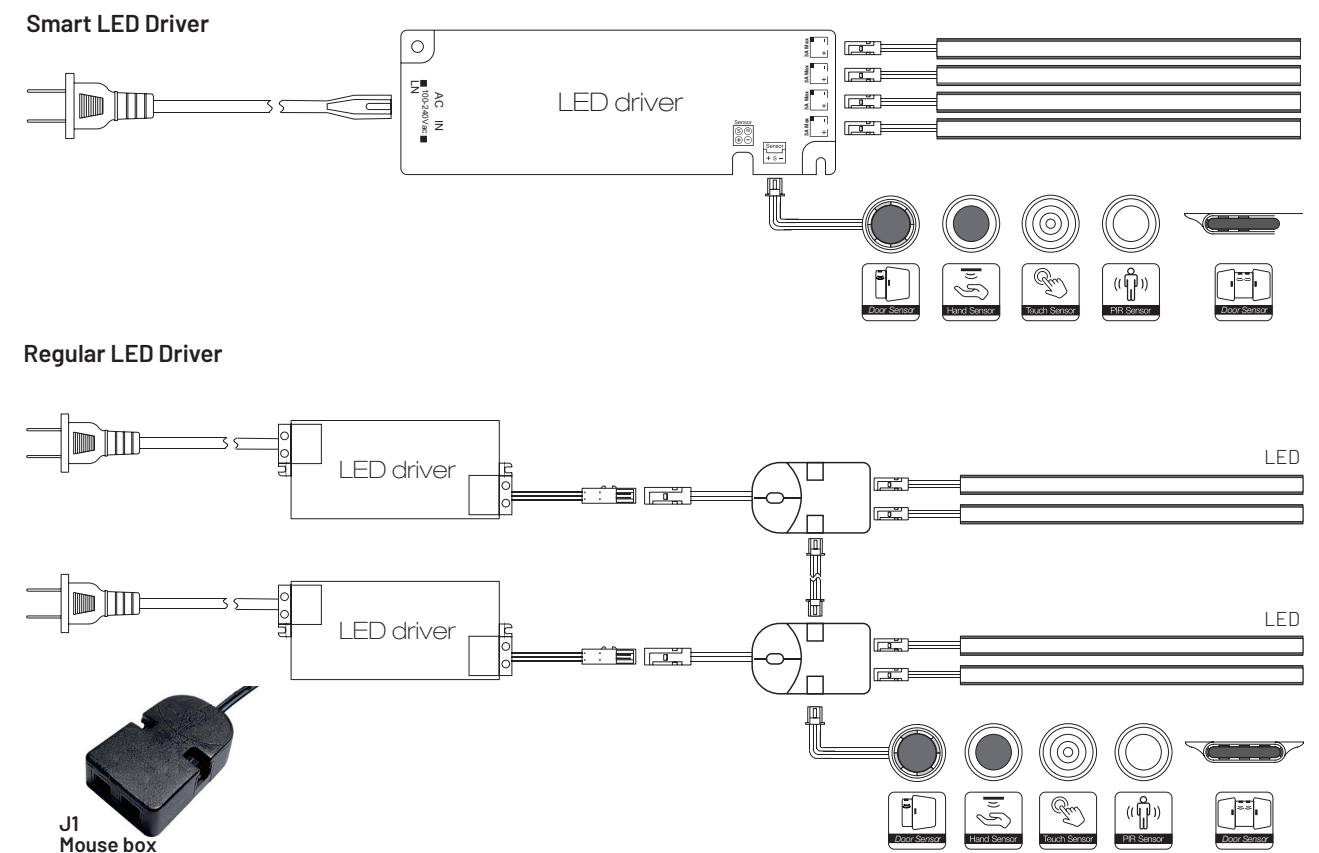


LED SENSOR SWITCH Serie

Central controlling led sensor switch series



MODEL	SIZE	INPUT VOLTAGE	FUNCTION	MATERIAL	INSTALLATION
S2A-JA0	∅13.8X18mm	DC12V-24V	Sensing distance 5-8cm	Plastic, Black / White	Recessed / Surfaced
S3B-JA0	∅13.8X18mm	DC12V-24V	Sensing distance 5-8cm	Plastic, Black / White	Recessed / Surfaced
S4B-JA0	∅13.8X18mm	DC12V-24V	ON/OFF/Dimmer	Plastic, Black / White	Recessed / Surfaced
S6A-JA0	∅13.8X18mm	DC12V-24V	Sensing time 30s	Plastic, Black / White	Recessed / Surfaced
S2A-JA1	58x24x10mm	DC12V-24V	Sensing distance 3-6cm	Plastic, Black / White	Recessed / Surfaced
J1	42x26x11mm	DC12V-24V 60W	/	Plastic, Black / White	Surfaced



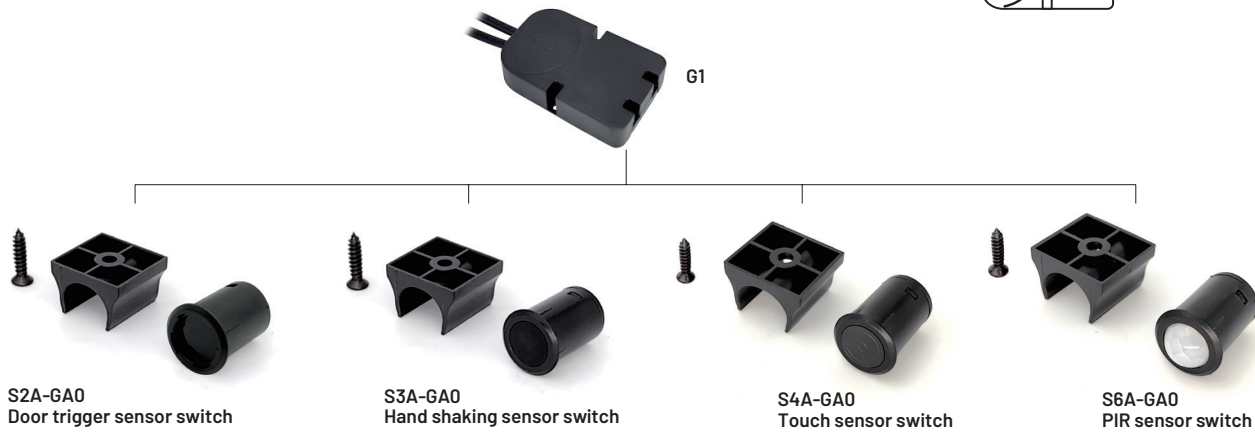
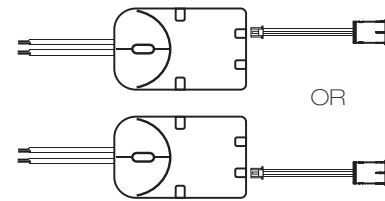
High Voltage IR Sensor Switch Series



MODEL	G1
INPUT VOLTAGE	AC 100-240V
MAX LOAD	≤300W
MATERIAL	Plastic, Black / White
SIZE	72x47x16mm
IP LEVEL	IP20

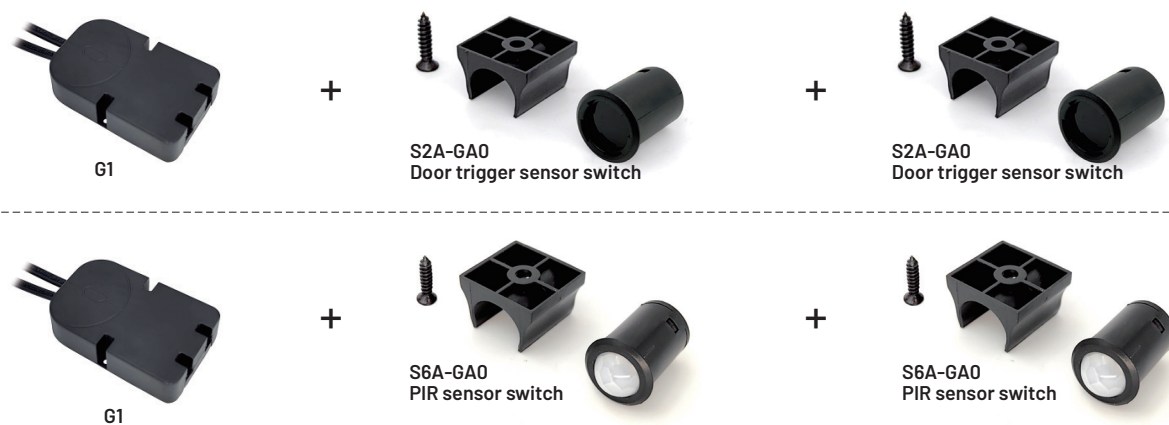
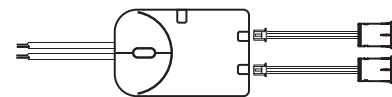
High voltage Sensor-Single head

1. Bottom Switch 1&2: 1 2 or 1 2
All Functions with Single head (Each hole available)
Door trigger & hand shaking & Touch sensor & PIR Sensor switch



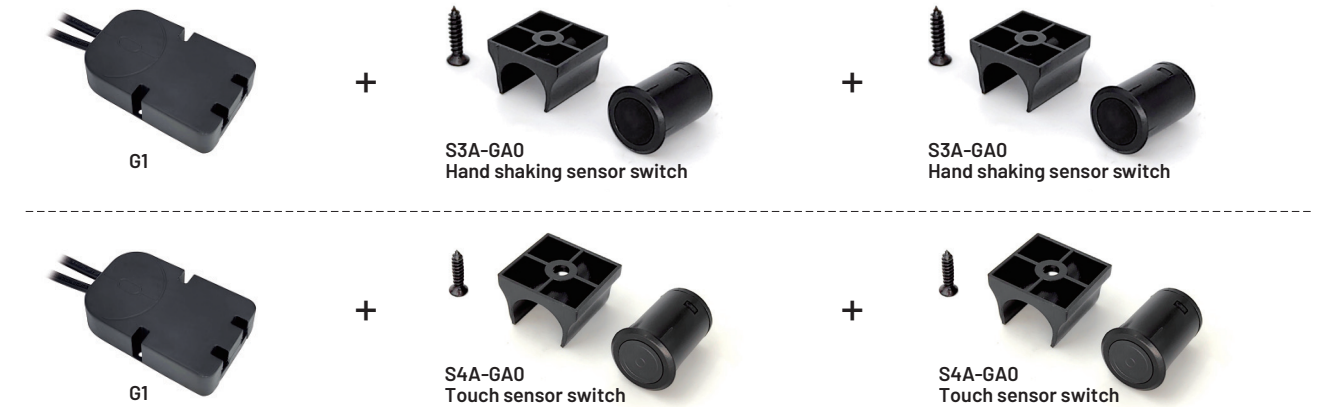
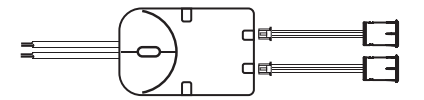
High voltage Sensor-Double head

2. Function of Bottom Switch 1: 1 2
Door trigger Sensor & PIR Sensor switch (Double head)



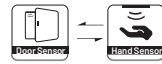
High voltage Sensor-Double head

3. Function of Bottom Switch 2: 1 2
Touch Sensor & Hand shaking (Double head)



Sensor Switch Series

IR SENSOR SWITCH SERIES (Door trigger & Hand shaking)



SXA-B4
Dual function IR Sensor (Single)



SXA-2B4
Dual function IR Sensor (Double)



SXA-A0P
Dual function IR Sensor

MODEL	SIZE	VOLTAGE	MAX WATTAGE	DETECTING RANGE	INSTALLATION	PROTECTING RATING
SXA-B4	Ø10x13.8mm	DC12V / DC24V	60W	5-8cm	Recessed / Surfaced	IP20
SXA-2B4	Ø10x13.8mm	DC12V / DC24V	60W	5-8cm	Recessed / Surfaced	IP20
SXA-A0P	50x33x8mm	DC12V / DC24V	60W	3-6cm	Surfaced	IP20

TOUCH SENSOR SWITCH SERIES



S4B-A0P1
Touch sensor switch (ON/OFF/Dimmer)



S4B-2A2
Touch sensor switch (ON/OFF/Dimmer)



S8B4-A1
Touch sensor switch (ON/OFF/Dimmer)

MODEL	SIZE	VOLTAGE	MAX WATTAGE	DETECTING WAY	INSTALLATION	PROTECTING RATING
S4B-A0P1	Ø20x13.2mm	DC12V / DC24V	60W	Touch type	Recessed	IP20
S4B-2A2	Ø12x15mm	DC12V / DC24V	60W	Touch type	Recessed	IP20
S8B4-A1	50x50X6mm	DC12V / DC24V	60W	Thickness≤25mm	3M Sticker	IP20



S2A-A3 / S3A-A3
Door trigger or hand shaking sensor



S2A-2A3 / S3A-2A3
Double door trigger or hand shaking sensor



S2A-2B3
Double door trigger

MODEL	SIZE	VOLTAGE	MAX WATTAGE	DETECTING RANGE	INSTALLATION	PROTECTING RATING
S2A-A3 / S3A-A3	30x24x9mm	DC12V / DC24V	60W	3-6cm	Surfaced	IP20
S2A-2A3 / S3A-2A3	30x24x9mm	DC12V / DC24V	60W	3-6cm	Surfaced	IP20
S2A-2B3	58x24x10mm	DC12V / DC24V	60W	3-6cm	Recessed / Surfaced	IP20

PIR SENSOR SWITCH SERIES



S6A-A0
PIR sensor switch



S6A-A1
PIR sensor switch



S6A-2A1
PIR sensor switch

MODEL	SIZE	VOLTAGE	MAX WATTAGE	DETECTING RANGE	INSTALLATION	PROTECTING RATING
S6A-A0	Ø16x38mm	DC12V / DC24V	60W	1-3m	Recessed / Surfaced	IP20
S6A-A1	Ø14x15mm	DC12V / DC24V	60W	1-3m	Recessed / Surfaced	IP20
S6A-2A1	Ø14x15mm	DC12V / DC24V	60W	1-3m	Recessed / Surfaced	IP20

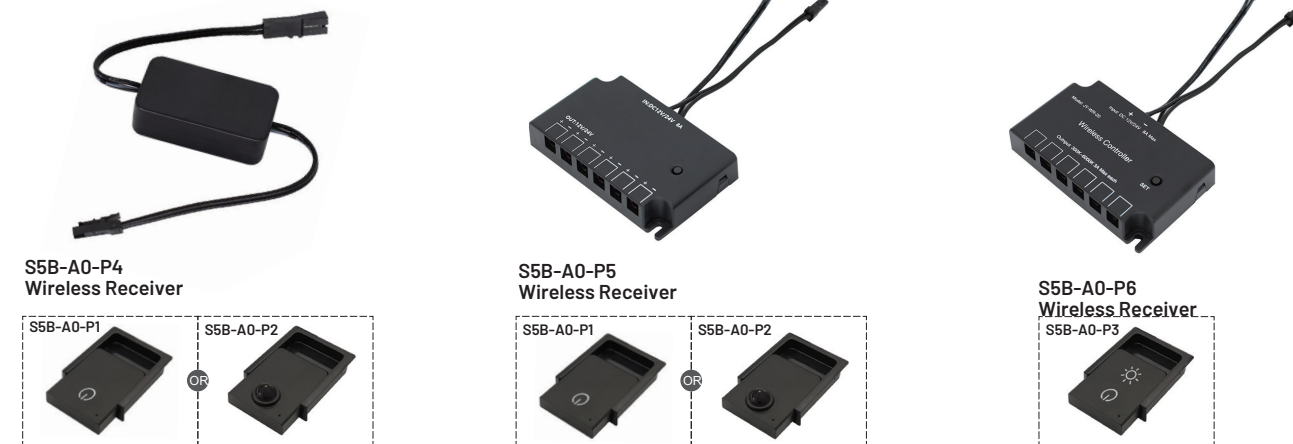
SMART WIRELESS REMOTE CONTROLLER SYSTEM

Sender



MODEL	SIZE	FREQUENCY	MODULATION MODE	WORKING VOLTAGE	STANDBY TIME	EMISSION CURRENT	LAUNCH DISTANCE
S5B-A0-P1	56x50x13mm	2.4GHz	GFSK	2.3~3.6V	1 Years	14mA	20m(Without barrier)
S5B-A0-P2	56x50x13mm	2.4GHz	GFSK	2.3~3.6V	1 Years	14mA	20m(Without barrier)
S5B-A0-P3	56x50x13mm	2.4GHz	GFSK	2.3~3.6V	1 Years	14mA	20m(Without barrier)

Receiver



MODEL	SIZE	FREQUENCY	MODULATION MODE	WORKING VOLTAGE	MAX LOAD WATTAGE
S5B-A0-P4	56x50x13mm	2.4GHz	GFSK	DC12/24V	60W
S5B-A0-P5	56x50x13mm	2.4GHz	GFSK	DC12/24V	100W
S5B-A0-P6	56x50x13mm	2.4GHz	GFSK	DC12/24V	100W

Advantages

- Low power consumption, sensitive induction, low heat generation, stable and reliable.

Applications

- Used for local decorative lighting control in wardrobes, wine cabinets, kitchens, etc.

WIRELESS CABINET LED SENSOR SYSTEM



LZ5B-A0-P1

Wireless touch dimmer set

1. Power Supply: 220mA (Rechargeable Lithium battery with Micro USB)
2. Working Voltage: 2.2~5.5V
3. Standby Current: 6uA
4. Sensing Distance: 15m
5. Function: Wireless ON/OFF/Dimmer
6. Recessed&Surfaced mounting both
7. Hole size: \varnothing 12mm

LZ5B-A0-P2

Wireless Door sensor & Hand shaking sensor set

1. Power Supply: 220mA (Rechargeable Lithium battery with Micro USB)
2. Working Voltage: 2.2~5.5V
3. Standby Current: 6uA
4. Sensing Distance: 15m
5. Function: Wireless Door trigger/ Hand shaking function change
6. Recessed&Surfaced mounting both
7. Hole size: \varnothing 12mm

Function of K key button

LZ5B-A0-P1

Short press the K key to switch the function in the touch mode, and it will be indicated by the number of D4 flashes

Mode 1: Touch on and off, D4 flashes one time.

Mode 2: Short touch to turn on and off, long touch to dim, D4 flashes twice.

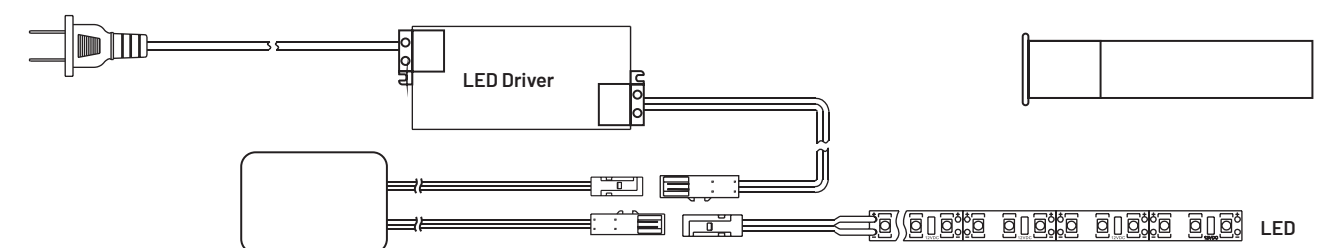
LZ5B-A0-P2

Short press the K key to switch between three modes (Hand shaking/Door trigger), and it will be indicated by the number of D4 flashes

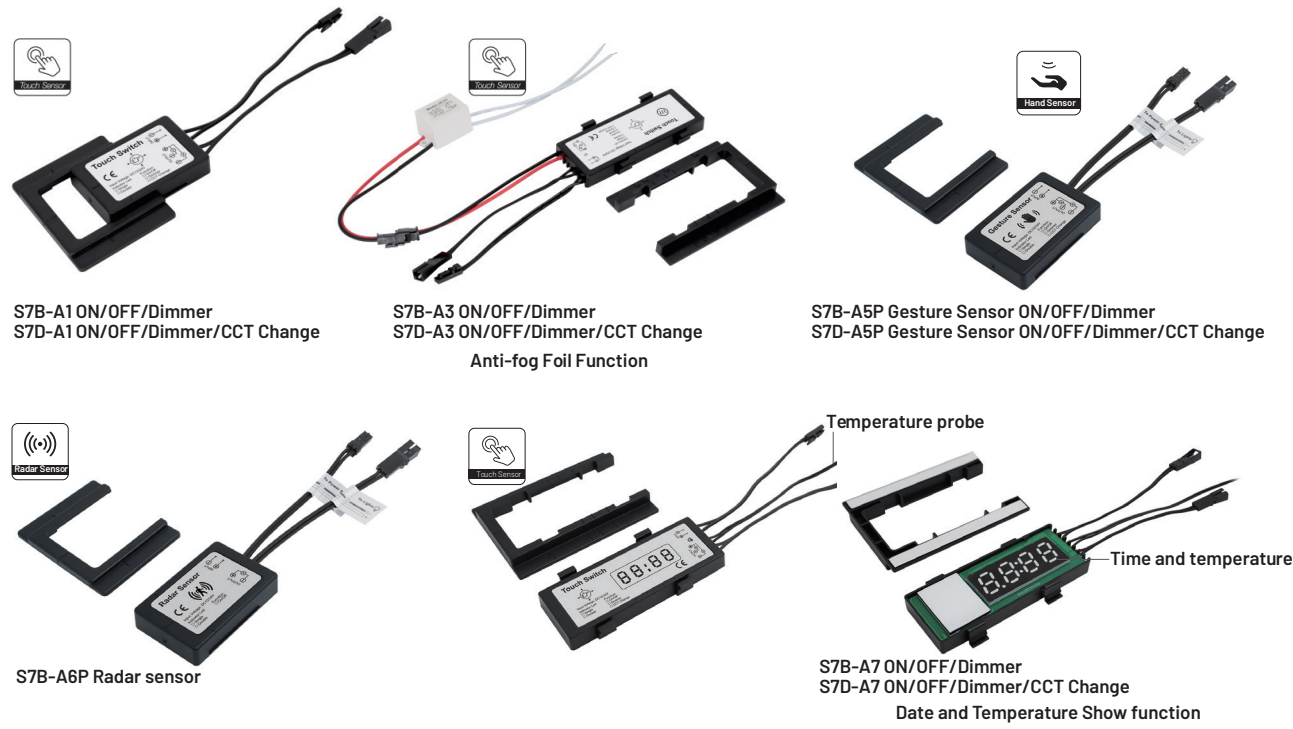
Mode 1: On and off of the hand shaking function, D4 flashes one time.

Mode 2: on and off and dimming of hand shaking function, D4 flashes twice.

Mode 3: Door trigger, D4 flashes three times.



MIRROR SENSOR SWITCH SERIES



MODEL	SIZE	VOLTAGE	MAX WATTAGE	DETECTING WAY	INSTALLATION	PROTECTING RATING
S7B-A1 / S7D-A1	50x33X10mm	DC12V / DC24V	60W	Touch type	3M Sticker	IP20
S7B-A3 / S7D-A3	93x35X10mm	DC12V / DC24V	60W	Touch type	3M Sticker	IP20
S7B-A5P / S7D-A5P	37x51X12mm	DC12V / DC24V	60W	5-8cm	3M Sticker	IP20
S7B-A6P	37x51X12mm	DC12V / DC24V	60W	1-3m	3M Sticker	IP20
S7B-A7 / S7D-A7	93x35X10mm	DC12V / DC24V	60W	Touch type	3M Sticker	IP20



88:88

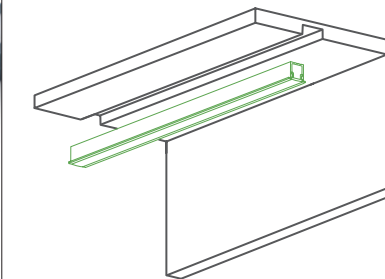
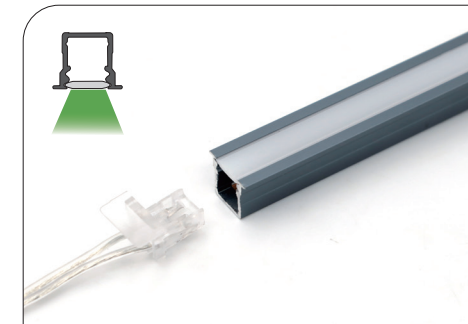
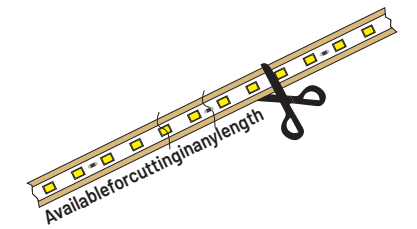


LED WELDING-FREE STRIP LIGHT

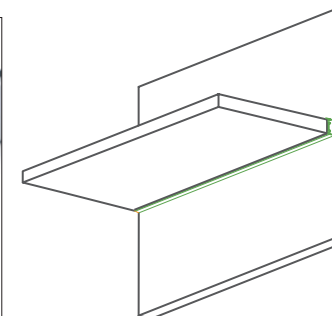
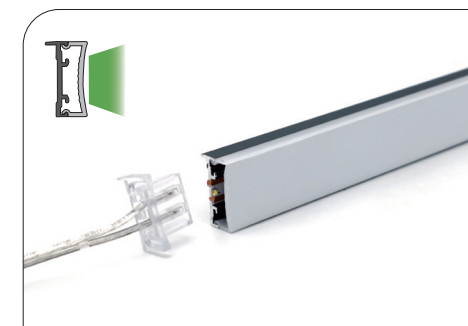
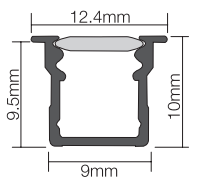


FEATURES

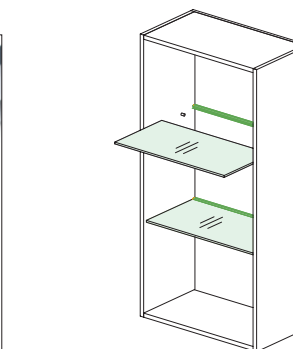
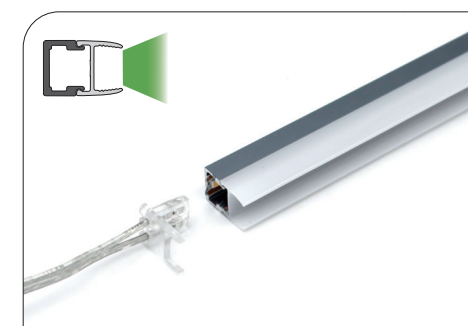
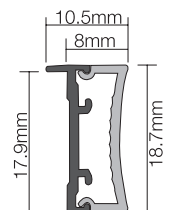
1. Separate cables from light body, easy after service.
2. Available for cutting in any length. Reconnect without soldering.
3. Soft and even lighting effect.



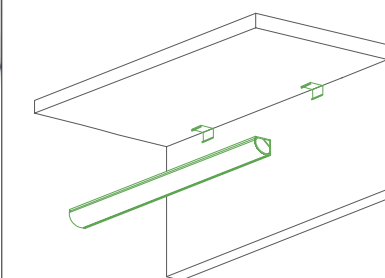
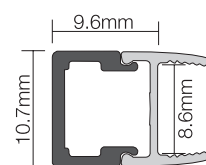
MH01A Recessed LED strip light



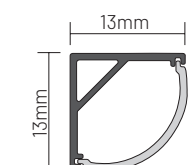
MH02A Woodens helflight

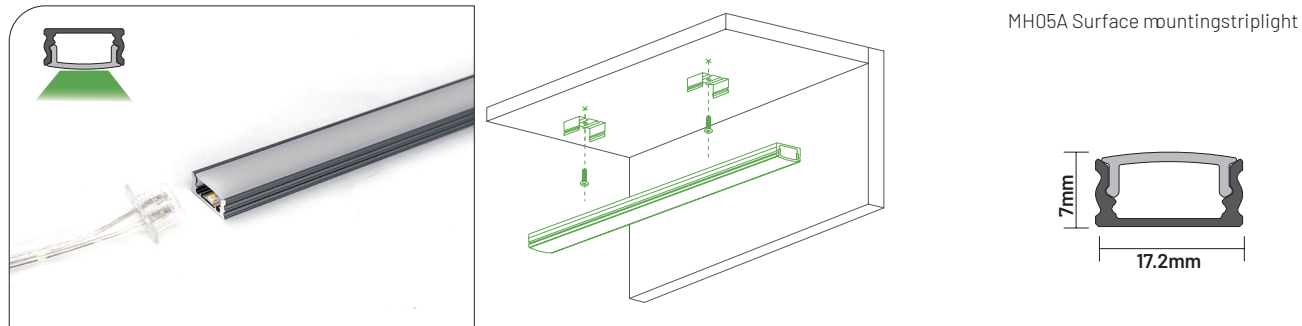


MH03ALEd glass shelflight

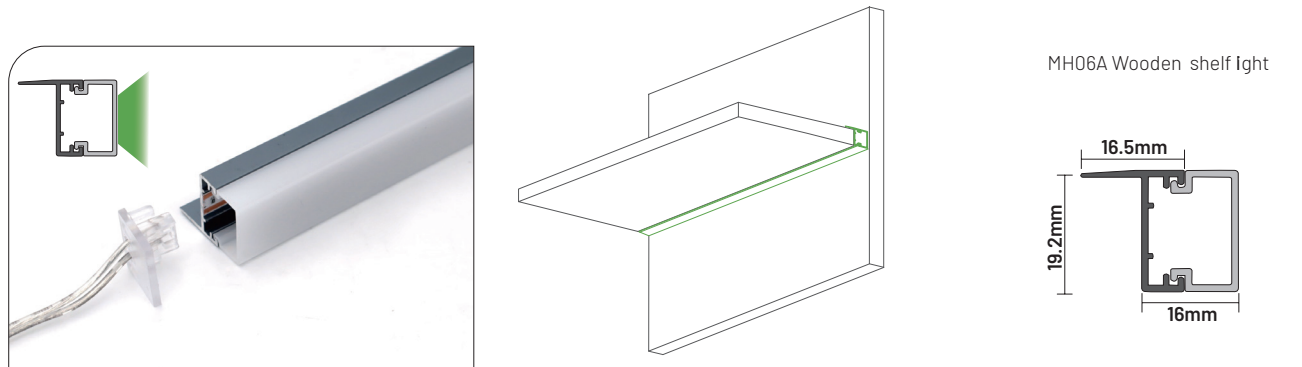


MH04A LED corner strip light

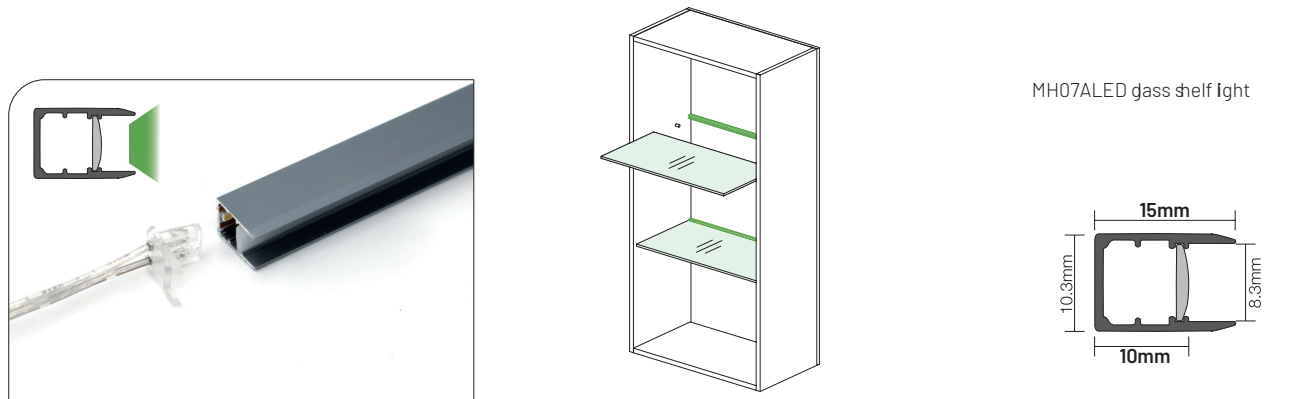




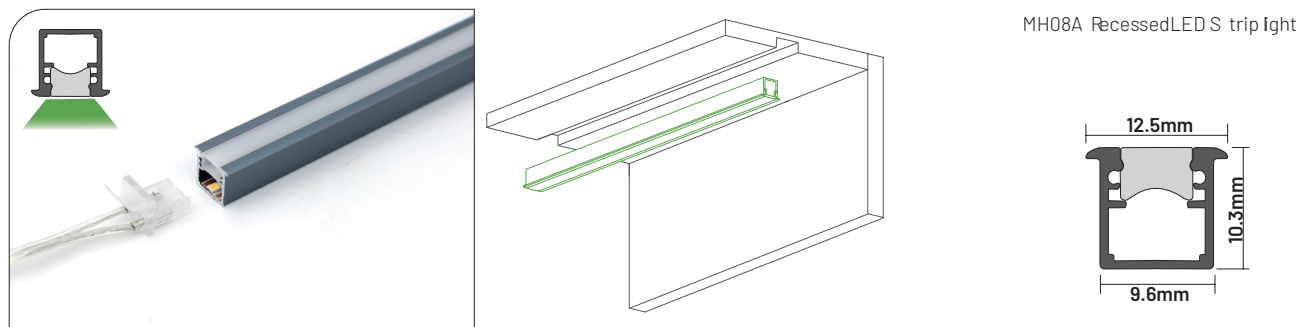
MH05A Surface mountingstriplight



MH06A Wooden shelf light



MH07A LED glass shelf light



MH08A Recessed LED S trip light

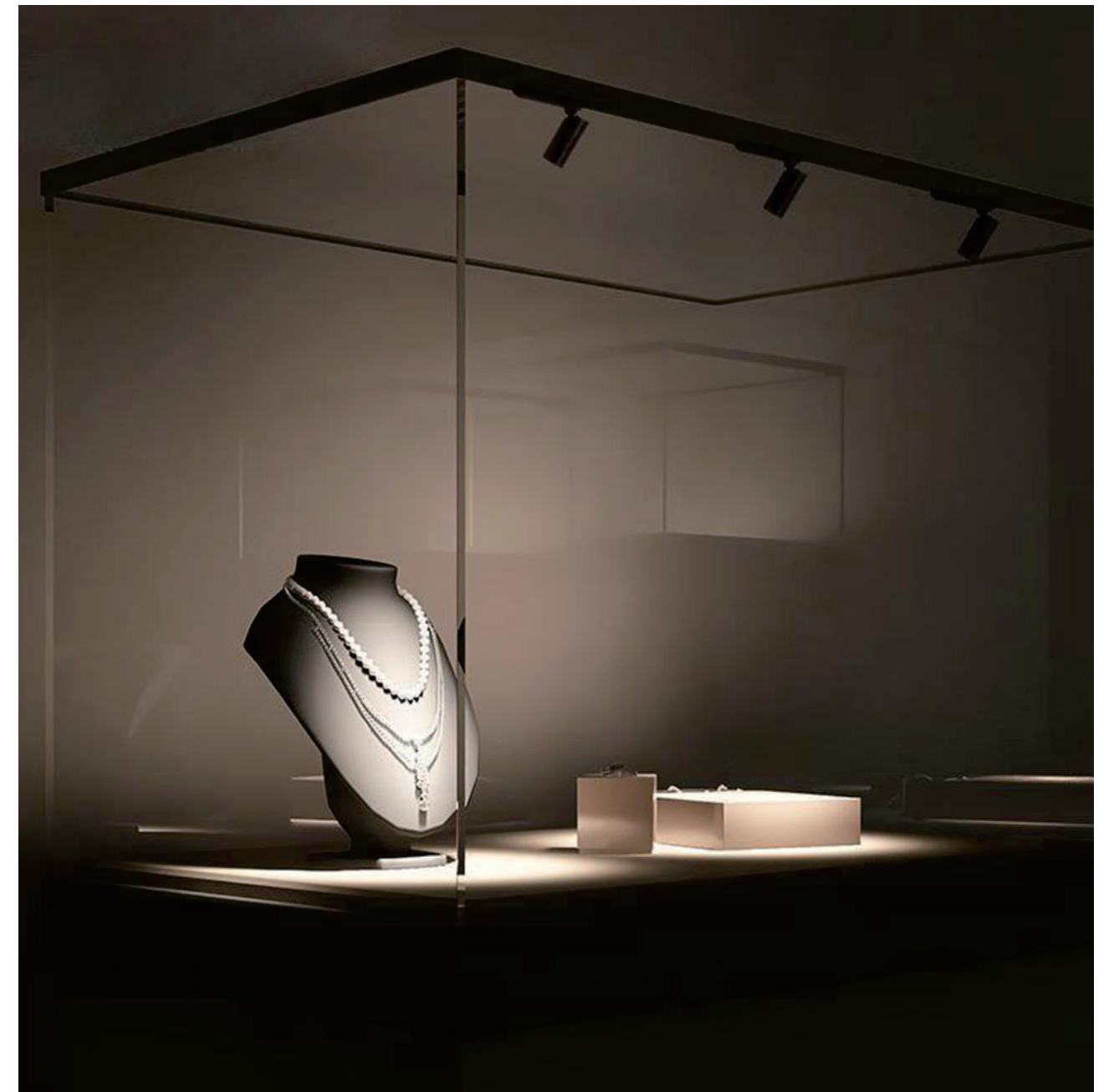
MODEL	INPUT VOLTAGE	WATTAGE	LED TYPE	LED QUANTITY	CRI
Mh01A					
MH02A					
MH03A					
MH04A	12VDC	10W/m	SMD2216	150pcs/m	>90
MH06A					
MH07A					
MH08A					
MH05A	12VDC	10W/m	SMD2216	258pcs/m	>90



JEWELRY LIGHT



MODEL	SIZE	WATTAGE	LED TYPE	LED QUANTITY	CRI
JL1	Ø6X110mm	2W	2835	15pcs	>90
JL2-S	Ø20X40mm	2W	3535	1pc	>90
JL2-D	Ø20X40mm	4W	3535	2pcs	>90
JL3	59X17X11mm	3W	3535	3pcs	>90
JL4	60X18X6.5mm	3W	1304COB	1pc	>90
JL5	Ø15X44mm	1W	2525	1pc	>90
JL6	Ø18X36mm	2W	3535	1pc	>90
JL7	Ø16X75mm	3W	3535	3pcs	>90



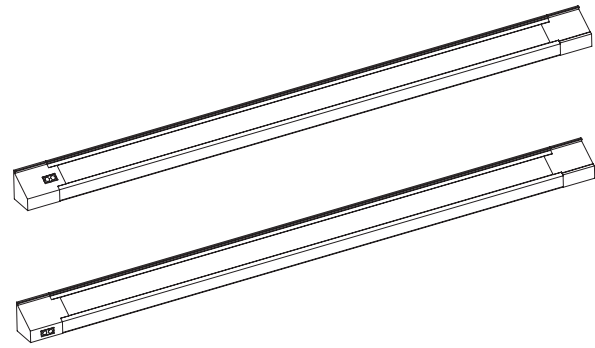
MODEL	SIZE	INPUT	WATTAGE	ANGLE	CRI
JD1	LX15X7mm	12/24V	/	/	/
JD1-L1-S	Ø15X28mm	12/24V	1W	25°	>90
JD1-L1-D	Ø15X28mm	12/24V	2W	25°	>90
JD1-L2	Ø18X36mm	12/24V	2W	25°	>90
JD1-L3	Ø25X44mm	12/24V	3W	30°	>90
JD1-L4	Ø22X31.3mm	12/24V	2W	8-60°	>90
JD1-L5	300X10.5X10.5mm	12V	3W	60°	>90
JD1-L6	300X10.5X10.5mm	12V	3W	120°	>90



LIGHTING SOLUTION IN CABINET

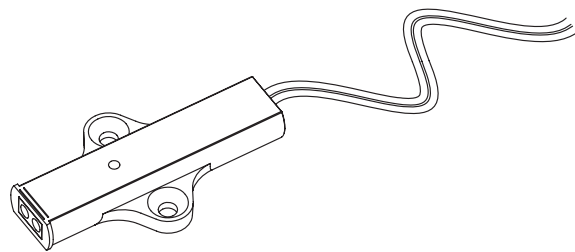
CABINET LIGHT

- Under cabinet light
- Wardrobe light
- Drawer light
- Shelf light
- Battery cabinet light
- Puck light
- Jewelry light
- Silicone rubber strip light
- Flexible strip light
- ...



SENSOR SWITCH

- IR Sensor Switch
- Touch Sensor
- PIR Sensor
- Wireless Sensor
- Mirror Sensor
- Hidden Sensor
- High voltage Sensor
- ...



LED DRIVER

- Smart LED Driver
- Line In LED Driver
- High Watt LED Driver
- ...

