

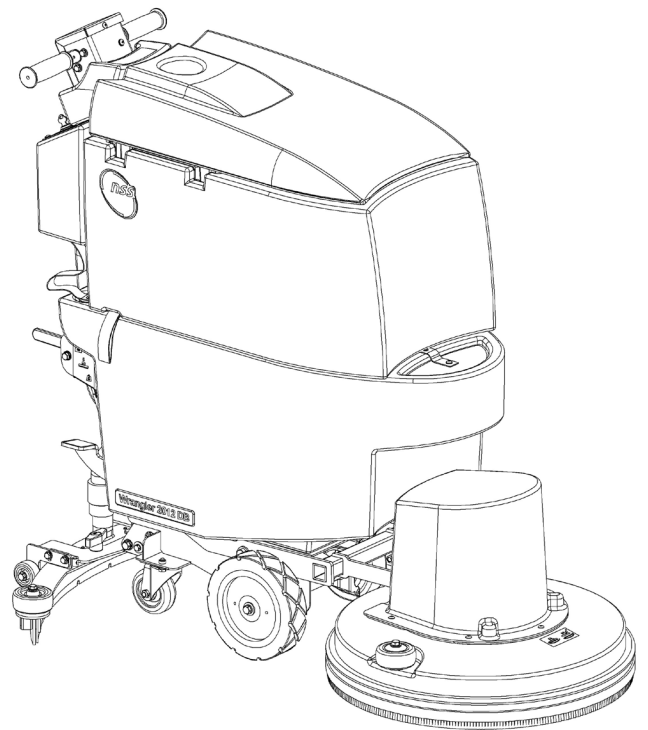
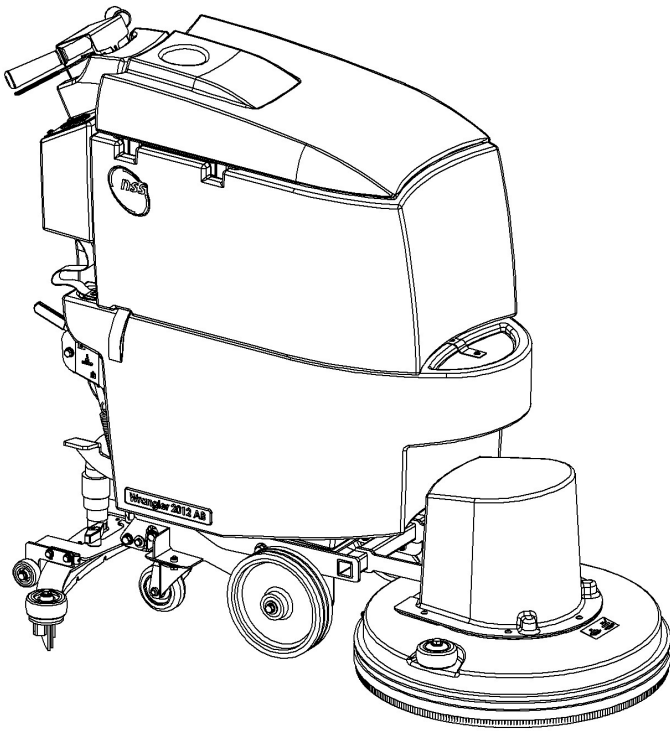


NSS Enterprises, Inc.

# Wrangler 2012 AB Wrangler 2012 DB

Automatic Floor Scrubber/Dryer  
Récurveuse/sécheuse de planchers automatique  
Fregador y secador de pisos automático

## OPERATOR MANUAL MANUEL DE L'OPÉRATEUR MANUAL DE OPERADOR



## Contents

<b>Markings</b>	<b>1</b>
<b>Figure 1</b>	<b>2</b>
<b>Figure 2</b>	<b>3</b>
<b>Figure 3</b>	<b>3</b>
<b>Figure 4</b>	<b>3</b>
<b>Common Machine Components List</b>	<b>3</b>
<b>Figure 5</b>	<b>4</b>
<b>Figure 6</b>	<b>4</b>
<b>Machine Control Components List</b>	<b>5</b>
<b>IMPORTANT SAFETY INSTRUCTIONS</b>	<b>6</b>
<b>Battery Safety Information</b>	<b>6</b>
<b>Battery Charging Safety</b>	<b>7</b>
<b>GROUNDING OF ELECTRICAL EQUIPMENT - BATTERY CHARGER</b>	<b>7</b>
<b>Unpacking Instructions</b>	<b>7</b>
<b>Machine Inspection</b>	<b>8</b>
<b>Before First Use</b>	<b>8</b>
<b>MACHINE COMPONENTS</b>	<b>8</b>
<b>Operator Control Panel</b>	<b>9</b>
<b>Common Machine Components</b>	<b>8</b>
<b>Battery Charger</b>	<b>10</b>
<b>Operating Instructions</b>	<b>11</b>
<b>User Maintenance</b>	<b>12</b>
<b>Mandatory Periodic Maintenance</b>	<b>13</b>
<b>Troubleshooting</b>	<b>13</b>
<b>Performance Specifications</b>	<b>14</b>
<b>Technical Specifications</b>	<b>15</b>
<b>Batteries</b>	<b>16</b>
<b>Battery Charger</b>	<b>16</b>
<b>Storage</b>	<b>16</b>
<b>Scrapping</b>	<b>16</b>
<b>FRANÇAIS</b>	<b>18</b>
<b>ESPAÑOL</b>	<b>32</b>

# Markings

## Marking #1

This product may contain a chemical known to the state of California to cause cancer, or birth defects or other reproductive harm.

⚠️ <b>WARNING:</b>	⚠️ <b>ADVERTENCIA</b>	⚠️ <b>AVERTISSEMENT</b>
THIS PRODUCT CAN EXPOSE YOU TO CHEMICALS INCLUDING [LEAD AND LEAD COMPOUNDS], WHICH IS KNOWN TO THE STATE OF CALIFORNIA TO CAUSE CANCER, BIRTH DEFECTS OR OTHER REPRODUCTIVE HARM. FOR MORE INFORMATION GO TO <a href="http://www.P65Warnings.ca.gov">www.P65Warnings.ca.gov</a> .	ESTE PRODUCTO PUEDE EXPONERTE A PRODUCTOS QUÍMICOS, INCLUYENDO [PLOMBO Y COMPUESTOS DE PLOMO], QUE SE CONOCE AL ESTADO DE CALIFORNIA A CAUSAR CÁNCER, DEFECTOS DE NACIMIENTO O OTROS DAÑOS REPRODUCTIVOS. PARA MÁS INFORMACIÓN IR A <a href="http://www.P65Warnings.ca.gov">www.P65Warnings.ca.gov</a> .	CE PRODUIT PEUT VOUS EXPOSER AUX PRODUITS CHIMIQUES INCLUANT [PLOMB ET PLOMBES], QUI EST CONNU DE L'ÉTAT DE LA CALIFORNIE POUR CAUSER CANCER, DÉFAUTS DE NAISSANCE OU AUTRE DANGER REPRODUCTEUR. POUR PLUS D'INFORMATIONS ALLER A <a href="http://www.P65Warnings.ca.gov">www.P65Warnings.ca.gov</a> .

## Marking #2

Battery Safety Information Label. See Battery Safety Information in this manual.

**⚠️ WARNING** **READ AND UNDERSTAND ALL INSTRUCTIONS BEFORE OPERATING OR SERVICING MACHINES**

**WARNING!** Use of batteries other than the size and type originally specified by ISS may require changing the charging algorithm on the battery charger. Failure to use the correct charge algorithm will result in reduced runtime and battery life, may cause a hazardous condition during charging, and will void battery and charger warranties.

**ATTENTION!** L'utilisation de batteries autres que la taille et le type initialement fournis par ISS peut nécessiter une modification de l'algorithme de charge sur le chargeur de batterie. Le site adéquat l'algorithme de charge correcte entraînera l'efficacité réduite et vie de la batterie, peut entraîner une situation dangereuse pendant la charge, et annulera batterie et chargeur garanties.

- ALWAYS charge in a well ventilated area away from open flame.
- ALWAYS check to ensure the battery water level covers the battery plates before charging.
- ALWAYS check water level after charging and add distilled water if necessary to bring level to the bottom of the fill hole.
- NEVER overfill batteries as battery and machine damage may result.
- ALWAYS wipe any acid from the top of the batteries using a soap solution.
- ALWAYS position and connect batteries as shown to avoid shorting of the batteries and the electrical system.
- TOUJOURS charger dans un endroit bien aéré, loin des flammes nues.
- TOUJOURS vérifier pour assurer le niveau d'eau de la batterie couvre la batterie plaques avant de charger.
- TOUJOURS vérifier le niveau d'eau après la charge et ajoutez distillé d'eau si nécessaire pour amener le niveau au fond du trou de remplissage.
- NE JAMAIS trop remplir les cellules de la batterie que la batterie et les dommages de la machine peut entraîner.
- Essuyer TOUJOURS l'acide à partir du haut des batteries à l'aide d'une solution savonneuse.
- Toujours positionner et connecter les batteries comme indiqué pour éviter un court-circuit de les batteries et le système électrique.

**NOTICE:** Terminal configurations vary by battery manufacturer and model. Batteries must be wired in series, with jumpers connecting positive to negative, per the battery wiring diagram. However, some batteries may require alternate arrangement to accommodate proper wiring.

**AVIS:** Configurations Terminal varient selon le fabricant de la batterie et le modèle. Les batteries doivent être câblés en série, avec des sautoires de raccordement positif au négatif, selon le schéma de câblage de la batterie. Cependant, certaines batteries peuvent nécessiter autre agencement pour accueillir le câblage approprié.

## Marking #3

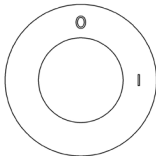
Warning - To avoid fire do not use any flammable or combustible liquids to clean floors. Do not use in any explosive atmosphere.

**⚠️ WARNING! TO AVOID FIRE DO NOT USE ANY FLAMMABLE OR COMBUSTIBLE LIQUIDS TO CLEAN FLOORS. DO NOT USE IN ANY EXPLOSIVE ATMOSPHERE.**

**⚠️ ATTENTION! POUR ÉVITER UN INCENDIE NE PAS UTILISER LIQUIDES INFLAMMABLES OU COMBUSTIBLES POUR NETTOYER SOLS. NE PAS UTILISER DANS TOUTE EXPLOSIVE ATMOSPHÈRE.**

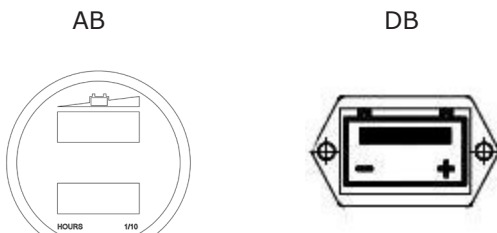
## Marking #4

Key switch. Enables machine operation, on-off.



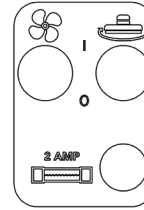
## Marking #5

Indicates battery charge level.



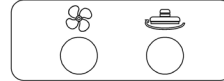
## Marking #6

Brush and Vacuum Switch, Fuse.



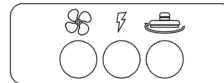
## Marking #7

Wrangler 2012 AB Circuit Breakers.



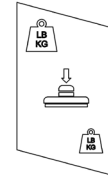
## Marking #8

Wrangler 2012 DB Circuit Breakers.



## Marking #9

Head Pressure.



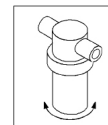
## Marking #10

Clean water valve, located lower left side of machine.



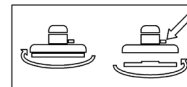
## Marking #11

Clean water strainer, located under lower left side of machine in front of the clean water valve.



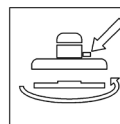
## Marking #12

Pad Driver installation direction on and off.



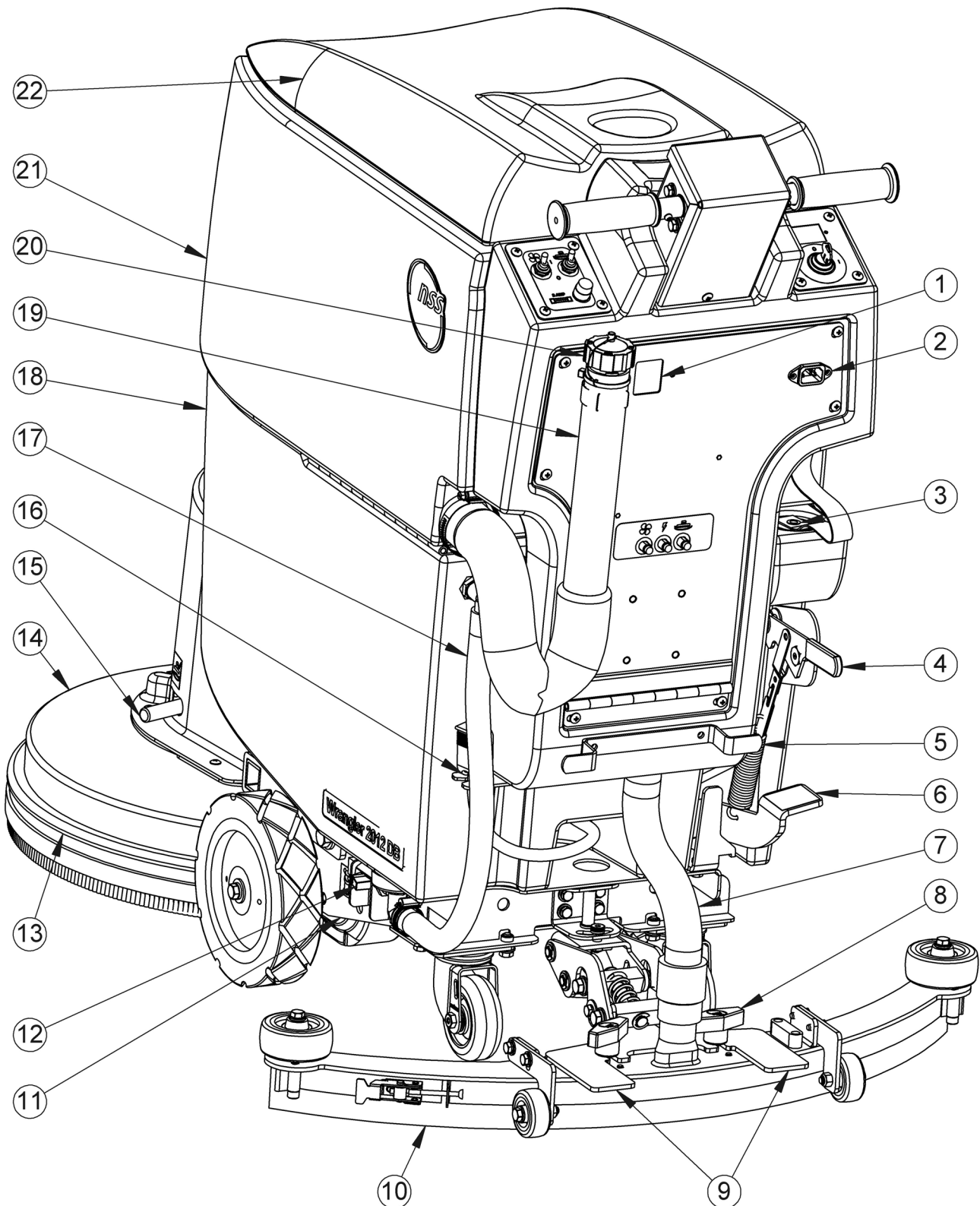
## Marking #13

Pad Driver release lever.

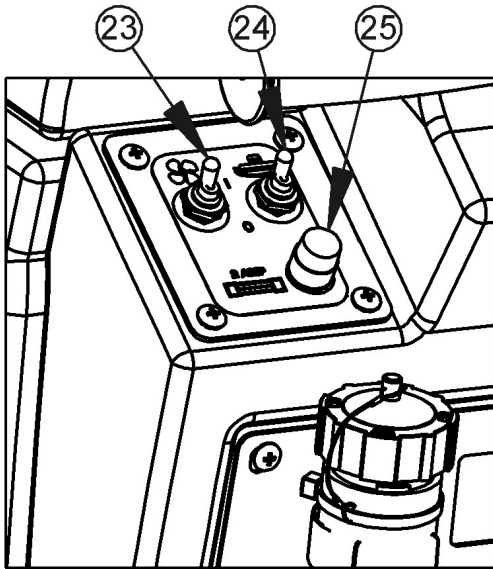


# Wrangler 2012 AB & DB Common Machine Components

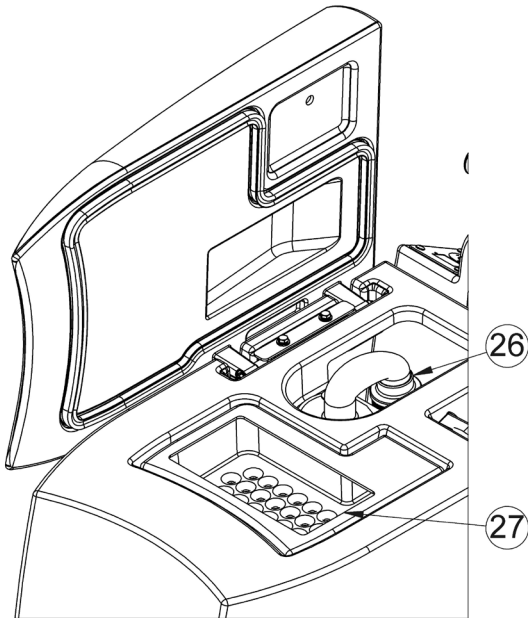
## Figure 1



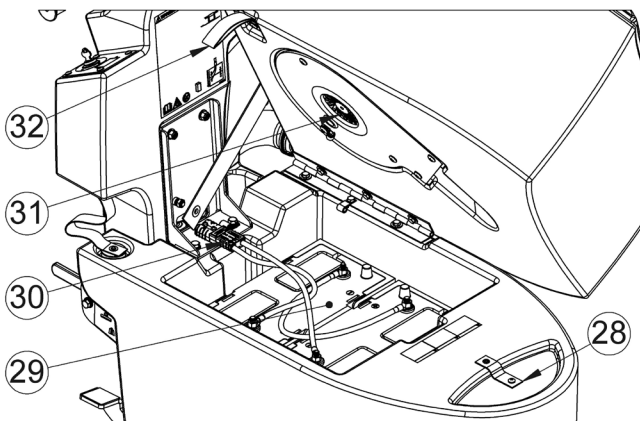
**Figure 2**



**Figure 3**



**Figure 4**



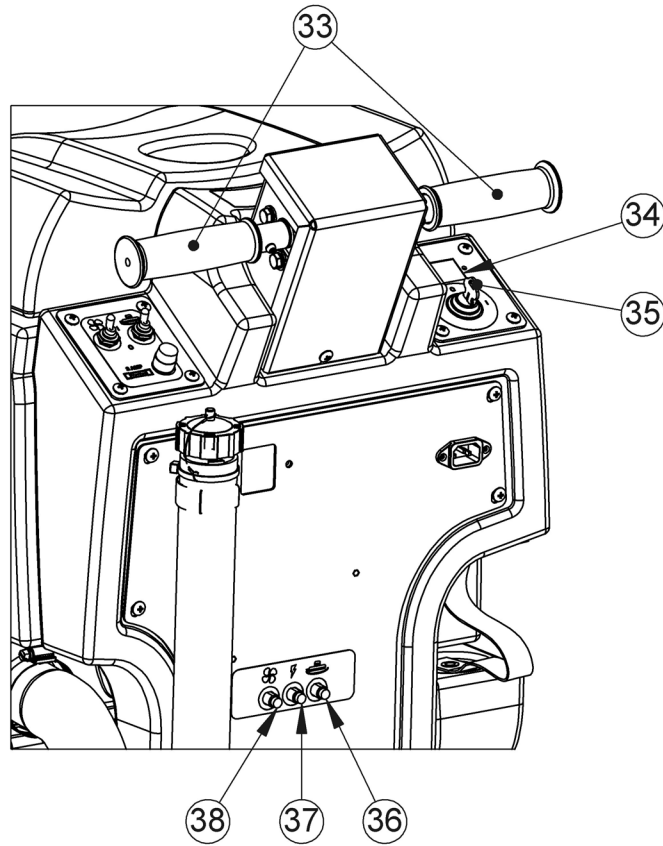
## Wrangler 2012 AB & DB

### Common Machine Components

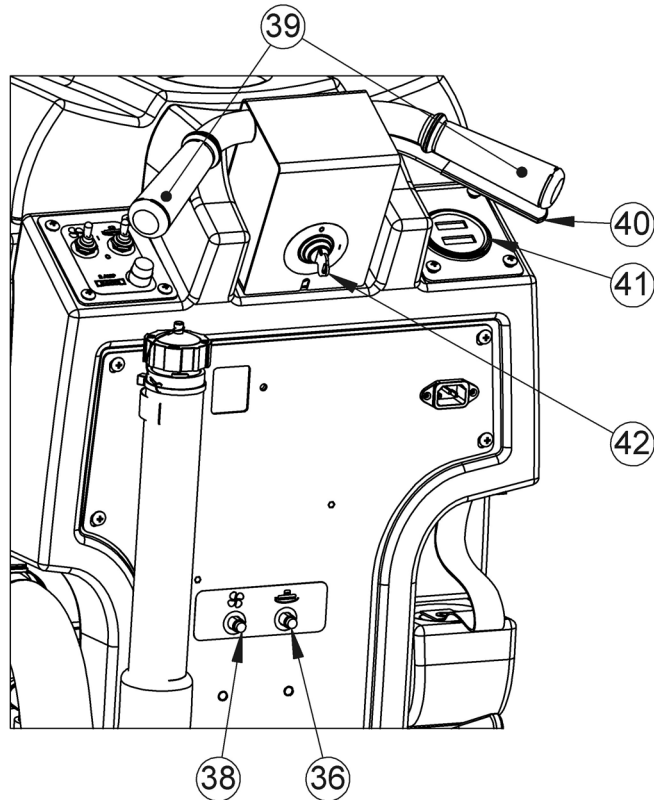
See Figures 1, 2, 3 and 4.

1. Battery charger window. Allows operator to view battery charger operation.
2. Battery charger receptical.
3. Solution fill port from rear of machine.
4. Brush/pad motor pressure lever.
5. Battery charger cord wrap
6. Brush pedal for raising and lowering the brush/pad motor.
7. Vacuum hose.
8. Squeegee knob.
9. Pedal for raising and lowering squeegee. Squeegee Bracket.
10. Squeegee.
11. Solution Filter.
12. Solution Valve.
13. Skirt Brush.
14. Skirt.
15. Brush motor locking lever to remove brush/pad.
16. Battery compartment drain hose.
17. Solution tank site gage and drain hose.
18. Solution tank.
19. Recovery tank drain hose.
20. Recovery tank drain hose cap.
21. Recovery tank.
22. Recovery tank lid.
23. Vacuum motor switch.
24. Brush/Pad motor switch.
25. Battery charger fuse.
26. Recovery tank float shutoff.
27. Debris trap.
28. Solution tank front fill opening and cover.
29. Battery compartment and batteries.
30. Battery connector.
31. Vacuum Motor.
32. Recovery tank lift handle/strap.

**Wrangler 2012 DB Machine Control Components  
Figure 5**



**Wrangler 2012 AB Machine Control Components  
Figure 6**



## Machine Control Components

### Wrangler 2012 DB (See Figure 5)

33. Twist grip handles. Controls the direction and speed of the machine.
34. Battery Meter. Indicates the condition/charge of the batteries.
35. Key switch. Enables machine operation.
36. Brush Circuit Breaker.
37. Controller and Driver Motor Circuit Breaker.
38. Vacuum Motor Circuit Breaker.

### Wrangler 2012 AB (See Figure 6)

36. Brush Circuit Breaker.
38. Vacuum Motor Circuit Breaker.
39. Control Handles.
40. Brush/Pad switch lever. Turns the brush/Pad motor and solution valve on-off.
41. Battery/Hour meter. Indicates the condition/charge of batteries and time brush/pad motor is on.
42. Key switch. Enables machine operation.

## ORIGINAL INSTRUCTIONS (EN) IMPORTANT SAFETY INSTRUCTIONS



**WARNING** Read these original instructions prior to initial use of the appliance/machine.

### Safety Instructions

This appliance has been approved for use on surfaces with gradients up to 9%.

### Safety Equipment

This appliance is equipped with devices to protect the user, and must not be rendered inoperable or bypassed.

### Symbols used in these instructions



**DANGER** – Immediate danger that can cause severe injury or even death.



**WARNING** – Possible hazard that could lead to severe injury or event death.



**CAUTION** – Possible hazard that could lead to mild injury or damage to property.



Electrical shock hazard.



Read the Operator Manual.



No smoking, open flames, or sparks near the batteries.



Batteries - acid and hydrogen gas.



Poison. Causes severe burns. Avoid contact.



Recycle packaging.



Dispose of equipment through suitable collection systems.

### Intended Use

The Wrangler 2012 AB and Wrangler 2012 DB are intended for commercial use, for wet cleaning of level floors in an indoor environment, for example in hotels, schools, hospitals, factories, shops, offices and rental businesses.

## Important Safety Instructions

ALL REPAIR SERVICE MUST BE PERFORMED BY AN NSS AUTHORIZED DISTRIBUTOR OR SERVICE STATION USING ONLY NSS ORIGINAL EQUIPMENT PARTS.



### Use this appliance only as directed in these operating instructions.

- This machine is not intended for use by persons (including children) with reduced physical, sensory or mental capabilities, or lack of experience and knowledge.
- Children should be supervised to ensure that they do not play with the appliance.
- WARNING Operators shall be adequately instructed on the use of this machine.
- This machine is only to be used for the cleaning of hard surfaces that are not sensitive to moisture or polishing operations.
- CAUTION This machine is for inside use only.
- CAUTION This machine shall be stored indoors in a dry, cool area.
- CAUTION Turn off key switch before changing pads/brushes.
- Operating temperature range: 40°- 113°F (5° - 45°C)
- This machine is not suitable for cleaning frozen surfaces (cold storage).
- Do not operate this machine in water exceeding 3/8 in (1 cm) depth.
- Use only OEM accessories and spare parts.
- Never use water over 140°F (60°C).
- Do not use this machine on surfaces that are sensitive to pressure.
- Do not use this machine in potentially explosive environments.
- Do not suck up flammable gases or liquids, undiluted acids or solvents. This includes gasoline, thinning agents or hot oil that can form an explosive mixture when mixed with air. Do not use acetone, undiluted acids or solvents.
- Orange oil (D-limonene) is not compatible with the plastics used in this machine. Use of D-limonene may result in damage to the machine.
- NEVER attempt to operate this machine if it is not working properly or has been damaged in any way.
- NEVER disconnect or modify any switches or safety devices (circuit breakers, fuses).
- NEVER drop or insert any object into any machine opening.
- NEVER operate this machine with any air opening blocked. Keep all air openings free of dust, lint, hair, etc.
- NEVER pick up anything that is burning or smoking, such as cigarettes, matches or hot ashes.
- ALWAYS keep face, fingers, hair or any other body part or loose clothing away from any machine opening or moving part (revolving brush, pad driver, or vacuum

motor).

- ALWAYS turn the machine off when attaching pads or brushes.
- ALWAYS remove keys when this machine is left unattended.
- ALWAYS be sure that the ramp is secured to the vehicle before attempting to load/unload.
- ALWAYS use extreme caution when operating the machine on a ramp or loading/unloading this machine into or out of a truck/trailer. Use extreme caution if the ramp is wet, oily, or covered with cleaning chemicals.
- NEVER stop or turn the machine on a ramp or incline.
- NEVER attempt to climb a grade or operate this machine on a ramp or incline that exceeds its rating.
- NEVER park or store the machine near a dock, on ramps, near a furnace, boiler, open flame, or other high heat source.
- NEVER allow this machine to freeze.
- NEVER expose the machine to rain, snow, or extreme temperatures.
- NEVER store any items on this machine.

## Battery Safety Information



- WARNING – Failure to observe these warnings can cause personal injury to machine operator or bystanders.
- WARNING – Batteries emit hydrogen, which can cause fire or explosion.
- Never smoke, light a match, or cause a spark during operation or charging.
- Always charge in a dry, well-ventilated area away from open flame.
- ALWAYS read and understand all instructions before charging batteries.
- NEVER attempt to charge batteries unless you have been trained to do so.
- NEVER allow an untrained person to install or charge batteries.
- ALWAYS wear eye protection and protective clothing to avoid contact with battery acid.
- NEVER lay anything on top of batteries as arcing may occur.
- IF CONTACT WITH BATTERY ACID OCCURS, follow these instructions:
  - SKIN – rinse area thoroughly with water.
  - EYES – Flush with water for 15 minutes.
  - INTERNAL – Drink water or milk. Follow with Milk of Magnesia, beaten egg or vegetable oil. Call a physician/seek medical attention immediately.



## Battery Charging Safety



**WARNING:** Unplug battery charger from wall outlet before disconnecting batteries from machine to prevent arcing or machine damage. ALWAYS charge the batteries with the Recovery Tank open.

- ALWAYS read instructions carefully.
- ALWAYS use the NSS supplied charger with proper voltage rating.
- ALWAYS plug the charger into an earthed socket outlet.
- NEVER operate charger if the AC supply cord is damaged, or if the charger has been damaged in any way.
- NEVER charge a frozen battery.
- For flooded lead acid batteries (does not apply to sealed maintenance free batteries):
  - ALWAYS check to ensure the battery water level covers the battery plates before charging.
  - ALWAYS check water level after charging and add distilled water if necessary to bring level to the bottom of the fill hole.
- NEVER overfill batteries as battery and machine damage may result.
- ALWAYS wipe any acid from the top of batteries using a soap solution.
- ALWAYS reattach caps to batteries. Do not charge with caps loose or removed.
- ONLY use distilled water.



## GROUNDING OF ELECTRICAL EQUIPMENT - BATTERY CHARGER



**WARNING:** Improper connection of the equipment-grounding conductor can result in a risk of electric shock. Check with a qualified electrician or service person if you are in doubt as to whether the outlet is properly grounded. Do not modify the plug provided with the charger. If outlet is not suitable for safe use; have a properly grounded outlet installed by a qualified electrician.

**North America:** Always use a properly grounded 3-wire extension cord, which has male and female plugs. If 25 foot [7.6m] extension cords are used, the electrical carrying capacity should be no less than 14-3 ST, 50 foot [15.2m] extension cords no less than 12-3 ST.

### Grounding Instructions

This charger shall be grounded while in use to protect the operator from electric shock. The charger is provided with a three-conductor cord and a three-contact grounding type attachment plug. The plug must be plugged into an appropriate outlet that is properly installed and grounded in accordance with all local codes and ordinances. The green conductor in the cord is the ground wire. Never connect this wire to other than the grounding pin of the attachment plug.

If the cord provided with the charger has an attachment plug as shown in Figure A, below, it is intended for use on a nominal, 120-volt circuit. If a properly grounded receptacle as shown in Figure A is not available, an adaptor may be installed as shown in Figure B if the outlet box that houses the receptacle is grounded. Be sure to fasten the grounding tab (the green colored rigid ear, lug or the like extending from the adaptor) with a metal faceplate screw.

If the cord provided with the charger has an attachment plug as shown in Figure C, it is intended for use on a nominal 240-volt circuit (single phase only). Changes to the attachment plug or use of adaptors to other plug types must be done in accordance with local regulations.

Figure A

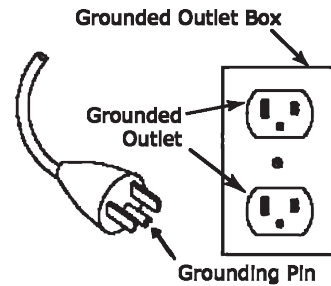
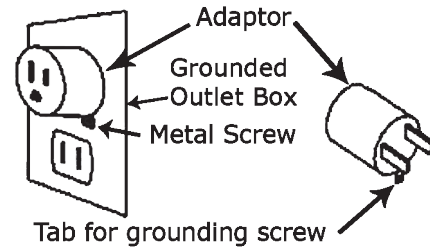
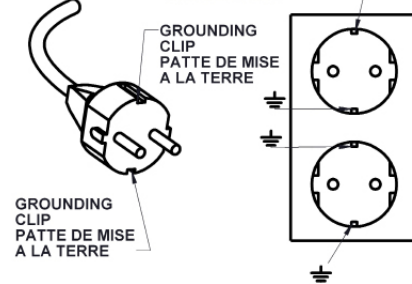


Figure B



**NOTE:** In Canada, the use of a temporary adaptor is not permitted by Canadian electrical code, C22.1.

FIGURE C  
230V NOMINAL / 50-60HZ  
1-PHASE  
SHUKO CORD (TYPE F)  
INTERNATIONAL  
MODELS ONLY



## Unpacking Instructions

1. Carefully cut the (2) bands from around the carton.
2. Remove staples and open top flaps.
3. Locate the rear of the machine where the pallet ramp is taped to the machine.
4. Remove staples at bottom of carton and lift carton from pallet. CAUTION-Stay clear of rear of carton when lifting carton, the ramp can fall backward.
5. Fold down ramp taking care that it rests completely and securely on the edge of the pallet.
6. Remove the lag bolts holding the (2) pallet anchors to the pallet (7/16in wrench required).
7. Remove and read all operating instructions.
8. Check that the key switch is off.
9. Open the battery compartment.
10. Plug the battery connector into the connector located at base of control panel behind the batteries.
11. Check that the circuit breaker on rear panel is ON.
12. Turn on the keyswitch. The battery meter will light.
13. Taking care that the casters line up with the ramp, slowly drive the machine backward off the pallet.
14. Recycle the carton and pallet.



Recycle the packaging.

## Machine Inspection

- After unpacking, inspect the machine for damage or missing components. If damage is found, contact the freight company to file a freight claim.

### Before First Use



Battery Installation to be performed by qualified technician according to the battery connections diagram on the machine (See Marking #2).

- Lift open the Recovery Tank (#21 Figure 1) using the strap (#32 Figure 4).
- Plug the battery pack connector (#30 Figure 4) into the mating connector on the machine.
- Install the squeegee, and connect the hose to the squeegee. See SQUEEGEE INSTALLATION section.
- Install pads/brushes. See PAD/BRUSH INSTALLATION section.
- Charge the batteries fully. SEE BATTERY CHARGER SECTION.
- Note: The machine is disabled when the battery charger is connected to the wall outlet.

## MACHINE COMPONENTS

### Operator Control Panel

The operator control panel is located at the upper rear area of the back of the machine. This panel has components that control various machine functions.

#### Wrangler 2012 AB (See Figure 6):

- The key switch (#42) located in the back of the control box turns the machine on and off. Power on is indicated when the Battery Meter (#41) is illuminated.
- The Operator Handles (#39) allow the operator to control the direction of the machine.
- The Battery Meter (#41) shows the state of charge of batteries. Fully charged batteries indicated when the right LED bar is lit. The LED bar will move to the left as the batteries are discharged. 70% discharge indicated by the second left LED bar flashing. 80% discharge indicated by alternate both left LED bars flashing. The battery meter is equipped with a relay that will open, turning off the machine, when the battery voltage has dropped to its lowest permissible level.
- The Hour Meter (#41) indicates the hours the Brush Motor has been used. The hour meter is non resettable.
- The switch lever (#40) in front of the right control handle grip (#39) turns on the Brush/Pad Motor and dispenses the solution when the brush/pad motor switch (#24) is on.
- The Circuit Breaker (#36) controls the Brush/Pad Motor. Push in to reset.
- The Circuit Breaker (#38) controls the Vacuum Motor. Push in to rest.

#### Left Control Panel (See Figure 2.)

- The Vacuum switch (#23) controls the Vacuum Motor.
- The Brush/Pad Motor switch (#24) controls the Brush/Pad Motor.
- The Battery Charger Fuse (#25) must be in working order for the machine to work.

#### Wrangler 2012 DB (See Figure 5):

- The key switch (#35) located in the right control panel turns the machine on and off. Power on is indicated when the Battery Meter (#34) above the key switch is illuminated.
- The battery meter (#34) shows the state of charge of batteries during operation. When the batteries are fully charged, all of the LED's are illuminated. As the batteries discharge, the LED's start to turn off, one at a time, from right to left. The battery meter is equipped with a relay that will open, turning off the machine, when the battery voltage has dropped to its lowest permissible level. If the machine is operated until it is automatically shut off, turn off the key switch, the brush switch, and the vacuum switch. Then turn on the key switch, and the machine can be driven to a charging location.
- In the middle of the operator panel are two (2) rubber twist grips (#33). These grips rotate forward moving and backward to control the direction and speed of the machine. The farther the grips are rotated, the faster the machine will move. These twist grips have a feature that returns the machine to the neutral position when the handles are released.
- The Brush/Pad Motor turns on when the brush/pad switch (#24 Figure 2) is on and the twist grips are rotated in either direction.
- The solution is dispensed when the brush/pad switch (#24 Figure 2) is on and the twist grips are rotated in either direction but does not control the amount of solution dispensed.
- The Circuit Breaker (#36) controls the Brush/Pad Motor. Push in to reset.
- The Circuit Breaker (#37) controls the Drive Motor Controller and the machine. Push in to reset.
- The Circuit Breaker (#38) controls the Vacuum Motor. Push in to rest.

#### Left Control Panel (See Figure 2.)

- The Vacuum switch (#23) controls the Vacuum Motor.
- The Brush/Pad Motor switch (#24) controls the Brush/Pad Motor.
- The Battery Charger Fuse (#25) must be in working order for the machine to work.

### Common Machine Components

#### (See Figures 1,3 and 4)

#### Solution Tank

- The solution tank (#18) is the lower part of the machine body and has a capacity of 12 gal (45 L).
- The solution tank can be filled through the front fill opening (#28). Lift the cover to access the opening. Replace cover to prevent splashing when machine is moving.
- The solution tank can be filled through the rear fill opening (#3). Lift the plug to access the opening. Replace the plug to prevent splashing when the machine is moving.
- The amount of water in the solution tank is seen in the site gage and drain hose (#17) at the right rear of the tank. The solution tank can also be emptied through this hose.

#### Recovery Tank

- The recovery tank (#21) is the upper part of the machine body and has a capacity of 14 gal (53 L).
- The recovery tank collects the dirty solution.

### Recovery Tank Drain Hose

- The recovery tank drain hose (#19) is used to drain the recovery tank. Remove the hose from the holding clip, to remove the drain cap (#20), push down and turn it. Drain the dirty solution into a slop sink or drain.

### Recovery Tank Lid

- The recovery tank lid (#22) closes off the recovery tank's opening.
- Lifting the Lid accesses the Debris Trap (#27).
- Lifting the lid accesses the float shut-off (#26)

### Debris Trap

- The debris trap (#27) collects large debris preventing clogs in the drain hose, slop sinks and drains.
- The debris tray is easily removed for emptying.

### Float Shut Off

- As the water level rises in the recovery tank, the float ball in the Float Shut off (#26) will rise into the tube and shut of the airflow of the vacuum. NOTE: The float shut-off assembly does not shut off the vacuum motor.
- The shut off float is removeable for cleaning. NEVER use the machine without the shut off float in place.

### Solution Control Valve

- The solution control valve (#12) is located on the left rear side of the machine. This valve controls the amount of liquid put on the floor when cleaning. Turn the valve handle to the vertical position to close the valve. Turn the valve horizontal for full flow. Turn the valve any where inbetween to control the flow.

### Solution Filter Assembly

- Attached to the solution control valve under the machine is a solution canister filter (#11) designed to stop debris from entering the solution solenoid valve.
- If the solution stops flowing to the brush, close the solution control valve and unscrew the canister bowl (by hand), remove and clean the screen.

### Battery Compartment

- The batteries (#29) are located in the battery compartment.
- To access the bateries, Lift up on the strap (#32) located on the right side of the recovery tank.
- The battery disconnect (#30) is located in the battery compartment. The battery disconnect disconnects the batteries from the machine. ALWAYS disconnect the batteries before performing any maintenance or repairs.

### Battery Compartment Drain Hose

- The battery compartment drain hose (#16) is on the left side of the control panel. The spilled liquids from the battery compartment collect in it. A pinch clamp is used to hold it closed.
- Inspect the hose for liquid level on a weekly basis.
- Dispose of liquids according to your local and federal regulations.

### Brush/Pad Motor

- The foot pedal (#6) on the right side of the rear machine is used to raise or lower the brush motor.
- The brush/pad motor has carbon brushes that

must be serviced on a regular basis. The carbon brushes have an expected life of 2,000 operating hours. Refer to the maintenance section later in this book.

### Brush/Pad Motor Pressure Lever

- The brush/pad motor lever (#4) controls pressure to the brush/pad on the floor.
- When the brush/pad motor is on the floor and the lever is in the down/floating position, this is the float setting. This setting is the weight of the brush/pad motor only.
- When the brush/pad motor is on the floor, raise the lever up and to the right and it will set on a stop. This is the heavy pressure setting.

### Squeegee

- The squeegee (#10) is used to remove the dirty solution from the floor after scrubbing.

### Squeegee Bracket/Raise and Lower Pedal

- The Squeegee (#10) mounts on the squeegee bracket (#9). The squeegee is removable for cleaning and blade replacement.
- The squeegee knobs (#8) hold the squeegee in place.
- The squeegee hose (#7) carries the dirty solution to the recovery tank.
- The squeegee bracket is also used as a pedal to raise and lower the squeegee to and from the floor.
- Step on the pedal to lower the squeegee to the floor and lift up on the pedal with your toe to raise the squeegee from the floor.

### Brush/Pad Locking Lever

- The brush/pad locking lever (#15) locks the drive casting making brush/pad removal easy.
- The lever is located on the left side of the motor cover.
- Pull the lever forward and turn the brush/pad CCW to remove (See markings #12 and #13).
- NOTE: The lever is not used to install the brush/pad. The drive casting has a centering device to help with installing the brush/pad.

### Skirt and Skirt brush

- The skirt (#14) keeps operator and bystanders away from rotating parts.
- The skirt brush (#13) keeps solution from splashing out from under the skirt. DO NOT use the machine when the skirt brush is not in place.

### Battery Charger

- The battery charger is located inside the rear panel.
- The battery charger operation can be viewed through the battery charger window (#1).
- The battery charger cord can be removed from the machine when unplugged from the battery charger receptical (#2).
- The cord for the battery charger can be stored on the machine using the battery charger cord wrap (#5).

### Vacuum Motor

- The vacuum motor(#31) is mounted to the underside of the recovery (top) tank.
- This motor has carbon brushes that must be serviced on a regular basis. The carbon brushes have an expected life of 700 operating hours.

## Battery Charger

### Battery Charger Operating Instructions - SPE CBHD1-XR-P-24-13

#### GENERAL INFORMATION AND WARNINGS

- When the machine is not supplied with batteries installed, the battery charger set to Curve #0 for Crown 130AH batteries.
- When the machine is supplied with batteries installed, the battery charger is set by the NSS factory for the installed batteries.
- Electronic automatic battery charger with micro-processor suitable for any battery type.
- Universal input voltage: 100-240 VAC
- Fully automatic charging cycle with electronic settings; protected against overload, short-circuit at clamps and reversed polarity.
- Before starting to charge, make sure the voltage of the equipment suits the voltage of the battery, that the charging current suits the capacity of the battery and that the selected charging curve (for lead-acid batteries or airtight gel batteries) is correct for the type of battery to be charged. In addition, make sure the rated input voltage of the charger suits the available supply voltage and the system is equipped with grounding.
- Pay attention to any remarks of the battery manufacturer.

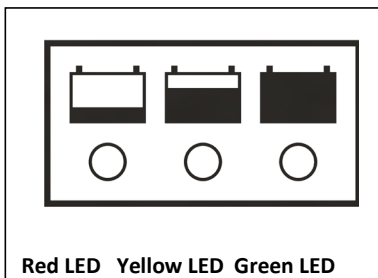
#### OPERATING PRINCIPAL OF THE CBHD1-XR-P

When powering up the battery charger it will display either the flashing Red LED or Green LED for 5 seconds while it checks the AC input voltage and the DC battery voltage and decide whether or not to start the charging process. Flashing Red LED at start up indicates one of the two WET charging curves. Flashing Green LED at start up indicates one of the two AGM/GEL charging curves. If the battery is not connected to the battery charger or if there is an anomaly, the Yellow LED will flash. If the result is positive after 1 second, the charging of the battery will start with the Red LED on. The output relay closes and the current of the first phase rises slowly until the programmed nominal value is reached. If the user disconnects the battery from the battery charger during charging, the Red, Yellow and Green LED's will be on for 1 second. After that, the battery charger will reset. The progress of the charging process is shown by three LED's: Red, Yellow and Green as typical for the battery charger product range. The Green LED indicates the end of the charging or the last phase in the case of a deep charging process. When charging is finished, the relay is opened to disconnect.

#### OPERATION INSTRUCTIONS

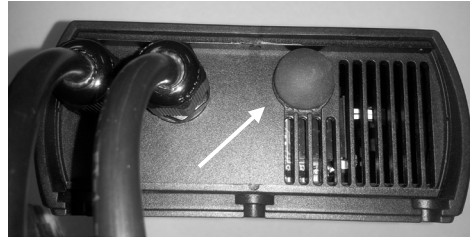
- Plug the cord into a socket.
- The charging cycle progress will be shown by Red, Yellow and Green LED indicators. At the end of the charge, when the green indicator is on, unplug the cord from the socket and operate the machine.

#### Front label on Battery Charger SPE CBHD1-XR-P

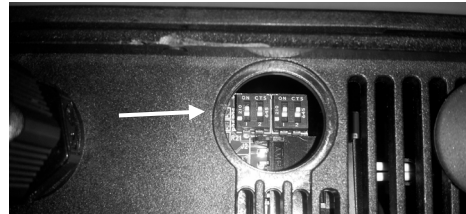


## CBHD1-XR-P DIP SWITCH LOCATION

The set of 4-dip switches are easy to find (located under the round rubber plug next to the power cord) without opening the charger.

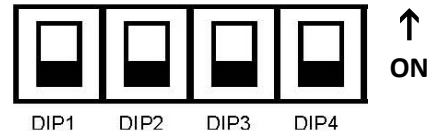


Use a small screwdriver to move the dipswitches up and down.



#### Battery Charger DIP Settings

Through the set of 4 dipswitches it is possible to change the charging curve (4 charging curves are available for Wet and Gel batteries). The set of 4-dip switches are easy to find (located under the round rubber plug next to the power cord) without opening the charger.



#### DIP1 DIP2 for selection of the Charging Curve

DIP 1	DIP 2	DIP 3	DIP 4	CHARGING CURVE
ON	ON	N/A	N/A	0 - Special Curve for charging CROWN Lead-Acid (wet) batteries. SETTING FOR NSS 2392111 - BATTERY, WET 12V, 115 AMP/HR 6393651 - BATTERY WET, 12V, 130 AMP/HR
OFF	ON	N/A	N/A	1 - Curve for charging AGM SEALED LEAD-ACID batteries w/float charge. SETTING FOR NSS 2392731 AGM BATTERY, 12V, 98AMP/HR, 7696501 AGM BATTERY, 12V, 110AMP/HR
ON	OFF	N/A	N/A	2 - Curve for charging typical GEL sealed lead acid batteries.
OFF	OFF	N/A	N/A	3 - Wet batteries with float, 3.5A finish.

N/A - DIPSWITCH SETTINGS FOR DIP3 AND DIP4 DO NOT EFFECT CHARGING CURVE

## Battery Charger Indicator LED's

The following table details the operation of the three LED's of the CBHD1-XR-P Battery Charger.

SIGNAL (LED)	MEANING
Red LED on	First and/or second phase of charge in progress
Yellow LED on	Second or third phase of charge in progress
Green LED on	End of charge or maintenance phase
PROBLEMS	SOLUTIONS AND CHECKS
The battery charger does not switch on	Check that the plug is connected to the supply mains and that the circuit breaker is efficient.
The charging cycle does not start.	Check the connection to the battery and the polarity.
The Yellow LED indicator flashing	Unsuitable battery (battery voltage lower than 4.0Volts or higher than 3.0 Volts per cell) or battery not connected or output short circuit.
Red and Yellow LED flashing	Battery voltage higher than 4.0 Volts but lower than 1.4 Volts per cell
Red and Green LED On or flashing continuously	Internal overtemperature error (the charger stays on with output current = 0.0A until the temperature is OK. Then it restarts the charging process (reset).
Red LED flashing	Safety timer exceeded. Internal short circuit (Output over-current)
Red, Yellow and Green LED flashing every second	All charging profile parameters are not programmed to the EEPROM of the charger.
Red, Yellow and Green LED flashing continuously	The charging profile parameters of the selected charging profile are not programmed to the EEPROM of the charger or charging profile not active.



**WARNING** - Do not use the charger if the settings do not match the battery type and size installed in the machine. CALL FOR SERVICE

### Setting the Battery Charger

The battery charger must be removed from the machine to change the settings. The settings must be changed by a qualified technician.



**WARNING**-When replacing NSS supplied batteries, or installing batteries purchased from another source, the battery charger must be set to the correct curve and charge current for the batteries being installed.

Do not throw the batteries into the regular waste.

## Operating Instructions

See Controls section for description of machine control components.



**WARNING**-To prevent unauthorized use of the machine, always switch off the keyswitch and remove the key when the machine is to be left unattended.



**DANGER**  
Danger of machine tipping if gradient exceeds 9%. On grades over 2%, always travel forward or reverse parallel to the grade.  
Danger of tipping on unstable ground - use only on smooth surfaces.  
Danger of slipping on wet floors - move slowly in slippery conditions.

**Wrangler 2012 DB - TO STOP THE MACHINE QUICKLY, RELEASE THE TWIST GRIPS.** The twist grips will automatically return to neutral position and halt the machine.

### Squeegee Installation

See Figure 1.

- Loosen Squeegee Knobs (#8).
- Slide the Squeegee (#10) onto the squeegee bracket (#9) behind the machine and tighten the knobs.
- Push the Squeegee Hose (#7) onto the squeegee.

### Pad/Brush Installation



**WARNING** - Ensure the Scrub Deck is up, and the keyswitch is OFF.

See Figure 1.

- Use brush pedal (#6) to lift up the Scrub Deck Skirt (#14).
- Slide the brush/pad driver under the deck.
- The drive casting has a centering device. Lift up on the brush/pad driver and locate the center with the drive casting.
- Turn the brush/pad driver CW until it stops.

### Filling the Clean Water Tank



**WARNINGS**  
Do not use flammable liquids.  
Never use water over 140°F (60°C).  
Only use cleaning detergents free from solvents, hydrochloric acid and hydrofluoric acid.  
Follow safety instructions provided with the cleaning detergents.  
Follow detergent manufacturer's instructions regarding Personal Protective Equipment.  
Do not use high foaming detergents.

See Figures 1 and 4.

- Remove the Clean Water Cover (#28) (front) or Plug (#3) (back) from the solution tank (#18).
- Fill with water up to the desired level. DO NOT leave the machine unattended when filling.
- A water level site gage is located at the back of the machine.
- Pour in detergent if desired according to detergent manufacturer's instructions.
- Wipe spilled water/detergent from the machine surfaces.
- Replace the Cover (front) and/or Plug (back).

## Basic Cleaning Operation

- Sweep and dust mop the floor to remove dirt and debris before scrubbing. Accumulations of dirt or debris on the floor will reduce cleaning performance.
- You may also need to pre-clean some types of spills or stains before scrubbing.
- Plan your work so that you make long, straight paths with the fewest amount of turns possible, overlapping each cleaning path about 2 in. (5 cm.) to prevent streaking and dirty areas.
- Move the machine to the area to be cleaned.
- Set the solution flow valve to the desired flow rate.
- Lower the brush/pad head to the floor.
- Select the desired pad pressure.
- Lower the squeegee to the floor.
- Turn on the brush switch.
- Wrangler 2012 DB - The brush/pad motor and solution will start when the twist grips are activated and the machine starts moving.
- Wrangler 2012 AB - The brush/pad motor and solution will start when the brush/pad lever switch is activated. Give the machine a push to get it moving.
- Turn on the vacuum motor switch. The vacuum motor will start without moving the machine.
- Clean desired area.
- When the area is cleaned, take the machine to an approved disposal drain and turn off all switches.
- Remove the drain hose from its hold on the back of the machine. Raise the end of the hose above the level of the recovery tank, loosen and remove the hose drain plug. Carefully direct the drain hose into the drain.
- Drain the recovery tank until it is empty. If any dirty solution remains, lift the recovery tank by its strap, the remaining dirty solution will drain. Replace and tighten the drain plug. Place the drain hose back into its hold clip.

## User Maintenance



**CAUTION** - Do not spray high pressure water on any part of this machine. Always wipe all surfaces with a clean cloth.

Every day, empty all liquids from both solution and recovery tanks and allow to air dry to prevent odors.

### Draining the Clean Water Tank

Do not leave detergent mix in tank for more than 24hrs. Clogging of strainer and lines may result.

See Figures 1 and 2.

- Remove the squeegee hose (#7) from the squeegee.
- Turn on the vacuum motor switch (#23).
- Remove the Solution Tank Drain Hose (#17).
- Place the solution drain hose into the vacuum hose and remove the solution from the solution tank to the recovery tank.

### Draining/Cleaning the Recovery Tank

Drain and clean after each use.

See Figures 1 and 3.

- Remove the Drain Hose (#19) from the holding clip at the back of the machine.
- Remove the drain plug (#20) by turning it counter clockwise.
- Drain the dirty water in appropriate drain area.
- Open the Recovery Tank Lid (#22).
- Remove and clean the Debris Trap (#27).
- Remove and clean the Float (#26).
- Rinse the Recovery Tank (#21). Lift the recovery tank by its strap, any remaining water will drain.
- Install the Drain Hose plug, and return the drain hose to its holding clip.

## Clean Water Filter Maintenance

Clean the filter weekly

See Figure 1.

- Turn off the Clean water valve #12.
- Unscrew the Clean water filter canister #11.
- Remove and clean the screen.
- Replace the screen into the canister.
- Screw the canister back in place.
- Turn ON the Clean water valve #12.

## Squeegee Maintenance

Clean the squeegee and inspect the blades daily.

See Figure 1

- Remove the Squeegee (#10) from the squeegee bracket (#9).
- Set the squeegee upside down on the floor or bench.
- Release the Blade Holding Clamp.
- Remove the blades, clean, inspect for wear, rotate or replace as necessary.
- Set the blades back into the squeegee, with equal amounts of blade hanging past both ends of the squeegee housing.
- Replace the Blade Holding Clamp.
- Pull slightly on the right end of the rear blade, and latch the clamp.

## Adjusting the Blade Holding Clamp

In case the squeegee blades are being pulled out of the housing during use:

- Loosen the lock nut on the clamp's rod.
- Turn the rod in to shorten its adjustment.
- Tighten the lock nut, and resume cleaning.
- Repeat the above as required until the blades remain in place.

## Pads/Brushes

Inspect the pads/brushes for wear daily. Replace as necessary.

## Battery Compartment Drain



**CAUTION** - Catch and dispose of battery acid in accordance with local regulations.

See Figure 1.

- Drain the battery compartment weekly.
- After User Maintenance is complete, turn off the Keyswitch, and charge the batteries.

## Battery Maintenance

Charge the batteries after each use.

**CAUTION:** DIFFERENT BATTERY TYPES HAVE DIFFERENT CHARGING REQUIREMENTS. FAILURE TO PROPERLY IDENTIFY YOUR BATTERY TYPE AND SET THE CHARGER ACCORDINGLY WILL RESULT IN BATTERY DAMAGE, AND VOID THE WARRANTY.

The battery charger is fully automatic. Simply plug the charger into a suitable wall outlet, and the charger will charge the batteries. The green full battery LED will be continuously illuminated when the charge cycle is complete.

A bubbling, or boiling sound coming from the batteries during the last few hours of the charge is normal. The batteries may be warm, but not too hot to touch.

## Equalizing the batteries (Flooded only)

The batteries should be equalized once every 30 days for maximum battery runtime and life.

To equalize the batteries:

- Plug in the charger, and fully charge the batteries (until the green LED is on continuously).
- Unplug the charger from the wall outlet, then plug it back in.
- The charger will run for ~2hrs, holding the batteries at a constant voltage, and equalizing each cell.

### Battery Do's and Don'ts:

- You do not have to fully discharge the batteries before charging. They do not have a "memory".
- Plug the charger in anytime the machine is not in use.
- NEVER let the electrolyte level fall below the tops of the plates (flooded cell batteries). This will damage your batteries almost immediately, and void the battery warranty. They can tell if this happened.
- NEVER refill the batteries with well or tap water (flooded cell batteries).
- NEVER overflow the batteries (flooded cell batteries).
- NEVER let the batteries sit discharged overnight (or between shifts).
- ALWAYS check the electrolyte level about every 3 or 4 charge/discharge cycles BEFORE CHARGING.
- ALWAYS refill the batteries with distilled water (if needed) AFTER CHARGING.
- ALWAYS fully recharge the batteries after use (until the green LED comes on).
- ALWAYS equalize the batteries (Flooded only) every 30 days.

### Opportunity Charging

Opportunity charging is charging the batteries when an opportunity presents itself, such as during breaks, and is done in addition to a full charge cycle. Opportunity charging is recommended, as this extra charging time will help raise the operating voltage of the batteries, and will help ensure maximum runtime and cycle life. When opportunity charging, equalize weekly.

### Monthly Maintenance (or every 100hrs)

- Clean the battery terminals.
- Clean the seal between the Lid and the Recovery Tank.

### Washing Instructions



**CAUTION** - DO NOT SPRAY WATER ON ANY PART OF THIS MACHINE, MACHINE COMPONENTS COULD BE DAMAGED.

- Wipe down the machine's exterior surface with a damp cloth.

All other servicing should be performed by an authorized NSS Service Representative.

### Mandatory Periodic Maintenance


It is mandatory that the following maintenance procedure be performed at the described interval. Failure to perform this procedure may result in poor machine performance, component damage and failure. This procedure should be performed by an NSS authorized distributor or service center. Repairs not performed by an unauthorized company will void the machine warranty. If you require assistance finding an authorized service center, contact NSS Enterprises.

- After every 450-500 hours of operation you must inspect vacuum motor carbon brushes for wear. Replace the vacuum motor carbon brushes when they are 7/16 in. [11 mm] in length.
- After every 650-700 hours of operation you must inspect the brush motor carbon brushes for wear. Replace the brush motor carbon brushes when they are 1/2 in. [13 mm] in length.
- Wrangler 2012 DB only - After every 650-700 hours of operation you must inspect the drive motor (transaxle) carbon brushes for wear. Replace the drive motor (transaxle) carbon brushes when they are 3/8 in. [9 mm] in length.

## Troubleshooting






Problem	Cause	Solution
Machine will not turn on	-Batter pack not connected. -Battery charger is on. -Batteries discharged. -Circuit breaker tripped	-Connect the battery pack. -Unplug the charger. -Charge the batteries. -Reset the circuit breaker
Machine does not pick up water	-Recovery tank full. -Float ball stuck. -Squeegee hose or standpipe plugged. -Squeegee hose not connected. -Squeegee blades worn. -Squeegee blades loose. -Hole in squeegee hose. -Vacuum motor fuse blown. -Squeegee linkage damaged.	-Drain recovery tank. -Clean float screen and ball. -Clear squeegee hose and standpipe. -Connect Squeegee hose. -Flip or replace blades. -Adjust latch on band clamp. -Replace squeegee hose. -Call for service. -Call for service.
No water flow	-Clean water filter clogged. -Water valve closed. -water pump fuse blown.	-clean the filter/screen. -Turn on valve -Call for service.
Water leaks on floor with machine off	-Dispensing Valve dirty or damaged.	-Call for service.
Run time is less than when new	-Batteries damaged due to low electrolyte.  -Battery terminals dirty. -Batteries not being fully charged.  -Batteries worn out.	-Fill each cell with distilled water, charge, check for improvement. -Clean the terminals. -Allow charger to finish charging before unplugging. -Replace batteries.
Uneven cleaning	-Pad/Brush worn out. -Scrub deck/linkage damaged.	-Replace pads/brushes. -Call for service.

## Performance Specifications

		Wrangler 2012 AB	Wrangler 2012 DB
Cleaning Path	in (mm)	20 (508)	
Ø Pad/Brush	in (mm)	20 (508)	
Squeegee Width	in (mm)	32.5 (825.5)	
Clean Water Capacity	gal (l)	12 (45)	
Recovery Tank Capacity	gal (l)	14 (53)	
Scrub Deck Down Force	lb (kg)	45 (20) 60 (27)	45 (20) 60 (27)
Pad/Brush Speed		150	
Solution Flow Rate	gpm (l/min)	0 - .6 (0 - 2.2)	
Recovery Vacuum	in H2O (kPa)	46 (11.5)	
Recovery Airflow	cfm (l/s)	68 (32)	
Min Aisle Turn Around	in (mm)	54 (1372)	
Max Speed	mph (km/h)	N/A	F- 2.3 (3.7) R- 1.4 (2.25)
Maximum Working Grade	%	2	9
Runtime	h	110ah AGM: Up to 2.7 130ah Wet: Up to 3.0	
Brush Motor Power	W (hp)	380 (.51)	



## Technical Specifications

		Wrangler 2012 AB	Wrangler 2012 DB
Width (excl. squeegee)	in (mm)	22 (559)	
Height	in (mm)	42 (1067)	
Length	in (mm)	52 (1321)	
 GVW	lb (kg)	518 (1294)	468 (1309)
 EMPTY	lb (kg)	318 (510)	368 (525)
 TRANSPORT	lb (kg)	368 (931)	418 (946)
	°F (°C)	40°- 113° (5° - 45°)	
Protection Rating		IPx2	
	V	24 ---	
Rated Power	W	840	
EN/UL 60335-2-72			
Sound pressure level $L_{pA}$	dB(A)	≤62	
Sound power level $L_{WA}+K_{WA}$	dB(A)	77	
Vibration-Hand-arm	m/s <sup>2</sup>	≤1	

## Batteries

Batteries	Qty	Volts	Ah (20hr)
Standard Battery (Wet)	2	12	130
AGM Battery	2	12	110
Battery Compartment Dimensions length x width x height in (mm)	12.96 x 7.13 x 11.13 (329 x 181 x 283)		

## Battery Charger

Feature	Rating
Input Ratings	100/240V 50-60Hz 4.5A max
Output Ratings	24V - 13A
# of charge curves	4
Curve Selection	DIP Switch Selection
Regulatory	cULus, CE, CEC

## Storage

### PROTECT FROM FREEZING

Store the machine indoors - 40°- 104°F (5° - 40°C).

## Scrapping

Contact a qualified scrapping service provider to dispose of the machine.  
Ensure the following materials are scrapped according to the Laws in force:

- Batteries.
- Plastic containing components.
- Electrical and electronic components.



## EC DECLARATION OF CONFORMITY



(FR) DECLARATION DE CONFORMITÉ (ES) DECLARACIÓN DE CONFORMIDAD (DE) KONFORMITÄTSEKTLÄRUNG (NL) VERKLARING VAN OVEREENSTEMMING (P) DECLARAÇÃO DE CONFORMIDADE (SV) DEKLARATION OM ÖVERENSSTÄMMELSE (DK) OVERENSSTEMMELSESEKTLÆRING (N) KONFORMITETSEKTLÆRING (FIN) VAATIMUSTENMUKAISUUSVAKUUTUS (GR) ΔΗΛΩΣΗ ΕΝΑΡΜΟΝΙΣΗΣ

NSS ENTERPRISES, INC 3115 FRENCHMENS ROAD TOLEDO OHIO U.S.A. 43607 - 2958 PHONE 419/531-2121

Authorized Technical Documentation Representative; Mark Bevington, NSS ENTERPRISES, INC. Unit 7 Pinfold Business Park, 55 Nottingham Road, Stapleford, Nottingham, NG9 8AD

MACHINE/MACCHINA/MAQUINA/BEZEICHNUNG DER MASCHINE/MAQUINA/MASKIN/KONE/ MASKINE/MHXANH:  
**SCRUBBER-DRYER**

TYPE/TIPO/MASCHINENTYP/TYYPPI/ ΤΥΠΟΣ: **Wrangler 2012 AB, Wrangler 2012 DB**

(EN) NSS ENTERPRISES, INC. declares that the machine specified above fulfills all relevant provisions of the following Directives and Standards:  
(IT) NSS Enterprises, Inc. Dichiaro che il macchinario di cui sopra soddisfa tutte le pertinenti disposizioni delle seguenti direttive e standard:  
(FR) NSS ENTREPRISES, INC déclare que la machine indiquée ci-dessus satisfait à toutes les dispositions pertinentes des directives et des normes suivantes :

(ES) NSS ENTERPRISES, Inc. Declara que el equipo especificado anteriormente cumple con todas las disposiciones pertinentes de las directivas y normas siguientes:

(DE) NSS ENTERPRISES, INC erklärt, dass die Maschine oben angegebenen alle einschlägigen Bestimmungen der folgenden Richtlinien und Normen erfüllt:

(NL) NSS Enterprises, Inc verklaart dat de machine hierboven aangegeven alle relevante bepalingen van de volgende richtlijnen en normen voldoet:

(PT) NSS ENTERPRISES, INC declara que a máquina especificada acima cumpre todas as disposições pertinentes das directivas e padrões a seguir:

(SW) NSS Enterprises, Inc. Intygat att maskinen anges ovan uppfyller alla relevanta bestämmelser i följande direktiv och standarder:

(FI) NSS Enterprises, Inc. Vakuuttaa, että laite edellä täyttää kaikki asiaankuuluvat määräykset seuraavien direktiivien ja standardien:

(DK) NSS Enterprises, Inc. Erklærer, at maskinen er angivet ovenfor opfylder alle relevante bestemmelser i følgende direktiver og standarder:

(NO) NSS Enterprises, Inc. erklærer at maskinen er angitt ovenfor oppfyller alle relevante bestemmelser i følgende direktiver og standarder:

(GR) NSS Enterprises, Inc δηλώνει ότι η μηχανή που περιγράφεται ανωτέρω πληροί όλες τις σχετικές διατάξεις των ακόλουθων οδηγιών και προτύπων:

EU Directives/directive UE/directives de l'UE/Directivas de la UE/EU-Richtlinien/EU-richtlijnen/directivas da UE/EU-direktiv/EU-direktiivit/EU-direktiver/EU-direktiv/οδηγίες της Ε.Ε.:

**2006/42/EC Machinery Directive 2014/30/EU EMC Directive 2002/44/EC Vibration Directive**

Harmonized Standards/ Standard armonizzati/ normas armonizadas/ Normas armonizadas/ Harmoniserte Normen/ geharmoniseerde normen/ normas armonizadas/ harmoniserade standarder/ yhdenmukaistettujen standardien/ harmoniserede standarder/ harmoniserte standarder/ εναρμονισμένα Πρότυπα:

**EN12100-1, EN12100-2, ISO11201, EN55012, IEC61000-6-2, EN60335-2-72, ISO2631-1, ISO5349-1/-2, EN62233**

This declaration shall cease to be valid if modifications are made to the machine without our approval./ Questa dichiarazione non è più valida in caso di modifiche apportate alla macchina senza il nostro consenso./ Cette déclaration cessera d'être valable si des modifications sont apportées à la machine sans notre accord./ Esta declaración dejará de ser válida si se realizan modificaciones en la máquina sin nuestra aprobación./ Diese Erklärung gilt nicht mehr gültig sein, wenn Änderungen an der Maschine ohne unsere Zustimmung vorgenommen werden./ Deze verklaring verliest haar geldigheid wanneer wijzigingen worden aangebracht aan de machine zonder onze goedkeuring./ Esta declaração deixará de ser válido se as modificações são feitas para o aparelho sem a nossa aprovação./ Denna förklaring skall upphöra att gälla om ändringar görs på maskinen utan vårt godkännande./ Tämä ilmoitus lakkaa olemasta voimassa, jos tehdään muutoksia koneeseen ilman meidän hyväksyntää./ Denne erklæring ophører med at være gyldige, hvis der foretages ændringer på maskinen uden vores godkendelse./ Denne erklæringen skal opphøre å være gyldig dersom modifikasjoner på maskinen uten vårt samtykke./ Η δήλωση αυτή παύει να ισχύει, αν έχουν γίνει τροποποιήσεις στο μηχάνημα χωρίς την έγκρισή μας.

It is ensured through internal measures that series-production units conform at all times to the requirements of current EU Directives and relevant standards./ Si è assicurata da misure interne che serie unità di produzione sono conformi in ogni momento alle esigenze delle attuali direttive CE e alle normative applicate./ Elle est assurée par des mesures internes que les séries unités de production sont conformes en tout temps aux exigences des directives européennes et les normes actuelles pertinentes./ Se garantiza a través de medidas internas que las unidades de producción en serie ajustarse en todo momento a las necesidades de las actuales directivas de la UE y las normas pertinentes./ Es ist durch interne Maßnahmen, die Serien-Geräte entsprechen jederzeit den Anforderungen der aktuellen EU-Richtlinien und den angewandten Normen entsprechen./ Het wordt gewaarborgd door interne maatregelen die serie-productie-eenheden te allen tijde te voldoen aan de eisen van de huidige EU-richtlijnen en relevante normen./ É assegurado através de medidas internas que as unidades de produção em série conformam em todos os momentos com os requisitos das Directivas actuais da UE e padrões relevantes./ Det säkerställs genom interna åtgärder som serietillverkade enheterna överensstämmer alltid med kraven i gällande EU-direktiv och relevanta standarder./ Se on varmistettu sisäisiä toimenpiteitä että sarjatuotantoyksiköt täyttävät aina vaatimuksiin nykyisten EU-direktiivien ja asiaankuuluvat standardit./ Det sikres gjennom interne foranstaltninger, som serie-produksjonens enheder oppfyller til enhver tid til kravene i de nåværende EU-direktiver og relevante standarder./ Det er sikret gjennom interne tiltak som serieproduserte enhetene samsvarer til enhver tid til kravene i gjeldende EU-direktiver og relevante standarder./ Διασφαλίζεται μέσω εσωτερικών μέτρων που μαζικής παραγωγής μονάδες συμμορφώνονται ανά πάσα στιγμή με τις απαιτήσεις των ισχυουσών οδηγιών της ΕΕ και των σχετικών προτύπων.

Toledo, Ohio USA 07-2017

President, NSS ENTERPRISES, Inc.

Mark J. Bevington

## FRANÇAIS

### INSTRUCTIONS DE SÉCURITÉ IMPORTANTES



**AVERTISSEMENT** Lire ces

**instructions d'origine avant la première utilisation de l'appareil de la machine.**

### Instructions de sécurité

Cet appareil a été approuvé pour l'utilisation sur des surfaces avec une pente maximale de 9 %.

### Équipement de sécurité

Cet appareil est équipé de dispositifs pour protéger l'utilisateur, qui ne doivent pas être rendus inutilisables ou contournés.

### Symboles utilisés dans ces instructions



**DANGER** – Danger immédiat qui peut causer des blessures graves ou même la mort.



**AVERTISSEMENT** – Danger potentiel qui peut mener à des blessures graves ou même la mort.



**ATTENTION** – Danger potentiel qui peut mener à des blessures légères ou à des dommages aux biens.



Danger d'électrocution.



Lire le manuel d'utilisation.



Ne pas fumer près des batteries et éloigner les flammes nues ainsi que les étincelles.



Batteries - acide et hydrogène gazeux.



Toxique. Cause des brûlures graves. Éviter le contact.



Recycler l'emballage.



■ Mettre l'équipement au rebut grâce à des systèmes de collecte appropriée.

### Utilisation prévue

Le Wrangler 2012 AB et le Wrangler 2012 DB sont destinés à un usage commercial, pour le nettoyage humide des planchers de niveau dans un environnement intérieur, par exemple dans les hôtels, écoles, hôpitaux, usines, magasins, bureaux et entreprises de location.

### Instructions de sécurité importantes

TOUT SERVICE DE RÉPARATION DOIT ÊTRE EFFECTUÉ PAR UN DISTRIBUTEUR OU UNE STATION DE SERVICE AUTORISÉE PAR NSS, UTILISANT DES PIÈCES ORIGINALES NSS.



Utiliser cet appareil seulement selon les directives de ce manuel d'utilisation.

- Cette machine n'est pas destinée à une utilisation par des personnes (y compris les enfants) à capacité physique, sensorielle ou mentale réduite, ou n'ayant pas d'expérience ou de connaissance.
- Les enfants doivent être surveillés afin d'assurer qu'ils ne jouent pas avec l'appareil.
- **AVERTISSEMENT** Les opérateurs doivent être suffisamment instruits sur l'utilisation de cette machine.
- Cette machine ne doit être utilisée que pour le nettoyage de surfaces dures qui ne sont pas sensibles à l'humidité ou pour les fonctions de polissage.
- **ATTENTION** Cette machine est destinée uniquement à une utilisation intérieure.
- **ATTENTION** Cette machine doit être rangée à l'intérieur, dans un endroit sec et frais.
- **ATTENTION** Mettre l'interrupteur à clé en position arrêt avant de changer les tampons/brosses.
- Plage de température de fonctionnement : 5° à 45 °C (40° à 113 °F)
- Cette machine n'est pas appropriée pour le nettoyage de surfaces gelées (rangement froid).
- Ne pas faire fonctionner cette machine dans plus de 1 cm (3/8 po) d'eau.
- Utiliser seulement des accessoires et des pièces de marché de l'équipement d'origine (MEO).
- Cette machine n'est pas destinée à l'utilisation sur des routes/chemins de circulation publique.
- Ne pas utiliser cette machine sur des surfaces qui sont sensibles à la pression.
- Ne pas utiliser cette machine dans des milieux potentiellement explosifs.
- Ne pas aspirer des gaz ou liquides inflammables, des acides ou des solvants non dilués. Cela inclut l'essence, les agents diluants ou les huiles chaudes qui peuvent former un mélange explosif lorsque mélangés à l'air. Ne pas utiliser d'acétone, d'acides ou de solvants non dilués.
- L'huile d'écorce d'orange (D-limonène) n'est pas compatible avec les plastiques utilisés dans cette machine. L'utilisation de D-limonène peut entraîner des dommages à la machine.
- **NE JAMAIS** essayer de faire fonctionner cette machine si elle ne fonctionne pas de façon appropriée ou si elle est endommagée.
- **NE JAMAIS** déconnecter ou modifier un interrupteur ou un dispositif de sécurité (disjoncteur).
- **NE JAMAIS** laisser tomber ou insérer un objet dans une ouverture de la machine.
- **NE JAMAIS** faire fonctionner cette machine si un trou d'air est bloqué. Garder toutes les ouvertures d'air libres de poussière, de peluche, de cheveux, etc.
- **NE JAMAIS** ramasser un objet qui brûle ou qui dégage de la fumée, comme les cigarettes, les allumettes ou les cendres chaudes.
- **TOUJOURS** garder le visage, les doigts, les cheveux et toute autre partie du corps ou tout vêtement ample à l'écart de toute ouverture de la machine ou pièce en mouvement (brosse pivotante, entraîneur de tampon ou moteur de l'aspirateur).
- **TOUJOURS** mettre la machine en arrêt lors de la fixation de tampons ou de brosses.
- **TOUJOURS** retirer les clés lorsque la machine est laissée sans surveillance.

- TOUJOURS s'assurer que la rampe est sécurisée au véhicule avant de tenter un chargement/déchargement.
- TOUJOURS faire preuve de vigilance extrême en faisant fonctionner la machine sur une rampe, ou lors du chargement/déchargement de la machine sur un camion/une remorque. Faire preuve de vigilance extrême si la rampe est mouillée, huileuse ou couverte de produits chimiques nettoyants.
- NE JAMAIS arrêter ou tourner la machine sur une rampe ou une pente.
- NE JAMAIS essayer de monter une pente ou faire fonctionner cette machine sur une rampe ou une inclinaison qui dépasse sa capacité.
- NE JAMAIS stationner ou ranger cette machine à proximité d'un quai, sur des rampes, près d'un four, d'une chaudière, d'une flamme nue ou d'une autre source de chaleur élevée.
- NE JAMAIS laisser cette machine geler.
- NE JAMAIS exposer cette machine à la pluie, à la neige ou à des températures extrêmes.
- NE JAMAIS ranger des articles sur cette machine.

## Informations de sécurité des batteries.




- AVERTISSEMENT – Le défaut de respecter ces avertissements peut mener à des blessures à l'opérateur de la machine ou à des personnes à proximité.
- AVERTISSEMENT – Les batteries libèrent de l'hydrogène, qui peut causer un incendie ou une explosion.
- Ne jamais fumer, allumer une allumette ou causer une étincelle lors du fonctionnement ou du chargement.
- Toujours charger dans un endroit sec, bien aéré et loin de flammes nues.
- TOUJOURS lire et comprendre toutes les instructions avant de charger les batteries.
- NE JAMAIS essayer de charger les batteries à moins d'avoir la formation pour ce faire.
- NE JAMAIS laisser une personne sans formation installer ou charger les batteries.
- TOUJOURS porter une protection des yeux et des vêtements de protection pour éviter le contact avec l'acide des batteries.
- NE JAMAIS laisser quoi que ce soit sur les batteries, car cela pourrait mener à la formation d'arcs.
- EN CAS DE CONTACT AVEC L'ACIDE SULFURIQUE, suivre ces instructions :
  - PEAU : rincer la région avec de l'eau.
  - YEUX : rincer avec de l'eau pendant 15 minutes.
  - INTERNE : boire de l'eau ou du lait. Suivre de lait de magnésie, d'un œuf battu ou de l'huile végétale. Appeler immédiatement un médecin.

## Sécurité de charge des batteries



- AVERTISSEMENT:** Débranchez le chargeur de batterie de la prise murale avant de déconnecter les batteries de la machine pour éviter la formation d'arc ou l'endommagement de la machine.
- TOUJOURS charger les batteries lorsque le boîtier supérieur est ouvert.
- TOUJOURS lire les instructions attentivement.
  - TOUJOURS utiliser le chargeur fourni par NSS, avec la capacité de tension appropriée.
  - TOUJOURS brancher le chargeur dans une prise de courant mise à la terre.
  - NE JAMAIS faire fonctionner le chargeur si le cordon d'alimentation c.a. est endommagé, ou si

- le chargeur est endommagé de toute façon.
- NE JAMAIS charger une batterie gelée.
- Pour les batteries inondées d'acide (ne s'applique pas aux batteries sans entretien) :
  - TOUJOURS vérifier que le niveau d'eau de la batterie couvre les plaques de la batterie avant de charger.
  - TOUJOURS vérifier le niveau d'eau après la charge et ajouter de l'eau distillée, au besoin, pour mettre le niveau au fond du trou de remplissage.
-  NE JAMAIS trop remplir les batteries, puisque cela pourrait endommager la batterie et la machine.
- TOUJOURS essuyer tout acide sur le dessus des batteries à l'aide d'une solution de savon.
- TOUJOURS rattacher les bouchons aux batteries. Ne pas charger si les bouchons sont desserrés ou retirés.
- Utiliser SEULEMENT de l'eau distillée.

## MISE À LA TERRE DE L'ÉQUIPEMENT ÉLECTRIQUE – CHARGEUR DE BATTERIE



**AVERTISSEMENT :** une connexion non appropriée du conducteur de mise à la terre de l'équipement peut entraîner un risque de décharge électrique. En cas de doute, vérifier auprès d'un électricien ou un technicien de service qualifié si la prise est bien mise à la terre. Ne pas modifier la fiche fournie avec le chargeur. Si la prise n'est pas appropriée pour une utilisation sécuritaire, faire installer une prise mise à la terre par un électricien qualifié.

Amérique du Nord : toujours utiliser une rallonge à trois fiches, bien mise à la terre, qui a des fiches mâles et femelles. Lors d'utilisation de rallonges de 7,6 m (25 pi), la charge d'intensité électrique devrait être au moins 14-3 ST; les rallonges de 15,2 m (50 pi) d'au moins 12-3 ST.

Instructions de mise à la terre

Ce chargeur doit être mis à la terre lors de l'utilisation pour protéger l'opérateur contre des décharges électriques. Ce chargeur est fourni avec un cordon électrique à trois fiches et une prise de fixation avec mise à la terre à trois contacts. Cette fiche doit être branchée dans une prise appropriée qui est bien installée et mise à la terre conformément aux codes et ordonnances locales. Le conducteur vert dans le cordon électrique est le câble de mise à la terre. Ne jamais connecter ce câble à autre chose que la goupille de mise à la terre de la fiche.

Si le cordon électrique fourni avec le chargeur a une fiche comme illustrée dans la figure A ci-dessous, il est destiné à une utilisation sur un circuit nominal de 120 volts. Si une prise de courant bien mise à la terre, comme illustré dans la figure A, n'est pas disponible, un adaptateur peut être installé, comme illustré dans la figure B, si la boîte de sortie qui loge la prise de courant est mise à la terre. S'assurer de fixer la patte de mise à la terre (la corne, le crampon ou autre chose semblable rigide et de couleur verte qui sort de l'adaptateur) avec une vis de plaque.

Si le cordon électrique fourni avec le chargeur a une fiche comme illustrée à la figure C, il est destiné à une utilisation sur un circuit nominal de 240 volts (phase unique seulement). Des modifications de la fiche ou l'utilisation d'adaptateurs à d'autres types de fiches doivent se faire conformément aux réglementations locales.

Figure A

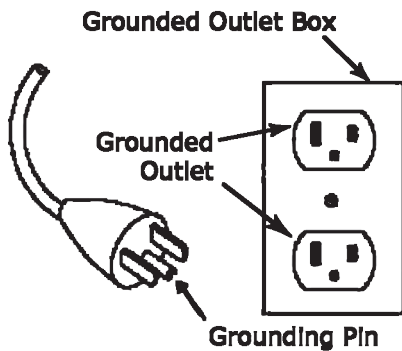
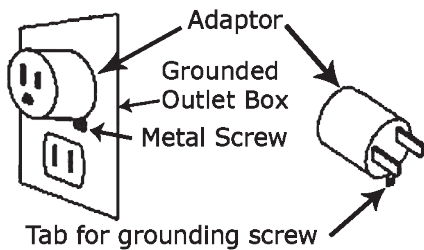
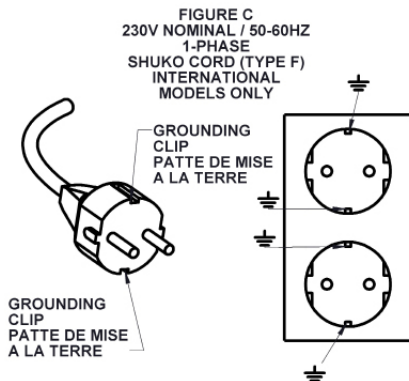


Figure B



**REMARQUE :** au Canada, l'utilisation d'un adaptateur temporaire n'est pas autorisée par le Code canadien de l'électricité, C22.1.



### Instructions de déballage

(voir l'étiquette sur l'emballage)

1. Couper soigneusement les (2) bandes autour de la boîte.
2. Retirer les agrafes et ouvrir les rabats supérieurs.
3. Trouver l'avant de la machine, là où la rampe à palette est fixée à la machine.
4. Retirer les agrafes au bas de la boîte et soulever la boîte de la palette. ATTENTION – Se tenir éloigné de l'avant de la boîte lors du soulèvement de la boîte, car la rampe peut tomber vers l'avant.
5. Plier la rampe vers le bas en s'assurant qu'elle est complètement appuyée et fixée contre le bord de la palette.
6. Retirer les tire-fonds retenant les (2) ancrages de palette à la palette (clé de 7/16 po requise).
7. Retirer toutes les instructions d'opération et les lire.
8. S'assurer que l'interrupteur à clé est en position Arrêt.
9. Ouvrir le compartiment de batterie.
10. Brancher le connecteur de batterie dans le connecteur se trouvant au-dessous du boîtier supérieur, sur les batteries.
11. S'assurer que le disjoncteur (à côté du connecteur

du bloc de batteries) est en position ON (EN MARCHÉ).

12. Mettre l'interrupteur à clé en position marche.
13. En vous assurant que les roulettes sont alignées avec la rampe, conduire lentement la machine vers l'avant et descendre de la palette.
14. Recycler la boîte et la palette.



Recycler l'emballage.

### Inspection des machines

Après le déballage, inspectez la machine pour détecter des dommages ou des composants manquants. Si des dommages sont constatés, contactez la société de transport pour déposer une réclamation de transport.

### Avant la première utilisation

⚠ L'installation des batteries doit être effectuée par un technicien qualifié, selon le diagramme des connexions des batteries sur la machine (consulter la marque n° 2).

- Soulevez le réservoir de récupération (n° 21, figure 1) à l'aide de la sangle (n° 32, figure 4).
- Brancher le connecteur du bloc de batteries (n° 30 figure 4) dans le connecteur correspondant sur la machine.
- S'assurer que le disjoncteur (n° 23 figure 2) est en position ON (EN MARCHÉ).
- Installer le raclor et y connecter le tuyau. Consulter la section INSTALLATION DU RACLOIR.
- Installer les tampons/brosses. Consulter la section INSTALLATION DU TAMPON/DE LA BROSSE.
- Charger les batteries au complet. CONSULTEZ LA SECTION CHARGEUR DE BATTERIE.
- Remarquer que la machine est désactivée lorsque le chargeur de batterie est branché à la prise murale.

### COMPOSANTS DE LA MACHINE

#### Panneau de commande de l'opérateur

Le panneau de commande de l'opérateur est situé dans la partie arrière supérieure de l'arrière de la machine. Ce panneau comprend des composants qui contrôlent diverses fonctions de la machine.

**Wrangler 2012 AB** (voir figure 6):

- L'interrupteur à clé (n° 42) situé à l'arrière du boîtier de commande allume et éteint la machine. La mise sous tension est indiquée lorsque le compteur de batterie (n° 41) est allumé.
- Les poignées de l'opérateur (n° 39) permettent à l'opérateur de contrôler la direction de la machine.
- Le Battery Meter (n° 41) indique l'état de charge des batteries. Des batteries complètement chargées sont indiquées lorsque la barre LED de droite est allumée. La barre LED se déplace vers la gauche lorsque les batteries sont déchargées. Décharge de 70% indiquée par le clignotement de la deuxième barre LED gauche. Décharge de 80% indiquée par le clignotement alterné des deux barres de LED gauche. Le compteur de batterie est équipé d'un relais qui s'ouvrira, éteignant la machine, lorsque la tension de la batterie aura chuté à son niveau le plus bas autorisé.
- Le compteur horaire (n° 41) indique les heures d'utilisation du moteur de brosse. Le compteur horaire n'est pas réinitialisable.
- Le levier de l'interrupteur (n° 40) devant la poi-

gnée de la poignée de commande droite (n ° 39) met en marche le moteur de brosse / tampon et distribue la solution lorsque l'interrupteur du moteur de brosse / tampon (# 24) est activé.

- Le disjoncteur (n ° 36) contrôle le moteur brosse / tampon. Appuyez pour réinitialiser.
- Le disjoncteur (n ° 38) contrôle le moteur à vide. Poussez pour vous reposer.

#### **Panneau de commande gauche** (voir figure 2.)

- L'interrupteur à vide (n ° 23) contrôle le moteur à vide.
- Le commutateur de brosse / patin moteur (n ° 24) contrôle le moteur de brosse / patin.
- Le fusible du chargeur de batterie (n ° 25) doit être en état de marche pour que la machine fonctionne.

#### **Wrangler 2012 DB** (voir figure 5):

- L'interrupteur à clé (n ° 35) situé dans le panneau de commande droit allume et éteint la machine. La mise sous tension est indiquée lorsque le compteur de batterie (n ° 34) au-dessus de l'interrupteur à clé est allumé.
- Le compteur de batterie (n ° 34) indique l'état de charge des batteries pendant le fonctionnement. Lorsque les batteries sont complètement chargées, toutes les LED sont allumées. Lorsque les batteries se déchargent, les LED commencent à s'éteindre, une à la fois, de droite à gauche. Le compteur de batterie est équipé d'un relais qui s'ouvrira, éteignant la machine, lorsque la tension de la batterie est tombée à son niveau le plus bas autorisé. Si la machine fonctionne jusqu'à ce qu'elle s'éteigne automatiquement, désactivez l'interrupteur à clé, l'interrupteur à brosse et l'interrupteur à vide. Ensuite, allumez l'interrupteur à clé et la machine peut être conduite jusqu'à un emplacement de charge.
- Au milieu du panneau de commande se trouvent deux (2) poignées tournantes en caoutchouc (n ° 33). Ces poignées tournent en avant et en arrière pour contrôler la direction et la vitesse de la machine. Plus les poignées sont tournées, plus la machine se déplace rapidement. Ces poignées tournantes ont une fonction qui ramène la machine en position neutre lorsque les poignées sont relâchées.
- Le moteur de brosse / patin s'allume lorsque le commutateur de brosse / patin (n ° 24 Figure 2) est activé et que les poignées tournantes sont tournées dans les deux sens.
- La solution est distribuée lorsque le commutateur brosse / tampon (n ° 24 figure 2) est activé et que les poignées tournantes sont tournées dans les deux sens mais ne contrôlent pas la quantité de solution distribuée.
- Le disjoncteur (n ° 36) contrôle le moteur brosse / patin. Appuyez pour réinitialiser.
- Le disjoncteur (n ° 37) contrôle le contrôleur de moteur d'entraînement et la machine. Appuyez pour réinitialiser.
- Le disjoncteur (n ° 38) contrôle le moteur à vide. Poussez pour vous reposer.

#### **Panneau de commande gauche** (voir figure 2.)

- L'interrupteur à vide (n ° 23) contrôle le moteur à vide
- Le commutateur de brosse / patin moteur (n ° 24) contrôle le moteur de brosse / patin.

- Le fusible du chargeur de batterie (n ° 25) doit être en état de marche pour que la machine fonctionne.

### **Composants de machine courants**

(Voir figures 1,3 et 4)

#### **Réservoir de solution**

- Le réservoir de solution (n ° 18) est la partie inférieure du corps de la machine et a une capacité de (12 gal.) 45 L.
- Le réservoir de solution peut être rempli par l'ouverture de remplissage avant (n ° 28). Soulevez le couvercle pour accéder à l'ouverture. Remplacez le couvercle pour éviter les éclaboussures lorsque la machine se déplace.
- Le réservoir de solution peut être rempli par l'ouverture de remplissage arrière (n ° 3). Soulevez le bouchon pour accéder à l'ouverture. Remplacez le bouchon pour éviter les éclaboussures lorsque la machine se déplace.
- La quantité d'eau dans le réservoir de solution est visible dans le tuyau de jauge et de vidange du site (n ° 17) à l'arrière droit du réservoir. Le réservoir de solution peut également être vidé par ce tuyau.
- Réservoir de récupération
- Le réservoir de récupération (n ° 21) est la partie supérieure du corps de la machine et a une capacité de (14 gal.) 53 L.
- Le réservoir de récupération récupère la solution sale.
- Tuyau de vidange du réservoir de récupération
- Le tuyau de vidange du réservoir de récupération (n ° 19) sert à vidanger le réservoir de récupération. Retirez le tuyau du clip de maintien, pour retirer le bouchon de vidange (n ° 20), poussez-le vers le bas et tournez-le. Videz la solution sale dans un évier ou un drain.
- Couvercle de réservoir de récupération
- Le couvercle du réservoir de récupération (n ° 22) ferme l'ouverture du réservoir de récupération.
- Soulever le couvercle permet d'accéder au piège à débris (n ° 27).
- La levée du couvercle permet d'accéder à l'arrêt du flotteur (n ° 26).

#### **Piège à débris**

- Le piège à débris (n ° 27) recueille les gros débris empêchant les obstructions dans le tuyau de vidange, les éviers et les drains.
- Le bac à déchets est facilement retiré pour être vidé.
- Arrêt du flotteur
- Au fur et à mesure que le niveau de l'eau monte dans le réservoir de récupération, la boule flottante du Float Shut off (n ° 26) monte dans le tube et coupe le flux d'air du vide. REMARQUE: l'ensemble d'arrêt de flotteur ne coupe pas le moteur d'aspiration.
- Le flotteur d'arrêt est amovible pour le nettoyage. NE JAMAIS utiliser la machine sans le flotteur d'arrêt en place.

#### **Vanne de contrôle de solution**

- La vanne de contrôle de solution (n ° 12) est située sur le côté arrière gauche de la machine. Cette valve contrôle la quantité de liquide déposée

sur le sol lors du nettoyage. Tournez la poignée de la valve en position verticale pour fermer la valve. Tournez la vanne à l'horizontale pour un plein débit. Tournez la vanne n'importe où entre les deux pour contrôler le débit.

#### ● Ensemble de filtre de solution

- Un filtre à cartouche (n ° 11), fixé à la vanne de contrôle de solution sous la machine, est conçu pour empêcher les débris de pénétrer dans l'électrovanne de solution.
- Si la solution cesse de s'écouler vers la brosse, fermez la vanne de contrôle de solution et dévissez le bol du réservoir (à la main), retirez et nettoyez le tamis.

#### Compartiment à piles

- Les piles (n ° 29) se trouvent dans le compartiment à piles.
- Pour accéder aux batteries, soulevez la sangle (n ° 32) située sur le côté droit du bac de récupération.
- Le sectionneur de batterie (n ° 30) est situé dans le compartiment à batterie. Le sectionneur de batterie déconnecte les batteries de la machine. TOUJOURS débrancher les batteries avant d'effectuer toute maintenance ou réparation.
- Tuyau de vidange du compartiment des piles
- Le tuyau de vidange du compartiment à piles (n ° 16) se trouve sur le côté gauche du panneau de commande. Les liquides renversés du compartiment des piles s'y accumulent. Une pince de serrage est utilisée pour le maintenir fermé.
- Inspectez le tuyau pour le niveau de liquide sur une base hebdomadaire.
- Éliminez les liquides conformément à vos réglementations locales et fédérales.

#### Moteur de brosse / patin

- La pédale (n ° 6) sur le côté droit de la machine arrière est utilisée pour soulever ou abaisser le moteur de la brosse.
- Le moteur des brosses / patins est équipé de balais en carbone qui doivent être entretenus régulièrement. Les balais de charbon ont une durée de vie prévue de 2 000 heures de fonctionnement. Reportez-vous à la section maintenance plus loin dans ce livre.

#### Levier de pression du moteur de brosse / patin

- Le levier moteur brosse / patin (n ° 4) contrôle la pression exercée sur la brosse / patin au sol.
- Lorsque le moteur de la brosse / patin est au sol et que le levier est en position basse / flottante, c'est le réglage du flotteur. Ce paramètre est le poids du moteur de la brosse / tampon uniquement.
- Lorsque le moteur de la brosse / du patin est au sol, soulevez le levier vers le haut et vers la droite et il s'arrêtera. Il s'agit du réglage de pression élevée.

#### Raclette

- La raclette (n ° 10) est utilisée pour éliminer la solution sale du sol après le brossage.

#### Support / élévation et pédale inférieure de la raclette

- Le racloir (n ° 10) se monte sur le support du racloir (# 9). La raclette est amovible pour le nettoyage et le remplacement de la lame.
- Les boutons du racloir (n ° 8) maintiennent le racloir en place.

- Le tuyau du racloir (n ° 7) transporte la solution sale vers le réservoir de récupération.
- Le support de raclette est également utilisé comme pédale pour soulever et abaisser la raclette vers et depuis le sol.
- Appuyez sur la pédale pour abaisser la raclette au sol et soulevez la pédale avec votre orteil pour soulever la raclette du sol.

#### Levier de verrouillage brosse / patin

- Le levier de verrouillage de la brosse / patin (n ° 15) verrouille la pièce moulée pour faciliter le retrait de la brosse / patin.
- Le levier est situé sur le côté gauche du capot moteur.
- Tirez le levier vers l'avant et tournez la brosse / patin CCW pour le retirer (voir repères n ° 12 et n ° 13).
- REMARQUE: Le levier n'est pas utilisé pour installer la brosse / tampon. Le bâti d'entraînement a un dispositif de certering pour aider à installer la brosse / tampon.

#### Jupe et brosse à jupe

- La jupe (n ° 14) éloigne l'opérateur et les passants des pièces en rotation.
- La brosse à jupe (n ° 13) empêche la solution de jaillir sous la jupe. NE PAS utiliser la machine lorsque la brosse à jupe n'est pas en place.

#### Chargeur de batterie

- Le chargeur de batterie est situé à l'intérieur du panneau arrière.
- Le fonctionnement du chargeur de batterie est visible à travers la fenêtre du chargeur de batterie (n ° 1).
- Le cordon du chargeur de batterie peut être retiré de la machine lorsqu'il est débranché de la prise du chargeur de batterie (n ° 2).
- Le cordon du chargeur de batterie peut être rangé sur la machine à l'aide de l'enrouleur de cordon du chargeur de batterie (n ° 5).

#### Moteur à vide

- Le moteur d'aspiration (n ° 31) est monté sous le réservoir de récupération (supérieur).
- Ce moteur a des balais de charbon qui doivent être entretenus régulièrement. Les balais de charbon ont une durée de vie prévue de 700 heures de fonctionnement.

#### Chargeur de batterie

#### Mode d'emploi du chargeur de batterie - SPE CBHD1-XR-P-24-13

#### INFORMATIONS GÉNÉRALES ET AVERTISSEMENTS

- Lorsque la machine n'est pas fournie avec des batteries installées, le chargeur de batterie est réglé sur la courbe n ° 0 pour les batteries Crown 130AH.
- Lorsque la machine est fournie avec des batteries installées, le chargeur de batterie est réglé par l'usine NSS pour les batteries installées.
- Chargeur de batterie automatique électronique avec microprocesseur adapté à tout type de batterie.
- Tension d'entrée universelle: 100-240 VAC
- Cycle de charge entièrement automatique avec réglages électroniques; protégé contre les sur-



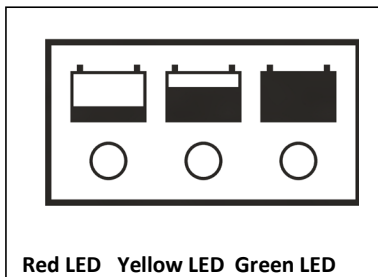
charges, les courts-circuits au niveau des pinces et l'inversion de polarité.

- Avant de commencer à charger, assurez-vous que la tension de l'équipement correspond à la tension de la batterie, que le courant de charge convient à la capacité de la batterie et que la courbe de charge sélectionnée (pour les batteries au plomb ou les batteries au gel hermétiques) est correcte pour le type de batterie à charger. De plus, assurez-vous que la tension d'entrée nominale du chargeur correspond à la tension d'alimentation disponible et que le système est équipé d'une mise à la terre.
- Faites attention aux remarques du fabricant de la batterie.

## PRINCIPE DE FONCTIONNEMENT DU CBHD1-XR-P

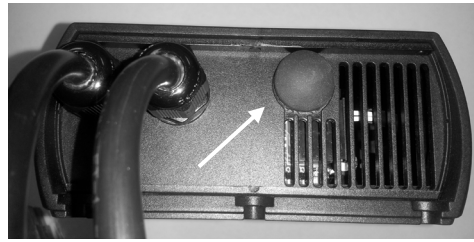
- Lors de la mise sous tension du chargeur de batterie, il affichera la LED rouge ou verte clignotante pendant 5 secondes pendant qu'il vérifie la tension d'entrée AC et la tension de la batterie DC et décide de démarrer ou non le processus de charge. La LED rouge clignotante au démarrage indique l'une des deux courbes de charge WET. La LED verte clignotante au démarrage indique l'une des deux courbes de charge AGM / GEL. Si la batterie n'est pas connectée au chargeur de batterie ou en cas d'anomalie, la LED jaune clignote. Si le résultat est positif après 1 seconde, la charge de la batterie commencera avec la LED rouge allumée. Le relais de sortie se ferme et le courant de la première phase augmente lentement jusqu'à ce que la valeur nominale programmée soit atteinte. Si l'utilisateur déconnecte la batterie du chargeur de batterie pendant la charge, les LED rouge, jaune et verte seront allumées pendant 1 seconde. Après cela, le chargeur de batterie se réinitialise. La progression du processus de charge est indiquée par trois LED: rouge, jaune et verte, typiques de la gamme de produits du chargeur de batterie. La LED verte indique la fin de la charge ou la dernière phase dans le cas d'un processus de charge profonde. Une fois la charge terminée, le relais est ouvert pour se déconnecter.
- INSTRUCTIONS D'UTILISATION
- Branchez le cordon dans une prise.
- La progression du cycle de charge sera indiquée par des indicateurs LED rouge, jaune et vert. A la fin de la charge, lorsque le voyant vert est allumé, débranchez le cordon de la prise et faites fonctionner la machine.

## Étiquette avant sur le chargeur de batterie SPE CBHD1-XR-P



## EMPLACEMENT DU DIPSWITCH CBHD1-XR-P

L'ensemble des commutateurs 4 dip est facile à trouver (situé sous la prise ronde en caoutchouc à côté du cordon d'alimentation) sans ouvrir le chargeur.

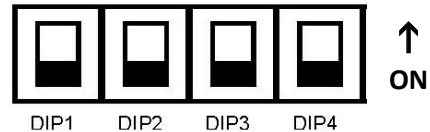


Utilisez un petit tournevis pour déplacer les commutateurs DIP de haut en bas.



## Paramètres DIP du chargeur de batterie

Grâce à l'ensemble de 4 commutateurs DIP, il est possible de modifier la courbe de charge (4 courbes de charge sont disponibles pour les batteries Wet et Gel). L'ensemble des commutateurs 4 dip est facile à trouver (situé sous la prise ronde en caoutchouc à côté du cordon d'alimentation) sans ouvrir le chargeur.



## DIP1 DIP2 pour la sélection de la courbe de charge

DIP 1	DIP 2	DIP 3	DIP 4	CHARGING CURVE
ON	ON	N/A	N/A	0 - Courbe spéciale pour charger les batteries au plomb-acide (humides) CROWN. REGLAGE POUR NSS 2392111 - BATTERIE, HUMIDE 12V, 115 AMP / HR 6393651 - BATTERIE HUMIDE, 12V, 130 AMP / HR
OFF	ON	N/A	N/A	1 - Courbe de charge des batteries AGM SEALED LEAD-ACID avec charge flottante. REGLAGE DE LA BATTERIE AGM NSS 2392731, 12V, 98 AMP / HR, 7696501 BATTERIE AGM, 12V, 110AMP / HR
ON	OFF	N/A	N/A	2 - Courbe de charge des batteries au plomb-acide scellées au GEL.
OFF	OFF	N/A	N/A	3 - Batteries humides avec flotteur, finition 3,5A.
N / A - LES RÉGLAGES DU COMMUTATEUR DIP POUR DIP3 ET DIP4 N'AFECTENT PAS LA COURBE DE CHARGE				

## Voyants DEL du chargeur de batterie

Le tableau suivant détaille le fonctionnement des trois DEL du chargeur de batterie CBHD1-XR-P.

SIGNAL (LED)	SENS
LED rouge allumée	Première et / ou deuxième phase de charge en cours
LED jaune allumée	Deuxième ou troisième phase de charge en cours
LED verte allumée	Fin de charge ou phase de maintenance
<b>PROBLÈMES</b>	<b>SOLUTIONS ET CONTRÔLES</b>
Le chargeur de batterie ne s'allume pas	Vérifiez que la fiche est branchée sur le secteur et que le disjoncteur est efficace.
Le cycle de charge ne démarre pas.	Vérifiez la connexion à la batterie et la polarité.
L'indicateur LED jaune clignotant	Batterie inadaptée (tension de la batterie inférieure à 4,0 volts ou supérieure à 3,0 volts par cellule) ou batterie non connectée ou court-circuit de sortie.
LED rouge et jaune clignotant	Tension de la batterie supérieure à 4,0 Volts mais inférieure à 1,4 Volts par cellule
LED rouge et verte allumées ou clignotantes continuellement	Erreur de surchauffe interne (le chargeur reste allumé avec un courant de sortie = 0,0A jusqu'à ce que la température soit OK. Ensuite, il redémarre le processus de charge (reset).
LED rouge clignotant	Minuterie de sécurité dépassée. Court-circuit interne (surintensité de sortie)
LED rouge, jaune et verte clignotant toutes les secondes	Tous les paramètres du profil de charge ne sont pas programmés dans l'EEPROM du chargeur.
LED rouge, jaune et verte clignotant en continu	Les paramètres du profil de charge du profil de charge sélectionné ne sont pas programmés sur l'EEPROM du chargeur ou le profil de charge n'est pas actif.



**AVERTISSEMENT** - N'utilisez pas le chargeur si les paramètres ne correspondent pas au type et à la taille de batterie installés dans la machine. APPEL AU SERVICE

Réglage du chargeur de batterie

Le chargeur de batterie doit être retiré de la machine pour modifier les paramètres. Les paramètres doivent être modifiés par un technicien qualifié.



**AVERTISSEMENT** - Lors du remplacement des batteries fournies par NSS ou de l'installation de batteries achetées auprès d'une autre source, le chargeur de batterie doit être réglé sur la courbe et le courant de charge appropriés pour les batteries installées.

Ne jetez pas les piles avec les déchets ordinaires.

## Mode d'emploi

Voir la section Commandes pour une description des composants de commande de la machine.



**AVERTISSEMENT** - Pour éviter toute utilisation non autorisée de la machine, éteignez toujours l'interrupteur à clé et retirez la clé lorsque la machine doit être laissée sans surveillance.



### DANGER

Risque de basculement de la machine si la pente dépasse 9%. Sur les pentes supérieures à 2%, toujours avancer ou reculer parallèlement à la pente.

Risque de basculement sur un sol instable - utiliser uniquement sur des surfaces lisses.

Risque de glisser sur des sols humides - se déplacer lentement dans des conditions glissantes.

Wrangler 2012, DB - POUR ARRÊTER RAPIDEMENT LA MACHINE, LIBÉRER LES POIGNÉES TWIST. Les poignées tournantes reviennent automatiquement en position neutre et arrêtent la machine.

### Installation de la raclette

Voir figure 1.

- Desserrez les boutons du racloir (n° 8).
- Glissez la raclette (n° 10) sur le support de la raclette (n° 9) derrière la machine et serrez les boutons.
- Poussez le tuyau du racloir (n° 7) sur le racloir.

### Installation de tampon / brosse



**AVERTISSEMENT** - Assurez-vous que la Scrub Deck est en place et que l'interrupteur à clé est sur OFF.

Voir figure 1.

- Utilisez la pédale de brosse (n° 6) pour soulever la jupe du plateau de récurage (n° 14).
- Faites glisser le pilote de brosse / tampon sous le pont.
- Le moulage d'entraînement a un dispositif de centrage. Soulevez le pilote de brosse / tampon et localisez le centre avec la pièce moulée d'entraînement.
- Tournez le pilote de brosse / tampon CW jusqu'à ce qu'il s'arrête.

### Filling the Clean Water Tank



### AVERTISSEMENTS

N'utilisez pas de liquides inflammables.

N'utilisez jamais d'eau à plus de 60 ° C (140 ° F).

Utilisez uniquement des détergents de nettoyage exempts de solvants, d'acide chlorhydrique et d'acide fluorhydrique.

Suivez les consignes de sécurité fournies avec les détergents de nettoyage.

Suivez les instructions du fabricant du détergent concernant l'équipement de protection individuelle.

N'utilisez pas de détergents hautement moussants.

Voir les figures 1 et 4.

- Retirez le couvercle d'eau propre (n° 28) (avant) ou le bouchon (n° 3) (arrière) du réservoir de solution (n° 18).
- Remplissez d'eau jusqu'au niveau souhaité. NE

laissez PAS la machine sans surveillance lors du remplissage.

- Un indicateur de niveau d'eau est situé à l'arrière de la machine.
- Versez le détergent si désiré selon les instructions du fabricant du détergent.
- Essuyez l'eau renversée / le détergent des surfaces de la machine.
- Remettez le couvercle (avant) et / ou la fiche (arrière).

### Opération de nettoyage de base

- Balayer et épousseter le sol pour enlever la saleté et les débris avant de frotter. Les accumulations de saleté ou de débris sur le sol réduiront les performances de nettoyage.
- Vous devrez peut-être également pré-nettoyer certains types de déversements ou de taches avant de les frotter.
- Planifiez votre travail de manière à créer des chemins longs et droits avec le moins de tours possible, en chevauchant chaque chemin de nettoyage d'environ 2 pouces (5 cm) pour éviter les rayures et les zones sales.
- Déplacez la machine dans la zone à nettoyer.
- Réglez la vanne de débit de solution sur le débit souhaité.
- Abaissez la tête de brosse / tampon au sol.
- Vendez la pression de tampon souhaitée.
- Abaissez la raclette au sol.
- Allumez l'interrupteur à brosse.
- Wrangler 2012 DB - Le moteur de brosse / patin et la solution démarrent lorsque les poignées tournantes sont activées et que la machine commence à bouger.
- Wrangler 2012 AB - Le moteur de brosse / patin et la solution démarrent lorsque l'interrupteur de levier de brosse / patin est activé. Donnez un coup de pouce à la machine pour la faire bouger.
- Allumez l'interrupteur du moteur d'aspiration. Le moteur d'aspiration démarre sans déplacer la machine.
- Nettoyez la zone souhaitée.
- Lorsque la zone est nettoyée, amenez la machine à un drain d'élimination approuvé et fermez tous les interrupteurs.
- Retirez le tuyau de vidange de sa prise à l'arrière de la machine. Soulever l'extrémité du tuyau au-dessus du niveau du réservoir de récupération, desserrer et retirer le bouchon de vidange du tuyau. Dirigez soigneusement le tuyau de vidange dans le drain.
- Videz le réservoir de récupération jusqu'à ce qu'il soit vide. S'il reste de la solution sale, soulevez le réservoir de récupération en achetant sa sangle, la solution sale restante s'écoulera. Remettez en place et serrez le bouchon de vidange. Remplacez le tuyau de vidange dans son clip de maintien.

### Maintenance utilisateur



**ATTENTION** - Ne vaporisez pas d'eau à haute pression sur aucune partie de cette machine. Essuyez toujours toutes les surfaces avec un chiffon propre.

Chaque jour, videz tous les liquides des réservoirs de solution et de récupération et laissez sécher à l'air pour éviter les odeurs.

### Vidange du réservoir d'eau propre

Ne laissez pas le mélange de détergent dans le réservoir pendant plus de 24 heures. Le colmatage de la crépine et des conduites peut en résulter.

Voir les figures 1 et 2.

- Retirez le tuyau de racloir (n ° 7) du racloir.
- Activez l'interrupteur du moteur d'aspiration (n ° 23).

- Retirez le tuyau de vidange du réservoir de solution (n ° 17).
- Placer le tuyau de vidange de solution dans le tuyau d'aspiration et retirer la solution du réservoir de solution au réservoir de récupération.

### Vidange / nettoyage du réservoir de récupération Egoutter et nettoyer après chaque utilisation.

Voir les figures 1 et 3.

- Retirez le tuyau de vidange (n ° 19) du clip de maintien à l'arrière de la machine.
- Retirez le bouchon de vidange (n ° 20) en le tournant dans le sens antihoraire.
- Vidangez l'eau sale dans la zone de drainage appropriée.
- Ouvrez le couvercle du réservoir de récupération (n ° 22).
- Retirez et nettoyez le piège à débris (n ° 27).
- Retirez et nettoyez le flotteur (n ° 26).
- Rincez le réservoir de récupération (n ° 21). Soulevez le réservoir de récupération en achetant sa sangle, l'eau restante s'écoulera.
- Installez le bouchon du tuyau de vidange et remettez le tuyau de vidange dans son clip de maintien.

### Entretien du filtre à eau propre

Nettoyez le filtre chaque semaine.

Voir figure 1.

- Fermez la vanne d'eau propre n ° 12.
- Dévissez la cartouche du filtre à eau propre n ° 11.
- Retirez et nettoyez l'écran.
- Remettez l'écran dans la cartouche.
- Revissez la cartouche en place.
- Ouvrez la vanne d'eau propre n ° 12.

### Entretien de la raclette

Nettoyez la raclette et inspectez les lames quotidiennement.

Voir figure 1

- Retirez la raclette (n ° 10) du support de la raclette (n ° 9).
- Placez la raclette à l'envers sur le sol ou le banc.
- Relâchez la pince de maintien de la lame.
- Retirez les lames, nettoyez, inspectez pour l'usure, tournez ou remplacez si nécessaire.
- Remettez les lames dans le racloir, avec des quantités égales de lames suspendues au-delà des deux extrémités du boîtier du racloir.
- Remplacez la pince de maintien de lame.
- Tirez légèrement sur l'extrémité droite de la lame arrière et verrouillez la pince.

### Réglage de la pince de maintien de lame

Si les lames du racloir sont retirées du boîtier pendant l'utilisation:

- Desserrez le contre-écrou sur la tige de la pince.
- Tournez la tige pour raccourcir son réglage.
- Serrez le contre-écrou et reprenez le nettoyage.
- Répétez les étapes ci-dessus au besoin jusqu'à ce que les lames restent en place.

### Tampons / Brosses

Inspectez quotidiennement les tampons / brosses. Remplacez si nécessaire.

## Vidange du compartiment des piles



**ATTENTION** - Récupérez et jetez l'acide de la batterie conformément aux réglementations locales.

Voir figure 1.

- Videz le compartiment des piles chaque semaine.
- Une fois la maintenance utilisateur terminée, désactivez l'interrupteur à clé et chargez les batteries.

## Entretien de la batterie

Chargez les batteries après chaque utilisation. **ATTENTION: DIFFÉRENTS TYPES DE BATTERIES ONT DES EXIGENCES DE CHARGE DIFFÉRENTES. LE NON-IDENTIFICATION CORRECTE DE VOTRE TYPE DE BATTERIE ET LE RÉGLAGE DU CHARGEUR EN CONSÉQUENT, ENDOMMAGERA LA BATTERIE ET ANNULERA LA GARANTIE.**

Le chargeur de batterie est entièrement automatique. Branchez simplement le chargeur dans une prise murale appropriée et le chargeur chargera les batteries. La LED verte de batterie pleine sera allumée en continu lorsque le cycle de charge est terminé. Un bruit de bouillonnement ou d'ébullition provenant des batteries au cours des dernières heures de charge est normal. Les piles peuvent être chaudes, mais pas trop chaudes au toucher.

## Égalisation des batteries (inondées uniquement)

Les batteries doivent être égalisées une fois tous les 30 jours pour une autonomie et une durée de vie maximales.

Pour égaliser les batteries:

- Branchez le chargeur et chargez complètement les batteries (jusqu'à ce que la LED verte reste allumée).
- Débranchez le chargeur de la prise murale, puis rebranchez-le.
- Le chargeur fonctionnera pendant environ 2 heures, en maintenant les batteries à une tension constante et en égalisant chaque cellule.

## À faire et à ne pas faire avec la batterie:

- Il n'est pas nécessaire de décharger complètement les batteries avant de les charger. Ils n'ont pas de «mémoire».
- Branchez le chargeur à tout moment lorsque la machine n'est pas utilisée.
- NE JAMAIS laisser le niveau d'électrolyte descendre sous le dessus des plaques (batteries à cellules inondées). Cela endommagerait vos batteries presque immédiatement et annulerait la garantie des batteries. Ils peuvent dire si cela s'est produit.
- NE JAMAIS remplir les piles avec de l'eau de puits ou du robinet (piles à cellules inondées).
- NE JAMAIS trop remplir les piles (piles à cellules inondées).
- NE JAMAIS laisser les batteries déchargées pendant la nuit (ou entre les quarts de travail).
- TOUJOURS vérifier le niveau d'électrolyte tous les 3 ou 4 cycles de charge / décharge AVANT LA CHARGE.
- TOUJOURS remplir les batteries avec de l'eau distillée (si nécessaire) APRES LA CHARGE.
- TOUJOURS recharger complètement les batteries après utilisation (jusqu'à ce que la LED verte s'allume).
- TOUJOURS égaliser les batteries (inondées uniquement) tous les 30 jours.

## Charge d'opportunité

La charge d'opportunité consiste à charger les batteries lorsqu'une opportunité se présente, comme pendant les pauses, et se fait en plus d'un cycle de charge complet.

Une charge occasionnelle est recommandée, car ce temps de charge supplémentaire contribuera à augmenter la tension de fonctionnement des batteries et à garantir une autonomie et une durée de vie maximales. Lorsque l'occasion se charge, égalisez chaque semaine.

## Maintenance mensuelle (ou toutes les 100 heures)

- Nettoyez les bornes de la batterie.
- Nettoyez le joint entre le couvercle et le réservoir de récupération.

## Instructions de lavage



**ATTENTION** - NE PAS VAPORISER D'EAU SUR UNE PARTIE DE CETTE MACHINE, LES COMPOSANTS DE LA MACHINE POURRAIENT ÊTRE ENDOMMAGÉS.

- Essuyez la surface extérieure de la machine avec un chiffon humide.

**Toutes les autres réparations doivent être effectuées par un représentant de service NSS agréé.**

## Entretien périodique obligatoire


Il est obligatoire que la procédure de maintenance suivante soit effectuée à l'intervalle décrit. Le non-respect de cette procédure peut entraîner de mauvaises performances de la machine, des dommages aux composants et une défaillance. Cette procédure doit être effectuée par un distributeur ou un centre de service agréé NSS. Les réparations non effectuées par une entreprise non autorisée annuleront la garantie de la machine. Si vous avez besoin d'aide pour trouver un centre de service agréé, contactez NSS Entreprises.

- Toutes les 450 à 500 heures de fonctionnement, vous devez inspecter l'usure des balais de charbon du moteur à vide. Remplacez les balais de charbon du moteur d'aspiration lorsqu'ils mesurent (7/16 po) 11 mm de longueur.
- Après toutes les 650-700 heures de fonctionnement, vous devez inspecter les balais de charbon de la brosse pour détecter l'usure. Remplacez les balais de charbon du moteur de la brosse lorsqu'ils mesurent (1/2 po) 13 mm de longueur.
- Wrangler 2012 DB uniquement - Après toutes les 650 à 700 heures de fonctionnement, vous devez inspecter l'usure des balais de charbon du moteur d'entraînement (boîte-pont). Remplacez les balais de charbon du moteur d'entraînement (boîte-pont) lorsqu'ils mesurent (3/8 po) 9 mm de longueur.






## Dépannage

Problème	Cause	Solution
La machine ne s'active pas	<ul style="list-style-type: none"> <li>-Le bloc de batteries n'est pas connecté.</li> <li>-Le chargeur de batteries est en marche.</li> <li>-Les batteries ont perdu leur charge.</li> <li>-Le disjoncteur est déclenché.</li> </ul>	<ul style="list-style-type: none"> <li>-Connecter le bloc de batteries.</li> <li>-Débrancher le chargeur.</li> <li>-Charger les batteries.</li> <li>-Réinitialiser le disjoncteur.</li> </ul>
La machine ne ramasse pas l'eau	<ul style="list-style-type: none"> <li>-Le réservoir de récupération est plein.</li> <li>-Le flotteur à boule est coincé.</li> <li>-Le tuyau du racloir ou le tube vertical est bouché.</li> <li>-Le tuyau du racloir n'est pas connecté.</li> <li>-Les lames du racloir sont usées.</li> <li>-Les lames du racloir sont lâches.</li> <li>-Le tuyau du racloir est percé.</li> <li>-Le fusible du moteur de l'aspirateur est brûlé.</li> <li>-Les articulations du racloir sont endommagées.</li> </ul>	<ul style="list-style-type: none"> <li>-Vidanger le réservoir de récupération.</li> <li>-Nettoyer le tamis et la boule du flotteur.</li> <li>-Nettoyer le tuyau du racloir et le tube vertical.</li> <li>-Connecter le tuyau du racloir.</li> <li>-Tourner ou remplacer les lames.</li> <li>-Ajuster le loquet sur la pince de serrage.</li> <li>-Replacer le tuyau du racloir.</li> <li>-Appeler pour obtenir du service.</li> <li>-Appeler pour obtenir du service.</li> </ul>
Aucun débit d'eau	<ul style="list-style-type: none"> <li>-Le filtre d'eau propre est bloqué.</li> <li>-La vanne d'eau est fermée.</li> <li>-Le fusible de la pompe d'eau est brûlé.</li> </ul>	<ul style="list-style-type: none"> <li>-Nettoyer le filtre/tamis.</li> <li>-Ouvrir la vanne</li> <li>-Appeler pour obtenir du service.</li> </ul>
L'eau coule sur le plancher lorsque la machine est désactivée	<ul style="list-style-type: none"> <li>-La vanne de distribution est sale ou endommagée.</li> </ul>	<ul style="list-style-type: none"> <li>-Appeler pour obtenir du service.</li> </ul>
Le temps de fonctionnement est plus court que lorsque la machine était neuve	<ul style="list-style-type: none"> <li>-Les batteries sont endommagées en raison d'électrolytes faibles.</li> <li>-Les bornes des batteries sont sales.</li> <li>-Les batteries ne sont pas entièrement chargées.</li> <li>-Les batteries sont usées.</li> </ul>	<ul style="list-style-type: none"> <li>-Remplir chaque cellule d'eau distillée, charger et vérifier s'il y a amélioration.</li> <li>-Nettoyer les bornes.</li> <li>-Laisser le chargeur terminer la charge avant de le débrancher.</li> <li>-Remplacer les batteries.</li> </ul>
Nettoyage inégal	<ul style="list-style-type: none"> <li>-Les tampons/brosses sont usés.</li> <li>-La plateforme de récurage ou les articulations sont endommagées.</li> </ul>	<ul style="list-style-type: none"> <li>-Remplacer les tampons/brosses.</li> <li>-Appeler pour obtenir du service.</li> </ul>

## Spécifications de performance

		Wrangler 2012 AB	Wrangler 2012 DB
Voie de nettoyage	mm (po)	508 (20)	
Diamètre du tampon/de la brosse	mm (po)	508 (20)	
Largeur du racloir	mm (po)	825,5 (32,5)	
Capacité en eau propre	l (gal)	45 (12)	
Capacité du réservoir de récupération	l (gal)	53 (14)	
Force descendante de la plateforme de récurage	kg (lb)	20 (45) 27 (60)	
Vitesse du tampon/de la brosse		150	
Débit de la solution Taux	l/min (gal/min)	0 - 2.2 (0 - .6)	
Aspiration de récupération	kPa (po H2O)	11,5 (46)	
Débit d'air de récupération	l/s (pi³/min)	32 (68)	
Largeur min. pour demi-tour dans une allée	mm (po)	1372 (54)	
Max. Vitesse	km/h (mi/h)	N/A	Vers l'avant 3,7 (2,3) Rapide 2,25 (1,4)
Pente maximale pour le fonctionnement	%	2	9
Temps de fonctionnement	h	110 Ah AGM: 2,7 130 Ah WET: 3,0	
Puissance du moteur de la brosse	W (hp)	380 (0,51)	
Puissance du moteur d'aspiration	W (hp)	380 (0,51)	

## Spécifications techniques

		Wrangler 2012 AB	Wrangler 2012 DB
Largeur (sauf le racloir)	mm (po)	559 (22)	
Hauteur	mm (po)	1067 (42)	
Longueur	mm (po)	1321 (52)	
 PBV	kg (lb)	235 (518)	212 (468)
 VIDE	kg (lb)	144 (318)	167 (368)
 TRANSPORT	kg (lb)	167 (368)	190 (418)
	°C (°F)	5-45 (40-113)	
Protection Capacité		IPx2	
	V	24 ---	
Puissance nominale	W	840	
Puissance du moteur de la brosse	W (hp)	380 (0,51)	
Puissance du moteur d'aspiration	W (hp)	380 (0,51)	
EN/UL 60335-2-72			
Niveau de pression acoustique $L_{pA}$	dB(A)	$\leq 62$	
Niveau de puissance acoustique $L_{WA}+K_{WA}$	dB(A)	77	
Vibration – corps entier	m/s <sup>2</sup>	$\leq 1$	

## Batteries

Batteries	Qté	Volts	Ah (20 h)
Batterie standard	2	12	130
Max. Batterie	2	12	110
Dimensions du compartiment de batterie longueur x largeur x hauteur mm (po)	329 x 181 x 283 (12.96 x 7.13 x 11.13)		

## Chargeur de batterie

Fonctionnalité	Capacité
Tensions d'entrée	100/240 V 50 à 60 Hz 4.5 A max
Tensions de sortie	24V c. c., 13A
Qtée de courbes de charge	4
Sélection de courbe	Sélection du commutateur DIP
Réglementaire	Rapport cULus, CE, CEC

## Espace de rangement

### PROTÉGER DE LA CONGÉLATION

Entreposez la machine à l'intérieur - 5 ° - 40 ° C (40 ° - 104 ° F).

## Mise au rebut

- Contactez un prestataire de service de mise au rebut qualifié pour éliminer la machine.
- Assurez-vous que les matériaux suivants sont mis au rebut conformément aux lois en vigueur:
  - Batteries.
  - Composants contenant du plastique.
  - Composants électriques et électroniques.

## Wrangler 2012 AB & DB

### Composants de machine courants

Voir les figures 1, 2, 3 et 4.

1. Fenêtre du chargeur de batterie. Permet à l'opérateur de visualiser le fonctionnement du chargeur de batterie.
2. Chargeur de batterie réceptif.
3. Port de remplissage de solution à l'arrière de la machine.
4. Levier de pression du moteur de brosse / tampon.
5. Enroulement du cordon du chargeur de batterie
6. Pédale de brosse pour soulever et abaisser le moteur de brosse / tampon.
7. Tuyau d'aspiration.
8. Bouton de raclette.
9. Pédale pour élever et abaisser la raclette. Support de raclette.
10. Raclette.
11. Filtre de solution.
12. Valve de solution.
13. Brosse à jupe.
14. Jupe.
15. Levier de verrouillage du moteur de la brosse pour

retirer la brosse / le tampon.

16. Tuyau de vidange du compartiment des piles.
17. Jauge de site du réservoir de solution et tuyau de vidange.
18. Réservoir de solution.
19. Tuyau de vidange du réservoir de récupération.
20. Bouchon de vidange du réservoir de récupération.
21. Réservoir de récupération.
22. Couvercle du réservoir de récupération.
23. Interrupteur du moteur à vide.
24. Commutateur moteur brosse / tampon.
25. Fusible du chargeur de batterie.
26. Arrêt du flotteur du réservoir de récupération.
27. Piège à débris.
28. Ouverture et couvercle de remplissage avant du réservoir de solution.
29. Compartiment à piles et piles.
30. Connecteur de batterie.
31. Moteur à vide.
32. Poignée / sangle de levage du réservoir de récupération.

### Composants de commande de machine

#### Wrangler 2012 DB (Voir figure 5)

33. Poignées à poignée tournante. Contrôle la direction et la vitesse de la machine.
34. Compteur de batterie. Indique l'état / la charge des batteries.
35. Interrupteur à clé. Permet le fonctionnement de la machine.
36. Disjoncteur à balais.
37. Disjoncteur du moteur du contrôleur et du pilote.
38. Disjoncteur du moteur à vide.

#### Wrangler 2012 AB (Voir figure 6)

36. Disjoncteur à balais.
38. Disjoncteur du moteur à vide.
39. Poignées de commande.
40. Levier de commutation brosse / patin. Active / désactive le moteur de la brosse / tampon et la vanne de solution.
41. Batterie / compteur d'heures. Indique l'état / la charge des batteries et l'heure à laquelle le moteur de la brosse / du tampon est activé.
42. Interrupteur à clé. Permet le fonctionnement de la machine.





## EC DECLARATION OF CONFORMITY



(FR) DECLARATION DE CONFORMITÉ (ES) DECLARACIÓN DE CONFORMIDAD (DE) KONFORMITÄTSERKLÄRUNG (NL) VERKLARING VAN OVEREENSTEMMING (P) DECLARAÇÃO DE CONFORMIDADE (SV) DEKLARATION OM ÖVERENSSTÄMMELSE (DK) OVERENSSTÆMMESESRKLÆRING (N) KONFORMITETSERKLÆRING (FIN) VAATIMUSTENMUKAISUUSVAKUUTUS (GR) ΔΗΛΩΣΗ ΕΝΑΡΜΟΝΙΣΗΣ

NSS ENTERPRISES, INC 3115 FRENCHMENS ROAD TOLEDO OHIO U.S.A. 43607 - 2958 PHONE 419/531-2121

Authorized Technical Documentation Representative: Mark Bevington, NSS ENTERPRISES, INC. Unit 7 Pinfold Business Park, 55 Nottingham Road, Stapleford, Nottingham, NG9 8AD

MACHINE/MACCHINA/MAQUINA/BEZEICHNUNG DER MASCHINE/MAQUINA/MASKIN/KONE/ MASKINE/MHXANH:  
**SCRUBBER-DRYER**

TYPE/TIPO/MASCHINENTYP/TYYPPI/ ΤΥΠΟΣ: **Wrangler 2012 AB, Wrangler 2012 DB**

(EN) NSS ENTERPRISES, INC. declares that the machine specified above fulfills all relevant provisions of the following Directives and Standards:

(IT) NSS Enterprises, Inc. Dichiaro che il macchinario di cui sopra soddisfa tutte le pertinenti disposizioni delle seguenti direttive e standard:

(FR) NSS ENTREPRISES, INC déclare que la machine indiquée ci-dessus satisfait à toutes les dispositions pertinentes des directives et des normes suivantes :

(ES) NSS ENTERPRISES, Inc. Declara que el equipo especificado anteriormente cumple con todas las disposiciones pertinentes de las directivas y normas siguientes:

(DE) NSS ENTERPRISES, INC erklärt, dass die Maschine oben angegebenen alle einschlägigen Bestimmungen der folgenden Richtlinien und Normen erfüllt:

(NL) NSS Enterprises, Inc verklaart dat de machine hierboven aangegeven alle relevante bepalingen van de volgende richtlijnen en normen voldoet:

(PT) NSS ENTERPRISES, INC declara que a máquina especificada acima cumpre todas as disposições pertinentes das directivas e padrões a seguir:

(SW) NSS Enterprises, Inc. Intygat att maskinen anges ovan uppfyller alla relevanta bestämmelser i följande direktiv och standarder:

(FI) NSS Enterprises, Inc. Vakuuttaa, että laite edellä täyttää kaikki asiaankuuluvat määräykset seuraavien direktiivien ja standardien:

(DK) NSS Enterprises, Inc. Erklærer, at maskinen er angivet ovenfor opfylder alle relevante bestemmelser i følgende direktiver og standarder:

(NO) NSS Enterprises, Inc. erklærer at maskinen er angitt ovenfor oppfylder alle relevante bestemmelser i følgende direktiver og standarder:

(GR) NSS Enterprises, Inc δηλώνει ότι η μηχανή που περιγράφεται ανωτέρω πληροί όλες τις σχετικές διατάξεις των ακόλουθων οδηγιών και προτύπων:

EU Directives/directive UE/directives de l'UE/Directivas de la UE/EU-Richtlinien/EU-richtlijnen/directivas da UE/EU-direktiv/EU-direktiivit/EU-direktiver/EU-direktiver/οδηγίες της Ε.Ε.:

**2006/42/EC Machinery Directive 2014/30/EU EMC Directive 2002/44/EC Vibration Directive**

Harmonized Standards/ Standard armonizzati/ normas armonizadas/ Normas armonizadas/ Harmonisierte Normen/ geharmoniseerde normen/ normas armonizadas/ harmoniserade standarder/ yhdenmukaistettujen standardien/ harmoniserede standarder/ harmoniserte standarder/ εναρμονισμένα Πρότυπα:

**EN12100-1, EN12100-2, ISO11201, EN55012, IEC61000-6-2, EN60335-2-72, ISO2631-1, ISO5349-1/-2, EN62233**

This declaration shall cease to be valid if modifications are made to the machine without our approval./ Questa dichiarazione non è più valida in caso di modifiche apportate alla macchina senza il nostro consenso./ Cette déclaration cessera d'être valable si des modifications sont apportées à la machine sans notre accord./ Esta declaración dejará de ser válida si se realizan modificaciones en la máquina sin nuestra aprobación./ Diese Erklärung gilt nicht mehr gültig sein, wenn Änderungen an der Maschine ohne unsere Zustimmung vorgenommen werden./ Deze verklaring verliest haar geldigheid wanneer wijzigingen worden aangebracht aan de machine zonder onze goedkeuring./ Esta declaração deixará de ser válido se as modificações são feitas para o aparelho sem a nossa aprovação./ Denna förklaring skall upphöra att gälla om ändringar görs på maskinen utan vårt godkännande./ Tämä ilmoitus lakkaa olemasta voimassa, jos tehdään muutoksia koneeseen ilman meidän hyväksyntää./ Denne erklæring ophører med at være gyldige, hvis der foretages ændringer på maskinen uden vores godkendelse./ Denne erklæringen skal opphøre å være gyldig dersom modifikasjoner på maskinen uten vårt samtykke./ Η δήλωση αυτή παύει να ισχύει, αν έχουν γίνει τροποποιήσεις στο μηχανήμα χωρίς την έγκρισή μας.

It is ensured through internal measures that series-production units conform at all times to the requirements of current EU Directives and relevant standards./ Si è assicurata da misure interne che serie unità di produzione sono conformi in ogni momento alle esigenze delle attuali direttive CE e alle normative applicate./ Elle est assurée par des mesures internes que les séries unités de production sont conformes en tout temps aux exigences des directives européennes et les normes actuelles pertinentes./ Se garantiza a través de medidas internas que las unidades de producción en serie ajustarse en todo momento a las necesidades de las actuales directivas de la UE y las normas pertinentes./ Es ist durch interne Maßnahmen, die Serien-Geräte entsprechen jederzeit den Anforderungen der aktuellen EU-Richtlinien und den angewandten Normen entsprechen./ Het wordt gewaarborgd door interne maatregelen die serie-productie-eenheden te allen tijde te voldoen aan de eisen van de huidige EU-richtlijnen en relevante normen./ É assegurado através de medidas internas que as unidades de produção em série conformam em todos os momentos com os requisitos das Directivas actuais da UE e padrões relevantes./ Det säkerställs genom interna åtgärder som serietillverkade enheterna överensstämmer alltid med kraven i gällande EU-direktiv och relevanta standarder./ Se on varmistettu sisäisiä toimenpiteitä että sarjatuotantoyksiköt täyttävät aina vaatimuksiin nykyisten EU-direktiivien ja asiaankuuluvien standardien./ Det sikres gjennom interne foranstaltninger, som serie-produksjonsheder opfylder til enhver tid til kravene i de nåværende EU-direktiver og relevante standarder./ Det er sikret gjennom interne tiltak som serieproduserte enhetene samsvarer til enhver tid til kravene i gjeldende EU-direktiver og relevante standarder./ Διασφαλίζεται μέσω εσωτερικών μέτρων που μαζικής παραγωγής μονάδες συμμορφώνονται ανά πάσα στιγμή με τις απαιτήσεις των ισχυουσών οδηγιών της ΕΕ και των σχετικών προτύπων.

Toledo, Ohio USA 07-2017

President, NSS ENTERPRISES, Inc.

Mark J. Bevington

## ESPAÑOL

### INSTRUCCIONES DE SEGURIDAD IMPORTANTES



**ADVERTENCIA** Lea estas instrucciones originales antes de usar el aparato o la máquina por primera vez.

#### Instrucciones de seguridad

Se aprobó el uso de este aparato en superficies con pendientes de hasta 9 %.

#### Equipo de seguridad

Este aparato cuenta con dispositivos para proteger al usuario y no se deben dejar de lado ni ignorar.

#### Símbolos que se utilizan en estas instrucciones



**PELIGRO:** Peligro inmediato que puede ocasionar alguna lesión grave o incluso la muerte



**ADVERTENCIA:** Posible peligro que podría resultar en alguna lesión grave o incluso la muerte



**PRECAUCIÓN:** Posible peligro que podría resultar en alguna lesión leve o daño a la propiedad



Peligro de descarga eléctrica



Lea el manual del operador.



No se permite fumar, tener llamas abiertas o producir chispas cerca de las baterías.



Baterías: ácido y gas de hidrógeno



Veneno Ocasiona quemaduras graves. Evite el contacto.



Recicle el empaque.



Deseche el equipo mediante sistemas de recolección apropiados.

#### Uso previsto

El Wrangler 2012 AB y el Wrangler 2012 DB están destinados para uso comercial, para la limpieza húmeda de pisos nivelados en un ambiente interior, por ejemplo en hoteles, escuelas, hospitales, fábricas, tiendas, oficinas y negocios de alquiler.

#### Instrucciones de seguridad importantes

TODOS LOS SERVICIOS DE REPARACIÓN DEBE REALIZARLOS UN DISTRIBUIDOR AUTORIZADO DE NSS O UNA ESTACIÓN DE MANTENIMIENTO QUE USE SOLO PIEZAS DEL EQUIPO ORIGINALES DE NSS.



#### Use este aparato solo como se indica en estas instrucciones de funcionamiento.

- Esta máquina no está prevista para que la usen personas (incluso niños) con capacidades mentales, sensoriales o físicas reducidas, o con falta de experiencia o de conocimientos.
- Se debe supervisar a los niños para asegurar de que no jueguen con el aparato.
- ADVERTENCIA** Los operadores deberán recibir instrucción adecuada acerca del uso de esta máquina.
- Esta máquina solo se deberá usar para la limpieza de superficies duras que no sean sensibles a la humedad o a las operaciones de pulido.
- PRECAUCIÓN:** Esta máquina es solo para uso en interiores.
- PRECAUCIÓN:** Esta máquina se deberá guardar en un lugar cerrado, seco y fresco.
- PRECAUCIÓN:** Apague el interruptor de llave antes de cambiar los discos o cepillos.
- Rango de temperatura de funcionamiento: (40 a 113 °F) 5 a 40 °C.
- Esta máquina no es adecuada para la limpieza de superficies congeladas (almacenamiento frío).
- No use esta máquina en agua de una profundidad que supere (3/8 in.) 1 cm.
- Use solo repuestos y accesorios originales del fabricante.
- Esta máquina no está prevista para usarse en calles o caminos de tránsito público.
- No use esta máquina sobre superficies que sean sensibles a la presión. Vea la carga de presión de superficie en los datos técnicos.
- No use esta máquina en entornos potencialmente explosivos.
- No aspire líquidos o gases inflamables, solventes o ácidos sin diluir. Esto incluye gasolina, agentes diluyentes o aceite caliente que pueda formar una mezcla explosiva cuando se mezcla con el aire. No use acetona, solventes o ácidos sin diluir.
- El aceite de naranja (D-limonene) no es compatible con los plásticos que se usan en esta máquina. El uso de D-limonene puede dañar la máquina.
- NUNCA** intente operar esta máquina si no funciona de manera adecuada o si está dañada de alguna forma.
- NUNCA** desconecte o modifique ningún interruptor o dispositivo de seguridad (disyuntores).
- NUNCA** deje caer o inserte objetos en cualquier apertura de la máquina.
- NUNCA** opere esta máquina con alguna apertura de aire bloqueada. Conserve todas las aperturas de aire libres de polvo, pelusa, pelo, etc.
- NUNCA** levante nada que se esté quemando o que esté humeando, como cigarrillos, fósforos o ceniza caliente.
- SIEMPRE** mantenga la cara, los dedos, el cabello o cualquier otra parte del cuerpo o ropa suelta lejos de cualquier apertura o pieza móvil de la máquina (cepillo giratorio, accionador de discos o motor de vacío).
- SIEMPRE** apague la máquina al colocar los discos o los cepillos.
- SIEMPRE** retire las llaves cuando se deje sola la máquina.
- SIEMPRE** asegúrese de que la rampa esté asegurada al vehículo antes de intentar la carga o la descarga.
- SIEMPRE** tenga extremo cuidado al operar la máquina sobre una rampa o al cargar la máquina en un camión

o remolque o al descargarla de este. Tenga extremo cuidado si la rampa está húmeda, aceitosa o cubierta con químicos para limpieza.

- NUNCA detenga o gire la máquina sobre una rampa o inclinación.
- NUNCA intente subir una pendiente u operar esta máquina sobre una rampa o inclinación que supere su rango.
- NUNCA estacione o almacene la máquina cerca de un muelle, sobre rampas, cerca de un horno, una caldera, llama abierta u otras fuentes de calor elevado.
- NUNCA permita que la máquina se congele.
- NUNCA exponga la máquina a la lluvia, a la nieve o a temperaturas extremas.
- NUNCA almacene ningún artículo en esta máquina.

## Información de seguridad de la batería



- ADVERTENCIA: No tener en cuenta estas advertencias puede ocasionar lesiones personales al operador de la máquina o a los transeúntes.
- ADVERTENCIA: Las baterías emiten hidrógeno, que puede ocasionar un incendio o una explosión.
- Nunca fume, encienda un fósforo u ocasione una chispa durante el funcionamiento o la carga.
- Siempre cargue en una área seca y bien ventilada lejos de la llama abierta.
- SIEMPRE lea y comprenda todas las instrucciones antes de cargar las baterías.
- NUNCA intente cargar las baterías a menos que se haya capacitado para ello.
- NUNCA permita que una persona sin capacitación instale o cargue las baterías.
- SIEMPRE use protección para los ojos y ropa de protección para evitar el contacto con el ácido de la batería.
- NUNCA coloque nada sobre las baterías ya que se puede producir un arco.
- SI ENTRA EN CONTACTO CON EL ÁCIDO DE LA BATERÍA, siga estas instrucciones:
  - PIEL: enjuague el área con agua.
  - OJOS: lave con abundante agua durante 15 minutos.
  - INTERNO: tome agua o leche. Siga con leche de magnesio, huevo batido o aceite vegetal. Llame a un médico inmediatamente.

## Seguridad de carga de batería



**ADVERTENCIA:** Desenchufe el cargador de la batería del tomacorriente de la pared antes de desconectar las baterías de la máquina para evitar el arco eléctrico o daños a la máquina.

SIEMPRE cargue las baterías con la carcasa superior elevada.

- SIEMPRE lea las instrucciones cuidadosamente.
- SIEMPRE use el cargador suministrado por NSS con la clasificación de tensión correcta.
- SIEMPRE enchufe el cargador en una toma con descarga a tierra.
- NUNCA opere el cargador si el cable de alimentación de CA está dañado o si el cargador sufrió algún tipo de daño.
- NUNCA cargue una batería congelada.
- Para las baterías de ácido de plomo inundadas (no corresponde para las baterías selladas de libre mantenimiento):
  - SIEMPRE controle para asegurarse de que el nivel de agua de la batería cubre las placas de la batería antes de la carga.
  - SIEMPRE controle el nivel de agua después de la carga y agregue agua destilada si es

necesario para que el nivel llegue a la parte inferior del orificio de llenado.



- NUNCA llene de más las baterías ya que se pueden dañar la batería y la máquina.
- SIEMPRE limpie el ácido de la superficie de la batería con una solución jabonosa.
- SIEMPRE vuelva a colocar las tapas en las baterías. No cargue con las tapas sueltas o retiradas.
- SOLO use agua destilada.

## PUESTA A TIERRA DEL EQUIPO ELÉCTRICO-CARGADOR DE BATERÍA



**ADVERTENCIA:** La conexión incorrecta del equipo o del cable de descarga a tierra puede producir riesgo de descarga eléctrica. Verifique con un electricista calificado o con una persona de mantenimiento si tiene dudas acerca de la descarga a tierra adecuada de la toma. No modifique el enchufe proporcionado con el cargador. Si la toma no es la adecuada para un uso seguro, haga que un electricista calificado instale una toma con una descarga a tierra adecuada.

Norteamérica: Siempre use un cable de extensión de tres alambres con descarga a tierra adecuada que tenga enchufes macho y hembra. Si se usan cables de extensión de 25 pies [7.6 m], la capacidad de transmisión eléctrica no debe ser inferior a 14-3 ST, para cables de extensión de 50 pies [15.2 m] no debe ser inferior a 12-3 ST.

### Instrucciones de la descarga a tierra

Este cargador debe tener descarga a tierra mientras esté en uso para proteger al operador de una descarga eléctrica. El cargador se proporciona con un cable de tres conductores y con un enchufe del tipo con descarga a tierra de tres contactos. El enchufe se debe enchufar en una toma adecuada que esté bien instalada y con descarga a tierra de acuerdo con todos los códigos y las ordenanzas locales. El conductor verde en el cable es el alambre de descarga a tierra. Nunca conecte este alambre a otro que no sea el perno de descarga a tierra del enchufe.

Si el cable que se proporciona con el cargador tiene un enchufe para aditamentos como el que se muestra en la figura A a continuación, está previsto que se use en un circuito nominal de 120 voltios. Si no está disponible un receptáculo puesto a tierra de manera apropiada como se muestra en la figura A, se puede instalar un adaptador como se muestra en la figura B si la caja de toma que aloja el receptáculo está puesta a tierra. Asegúrese de sujetar la pestaña de descarga a tierra (la orejeta rígida verde, la rodela o similar que se extiende desde el adaptador) con un tornillo de placa frontal metálico.

Si el cable proporcionado con el cargador tiene un enchufe como el que se muestra en la Figura C, está previsto para usarse en un circuito nominal de 240 voltios (solo de fase simple). Los cambios al enchufe para aditamentos o el uso de adaptadores con otros tipos de enchufes se deben realizar de acuerdo a los reglamentos locales.

Figura A

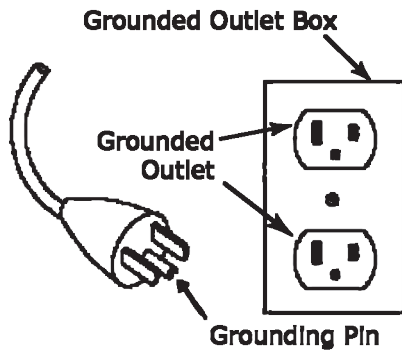
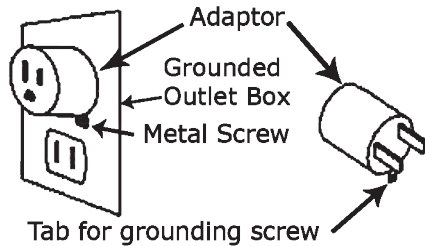
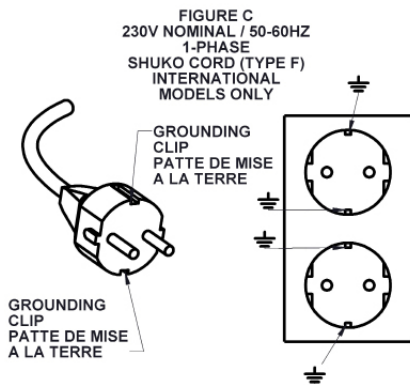


Figura B



NOTA: En Canadá, el uso de un adaptador provisional no está permitido según el código eléctrico canadiense, C22.1.



## Instrucciones para desempacar

(consulte la etiqueta en el empaque)

1. Con cuidado, corte las dos (2) bandas alrededor de la caja.
2. Retire la grapas y abra las solapas superiores.
3. Ubique la parte delantera de la máquina donde la rampa de tarima está sujeta con cinta adhesiva a la máquina.
4. Retira las grapas en la parte inferior de la caja y levante para retirar la caja dla tarima. PRECAUCIÓN: Manténgase alejado de la parte delantera de la caja al levantar la caja ya que la rampa puede caer hacia adelante.
5. Doble la rampa hacia abajo y asegure de que descance por completo y de manera segura sobre la orilla dla tarima.
6. Retire los pernos para madera que sostienen las dos (2) anclas dla tarima al tarima (se necesita una llave de 7/16 in).
7. Retire y lea todas las instrucciones de operación.
8. Verifique que el interruptor de llave está apagado.
9. Abra el compartimiento de las baterías.
10. Enchufe el conector de baterías al conector que se encuentra ubicado en la cara inferior de la carcasa superior sobre las baterías.
11. Verifique que el disyuntor (junto al conector del paquete de baterías) esté en ON (ENCENDIDO). Gire el interruptor de llave.

13. Asegure de que las ruedas estén alineadas con la rampa y conduzca la máquina lentamente hacia adelante para bajar de la tarima.
14. Recicle la caja y la tarima.



Recicle el empaque.

## Antes del primer uso



Técnicos calificados realizarán la instalación de las baterías según el diagrama de conexiones de las baterías que se encuentra en la máquina. (Consulte la indicación n.º 2).

- Levante la carcasa superior para abrirla (n.º 37, figura 2).
- Enchufe el conector del paquete de baterías (n.º 22, figura 2) en el conector correspondiente que se encuentra en la máquina.
- Asegúrese de que el disyuntor (n.º 23, figura 2) esté en posición ON (ENCENDIDO).
- Instale la escobilla y conecte la manguera a la escobilla. Consulte la sección INSTALACION DEL ENJUGADOR.
- Instale los discos y los cepillos. Consulte la sección INSTALACION DE DISCOS Y CEPILLOS.
- Cargue totalmente las baterías. CONSULTE LA SECCIÓN CARGADOR DE BATERÍAS.
- Tenga en cuenta que la máquina está deshabilitada cuando el cargador de baterías está conectado a la toma de pared.

## Cargador de baterías

Cuando la máquina se suministra con baterías instaladas, la fábrica NSS ajusta el cargador de baterías para las baterías instaladas.



**ADVERTENCIA:** cuando reemplace las baterías suministradas por NSS o instale baterías compradas a otro proveedor, se debe ajustar el cargador de baterías a la curva y a la corriente de carga correctas para las baterías instaladas.

No elimine las baterías como un desecho normal.



**ADVERTENCIA:** el cargador de baterías siempre debe estar en 24 V.



**ADVERTENCIA:** no use el cargador si los ajustes no coinciden con el tamaño y el tipo de batería instalada en la máquina. LLAME PARA SOLICITAR MANTENIMIENTO.

Ajuste del cargador de baterías

Un técnico calificado debe cargar los ajustes del cargador de baterías.

Consulte las instrucciones en el folleto 9098306

Preparación del cargador (solo para uso de técnicos).

## Inspección de la máquina

• Después de desempacar, inspeccione la máquina en busca de daños o componentes faltantes. Si se encuentran daños, comuníquese con la compañía de transporte para presentar un reclamo de envío.

## Antes del primer uso



La instalación de la batería debe ser realizada por un técnico calificado de acuerdo con el diagrama de conexiones de la batería en la máquina (Ver la Marca # 2).

- Levante el Tanque de recuperación (# 21 Figura 1) con la correa (# 32 Figura 4).
- Enchufe el conector de la batería (# 30, Figura 4) en el conector de acoplamiento de la máquina.
- Instale la escobilla de goma y conecte la manguera a la escobilla de goma. Vea la sección de INSTALACIÓN DE SQUEEGEE.
- Instale almohadillas / cepillos. Consulte la sección INSTALACIÓN DE LA ALMOHADILLA / CEPILLO.
- Cargue las baterías completamente. VEA LA SECCIÓN DEL CARGADOR DE BATERÍA.
- Nota: La máquina se desactiva cuando el cargador de batería está conectado a la toma de corriente.

## COMPONENTES DE LA MÁQUINA

### Panel de control del operador

El panel de control del operador está ubicado en el área superior trasera de la parte posterior de la máquina. Este panel tiene componentes que controlan varias funciones de la máquina.

#### Wrangler 2012 AB (Ver Figura 6):

- El interruptor de llave (# 42) ubicado en la parte posterior de la caja de control enciende y apaga la máquina. El encendido se indica cuando el medidor de batería (# 41) está iluminado.
- Las manijas del operador (# 39) le permiten al operador controlar la dirección de la máquina.
- El medidor de batería (# 41) muestra el estado de carga de las baterías. Las baterías completamente cargadas se indican cuando la barra LED derecha está encendida. La barra LED se moverá hacia la izquierda a medida que se descargan las baterías. 70% de descarga indicada por la segunda barra LED izquierda parpadeando. Descarga del 80% indicada por el parpadeo alternativo de ambas barras LED izquierdas. El medidor de batería está equipado con un relé que se abrirá, apagando la máquina, cuando el voltaje de la batería ha caído a su nivel más bajo permitido.
- El medidor de horas (# 41) indica las horas que se ha utilizado el motor del cepillo. El contador de horas no se puede restablecer.
- La palanca del interruptor (# 40) frente a la empuñadura derecha de la manija de control (# 39) enciende el motor del cepillo / almohadilla y dispensa la solución cuando el interruptor del motor del cepillo / almohadilla (# 24) está activado.
- El disyuntor (# 36) controla el motor del cepillo / almohadilla. Presione para reiniciar.
- El disyuntor (# 38) controla el motor de vacío. Empuje para descansar.

#### Panel de control izquierdo (Ver Figura 2.)

- El interruptor de vacío (# 23) controla el motor de vacío.
- El interruptor del motor del cepillo / almohadilla (# 24) controla el motor del cepillo / almohadilla.
- El fusible del cargador de batería (# 25) debe estar funcionando para que la máquina funcione.

#### Wrangler 2012 DB (Ver Figura 5):

- El interruptor de llave (# 35) ubicado en el panel de control derecho enciende y apaga la máquina.

El encendido se indica cuando se enciende el medidor de batería (# 34) sobre el interruptor de llave.

- El medidor de batería (# 34) muestra el estado de carga de las baterías durante la operación. Cuando las baterías están completamente cargadas, todos los LED se iluminan. A medida que las baterías se descargan, los LED comienzan a apagarse, uno a la vez, de derecha a izquierda. El medidor de batería está equipado con un relé que se abrirá, apagando la máquina, cuando el voltaje de la batería haya caído a su nivel más bajo permitido. Si la máquina funciona hasta que se apaga automáticamente, apague el interruptor de llave, el interruptor del cepillo y el interruptor de vacío. Luego encienda el interruptor de llave, y la máquina puede ser conducida a un lugar de carga.
- En el centro del panel del operador hay dos (2) empuñaduras de goma (# 33). Estas empuñaduras giran hacia adelante y hacia atrás para controlar la dirección y la velocidad de la máquina. Cuanto más giren las empuñaduras, más rápido se moverá la máquina. Estas empuñaduras giratorias tienen una función que devuelve la máquina a la posición neutral cuando se sueltan las manijas.
- El motor del cepillo / almohadilla se enciende cuando el interruptor del cepillo / almohadilla (# 24, Figura 2) está activado y las empuñaduras giratorias se giran en cualquier dirección.
- La solución se dispersa cuando el interruptor del cepillo / almohadilla (# 24, Figura 2) está activado y las empuñaduras giratorias se giran en cualquier dirección, pero no controla la cantidad de solución distribuida.
- El disyuntor (# 36) controla el motor del cepillo / almohadilla. Presione para reiniciar.
- El disyuntor (# 37) controla el controlador del motor de accionamiento y la máquina. Presione para reiniciar.
- El disyuntor (# 38) controla el motor de vacío. Empuje para descansar.

#### Panel de control izquierdo (Ver Figura 2.)

- El interruptor de vacío (# 23) controla el motor de vacío.
- El interruptor del motor del cepillo / almohadilla (# 24) controla el motor del cepillo / almohadilla.
- El fusible del cargador de batería (# 25) debe estar funcionando para que la máquina funcione.

## Componentes comunes de la máquina

### (Ver Figuras 1,3 y 4)

#### Tanque de solución

- El tanque de solución (# 18) es la parte inferior del cuerpo de la máquina y tiene una capacidad de 12 galones (45 L).
- El tanque de solución se puede llenar a través de la abertura de llenado frontal (# 28). Levante la tapa para acceder a la abertura. Vuelva a colocar la cubierta para evitar salpicaduras cuando la máquina esté en movimiento.
- El tanque de solución se puede llenar a través de la abertura de llenado posterior (# 3). Levante el tapón para acceder a la abertura. Vuelva a colocar el tapón para evitar salpicaduras cuando la máquina esté en movimiento.
- La cantidad de agua en el tanque de solución se ve en el medidor del sitio y la manguera de drenaje (# 17) en la parte posterior derecha del tanque. El tanque de solución también se puede vaciar a través de esta manguera.

## Tanque de recuperación

- El tanque de recuperación (# 21) es la parte superior del cuerpo de la máquina y tiene una capacidad de 14 galones (53 L).
- El tanque de recuperación recoge la solución sucia.

## Manguera de drenaje del tanque de recuperación

- La manguera de drenaje del tanque de recuperación (# 19) se usa para drenar el tanque de recuperación. Retire la manguera del clip de sujeción, para quitar la tapa de drenaje (# 20), empuje hacia abajo y gírela. Drene la solución sucia en un sumidero o desagüe.

## Tapa del tanque de recuperación

- La tapa del tanque de recuperación (# 22) cierra la abertura del tanque de recuperación.
- Al levantar la tapa se accede a la trampa de desechos (# 27).
- Levantando la tapa se accede al cierre del flotador (# 26).

## Trampa de escombros

- La trampa de desechos (# 27) recoge desechos grandes que evitan obstrucciones en la manguera de drenaje, sumideros y desagües.
- La bandeja de residuos se retira fácilmente para vaciarla.

## Flotador apagado

- A medida que el nivel del agua sube en el tanque de recuperación, la bola de flotación en el cierre de flotación (# 26) se elevará dentro del tubo y cerrará el flujo de aire del vacío. NOTA: El conjunto de cierre de flotador no apaga el motor de aspiración.
- El flotador de apagado es removible para la limpieza. NUNCA use la máquina sin el flotador de apagado en su lugar.

## Válvula de control de solución

- La válvula de control de solución (# 12) se encuentra en el lado trasero izquierdo de la máquina. Esta válvula controla la cantidad de líquido que se deposita en el piso cuando se limpia. Gire la manija de la válvula a la posición vertical para cerrar la válvula. Gire la válvula horizontal para un flujo completo. Gire la válvula en cualquier punto intermedio para controlar el flujo.

## Conjunto de filtro de solución

- Adjunto a la válvula de control de la solución debajo de la máquina hay un filtro de cartucho de solución (# 11) diseñado para evitar que los desechos entren en la válvula solenoide de solución.
- Si la solución deja de fluir hacia el cepillo, cierre la válvula de control de la solución y desenrosque el recipiente del recipiente (a mano), retire y limpie la pantalla.

## Compartimiento de la batería

- Las baterías (# 29) se encuentran en el compartimiento de la batería.
- Para acceder a las baterías, levante la correa (# 32) ubicada en el lado derecho del tanque de recuperación.
- La desconexión de la batería (# 30) se encuentra en el compartimiento de la batería. La desconexión de la batería desconecta las baterías de la máquina. SIEMPRE desconecte las baterías antes de realizar cualquier mantenimiento o reparación.

## Manguera de drenaje del compartimento de la batería

- La manguera de drenaje del compartimento de la batería (# 16) está en el lado izquierdo del panel de control. Los líquidos derramados del compartimento de la batería se acumulan en él. Se utiliza una pinza de sujeción para mantenerlo cerrado.
- Inspeccione la manguera para determinar el nivel de líquido semanalmente.
- Deseche los líquidos de acuerdo con las regulaciones locales y federales.

## Motor de cepillo / almohadilla

- El pedal (# 6) en el lado derecho de la máquina trasera se usa para subir o bajar el motor del cepillo.
- El motor del cepillo / almohadilla tiene escobillas de carbón que deben ser reparadas regularmente. Las escobillas de carbón tienen una vida útil prevista de 2.000 horas de funcionamiento. Consulte la sección de mantenimiento más adelante en este libro.

## Palanca de presión del motor del cepillo / almohadilla

- La palanca del motor del cepillo / almohadilla (# 4) controla la presión sobre el cepillo / almohadilla en el piso.
- Cuando el motor del cepillo / almohadilla está en el piso y la palanca está en la posición hacia abajo / flotante, esta es la configuración de flotación. Esta configuración es solo el peso del motor del cepillo / almohadilla.
- Cuando el motor del cepillo / almohadilla esté en el piso, levante la palanca hacia arriba y hacia la derecha y se detendrá. Este es el ajuste de alta presión.

## Enjugador de goma

- La escobilla de goma (# 10) se utiliza para eliminar la solución sucia del piso después de fregar.

## Soporte de la escobilla de goma / subir y bajar el pedal

- La escobilla de goma (# 10) se monta en el soporte de la escobilla de goma (# 9). La escobilla de goma es extraíble para limpieza y reemplazo de la cuchilla.
- Las perillas de la escobilla de goma (# 8) sostienen la escobilla de goma en su lugar.
- La manguera de la escobilla de goma (# 7) lleva la solución sucia al tanque de recuperación.
- El soporte de la escobilla de goma también se usa como pedal para subir y bajar la escobilla de goma hacia y desde el piso.
- Pise el pedal para bajar la escobilla de goma al piso y levante el pedal con la punta del pie para levantar la escobilla del piso.

## Palanca de bloqueo del cepillo / almohadilla

- La palanca de bloqueo del cepillo / almohadilla (# 15) bloquea el bastidor de la transmisión, lo que facilita la extracción del cepillo / almohadilla.
- La palanca se encuentra en el lado izquierdo de la cubierta del motor.
- Tire de la palanca hacia adelante y gire el cepillo / almohadilla en sentido contrario a las agujas del reloj para retirarla (consulte las marcas n.º 12 y n.º 13).
- NOTA: La palanca no se usa para instalar el cepillo

/ almohadilla. La unidad de fundición tiene un dispositivo de certificación para ayudar con la instalación del cepillo / almohadilla.

### Falda y falda cepillo

- El faldón (# 14) mantiene al operador y a las personas alejadas de las partes giratorias.
- El cepillo de falda (# 13) evita que la solución salpique debajo de la falda. NO use la máquina cuando el cepillo de la falda no esté en su lugar.

### Cargador de batería

- El cargador de batería se encuentra dentro del panel posterior.
- La operación del cargador de batería se puede ver a través de la ventana del cargador de batería (# 1).
- El cable del cargador de batería se puede quitar de la máquina cuando se desenchufa del cargador de batería receptivo (# 2).
- El cable para el cargador de batería se puede almacenar en la máquina usando la envoltura del cable del cargador de batería (# 5).

### Motor de vacío

- El motor de vacío (# 31) está montado en la parte inferior del tanque de recuperación (superior).
- Este motor tiene escobillas de carbón que deben ser reparadas regularmente. Las escobillas de carbón tienen una vida útil prevista de 700 horas de funcionamiento.

## Cargador de batería

### Instrucciones de funcionamiento del cargador de batería - SPE CBHD1-XR-P-24-13

#### INFORMACIÓN GENERAL Y ADVERTENCIAS

- Cuando la máquina no se suministra con baterías instaladas, el cargador de batería está configurado en la curva # 0 para las baterías Crown 130AH.
- Cuando la máquina se suministra con baterías instaladas, la fábrica de NSS configura el cargador de baterías para las baterías instaladas.
- Cargador electrónico automático de baterías con microprocesador adecuado para cualquier tipo de batería.
- Voltaje de entrada universal: 100-240 VCA
- Ciclo de carga completamente automático con ajustes electrónicos; protegido contra sobrecarga, cortocircuito en las pinzas y polaridad invertida.
- Antes de comenzar a cargar, asegúrese de que el voltaje del equipo se ajuste al voltaje de la batería, que la corriente de carga se adapte a la capacidad de la batería y que la curva de carga seleccionada (para baterías de plomo-ácido o baterías de gel herméticas) sea correcta para tipo de batería a cargar. Además, asegúrese de que el voltaje de entrada nominal del cargador se adapte al voltaje de suministro disponible y que el sistema esté equipado con conexión a tierra.
- Preste atención a cualquier comentario del fabricante de la batería.

#### PRINCIPIO OPERATIVO DEL CBHD1-XR-P

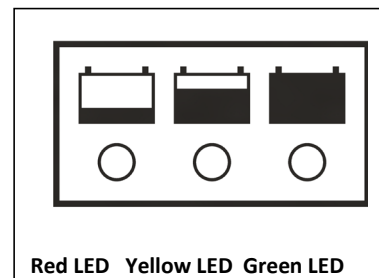
Al encender el cargador de batería, mostrará el LED rojo parpadeante o el LED verde durante 5 segundos mientras comprueba el voltaje de entrada de CA y el voltaje de la batería de CC y decide si se iniciará o no el proceso de carga. El LED rojo parpadeante al inicio indica una de las dos curvas de carga WET. El LED verde parpadeante al inicio indica una de las dos

curvas de carga AGM / GEL. Si la batería no está conectada al cargador de batería o si hay una anomalía, el LED amarillo parpadeará. Si el resultado es positivo después de 1 segundo, el la carga de la batería comenzará con el LED rojo encendido. El relé de salida se cierra y la corriente de la primera fase aumenta lentamente hasta alcanzar el valor nominal programado. Si el usuario desconecta la batería del cargador de batería durante la carga, los LED rojo, amarillo y verde se encenderán durante 1 segundo. Después de eso, el cargador de batería se reiniciará. El progreso del proceso de carga se muestra mediante tres LED: rojo, amarillo y verde, como es típico en la gama de productos de cargadores de baterías. El LED verde indica el final de la carga o la última fase en el caso de un proceso de carga profunda. Cuando finaliza la carga, el relé se abre para desconectarse.

### INSTRUCCIONES DE OPERACIÓN

- Conecte el cable a un enchufe.
- El progreso del ciclo de carga se mostrará mediante los indicadores LED rojo, amarillo y verde. Al final de la carga, cuando el indicador verde está encendido, desconecte el cable del enchufe y opere la máquina.

#### Etiqueta frontal en el cargador de batería SPE CBHD1-XR-P



#### CBHD1-XR-P DIP SWITCH LOCATION

El conjunto de interruptores de 4 dip es fácil de encontrar (ubicado debajo del enchufe de goma redondo al lado del cable de alimentación) sin abrir el cargador.

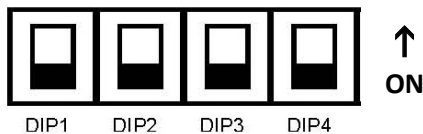


Use un destornillador pequeño para mover los interruptores DIP hacia arriba y hacia abajo.



## Configuraciones DIP del cargador de batería

A través del conjunto de 4 interruptores DIP es posible cambiar la curva de carga (4 curvas de carga están disponibles para baterías húmedas y de gel). El conjunto de interruptores de 4 dip es fácil de encontrar (ubicado debajo del enchufe de goma redondo al lado del cable de alimentación) sin abrir el cargador.



### DIP1 DIP2 para la selección de la curva de carga

DIP 1	DIP 2	DIP 3	DIP 4	CURVA DE CARGA
ON	ON	N/A	N/A	0 - Curva especial para cargar baterías de plomo-ácido (húmedas) CORONA. CONFIGURACIÓN PARA NSS 2392111 - BATERÍA, MOJADA 12V, 115 AMP / HR 6393651 - BATERÍA MOJADA, 12V, 130 AMP / HR
OFF	ON	N/A	N/A	1 - Curva para cargar baterías AGM SEADED LEAD-ACID con carga flotante. CONFIGURACIÓN PARA NSS 2392731 BATERÍA AGM, 12V, 98 AMP / HR, 7696501 BATERÍA AGM, 12V, 110AMP / HR
ON	OFF	N/A	N/A	2 - Curva para cargar baterías típicas de plomo ácido selladas con GEL.
OFF	OFF	N/A	N/A	3 - Baterías húmedas con flotador, acabado 3.5A.
N/A - LA CONFIGURACIÓN DEL DIPSWITCH PARA DIP3 Y DIP4 NO EFECTA LA CURVA DE CARGA				

### Indicadores LED del cargador de batería

La siguiente tabla detalla el funcionamiento de los tres LED del cargador de batería CBHD1-XR-P.

SEÑAL (LED)	SENTIDO
LED rojo encendido	Primera y / o segunda fase de carga en progreso.
LED amarillo encendido	Segunda o tercera fase de carga en progreso.
LED verde encendido	Fin de carga o fase de mantenimiento.
PROBLEMAS	SOLUCIONES Y CONTROLES
El cargador de batería no se enciende.	Compruebe que el enchufe está conectado a la red de suministro y que el interruptor automático es eficiente.
El ciclo de carga no comienza.	Verifique la conexión a la batería y la polaridad.

El indicador LED amarillo brillante.	Batería no adecuada (voltaje de la batería inferior a 4,0 voltios o superior a 3,0 voltios por celda) o batería no conectada o cortocircuito de salida.
LED rojo y amarillo intermitente.	Voltaje de la batería superior a 4.0 voltios pero inferior a 1.4 voltios por celda
LED rojo y verde encendido o parpadeando continuamente.	Error interno de sobret temperatura (el cargador permanece encendido con una corriente de salida = 0.0A hasta que la temperatura esté bien. Luego reinicia el proceso de carga (reinicio).
LED rojo brillante	Temporizador de seguridad excedido. Cortocircuito interno (sobrecorriente de salida)
LED rojo, amarillo y verde parpadeando cada segundo	Todos los parámetros del perfil de carga no están programados en la EEPROM del cargador.
LED rojo, amarillo y verde parpadeando continuamente	Los parámetros del perfil de carga del perfil de carga seleccionado no están programados en la EEPROM del cargador o el perfil de carga no está activo.



**ADVERTENCIA:** no utilice el cargador si la configuración no coincide con el tipo y el tamaño de la batería instalados en la máquina. **LLAME AL SERVICIO Setting the Cargador de batería**

El cargador de batería debe retirarse de la máquina para cambiar la configuración. La configuración debe ser modificada por un técnico calificado.



**ADVERTENCIA**-Cuando reemplace las baterías suministradas por NSS o instale baterías compradas de otra fuente, el cargador de batería debe estar configurado en la curva correcta y la corriente de carga para las baterías que se están instalando.

No arroje las baterías a la basura normal.

### Instrucciones de operación

**Consulte la sección Controles para obtener una descripción de los componentes de control de la máquina.**



**ADVERTENCIA** - Para evitar el uso no autorizado de la máquina, apague siempre el interruptor de llave y retire la llave cuando deje la máquina desatendida.



**PELIGRO**

Peligro de vuelco de la máquina si el gradiente supera el 9%. En pendientes superiores al 2%, siempre viaje hacia adelante o hacia atrás paralelamente a la pendiente.

Peligro de vuelco en terreno inestable: utilizar solo en superficies lisas.

Peligro de resbalar en suelos mojados: muévase lenta-



mente en condiciones resbaladizas.

Wrangler 2012 DB - PARA DETENER LA MÁQUINA RÁPIDAMENTE, LIBERE LOS PUÑOS TWIST. Los puños giratorios volverán automáticamente a la posición neutral y detendrán la máquina.

### Instalación de la escobilla de goma

Ver Figura 1.

- Afloje las perillas de la escobilla de goma (# 8).
- Deslice la escobilla de goma (# 10) sobre el soporte de la escobilla de goma (# 9) detrás de la máquina y apriete las perillas.
- Empuje la manguera de la escobilla de goma (# 7) sobre la escobilla de goma.

### Instalación de almohadilla / cepillo



**ADVERTENCIA** - Asegúrese de que la plataforma de fregado esté arriba y que el interruptor de llave esté apagado.

Ver Figura 1.

- Use el pedal del cepillo (# 6) para levantar la falda de la plataforma de fregado (# 14).
- Deslice el controlador del cepillo / almohadilla debajo de la plataforma.
- La unidad de fundición tiene un dispositivo de centrado. Levante el controlador del cepillo / almohadilla y ubique el centro con el bastidor de la unidad.
- Gire el controlador del cepillo / almohadilla CW hasta que se detenga.

### Llenando el tanque de agua limpia



#### Advertencias

No use líquidos inflamables.

Nunca use agua a más de 140 ° F (60 ° C).

Utilice únicamente detergentes libres de solventes, ácido clorhídrico y ácido fluorhídrico.

Siga las instrucciones de seguridad provistas con los detergentes de limpieza.

Siga las instrucciones del fabricante del detergente con respecto al equipo de protección personal.

No use detergentes de alta espuma.

Ver Figuras 1 y 4.

- Retire la cubierta de agua limpia (# 28) (frente) o el tapón (# 3) (atrás) del tanque de solución (# 18).
- Llène con agua hasta el nivel deseado. NO deje la máquina desatendida durante el llenado.
- Un medidor del sitio de nivel de agua se encuentra en la parte posterior de la máquina.
- Vierta el detergente si lo desea de acuerdo con las instrucciones del fabricante del detergente.
- Limpie el agua derramada / detergente de las superficies de la máquina.
- Vuelva a colocar la cubierta (frontal) y / o el tapón (posterior).

### Operación básica de limpieza

- Barra y trapee el piso con un trapeador para eliminar la suciedad y los escombros antes de fregar. Las acumulaciones de suciedad o desechos en el piso reducirán el rendimiento de limpieza.
- Es posible que también necesite limpiar previamente algunos tipos de derrames o manchas antes de fregar.
- Planifique su trabajo de modo que haga caminos largos y rectos con la menor cantidad de vueltas posible, superponiendo cada camino de limpieza aproximadamente 2 pulgadas (5 cm) para evitar rayas y áreas sucias.

- Mueva la máquina al área a limpiar.
- Ajuste la válvula de flujo de solución al caudal deseado.
- Baje la cabeza del cepillo / almohadilla al piso.
- Seleccione la presión de la almohadilla deseada.
- Baje la escobilla de goma al piso.
- Encienda el interruptor del cepillo.
- Wrangler 2012 DB: el motor del cepillo / almohadilla y la solución comenzarán cuando se activen las empuñaduras giratorias y la máquina comience a moverse.
- Wrangler 2012 AB: el motor y la solución del cepillo / almohadilla se iniciarán cuando se active el interruptor de palanca del cepillo / almohadilla. Empuje la máquina para que se mueva.
- Encienda el interruptor del motor de aspiración. El motor de aspiración arrancará sin mover la máquina.
- Limpie el área deseada.
- Cuando se limpia el área, lleve la máquina a un desagüe de eliminación aprobado y apague todos los interruptores.
- Retire la manguera de drenaje de su sujeción en la parte posterior de la máquina. Levante el extremo de la manguera por encima del nivel del tanque de recuperación, afloje y retire el tapón de drenaje de la manguera. Dirija cuidadosamente la manguera de drenaje hacia el drenaje.
- Drene el tanque de recuperación hasta que esté vacío. Si queda alguna solución sucia, levante el tanque de recuperación, compre su correa, la solución sucia restante se drenará. Vuelva a colocar y apriete el tapón de drenaje. Vuelva a colocar la manguera de drenaje en su clip de sujeción.

### Mantenimiento de usuario



**PRECAUCIÓN** - No rocíe agua a alta presión sobre ninguna parte de esta máquina. Siempre limpie todas las superficies con un paño limpio.

Todos los días, vacíe todos los líquidos de los tanques de solución y recuperación y deje que se sequen al aire para evitar olores.

### Drenaje del tanque de agua limpia

No deje la mezcla de detergente en el tanque por más de 24 horas. Se puede obstruir el filtro y las líneas.

Ver Figuras 1 y 2.

- Retire la manguera de la escobilla de goma (# 7) de la escobilla de goma.
- Encienda el interruptor del motor de aspiración (# 23).
- Retire la manguera de drenaje del tanque de solución (# 17).
- Coloque la manguera de drenaje de la solución en la manguera de vacío y retire la solución del tanque de solución al tanque de recuperación.

### Drenaje / limpieza del tanque de recuperación

Drene y limpie después de cada uso.

Ver Figuras 1 y 3.

- Retire la manguera de drenaje (# 19) del clip de sujeción en la parte posterior de la máquina.
- Retire el tapón de drenaje (# 20) girándolo en sentido antihorario.
- Drene el agua sucia en el área de drenaje adecuada.
- Abra la tapa del tanque de recuperación (# 22).
- Retire y limpie la trampa de desechos (# 27).
- Retire y limpie el flotador (# 26).
- Enjuague el tanque de recuperación (# 21). Levante el tanque de recuperación, compre su correa, el agua restante se drenará.
- Instale el tapón de la manguera de drenaje y regrese la manguera de drenaje a su clip de sujeción.

## Mantenimiento del filtro de agua limpia

Limpie el filtro semanalmente.

Ver Figura 1.

- Cierre la válvula de agua limpia # 12.
- Desenrosque el recipiente del filtro de agua limpia # 11.
- Retire y limpie la pantalla.
- Vuelva a colocar la pantalla en el recipiente.
- Atornille el recipiente nuevamente en su lugar.
- Abra la válvula de agua limpia # 12.

## Mantenimiento de la escobilla de goma

Limpie la escobilla de goma e inspeccione las cuchillas diariamente.

Ver figura 1

- Retire la escobilla de goma (# 10) del soporte de la escobilla de goma (# 9).
- Coloque la escobilla de goma boca abajo en el piso o banco.
- Suelte la abrazadera de sujeción de la cuchilla.
- Retire las cuchillas, limpie, inspeccione el desgaste, gire o reemplace según sea necesario.
- Vuelva a colocar las cuchillas en la escobilla de goma, con cantidades iguales de cuchilla colgando de ambos extremos de la carcasa de la escobilla de goma.
- Vuelva a colocar la abrazadera de sujeción de la cuchilla.
- Tire ligeramente del extremo derecho de la cuchilla trasera y trabe la abrazadera.

## Ajuste de la abrazadera de sujeción de la cuchilla

En caso de que las cuchillas de la escobilla de goma se extraigan de la carcasa durante el uso:

- Afloje la contratuerca en la varilla de la abrazadera.
- Gire la varilla para acortar su ajuste.
- Apriete la contratuerca y reanude la limpieza.
- Repita lo anterior según sea necesario hasta que las cuchillas permanezcan en su lugar.

## Almohadillas / Cepillos

Inspeccione las almohadillas / cepillos para el uso diario. Reemplace según sea necesario.

## Drenaje del compartimento de la batería



**PRECAUCIÓN** - Capture y deseche el ácido de la batería de acuerdo con las regulaciones locales.

Ver Figura 1.

- Drene el compartimento de la batería semanalmente.
- Después de completar el mantenimiento del usuario, apague el interruptor de llave y cargue las baterías.

## Mantenimiento de la batería

Cargue las baterías después de cada uso.

**PRECAUCIÓN:** LOS DIFERENTES TIPOS DE BATERÍA TIENEN DIFERENTES REQUISITOS DE CARGA. NO IDENTIFICAR CORRECTAMENTE SU TIPO DE BATERÍA Y CONFIGURAR EL CARGADOR CORRESPONDIENTE A DAÑAR LA BATERÍA Y ANULARÁ LA GARANTÍA.

El cargador de batería es completamente automático. Simplemente conecte el cargador a una toma de corriente adecuada y el cargador cargará las baterías. El LED verde de batería llena se iluminará continuamente cuando se complete el ciclo de carga.

Es normal un sonido burbujeante o hirviendo proveniente de las baterías durante las últimas horas de la carga. Las baterías pueden estar calientes, pero no demasiado calientes para tocarlas.

## Ecualización de las baterías (solo inundadas)

Las baterías deben ecualizarse una vez cada 30 días para obtener el máximo tiempo de vida útil y duración de la batería.

Para igualar las baterías:

- Enchufe el cargador y cargue completamente las baterías (hasta que el LED verde esté encendido continuamente).
- Desenchufe el cargador de la toma de corriente y luego vuelva a enchufarlo.
- El cargador funcionará durante ~ 2 horas, manteniendo las baterías a un voltaje constante y ecualizando cada celda.

## La batería hace y no hace:

- No tiene que descargar completamente las baterías antes de cargarlas. No tienen una "memoria".
- Enchufe el cargador cada vez que la máquina no esté en uso.
- NUNCA permita que el nivel de electrolito caiga por debajo de la parte superior de las placas (baterías de celda inundada). Esto dañará sus baterías casi de inmediato y anulará la garantía de la batería. Pueden decir si esto sucedió.
- NUNCA rellene las baterías con agua de pozo o de grifo (baterías de celda inundada).
- NUNCA sobrecargue las baterías (baterías de celda inundada).
- NUNCA deje las baterías descargadas durante la noche (o entre turnos).
- SIEMPRE verifique el nivel de electrolito aproximadamente cada 3 o 4 ciclos de carga / descarga ANTES DE CARGAR.
- SIEMPRE rellene las baterías con agua destilada (si es necesario) DESPUÉS DE LA CARGA.
- SIEMPRE recargue completamente las baterías después de su uso (hasta que se encienda el LED verde).
- SIEMPRE iguale las baterías (solo inundadas) cada 30 días.

Oportunidad de carga

La carga de oportunidad es cargar las baterías cuando se presenta una oportunidad, como durante los descansos, y se realiza además de un ciclo de carga completo.

Se recomienda la carga de oportunidad, ya que este tiempo de carga adicional ayudará a elevar el voltaje de funcionamiento de las baterías, y ayudará a garantizar el máximo tiempo de ejecución y la vida útil del ciclo. Cuando la oportunidad se carga, igualar semanalmente.

## Mantenimiento mensual (o cada 100 horas)

- Limpie los terminales de la batería.
- Limpie el sello entre la tapa y el tanque de recuperación.

## Instrucciones de lavado



**PRECAUCIÓN** - NO ROCÍE AGUA EN NINGUNA PARTE DE ESTA MÁQUINA, LOS COMPONENTES DE LA MÁQUINA PODRÍAN DAÑARSE.

- Limpie la superficie exterior de la máquina con un paño húmedo.

Todos los demás servicios deben ser realizados por un Representante de Servicio NSS autorizado.

## Mantenimiento periódico obligatorio

Es obligatorio que se realice el siguiente procedimiento de mantenimiento en el intervalo descrito. El incumplimiento de este procedimiento puede resultar en un bajo rendimiento de la máquina, daños en los componentes y fallas. Este procedimiento debe ser realizado por un distribuidor o centro de servicio autorizado de NSS. Las reparaciones no realizadas por una compañía no autorizada anularán la garantía de la máquina. Si necesita ayuda para encontrar un centro de servicio autorizado, comuníquese con NSS Enterprises.

- Después de cada 450-500 horas de funcionamiento, debe inspeccionar el desgaste de las escobillas de carbón del motor de aspiración. Reemplace las escobillas de carbón del motor de aspiración cuando tengan 7/16 pulg. [11 mm] de longitud.
- Después de cada 650-700 horas de funcionamiento, debe inspeccionar el desgaste de las escobillas de carbón del motor del cepillo. Reemplace las escobillas de carbón del motor del cepillo cuando tengan una longitud de 1/2 pulg. [13 mm].
- Wrangler 2012 DB solamente: después de cada 650-700 horas de funcionamiento, debe inspeccionar el desgaste de las escobillas de carbón del motor de transmisión (transmisión). Reemplace las escobillas de carbón del motor de transmisión (transaxle) cuando tengan una longitud de 3/8 pulg. [9 mm].






## Solución de problemas

Problema	Causa	Solución
La máquina no enciende	-El paquete de baterías no está conectado. -El cargador de baterías está encendido. -Las baterías están descargadas. -Se disparó el disyuntor.	-Conecte el paquete de baterías. -Desenchufe el cargador. -Cargue las baterías. -Restablezca el disyuntor.
La máquina no recoge el agua	-El tanque de recuperación está lleno. -La bola del flotante está trabada. -La manguera de la escobilla o el tubo vertical están obstruidos. -La manguera de la escobilla no está conectada. -Los listones de la escobilla están gastados. -Los listones del enjugador están sueltos. -Hay un orificio en la manguera de la escobilla. -Se quemó el fusible del motor de vacío. -El acoplamiento de la escobilla está dañado.	-Desagüe el tanque de recuperación. -Limpie la bola y la pantalla del flotante. -Limpie el tubo vertical y la manguera de la escobilla. -Conecte la manguera de la escobilla. -Invierta o reemplace los listones. -Ajuste el pestillo en la abrazadera de banda. -Reemplace la manguera de la escobilla. -Llame para solicitar mantenimiento. -Llame para solicitar mantenimiento.
Sin caudal de agua	-El filtro de agua limpia está obstruido. -La válvula de agua está cerrada. -Se quemó el fusible de la bomba de agua.	-Limpie el filtro y la pantalla. -Abra la válvula. -Llame para solicitar mantenimiento.
Fugas de agua en el piso con la máquina apagada	-La válvula de administración está sucia o dañada.	-Llame para solicitar mantenimiento.
La productividad es menor que cuando era nueva	-Las baterías están dañadas debido a nivel bajo de electrolito. -Los terminales de la batería están sucios. -Las baterías no están totalmente cargadas. -Las baterías están gastadas.	-Llene todas las celdas con agua destilada, cargue, verifique si mejora. -Limpie los terminales. -Permita que el cargador finalice la carga antes de desenchufar. -Reemplace las baterías.
Limpieza desapareja	-El disco o el cepillo están gastados. -La plataforma de fregado o el acoplamiento están dañados.	-Reemplace los discos o los cepillos. -Llame para solicitar mantenimiento.

## Especificaciones de rendimiento

		Wrangler 2012 AB	Wrangler 2012 DB
Trayectoria de limpieza	mm (in)	508 (20)	
Ø Disco o cepillo	mm (in)	508 (20)	
Ancho del enjugador	mm (in)	825,5 (32,5)	
Capacidad de agua limpia	l (gal.)	45 (12)	
Capacidad del tanque de recuperación	l (gal.)	53 (14)	
Fuerza descendente del ensamble de fregado	kg (lb)	20 (45) 27 (60)	
Velocidad de disco o cepillo	$\frac{n}{\text{min}}$	150	
Caudal de solución	l/min (gal./min)	0 - 2.2 (0 - .6)	
Vacío de recuperación	kPa (en H2O)	11,5 (46)	
Flujo de aire de recuperación	l/s (ft <sup>3</sup> /min)	32 (68)	
Ancho de pasillo mín. para virar	mm (in)	1372 (54)	
Velocidad máxima	km/h mi/h	N/A	Vers l'avant 3,7 (2,3) Rapide 2,25 (1,4)
Grado de funcionamiento máximo	%	2	9
Tiempo de funcionamiento	h	110 Ah AGM: 2,7 130 Ah WET: 3,0	
Potencia del motor de cepillos	W (hp)	380 (0,51)	
Potencia del motor de vacío	W (hp)	380 (0,51)	

## Especificaciones técnicas

		Wrangler 2012 AB	Wrangler 2012 DB
Ancho (sin el enjugador)	mm (in)	559 (22)	
Alto	mm (in)	1067 (42)	
Largo	mm (in)	1321 (52)	
 Peso bruto del vehículo	kg (lb)	235 (518)	212 (468)
 VACÍO	kg (lb)	144 (318)	167 (368)
 TRASLADO	kg (lb)	167 (368)	190 (418)
	°C (°F)	5-45 (40-113)	
Clasificación de protección		IPx2	
	V	24 ---	
Potencia nominal	W	840	
Potencia del motor de cepillos	W (hp)	380 (0,51)	
Potencia del motor de vacío	W (hp)	380 (0,51)	
EN/UL 60335-2-72			
Nivel de presión sonora $L_{pA}$	dB(A)	$\leq 62$	
Nivel de potencia acústica $L_{WA} + K_{WA}$	dB(A)	77	
Vibración de la mano o del brazo	m/s <sup>2</sup>	$\leq 1$	

## Baterías

Baterías	Cant.	Voltios	Ah (20 h)
Batería estándar	2	12	130
Máx. Batería	2	12	110
Dimensiones del compartimiento de baterías largo x ancho x alto mm (in)	329 x 181 x 283 (12.96 x 7.13 x 11.13)		

## Cargador de baterías

Característica	Clasificación
Valores de entrada	100/240 V 50-60 Hz 4.5 A máx
Valores de salida	24 VDC, 13 A
Cant. de curvas de carga	4
Selección de curva	Selección del interruptor dip
Normativa	Informe cULus, CE, CEC

## Almacenamiento

### PROTEGER CONTRA EL CONGELAMIENTO

Almacene la máquina en interiores - 40 ° - 104 ° F (5 ° - 40 ° C).

## Desguace

Póngase en contacto con un proveedor de servicios de desguace calificado para deshacerse de la máquina. Asegúrese de desechar los siguientes materiales de acuerdo con las leyes vigentes:

- Las pilas
- Componentes que contienen plástico
- Componentes eléctricos y electrónicos

## Wrangler 2012 AB & DB

### Componentes comunes de la máquina

#### Ver Figuras 1, 2, 3 y 4.

1. Ventana del cargador de batería. Permite al operador ver el funcionamiento del cargador de batería.
2. Cargador de batería receptivo.
3. Puerto de llenado de solución desde la parte trasera de la máquina.
4. Palanca de presión del motor del cepillo / almohadilla.
5. Envoltura del cable del cargador de batería
6. Pedal del cepillo para subir y bajar el motor del cepillo / almohadilla.
7. Manguera de vacío.
8. Perilla de la escobilla de goma.
9. Pedal para subir y bajar la escobilla de goma. Soporte de la escobilla de goma.
10. Enjugador de goma.
11. Filtro de solución
12. Válvula de solución.
13. Falda Cepillo.
14. Falda.
15. Cepille la palanca de bloqueo del motor para quitar el cepillo / almohadilla.

44

16. Manguera de drenaje del compartimento de la batería.
17. Medidor del sitio del tanque de solución y manguera de drenaje.
18. Depósito de solución.
19. Manguera de drenaje del tanque de recuperación.
20. Tapa de la manguera de drenaje del tanque de recuperación.
21. Tanque de recuperación.
22. Tapa del tanque de recuperación.
23. Interruptor del motor de aspiración.
24. Interruptor del motor del cepillo / almohadilla.
25. Fusible del cargador de batería.
26. Cierre del flotador del tanque de recuperación.
27. Trampa de escombros.
28. Abertura y tapa de llenado frontal del tanque de solución.
29. Compartimento de baterías y baterías.
30. Conector de batería.
31. Motor de vacío.
32. Asa / correa de elevación del tanque de recuperación.

## Componentes de control de la máquina

### Wrangler 2012 DB (Ver Figura 5)

33. Manijas de agarre giratorio. Controla la dirección y velocidad de la máquina.
34. Medidor de batería. Indica la condición / carga de las baterías.
35. Interruptor de llave. Permite la operación de la máquina.
36. Disyuntor de cepillo.
37. Controlador y disyuntor del motor del controlador.
38. Disyuntor del motor de vacío.

### Wrangler 2012 AB (Ver Figura 6)

36. Disyuntor de cepillo.
38. Disyuntor del motor de vacío.
39. Manijas de control.
40. Palanca del interruptor del cepillo / almohadilla. Enciende y apaga el motor del cepillo / almohadilla y la válvula de solución.
41. Medidor de batería / hora. Indica la condición / carga de las baterías y el tiempo que el motor del cepillo / almohadilla está encendido.
42. Interruptor de llave. Permite la operación de la máquina.



## EC DECLARATION OF CONFORMITY



(FR) DECLARATION DE CONFORMITÉ (ES) DECLARACIÓN DE CONFORMIDAD (DE) KONFORMITÄTSEKTLÄRUNG (NL) VERKLARING VAN OVEREENSTEMMING (P) DECLARAÇÃO DE CONFORMIDADE (SV) DEKLARATION OM ÖVERENSSTÄMMELSE (DK) OVERENSSTEMMELSESEKTLÆRING (N) KONFORMITETSEKTLÆRING (FIN) VAATIMUSTENMUKAISUUSVAKUUTUS (GR) ΔΗΛΩΣΗ ΕΝΑΡΜΟΝΙΣΗΣ

NSS ENTERPRISES, INC 3115 FRENCHMENS ROAD TOLEDO OHIO U.S.A. 43607 - 2958 PHONE 419/531-2121

Authorized Technical Documentation Representative; Mark Bevington, NSS ENTERPRISES, INC. Unit 7 Pinfold Business Park, 55 Nottingham Road, Stapleford, Nottingham, NG9 8AD

MACHINE/MACCHINA/MAQUINA/BEZEICHNUNG DER MASCHINE/MAQUINA/MASKIN/KONE/ MASKINE/MHXANH:  
**SCRUBBER-DRYER**

TYPE/TIPO/MASCHINENTYP/TYYPPI/ ΤΥΠΟΣ: **Wrangler 2012 AB, Wrangler 2012 DB**

(EN) NSS ENTERPRISES, INC. declares that the machine specified above fulfills all relevant provisions of the following Directives and Standards:  
(IT) NSS Enterprises, Inc. Dichiaro che il macchinario di cui sopra soddisfa tutte le pertinenti disposizioni delle seguenti direttive e standard:  
(FR) NSS ENTERPRISES, INC déclare que la machine indiquée ci-dessus satisfait à toutes les dispositions pertinentes des directives et des normes suivantes :  
(ES) NSS ENTERPRISES, Inc. Declara que el equipo especificado anteriormente cumple con todas las disposiciones pertinentes de las directivas y normas siguientes:  
(DE) NSS ENTERPRISES, INC erklärt, dass die Maschine oben angegebenen alle einschlägigen Bestimmungen der folgenden Richtlinien und Normen erfüllt:  
(NL) NSS Enterprises, Inc verklaart dat de machine hierboven aangegeven alle relevante bepalingen van de volgende richtlijnen en normen voldoet:  
(PT) NSS ENTERPRISES, INC declara que a máquina especificada acima cumpre todas as disposições pertinentes das directivas e padrões a seguir:  
(SW) NSS Enterprises, Inc. Intygat att maskinen anges ovan uppfyller alla relevanta bestämmelser i följande direktiv och standarder:  
(FI) NSS Enterprises, Inc. Vakuuttaa, että laite edellä täyttää kaikki asiaankuuluvat määräykset seuraavien direktiivien ja standardien:  
(DK) NSS Enterprises, Inc. Erklærer, at maskinen er angivet ovenfor opfylder alle relevante bestemmelser i følgende direktiver og standarder:  
(NO) NSS Enterprises, Inc. erklærer at maskinen er angitt ovenfor oppfylder alle relevante bestemmelser i følgende direktiver og standarder:  
(GR) NSS Enterprises, Inc δηλώνει ότι η μηχανή που περιγράφεται ανωτέρω πληροί όλες τις σχετικές διατάξεις των ακόλουθων οδηγιών και προτύπων:

EU Directives/direttive UE/directives de l'UE/Directivas de la UE/EU-Richtlinien/EU-richtlijnen/directivas da UE/EU-direktiv/EU-direktiivit/EU-direktiver/EU-direktiver/οδηγίες της Ε.Ε.:

**2006/42/EC Machinery Directive 2014/30/EU EMC Directive 2002/44/EC Vibration Directive**

Harmonized Standards/ Standard armonizzati/ normas armonizadas/ Normas armonizadas/ Harmonisierte Normen/ geharmoniseerde normen/ normas armonizadas/ harmoniserade standarder/ yhdenmukaistettujen standardien/ harmoniserede standarder/ harmoniserte standarder/ εναρμονισμένα Πρότυπα:

**EN12100-1, EN12100-2, ISO11201, EN55012, IEC61000-6-2, EN60335-2-72, ISO2631-1, ISO5349-1/-2, EN62233**

This declaration shall cease to be valid if modifications are made to the machine without our approval./ Questa dichiarazione non è più valida in caso di modifiche apportate alla macchina senza il nostro consenso./ Cette déclaration cessera d'être valable si des modifications sont apportées à la machine sans notre accord./ Esta declaración dejará de ser válida si se realizan modificaciones en la máquina sin nuestra aprobación./ Diese Erklärung gilt nicht mehr gültig sein, wenn Änderungen an der Maschine ohne unsere Zustimmung vorgenommen werden./ Deze verklaring verliest haar geldigheid wanneer wijzigingen worden aangebracht aan de machine zonder onze goedkeuring./ Esta declaração deixará de ser válido se as modificações são feitas para o aparelho sem a nossa aprovação./ Denna förklaring skall upphöra att gälla om ändringar görs på maskinen utan vårt godkännande./ Tämä ilmoitus lakkaa olemasta voimassa, jos tehdään muutoksia koneeseen ilman meidän hyväksyntää./ Denne erklæring ophører med at være gyldige, hvis der foretages ændringer på maskinen uden vores godkendelse./ Denne erklæringen skal ophøre å være gyldig dersom modifikasjoner på maskinen uten vårt samtykke./ Η δήλωση αυτή παύει να ισχύει, αν έχουν γίνει τροποποιήσεις στο μηχανήμα χωρίς την έγκρισή μας.

It is ensured through internal measures that series-production units conform at all times to the requirements of current EU Directives and relevant standards./ Si è assicurata da misure interne che serie unità di produzione sono conformi in ogni momento alle esigenze delle attuali direttive CE e alle normative applicate./ Elle est assurée par des mesures internes que les séries unités de production sont conformes en tout temps aux exigences des directives européennes et les normes actuelles pertinentes./ Se garantiza a través de medidas internas que las unidades de producción en serie ajustarse en todo momento a las necesidades de las actuales directivas de la UE y las normas pertinentes./ Es ist durch interne Maßnahmen, die Serien-Geräte entsprechen jederzeit den Anforderungen der aktuellen EU-Richtlinien und den angewandten Normen entsprechen./ Het wordt gewaarborgd door interne maatregelen die serie-productie-eenheden te allen tijde te voldoen aan de eisen van de huidige EU-richtlijnen en relevante normen./ É assegurado através de medidas internas que as unidades de produção em série conformam em todos os momentos com os requisitos das Directivas actuais da UE e padrões relevantes./ Det säkerställs genom interna åtgärder som serietillverkade enheterna överensstämmer alltid med kraven i gällande EU-direktiv och relevanta standarder./ Se on varmistettu sisäisiä toimenpiteitä että sarjatuotantoyksiköt täyttävät aina vaatimuksiin nykyisten EU-direktiivien ja asiaankuuluvat standardit./ Det sikres gennem interne foranstaltninger, som serie-produktionsenheder opfylder til enhver tid til kravene i de nuværende EU-direktiver og relevante standarder./ Det er sikret gjennom interne tiltak som serierproduserte enhetene samsvarer til enhver tid til kravene i gjeldende EU-direktiver og relevante standarder./ Διασφαλίζεται μέσω εσωτερικών μέτρων που μαζικής παραγωγής μονάδες συμμορφώνονται ανά πάσα στιγμή με τις απαιτήσεις των ισχυουσών οδηγιών της ΕΕ και των σχετικών προτύπων.

Toledo, Ohio USA 07-2017

President, NSS ENTERPRISES, Inc.

Mark J. Bevington



NSS Enterprises, Inc.  
3115 Frenchmens Road  
Toledo, OH 43607-2958  
USA

(800) 677-1663  
(419) 531-3761

[mailus@nss.com](mailto:mailus@nss.com)