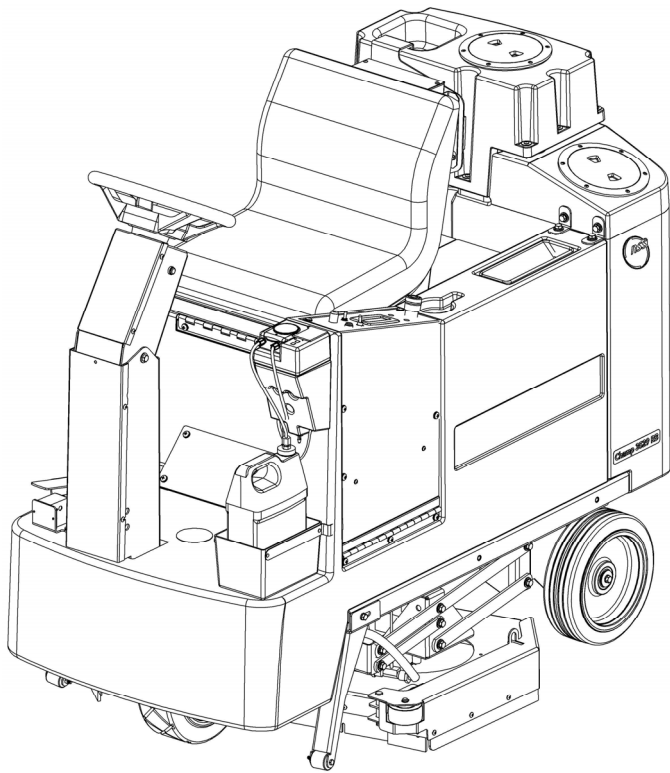
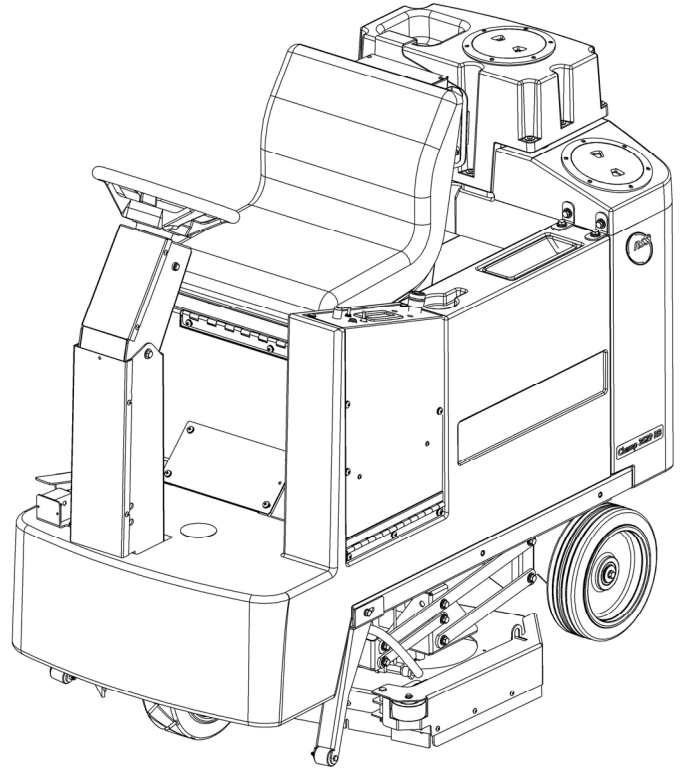


# CHAMP 3529 RB Scrubber-Dryer



# IMPORTANT SAFETY INSTRUCTIONS

## SAVE THESE ORIGINAL INSTRUCTIONS (EN)



**WARNING** Read these original instructions prior to initial use of the machine.

**2%** This appliance has been approved for normal cleaning use on surfaces with gradients up to 2%.

**13%** Maximum transport climbing grade 13%, do not park on slopes greater than 2%.

### Safety Equipment

This appliance is equipped with devices to protect the user, and must not be rendered inoperable or bypassed.

### Emergency Stop Button

To halt all functions immediately, press the emergency stop button.

- The machine will come to a sudden halt.
- All functions will stop.
- Twist the emergency stop button to return it to normal operation.

### Operator Presence Device

- Disables drive functions if the user is not seated on the machine's seat.

### INTENDED USE

This machine is intended for indoor COMMERCIAL USE, for example in hotels, schools, hospitals, factories, shops, offices and rental businesses. NSS does not recommend using these machines for any other purpose.

### GENERAL DESCRIPTION OF MACHINE

Ride on floor scrubber-dryer with traction drive.

### Symbols used in these instructions



Operation Manual



**DANGER** – Immediate danger that can cause severe injury or even death.



**WARNING** – Possible hazard that could lead to severe injury or event death.



**CAUTION** – Possible hazard that could lead to mild injury or damage to property.



Read the Operator Manual.



No smoking, open flames, or sparks near batteries.



Batteries - acid and hydrogen gas.



Poison. Causes severe burns. Avoid contact.



Recycle packaging.



Dispose of equipment through suitable collection systems.



### IMPORTANT SAFETY INSTRUCTIONS

ALL REPAIR SERVICE MUST BE PERFORMED BY AN NSS AUTHORIZED DISTRIBUTOR / SERVICE STATION USING ONLY NSS ORIGINAL EQUIPMENT PARTS.

- This machine is not intended for use by persons (including children) with reduced physical, sensory or mental capabilities, or lack of experience and knowledge.
- Children should be supervised to ensure that they do not play with the appliance.
- Machines left unattended shall be secured against unintentional movement – switch off and remove the key.

- Remove the key to prevent unauthorized use.
- **WARNING** Operators shall be adequately instructed on the use of this machine.
- **WARNING** Disconnect the battery connector when performing cleaning, maintenance, part replacements, or repairs.
- **WARNING** Do not use for cleaning purposes on surfaces having a gradient exceeding that marked on the machine.
- **ALWAYS** be sure that the ramp is secured to the vehicle before attempting to load / unload.
- **ALWAYS** use extreme caution when operating the machine on a ramp or loading / unloading this machine into or out of a truck / trailer. Use extreme caution if the ramp is wet, oily, or covered with cleaning chemicals.
- **NEVER** stop or turn the machine on a ramp or incline.
- **CAUTION** Turn off key switch before changing pads/brushes.
- **WARNING:** This product contains a chemical known to the state of California to cause cancer and birth defects or other reproductive harm.
- **NEVER** attempt to operate this machine if it is not working properly or has been damaged in any manner.
- **NEVER** disconnect or modify any switches or safety devices (circuit breaker).
- **NEVER** drop or insert any object into any machine opening.
- **NEVER** operate this machine with any air opening blocked. Keep all air openings free of dust, lint, hair, etc.
- **NEVER** pick up anything that is burning or smoking, such as cigarettes, matches or hot ashes.
- **NEVER** spray this machine with water or any liquids.
- **NEVER** allow the vacuum motor or battery charging plug to get wet or a short may occur.
- **NEVER** operate this machine when the battery charger is plugged in.
- **NEVER** operate this machine with the side skirt removed.
- **NEVER** turn on machine unless sitting in the operator's seat.
- **NEVER** climb on machine when it is turned on.
- **NEVER** use machine to transport passengers other than the operator.
- **ALWAYS** wear clean tennis shoes or "non-slip" shoes. Leather soled shoes will be extremely slippery when wet.
- **ALWAYS** keep face, fingers, hair or any other body part or loose clothing away from any machine opening or moving part (revolving brush, pad driver, or vacuum motor).
- Use only OEM accessories and spare parts.
- **USAGE:**
- **CAUTION** This machine is for inside use only.
- This machine is only to be used for the cleaning of hard surfaces that are not sensitive to moisture or polishing operations.
- This machine is not suitable for cleaning frozen surfaces (cold storage).
- Do not operate this machine in water exceeding 3/8 in (1 cm) depth.
- This machine is not intended for use in public traffic routes/roads.
- Do not use this machine on surfaces that are sensitive to pressure.
- **WARNING:** Fire or explosion hazard. Never operate this machine in an explosive atmosphere (grain dust, flammable liquids or fumes, etc.).

- **WARNING:** Fire or explosion hazard. Never attempt to pick up flammable or combustible materials or use such materials in tanks.
- Orange Oil (D-limonene) is not compatible with the plastics used in NSS automatic scrubbers and the Sidekick Chemical Metering System. Use of D-limonene may result in damage to the machine.
- **WARNING** Do not use flammable liquids.
- Only use cleaning detergents free from solvents, hydrochloric acid and hydrofluoric acid.
- Do not use high foaming detergents.
- **STORAGE:**
- **CAUTION** This machine shall be stored indoors only.
- **NEVER** park or store the machine near a dock, on ramps, near a furnace, boiler, open flame, or other high heat source.
- **NEVER** allow this machine to freeze.
- **NEVER** expose the machine to rain, snow, or extreme temperatures.
- **NEVER** store any items on the machine.  
Operating temperature range: 40° - 104°F (5° - 40°C)
- **Personal Protective Equipment:**
  - Follow safety instructions provided with the cleaning detergents.
  - Follow detergent manufacturer's instructions regarding Personal Protective Equipment.

#### BATTERIES SAFETY INFORMATION



- **WARNING** Failure to observe these warnings can cause personal injury to machine, operator, or bystanders.
- **WARNING** Batteries emit hydrogen, which can cause fire or explosion.
- **NEVER** smoke, light a match, or cause a spark during operation or charging.
- **ALWAYS** charge in a well-ventilated area away from open flame.
- **ALWAYS** read and understand all instructions before installing or charging batteries.
- **NEVER** attempt to install or charge batteries unless you have been trained to do so.
- **NEVER** allow an untrained person to install or charge batteries.
- **ALWAYS** wear eye protection and protective clothing to avoid contact with battery acid.
- **ALWAYS** remove all jewelry when working on or near the batteries.
- **ALWAYS** turn off all switches during installation and service.
- **ALWAYS** disconnect the battery leads before performing any service or repair.
- **NEVER** Lay anything on top of batteries as arcing may occur.
- **IF CONTACT WITH BATTERY ACID OCCURS**, follow these instructions:
  - SKIN – rinse area with water.
  - EYES – Flush with water for 15 minutes.
  - INTERNAL – Drink water or milk. Follow with Milk of Magnesia, beaten egg or vegetable oil. Call a physician immediately.

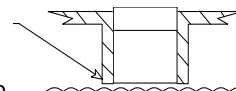
#### BATTERY INSTALLATION

- **ALWAYS** use two people to install, as batteries are heavy.
- **ALWAYS** turn off all machine switches.
- **ALWAYS** position batteries as shown on the machine installation decal to maintain machine balance.

- **ALWAYS** connect batteries as shown on the machine installation decal to avoid shorting out the batteries and the electrical system.

#### BATTERY CHARGING SAFETY

- **ALWAYS** read instructions carefully.
- **ALWAYS** use the NSS supplied charger with proper voltage rating.
- **ALWAYS** plug the charger into an earthed socket outlet.
- **NEVER** charge a frozen battery.
- **NEVER** touch uninsulated portion of output connector or uninsulated battery terminal.
- **ALWAYS** disconnect the AC supply before making or breaking the connections to the battery while charging.
- **NEVER** operate charger if the AC supply cord is damaged or if the charger has received a sharp blow, been dropped, or otherwise damaged in any way.
- **ALWAYS** recharge the batteries after each use, leave the charger plugged into the wall outlet when the machine is not in use.
- **For Flooded lead acid batteries only, (does not apply sealed maintenance free batteries).**
  - **ALWAYS** check to ensure the battery water level covers the battery plates before charging.
  - **ALWAYS** check water level after charging and add distilled water if necessary, to bring level to the bottom of the fill hole.
  - **NEVER** overfill batteries as battery and machine damage may result.
  - **ALWAYS** wipe any acid from the top of batteries using a soap solution.
  - **ALWAYS** study battery manufacturers' specific precautions such as recommended rates of charge.
  - **ALWAYS** reattach caps to batteries. Do not charge with caps loose or removed.
  - **ADD** only distilled water.



#### GROUNDING OF ELECTRICAL EQUIPMENT BATTERY CHARGER

- **WARNING:** Improper connection of the equipment–grounding conductor can result in a risk of electric shock. Check with a qualified electrician or service person if you are in doubt as to whether the outlet is properly grounded. Do not modify the plug provided with the charger. If outlet is not suitable for safe use; have a properly grounded outlet installed by a qualified electrician.
- Always use a properly grounded 3-wire extension cord, which has male and female plugs. If 25 foot [7.6m] extension cords are used, the electrical carrying capacity should be no less than 14-3 ST., 50 foot [15.2m] extension cords no less than 12-3 ST

#### GROUNDING INSTRUCTIONS

This charger shall be grounded while in use to protect the operator from electric shock. The charger is provided with a three-conductor cord and a three-contact grounding type attachment plug. The plug must be plugged into an appropriate outlet that is properly installed and grounded in accordance with all local codes and ordinances. The green conductor in the cord is the ground wire. Never connect this wire to other than the grounding pin of the attachment plug.

Check nameplate on the charger to be sure voltage and cycle stated is the same as the electrical outlet. Do not attempt to plug a 120-volt charger into a 240-volt outlet or a 240-volt charger into a 120-volt outlet. If the cord provided with the charger has an attachment plug as shown in Figure A. below, it

is intended for use on a nominal 120-volt circuit. If a properly grounded receptacle as shown in Figure A is not available, an adaptor may be installed as shown in Figure B if the outlet box that houses the receptacle is grounded. Be sure to fasten the grounding tab (the green colored rigid ear, lug or the like extending from the adaptor) with a metal faceplate screw.

If the cord provided with the charger has an attachment plug as shown in Figure C, it is intended for use on a nominal 240-volt circuit (single phase only). Changes to the attachment plug or use of adaptors to other plug types must be done in accordance with local regulations.

Figure A.

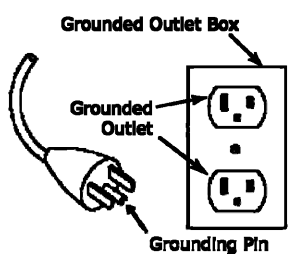
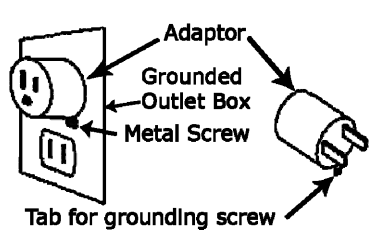
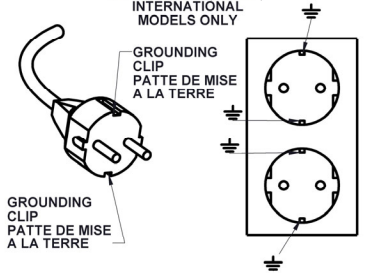


Figure B



NOTE: In Canada, the use of a temporary adaptor may not be permitted by Canadian electrical code.

FIGURE C  
230V NOMINAL / 50-60HZ  
1-PHASE  
SHUKO CORD (TYPE F)  
INTERNATIONAL  
MODELS ONLY



**Scraping**

Contact a qualified scraping service provider to dispose of the machine.

Ensure the following materials are scrapped according to the Laws in force:

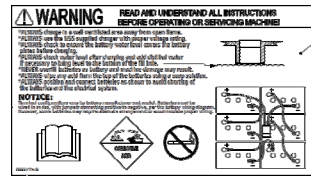
- Batteries
- Plastic containing components
- Electrical and electronic components

**MARKINGS**

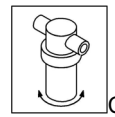
<p><b>⚠ WARNING:</b> THIS PRODUCT CAN EXPOSE YOU TO CHEMICALS INCLUDING (LEAD AND LEAD COMPOUNDS), WHICH IS KNOWN TO THE STATE OF CALIFORNIA TO CAUSE CANCER, BIRTH DEFECTS OR OTHER REPRODUCTIVE HARM. FOR MORE INFORMATION GO TO <a href="http://www.P65Warnings.ca.gov">www.P65Warnings.ca.gov</a>.</p>	<p><b>⚠ ADVERTENCIA:</b> ESTE PRODUCTO PUEDE EXPONERTE A PRODUCTOS QUÍMICOS, INCLUIDO (PLOMO Y COMPUESTOS DE PLOMO), QUE SE CONOCE AL ESTADO DE CALIFORNIA A CAUSAR CÁNCER, DEFECTOS DE NACIMIENTO O OTROS DAÑOS REPRODUCTIVOS. PARA MÁS INFORMACIÓN IR A <a href="http://www.P65Warnings.ca.gov">www.P65Warnings.ca.gov</a>.</p>	<p><b>⚠ AVERTISSEMENT:</b> CE PRODUIT PEUT VOUS EXPOSER AUX PRODUITS CHIMIQUES INCLUANT (PLOMB ET FLOMBES), QUI EST CONNU DE L'ÉTAT DE LA CALIFORNIE POUR CAUSER CANCER, DÉFAUTS DE NAISSANCE OU AUTRES DAÑGES REPRODUCTEURS. POUR PLUS D'INFORMATIONS ALLER A <a href="http://www.P65Warnings.ca.gov">www.P65Warnings.ca.gov</a>.</p>
--	---	--

California

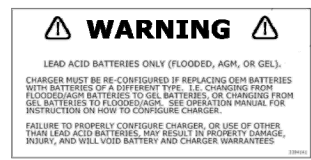
Prop 65 Warning.



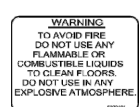
Battery Connections.



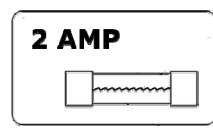
Clean Water Strainer.



Warning-Configure battery charger when replacing batteries.



Warning-Do not use flammable or combustible liquids. Do not use in any explosive atmosphere.



Fuse rating 2 amperes.



Main Circuit Breaker



Scrub Deck Actuator Circuit Breaker



Squeegee Actuator Circuit Breaker



Horn



Clean Water/Solution Flow Control



Read the Operator Manual

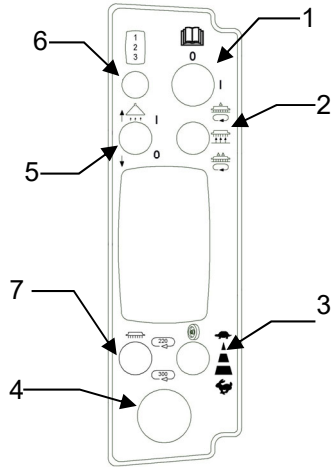
# MACHINE INSPECTION

- Now that the machine is unpacked remember to recycle all packing materials.
- Inspect the machine for damage or missing components. If damage is found, contact the local freight company to file a freight claim.
- Inspect squeegee assembly for concealed damage.

# MACHINE COMPONENTS

## CONTROL PANEL

The operator control panel is located to the left of the operator's seat. This panel has components that control various machine functions. See diagram below.



**1 Key Switch** - key must be turned to the right to activate machine.

**2 Brush Switch** - 3 positions, 3 functions:

- Up is on, lowering brushes to light pressure.
- Middle is off, raising brushes.
- Down is on, lowering brushes to heavy pressure.
- Brushes only come on when machine is moving in forward or reverse.

**3 Traction Speed Switch** - 2 Positions:

- Down is high speed.
- Up is low speed.

**4 Emergency Stop Button**

- Push for off.
- Turn for on.

**5 Vacuum Switch** - 2 positions; 2 functions:

- Up is on, lowering squeegee.
- Down is off, raising squeegee.
- Squeegee automatically rises in reverse.

1  
2  
3

**6 LCD Push Button** - Toggles between display screens. Defaults to screen 1 when turned on.

**7 Brush Speed** - 2 positions

- Up rotates the brushes at 220 RPM.
- Down rotates the brushes at 300 RPM.

**LCD Display Screen** - brightly lit to work in all lighting situations.

**Tilt Steering Column Knob**

- Adjust the angle of tilt

**Foot Pedal Knob**

- Controls variable speed forward and reverse.

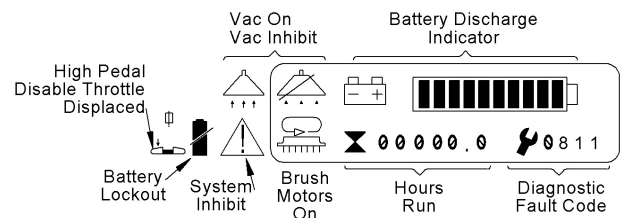
**Sidekick Chemical Metering System (optional)**

Controls for chemical dispensing are located on the Pump Control Panel.

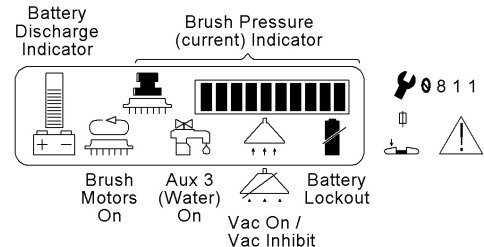
## THE DISPLAY SCREENS

There are many symbols that can be displayed on the LCD. Therefore, the LCD Push Button can be used to toggle between pre-defined screens.

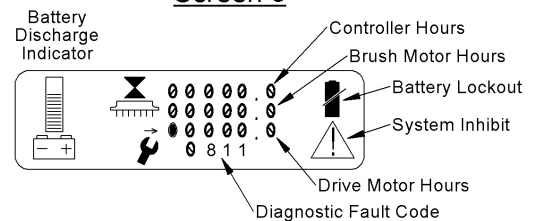
### Screen 1



### Screen 2



### Screen 3



# MACHINE OPERATION

## General Information

The CHAMP 3529 is very maneuverable and is designed to clean as you drive the machine. Follow these steps to prepare the machine for daily operation.

- **Always** sweep or dust mop the floor of debris before scrubbing. You may also need to **preclean** some types of spills or stains before scrubbing.
- Plan your work so that you make long, straight paths with the fewest amount of turns as possible.
- Remove as many obstacles as possible from the area to be cleaned.
- Place "Wet Floor" warning signs in area being cleaned.
- Consult your local NSS distributor for more complete procedures and chemical advice.

## Preparing the Machine for use

### Prepare the Solution Tank:

- Never use water over 140° F (60° C).
- Pour all liquids through the mesh filter at the left side of the solution tank.
- Fill with clean water, up to 29 gallons [110 L].
- Add the cleaning chemicals to the solution tank.

### Prepare the Recovery Tank:

- Always use a defoamer to protect the vacuum motor of this machine. We recommend that you add at least 4 to 6 ounces [120mL to 175mL] of defoamer chemical.
- Vacuum the defoamer into the recovery tank through the vacuum hose.
- Make sure that the drain plug of the recovery tank hose is closed tightly.

### Install a Pad Driver and Pad:

- There is a wide range of pads or brushes available for the many cleaning applications of this machine. See the "Accessories" page in the Parts List manual.
- Pull pin and open skirt.
- Turn the pad driver upside down on the floor and remove the pad holding cup.
- Remove the center cutout of the 17" [43cm] pad and place the pad on the face of the pad driver.
- The pad *must be centered* on the driver to prevent wobbling or bouncing.
- Install and secure the pad holding cup to the pad driver. Turn the pad driver over so that the pad faces the floor.
- Raise the brush motor into the transport position (center position of switch).
- Align the lugs of the pad driver with notches of the drive casting.
- Turn the pad driver to lock onto the drive casting.
- Close the locking latch.
- Close the skirt.
- Repeat for the other side.

### Install a Brush:

- Pull pin and open skirt.
- Raise the brush motor into the transport position.
- Align the lugs of the brush with the notches of the drive casting.
- Turn the brush to lock onto the drive casting.
- Close the locking latch.
- Close the skirt.

### Install the Squeegee Assembly:

- Loosen the two mounting knobs and slide the squeegee assembly onto the mounting plate.
- Hand-tighten the mounting knobs. Do **not** use pliers to tighten the knobs, as this will defeat the "breakaway" design.
- As the machine is used, the squeegee blades wear out, and need to be replaced due to damage.
- Squeegee blades should lie over (like a window squeegee) whenever the machine is moving forward.
- Do not add any weights or other pressure to the squeegee mechanism; it will not improve the performance or service life.
- The squeegee rises automatically when the machine is in reverse.
- Squeegee springs add pressure to floor. There are 3 adjustments available by moving the end of the spring closest to the frame from hole to hole. More pressure is added the further away the hole is from the center point. When changing the pressure always move **both** sides, using the same distance (hole) on each side.
- It is recommended that, with new blades, the rear wheels be adjusted to their lowest position. Loosen the two screws on the bracket rotate the bracket downward as far as it will go, then tighten the screws. Perform this adjustment on both wheels/brackets.
- When the squeegee becomes worn, and the wiping edge no longer contacts the floor properly, further use may be possible by adjusting the rear wheels upward enough to restore proper engagement of the blades wiping edge with the floor. Be sure to adjust the wheels back down fully when a new blade is installed.

**NOTE:** Remove squeegee, brushes or pad drivers, and side skirts if transporting to different places or loading / unloading into a truck or trailer.

### Install the batteries:

- Turn off all switches and tilt the battery compartment lid open to expose battery compartment.
- Batteries are heavy - use two people to install.
- Refer to wiring diagram inside the battery compartment. Align batteries in compartment as shown on diagram.
- Install battery cables as shown on wiring diagram.
- Tighten bolts and hex nuts with a wrench.

**Caution:** Do not touch two terminals with a wrench.

- Loose or improper battery connections will cause battery or machine damage and possible personal injury.

### Charge the batteries before use!

#### Battery Charging

- To recharge the batteries plug the charger cord, located at the rear of the machine, into an electrical outlet (100/115/230 50/60 HZ VAC).

**CAUTION: Make sure the battery type LED on the charger matches the type of battery installed in your machine! EXCEPTION-CROWN AND TROJAN AGM'S TO BE CHARGED WITH GEL SETTING.**

- When the cord is plugged into an outlet the machine will become disabled.
- See Battery Charger section for more details.

## Prepare the Sidekick Chemical Metering System (if equipped)

**\*\*\*CAUTION: Purging the Sidekick lines may dispense a small amount of the chemical directly onto the floor. If using wax stripper or harsh chemicals, purge the lines in an area that cannot be damaged by the chemical in use.**

- Place a container filled with the desired cleaning chemical into the bottle holder located at the front of the machine.
  - The bottle holder accepts F-style rectangular containers, and some smaller round containers.
  - Empty F-style containers are available from NSS, order part #9590171.
- Ensure all hose fittings are tight, then insert the suction tube into the chemical bottle, and tighten the cap.
- Turn on the Scrubber then press the ON button on the Sidekick. The ON indicator will illuminate.
- Press and hold the PURGE button on the Sidekick until you see the supply line to the pump filled with the chemical.
- Select the desired dilution ratio as recommended by the chemical manufacturer.
- The Sidekick is ready for use.

### To Change Chemicals

- Loosen the cap on the chemical bottle, and remove the suction line from the chemical bottle.
- Dispose or store any remaining chemical according to local and federal regulations.
- Place the suction line into a container of clean water.
- With the machine over a floor drain, press and hold the purge button until the clean water is drawn thru the pump and dispensed at the brushes.
- Remove the suction line from the container of clean water. Replace the container of clean water with a container of the desired chemical, and install the suction line.
- Press and hold the Purge button until chemical is seen being drawn up to the pump, and pumping down the tube from the pump to the tee fitting below the machine.
- **After each use, always flush the Sidekick lines with clean water** to prevent dried chemical from accumulating in the lines.

## MACHINE MAINTENANCE

### Daily Maintenance

- You must recharge the batteries when indicated by the battery meter, and after every use. Read the battery meter while the machine is in use.
  - \*350 Ah batteries normally require 14 ½ - 16 ½ hours to fully charge.
- **NEVER** let the batteries sit overnight after the machine has been run for more than 1 hr since last recharge.
- **See Battery Charger section.**

### Battery Electrolyte (Liquid) Level (Flooded only)

- Add only distilled water to the cell of a battery (**Flooded only**) to adjust the liquid level. **Do not** use well or tap water. Before charging, add only enough water to ensure

the top of the plates are covered. After charging, add only enough water to bring the level to the bottom of the fill tube.

- **Do not** overfill the battery liquid level, this will cause electrolyte (acid) spill. Spilled electrolyte (acid) can cause machine damage and personal injury. Clean up and dispose of all spills immediately.
- If machine is equipped with battery Auto-Fill system, fill batteries prior to charging.
- Empty and rinse clean the recovery tank.
- Remove and rinse clean the squeegee assembly.
  - \*\*\*NOTE: prolonged exposure to some wax stripper brands may degrade the squeegee material. Rinsing after use in a wax floor stripping application is highly recommended.
- Remove and rinse clean the pad driver and / or brush.
- Inspect the machine components for wear or damage. Call authorized service center for repairs.
- Wipe machine down; **NEVER** spray this machine with water or any liquids.
- Inspect the squeeze tube in the Sidekick Chemical Metering System for cracks or leaks.

### Sidekick Chemical Metering System

- Purge the lines with clean water after each use.
- The squeeze tube under the see-through cover on top of the pump requires periodic replacement approximately every 500 hrs (depending on chemicals used).
- To replace the squeeze tube:
  1. Remove ferrule nuts from pump.
  2. Unscrew pump cover, exposing the squeeze tube.
  3. Remove damaged squeeze tube and replace with new squeeze tube.
  4. A screwdriver can be inserted in the spinner hub and rotated as the tube is being replaced to ease insertion. It is important not to twist the tube as it is being inserted and the fittings should be inserted "flat side up"
  5. Add grease from the included packet.
  6. Re-install cover and resume normal operation

### Weekly Maintenance (Every 20 Hours)

- Verify that all daily maintenance has been performed.
- Inspect the battery liquid level; using only distilled water, adjust to the proper level as needed. (**Flooded only**)
- NOTE: If optional auto fill system is installed, follow the directions that come with this system.
- Check all battery terminal and cable connections. Tighten as deemed necessary.
- Clean any corrosion from the battery terminals and cables.
- Check the solution flow to the pad driver and / or brush. Flush clean the solution tank and hose with a mixture of 8 oz. (250mL) of white vinegar to 1 gallon (4 liter) of warm water.
- Inspect filters.

**\*\*\*\*CAUTION\*\*\*\***

Inspect and replenish battery water in every cell in every battery weekly. Failure to maintain proper electrolyte



level in every cell of every battery will cause premature battery failure, and void the warranty.

#### **Monthly Maintenance (Every 100 Hours)**

- Verify that all daily and weekly maintenance has been performed.
- Equalize your batteries (**Flooded only**). To equalize the batteries, after they have been fully charged, unplug the charger (from the wall outlet), and plug it back in. The charger will skip thru the first few phases of the charge cycle, and run thru the finish phase. This will balance out all the cells in the batteries, and provide maximum battery life. **THIS STEP IS ESPECIALLY IMPORTANT IF YOU PRACTICE OPPORTUNITY CHARGING (see page 10).**
- Clean filters by rinsing with cool, clear water. Dry Completely.

#### **After every 750 Hours of Operation:**

- Inspect the drive motor carbon brushes for wear. Replace the brushes when they are 3/8 in. (9mm.) in length.
- Inspect the brush drive motor carbon brushes for wear. Replace the brushes when they are 1/2 in. (13mm.) in length.
- Inspect the vacuum motor carbon brushes for wear. Replace the brushes when they are 7/16 in. (11mm.) in length.

#### **Battery Replacement Notes**

- Entire Pack.
  - It is always recommended to replace all batteries in the pack at the same time.
- One or more batteries out of the pack. This is not recommended. Replacing just one or two batteries out of the pack can lead to the following:
  - Overcharging the new, or the remaining original, batteries.
  - Undercharging the new, or remaining original, batteries.
  - Over discharging either the new or the remaining original batteries.
- If you wish to only replace some of the batteries in the pack, follow these steps for best results:
  - Replacement batteries must always be of the same battery manufacturer, model, and amp-hour rating as the remaining batteries in the pack.
  - Never mix batteries from different manufacturers in the same pack.
  - Fully charge both the new battery, and the remaining original batteries. (specific gravity = 1.265 minimum, use a hydrometer)
  - Use a replacement battery that is close to the same age as the remaining original ones.
  - Do not run the machine as long for about 20 cycles. For example, if you used to get 4 hrs runtime, only run it for 2.5 hrs, and then charge the batteries completely.
  - Opportunity charge whenever possible.
  - Equalize after 30 days. (**Flooded only**)
  - The above steps will provide the best opportunity for the new battery(s) to join the pack.

## **Battery Charger**

The onboard battery charger supplied with this machine is capable of charging lead acid batteries from 185 to 350ah capacity. There is no need to change algorithms or settings based on battery manufacturer, or battery size.

The charger can also be set to charge flooded (wet) cell, AGM, or Gel batteries. LED's on the charger indicate which type of battery the charger is set to charge. One setting is for Flooded and (most) AGM batteries, the other setting is only for Crown AGM and GEL batteries. Depending on the battery charger model, the charger can operate on 100/115/230 VAC 1ph 50/60 HZ power, and will automatically detect these input voltages. Before connecting the battery charger to power, check the label on the battery charger to verify the proper input power.

### **Determining Your Battery Type**

**CAUTION: DIFFERENT BATTERY TYPES HAVE DIFFERENT CHARGING REQUIREMENTS. FAILURE TO PROPERLY IDENTIFY YOUR BATTERY TYPE AND SET THE CHARGER ACCORDINGLY WILL RESULT IN BATTERY DAMAGE, AND VOID THE WARRANTY.**

Your machine may have been ordered with batteries installed at the NSS factory. The standard battery type, normally supplied by NSS, is the flooded (wet) cell lead acid battery. Gel and AGM sealed batteries may also be available at customer request.

Flooded (wet) batteries can be easily identified by the removable cell caps. Removing the caps allows inspection of the liquid electrolyte (sulfuric acid) level in each cell.

AGM (Absorbed Glass Mat) batteries are sealed, maintenance free batteries. They do not have cell caps intended for removal. Look for "**AGM**" printed on the tops or sides of the batteries.

Gel (gelled electrolyte) batteries are also sealed, maintenance free batteries. They do not have cell caps intended for removal. Look for "**GEL**" printed on the tops or sides of the batteries.

### **Battery Charger Indicator LED's**

Your battery charger is equipped with LEDs that indicate the following:

- Battery Type Setting. Either of these two LEDs will be illuminated, anytime the charger is plugged in, to signal which type(s) of batteries the charger is configured to charge. The two options available are:
  - Wet / AGM: When this LED is illuminated, the charger is configured to charge either flooded (wet), or (most) AGM batteries.
  - Gel Cell. When this LED is illuminated, the charger is configured to charge Gel batteries ONLY. **EXCEPTION: Crown and Trojan AGMs are to be charged with the Gel setting.**
- State of Charge Indicators. Four additional LEDs provide information about the charge level of the batteries during charging.
  - 30%, 60%, 90% and 100%.



- Fault Indications. During charging, the charger provides feedback about the charge process and any problems detected. It will provide feedback and signal

the type of problem by flashing LEDs as described below:

Wet/AGM (Amber)	Gel Cell (Amber)	30 (Red)	60 (Red)	90 (Red)	100 (Green)	Meaning
On	Off					Charger is set for Wet/AGM batteries.
Off	On					Charger is set for Gel batteries.
One light on*		On	Off	Off	Off	Charger cycle is in process - bulk stage
One light on*		On	On	Off	Off	Charger cycle is in process - bulk stage
One light on*		On	On	On	Off	Charger cycle is in process - absorption stage
One light flashing*		Off	Off	Off	Flashing	Charger nearing the end of the charge cycle.
One light on*		Off	Off	Off	On	Charge cycle is complete.
One light on*		Flashing	Off	Off	Flashing	Damaged battery detected. One or more batteries failed to complete the charge cycle. Check battery water levels. Batteries can be used, but will not provide full run time.
One light on**		3-Flashes	Off	Off	1-Flash	No batteries detected. Check that the battery pack is plugged into the machine. Check wiring. Also this is normal for DeltaView.
One light on*		Flashing	Flashing	Off	Off	Batteries failed to climb above 1.74 volts per cell within the first three hours of charging. The batteries are damaged and will need to be replaced.
One light on*		Off	Flashing	Flashing	Off	Charge cycle time out. The charge cycle did not finish in the allowed time. Check the battery water levels. Unplug the charger and plug it back in. Allow the batteries to charge again. If the code is repeated, then it is likely that the batteries are damaged.
One light on*		Flashing	Flashing	Flashing	Off	Charge cycle time out. The charge cycle did not finish in the allowed time. Check the battery water levels. Unplug the charger and plug it back in. Allow the batteries to charge again. If the code is repeated, then it is likely that the batteries are damaged.
One light on*		Flashing	Off	Flashing	Off	Internal over temperature. The charger's internal temperature exceeded the maximum permitted. If possible, move the machine to a cooler location. Unplug the charger and plug it back in. Allow the batteries to charge again.

\* The light that is on depends on the charger configuration (Wet/AGM or Gel Cell)

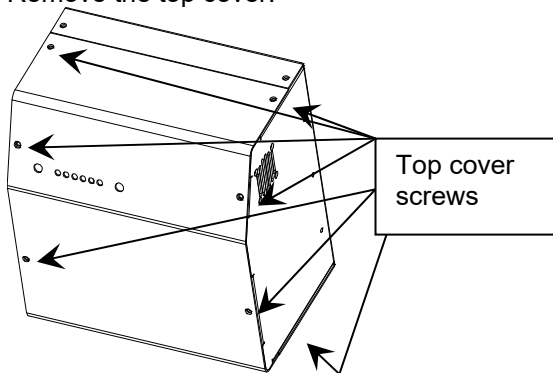
\*\* The light (Wet/AGM or Gel Cell) will only stay on for two seconds

### Changing the Battery Type Setting

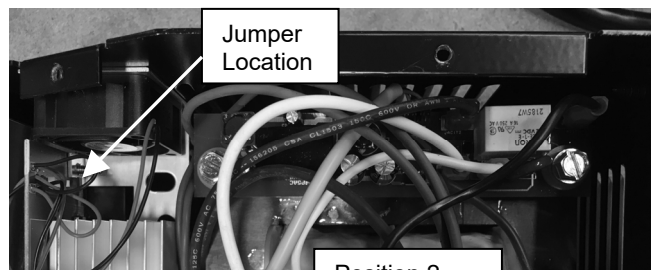
The standard setting for the onboard battery charger is Flooded/AGM. EXCEPTION: If your machine was ordered from NSS equipped with Crown AGM or Gel batteries, then the charger was configured for Gel batteries at the factory.

#### Configuring the Charger for Gel batteries:

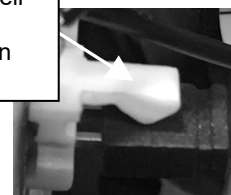
1. Remove the top cover.



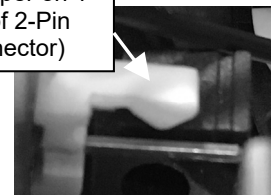
2. Pull the jumper off the 2-pin connector (position 1), and then move the jumper to position 2 on only one pin of the 2-pin connector. See photo below.
3. Reinstall the top cover.



Position 1  
For Wet Cell  
(Default)  
(Jumper on  
both pins)



Position 2  
For Gel Cell  
(Jumper on 1  
Pin of 2-Pin  
Connector)



#### Configure the Charger for Flooded/AGM batteries

1. Remove the top cover
2. Pull the jumper from the 2-pin connector, and install the jumper at position 1 (on both pins of 2-pin connector).
3. Reinstall the top cover.

## Operating the Battery Charger

**CAUTION: DIFFERENT BATTERY TYPES HAVE DIFFERENT CHARGING REQUIREMENTS. FAILURE TO PROPERLY IDENTIFY YOUR BATTERY TYPE AND SET THE CHARGER ACCORDINGLY WILL RESULT IN BATTERY DAMAGE, AND VOID THE WARRANTY.**

The battery charger is fully automatic. Simply plug the charger into a suitable wall outlet, and the charger will charge the batteries. The green 100% LED will be continuously illuminated when the charge cycle is complete.

A bubbling, or boiling sound coming from the batteries during the last few hours of the charge is normal. The batteries may be warm, but not too hot to touch.

### Equalizing the batteries (Flooded only)

The batteries should be equalized once every 30 days to ensure maximum battery life.

To equalize the batteries:

- Plug in the charger, and fully charge the batteries (until the green 100% LED is on continuously).
- Unplug the charger from the wall outlet, then plug it back in.
- The charger will run for 2hrs, holding the batteries at a constant voltage, and equalizing each cell.

### Battery Do's and Don'ts:

- a. You do not have to fully discharge the batteries before charging. They do not have a "memory".
- b. Plug the charger in anytime the machine is not in use.
- c. NEVER let the electrolyte level fall below the tops of the plates (flooded cell batteries). This will damage your batteries almost immediately, and void the battery warranty. It will be evident if this has happened.
- d. NEVER refill the batteries with well or tap water (flooded cell batteries).
- e. NEVER overfill the batteries (flooded cell batteries).
- f. NEVER let the batteries sit discharged overnight (or between shifts).
- g. ALWAYS check the electrolyte level about every 3 or 4 charge/discharge cycles BEFORE CHARGING.
- h. ALWAYS refill the batteries with distilled water (if needed) AFTER CHARGING.
- i. ALWAYS fully recharge the batteries after use (until the green LED comes on).
- j. ALWAYS equalize the batteries every 30 days (Flooded only).
- k. NEVER OVER DISCHARGE!
- l. NEVER charge GEL batteries with the charger set to FLOODED/AGM.
- m. NEVER charge FLOODED/AGM batteries with the charger set to GEL. **EXCEPTION-CROWN AND TROJAN AGM'S TO BE CHARGED WITH GEL SETTING.**

## Opportunity Charging

Opportunity charging is charging the batteries when an opportunity presents itself, such as during breaks, and is done **in addition to a full charge cycle**.

NOTE: Crown and Trojan AGM batteries should be charged with the GEL setting.

Opportunity charging is recommended, as this extra charging time will help raise the operating voltage of the batteries, and will help ensure maximum cycle life.

\*\*The charger has been tested on batteries from the following manufacturers:

- Crown flooded cell
- Trojan flooded cell
- US Battery flooded cell
- Deka flooded cell
- Crown gel
- Concord gel
- Discover AGM

**TABLE 1 Battery Types**

NSS Part Number	Crown Part Number	Battery Volts	System Volts	Amp Hour	Battery Type Setting
4491061	1-1470	12	36	215	Flooded/AGM
3390361	1-1435	6	24 & 36	235	Flooded/AGM
2392111	1-1427	12	24	115	SPE CURVE 0
6393651	1-1428	12	24	130	SPE CURVE 0
2392731	1-12145	12	24	98	SPE CURVE 1
6491931	1-1437	6	24 & 36	200	Gel
2691501	1-1450	6	36	350	Flooded/AGM

### Notes on LED indications per DoE compliance:

When first connected to DC (AC not connected), the LEDs will display one or more of the following:

- The LEDs will flash the charger's ID code (this is for PCS internal use only). Once the LEDs flash the ID, they will only display one yellow LED. This configuration will remain until AC is detected and a charge cycle is in progress.
- There is also a possibility the LEDs will not flash their ID code and only show a yellow LED.
- Lastly, the LEDs may not flash their ID code and may not show any LEDs until AC is detected.

If the AC line and neutral wires are reversed, the unit will wait 2 minutes before starting a charge. NOTE: The 2-minute wait period will also be a factor if the charger is being powered by anything other than normal grid AC such as a conventional generator, inverter, etc.

If the AC plug is disconnected during charge, the unit will turn off as expected. The user may hear some clicking noise, but should not be alarmed. This is the Powered by Battery/DOE functionality checking for AC connection.

# How to read charging data from a battery charger equipped with DeltaView® Link

## DeltaView Link

DeltaView Link is a system that allows you to read data from your battery charger using an app on your smartphone. The battery charger transmits data to your phone's Bluetooth receiver.

These instructions apply to Dual Pro battery chargers manufactured after 11/29/16. The manufacturing date is located on the barcode tag attached to the pigtail cord coming out of the charger. This battery charger is found on Champ Rider Scrubbers, Wrangler 3330, Wrangler 2730, Wrangler 2625, some Wrangler 2016 models, and Charger battery burnishers.



## Instructions

**Step 1.** Download the Pro Charging Systems "DeltaView Link" app

For Apple iPhones: Go to the app store and search for "DeltaView Link" by Pro Charging Systems, LLC. For Android Phones: Go to the play store and search for "DeltaView Link" by Pro Charging Systems, LLC.

**Step 2.** Turn on your phone's Bluetooth function. If your Bluetooth is off, the app will turn it on for you when it starts. Answer "yes" when prompted to turn on Bluetooth.

**Step 3.** Locate the "DeltaView Link" icon on your phone and press it to start the app.

**Step 4.** A list of all battery chargers that are connected to AC power within range of your phone will appear. Tap on a battery charger to select it.

**Step 5.** Follow the app prompts to read through the data on your charger. You will find detailed information about the last 100 charge cycles.



## TRIO+: Scrubber System Diagnostic Codes

### *Scrubber System Faults External to TRIO+*

<b>Code</b>	<b>Fault Description</b>	<b>Corrective Action</b>
0810	Throttle fault-1.0	For all Throttle Diagnostic Codes:
0811	Throttle max wiper difference error.	1- Check the throttle wiring for shorts or opens. Repair or replace as necessary.
0812	Throttle max pull down difference error.	2- If Diagnostic Code is not cleared, then replace throttle (Potentiometer).
0813	Throttle max pull safe difference error.	" " " "
0814	Throttle reference error.	" " " "
0815	Throttle lo reference error.	" " " "
0816	Throttle hi reference iso error.	" " " "
0817	Throttle lo reference iso error.	" " " "
0818	Throttle error both have readings.	" " " "
1310	Excessive current trip.	High Voltage - Battery Voltage exceeds Controller Parameters.
1311	Soft aux 1 over current occurred.	Brush Lift Actuator exceeded current limit. Check limit switch settings, wiring, or replace.
1312	Soft aux 2 over current occurred.	Squeegee Lift Actuator exceeded current limit. Check limit switch settings, wiring, or replace.
1313	Soft aux 3 over current occurred.	Solution Solenoid exceeded current limit. Check wiring, or replace.
1314	Soft aux 4 over current occurred.	Overhead Light or Head Light exceeded current limit. Check wiring (diodes), or replace device.
1318	Soft brake light over current occurred.	Horn circuit exceeded current limit. Check wiring (diodes) or replace device.
131C	Soft alarm over current occurred.	Beeper circuit exceeded current limit. Check wiring or replace device.
1321	Aux 1 over current 2 occurred.	Brush Lift Actuator exceeded current limit. Check limit switch settings, wiring, or replace.
1322	Aux 2 over current 2 occurred.	Vac Lift Actuator exceeded current limit. Check limit switch settings, wiring, or replace.
1411	Error aux 1 positive shorted - low.	Check Brush Lift Actuator and wiring. Repair or replace as necessary.
1412	Error aux 1 negative shorted - low.	Check Brush Lift Actuator and wiring. Repair or replace as necessary.
1413	Error aux 2 positive shorted - low.	Check Squeegee Lift Actuator and wiring. Repair or replace as necessary.
1414	Error aux 2 negative shorted - low.	Check Squeegee Lift Actuator and wiring. Repair or replace as necessary.
1501	Brake fault 2.	Check Brake circuit wiring and brake. Repair or replace as necessary.
1507	Brake over current error.	Check Brake circuit wiring and brake. Repair or replace as necessary.
1600	High battery error.	Battery is overcharged or damaged. Replace battery.
1D02	Front-end spec change trip.	Drive parameters have been reprogrammed. Cycle power with key switch.
1E03	Inhibit activated.	Fix whatever condition is causing Inhibit signal.
1E04	Inhibit activated 2.	Fix whatever condition is causing Inhibit signal.
1E06	Inhibit input out of range.	Invalid Inhibit signal. Check wiring and device. Repair or replace as necessary.
2C00	Low battery error.	Battery Charge too low. Recharge battery.
2C01	Low battery error 2.	Battery Charge too low. Recharge battery.
2C02	Soft battery lockout occurred.	Battery Charge too low. Recharge battery.
2C03	Soft battery lockout 2 occurred.	Battery Charge too low. Recharge battery.
2F01	Tiller displaced error.	Throttle displaced on Power-up. Release throttle and then re-engage throttle. Check Potentiometer settings (neutral).

3A00	Bad settings.	Illegal program parameter settings.
7000	Startup with push selected.	N/A
7001	Push activated in drive mode.	N/A
7500	Tiller comms timeout.	Problem with LCD Module or wiring. Check cable connection between controller and LCD. Repair or replace as necessary.
7600	Soft brush motor disconnected error.	Check Brush Motor wiring and connections.
7601	Soft brush current fold back.	Check Brush Motor for excessive amp draw. Check for locked rotor conditions (debris caught in brushes, gear box locked up, etc.). Repair or Replace as necessary.
7602	Soft brush current fold back 2.	Check Brush Motor for excessive amp draw. Check for locked rotor conditions (debris caught in brushes, gear box locked up, etc.). Repair or Replace as necessary.
7603	Soft brush current fold back 3.	Check Brush Motor for excessive amp draw. Check for locked rotor conditions (debris caught in brushes, gear box locked up, etc.). Repair or Replace as necessary.
7604	Soft brush inhibit.	Check Brush Motor for excessive amp draw when starting. Repair or Replace as necessary.
7605	Brush startup over current detection.	Check Brush Motor for excessive amp draw. Check for locked rotor conditions (debris caught in brushes, gear box locked up, etc.). Repair or Replace as necessary.
7700	Soft vacuum motor disconnected error	Check Vac Motor wiring, connections and carbon brushes.
7701	Soft vacuum current fold back.	Check Vac Motor for excessive amp draw. Repair or Replace as necessary.
7702	Soft vacuum current fold back 2.	Check Vac Motor for excessive amp draw. Repair or Replace as necessary.
7703	Soft vacuum current fold back 3.	Check Vac Motor for excessive amp draw. Repair or Replace as necessary.
7800	Traction motor fault -1.	Check Drive Motor wiring, connections.
7801	Traction motor over current error.	Check Drive Motor for excessive amp draw. Release Parking Break. Replace as necessary.
7802	Soft traction motor in fold back state.	Traction Motor being overloaded or Fold back parameters set too low.
7803	Motor line voltages instability timeout.	Check Drive Motor wiring, Controller wiring, connections.
7880	Traction speed input out of range.	Check Drive Motor wiring, Controller wiring, connections.
7900	Emergency stop error.	N/A
7901	Soft belly button activated.	N/A
8000	Service mode.	N/A
9000	Brushes not fitted.	N/A

### *Possible Internal TRIO+ Faults*

<b>Code</b>	<b>Code</b>	<b>Code</b>	<b>Code</b>	<b>Corrective Action</b>
0003	1800	3104	3603	For All Internal TRIO + Diagnostic Codes:
0100	1802	3105	3608	1 - Turn Off Key switch and disconnect batteries.
0204	1B20	3200	3609	2 - Wait 1 minute.
0705	1B21	3201	360a	3 - Reconnect Batteries and turn On Key switch.
0706	2102	3210	360b	4 - If Diagnostic Code is not cleared, then replace TRIO+.
0A01	2103	3211	360c	
0B02	2D01	3212	360d	
0B0B	3100	3213	360e	
1704	3101	3214	7501	
1705	3102	3601		
1706	3103	3602		

**TROUBLE SHOOTING – SIDEKICK CHEMICAL DISPENSOR**

<b>PROBLEM</b>	<b>CAUSE</b>	<b>SOLUTION</b>
Sidekick pump not operating	Turned off, water valve is off, brushes turned off	Ensure pump, solution valve, and brushes are on.
	Improper wiring	Inspect/repair by qualified technician
	Sensor plugged	Remove sensor and blow air (5psi max) thru in the opposite direction as the arrow on the part to clear the obstruction.
Sidekick operating, but not pumping chemical	Vacuum leak at fittings on bottle cap, Squeeze tube cracked, chemical bottle empty	Check fittings at bottle cap for leaks. Replace squeeze tube if cracked. Fill chemical bottle.

**Trouble Shooting**

<b>PROBLEM</b>	<b>CAUSE</b>	<b>SOLUTION</b>
No Solution Flow.	The solution valve is closed.	Open the solution valve.
	Water solenoid valve not open.	Charge the battery.
	Obstruction in the solution hose.	Remove the obstruction.
	Solution valve or cable damaged.	Repair / replace the valve cable.
	Solution tank is empty.	Fill the tank.
	Solution valve is dirty.	Clean the solution valve.
	Damaged seat and washer in valve.	Replace valve.
Will Not Pick Up Any Water From The Floor.	Squeegee is up.	Lower squeegee.
	Vac motor switch is "off".	Turn vac motor switch "on".
	Recovery tank is full.	Empty tank.
	Vacuum shut-off float is stuck.	Remove obstruction.
	Hole in squeegee hose.	Replace hose.
	Vac motor is not running.	Have an authorized serviceman repair.
	Drain plug not in tight.	Tighten drain plug.
	Porthole cover is missing.	Replace porthole cover.
	Squeegee blade is worn / damaged.	Reverse / replace squeegee blade.
	Obstruction / damage in the squeegee, squeegee hose or standpipe.	Remove obstruction / repair damage.
Runtime is less than when new.	Tops of batteries are dirty / wet.	Clean / dry, & clean terminals.
	Battery terminals are dirty / damaged.	Clean terminals, and connectors, replace damaged cables.
	Electrolyte level is too low.	Add distilled water and charge.
	Batteries are not fully charged.	Charge batteries until the green LED stays on.
	Charger is damaged.	Have an authorized serviceman repair.
	Battery is defective.	Check for fault codes on the battery charger during charging. Check specific gravities after discharging and then after charging.
	Wrong size battery.	Replace with larger batteries.
	Battery tray full.	Drain battery tray.
Cleaning Is Not Even.	Brush / pads are worn.	Replace.
	Damage to brush assembly or solution valve.	Have an authorized serviceman repair.
	Motor is not running.	Check circuit breakers. Reset if necessary, replace carbon brushes, repair wiring, replace switch.
Machine Does Not Run.	Not enough or uneven water.	Check solution hose for blockage.
	Check circuit breaker.	Reset circuit breaker. Check battery connections.
	Code on control panel.	Contact authorized repair service center.

**NOTE:** If problems remain after taking the above steps, contact your local authorized service station for further evaluation and repair.

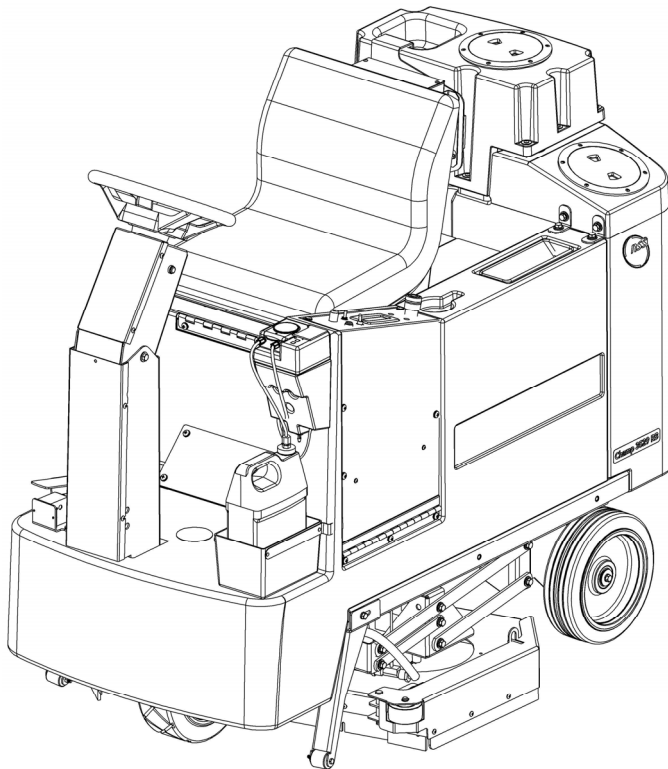
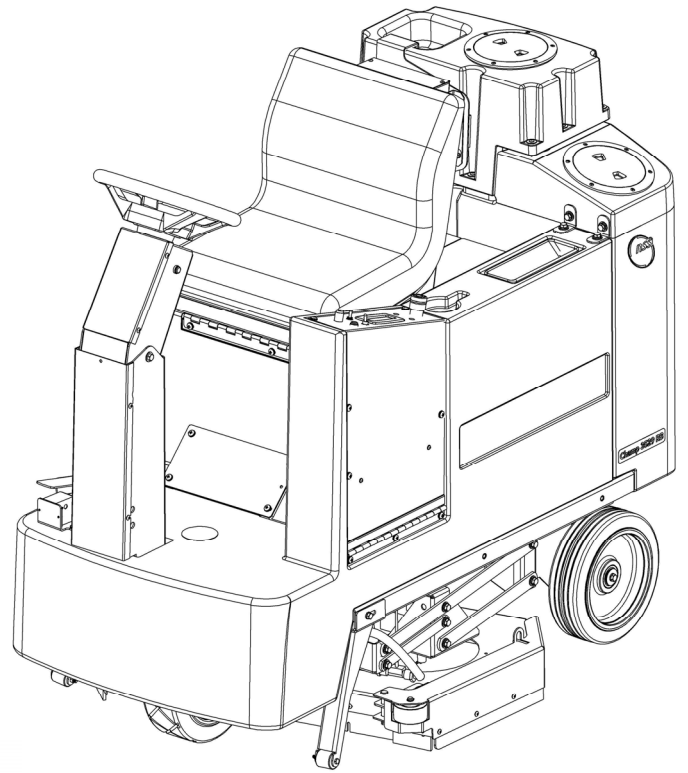
## TECHNICAL SPECIFICATIONS

		Champ 35	Champ 35 Whisker
Width (excl. squeegee)	mm (in)	947 (37.3)	947 (37.3)
Width (squeegee)	mm (in)	1168 (46)	1168 (46)
Height	mm (in)	1351 (53.2)	1351 (53.2)
Length	mm (in)	1702 (67)	2139 (84.2)
GVW	kg (lb)	235AH 350AH 683 772 (1506) (1701)	235AH 350AH 736 824 (1625) (1820)
Empty Weight	kg (lb)	343 (757)	403 (888)
Transport Weight	kg (lb)	605 (1333)	664 (1464)
Temperature Rating	°C (°F)	5-40 (40-104)	5-40 (40-104)
Protection Rating		IPx3	IPx3
Rated Voltage	V	36	36
Frequency	Hz	---	---
Rated Power	W	3808	4708
Brush Motor Power	W (hp)	1492 (2.0)	1865 (2.5)
Vacuum Motor Power	W (hp)	560 (0.75)	746 (1.0)
Wheel Pressure on floor	N/mm <sup>2</sup> (lb/in <sup>2</sup> )	Rear 0.9 (133) Front 0.8 (112)	Rear 0.9 (136) Front 1.0 (152)
<b>IEC/UL 60335-2-72</b>			
Sound pressure level L <sub>pA</sub>	dB(A)	≤70	≤70
Sound power level L <sub>WA</sub> +K <sub>WA</sub>	dB(A)	≤80	≤80
Vibration-Hand- arm	m/s <sup>2</sup>	0.507	0.507
Vibration-Whole body	m/s <sup>2</sup>	≤0.5	≤0.5
Stopping Distance	m (ft)	<2.01 (6.6)	<2.01 (6.6)



MANUEL D'UTILISATION  
**CHAMP 3529 RB**

**(FR) Une Traduction Des Instructions Originales**



# (FR) INSTRUCTIONS DE SÉCURITÉ IMPORTANTES

CONSERVEZ CES INSTRUCTIONS



**AVERTISSEMENT** Lire ces instructions d'origine avant la première utilisation de l'appareil de la machine.

**2%** Cet appareil a été approuvé pour l'utilisation sur des surfaces avec une pente maximale de 2%.

**13%** Pente maximale d'escalade de transport de 13%, ne stationnez pas sur des pentes supérieures à 2%.

## Équipement de sécurité

Cet appareil est équipé de dispositifs pour protéger l'utilisateur, qui ne doivent pas être rendus inutilisables ou contournés.

### Emergency Stop Button (Bouton d'arrêt d'urgence)

Pour arrêter immédiatement toutes les fonctions, appuyer sur le bouton d'arrêt d'urgence.

- La machine s'arrêtera soudainement.
- Toutes les fonctions s'arrêteront.
- Tourner le bouton d'arrêt d'urgence pour reprendre un fonctionnement normal.

### Dispositif de présence de l'opérateur

\*Désactive les fonctions de conduite si l'utilisateur n'est pas assis sur le siège de la machine.

### Utilisation prévue

L'Scrubber est destinée à une utilisation commerciale, pour le nettoyage mouillé des planchers à niveau dans un milieu intérieur, par exemple les hôtels, les écoles, les hôpitaux, les usines, les ateliers, les bureaux et les entreprises de location.

## DESCRIPTION GÉNÉRALE DE LA MACHINE

Laveuse-sècheuse à plancher avec entraînement par traction.

### Symboles utilisés dans ces instructions



Manuel D'Utilisation



**DANGER** – Danger immédiat qui peut causer des

blessures graves ou même la mort.



**AVERTISSEMENT** – Danger potentiel qui peut mener à

des blessures graves ou même la mort.



**ATTENTION** – Danger potentiel qui peut mener à des

blessures légères ou à des dommages aux biens.



Lire le manuel d'utilisation.



Ne pas fumer près des batteries et éloigner les flammes nues ainsi que les étincelles.



Batteries - acide et hydrogène gazeux.



Toxique. Cause des brûlures graves. Éviter le contact.



Recycler l'emballage.



Mettre l'équipement au rebut grâce à des systèmes de

collecte appropriée.



## Instructions de sécurité importantes

TOUT SERVICE DE RÉPARATION DOIT ÊTRE EFFECTUÉ PAR UN DISTRIBUTEUR OU UNE STATION DE SERVICE AUTORISÉE PAR NSS, UTILISANT DES PIÈCES ORIGINALES NSS.

- Cette machine n'est pas destinée à une utilisation par des personnes (y compris les enfants) à capacité physique, sensorielle ou mentale réduite, ou n'ayant pas d'expérience ou de connaissance.
- Les enfants doivent être surveillés afin d'assurer qu'ils ne jouent pas avec l'appareil.

- Les machines non surveillées doivent être protégées contre les mouvements involontaires: éteignez et retirez la clé.
- **TOUJOURS** retirer les clés en laissant la machine seule.
- **AVERTISSEMENT** Les opérateurs doivent recevoir des instructions adéquates sur l'utilisation de cette machine.
- **AVERTISSEMENT** Débrancher le connecteur de la batterie lors du nettoyage, de l'entretien, du remplacement des pièces ou des réparations.
- **AVERTISSEMENT** Ne pas utiliser pour le nettoyage sur des surfaces dont la pente est supérieure à celle indiquée sur la machine.
- **Assurez-vous TOUJOURS** que la rampe est bien fixée au véhicule avant d'essayer de charger ou de décharger.
- **TOUJOURS** faire preuve d'une extrême prudence lorsque vous utilisez la machine sur une rampe ou lorsque vous chargez la machine sur un camion ou une remorque ou que vous la déchargez. Soyez extrêmement prudent si la rampe est humide, huileuse ou couverte de produits chimiques de nettoyage.
- **NE JAMAIS** arrêter ou tourner la machine sur une rampe ou une pente.
- **ATTENTION:** Éteignez l'interrupteur à clé avant de changer les disques ou les brosses.
- **AVERTISSEMENT:** Ce produit contient un produit chimique reconnu par l'État de Californie pour causer le cancer et des malformations congénitales ou d'autres problèmes de reproduction.
- **NE JAMAIS** de faire fonctionner cette machine si elle ne fonctionne pas correctement ou si elle est endommagée de quelque façon que ce soit.
- **NE JAMAIS** débrancher ou modifier tout interrupteur ou dispositif de sécurité (disjoncteurs).
- **NE JAMAIS** déposez ou insérez des objets dans n'importe quelle ouverture de la machine.
- **NE JAMAIS** faire fonctionner cette machine avec une ouverture d'air bloquée. Gardez toutes les ouvertures d'air exemptes de poussière, de peluches, de poils, etc.
- **NE JAMAIS** Soulevez tout ce qui brûle ou fume, comme les cigarettes, les allumettes ou les cendres chaudes.
- **NE JAMAIS** pulvériser cette machine avec de l'eau ou des liquides.
- **NE JAMAIS** laissez le moteur d'aspiration ou le bouchon de charge de la batterie se mouiller ou un court-circuit peut se produire.
- **NE JAMAIS** utilisez cette machine lorsque le chargeur de batterie est branché.
- **NE JAMAIS** faites fonctionner cette machine sans la jupe latérale.
- **NE JAMAIS** allumer la machine sauf si vous êtes assis dans le siège de l'opérateur.
- **NE JAMAIS** monter sur la machine quand elle est allumée.
- **NE JAMAIS** utiliser la machine pour transporter des passagers autres que l'opérateur.
- **TOUJOURS** porter des chaussures de tennis propres ou des chaussures «antidérapantes». Les chaussures à semelles en cuir seront extrêmement glissantes lorsqu'elles sont mouillées.
- **TOUJOURS** éloigner le visage, les doigts, les cheveux ou toute autre partie de votre corps ou de vos vêtements amples de toute partie mobile ou en mouvement de l'appareil (brosse rotative, lecteur de disque ou moteur d'aspirateur).
- Utilisez uniquement des pièces de rechange d'origine et des accessoires du fabricant.

- **USAGE:**
- **ATTENTION:** Cette machine est uniquement destinée à une utilisation en intérieur.
- Cette machine ne doit être utilisée que pour nettoyer des surfaces dures qui ne sont pas sensibles à l'humidité ou aux opérations de polissage.
- Cette machine ne convient pas au nettoyage de surfaces gelées (stockage à froid).
- Ne pas utiliser cette machine dans l'eau d'une profondeur supérieure à 1 cm (3/8 po).
- Cette machine n'est pas conçue pour être utilisée dans les rues ou les routes de transport en commun.
- N'utilisez pas cette machine sur des surfaces sensibles à la pression.
- **AVERTISSEMENT:** Risque d'incendie ou d'explosion. N'utilisez pas cette machine dans des environnements potentiellement dangereux (poussière provenant de grains, de liquides ou de vapeurs inflammables, etc.).
- **AVERTISSEMENT:** Risque d'incendie ou d'explosion. N'essayez jamais de collecter des matériaux inflammables ou combustibles ou d'utiliser de tels matériaux dans des réservoirs.
- L'huile d'orange (D-limonène) n'est pas compatible avec les plastiques utilisés dans cette machine. L'utilisation de D-limonène peut endommager la machine.
- **AVERTISSEMENT** Ne pas utiliser de liquides inflammables.
- N'utilisez pas de détergent contenant des solvants, de l'acide chlorhydrique ou de l'acide fluorhydrique.
- N'utilisez pas de détergents à haute teneur en mousse.

- **ESPACE DE RANGEMENT:**
- **ATTENTION** Cette machine doit être entreposée à l'intérieur seulement.
- **NE JAMAIS** stationner ou entreposer la machine près d'un quai, sur des rampes, près d'une fournaise, d'une chaudière, d'une flamme nue ou d'une autre source de chaleur élevée.
- **NE JAMAIS** cette machine geler.
- N'exposez **JAMAIS** la machine à la pluie, à la neige ou à des températures extrêmes.
- Ne stockez **JAMAIS** d'objets sur la machine.
- Plage de température de fonctionnement: 40°-104°F (5°-40°C)

● **Équipement de protection individuelle:**

- Suivez les instructions de sécurité fournies avec les détergents de nettoyage.
- Suivez les instructions du fabricant de détergent concernant l'équipement de protection individuelle.

**RENSEIGNEMENTS SUR LA SÉCURITÉ DES BATTERIES**



- **AVERTISSEMENT** Le non-respect de ces avertissements peut entraîner des blessures à la machine, à l'opérateur ou à des personnes se trouvant à proximité.
- **AVERTISSEMENT** Les batteries émettent de l'hydrogène, ce qui peut provoquer un incendie ou une explosion.
- **NE JAMAIS** fumer, allumer une allumette ou provoquer une étincelle pendant le fonctionnement ou la charge.
- **TOUJOURS** charger dans un endroit bien ventilé à l'écart des flammes nues.
- **TOUJOURS** lire et comprendre toutes les instructions avant d'installer ou de charger les batteries.
- **N'essayez JAMAIS** d'installer ou de charger des batteries à moins d'avoir été formé pour le faire.
- **NE JAMAIS** permettre à une personne non formée d'installer ou de charger des batteries.

- **TOUJOURS** porter des lunettes de protection et des vêtements de protection pour éviter tout contact avec l'acide de la batterie.
- **TOUJOURS** retirer tous les bijoux lorsque vous travaillez sur ou près des batteries.
- **TOUJOURS** éteindre tous les interrupteurs pendant l'installation et l'entretien.
- Débranchez **TOUJOURS** les câbles de la batterie avant toute intervention ou réparation.
- **NE JAMAIS** poser quoi que ce soit sur le dessus des batteries car un arc peut se produire.
- **SI LE CONTACT AVEC L'ACIDE DE LA BATTERIE SE PRODUIT, suivez ces instructions:**
  - **PEAU** - rincer la zone avec de l'eau.
  - **YEUX** - Rincer à l'eau pendant 15 minutes.
  - **INTERNE** - Buvez de l'eau ou du lait. Suivez avec du lait de magnésie, de l'œuf battu ou de l'huile végétale. Appelez un médecin immédiatement.

**INSTALLATION DE LA BATTERIE**

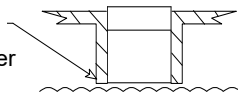
- **TOUJOURS** utiliser deux personnes pour installer, car les batteries sont lourdes.
- **TOUJOURS** éteindre tous les interrupteurs de la machine.
- Positionnez **TOUJOURS** les batteries comme indiqué sur l'autocollant d'installation de la machine pour maintenir l'équilibre de la machine.
- **TOUJOURS** brancher les batteries comme indiqué sur l'autocollant d'installation de la machine pour éviter de court-circuiter les batteries et le système électrique.

**SÉCURITÉ DE CHARGE DE LA BATTERIE**

- **TOUJOURS** lire attentivement les instructions.
- **TOUJOURS** utiliser le chargeur fourni par NSS avec une tension nominale appropriée.
- **TOUJOURS** brancher le chargeur dans une prise de courant reliée à la terre.
- **NE JAMAIS** charger une batterie gelée.
- **NE JAMAIS** toucher une partie non isolée du connecteur de sortie ou une borne de batterie non isolée.
- **TOUJOURS** débrancher l'alimentation CA avant d'effectuer ou de couper les connexions à la batterie pendant la charge.
- **NE JAMAIS** utiliser le chargeur si le cordon d'alimentation CA est endommagé ou si le chargeur a reçu un coup violent, s'il est tombé ou s'il a été endommagé de quelque façon que ce soit.
- **TOUJOURS** recharger les batteries après chaque utilisation, laisser le chargeur branché sur la prise murale lorsque la machine n'est pas utilisée.

● **Pour les batteries plomb-acide inutilisées uniquement (ne pas appliquer de batteries scellées sans entretien):**

- **TOUJOURS** vérifier que le niveau d'eau de la batterie recouvre les plaques de la batterie avant de la charger.
- **TOUJOURS** vérifier le niveau d'eau après la charge et ajouter de l'eau distillée si nécessaire pour amener le niveau au fond du trou de remplissage.
- **NE JAMAIS** trop remplir les batteries car cela pourrait endommager la batterie et la machine.
- **TOUJOURS** essuyer tout acide du haut des batteries en utilisant une solution savonneuse.
- **TOUJOURS** étudier les précautions spécifiques des fabricants de batteries telles que les taux de charge recommandés.
- Remettez **TOUJOURS** les capuchons sur les batteries. Ne pas charger avec des bouchons desserrés ou enlevés.
- **AJOUTER** uniquement de l'eau distillée.



**MISE À LA TERRE D'ÉQUIPEMENT ÉLECTRIQUE CHARGEUR DE BATTERIE**



**AVERTISSEMENT:** Une mauvaise connexion du conducteur de mise à la terre de l'équipement peut entraîner un risque d'électrocution. Vérifiez auprès d'un électricien qualifié ou d'une personne de service si vous avez des doutes quant à la mise à la terre de la prise de courant. Ne modifiez pas la fiche fournie avec le chargeur. Si la prise n'est pas adaptée à une utilisation sûre; avoir une prise correctement mise à la terre installée par un électricien qualifié.

Utilisez toujours une rallonge à 3 fils correctement mise à la terre, avec des fiches mâles et femelles. Si des rallonges de 25 pieds [7.6m] sont utilisées, la capacité de transport électrique ne doit pas être inférieure à 14-3 ST., 50 pieds [15.2m] de rallonges pas moins de 12-3 ST

**INSTRUCTIONS DE MISE À LA TERRE**

Ce chargeur doit être mis à la terre pendant l'utilisation pour protéger l'opérateur contre les chocs électriques. Le chargeur est fourni avec un cordon à trois conducteurs et un connecteur de mise à la terre de type à trois contacts. La fiche doit être branchée dans une prise appropriée correctement installée et mise à la terre conformément à tous les codes et règlements locaux. Le conducteur vert dans le cordon est le fil de terre. Ne connectez jamais ce fil à un autre que la broche de mise à la terre de la fiche de fixation.

Vérifiez la plaque signalétique sur le chargeur pour vous assurer que la tension et le cycle indiqués sont les mêmes que ceux de la prise électrique. Ne tentez pas de brancher un chargeur de 120 volts dans une prise de 240 volts ou un chargeur de 240 volts dans une prise de 120 volts. Si le cordon fourni avec le chargeur est muni d'une fiche de branchement, tel qu'illustré à la figure A ci-dessous, il doit être utilisé sur un circuit nominal de 120 volts. Si un réceptacle correctement mis à la terre tel que montré à la figure A n'est pas disponible, un adaptateur peut être installé tel qu'illustré à la figure B si la boîte de prise qui abrite le réceptacle est mise à la terre. Assurez-vous de bien fixer la languette de mise à la terre (l'oreille rigide, la cosse ou tout autre objet semblable à la couleur verte qui s'étend de l'adaptateur) à l'aide d'une vis à plaque métallique.

Si le cordon fourni avec le chargeur a une fiche de connexion comme illustré à la figure C, il est destiné à être utilisé sur un circuit nominal de 240 volts (monophasé seulement). Les modifications apportées à la prise d'accessoire ou l'utilisation d'adaptateurs sur d'autres types de prises doivent être effectuées conformément aux réglementations locales.

Figure A.

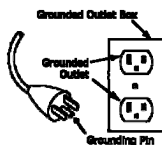
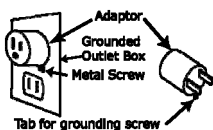
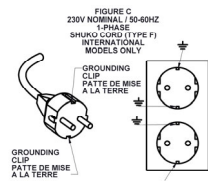


Figure B



REMARQUE : Au Canada, l'utilisation d'un adaptateur temporaire peut ne pas être autorisée par le code canadien de l'électricité.



**Mise au rebut**

Contactez un prestataire de service de mise à la ferraille qualifié pour vous débarrasser de la machine.

Assurez-vous que les matériaux suivants sont mis au rebut conformément aux lois en vigueur:

- Batteries
- Composants contenant du plastique
- Composants électriques et électroniques

**MARQUAGES**

<p><b>WARNING:</b> THIS PRODUCT CAN EXPOSE YOU TO CHEMICALS INCLUDING (LEAD AND LEAD COMPOUNDS) WHICH IS KNOWN TO THE STATE OF CALIFORNIA TO CAUSE CANCER, BIRTH DEFECTS OR OTHER REPRODUCTIVE HARM. FOR MORE INFORMATION GO TO <a href="http://www.P65Warnings.ca.gov">www.P65Warnings.ca.gov</a>.</p>	<p><b>ADVERTENCIA</b> ESTE PRODUCTO PUEDE EXPONERTE A PRODUCTOS QUÍMICOS, INCLUIDO (PLOMO Y COMPUESTOS DE PLOMO), QUE SE CONOCE AL ESTADO DE CALIFORNIA A CAUSAR CÁNCER, DEFECTOS DE NACIMIENTO O OTROS DAÑOS REPRODUCTIVOS. PARA MÁS INFORMACIÓN IR A <a href="http://www.P65Warnings.ca.gov">www.P65Warnings.ca.gov</a>.</p>	<p><b>AVERTISSEMENT</b> CE PRODUIT PEUT VOUS EXPOSER AUX PRODUITS CHIMIQUES INCLUANT (PLOMB ET PLOMBES), QUI EST CONNU DE L'ÉTAT DE LA CALIFORNIE POUR CAUSER CANCER, DÉFAUTS DE NAISSANCE OU AUTRE DANGER REPRODUCTEUR. POUR PLUS D'INFORMATIONS ALLER À <a href="http://www.P65Warnings.ca.gov">www.P65Warnings.ca.gov</a>.</p>
---	--	---

California

Prop 65 Avertissement.



Connexions de batterie.



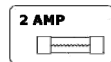
Filtre à eau propre.



Avertissement-Configurer le chargeur de batterie lors du remplacement des batteries.



Avertissement-N'utilisez pas de liquides inflammables ou combustibles. Ne pas utiliser dans une atmosphère explosive.



Indice de fusible 2 ampères.



Disjoncteur principal.



Disjoncteur d'actionneur de plateau de récurage.



Raclette Disjoncteur d'actionneur.



Klaxon.



Eau propre / Contrôle de débit de solution.



Lisez le manuel d'utilisation

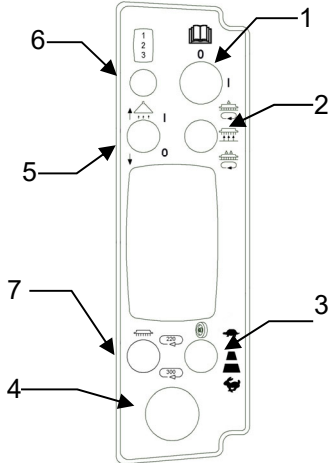
## INSPECTION DE LA MACHINE

- Maintenant que la machine est déballé n'oubliez pas de recycler tous les matériaux d'emballage.
- Inspecter la machine pour les dommages ou les composants absents. S'il est endommagé, contacter la compagnie de transport locale pour déposer une demande de fret.
- Inspectez racler pour dommages cachés.

## Composants de la Machine


### Panneau de Configuration


Le panneau de commande de l'opérateur se trouve à la gauche du siège de l'opérateur. Ce panneau comporte des éléments qui contrôlent diverses fonctions de la machine. Voir schéma ci-dessous.




**1 Interrupteur à clé** - clé doit être tournée vers la droite pour activer la machine.

**2 Interrupteur de la brosse** - 3 positions, 3 fonctions:

-  Jusqu'à est sur, l'abaissement des brosses à une légère pression.

-  Moyen est éteint, ce qui soulève des brosses.

-  Down est sur, l'abaissement des brosses à forte pression.

- Brosses ne viennent que lorsque la machine se déplace en marche avant ou arrière.



**3 Vitesse de traction Switch** - 2 positions:

- Down est haute vitesse.
- Jusqu'à est faible vitesse.

**4 Bouton d'arrêt d'urgence**

- poussoir pour arrêt.
- Tournez pour sur.



**5 Interrupteur à vide** - 2 positions; 2 fonctions:

- Jusqu'à est sur, l'abaissement de la raclette.
- Bas est éteint, ce qui soulève la raclette.
- Raclette se soulève automatiquement en sens inverse.



**6 Bouton poussoir** - Bascule entre les écrans d'affichage. Par défaut, l'écran 1 lorsqu'ils sont sous tension.

**7 Brosse Vitesse - 2 positions**

- Jusqu'à tourner les brosses à 220 RPM.
- Bas tourner les brosses à 300 RPM.

**Ecran LCD** - éclairée de travailler dans toutes les situations d'éclairage.

**Colonne de direction inclinable Bouton**

- Ajustez l'angle d'inclinaison.

**Pédale Bouton**

- Contrôle à vitesse variable avant et arrière.

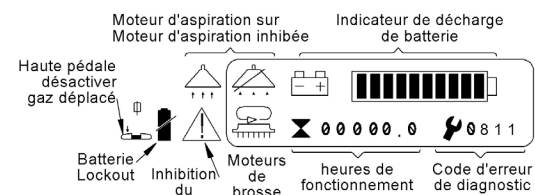
**Sidekick Système de mesure chimique (facultatif)**

Commandes pour distribution chimique sont situés sur le Panneau de configuration de la pompe.

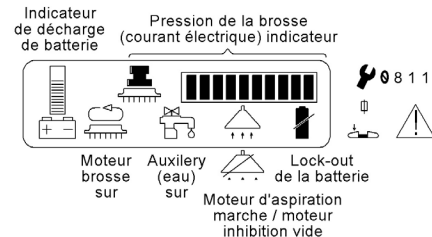
## Les écrans d'affichage

Il ya beaucoup de symboles qui peuvent être affichés sur l'écran LCD. Par conséquent, le bouton-poussoir LCD peut être utilisé pour basculer entre les écrans prédéfinis (voir Panneau de configuration pour plus de détails).

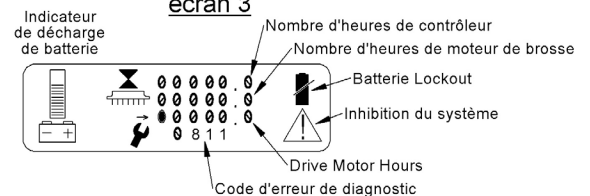
### écran 1



### écran 2



### écran 3





# Utilisation de la Machine

## Informations Générales

Le CHAMP 3529 est très maniable et est conçu pour nettoyer que vous conduisez la machine. Suivez ces étapes pour préparer la machine pour le fonctionnement quotidien.

- **Toujours** balayer ou vadrouille le sol de débris avant de frotter. Vous pouvez aussi avoir besoin d'effectuer une pré-nettoyage de certains types de déversements ou les taches avant de frotter.
- Planifiez votre travail de telle sorte que vous faites, de longs chemins droites avec le plus petit nombre de tours que possible.
- Retirez autant d'obstacles que possible de la zone à nettoyer.
- Lieu signes d'alerte "Wet Floor" dans la zone à nettoyer.
- Consultez votre distributeur local pour les procédures NSS plus complets et des conseils chimique.

### Préparation de la machine pour une utilisation

#### Préparer le réservoir de solution:

- Ne jamais utiliser de l'eau de plus de 140°F (60°C).
- Verser tous les liquides à travers le filtre à mailles sur le côté gauche du réservoir de solution.
- Remplir avec de l'eau propre, jusqu'à 29 gal [110 L].
- Ajouter les produits chimiques de nettoyage dans le réservoir de solution.

#### Préparez le réservoir de récupération:

- Toujours utiliser un anti-mousse pour protéger le moteur d'aspiration de cette machine. Nous vous recommandons d'ajouter au moins 4 à 6 onces [120mL à 175mL] d'antimousse chimique.
- Passez l'aspirateur sur l'antimousse dans le réservoir de récupération à travers le tuyau d'aspiration.
- Assurez-vous que le bouchon de vidange du tuyau du réservoir de récupération est bien fermé.

#### Installation d'un pilote de Pad et Pad:

- Il ya une large gamme de tampons ou de brosses disponibles pour les nombreuses applications de nettoyage de cette machine. Voir la page "Accessoires" dans le manuel Liste des pièces.
- Tirer la goupille et une jupe ouverte.
- Tournez le pilote de la tablette à l'envers sur le sol et enlever la coupe patin de maintien.
- Retirez la découpe du centre de la pad 17" [43cm] et placez le coussin sur le visage du pilote de la tablette.
- Le tampon doit être centrée sur le conducteur pour empêcher vaciller ou rebondir.
- Installer et fixer la tenue tasse de tampon à la pilote de la tablette. Tourner le pilote de tampon de sorte que la plaquette tournée vers la chaussée.
- Soulevez le moteur de la brosse dans la position de transport (position de centre de l'interrupteur).
- Aligner les pattes du pilote de la tablette avec des encoches de la coulée d'entraînement.
- Tournez le pilote de la tablette se verrouiller sur la coulée d'entraînement.
- Fermez le loquet de verrouillage.
- Fermez la jupe.
- Répétez l'opération pour l'autre côté.

#### Installer une brosse:

- Tirer la goupille et une jupe ouverte.
- Soulevez le moteur de la brosse dans la position de transport.

- Aligner les pattes de la brosse avec les encoches de la coulée d'entraînement.
- Tournez la brosse pour se verrouiller sur la coulée d'entraînement.
- Fermez le loquet de verrouillage.
- Fermez la jupe.

#### Installez l'Assemblée Raclette:

- Desserrez les deux boutons de montage et faites glisser le racloir sur la plaque de montage.
- Serrez à la main les boutons de montage. Ne pas utiliser des pinces pour serrer les boutons, car cela vaincre la conception "séparatiste".
- Comme la machine est utilisée, les lames de racloir se usent et doivent être remplacés en raison de dommages.
- Les lames de racloir doivent se trouver sur (comme une raclette de fenêtre) chaque fois que la machine est en mouvement vers l'avant.
- Ne pas ajouter de poids ou d'autres pressions pour le mécanisme raclette; il ne va pas améliorer la vie de la performance ou de service.
- La raclette se élève automatiquement lorsque la machine est en marche arrière.
- Ressorts racloir ajouter de la pression au sol. Il ya trois réglages disponibles en déplaçant l'extrémité du ressort le plus proche du cadre de trou en trou. Plus la pression est ajouté le plus loin du trou est à partir du point central. Lors du changement de la pression toujours se déplacer des deux côtés, en utilisant la même distance (trou) de chaque côté.
- Il est recommandé que, avec de nouvelles lames, les roues arrière sont réglables à leur position la plus basse. Desserrez les deux vis sur le support tournent le support à la baisse dans la mesure où il ira, puis serrez les vis. Effectuez ce réglage sur les deux roues / supports.
- Lorsque la raclette est usé, et le bord d'essuyage ne est plus en contact avec le sol correctement, l'utilisation ultérieure peut être possible en ajustant les roues arrière vers le haut suffisamment pour restaurer un engagement correct des lames d'essuyage bord avec le sol. Assurez-vous de régler les roues arrière à fond quand une nouvelle lame est installée.

**REMARQUE:** Retirez raclette, brosses ou drivers pad, et des jupes latérales se transporter à différents endroits ou de chargement / déchargement dans un camion ou une remorque.

#### Installez les piles:

- Éteignez tous les interrupteurs et inclinez le couvercle du compartiment batterie ouvert pour exposer le compartiment de la batterie.
- Les batteries sont lourdes - utiliser deux personnes pour installer.
- Reportez-vous au schéma de câblage à l'intérieur du compartiment de la batterie. Alignez les piles dans le compartiment comme indiqué sur le schéma.
- Installez les câbles de batterie comme indiqué sur le schéma de câblage.
- Serrer les boulons et les écrous hexagonaux avec une clé.

**Attention:** Ne touchez pas deux bornes avec une clé.

- Connexions de la batterie lâche ou incorrecte causera batterie ou d'endommager l'appareil et provoquer des blessures.

#### • Recharger les batteries avant de l'utiliser!

#### La charge de la batterie

- Pour recharger les batteries branchez le cordon du chargeur, situé à l'arrière de la machine, dans une prise électrique (100/115/230 50/60 HZ VAC).

**ATTENTION: Assurez-vous que le type de batterie LED sur le chargeur correspond au type de batterie installée dans votre machine! EXCEPTION-CROWN et TROJAN AGM'S soient inculpés d'GEL SETTING.**

- Si le cordon est branché dans une prise de la machine sera désactivé.
- Voir la section Chargeur de batterie pour plus de détails.

**Préparation du système Sidekick chimique de mesure (le cas échéant)**

**\*\*\* ATTENTION: purger les lignes d'Sidekick peut distribuer une petite quantité du produit chimique directement sur le sol. Si vous utilisez décapant de cire ou de produits chimiques agressifs, purger les lignes dans une zone qui ne peut pas être endommagé par le produit chimique utilisé.**

- Placer un récipient rempli avec le produit chimique de nettoyage désiré dans le support de bouteille situé à l'avant de la machine.
  - Le porte-bouteille accepte F-style conteneurs rectangulaires, et certains contenants ronds plus petits.
  - Conteneurs F de style vide sont disponibles à partir de NSS, commander la pièce # 9590171.
- Se assurer que tous les raccords de tuyaux sont serrés, puis insérer le tube d'aspiration dans la bouteille chimique, et serrer le bouchon.
- Mettez le laveur puis appuyez sur le bouton ON sur le Sidekick. L'indicateur ON se allume.
- Appuyez et maintenez enfoncé le bouton de purge sur le Sidekick jusqu'à ce que vous voyez la ligne d'alimentation de la pompe est remplie avec le produit chimique.
- Sélectionnez le taux de dilution désiré comme recommandé par le fabricant de produits chimiques.
- Le Sidekick est prêt à l'emploi.

**Pour changer des produits chimiques**

- Desserrer le bouchon sur la bouteille chimique, et retirer la conduite d'aspiration de la bouteille de produit chimique.
- Éliminer ou stocker tout produit chimique restant conformément aux réglementations locales et fédérales.
- Placez la ligne d'aspiration dans un récipient d'eau propre.
- Avec la machine sur un drain de plancher, appuyez et maintenez le bouton de purge jusqu'à ce que l'eau potable est tirée à travers la pompe et distribué aux brosses.
- Retirer la conduite d'aspiration du récipient d'eau propre. Remplacez le récipient d'eau propre avec un conteneur de la substance chimique désiré, et installer la ligne d'aspiration.
- Appuyez et maintenez enfoncé le bouton de purge jusqu'à ce produit chimique est considéré en cours d'élaboration à la pompe, et le pompage dans le tube de la pompe au raccord sous la machine tee.
- **Après chaque utilisation, rincez toujours les lignes Sidekick avec de l'eau propre pour empêcher que le produit séché de se accumuler dans les lignes.**

**ENTRETIEN DE LA MACHINE**

**Entretien quotidien**

- Vous devez recharger les batteries lorsque cela est indiqué par la jauge de la batterie, et après chaque utilisation. Lire l'indicateur de charge pendant que la machine est en service. \* 350 batteries AH exigent normalement 14 ½ -16 ½ heures pour charger complètement.
- **NE JAMAIS** laisser les piles reposer toute la nuit après que la machine a été exécuté pendant plus de 1h depuis la dernière recharge.

- **Voir la section Chargeur de batterie.**

**Batterie électrolyte (liquide) Niveau (Inondé seulement)**

- Ajoutez seulement de l'eau distillée à la cellule d'une batterie (Inondé seulement) pour ajuster le niveau de liquide. Ne pas utiliser l'eau du robinet ou bien. Avant de charger, ajouter suffisamment d'eau pour assurer que la partie supérieure des plaques sont couvertes. Après la charge, ajouter suffisamment d'eau pour porter seulement au niveau de la partie inférieure du tube de remplissage.
  - **Ne surchargez** pas le niveau de liquide de la batterie, cela va provoquer l'électrolyte (acide) déversement. Renversé électrolyte (acide) peut causer des dommages de la machine et des blessures. Nettoyez et disposer de tous les déversements immédiatement.
  - Si la machine est équipée de la batterie système Auto-Fill, remplissez batteries avant la charge.
  - Videz et rincez nettoyer le réservoir de récupération.
  - Retirer et rincer nettoyer le racloir.
- \*\*\*Remarque:** une exposition prolongée à certaines marques de cire de démoulage peut dégrader la matière raclette. Rinçage après utilisation dans un plancher de cire décapage application est fortement recommandé.
- Retirez et rincez le conducteur et / ou une brosse pad.
  - Inspecter les composants de la machine d'usure ou de dommages. Appeler le centre de service agréé pour les réparations.
  - Essuyez la machine vers le bas; **NE JAMAIS** pulvériser cette machine avec de l'eau ou des liquides.
  - Inspectez le tube souple dans le système de mesure Sidekick chimique ni fissures ni fuites.

**Système Sidekick chimique de mesure**

- Purger les lignes à l'eau claire après chaque utilisation.
- Le tube de compression sous le couvercle transparent sur le dessus de la pompe nécessite un remplacement périodique environ tous les 500 heures (selon les produits chimiques utilisés).
- Pour remplacer le tube de compression:
  1. Enlevez les écrous d'embout de la pompe.
  2. Dévissez le couvercle de la pompe, ce qui expose le tube de compression.
  3. Retirer le tube de compression endommagé et remplacer par un nouveau tube souple.
  4. Un tournevis peut être inséré dans le moyeu de rotor et entraîné en rotation lorsque le tube est remplacé pour faciliter l'insertion. Il est important de ne pas tordre le tube comme il est inséré et les raccords doit être inséré "côté plat jusqu'à".
  5. Ajouter la graisse du paquet inclus.
  6. Réinstaller le couvercle et reprendre le fonctionnement normal.

**Entretien hebdomadaire (toutes les 20 heures)**

- Vérifiez que tout l'entretien quotidien a été effectué.
- Vérifier le niveau de liquide de la batterie; utilisant de l'eau distillée, ajuster au niveau approprié au besoin. (Inondé seulement).
- REMARQUE: Si option système de remplissage automatique est installé, suivez les instructions qui viennent avec ce système.
- Vérifiez toutes les connexions de terminaux et câble batterie. Serrer le juge nécessaire.
- Nettoyez toute corrosion des bornes et câbles des batteries.
- Vérifiez le débit de solution pour le conducteur et / ou une brosse pad. Rincer nettoyer le réservoir de solution et le tuyau avec un mélange de 8 oz (250ml.) De vinaigre blanc à 1 gallon (4 litres) d'eau tiède.



- Inspectez les filtres.

**\*\*\*\*ATTENTION\*\*\*\***

Inspectez et remplissez d'eau de la batterie dans chaque cellule dans chaque hebdomadaire de la batterie. Défaut de maintenir le niveau d'électrolyte approprié dans chaque cellule de chaque batterie provoquera une défaillance prématurée, et annuler la garantie.

**Entretien mensuel (Toutes les 100 heures)**

- Vérifiez que tout l'entretien quotidien et hebdomadaire a été effectuée.
- Égaliser vos batteries (inondées seulement). Pour égaliser les batteries, après avoir été complètement chargée, débranchez le chargeur (à partir de la prise murale), et rebranchez-le. Le chargeur va sauter à travers les premières phases du cycle de charge, et courir à travers la phase de finition. Ce sera un équilibre entre toutes les cellules dans les batteries, et de fournir une autonomie maximale. Cette étape est particulièrement important si vous pratiquez **OCCASION DE CHARGE (voir page 10)**.
- Nettoyer les filtres par rinçage à l'eau fraîche et claire. Sécher complètement.

**Après toutes les 750 Heures d'ouverture:**

- Inspecter les balais du moteur d'entraînement pour l'usure. Remplacer les brosses lorsqu'elles sont en 3/8" (9 mm.) de longueur.
- Inspectez les entraînement des brosses brosse de carbone du moteur pour usure. Remplacer les balais quand ils sont 1/2" po (13mm.) de longueur.
- Inspectez les aspirateurs balais de charbon du moteur pour usure. Remplacer les balais quand ils sont de 7/16" po. (11mm.) de longueur.

**Billets de remplacement de batterie**

- Paquet entier.
  - Il est toujours recommandé de remplacer toutes les batteries dans le pack en même temps.
- Un ou plusieurs piles hors de la meute. Ce ne est pas recommandé. Remplacement de seulement un ou deux piles hors de la meute peut conduire à ce qui suit:
  - La nouvelle surcharge, ou l'original restant, batteries.
  - La sous la nouvelle, ou de rester originale, batteries.
  - Une décharge soit la nouvelle ou les batteries d'origine restants.
- Si vous souhaitez remplacer une partie seulement des batteries dans le pack, suivez ces étapes pour obtenir de meilleurs résultats:
  - Les batteries de remplacement doivent toujours être du même fabricant de la batterie, le modèle et note ampères-heure que les piles restantes dans le paquet.
  - Ne jamais mélanger des piles de différents fabricants dans le même pack.
  - Rechargez complètement la fois la nouvelle pile et les batteries originales restantes. (densité = 1,265 minimum, utiliser un densimètre).
  - Utilisez une batterie de remplacement qui est proche de la même âge que les originaux restants.
  - Ne pas faire fonctionner la machine tant pendant environ 20 cycles. Par exemple, si vous avez utilisé pour obtenir quatre heures de l'exécution, ne l'exécuter pendant 2,5 heures, puis charger les batteries complètement.
  - Charge d'Opportunity chaque fois que possible.
  - Égaliser après 30 jours. (Inondé seulement).

Les étapes ci-dessus fourniront la meilleure opportunité pour la nouvelle batterie (s) à se joindre à la meute..

**Chargeur de batterie**

Le chargeur de batterie à bord fourni avec cet appareil est capable de charger des batteries au plomb de 185 à 350ah capacités. Il ne est pas nécessaire de changer les algorithmes ou les paramètres en fonction du fabricant de la batterie, ou la taille de la batterie.

Le chargeur peut également être configuré pour charger des piles inondées (humides), AGM ou Gel. Les voyants du chargeur indiquent le type de batterie que le chargeur est chargé de charger. Un paramètre concerne les batteries inondées et (la plupart) des batteries AGM, l'autre paramètre concerne les batteries Crown et Trojan AGM et GEL.

Selon le modèle de chargeur de batterie, le chargeur peut fonctionner sur 100/115/230 VAC 1ph 50/60 HZ, et détecte automatiquement ces tensions d'entrée. Avant de brancher le chargeur de batterie à l'alimentation, vérifiez l'étiquette sur le chargeur de batterie de vérifier la puissance d'entrée correcte.

**Détermination du type de la batterie**

**ATTENTION: DIFFÉRENTS TYPES DE BATTERIES ONT DES EXIGENCES DIFFÉRENTES DE CHARGE. NE PAS IDENTIFIER CORRECTEMENT TYPE DE BATTERIE ET DÉFINISSEZ LES CHARGEUR CONSÉQUENCE ENDOMMAGERONT BATTERIE, ET ANNULER LA GARANTIE.**

Votre machine peut avoir été commandé avec batteries installées à l'usine NSS. Le type de batterie standard, normalement fourni par NSS, est le (humide) de la batterie inondé de plomb de la cellule de l'acide. Les batteries au gel et AGM scellée peuvent également être disponibles à la demande du client.

Batteries inondées (humide) peuvent être facilement identifiés par les bouchons de cellules amovibles. Retrait des capuchons permet l'inspection de niveau de liquide électrolyte (acide sulfurique) dans chaque cellule.

AGM (Absorbed Glass Mat) batteries sont scellées, l'entretien des batteries gratuits. Le ne ont pas bouchons de cellules destinés à l'élimination. Cherchez "AGM" imprimé sur le dessus ou sur les côtés des piles.

Gel (électrolyte gélifié) batteries sont également scellés, l'entretien des batteries gratuits. Le ne ont pas bouchons de cellules destinés à l'élimination. Cherchez "GEL" imprimé sur le dessus ou sur les côtés des piles.

**Chargeur de batterie Indicateur LED**

Votre chargeur de batterie est équipé de LED qui indiquent ce qui suit:

- Type de batterie Cadre. Chacune de ces deux LED se allumera, chaque fois que le chargeur est branché, pour signaler le type (s) de batteries le chargeur est configuré pour charger. Les deux options sont disponibles:
  - Wet / AGM: Lorsque ce voyant est allumé, le chargeur est configuré pour charger soit (humide), ou batteries AGM inondées.
  - Gel cellulaire. Lorsque ce voyant est allumé, le chargeur est configuré pour charger les batteries Gel SEULEMENT. **Exception: Crown et Trojan AGM doivent être chargés de la mise Gel.**
- État des indicateurs de charge. Quatre LED supplémentaires fournissent des informations sur le niveau de charge des batteries pendant la charge.
  - 30%, 60%, 90% et 100%.
- Défaut indications. Pendant le chargement, le chargeur fournit une rétroaction sur le processus de charge et tous les problèmes détectés. Il fournira des commentaires et signaler le type de problème par des LED clignotant comme décrit ci-dessous:

Wet/AGM (Ambre)	Gel Cell (Ambre)	30 (Rouge)	60 (Rouge)	90 (Rouge)	100 (Vert)	Sens
Sur	Vide					Le chargeur est mis en place pour les batteries humides / AGM.
Off	Sur					Le chargeur est mis en place pour les batteries Gel.
Une lumière est allumée*	Sur	Vide	Vide	Vide	Vide	Le cycle de charge est en cours - dans la phase en vrac
Une lumière est allumée*	Sur	Sur	Sur	Vide	Vide	Le cycle de charge est en cours - dans la phase en vrac
Une lumière est allumée*	Sur	Sur	Sur	Sur	Vide	Le cycle de charge est en cours - dans la phase d'absorption
One light flashing*	Vide	Vide	Vide	Vide	Flashing	Le chargeur est proche de la fin du cycle de charge.
Une lumière est allumée*	Vide	Vide	Vide	Vide	Sur	Le cycle de charge est terminé.
Une lumière est allumée*	Clignotant	Vide	Vide	Vide	Clignotant	Batterie endommagée détectée. Une ou plusieurs batteries n'ont pas terminé le cycle de charge. Vérifiez les niveaux d'eau de la batterie. Les batteries peuvent être utilisées, mais ne fournissent pas l'exécution complète.
Une lumière est allumée**	3X Clignotant	Vide	Vide	Vide	1X Clignotant	Pas de piles détectés. Assurez-vous que la batterie est branché sur la machine. Contrôler le câblage. C'est également normal pour DeltaView.
Une lumière est allumée*	Clignotant	Clignotant	Vide	Vide	Vide	Batteries n'ont pas réussi à monter au-dessus de 1,74 volts par cellule dans les trois premières heures de charge. Les batteries sont endommagées et devront être remplacés.
Une lumière est allumée*	Vide	Clignotant	Clignotant	Vide	Vide	Charge du temps de cycle sur. Le cycle de charge n'a pas terminé dans le temps imparti. Vérifiez les niveaux d'eau de la batterie. Débranchez le chargeur et rebranchez-le. Laissez les batteries se rechargent de nouveau. Si le code est répété, alors il est probable que les batteries soient endommagées.
Une lumière est allumée*	Clignotant	Clignotant	Clignotant	Vide	Vide	Charge du temps de cycle sur. Le cycle de charge n'a pas terminé dans le temps imparti. Vérifiez les niveaux d'eau de la batterie. Débranchez le chargeur et rebranchez-le. Laissez les batteries se rechargent de nouveau. Si le code est répété, alors il est probable que les batteries soient endommagées.
Une lumière est allumée*	Clignotant	Vide	Clignotant	Vide	Vide	Interne à l'égard de la température. La température interne du chargeur a dépassé le maximum autorisé. Si possible, placez l'appareil à un endroit plus frais. Débranchez le chargeur et rebranchez-le. Laissez les batteries se rechargent de nouveau.

\* La lumière qui est en fonction de la configuration du chargeur (Wet / AGM ou Gel Cell)

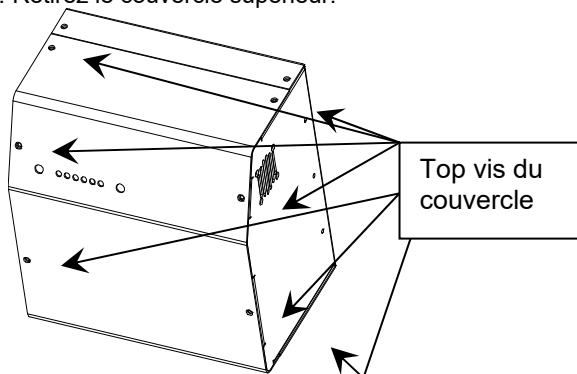
\*\* La lumière (Wet / AGM ou Gel Cell) ne restera pendant deux secondes

## Modification du Type de Batterie Cadre

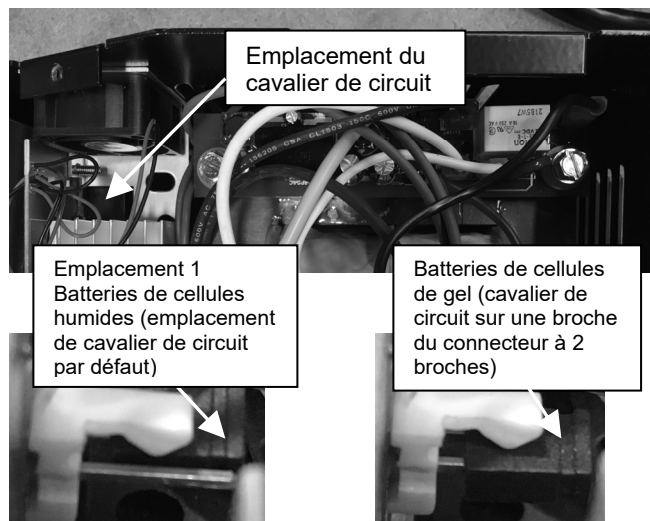
Le réglage standard pour le chargeur de batterie intégré est Flooded / AGM. EXCEPTION: Si votre machine a été commandée auprès de NSS équipée de batteries Crown AGM ou Gel, le chargeur a été configuré pour les batteries Gel en usine.

### Configuration du Chargeur pour Batteries au Gel:

1. Retirez le couvercle supérieur.



2. Retirez le cavalier du circuit du connecteur à 2 broches (emplacement 1), puis placez le cavalier du circuit sur l'emplacement 2 sur une seule broche du connecteur à 2 broches. Voir la photo ci-dessous.
3. Remettez le couvercle supérieur.



### Configurer le Chargeur pour les Batteries Inondées/AGM

1. Retirez le couvercle supérieur.
2. Tirez le cavalier de circuit du connecteur à 2 broches et installez le cavalier à l'emplacement 1 (sur les deux broches du connecteur à 2 broches).
3. Remettez le couvercle supérieur.

### Utilisation du Chargeur de Batterie

**PRUDENCE:** Différents types de piles ont des exigences de charge différents. Ne pas identifier correctement type de batterie et définissez les CHARGEUR EN CONSÉQUENCE causera des dommages de BATTERIE, et annuler la garantie.

Le chargeur de batterie est entièrement automatique. Il suffit

de brancher le chargeur dans une prise murale appropriée, et le chargeur charge les batteries. La LED verte de 100% sera allumé en continu quand le cycle de charge est complète. Un bruit de bouillonnement ou ébullition provenant des batteries pendant les dernières heures de la charge est normal. Les batteries peuvent être chaud, mais pas trop chaude au toucher.

#### L'égalisation des Batteries (Inondé Seulement)

Les piles doivent être égalisées une fois tous les 30 jours afin d'assurer une autonomie maximale.

Pour égaliser les batteries:

- Branchez le chargeur et recharger complètement les batteries (jusqu'à ce que la LED verte de 100% est allumé en permanence).
- Débranchez le chargeur de la prise murale, puis rebranchez-le dans le mur.
- Le chargeur de fonctionner pendant 2 heures, en maintenant les batteries à une tension constante, et égalisation de chaque cellule.

#### Batterie Faire et Ne Pas Faire:

- a. Vous n'avez pas à décharger complètement la batterie avant de la charger. Ils n'ont pas une "mémoire".
- b. Branchez le chargeur dans n'importe quand la machine n'est pas en cours d'utilisation.
- c. Ne laissez jamais le niveau d'électrolyte tombe au-dessous des sommets des plaques (batteries à cellules ouvertes). Cela pourrait endommager vos batteries presque immédiatement, et nullité de sa garantie de la batterie. Ils peuvent dire si ce qui s'est passé.
- d. NE JAMAIS remplir les batteries avec le bien ou l'eau du robinet (inondé piles).
- e. JAMAIS trop remplir les batteries (batteries à cellule).
- f. Ne laissez JAMAIS les batteries déchargées reposer toute la nuit (ou entre les quarts).
- g. TOUJOURS vérifier le niveau d'électrolyte sur tous les 3 ou 4 cycles de charge / décharge avant de charger.
- h. TOUJOURS remplir les batteries avec de l'eau distillée (si nécessaire) après la charge.
- i. TOUJOURS recharger complètement les batteries après utilisation (jusqu'à ce que la LED verte s'allume).
- j. Égaliser TOUJOURS les piles (inondées seulement) tous les 30 jours.
- k. JAMAIS PLUS DE DÉCHARGE!
- l. Ne jamais charger des batteries au gel avec le chargeur mis à INONDES / AGM.
- m. NE JAMAIS charger les batteries AGM / INONDES avec le chargeur mis à GEL. **EXCEPTION-Crown et Trojan AGM d'être accusé de GEL CADRE.**

#### Possibilité de Charge

Charge d'opportunité est en charge des piles lorsque l'occasion se présente, comme pendant les pauses, et se fait en plus d'un cycle de charge complet. Charge lorsque possible est recommandée, car ce temps de charge supplémentaire aidera à augmenter la tension de fonctionnement des

batteries, et aidera à assurer l'exécution maximum et durée de vie.

\*\* Le chargeur a été testé sur les batteries des fabricants suivants:

- Crown inondé cell
- Trojan inondé cell
- US Battery inondé cell
- Dekka inondé cell
- Crown gel
- Concord gel
- Discover AGM

**TABLE 1 Types de batterie**

NSS Numéro de l'article	Crown Numéro de l'article	tension de la batterie	Tension du système	Amp-heurer	TYPE BATTERIE
4491061	1-1470	12	36	215	inondé/AGM
3390361	1-1435	6	24 & 36	235	inondé/AGM
2392111	1-1427	12	24	115	SPE CURVE 0
6393651	1-1428	12	24	130	SPE CURVE 0
2392731	1-12145	12	24	98	SPE CURVE 1
6491931	1-1437	6	24 & 36	200	Gel
2691501	1-1450	6	36	350	inondé/AGM

#### Remarques sur les indications de LED par conformité DoE:

Lors de la première connexion à DC (AC non connecté), les LED afficheront un ou plusieurs des éléments suivants:

- Les voyants clignotent le code d'identification du chargeur (uniquement pour usage interne PCS). Une fois que les voyants clignotent, ils n'affichent qu'une seule LED jaune. Cette configuration restera jusqu'à ce que AC soit détecté et qu'un cycle de charge soit en cours.
- Il est également possible que les voyants ne clignotent pas leur code d'identification et n'affichent qu'une LED jaune.
- Enfin, les voyants peuvent ne pas clignoter leur code d'identification et ne peuvent pas afficher de voyants tant que le courant alternatif n'est pas détecté.

Si la ligne CA et les fils neutres sont inversés, l'unité attendra 2 minutes avant de commencer une charge. REMARQUE: La période d'attente de 2 minutes sera également un facteur si le chargeur est alimenté par autre chose que le courant alternatif normal du réseau, tel qu'un générateur conventionnel, un onduleur, etc.

Si la prise CA est déconnectée pendant la charge, l'appareil s'éteindra comme prévu. L'utilisateur peut entendre un bruit de clic, mais ne devrait pas être alarmé. Ceci est la fonctionnalité Powered by Battery / DOE qui vérifie la connexion AC.

# Comment lire les données de chargement à partir d'un chargeur de batterie Équipé de DeltaView® Link

## DeltaView Link

DeltaView Link est un système qui vous permet de lire les données de votre chargeur de batterie à l'aide d'une application sur votre smartphone. Le chargeur de batterie transmet les données au récepteur Bluetooth de votre téléphone.

Ces instructions s'appliquent aux chargeurs de batterie Dual Pro fabriqués après le 11-29-16. La date de fabrication est située sur la bande de codes à barres attachée au cordon de queue de cochon qui sort du chargeur. Ce chargeur de batterie se trouve sur les épurateurs Champ Rider, Wrangler 3330, Wrangler 2730, Wrangler 2625, certains modèles Wrangler 2016 et les marqueurs de batterie Chargeur.



## Instructions

**Étape 1.** Téléchargez l'application "DeltaView Link" Pro Charging Systems.

Pour Apple iPhones: accédez à la boutique d'applications et recherchez "DeltaView Link" par Pro Charging Systems, LLC.

Pour les téléphones Android: accédez au magasin de jeux et recherchez "DeltaView Link" par Pro Charging Systems, LLC.

**Étape 2.** Activez la fonction Bluetooth de votre téléphone. Si votre Bluetooth est éteint, l'application l'allume lorsque vous démarrez. Répondez "oui" lorsque vous êtes invité à activer Bluetooth.

**Étape 3.** Localisez l'icône "DeltaView Link" sur votre téléphone et appuyez dessus pour lancer l'application.

**Étape 4.** Une liste de tous les chargeurs de batterie qui sont connectés à une alimentation secteur à portée de votre téléphone apparaîtra. Appuyez sur un chargeur de batterie pour le sélectionner.

**Étape 5.** Suivez les instructions de l'application pour lire les données de votre chargeur. Vous trouverez des informations détaillées sur les 100 derniers cycles de charge.



## TRIO+: Codes épurateur système de diagnostic

### *Pannes système épurateur externes TRIO+*

<b>Code</b>	<b>Description du défaut</b>	<b>Mesure corrective</b>
0810	faute Throttle -1.0	Pour tous les codes de diagnostic d'accélérateur:
0811	Throttle max glace erreur de différence.	1- Vérifiez le câblage du accélérateur pour les courts métrages ou ouvre. Réparer ou remplacer si nécessaire.
0812	Maximale de Throttle tirer vers le bas erreur de différence.	2- Si le code de diagnostic ne est pas effacée, puis remplacer accélérateur (potentiomètre).
0813	Throttle traction maximale erreur de différence en toute sécurité.	" " " "
0814	Throttle erreur de référence.	" " " "
0815	Throttle faible erreur de référence.	" " " "
0816	Throttle erreur d'isolement de référence élevée.	" " " "
0817	Throttle faible erreur d'isolement de référence.	" " " "
0818	Erreur Throttle ont tous deux lectures.	" " " "
1310	Voyage courant excessif.	Haute tension - tension de la batterie dépasse paramètres du contrôleur.
1311	Auxiliaire mous 1 sur courant se est produite.	Brosse Ascenseur actionneur a dépassé la limite actuelle. Vérifiez les paramètres de fin de course, le câblage ou remplacer.
1312	Auxiliaire mous 2 sur courant se est produite.	Raclette Ascenseur actionneur a dépassé la limite actuelle. Vérifiez les paramètres de fin de course, le câblage ou remplacer.
1313	Auxiliaire mous 3 sur courant se est produite.	Solution solénoïde a dépassé la limite actuelle. Contrôler le câblage ou remplacer.
1314	Auxiliaire mous #4 sur courant se est produite.	Plafonnier ou Head Light dépassé la limite de courant. Contrôler le câblage (diodes), ou un dispositif remplacer.
1318	mous lumière de frein plus courant se est produite.	Circuit Corne a dépassé la limite actuelle. Contrôler le câblage (diodes) ou un dispositif remplacer.
131C	Alarm Jumperless-dessus du courant se est produite.	Beeper circuit a dépassé la limite actuelle. Contrôler le câblage ou le remplacement du dispositif.
1321	Auxiliaire 1 sur 2 courant se est produite.	Brosse Ascenseur actionneur a dépassé la limite actuelle. Vérifiez les paramètres de fin de course, le câblage ou remplacer.
1322	Auxiliaire 2 sur 2 courant se est produite.	Vide Ascenseur actionneur a dépassé la limite actuelle. Vérifiez les paramètres de fin de course, le câblage ou remplacer.
1411	Erreur 1 auxiliaire positif court-circuit - bas.	Vérifiez Brosse Ascenseur actionneur et le câblage. Réparer ou remplacer si nécessaire.
1412	Erreur 1 auxiliaire négative court-circuité-bas.	Vérifiez Brosse Ascenseur actionneur et le câblage. Réparer ou remplacer si nécessaire.
1413	Erreur 2 auxiliaire positif court-circuité-bas.	Vérifiez Raclette actionneur de levage et le câblage. Réparer ou remplacer si nécessaire.
1414	Erreur 2 auxiliaire négative court-circuité-bas.	Vérifiez Raclette actionneur de levage et le câblage. Réparer ou remplacer si nécessaire.
1501	Faute de frein 2.	Contrôler le câblage du circuit de freinage et de frein. Réparer ou remplacer si nécessaire.
1507	Frein erreur de surcharge actuelle.	Contrôler le câblage du circuit de freinage et de frein. Réparer ou remplacer si nécessaire.
1600	Erreur élevé de la batterie.	Batterie est surchargée ou endommagé. Remplacez la batterie.
1D02	Frontal changement de spécification voyage.	Paramètres d'entraînement ont été reprogrammés. Redémarrez avec interrupteur à clé.
1E03	Inhiber activé.	Fixer quelque condition est à l'origine d'inhibition signaux.
1E04	Inhiber activé 2.	Fixer quelque condition est à l'origine d'inhibition signaux.
1E06	Inhiber entrée hors de portée.	Signal d'inhibition non valide. Contrôler le câblage et le dispositif. Réparer ou remplacer si nécessaire.
2C00	Erreur de batterie faible.	Charge de la batterie trop faible. Recharger la batterie.
2C01	Batterie faible erreur 2.	Charge de la batterie trop faible. Recharger la batterie.

2C02	Batterie mous verrouillant se est produite.	Charge de la batterie trop faible. Recharger la batterie.
2C03	Batterie mous lock-out #2 se est produite.	Charge de la batterie trop faible. Recharger la batterie.
2F01	Tiller déplacé erreur.	Throttle déplacé la mise sous tension. Relâchez l'accélération, puis Re-enclencher l'accélérateur. Vérifiez les paramètres de potentiomètre (neutre).
3A00	Bad paramètres.	Illégales paramètres du programme.
7000	De démarrage avec push sélectionné.	pas applicable
7001	Poussez activé en mode d'entraînement.	pas applicable
7500	Tiller comms temps écoulé.	Problème avec le module LCD ou le câblage. Vérifiez la connexion du câble entre le contrôleur et LCD. Réparer ou remplacer si nécessaire.
7600	Moteur de la brosse mous d'erreur déconnecté.	Contrôler le câblage et les connexions moteur de la brosse.
7601	Courant de brosse douce replier.	Vérifiez Moteur Pour Brosse excessive ampérage. Vérifier les conditions de rotor bloqué (débris pris dans brosses, boîte de vitesses enfermé, etc.). Réparer ou remplacer si nécessaire.
7602	Courant de brosse douce replier 2.	Vérifiez Moteur Pour Brosse excessive ampérage. Vérifier les conditions de rotor bloqué (débris pris dans brosses, boîte de vitesses enfermé, etc.). Réparer ou remplacer si nécessaire.
7603	Courant de brosse douce replier 3.	Vérifiez Moteur Pour Brosse excessive ampérage. Vérifier les conditions de rotor bloqué (débris pris dans brosses, boîte de vitesses enfermé, etc.). Réparer ou remplacer si nécessaire.
7604	Doux inhibition de la brosse.	Vérifiez Moteur Pour Brosse excessive ampérage au démarrage. Réparer ou remplacer si nécessaire.
7605	Brosse démarrage détection de surintensité.	Vérifiez Moteur Pour Brosse excessive ampérage. Vérifier les conditions de rotor bloqué (débris pris dans brosses, boîte de vitesses enfermé, etc.). Réparer ou remplacer si nécessaire.
7700	Moteur d'aspiration souple erreur déconnecté	Contrôler le câblage du moteur à vide, les connexions et les brosses de carbone.
7701	Courant à vide souple replier.	Vérifiez le moteur à vide pour excessive ampérage. Réparer ou remplacer si nécessaire.
7702	Courant à vide souple replier 2.	Vérifiez le moteur à vide pour excessive ampérage. Réparer ou remplacer si nécessaire.
7703	Courant à vide souple replier 3.	Vérifiez le moteur à vide pour excessive ampérage. Réparer ou remplacer si nécessaire.
7800	Moteur de traction défaut -1.	Contrôler le câblage moteur d'entraînement, les connexions.
7801	Moteur de traction d'erreur de surintensité.	Vérifier le moteur d'entraînement pour excessive ampérage. Relâchez frein de stationnement. Remplacer si nécessaire.
7802	Moteur de traction souple dans l'état de retour pli.	Moteur de traction étant surchargé ou replier paramètres fixés trop bas.
7803	Ligne de Motor tensions instabilité timeout.	Vérifier le câblage du moteur d'entraînement, câblage contrôleur, connexions.
7880	Entrée de vitesse de traction hors de portée.	Vérifier le câblage du moteur d'entraînement, câblage contrôleur, connexions.
7900	Erreur d'arrêt d'urgence.	pas applicable
7901	Bouton de ventre mou activé.	pas applicable
8000	Mode de service.	pas applicable
9000	Brosses pas équipés.	pas applicable

## Possibles TRIO+ défauts internes

Code	Code	Code	Code	Des mesures correctives
0003	1800	3104	3603	Pour tous TRIO+ codes de diagnostic internes:
0100	1802	3105	3608	1 - Éteignez batteries de commutation et sectionneurs principaux.
0204	1B20	3200	3609	2 - Attendre 1 minute.
0705	1B21	3201	360a	3 - Rebranchez piles et allumez l'interrupteur à clé.
0706	2102	3210	360b	4 - Si le code de diagnostic ne est pas effacée, puis remplacer TRIO+.
0A01	2103	3211	360c	
0B02	2D01	3212	360d	
0B0B	3100	3213	360e	
1704	3101	3214	7501	
1705	3102	3601		
1706	3103	3602		

### DÉPANNAGE - SYSTÈME SIDEKICK CHIMIQUE MESURE

PROBLÈME	CAUSE	SOLUTION
Sidekick pompe ne fonctionne pas.	La pompe est mise hors tension. La vanne d'eau est coupée. Les brosses sont éteints.	Veiller à la pompe, soupape de solution, et les brosses sont allumés.
	Un câblage incorrect	Contrôler/réparer par un technicien qualifié
	Capteur de débit enfiché	Retirer capteur et souffler de l'air, 5psi [34 kPa] maximale à travers dans le sens opposé de la flèche sur la partie à éliminer l'obstruction.
Sidekick d'exploitation, mais pas de pompage chimique.	Fuite de vide au niveau des raccords sur bouchon de la bouteille, le tube Squeeze fissuré, bouteille chimique vide.	Vérifiez les raccords à bouchon de la bouteille de fuites. Remplacer le tube de compression en cas de fissure. Remplir la bouteille chimique.

### DÉPANNAGE

PROBLÈME	CAUSE	SOLUTION
Aucun écoulement de la solution.	La soupape de la solution est fermée.	Ouvrez la vanne de solution.
	Électrovanne d'eau ne est pas ouvert.	Rechargez les batteries.
	Obstruction dans le tuyau de solution.	Retirez l'obstacle.
	Soupape de solution ou un câble endommagé.	Réparer / remplacer le câble de la vanne.
	Réservoir de solution est vide.	Remplir le réservoir.
	Soupape de Solution est sale.	Nettoyer la vanne de solution.
	Endommagé siège et la rondelle dans la vanne.	Remplacer la vanne.
Ne sera pas ramasser tout l'eau du sol.	Raclette est écoulé.	Raclette inférieure.
	Interrupteur à vide du moteur est éteint.	Tournez l'interrupteur du moteur à vide sur.
	Réservoir de récupération est plein.	Videz le réservoir.
	Vide flotteur d'arrêt est coincé.	Retirez l'obstacle.
	Trou dans le boyau raclette.	Remplacer le tuyau.
	Moteur d'aspiration ne est pas en cours d'exécution.	Have a qualified technician repair.
	Bouchon de vidange pas serré.	Serrer le bouchon de vidange.
	Couvercle du réservoir de nettoyage est manquant.	Replacer le couvercle réservoir de nettoyage.
	Raclette est usé/endommagé.	Arrière / remplacer raclette.
	Obstruction/dégâts dans la raclette, le tuyau raclette ou borne-fontaine.	Enlevez l'obstruction/dommages de réparation.
Runtime est inférieure à l'état neuf.	Les sommets des piles sont sales / humides.	Nettoyez les bornes / sec et propre.
	Les bornes de la batterie sont sales / endommagé.	Nettoyez les bornes et les connecteurs, remplacer les câbles endommagés.



	Niveau d'électrolyte est trop bas.	Ajouter de l'eau distillée et la charge.
	Les batteries ne sont pas complètement chargées.	Rechargez les batteries jusqu'à ce que le voyant vert est allumé (en continu).
	Le chargeur de batterie est endommagé.	Avoir une réparation de technicien agréé.
	La batterie est défectueuse.	Vérifiez les codes d'erreur sur le chargeur de batterie. Vérifiez densités après déchargée et chargée.
	La capacité de la batterie est trop faible.	Remplacez-les par des batteries de plus grande capacité.
	Les batteries sont sulfatés. Ne laissez pas les batteries épuisées reposer toute la nuit sans recharge.	L'égalisation des batteries, peut-être 2 ou 3 fois, permettra de réduire le sulfatation. Batteries doivent être remplacés.
	Plateau de batterie pleine.	Vider le bac à batterie.
Le nettoyage est même pas.	Brosse / plaquettes sont usées.	Remplacer.
	Dommages à l'assemblage de brosse ou de la vanne de solution.	Avoir une réparation de technicien agréé.
	Moteur ne tourne pas.	Vérifiez les disjoncteurs. Réinitialiser si nécessaire, remplacer les balais de charbon, réparer le câblage, remplacer l'interrupteur.
	Pas assez d'eau ou inégale.	Vérifiez solution flexible pour le blocage.
La machine ne fonctionne pas.	Vérifiez le disjoncteur.	Réenclencher le disjoncteur. Vérifiez les connexions de la batterie.
	Code sur le panneau de commande.	Contactez un centre de service de réparation.
<b>Remarque:</b> Si les problèmes persistent après avoir pris les étapes ci-dessus, contactez votre centre de service agréé local pour plus d'évaluation et de réparation.		

## SPÉCIFICATIONS TECHNIQUES

		Champ 35	Champ 35 Whisker
Largeur (pas de raclette)	mm (in)	947 (37.3)	947 (37.3)
Largeur (raclette)	mm (in)	1168 (46)	1168 (46)
la taille	mm (in)	1351 (53.2)	1351 (53.2)
Longueur	mm (in)	1702 (67)	2139 (84.2)
Poids brut du véhicule	kg (lb)	235AH 350AH 683 772 (1506) (1701)	235AH 350AH 736 824 (1625) (1820)
Poids du véhicule vide	kg (lb)	343 (757)	403 (888)
Poids de transport	kg (lb)	605 (1333)	664 (1464)
Température nominale	°C (°F)	5-40 (40-104)	5-40 (40-104)
Indice de protection		IPx3	IPx3
Tension nominale	V	36	36
La fréquence	Hz	---	---
Puissance nominale	W	3808	4708
Puissance du moteur de la brosse	W (hp)	1492 (2.0)	1865 (2.5)
Puissance du moteur à vide	W (hp)	560 (0.75)	746 (1.0)
Pression des roues au sol	N/mm <sup>2</sup> (lb/in <sup>2</sup> )	Rear 0.9 (133) Front 0.8 (112)	Rear 0.9 (136) Front 1.0 (152)
<b>IEC/UL 60335-2-72</b>			
Niveau de pression acoustique L <sub>pA</sub>	dB(A)	≤70	≤70
Niveau de puissance sonore L <sub>WA</sub> +K <sub>WA</sub>	dB(A)	≤80	≤80
Vibration, bras de main	m/s <sup>2</sup>	0.507	0.507
Vibration-Corps entier	m/s <sup>2</sup>	≤0.5	≤0.5
Distance d'arrêt	m (ft)	<2.01 (6.6)	<2.01 (6.6)



# EC DECLARATION OF CONFORMITY



(FR) DECLARATION DE CONFORMITÉ (ES) DECLARACIÓN DE CONFORMIDAD (DE) KONFORMITÄTSEKHLÄRUNG (NL) VERKLARING VAN OVEREENSTEMMING (P) DECLARAÇÃO DE CONFORMIDADE (SV) DEKLARATION OM ÖVERENSSTÄMMELSE (DK) OVERENSSTEMMELSESEKHLÄRING (N) KONFORMITETSEKHLÄRING (FIN) VAATIMUSTENMUKAISUUSVAKUUTUS (GR) ΑΦΑΡΣΗ ΕΝΑΡΜΟΝΙΣΗΣ

**NSS ENTERPRISES, INC 3115 FRENCHMENS ROAD TOLEDO OHIO U.S.A. 43607 - 2958 PHONE 419/531-2121**

Authorized Technical Documentation Representative; Mark Bevington, NSS ENTERPRISES, INC. Unit 7 Pinfold Business Park, 55 Nottingham Road, Stapleford, Nottingham, NG9 8AD

MACHINE/MA CCHINA/MAQUINA/BEZEICHNUNG DER MASCHINE/MAQUINA/MA SKIN/KONE/ M A SKINE/MHXANH:  
**SCRUBBER-DRYER**

TYPE/TIPO/MASCHINENTYP/TYYPPI/ ΤΥΠΟΣ: **CHAMP 2929, 3329, 3529**

(EN) NSS ENTERPRISES, INC. declares that the machine specified above fulfills all relevant provisions of the following Directives and Standards:

(IT) NSS Enterprises, Inc. Dichiaro che il macchinario di cui sopra soddisfa tutte le pertinenti disposizioni delle seguenti direttive e standard:

(FR) NSS ENTREPRISES, INC déclare que la machine indiquée ci-dessus satisfait à toutes les dispositions pertinentes des directives et des normes suivantes :

(ES) NSS ENTERPRISES, Inc. Declara que el equipo especificado anteriormente cumple con todas las disposiciones pertinentes de las directivas y normas siguientes:

(DE) NSS ENTERPRISES, INC erklärt, dass die Maschine oben angegebenen alle einschlägigen Bestimmungen der folgenden Richtlinien und Normen erfüllt:

(NL) NSS Enterprises, Inc verklaart dat de machine hierboven aangegeven alle relevante bepalingen van de volgende richtlijnen en normen voldoet:

(PT) NSS ENTERPRISES, INC declara que a máquina especificada acima cumpre todas as disposições pertinentes das directivas e padrões a seguir:

(SW) NSS Enterprises, Inc. Intygar att maskinen anges ovan uppfyller alla relevanta bestämmelser i följande direktiv och standarder:

(FI) NSS Enterprises, Inc. Vakuuttaa, että laite edellä täyttää kaikki asiaankuuluvat määräykset seuraavien direktiivien ja standardien:

(DK) NSS Enterprises, Inc. Erklærer, at maskinen er angivet ovenfor opfylder alle relevante bestemmelser i følgende direktiver og standarder:

(NO) NSS Enterprises, Inc. erklærer at maskinen er angitt ovenfor oppfyller alle relevante bestemmelser i følgende direktiver og standarder:

(GR) NSS Enterprises, Inc δηλώνει ότι η μηχανή που περιγράφεται ανωτέρω πληροί όλες τις σχετικές διατάξεις των ακόλουθων οδηγιών και προτύπων:

EU Directives/directive UE/directives de l'UE/Directivas de la UE/EU-Richtlinien/EU-richtlijnen/directivas da UE/EU-direktiv/EU-direktiivit/EU-direktiver/EU-direktiver/οδηγίες της Ε.Ε.:

### **2006/42/EC Machinery Directive 2014/30/EU EMC Directive 2002/44/EC Vibration Directive**

Harmonized Standards/ Standard armonizzati/ normas harmonizadas/ Normas armonizadas/ Harmoniserte Normen/ geharmoniseerde normen/ normas harmonizadas/ harmoniserade standarder/ yhdenmukaistetut standardien/ harmoniserede standarder/ harmoniserete standarder/ εναρμονισμένα Πρότυπα:

**EN12100-1, EN12100-2, ISO11201, EN55012, IEC61000-6-2, EN60335-2-72, ISO2631-1, ISO5349-1/-2, EN62233**

This declaration shall cease to be valid if modifications are made to the machine without our approval. / Questa dichiarazione non è più valida in caso di modifiche apportate alla macchina senza il nostro consenso. / Cette déclaration cessera d'être valable si des modifications sont apportées à la machine sans notre accord. / Esta declaración dejará de ser válida si se realizan modificaciones en la máquina sin nuestra aprobación. / Diese Erklärung gilt nicht mehr gültig sein, wenn Änderungen an der Maschine ohne unsere Zustimmung vorgenommen werden. / Deze verklaring verliest haar geldigheid wanneer wijzigingen worden aangebracht aan de machine zonder onze goedkeuring. / Esta declaração deixará de ser válida se as modificações são feitas para o aparelho sem a nossa aprovação. / Denna förklaring skall upphöra att gälla om ändringar görs på maskinen utan vårt godkännande. / Tämä ilmoitus lakkaa olemasta voimassa, jos tehdään muutoksia koneeseen ilman meidän hyväksyntää. / Denne erklæring ophører med at være gyldige, hvis der foretages ændringer på maskinen uden vores godkendelse. / Denne erklæringen skal ophøre å være gyldig dersom modifikasjoner på maskinen uten vårt samtykke. / Η δήλωση αυτή παύει να ισχύει, αν έχουν γίνει τροποποιήσεις στο μηχανήμα χωρίς την έγκρισή μας.

It is ensured through internal measures that series-production units conform at all times to the requirements of current EU Directives and relevant standards. / Si è assicurata da misure interne che serie unità di produzione sono conformi in ogni momento alle esigenze delle attuali direttive CE e alle normative applicate. / Elle est assurée par des mesures internes que les séries unités de production sont conformes en tout temps aux exigences des directives européennes et les normes actuelles pertinentes. / Se garantiza a través de medidas internas que las unidades de producción en serie ajustarse en todo momento a las necesidades de las actuales directivas de la UE y las normas pertinentes. / Es ist durch interne Maßnahmen, die Serien-Geräte entsprechen jederzeit den Anforderungen der aktuellen EU-Richtlinien und den angewandten Normen entsprechen. / Het wordt gewaarborgd door interne maatregelen die serie-productie-eenheden te allen tijde te voldoen aan de eisen van de huidige EU-richtlijnen en relevante normen. / É assegurado através de medidas internas que as unidades de produção em série conformam em todos os momentos com os requisitos das Directivas actuais da UE e padrões relevantes. / Det säkerställs genom interna åtgärder som serietillverkade enheterna överensstämmer alltid med kraven i gällande EU-direktiv och relevanta standarder. / Se on varmistettu sisäisiä toimenpiteitä että sarjatuotantoyksiköt täyttävät aina vaatimuksiin nykyisten EU-direktiivien ja asiaankuuluvat standardit. / Det sikres gjennom interne foranstaltninger, som serie-produksjonsenheter oppfyller til enhver tid til kravene i de nuværende EU-direktiver og relevante standarder. / Det er sikret gjennom interne tiltak som serieproduserte enhetene samsvarer til enhver tid til kravene i gjeldende EU-direktiver og relevante standarder. / Διασφαλίζεται μέσω εσωτερικών μέτρων που μαζικής παραγωγής μονάδες συμμορφώνονται ανά πάσα στιγμή με τις απαιτήσεις των ισχυουσών οδηγιών της ΕΕ και των σχετικών προτύπων.



**NSS® Enterprises, Inc.**

3115 Frenchmens Road  
Toledo, Ohio 43607  
PHONE (419) 531-2121  
FAX (419) 531-3761  
mailus@nss.com  
www.nss.com