

# INSTRUCTION AND MAINTENANCE MANUAL



## M SERIES



---

# TABLE OF CONTENTS:

## 1. INFORMATIVE SECTION

1.1	Foreword.....	4
1.2	Main parts .....	7
1.3	Optional parts.....	8
1.4	Manufacturer's identification data.....	8
1.5	Identification plate.....	8
1.6	Permitted Uses .....	8
1.7	Authorised environmental conditions .....	9
1.8	Noise level.....	9
1.9	Technical data .....	10
1.10	Warranty.....	11

## 2. SAFETY SECTION

2.1	Safety Information.....	12
2.2	Safety recommendations.....	13
2.3	Safety plates and symbols .....	15
2.4	Residual risks.....	16
2.5	Applied Directives.....	17

## 3. HANDLING, UNPACKING AND INSTALLATION SECTION

3.1	Handling.....	18
3.2	Unpacking .....	19
3.3	Installation.....	21

## 4. OPERATION SECTION

4.1	Description of the controls .....	23
4.2	Operating cycle.....	24
4.3	Cleaning the filter .....	26
4.4	Emptying the bin .....	29
4.5	Inserting and locking the bin .....	31
4.6	Storage – Decommissioning .....	34

## 5. MAINTENANCE SECTION

5.1	Informative notes .....	35
5.2	General safety regulations .....	36
5.3	Replacing the filter .....	38
5.4	Troubleshooting .....	42
5.5	Scrapping.....	43



## 1. INFORMATIVE SECTION



This manual forms an integral part of the vacuum cleaner. Read this manual and the other attachments supplied carefully. Knowledge of the instructions here contained is indispensable for the safe use and maintenance of the vacuum cleaner

**IMPORTANT** - The DEPURECO term and logo in this document refer to and are the property of **DEPURECO INDUSTRIAL VACUUMS S.r.l.**

This document remains the exclusive property of DEPURECO S.r.l. Full or partial reproduction by any means (graphical, electronic, etc.) is prohibited without prior authorisation from the Company Management.

### 1.1 Foreword

Dear Customer

Thank you for having chosen DEPURECO; we hope you will enjoy using your new DEPURECO M series vacuum cleaner. This manual has been drafted in order for our customer to fully appreciate the quality of this machine. Please read all sections before using the machine for the first time.

It includes information, recommendations and important warnings concerning the use of the vacuum, which will help fully exploit the technical properties of your machine.

Read messages, warnings and indications preceded by the following symbols carefully:



For the safety of people



For the integrity of the vacuum cleaner



For the safeguard of the environment



This manual describes the following models:

**M 65**

**M 100**

**M 65 JetClean®**

**M 100 JetClean®**

**M 100 Longopac®**

**M 100 JetClean® Longopac®**

The vacuum cleaner is equipped with the following filters:

- IFA/BGIA “M” CLASS STAR FILTER (P11718)
- TEFLON FILTER (P11719)
- HEPA FILTER CARTRIDGE (P09778)

The vacuums are classified according to the following dust classes:

**L**

Low risk – suitable to separate dust with an exposure limit value of  $> 1 \text{ mg/m}^3$  on the basis of the occupied volume

**M**

Medium risk - suitable to separate dust with an exposure limit value of  $> 0,1 \text{ mg/m}^3$  on the basis of the occupied volume

**H**

High risk – suitable to separate all dusts with all exposure limit values on the basis of the occupied volume, including cancerogenic and pathogenic dusts.

This manual provides all the necessary information for the use and maintenance of the vacuum cleaner.

This specific model has undergone strict testing to ensure maximum reliability. Its operation and durability will depend on proper use and maintenance.

This manual is an integral part of the vacuum cleaner and must accompany it at all times, until its demolition.

In the event it is lost or damaged, you can request another copy from DEPURECO INDUSTRIAL VACUUMS S.r.l. (henceforth shortened to DEPURECO).



---

The technical information contained in this manual is exclusive property of DEPURECO and must be considered confidential.

Reproduction, even partial, of graphics, text and illustrations is prohibited by law.

Some details shown in the figures in this manual may differ from those on your vacuum; this is because some components may have been removed to ensure maximum illustration clarity.

This manual has been divided into sections for easy consultation and each section has been identified by a specific graphical symbol.

The topics covered in this manual are those expressly required by Machinery Directive 2006/42/EC and the technical data are taken from the technical file archived at DEPURECO.

With reference to Regulation 1907/2006/EC (REACH), DEPURECO hereby declares that no Substances of Very High Concern - (SVHC) included in the Candidate List, are contained in its products.

This manual should be kept in a place accessible to all personnel in charge with operating and performing maintenance on the vacuum cleaner.

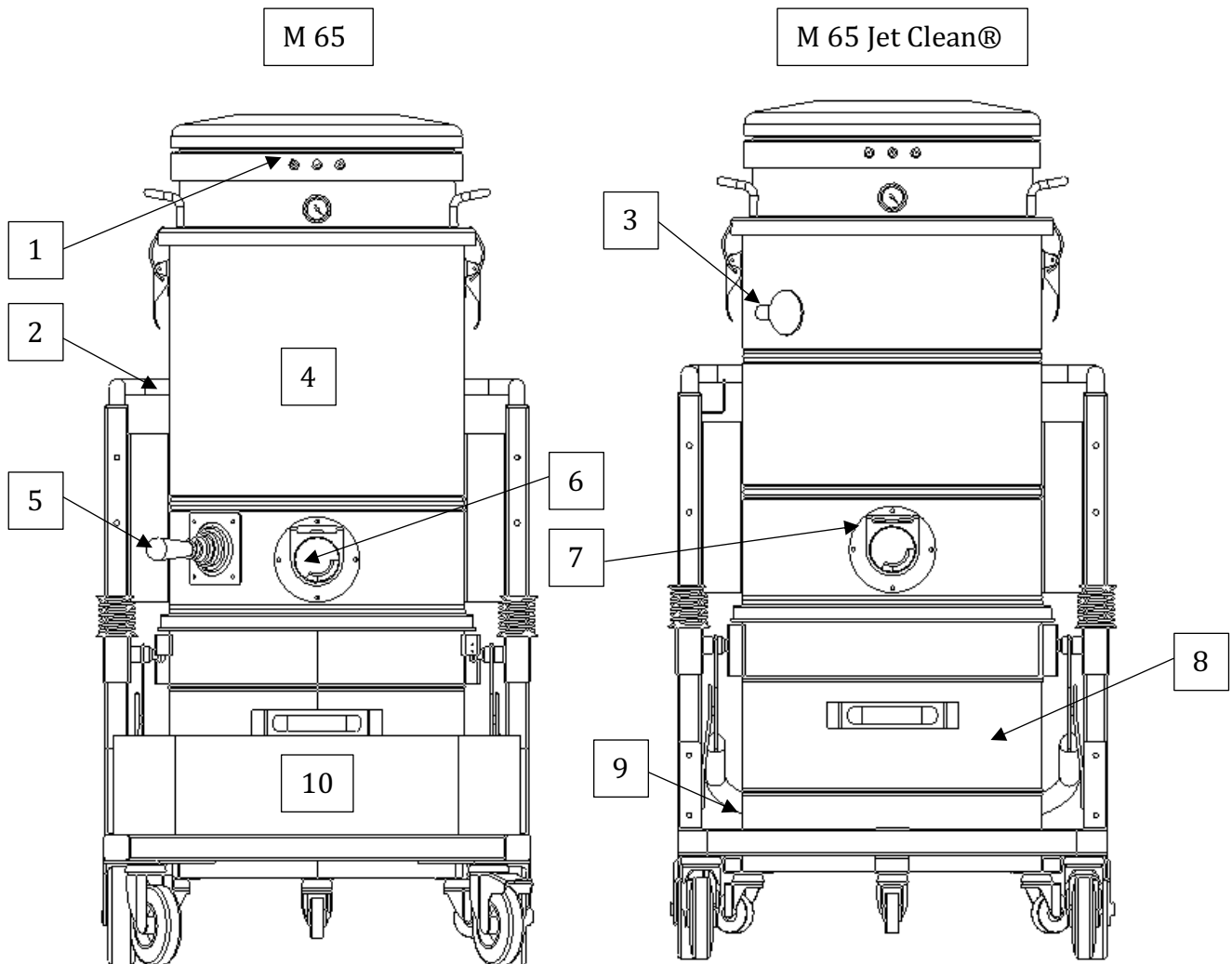
In the event of any dispute arising, the Court of Turin (Italy) shall have jurisdiction



This manual forms an integral part of the vacuum cleaner. Read this manual and the other attachments supplied carefully. Knowledge of the instructions here contained is indispensable for the safe use and maintenance of the vacuum cleaner



## 1.2 Main parts



1. Commands
2. Vacuum handle
3. JetClean® valve
4. Filter chamber
5. Filter shaker handwheel
6. Suction inlet
7. JetClean® sliding damper
8. Dust/ Debris Bin
9. Bin handle
10. Accessories Bin



### 1.3 Optional parts

A wide range of optional accessories is available from DEPURECO depending on the intended use of the vacuum.

### 1.4 Manufacturer's identification data

#### DEPURECO INDUSTRIAL VACUUMS S.r.l.

Corso Europa 609 - 10088 Volpiano (TO) - ITALY

phone +39 011 98 59 117 - fax +39 011 98 59 326 | VAT NO. 02258610357

e-mail: [depureco@depureco.com](mailto:depureco@depureco.com) - website: [www.depureco.com](http://www.depureco.com)

### 1.5 Identification plate

The data on the vacuum identification plate must be referred to in any correspondence with the manufacturer or the dealer.

<b>DEPURECO</b>		Corso Europa 609 10088 VOLPIANO	
		Tel. 011/98.59.117 Fax 011/98.59.326	
		MADE IN ITALY	
Model		Serial No.	
Dust class	kg	Year	
			
		 ATEX	

### 1.6 Permitted Uses

These vacuum cleaners are designed and built according to the 2006/42/CE (Machine Directive) for an exclusive professional industrial use; either way, for any non-domestic use,

This vacuum cleaner is suitable for the cleaning and the collection of solid materials, only in covered areas.

The vacuum cleaner was conceived to be used by only one operator.

In accordance with the Directive 1999/92/EC, whenever in the presence of combustible dust and/or flammable gas, it's the responsibility of the employer to carry out the classification of the Zone and to choose a device in the appropriate category (According to the definition given in the 2014/34/EU Directive).

Any other use is considered **IMPROPER**.



## 1.7 Authorised environmental conditions

To ensure the correct operation, the vacuum cleaner must be kept away from atmospheric agents (rain, hail, snow, fog, dust in suspension, etc.) in an area with a room temperature range between 0° and 40°C and a relative humidity no higher than 70%.

The work environment must be clean and suitably lit.

## 1.8 Noise level

The phonometric tests performed on this specific vacuum cleaner model demonstrate a sound pressure level of

M 65/100  
M 100 Longopac®  
M 65/100 JC  
M 100 JC Longopac®

72 dB(A)



### WARNING!

Workers exposed to sound pressure levels higher than 85 dB(A) must be protected by suitable personal protection device (PPE) such as certified ear muffs.



Under these conditions, workers must be provided with adequate training and information on risks arising from noise exposure.





## 1.9 Technical data

	U.M.	M 65/100	M 100 Longopac®	M 65/100 JetClean®	M 100 JetClean® Longopac®
Weight*	[Kg]	80	70	80	70
Overall dimensions**	[mm]	660 x 800 x 1300/1515	660 x 800 X 1515	660 x 800 x 1300/1515	660 x 800 X 1515
Voltage   Frequency	[V] – [Hz]	230   50/60			
Power	[kW – HP]	3,9 – 5,2			
Maximum vacuum	[mBar]	250			
Maximum air flow	[m <sup>3</sup> /h]	570			
M filter surface	[m <sup>2</sup> ]	2,4		4,0	
Noise level	[dB-A]	72			
Bin capacity	[L]	65/100	-	65/100	-

(\*) weight without packaging - packaging weight = 20 Kg

(\*\*) machine dimensions without packaging



---

## 1.10 Warranty

DEPURECO guarantees this model of vacuum cleaner for a period of 24 months from the date of purchase, indicated on the receipt at the time of delivery of the product.

The guarantee is null and void in the event that the vacuum is repaired by unauthorised third parties or by using equipment, accessories or components not supplied or not authorised by DEPURECO, or if the serial number is removed (during the guarantee period).

For the duration of the guarantee, DEPURECO undertakes to repair or replace free of charge parts and components which prove to have manufacturing defects.

Repairs will be exclusively executed at a DEPURECO site or in a DEPURECO approved Assistance Centre and the machine must be sent free of charge (freight cost at user's charge unless otherwise agreed).

The guarantee does not cover cleaning of working parts.

The purchase invoice must be shown to the authorised technical personnel carrying out the repair and must accompany the vacuum during its shipment.

Defects that are not evidently due to materials or manufacturing will be examined solely at our premises or at a Technical Service Centre of our choosing.

Should the complaint be unjustified, all repair and/or replacement expenses shall be charged to the purchaser.

In any case, the following items are not covered by the guarantee: accidental damage due to transport, negligence, abnormal use, improper use, non-compliance with the instructions contained in this booklet or arising from phenomena that do not depend on normal use/operation of the vacuum.

DEPURECO shall not be held liable for any injuries to persons or damage to objects caused by misuse or improper use of the vacuum.

In the event of any dispute arising, the Court of Turin (Italy) shall have jurisdiction.



To use the warranty, visit [www.depureco.com](http://www.depureco.com) or photocopy the form available on the last page of this manual, fill it in all its parts (in capital letters would be recommended), and send it via fax to Depureco at the number + 39 011 98 59 117



**In the event of doubts, avoid interpreting the information!  
Call your reseller immediately!**



## 2. SAFETY SECTION

### 2.1 Safety Information



As per Italian Legislative Decree 81/08 and subsequent modifications, the Safety Manager must train and inform workers about the risks involved with using the vacuum cleaner so that they may be able to avoid injury to themselves and others.

The use of device by people (including children) with limited physical and mental capacities or lacking in experience and knowledge is strictly forbidden, unless they are supervised by a person who is experienced in the use and safe handling of the device.

Children must be supervised to make sure they will not play with the device.

Failure to comply norms, laws or basic safety precautions, may cause accidents during operation, maintenance and repair of the vacuum cleaner. Accidents can frequently be avoided by recognising potentially hazardous situations before they occur. Adequate training is crucial to this end.

DEPURECO shall not be held liable for accidents or damage due to the improper use of the vacuum by untrained personnel or to failure to comply, even partially, with the occupational safety standards and intervention procedures contained in this manual.

Safety warnings and precautions are indicated in this manual as well as on the product itself.

Operators must pay special attention to these hazard warnings to prevent accidents with serious consequences for themselves and other people.

DEPURECO designs and manufactures its equipment and accessories with care, identifying and compensating possible risks related to their use. In the event of equipment, procedures, work methods or techniques not expressly provided for by DEPURECO being used, it is crucial to ensure beforehand that there are no dangers for oneself and the others. Nevertheless, DEPURECO shall not be held liable.



#### **Use exclusively Depureco original spare parts.**

Depureco disclaims any liability in case spare parts other than original have been used.



---

## 2.2 Safety recommendations



### WARNING!

The following information is essential in view of preventing all hazards that may occur while the vacuum cleaner is running. However, they cannot replace the expertise and common sense of operators as an overall framework for the prevention of accidents.

Structural damage, alterations or improper repairs can modify the protective capacity of the vacuum, thereby nullifying this certification and releasing DEPURECO from any liability.

Each section lists further safety measures specific to the various functions.

### WARNING!

#### Setting to work – connection to the power supply

- Make sure there is no evident sign of damage to the vacuum cleaner before starting work.
- Before plugging the vacuum cleaner into the electrical mains, make sure the voltage rating indicated on the data plate corresponds to that of the electrical mains.
- Plug the vacuum cleaner into a socket with a correctly installed ground contact/connection. Make sure that the vacuum cleaner is turned off.
- The plugs and connectors of the connection cables must be protected against splashes of water.
- Check that the vacuum cleaner is properly connected to the electrical mains.
- Use the vacuum cleaner only when the cables that connect to the electrical mains are in perfect condition (damaged cables could lead to electric shocks!).
- Regularly check there are no signs of damage, excessive wear, cracks or ageing on the electric cable.

### WARNING!

#### When the vacuum cleaner is operating, do not:

- Crush, pull, damage or tread on the cable that connects to the electrical mains.
- Only disconnect the cable from the electrical mains by removing the plug (do not pull the cable).
- Only replace the electric power cable with one of the same type as the original: H07 RN - F. The same rule applies if an extension is used.
- The cable must be replaced by the manufacturer's Service Centre staff or by equivalent qualified personnel.



---

# CAUTION!

## It is absolutely forbidden;

- For underage and non-trained people to use this vacuum cleaner.
- To connect the vacuum cleaner to mains without suitable earthing.
- To operate the vacuum cleaner outdoors in the presence of atmospheric precipitations.
- To operate the vacuum cleaner without locking the swivelling wheel through the special brake located on it.
- To operate the vacuum cleaner on uneven ground or in non-horizontal positions.
- To operate the vacuum cleaner in corrosive environments.
- To operate the vacuum cleaner in working environments not classified according to the directions given on the device's plate.
- To vacuum the following materials:
  1. Flaming materials (embers, hot ashes, lit cigarettes etc...)
  2. Open flames
  3. Combustible gases
  4. Flammable, combustible or aggressive liquids (gasoline, solvents, acids, alkaline solutions etc...)
  5. Dusts/Substances and/or spontaneously combusting explosive mixtures of them (magnesium or aluminium dusts etc...)
- To tamper with or modify the return valve set up by the manufacturer
- The use of the JETCLEAN system in the presence of potentially explosive clouds in the atmosphere.
- To carry out maintenance on the vacuum cleaner in ATEX classified areas
- To carry out maintenance on the vacuum cleaner without first having switched the device off and disconnected the plug from the socket.
- To keep foreign materials such as debris, oil, tools or other objects in the bin which could disrupt the functioning and cause harm to people.
- To use flammable or toxic solvents such as gasoline, benzene, ether or alcohol for cleaning.
- To operate the vacuum cleaner without the filtering unit provided for by the manufacturer.
- To operate the vacuum cleaner without safety devices.
- To wear loose or flowing apparel such as ties, scarves, or torn clothing that could get caught on the vacuum cleaner or vacuumed by the device.
- To open the waste bin while the vacuum cleaner is working.
- To open the waste bin in an area which has been classified potentially explosive.
- To use extension leads, plug-in connection devices and adapters.
- To climb on the vacuum cleaner.



- To touch electrical wires, switches, buttons, etc. with wet hands.
- To touch some components which could reach high temperatures (such as the motor's terminal box and the motor housing in particular) while operating the vacuum cleaner.



**WARNING!**

This vacuum cleaner could contain dust that may be hazardous to your health. The emptying out and maintenance procedures, including removing the dust containers, must be carried out exclusively by specialized personnel wearing suitable safety clothing. Never switch the machine on in the absence of a complete filtering system.

### 2.3 Safety plates and symbols

Plates with safety symbols and/or messages are applied to the vacuum and its packaging. These pages show their precise location and the nature of the hazard.



**Warning!**

Ensure that all safety messages are perfectly legible. Clean them using a cloth with water and soap. Do not use solvents, naphtha or petrol. Request replacements for damaged plates from DEPURECO. If a plate is located on a component that is being replaced, make sure to fit the old plate to the new component.



**Warning!**

Crushing hazard for the upper limbs during insertion and locking of the dirt container under the vacuum cleaner. Never place your hands between the vacuum and the dirt container while inserting and locking the latter under the vacuum cleaner. Lock the container by means of the special lever, using BOTH HANDS



**Warning!**

Read carefully this use and maintenance manual before using the vacuum cleaner or carrying out maintenance operations on it



Read carefully the instructions on the packaging before handling the vacuum cleaner

## 2.4 Residual risks

DEPURECO recommends complying with the instructions, procedures and recommendations in this manual and with the safety standards in force. DEPURECO also recommends using suitable personal protective equipment as well as the protection devices integrated in the vacuum.

The residual risks analysed on the vacuum and/or its components could be:

### **Electrical risks during maintenance due to the requirement to work on live parts**

Pursuant to Italian Legislative Decree 81/08 – articles 80 to 87 – it is prohibited to operate on live parts, notwithstanding the exceptions set forth by said Legislative Decree.

### **Risks associated with incorrect use in presence of explosive and inflammable liquid substances**

The vacuum must not be used in environments containing liquid substances or liquids that can evaporate at room temperature, inflammable powders and gas.

### **Risks related to operation in humid environments**

Respect the limitations indicated in this manual, in section 1.5 “Authorised environmental conditions”.

### **Risk of incorrect interpretation of the safety pictograms**

With reference to risk analysis and identification, DEPURECO has installed hazard labels on the vacuum, in compliance with the standards concerning graphical symbols.

The user must immediately replace any safety plate rendered illegible due to wear or damage.



**Warning!**

The removal of safety plates from the vacuum and/or its components and packaging is strictly prohibited.

DEPURECO shall not be held liable for the vacuum's safety in the event of failure to comply with this prohibition.



---

## 2.5 Applied Directives

The following directives apply to the vacuum cleaner described in this manual:

- 2006/42/EC Machinery Directive
- 2014/30/EU Electromagnetic compatibility directive
- 2011/65/EU ROHS - Directive on the restriction of the use of certain hazardous substances in electrical and electronic equipment
- 2014/35/UE Low tension directive

The reference standards, including their binding requirements, are managed within the DEPURECO Quality Management System and archived by DEPURECO.





### 3. HANDLING, UNPACKING AND INSTALLATION SECTION

#### 3.1 Handling

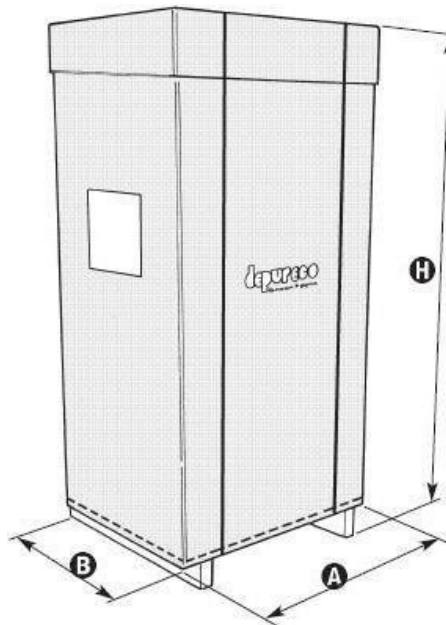


**Warning!**

The instructions for transporting and unpacking the vacuum correctly are shown on the packaging as well.

The following instructions also indicate the operations to be undertaken should the vacuum need to be re-packed or unpacked after subsequent transportation.

Dimensions of packed vacuum cleaner:



	U.M	A	B	H
<b>Tutti I modelli</b>	cm	75	100	190



The vacuum cleaner must be lifted and handled exclusively using a forklift having suitable load bearing capacity.

When using a forklift, lift the load 200 mm off the ground and swing backwards.

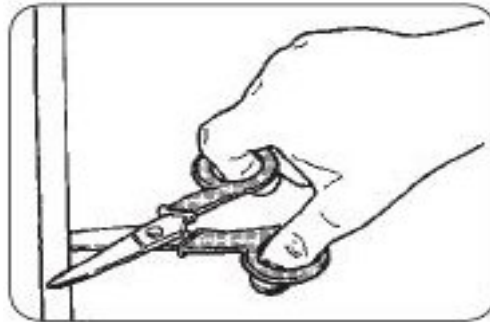
Always keep the height of the working environment in mind when lifting loads.

Before starting any movement, ensure that the area is cleared and that there are no moving objects on the packaging. For lifting and handling, apply operating safety laws and normal instructions for fork-lift truck driving.

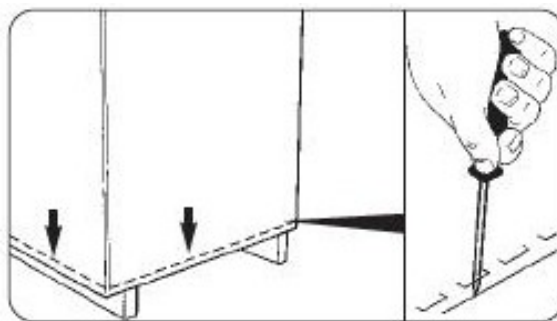


### 3.2 Unpacking

- Cut and unwind the two packaging fixing belts



- remove the staples that fix the carton packaging to the pallet with the aid of a screwdriver

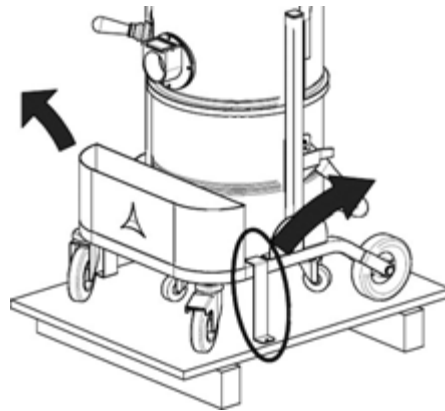


- remove the carton completely





- Unscrew and remove from both sides the fixing screws and brackets.



The cardboard packaging can be recycled. To protect the environment, make sure to dispose it off in specialised collection centres.



**Warning!**  
Keep the pallet.  
In the event of subsequent transport, the vacuum must be secured to the pallet using the same fastening system.



### 3.3 Installation



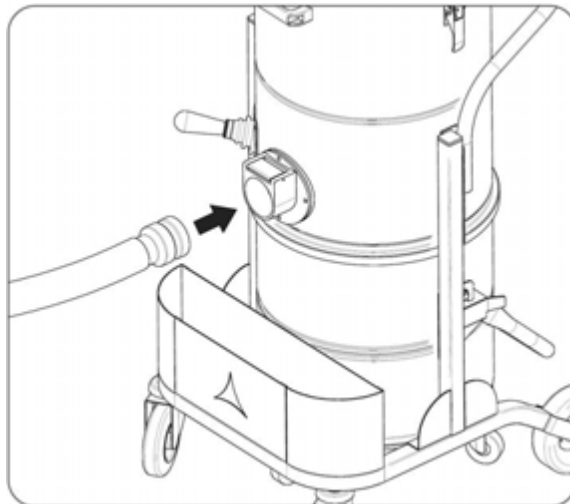
**Caution!**

Before installing the vacuum, it is important to carry out a thorough preventive visual inspection to identify any damage which may have occurred during transport.

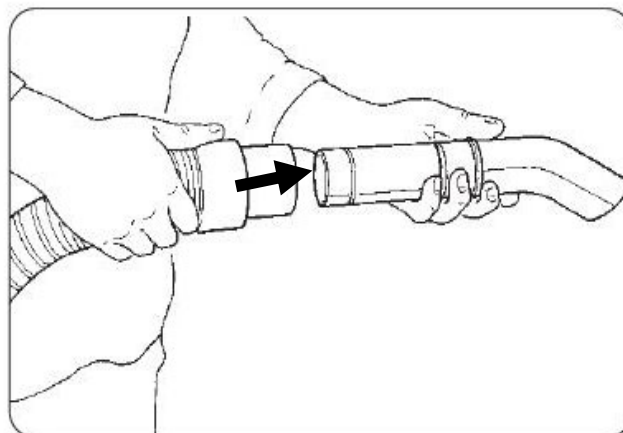
In the event of one or more components being damaged, do not continue with installation, inform DEPURECO about the anomaly and agree upon action to be taken.

The vacuum cleaner is already fitted with an appropriate filter intended exclusively to vacuum dry dust or debris

- Insert the hose equipped with a sleeve in the special suction inlet



- insert the desired accessory according to the type of extraction on the opposite side of the hose





---

Note: the flexible hose and the relevant end-pieces and accessories are not included with the STANDARD model. Contact your dealer (or DEPURECO) for information regarding the various types of OPTIONALS that can be used on this specific model.

**The following operation must be carried out by a qualified electrician.**

Ensure that the power supply line corresponds to the voltage and frequency indicated on the identification plate and that it is efficiently earthed.

The vacuum cleaner's electrical current supply socket must be protected by a CE-marked circuit breaker.

Insert the plug (standard supply) into the socket.



**Warning!**

**Do not insert the plug in the power supply socket with wet hands.  
Do not use extension leads.**



## 4. OPERATION SECTION

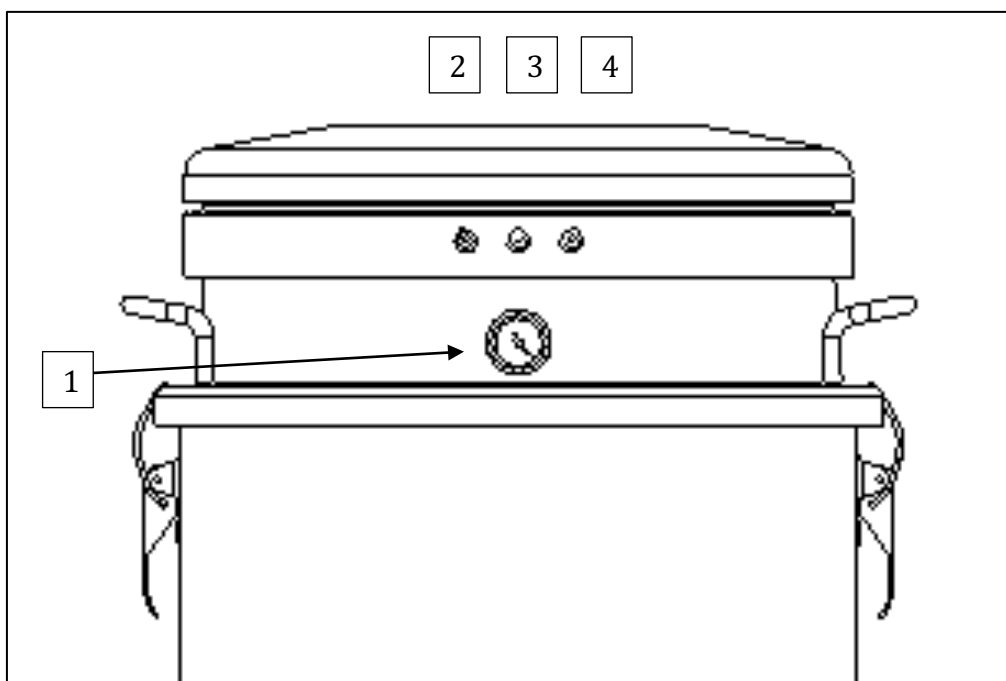
### 4.1 Description of the controls



#### Warning!

The vacuum can be used solely by authorised personnel after having read these use and maintenance instructions.

The user of the equipment and the maintenance technician, who carry out operations on the vacuum, must be adequately educated, informed and trained, in compliance with the occupational safety standards in force and, during the various operations, must wear personal protective equipment (PPE), such as safety footwear, gloves, protective goggles, mask, etc. The user must comply with the provisions in force concerning extracted materials and their disposal.



1. Pressure Gauge: indicates filter clogging
2. Switch (first motor)
3. Switch (second motor)
4. Switch (third motor)



## 4.2 Operating cycle

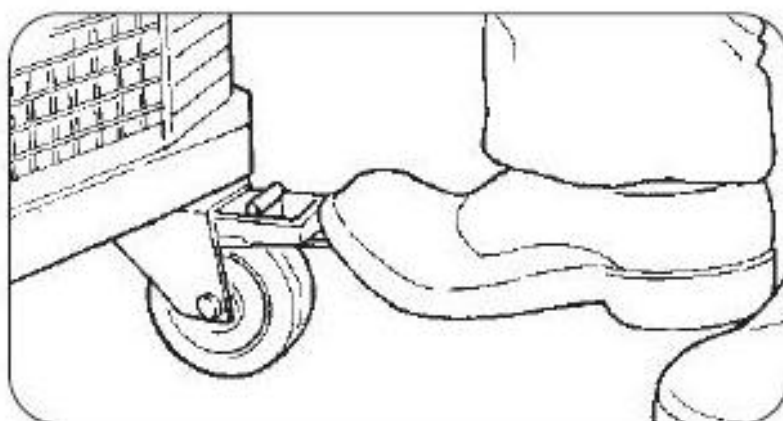
Ensure that the power cord is intact and in perfect state.



### Warning!

Before inserting the plug, ensure that the voltage of the power supply line corresponds to the one indicated on the vacuum's identification plate.

- Make sure the plug is correctly inserted into the socket
- Make sure the hose is properly inserted and locked in the suction inlet.
- Make sure the bin or the Longopac® sac are located and blocked under the filtering chamber of the vacuum cleaner
- Secure the vacuum cleaner using the lever on the swivel caster, as shown in the figure.



### Warning!

Do not move the vacuum cleaner while it's working

- Hold the end of the hose with the chosen vacuum accessory.
- Activate the motor with the first switch (2) and start vacuuming
- For greater suction power activate the second motor with the second switch (3) and the third motor with the third switch (4)
- To turn the vacuum off the previously activated motors must be deactivated
- Once operations are over, disconnect the vacuum cleaner from the socket



Use the handles on the back of the machine to move the vacuum cleaner.

For greater comfort, the most frequently used accessories can be placed in the dedicated accessories basket.



**Caution!**  
While the device is running, prevent the flexible hose from rolling up or kinking.

On the vacuum cleaner is located a vacuum gauge which indicates the vacuum level inside the vacuum cleaner. If with the vacuum cleaner on and the suction inlet free the vacuum gauge shows the value reported in the table below, the filter is clogged. Stop the machine and clean the filter.

Model	Clogged filter value	
All models	-0.22 bar	-22 kPa



**Caution!**  
Never use the vacuum cleaner with the filter clogged.

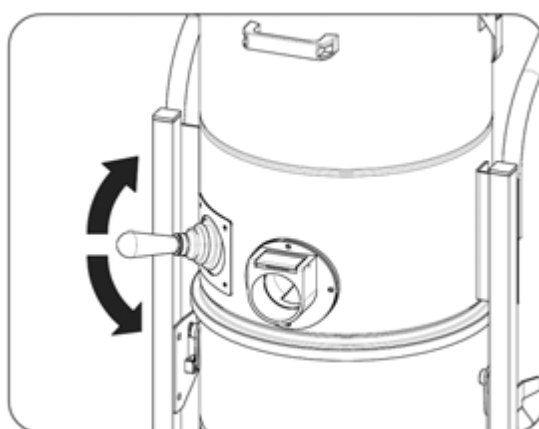




### 4.3 Cleaning the filter

To clean the filter, proceed as follows:

- Switch the vacuum off by turning off all the previously activated motors through the switches located on the vacuum's head
- Wait until the motor has fully stopped
- Lift and lower the lever vigorously to shake the inner filter



#### Warning!

If the vacuum cleaner, after cleaning the filter, doesn't work correctly it's possible that the filter is clogged and must be replaced.



#### Caution!

If after cleaning the filter the vacuum gauge still shows irregular values, the accessory and/or the hose might be clogged. In that case, it will be necessary to clean them, removing the cause of the clogging.



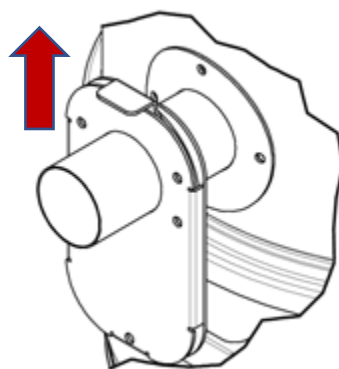
#### 4.4 Cleaning the filter (JetClean® System)

To clean the filter cartridge, the vacuum cleaners in the "JC" model, are equipped with the JetClean® cleaning system. The system works thanks to the difference in pressure between the internal atmosphere and the external atmosphere leading to the dust becoming detached from the filtering fabric of the cartridge, without needing to switch the vacuum cleaner off.

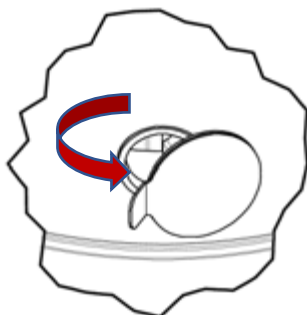
The system is made up of a disk lid on the filter chamber and a shutter situated on the inlet.

Proceed as follows to clean the filter:

- With the vacuum cleaner turned on, lift the sliding damper on the inlet

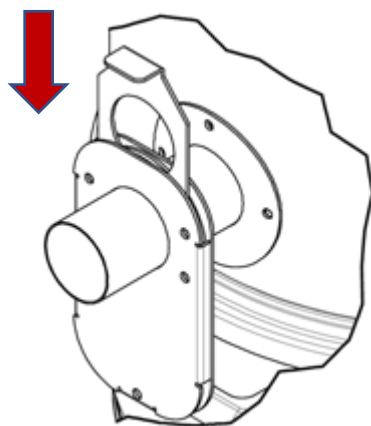


- Open the JetClean® valve for a few seconds and repeat this operation a couple more times. For greater efficiency of the cleaning system, switch both motors on





- 
- Lower the shutter (detail no. 7, chap. 1.2) and resume normal use



**Warning!**  
The JetClean® cleaning system only works with the vacuum cleaner switched on.



## 4.5 Emptying the bin

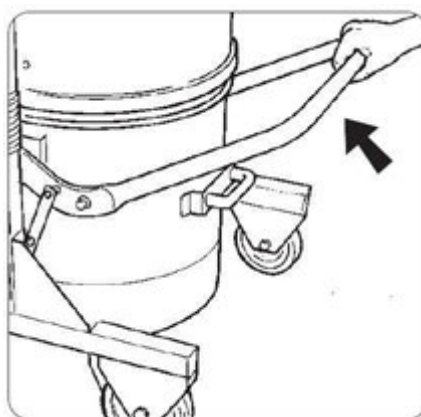


**Warning!**  
Wear appropriate PPE (dust mask, latex gloves, goggles, etc.).

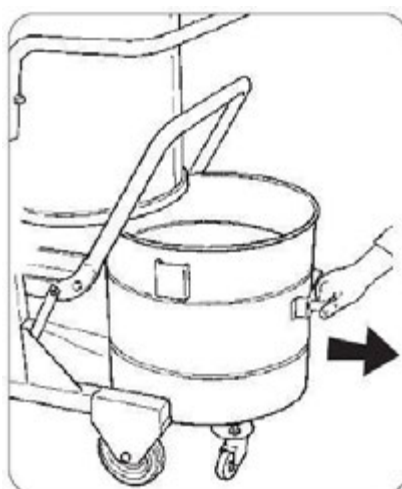
Depending on the type and quantity of material being vacuumed, it is necessary to periodically check the bin to avoid filling it excessively.

Proceed as follows to empty the container:

- Switch the machine off
- As previously mentioned the vacuum is blocked thanks to the brake on the pivoting wheel
- Unlock the container by lifting the special handle.

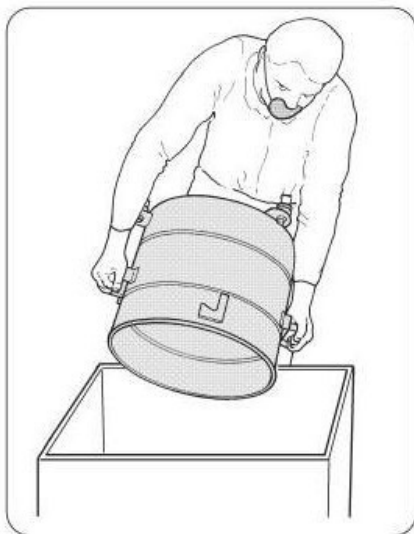


- remove the bin using the handles





- empty the bin in a dedicated container for waste disposal



In the case the chosen collecting container is a plastic bag proceed as follows for its replacement:

- After having removed the bag, tie it, dispose of it and insert a new bag in the bin



**Warning!**

**If the bin weighs more than 15 Kg, at least two people are needed to empty it.**

Waste disposal must take place in accordance with the laws in force in the country of use of the vacuum cleaner - for Italy Legislative Decree 152/2006 and amendments



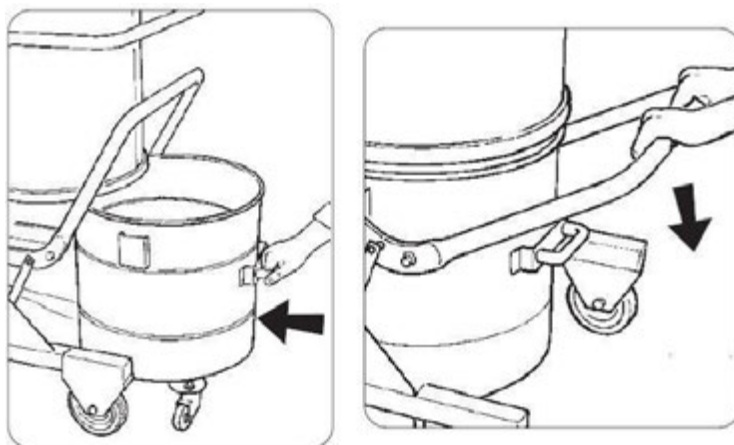
## 4.6 Inserting and locking the bin

Depending on the type and quantity of material being vacuumed, it is necessary to periodically check the bin to avoid filling it excessively.

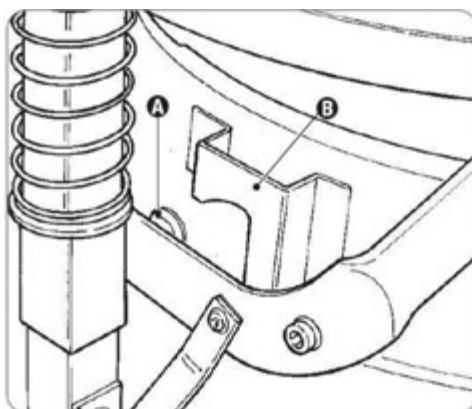
Proceed as follows to empty the container:

Follow the steps below to insert and lock the container:

- Place the bin under the vacuum's chamber
- Lower the lever blocking the container completely with both hands



- The pins (A) must be aligned with the slots (B)



### Warning!

Crushing hazard for the upper limbs during insertion and locking of the dirt container under the vacuum cleaner. Never place your hands between the vacuum and the dirt container while inserting and locking the latter under the vacuum cleaner.



## 4.7 Replacing parts of the Longopac® sac (if provided)



**Warning!**  
Wear appropriate PPE (dust mask, latex gloves, goggles, etc.).

Depending on the type and quantity of material being vacuumed, it is necessary to periodically check the sac to avoid filling it excessively.

Proceed as follows to replace the portions of used sac:

- Switch the machine off
- Block the vacuum cleaner using the lever on the swivelling wheel
- Close the upper part of the sac with a clamp (provided with the kit)
- Separate the sac portions by cutting between the two clamps
- Remove the portion of the sac containing the vacuumed material, then pull the sac until it reaches the plate at the bottom of the vacuum cleaner to have another sac, ready for use.
- Resume with the machine's usual operations



**Warning!**  
**If the sac weighs more than 15 Kg, at least two people are needed to empty it.**  
Waste disposal must take place in accordance with the laws in force in the country of use of the vacuum cleaner - for Italy Legislative Decree 152/2006 and amendments

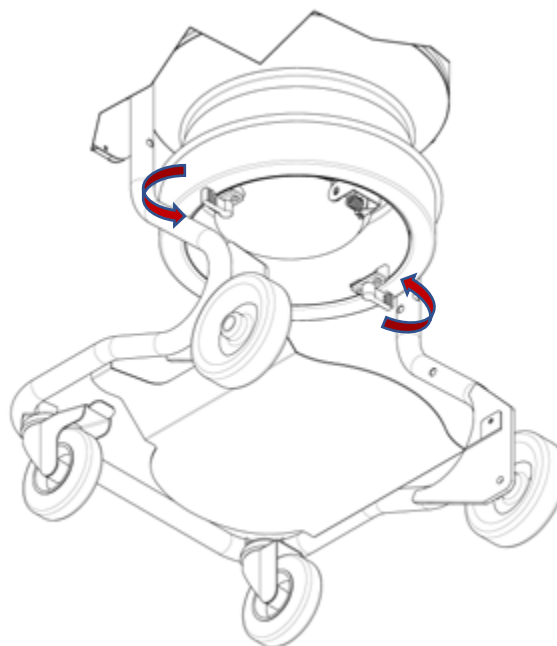
Pay attention to the graphical references on the sac, they indicate the remaining length of the sac.



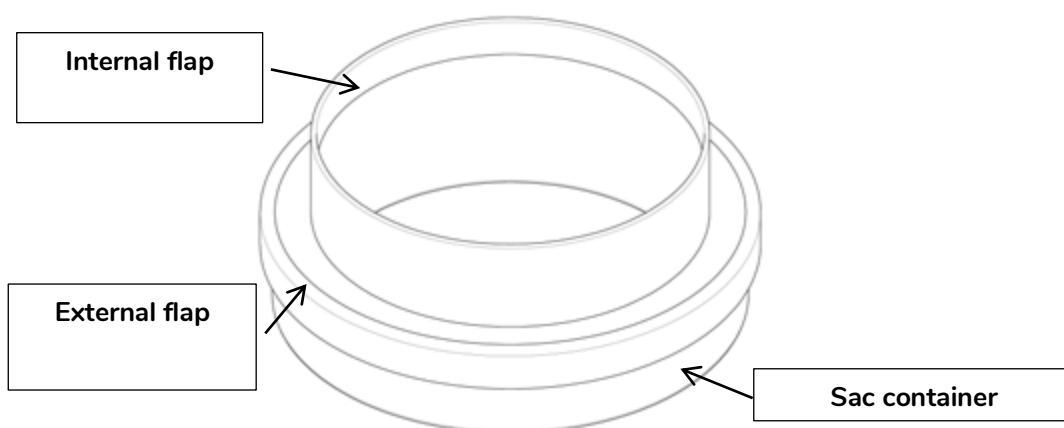
## 4.8 Replacing the Longopac® sac (if provided)

To replace the Longopac® sac, operate as follows

- Switch the vacuum off
- Rotate the red hooks under the filter chamber to unlock the sac's support ring



- Take the ring out and remove the last portion of the sac
- Position the sac inside the ring ensuring that both the internal flap and the external one are out of the container's edges.







- 
- Position the support ring under the chamber and block it with the red hooks
  - To prepare the first portion of the sac, pull towards the vacuum's base and close the end of the sac with the supplied clamp
  - Switch the vacuum cleaner on and immediately assess its regular operation

#### **4.9 Storage – Decommissioning**

Remove the filter and clean it; empty the refuse collection container and store the vacuum in a place protected against weather agents with the temperature ranging between 5 and 45 °C and cover it with a nylon tarp to protect it against dust.



## 5. MAINTENANCE SECTION



### Warning!

Special vacuum maintenance must be carried out solely by specialised technicians authorised by the DEPURECO dealer.

### 5.1 Informative notes

This section describes the checks and routine maintenance operations required to ensure proper vacuum operation.

Maximum reliability and minimum maintenance costs are the result of a planned maintenance and inspection schedule carefully followed throughout the entire lifespan of the vacuum.

Observe the set maintenance intervals and schedule the interventions according to specific requirements in relation with the vacuum production cycle.

Always use perfectly working tools specifically intended for the operation to be carried out; the use of inadequate or inefficient tools can cause severe damages.

Any other intervention required to remove faults or malfunctions must be expressly authorised by the manufacturer.

In these cases, always communicate the vacuum identification data - see para. 1.4 of this manual.

For significant repairs, refer to the authorised dealer, whose specialised personnel has the technological expertise and is always available for prompt interventions.

For user maintenance operations, the vacuum must be disassembled, cleaned and maintained, where possible, in such a way as to prevent hazards to the maintenance personnel and to third parties. Suitable precautionary measures include decontamination before dismantling, measures for filtered forced ventilation of the room where the appliance is disassembled, cleaning of the maintenance area and suitable personal protection equipment.

Once every three months (or more frequently, according to the operating cycle and the conditions of use), the manufacturer or a qualified technician must check the filters, ensuring that they are not damaged; the tightness of the air system and proper operation of the control devices.

Should maintenance operations or repairs be carried out, all contaminated objects must be adequately cleaned, placed in waterproof bags and disposed of in compliance with the regulations in force.



## 5.2 General safety regulations



### Warning!

All the operations described above must be carried out with the plug disconnected from the socket.



Before starting any maintenance or cleaning operation, wear suitable PPE (protective clothing, goggles and/or gloves, etc.) according to the work to be done.

Place a sign on the vacuum with the message:

“MACHINE UNDER MAINTENANCE  
DO NOT START”



Before returning to use, the whole system must be checked according starting procedures.

Run a few trial operating cycles after every maintenance operation to ensure proper machine operation.

Failure to observe these precautions can cause serious injury to personnel.

Maintenance operations must be carried out by trained technicians specialised in the following sectors:

- Mechanical maintenance
- Electrical maintenance

It is the Safety Manager's duty to ensure the professionalism and skills of these technicians.

**Before starting any maintenance operation, the Safety Manager must:**

- Keep unauthorised personnel out of the work area.



- Ensure that the necessary tools are in good conditions and readily available to the maintenance technician.
- Ensure the maintenance technician is equipped with the personal protection equipment required for the specific operation (gloves, goggles, shoes, mask, etc.)
- Make sure the maintenance technician has carefully read the instructions contained in this manual and has perfectly acquired knowledge on the operation of the vacuum and its components.



- Ensure that there is enough light and, if necessary, provide 24 Volt torches.

**Before starting any maintenance operation, the Maintenance technician must:**

cut off all power supplies and set the vacuum cleaner in safety lock condition



**Warning!**

If absolutely necessary operating with the power turned on, pursuant to Italian Legislative Decree 81/08, the maintenance technician must maintain a safe distance, prepare reachable emergency stop buttons and never place hands in the discharge container.

At the end of the procedure and before returning to use, the maintenance technician must check that guards are functioning correctly and the protection devices are intact.

Operations on the motors or on other electrical components must only be carried out by the specially trained electrical maintenance technician authorised by the Safety Manager.



**Warning!**

After any maintenance intervention, the Health and Safety Manager is required to check the safety conditions of the vacuum cleaner and of its safety devices.

**Before every work shift**

- Check that the power cord and the plug are not damaged: replace them immediately if there are any signs of wear, using a cord of the same type (information c/o DEPURECO). This operation is the sole responsibility of an electrician.
- Check the integrity of the safety symbols (pictograms) applied to the vacuum cleaner.
- Verify the efficiency of the filters by checking the vacuum gauge.
- Check the integrity of the hose and of the accessories to be used.



**Warning!**

The flexible hose, if perforated, reduces the suction power and releases dust into the surrounding environment.



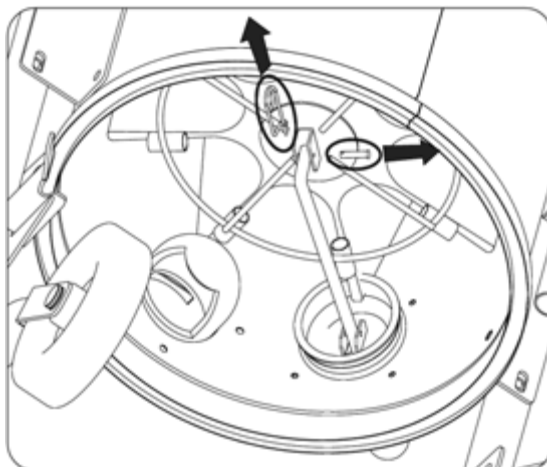
### 5.3 Replacing the filter



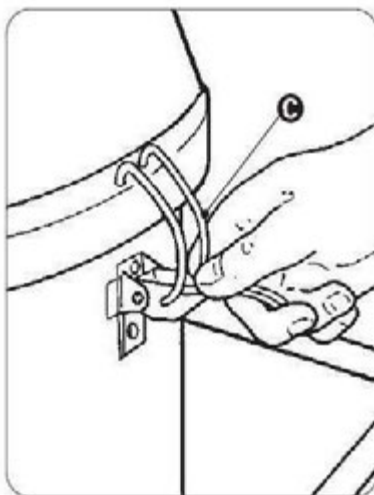
**Warning!**  
Wear appropriate PPE (dust mask, latex gloves, goggles, etc.).

Proceed as follows to replace the filter:

- Switch the machine off
- Unplug the vacuum cleaner from the socket
- Remove the bin or the Longopac® sac
- From the lower side of the filter chamber, release the clip and remove the retaining pin of the cage from the filter shaking lever

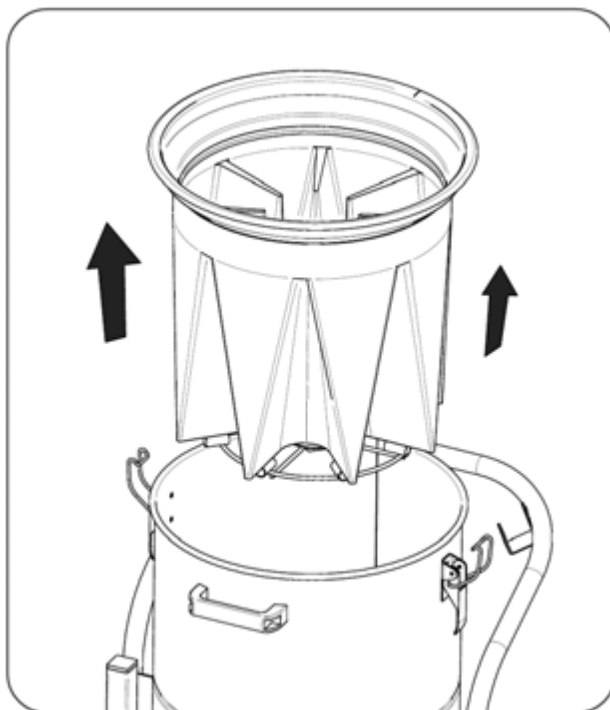


- Unlock the two locking hooks (C) on both sides

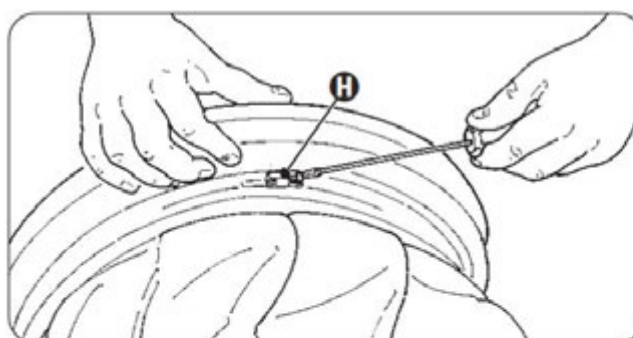




- Remove the vacuum's cap
- Remove the HEPA filter and/or the S.P. cleaning system (if provided)
- Slip out the filter and place all components on a work bench



- Loosen the fastening clip (H), remove the filter from its support and, using scissors, cut the lower belts that clamp it to the filter's cage



Remove the filter, put it in a plastic bag, seal it and dispose it of according to the current legislation on the type of material extracted



**To reassemble the filter**, operate in reverse order:

- Insert the new filter in the support ring and lock it by means of the fastening clip (H)
- lock the filter to the cage by tying the special laces on the bottom side
- insert the filter with ring and cage inside the filtering chamber paying particular attention to the alignment of the cage with the filter shaker's handle
- Insert the lever's end into the appropriate seat on the bottom of the cage, then insert the fastening clip
- Place the HEPA Filter (if provided) on top of the filter
- Insert and block the bin or the Longopac® sac
- lock the cap with the dedicated locking hooks (C)
- Connect the vacuum cleaner to the mains
- Turn the vacuum cleaner on, immediately assessing its efficient operation



## 5.4 Replacing the HEPA filter (if provided)

Proceed as follows to replace the filter:

- Switch the vacuum off
- Disconnect the vacuum cleaner from the power socket
- Unlock the HEPA filter from both sides of the vacuum's head
- Remove the vacuum's head
- Remove the HEPA filter and lay it, overturned, on a work bench. Then unscrew the filter's fastening screw



remove the filter, put it in a plastic bag, seal it and **dispose it of according to the applicable legislation on** the type of material collected.

**To reassemble the HEPA filter**, operate in reverse order:

- Fit the new filter and screw it onto the holding cage by means of the screw previously removed. Make sure it is correctly fixed.
- Reposition the HEPA filter on the filter chamber and lock it with the appropriate locking hooks
- Position the vacuum cleaner's head above the HEPA filter, then lock it with the appropriate locking hooks
- Connect the vacuum cleaner to the mains
- Switch the vacuum cleaner on by positioning the main switch to "I", then check to make sure it works properly.

**EXCLUSIVELY USE FILTERS MANUFACTURED BY DEPURECO**





## 5.5 Troubleshooting

FAULT DETECTED	POSSIBLE CAUSE	SOLUTION RECOMMENDED
The vacuum cleaner will not start	<ul style="list-style-type: none"> <li>- No electric supply</li> </ul>	<ul style="list-style-type: none"> <li>- Check for the presence of voltage in the socket</li> <li>- Check the integrity of the socket and the cable</li> <li>- Contact DEPURECO's technical assistance</li> </ul>
Irregular values on the pressure gauge	<ul style="list-style-type: none"> <li>- Clogged filter</li> </ul>	<ul style="list-style-type: none"> <li>- Shake the filter</li> <li>- If this solution is not effective, replace it.</li> </ul>
	<ul style="list-style-type: none"> <li>- Clogged hose</li> </ul>	<ul style="list-style-type: none"> <li>- Check the vacuum hose and clean it.</li> </ul>
Dusts come out of the vacuum cleaner	<ul style="list-style-type: none"> <li>- Pierced filter</li> </ul>	<ul style="list-style-type: none"> <li>- Replace the filter</li> </ul>
	<ul style="list-style-type: none"> <li>- Filter not suitable for the vacuumed material</li> </ul>	<ul style="list-style-type: none"> <li>- Install a filter suitable for the vacuumed material</li> </ul>
Excessively noisy motors	<ul style="list-style-type: none"> <li>- Worn out or broken brushes</li> </ul>	<ul style="list-style-type: none"> <li>- Contact DEPURECO's technical assistance</li> </ul>
	<ul style="list-style-type: none"> <li>- Motor fan not balanced</li> </ul>	<ul style="list-style-type: none"> <li>- Contact DEPURECO's technical assistance</li> </ul>



## 5.6 Scrapping



In case of scrapping, to avoid damage to the environment, all components of the vacuum cleaner, must be disposed of responsibly, in appropriate landfills, in compliance with current legislation - for Italy Legislative Decree no. 152/2006 and subsequent amendments. (subsequent modifications and additions).

Before scrapping the machine, the plastic and rubber materials must be separated from the electrical material.

Correct disposal of the product (electrical and electronic equipment waste)

The electrical and electronic parts of this product must be disposed of in compliance with Italian Legislative Decree 151/2005 and subsequent amendments. (Directive 2002/96/EC on WEEE - Waste Electrical and Electronic Equipment)

The parts of the vacuum made of plastic material, aluminium and steel can be recycled in appropriate centres.



**In the event of doubts, avoid interpreting the information! Call immediately your reseller!**



MAINTENANCE LOG:

INTERVENTION 1:

DATE:

TECHNICAL ASSISTANCE:

TYPE OF INTERVENTION:

---

INTERVENTION 2:

DATE:

TECHNICAL ASSISTANCE:

TYPE OF INTERVENTION:

INTERVENTION 3:

DATE:

TECHNICAL ASSISTANCE:

TYPE OF INTERVENTION:

---

INTERVENTION 4:

DATE:

TECHNICAL ASSISTANCE:

TYPE OF INTERVENTION:



**Depureco Industrial Vacuums Srl**  
Società soggetta a direzione e coordinamento COFISE spa

Corso Europa, 609 - 10088 Volpiano (TO)  
**Tel.** +39 011 98.59.117  
**Fax** +39 011 98.59.326

PERFORMANCE ON VACUUM SINCE 1972

[www.depureco.com](http://www.depureco.com)  
[depureco@depureco.com](mailto:depureco@depureco.com)  
[depureco@documentipec.com](mailto:depureco@documentipec.com)

**C.F. e P.I.** 02258610357  
Registro Imprese di Torino - **R.E.A.** TO-1149668  
**Capitale Sociale:** € 25.000 i.v.

