

ATEX junction boxes



product description

Flintec offers a range of ATEX certified junction boxes, suitable for use in hazardous areas.

The painted aluminium junction box and the stainless-steel junction box are designed to connect up to 4 load cells in parallel.

The polyester junction boxes are designed to connect up to 6 respective 8 load cells in parallel.

All boxes are available with explosion protection according Ex ia IIC T6 (with "EX ia" name plate and blue cable glands). The aluminium box is also available with explosion protection according Ex e IIC T6 (with "EX e" name plate and black cable glands).

All junction boxes can be connected with a shielded 6-wire cable to the instrumentation.

applications

Universal applications in weighing machinery, process weighing, test & measurement and process automation and control sectors.

key features

Stainless steel, aluminium or polyester construction

Explosion protection II 2G Ex ia IIC T6 (all boxes) and II 2G Ex e II / T6 (only for KAEX-4)

Explosion protection II 2D Ex tD A21 (all boxes)

For 4, 6 or 8 load cell connection versions

Environmental protection rated to IP66

Cable connection with screw terminals



RoHS
compliant



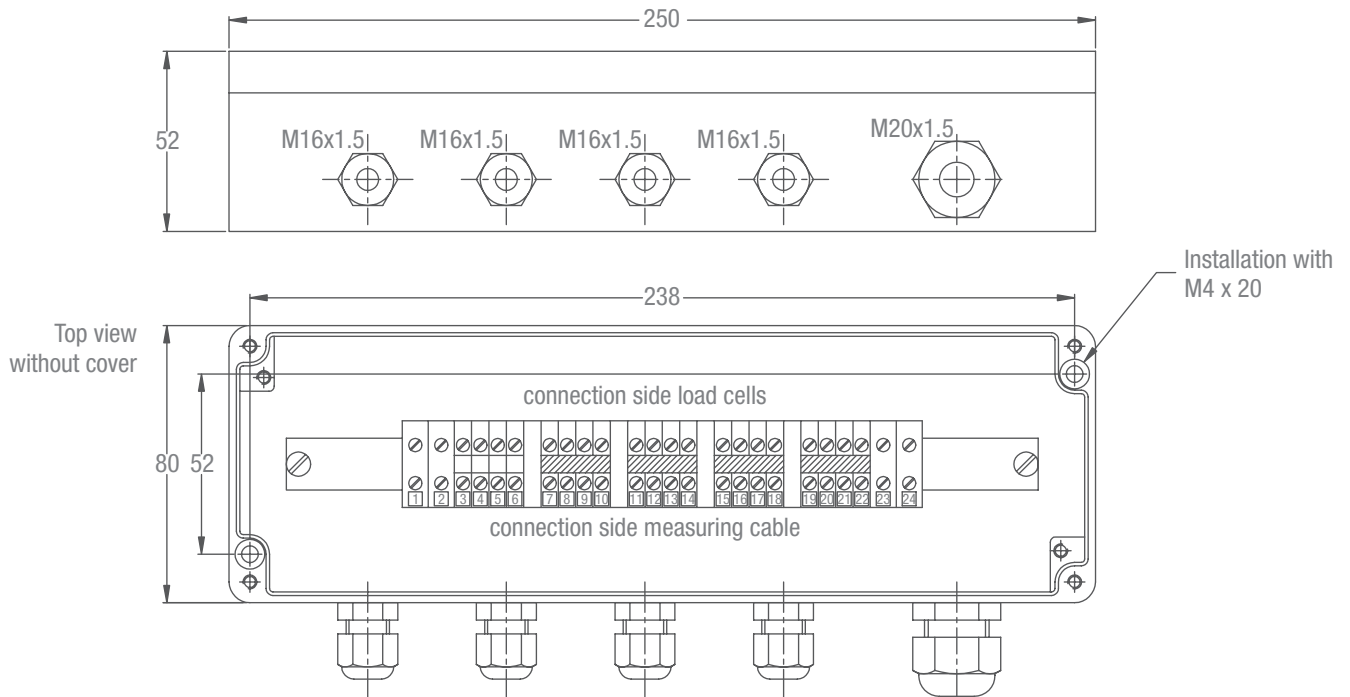
EEX Junction boxes (ATEX)

Type	Housing	Inputs	Outputs	Sizes (mm)	Designation
KAEX-4	Aluminium, IP66	4x M16x1.5	1x M20x1.5	80 x 250 x 52	II 2G Ex e II / T6 II 2G Ex ia IIC T6 and II 2D Ex tD A21
KEEX-4	Stainless steel, IP66			100 x 200 x 63	
KPEX-6	Polyester, IP66	6x M16x1.5		160 x 260 x 90	
KPEX-8		8x M20 x 1.5		160 x 360 x 90	

Cable gland M16x1.5 for cable diameter 5...9 mm

Cable gland M20x1.5 for cable diameter 9...13 mm

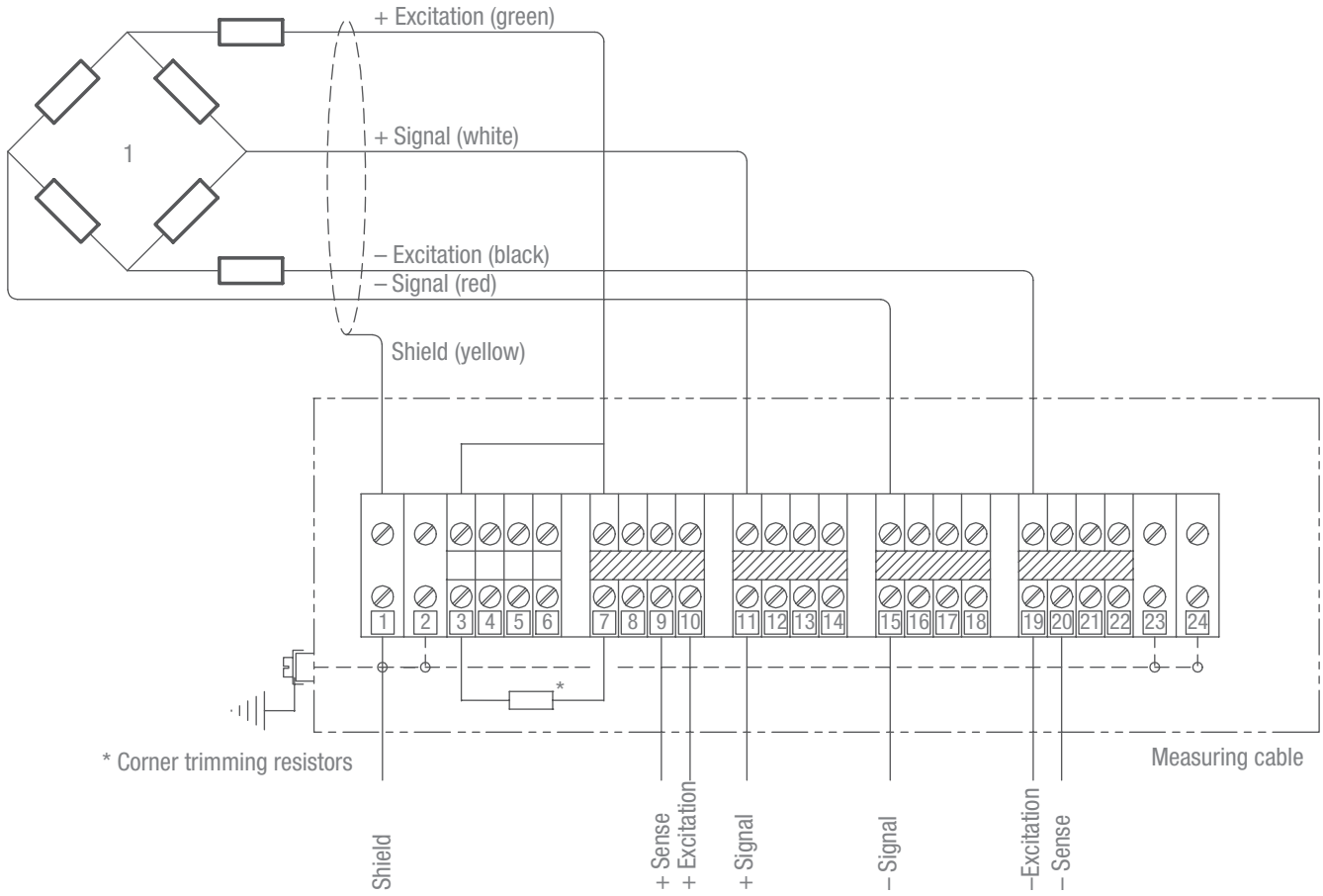
KAEX-4 product dimensions (mm)



KAEX-4 wiring

Load Cells

- 4 Connect: Shield=24 / +Excitation=10 / +Signal=14 / -Signal=18 / -Excitation=22
- 3 Connect: Shield=23 / +Excitation= 9 / +Signal=13 / -Signal=17 / -Excitation=21
- 2 Connect: Shield= 2 / +Excitation= 8 / +Signal=12 / -Signal=16 / -Excitation=20



Dimensions and specifications are subject to change without notice.