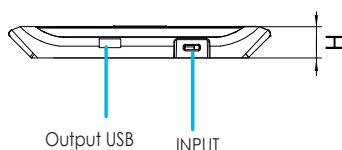
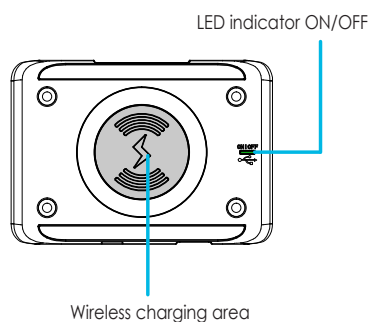
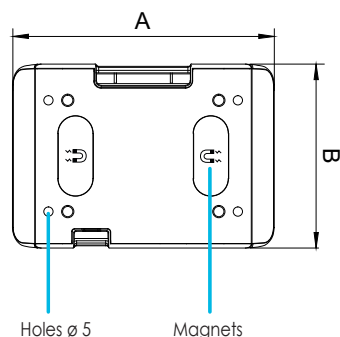


BCB1-W

WIRELESS CHARGING BASES



Technical data

INPUT (USB)	5 V $\overline{\text{---}}$ 1.2 A max.
Wireless output	5 V $\overline{\text{---}}$ 5 W
OUTPUT (USB)	5 V $\overline{\text{---}}$ 1 A
Operating temperature	- 10°C ~ + 40°C
Protection class	III
Impact resistance	IK 07
Degree of protection	IP 20
Weight	190 g
Power supply inputs	100 - 240 V 50/60 Hz

Description

- The BCB1-W charging base make it possible to keep the lamps fully charged meaning they are always ready for use. The magnetic construction allows quick attachment to metal surfaces along with holding the lamps in place during charging.
- The BCB1-W single base is designed to recharge a single lamp.

Materials

- Body: ABS

Accessories supplied

- USB charging cable
- power supply

Commercial data

- Type: BCB1-W
- ETIM 7.0 code: EC001184
- GTIN (EAN13): 8051316021717
- Packaging: 1 pc

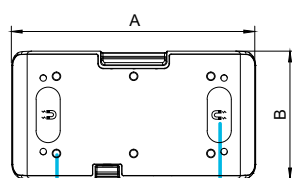
BCB2-W

WIRELESS CHARGING BASES

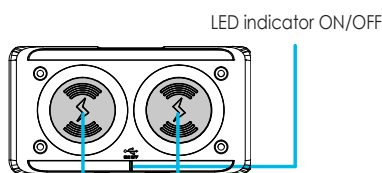


Technical data

INPUT (USB)	5 V $\overline{\text{---}}$ 2.2 A max.
Wireless output	5 V $\overline{\text{---}}$ 10 W
OUTPUT (USB)	5 V $\overline{\text{---}}$ 1 A
Operating temperature	- 10°C ~ + 40°C
Protection class	III
Impact resistance	IK 07
Degree of protection	IP 20
Weight	270 g
Power supply inputs	100 - 240 V 50/60 Hz



Holes ø 5 Magnets



Wireless charging area



Output USB INPUT

Description

- The BCB2-W charging base make it possible to keep the lamps fully charged meaning they are always ready for use. The magnetic construction allows quick attachment to metal surfaces along with holding the lamps in place during charging.
- The BCB2-W allows 2 lamps to be charged at the same time

Materials

- Body: ABS

Accessories supplied

- USB charging cable
- power supply

Commercial data

- Type: BCB2-W
- ETIM 7.0 code: EC001184
- GTIN (EAN13): 8051316021731
- Packaging: 1 pc

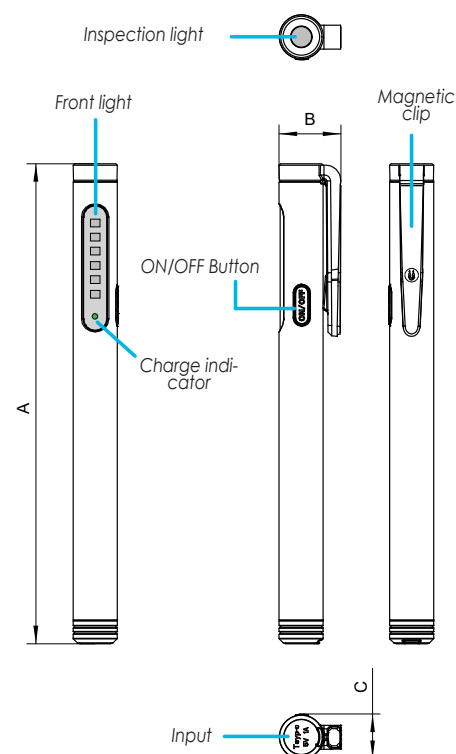
CBL01

POCKET TORCH



Technical data

Emission	Front light	Inspection light
Nominal power	1,5 W (SMD)	0,9 W (SMD)
Luminous flux	150 lm	70 lm
Lighting autonomy	2,5 h	3,5 h
Color temperature	6500 K	
Operating temperature	- 10°C ~ + 40°C	
Protection class	III	
Impact resistance	IK 07	
Degree of protection	IP 20	
Charging time	~ 2,2 h	
Rechargeable battery	Li-poly 3.7 V ; 600 mAh	
Lamp input	5 V ⚡ 1 A	
Weight	38 g	
Dimensions (A x B x C)	160 x 20 x 15 mm	



Description

- The handy CBL01 torch is the size of a pen and is equipped with a double light point to illuminate small work areas.
- The front light allows you to illuminate the area while leaving it in your pocket, while the front light allows you to inspect less accessible areas.
- The clip is equipped with a magnet allowing it to be attached to any metal surface, freeing the operator's hands

Accessories supplied

- USB charging cable - USB type C

Commercial data

- Type: CBL01
- ETIM 7.0 code: EC000987
- GTIN (EAN13): 8051316021755
- Packaging: 1 pc

CBL02-W

HEAD TORCH



Technical data

Nominal power	3.5 W (COB)
Luminous flux	400 lm (100%) 80 lm (20 %)
Lighting autonomy	3 h (100%) 5 h (20%)
Color temperature	5700 K
Operating temperature	- 10°C ~ + 40°C
Protection class	III
Impact resistance	IK 08
Degree of protection	IP 54
Charging time	~ 3 h
Rechargeable battery	Li-poly 3.7 V ; 1500 mAh
Lamp input	5 V $\overline{\text{---}}$ 1 A (USB tipo C)
Weight	105 g
Dimensions (A x B x C)	39 x 77 x 38 mm

Description

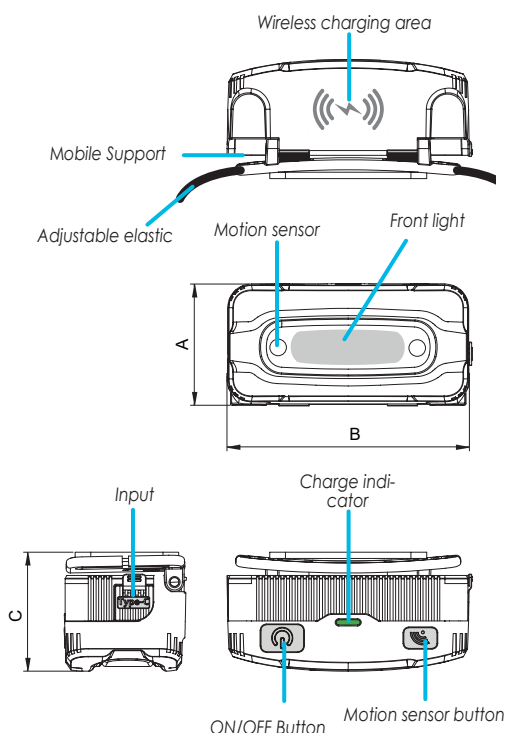
- Ideal for any indoor or outdoor activity requiring localised lighting and freedom of action, the CBL02-W head torch is equipped with a touch sensor allowing operation even whilst wearing gloves.
- The light intensity can be modulated via the dimmer function helping to preserve battery life.
- The CBL02-W is a versatile head torch adjustable by means of an elastic band to fit work helmets of various sizes.

Accessories supplied

- USB charging cable - USB type C
- Battery charger: 100 - 240 V 50/60 Hz

Commercial data

- Type: CBL02-W
- ETIM 7.0 code: EC000987
- GTIN (EAN13): 8051316021779
- Packaging: 1 pc



CBL03-W

MULTIPURPOSE LAMP



Technical data

Emission	Front light	Torch
Nominal power	3 W (COB)	1 W (SMD)
Luminous flux	300 lm	100 lm
Dimmer function	100-300 lm	-
Lighting autonomy	3 h	6 h
Color temperature	5700 K	
Operating temperature	- 10°C ~ + 40°C	
Protection class	III	
Impact resistance	IK 08	
Degree of protection	IP 65	
Charging time	~ 3 h	
Rechargeable battery	Li-poly 3.7 V ; 1500 mAh	
Lamp input	5 V ⚡ 1 A (USB tipo C)	
Weight	190 g	
Dimensions (A x B x C)	133 x 68 x 25 mm	

Description

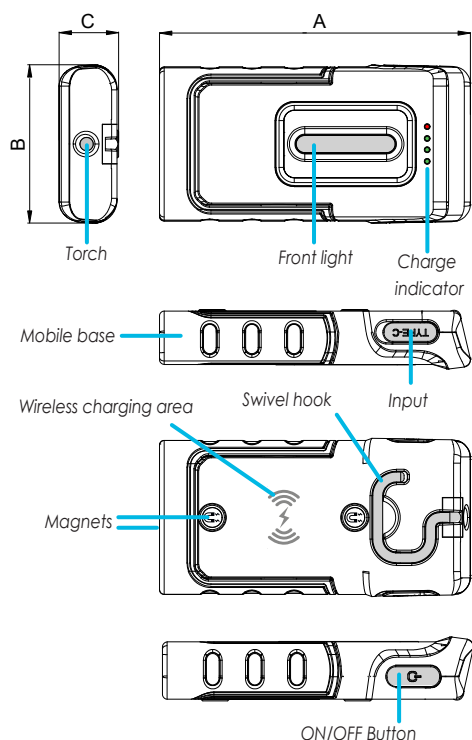
- The CBL03-W multi-purpose lamp is a mini-lamp that can be used on a table or hung on metal surfaces thanks to the handy magnet or the suspension hook.
- It is equipped with an ergonomic non-slip handle to make it easy to use.
- The 2 light points with dimmer function allow you to modulate the intensity and battery life as needed.
- The compact design makes it ideal as a pocket lamp for storage in a jacket pocket or work trousers.

Accessories supplied

- USB charging cable - USB type C
- Battery charger: 100 - 240 V 50/60 Hz

Commercial data

- Type: CBL03-W
- ETIM 7.0 code: EC000987
- GTIN (EAN13): 8051316021793
- Packaging: 1 pc



CBL04-W

SPACE-SAVING FLOOR LAMP



Technical data

Emission	Front light	Inspection light
Nominal power	6 W (COB)	1 W (SMD)
Luminous flux	600 lm	100 lm
Dimmer function	100-600 lm	-
Lighting autonomy	2.5 h	8 h
Color temperature	5700 K	
Operating temperature	- 10°C ~ + 40°C	
Protection class	III	
Impact resistance	IK 08	
Degree of protection	IP 54	
Charging time	~ 3.5 h	
Rechargeable battery	Li-poly 3.7 V ; 2600 mAh	
Lamp input	5 V ⚡ 1 A (USB tipo C)	
Weight	246 g	
Closed rod dimensions (A x B x C)	175 x 44 x 38 mm	
Open rod dimensions (L x B x C)	325 x 44 x 38 mm	

Description

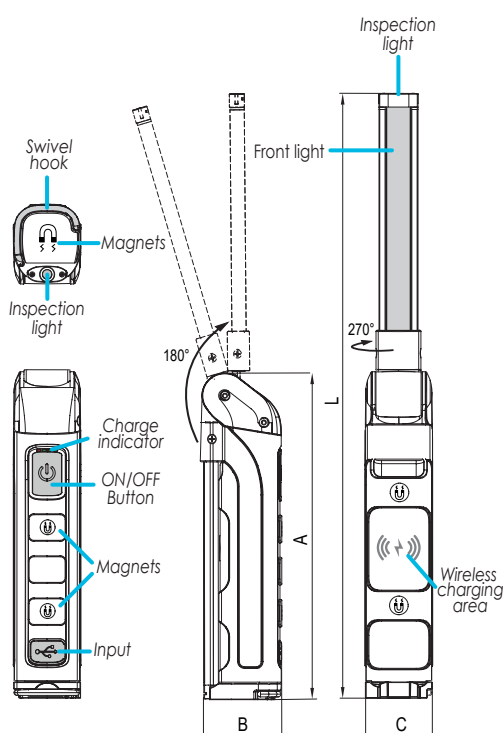
- The most versatile of the family is the CBL04-W, which has a double light point, 2 dimmable light intensities, a rotatable and foldable stem and allows ideal lighting in all conditions.
- The double magnetic support and the suspension hook allow the lamp to be secured anywhere with ease.
- Designed to be easy to carry in a bag or trouser pocket whilst also offering excellent battery life and low weight portability.
- The compact design ensures the CBL04-W is the ideal solution for inspecting difficult to reach areas

Accessories supplied

- USB charging cable - USB type C
- Battery charger: 100 - 240 V 50/60 Hz

Commercial data

- Type: CBL04-W
- ETIM 7.0 code: EC000987
- GTIN (EAN13): 8051316021816
- Packaging: 1 pc



CBL05-W

PORTABLE LAMP



Technical data

Emission	Frontal light	Torch
Nominal power	6 W (COB)	1 W (SMD)
Luminous flux	600 lm	100 lm
Dimmer function	100-600 lm	-
Lighting autonomy	2.5 h	10 h
Color temperature	5700 K	
Operating temperature	- 10°C ~ + 40°C	
Protection class	III	
Impact resistance	IK 08	
Degree of protection	IP 65	
Charging time	~ 3.5 h	
Rechargeable battery	Li-poly 3.7 V ; 2600 mAh	
Lamp input	5 V ⚡ 1 A (USB tipo C)	
Weight	246 g	
Dimensions (A x B x C)	205 x 55 x 40 mm	

Description

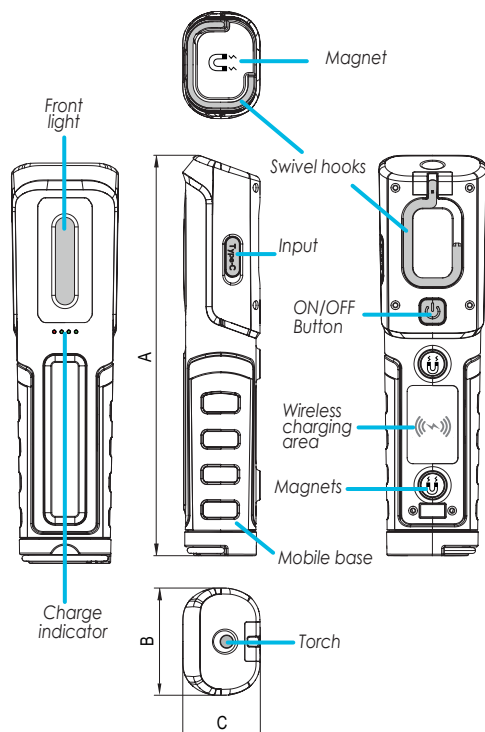
- An ergonomic bi-component plastic handle makes the CBL05-W the most comfortable and robust lamp in the series, particularly suited to lengthy inspection work.
- Featuring two light points, dimmer function and a long battery life.
- Equipped with magnetic table support with retractable suspension hook.

Accessories supplied

- USB charging cable - USB type C
- Battery charger: 100 - 240 V 50/60 Hz

Commercial data

- Type: CBL05-W
- ETIM 7.0 code: EC000987
- GTIN (EAN13): 8051316021647
- Packaging: 1 pc



CBL06

PORTABLE SPOTLIGHT

for small-medium work environments



Technical data

Nominal power	20 W (COB)
Luminous flux	2000 lm (100%) 1000 lm (50%)
Lighting autonomy	3.5 h (100%) 5.5 h (50%)
Color temperature	5700 K
Operating temperature	- 10°C ~ + 40°C
Protection class	III
Impact resistance	IK 08
Degree of protection	IP 65
Charging time	~ 5 h
Rechargeable battery	Li-poly 3.7 V ; 4000 mAh
Lamp input	5 V $\overline{=}$ 1 A (USB tipo C)
OUTPUT (USB)	5 V $\overline{=}$ 1 A
Weight	800 g
Dimensions (A x B x C)	195 x 125 x 48 mm

Description

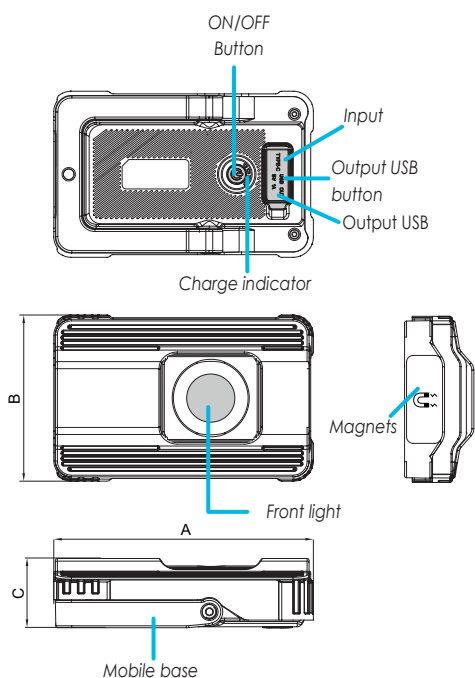
- The CBL06 portable spotlight meets the requirement of those who need to illuminate small-medium work environments.
- The magnetic table mount allows the spotlight to be secured to metal surfaces.
- The power bank function allows small devices to be charged via the USB output, useful for emergency situations.

Accessories supplied

- USB charging cable - USB type C
- Battery charger: 100 - 240 V 50/60 Hz

Commercial data

- Type: CBL06
- ETIM 7.0 code: EC000987
- GTIN (EAN13): 8051316021656
- Packaging: 1 pc



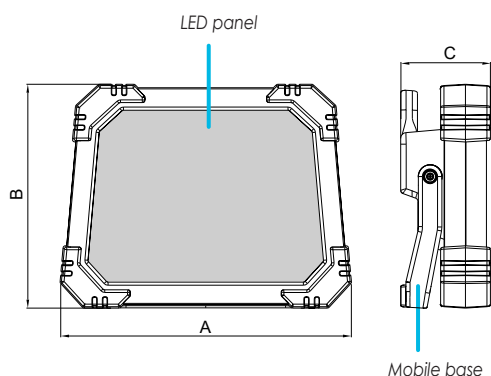
CBL07

PORTABLE SPOTLIGHT

for large work environments

Technical data

Nominal power	27 W (96 x SMD)
Luminous flux	3000 lm (100%) 1500 lm (50%)
Lighting autonomy	3 h (100%) 6 h (50%)
Color temperature	5700 K
Operating temperature	- 10°C ~ + 40°C
Protection class	III
Impact resistance	IK 08
Degree of protection	IP 65
Charging time	~ 5.5 h
Rechargeable battery	Li-poly 14.8 V ; 4000 mAh
Lamp input	16.8 V $\overline{\text{---}}$ 1 A
OUTPUT (USB)	5 V $\overline{\text{---}}$ 1 A
Weight	1400 g
Dimensions (A x B x C)	277 x 213 x 86 mm



Description

- The diffused light emitted by the CBL07 spotlight enables the illumination of large areas.
- Light, practical and sturdy, this spotlight is quick to install.
- The power bank function allows small devices to be charged via the USB output, useful for emergency situations.

Accessories supplied

- Battery charger: 100 - 240 V 50/60 Hz

Commercial data

- Type: CBL07
- ETIM 7.0 code: EC000987
- GTIN (EAN13): 8051316021687
- Packaging: 1 pc

