



Handleiding – Manual – Anleitung – Manuel

# About us

We are here to turn your balcony into a green paradise! Balkonbar is a company based in Amsterdam. We, Arjen and Daan, two entrepreneurs and the owners of Balkonbar, started producing the Balkonbar in 2015 in collaboration with sheltered workplaces. Now, we have grown into an online balcony community with a webshop where you can find everything to make your balcony the coziest place in the house.

The place where you enjoy your first cup of coffee in the morning, the place where you grow your own fruits and vegetables and the place where you end up the day with a good glass of wine.

Let's green the city together!

Arjen & Daan

Follow us **@balkon\_bar** or see the video tutorials on our **Balkonbar Youtube Channel**

# Index

Balkonbar	4
Sides	6
Hanging garden	7
FENCY Balcony Table	8
Safety regulations	10
Return policy	11

# BALKONBAR

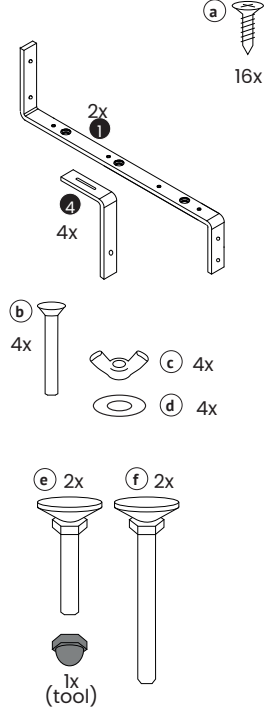
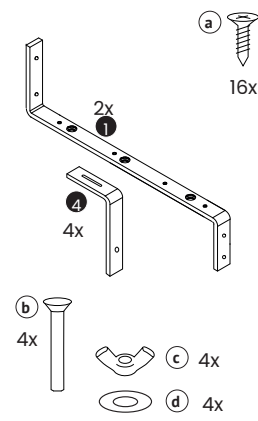
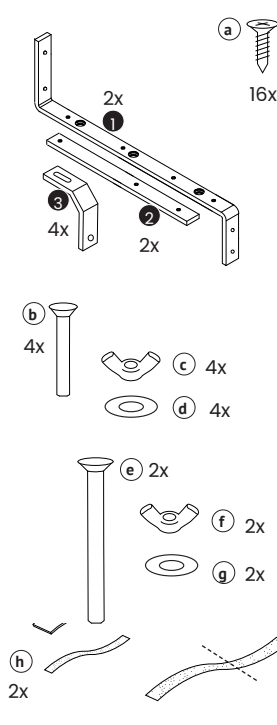
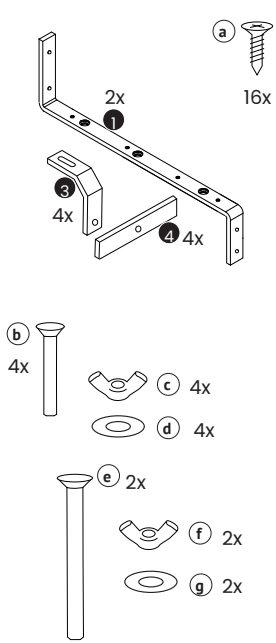
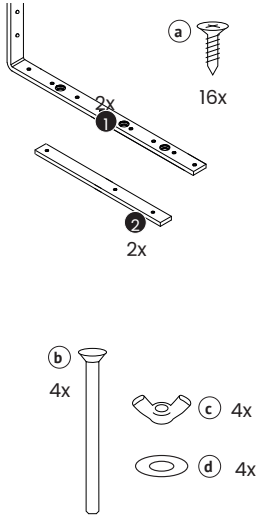
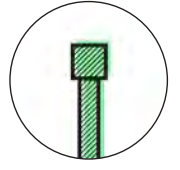
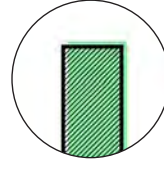
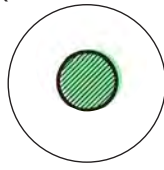
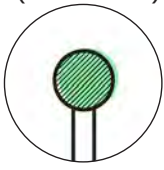
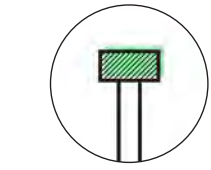
## RECTANGULAR

## ROUND (WITH BARS)

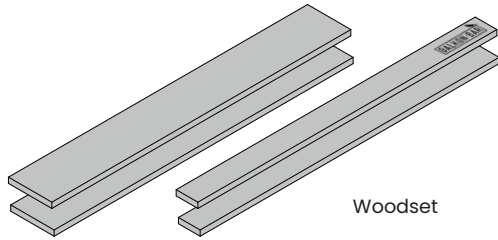
## ROUND (WITHOUT BARS)

## WALL

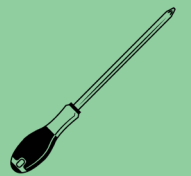
## GLASS



4

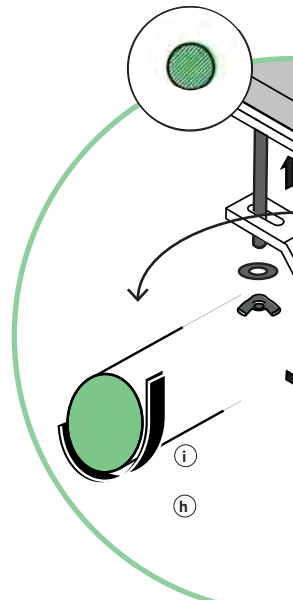
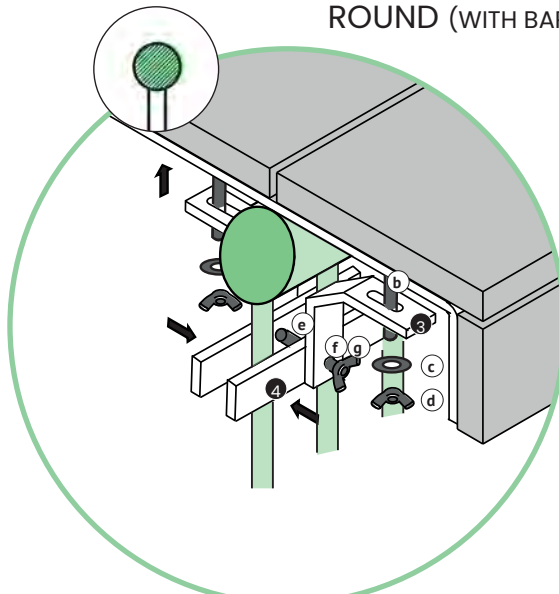
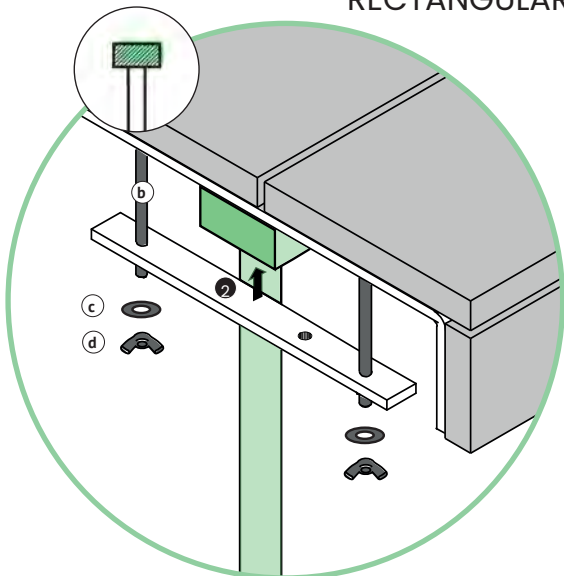


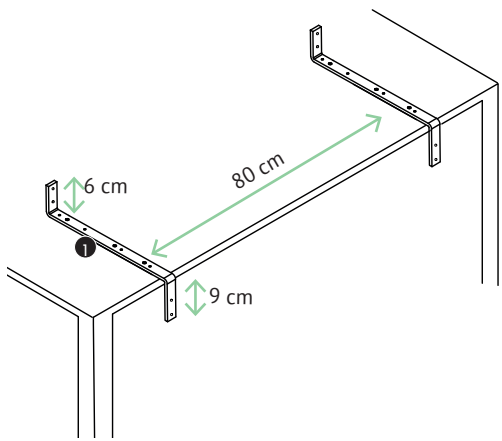
TOOLS NEEDED



## RECTANGULAR

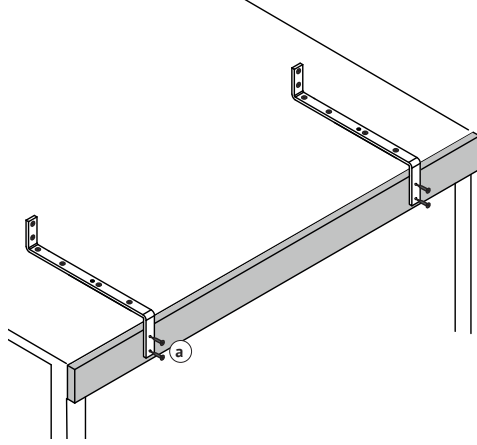
## ROUND (WITH BARS)





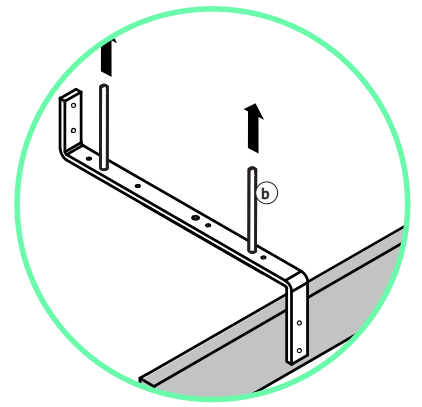
Use a table to position the brackets

**1**



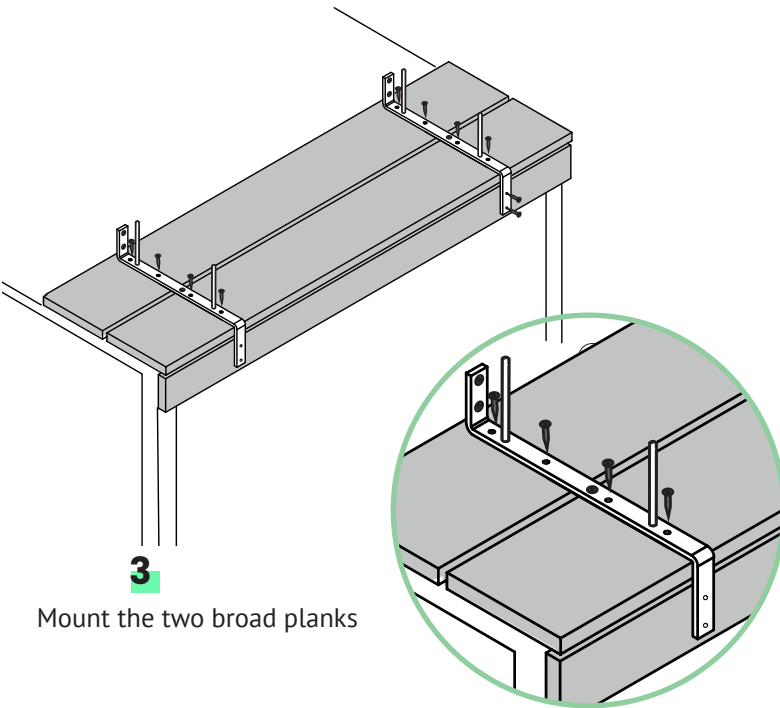
Mount the small plank (without the logo)

**2**



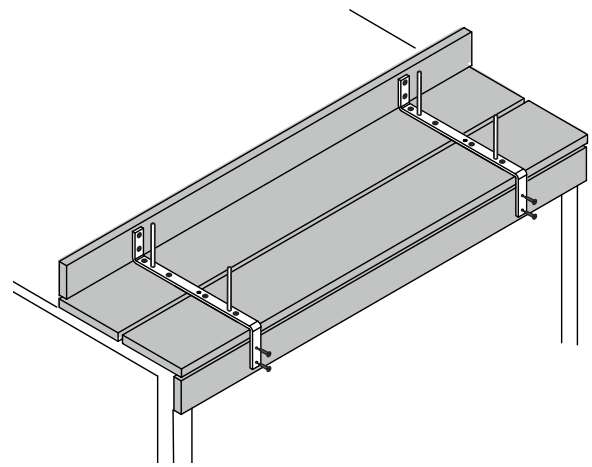
Lift the bracket and place the screws

**3**



Mount the two broad planks

**3**

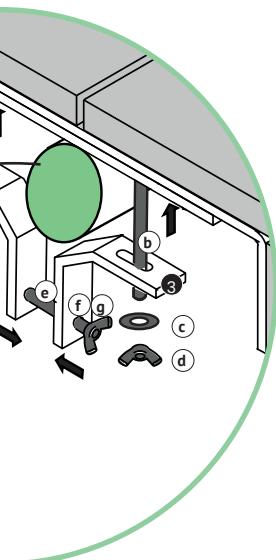


Mount the small plank (with the logo)

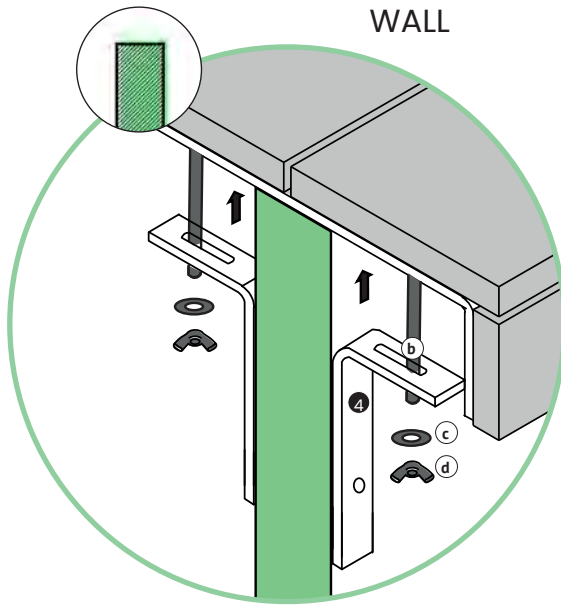
**4**

**5**

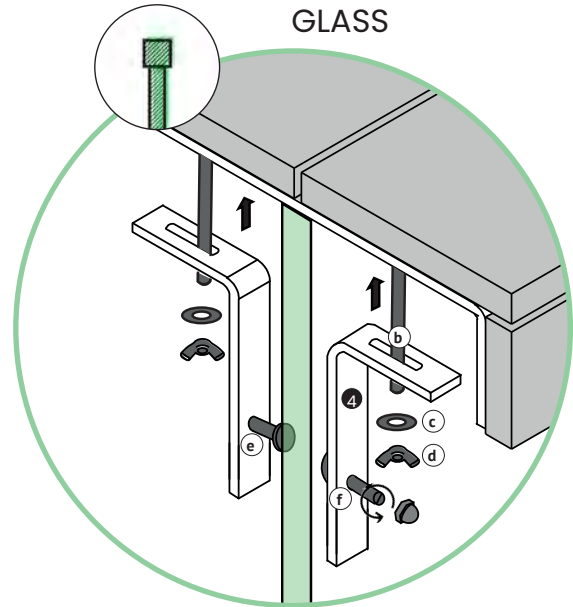
ROUND (WITHOUT BARS)



WALL

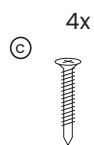
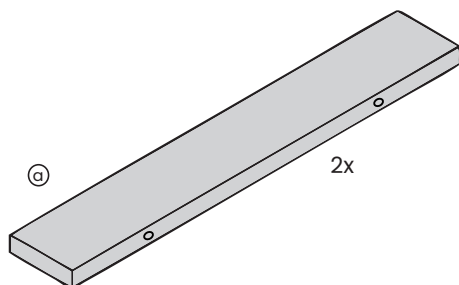


GLASS

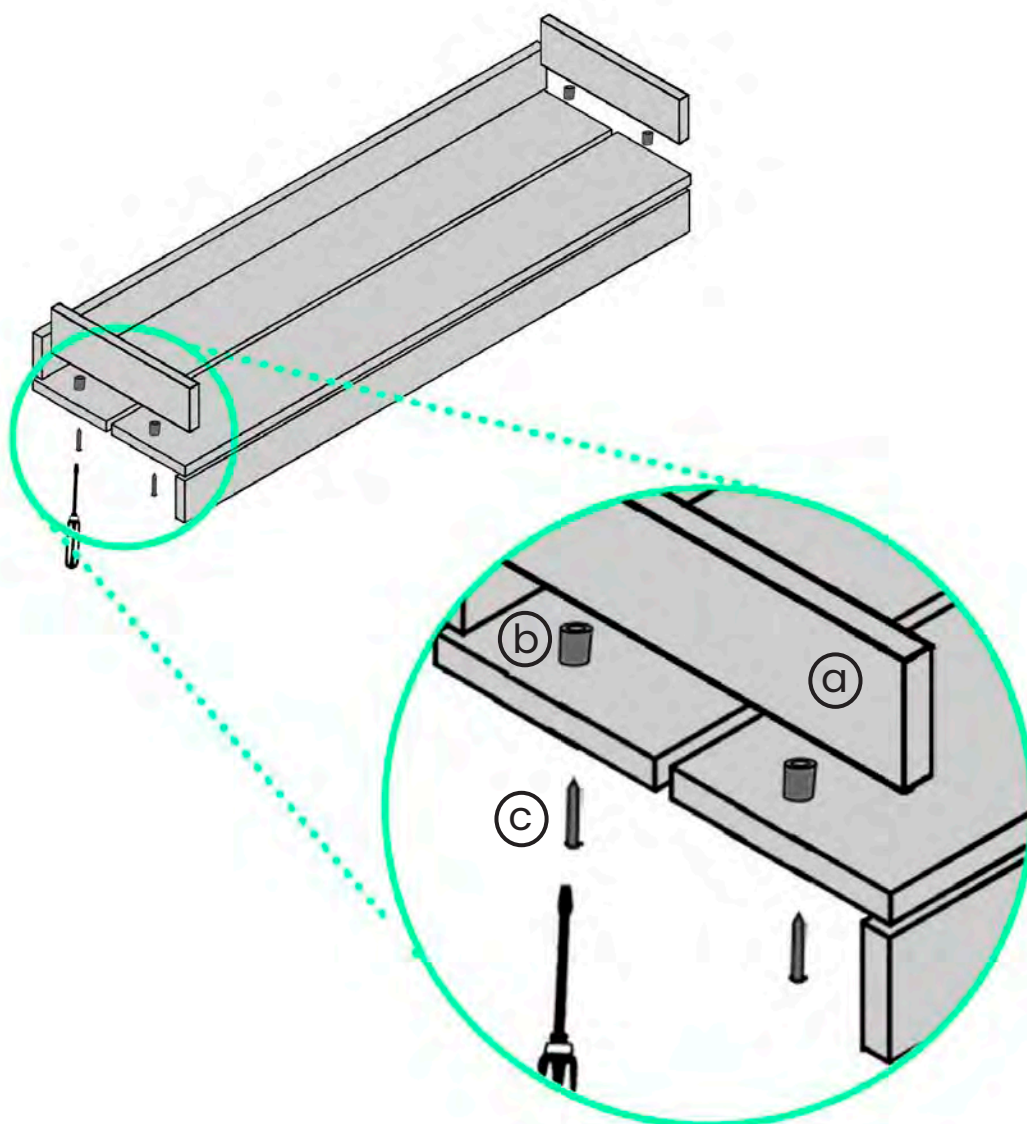


# SIDES

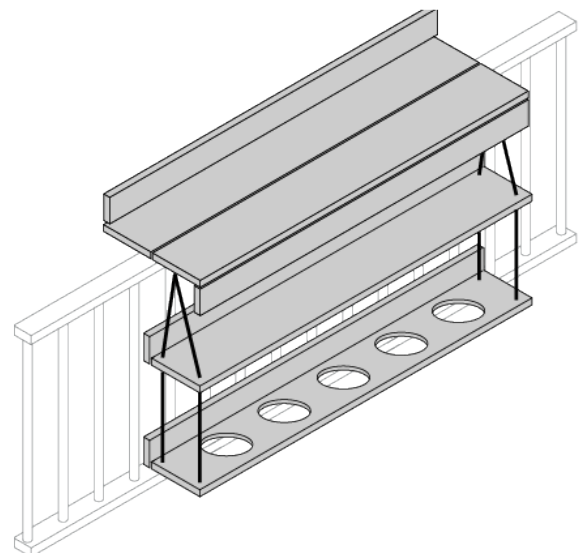
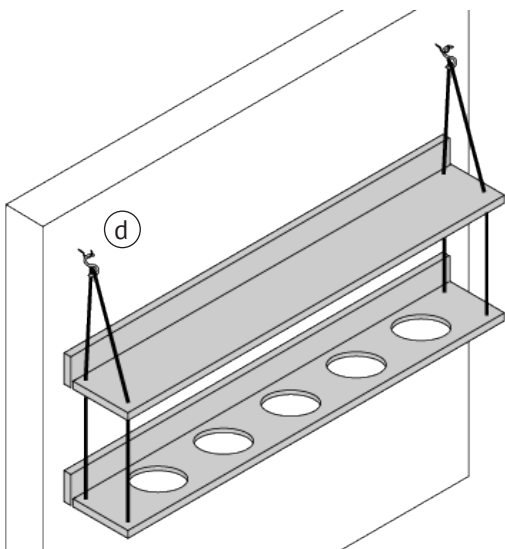
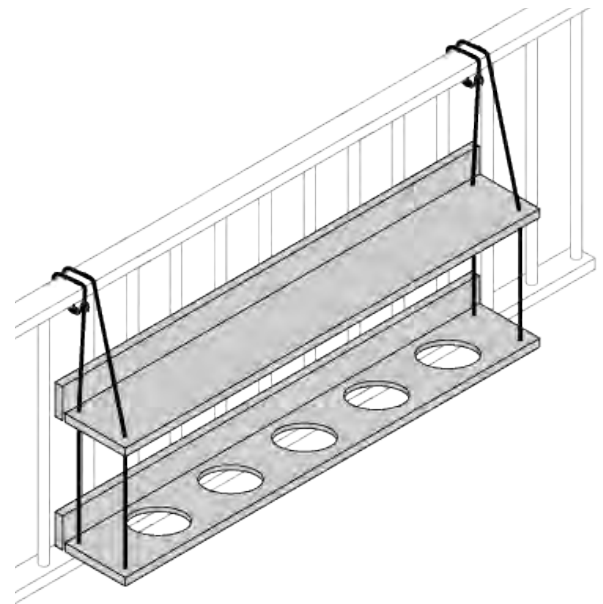
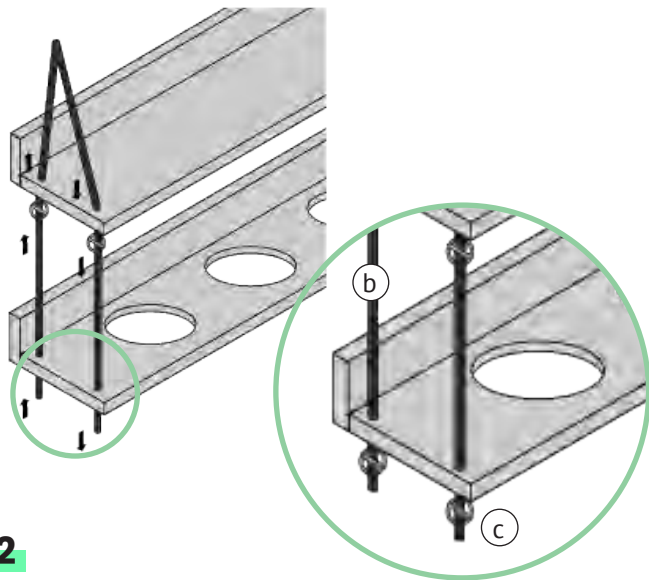
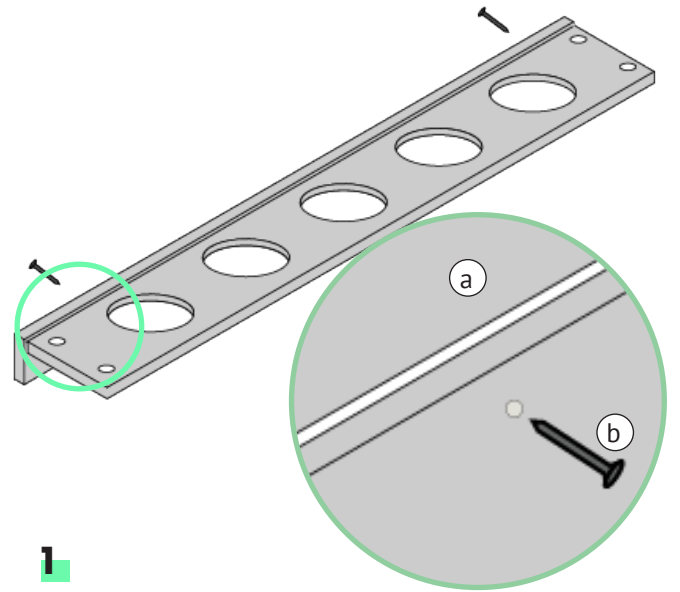
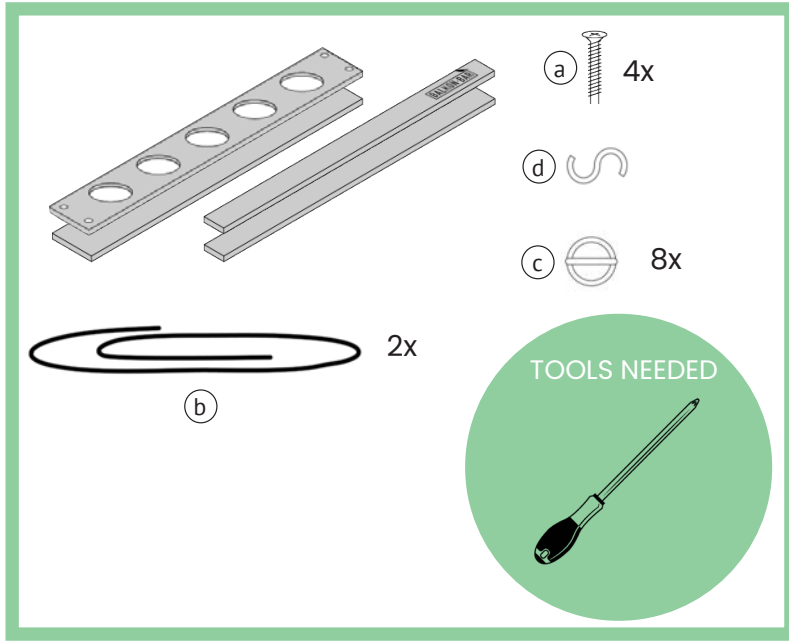
CONTAINING



6



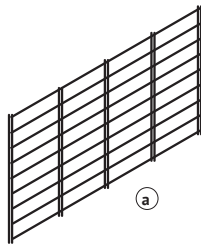
# HANGING GARDEN



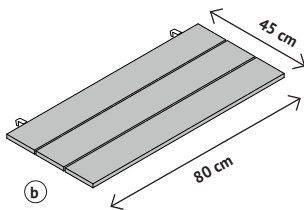
# FENCY BALCONY TABLE

## CONTAINING

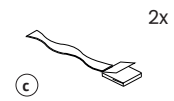
metal rack



table



lashing strap +  
belt buckle



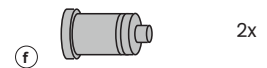
tie wrap  
(optional)



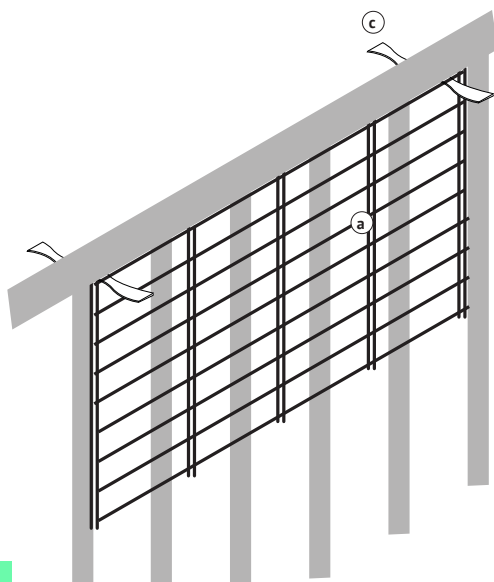
metal wire +  
hook



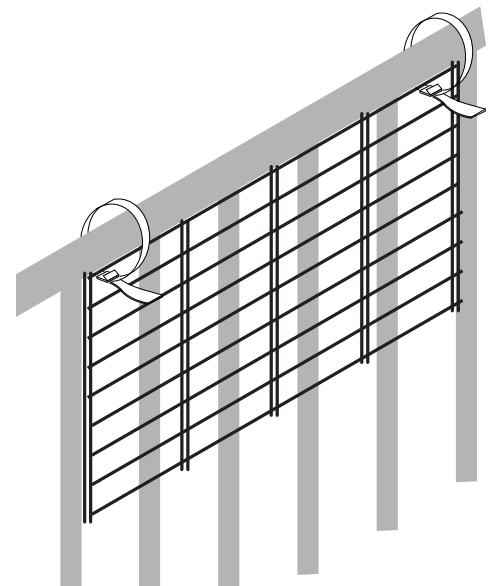
adjustable  
cable blocker



# 8



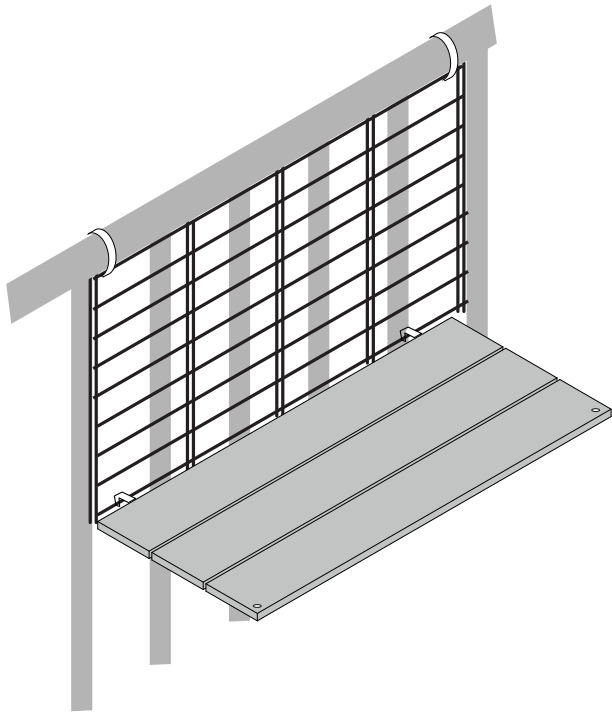
Position the rack at the railing



Mount the rack with the lashing strap and  
belt buckle on the railing  
(Optional: attach rack to balcony bars with  
tie wraps)

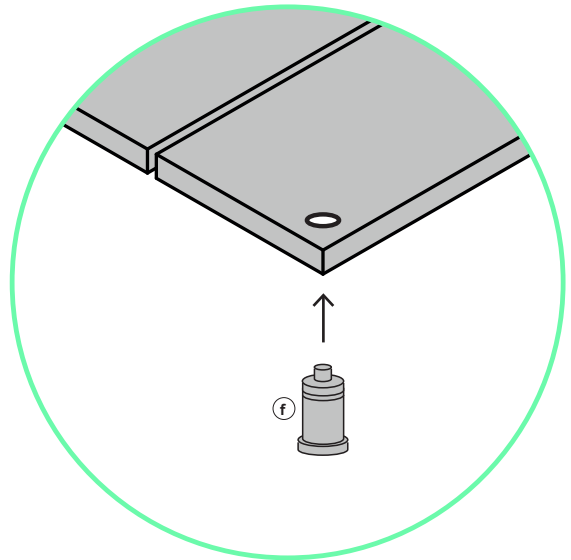


3



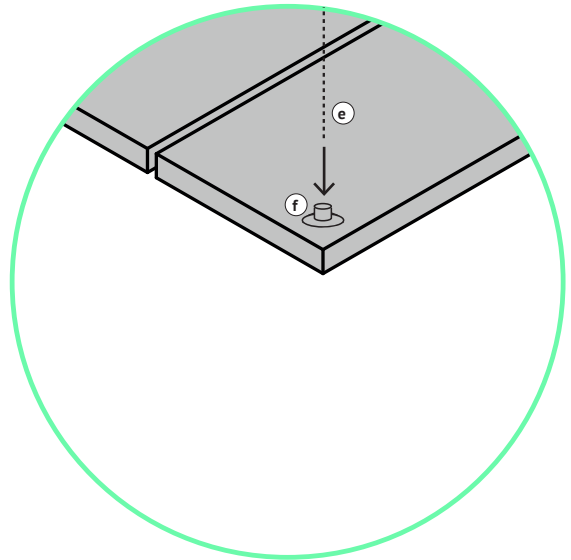
hang the table loose at the lowest pen of the rack

4



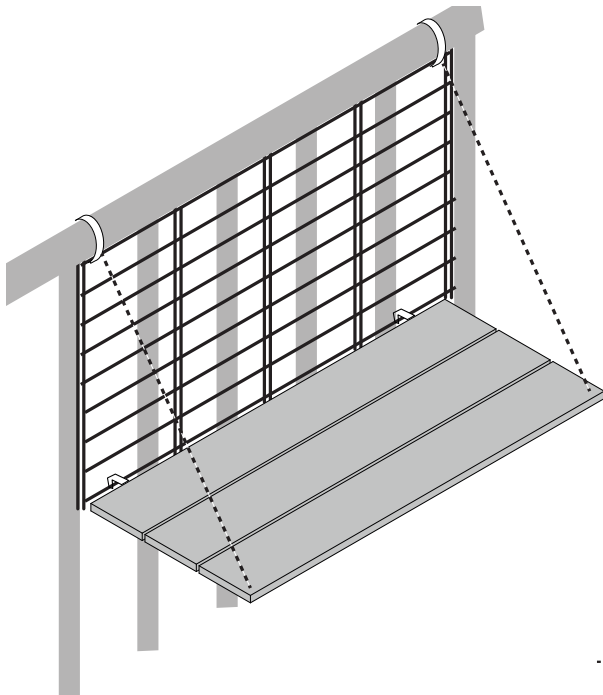
position cable blocker in the hole of the table

5

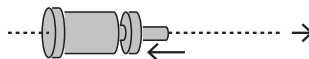


thread the cable through the adjustable cable blocker

6



position metal wire with the adjustable cable blocker to level the table



Please check our video for a more detailed explanation



# SAFETY REGULATIONS

NL

Installeer je bar eenvoudig aan de hand van deze handleiding of bekijk de video tutorial op onze website.

- Bevestig de Balkonbar altijd met 2 personen om te voorkomen dat er tijdens de montage onderdelen naar beneden vallen.
- Het hout is sterk genoeg om volop te variëren met potten, planten en decoratie, maar de Balkonbar is niet om op te zitten of om zware objecten op te plaatsen.
- De gebruiker is zelf verantwoordelijk om te voorkomen dat objecten van de Balkonbar naar beneden kunnen vallen.

EN

Your new bar is easy to install. Please check this mounting manual or check our video tutorial on our website.

- We recommend you to install the Balkonbar with two persons to prevent parts falling during assembly.
- The bar is strong enough for pots, plants and decorations but not strong enough to sit on or to place heavy objects on it.
- It is the owners responsibility to see that any objects placed on the bar do not fall off it below.

DE

Deine neue Bar ist einfach aufzubauen. Sieh die Aufbauanleitung oder geh zu dem Video-Tutorial auf unsere Website.

- Befestige die BALKONBAR immer mit 2 Personen um zu verhindern, dass während der Montage Teile herunterfallen.
- Das Holz ist stabil genug, um sie mit allerhand Töpfen und Pflanzen zu dekorieren, aber die Balkonbar ist nicht stabil genug um darauf zu sitzen oder schwere Gegenstände darauf zu stellen.
- Der Benutzer ist selbst dafür verantwortlich zu vermeiden, dass Gegenstände von der Balkonbar runter fallen können.

FR

Votre nouveau « minibar » est facile à installer. Consultez notre manuel de montage joint ou consultez notre vidéo didactique sur notre site.

- Nous vous recommandons d'installer le BALKONBAR avec deux personnes pour éviter que des pièces tombent pendant le montage.
- La barre en bois est suffisamment forte pour supporter des pots de fleurs, les plantes et les décorations mais pas assez solide pour s'asseoir sur ou pour placer des objets lourds dessus.
- Il est de la responsabilité des propriétaires de s'assurer que tous les objets placés sur la barre ne tombent pas en dessous.

ES

Su nueva barra es fácil de instalar. Consulte este manual de montaje o nuestro video tutorial en nuestro sitio web.

- Recomendamos que instale la barra del balcón con 2 personas para evitar que las piezas se caigan durante el montaje.
- La barra es lo suficientemente fuerte como para soportar las macetas, las plantas y la decoración, pero el Balkonbar no es para sentarse o colocar objetos pesados.
- El usuario es responsable de evitar que caigan objetos de la barra del balcón.

# RETURN POLICY

Not satisfied with your received product(s)? You can return your items within 14 days of the delivery date by following the steps below.

## Packaging

- Use the original packaging to return your order. Please note that all products need to be returned in its original state, unused and complete.
- Include the return form below and a copy of the invoice in the package.
- Make sure the return label with the address is clearly visible on the package.

## Shipment

- Drop off your package at any post office.
- Keep your shipping receipt until your return is fully handled.

## Refund

Once we receive your item(s), we will inspect it and refund to your original method of payment within 14 days. This refund includes the original paid shipping costs and purchase costs.

## Returning costs

Shipping and return will be at your own expenses, except from damaged products or an incorrect delivery. In those cases, please send an e-mail to [info@balkon.bar](mailto:info@balkon.bar) and you will receive a free return label.

Once your return is fully handled, you will receive a message. If you do not hear anything from our side, please contact us via [info@balkon.bar](mailto:info@balkon.bar)

Fill in and include this form in your return package.

### Details

Name:	Order number:
Address:	Date return:
Postal code:	
Country:	

### Reason for return

### Return articles

Quantity	Article number	Description

### Explanation (if necessary)

Cut out the label below and stick on your packaging.



Sender

Name:

Address:

*Balkonbar B.V.  
Dailypack Purmerend  
Signaal 75  
1446WT Purmerend  
The Netherlands*



BALKON·BAR