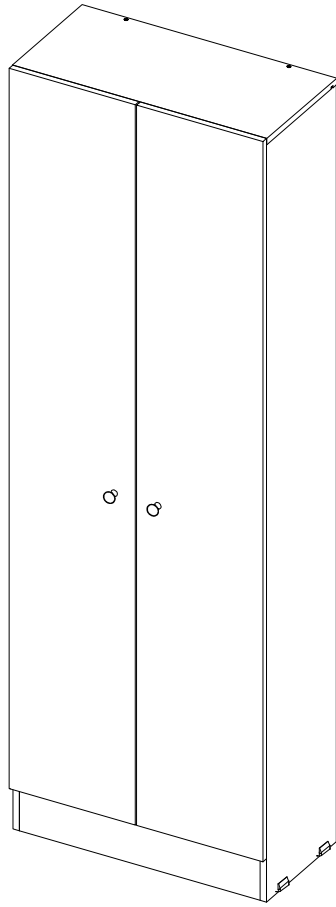


ASSEMBLY INSTRUCTIONS

MULTISTORAGE CABINET



THIS FURNITURE MUST BE FIXED TO THE WALL

⚠ WARNING

Children have died from furniture tip over. To reduce the risk of tip over:

- ALWAYS secure this furniture to the wall using a wall anchor.
- NEVER allow children to stand, climb, or hang on drawers, doors or shelves.
- Do not defeat or remove the drawer interlock system.
- Place heaviest items in the lowest drawers.
- NEVER put a TV on this furniture.

To ensure the safety of those using this cabinet, it is crucial to properly secure it to the wall using a wall anchor. This product includes the necessary items for fixing the furniture to the wall. However, it is important to note that incorrect installation or failure to use the tip-over device can result in serious injury or even death.

For this reason, we highly recommend that a professional installer handle the installation of the cabinet to the wall.



IMPORTANT RECOMMENDATIONS

RECOMENDACIONES IMPORTANTES

Do not paint the cabinet.

No pintar el mueble.

The cabinet **MUST** be used exclusively indoors, do not expose to direct sun.

El mueble debe ser usado únicamente en interiores, no exponer al sol directo.

Clean metallic hardware with a dry cloth.

Limpiar los herrajes metálicos con un paño seco.

Do **NOT** overload the cabinet (see suggested loads).

NO sobrecargar el mueble (ver las cargas sugeridas).

Do not hit or hammer the cabinet (just when indicated).

No golpear ni martillar el mueble (solo cuando se indique).

Clean with a slightly damp cloth, use gentle soaps.

Limpiar con un paño ligeramente húmedo, usar jabones suaves.

Do not drag, lift and move between two people.

No arrastre el mueble, levántelo entre dos personas.

Avoid direct contact with water, fire or exposure to heat sources.

Evite el contacto directo con el agua, el fuego o la exposición a fuentes de calor.



WARNING

Never allow children to climb or manipulate the cabinet, furniture tip over can cause serious injuries or death.



ADVERTENCIA

Nunca permita que los niños escalen o manipulen el mueble, la caída de este puede provocar lesiones graves o la muerte.

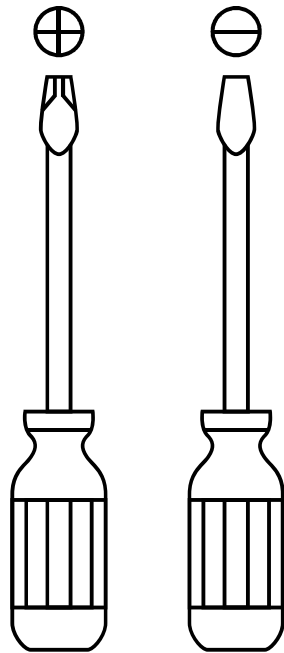
INDEX

Assembly Hardware	4
Assembly Parts	5
Suggested Loads	6
Assembly Recommendations	6
Assembly Steps	7-14
Warranty	15

ÍNDICE

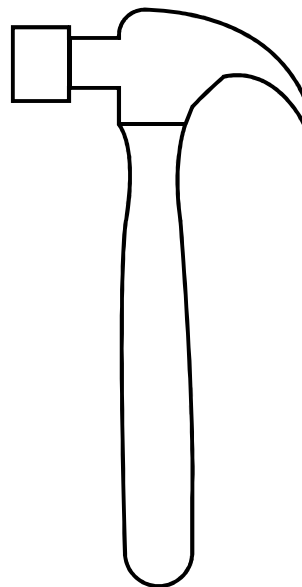
Herrajes para Armado	4
Piezas de Armado	5
Cargas Sugeridas	6
Recomendaciones de Ensamble	6
Pasos de Armado	7-14
Garantía	15

REQUIRED TOOLS*



*Not included, and not shown actual size.

HERRAMIENTAS NECESARIAS*



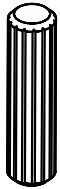
*No incluidas y no se muestran en tamaño real.

ASSEMBLY HARDWARE

Please check that the hardware content is correct. If any item is missing, please call to our customer service line.

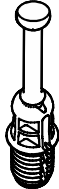
HERRAJES PARA ARMADO

Compruebe que el contenido de los herrajes sea el correcto. En caso de que falte alguna pieza, por favor llame a nuestra línea de atención al cliente.



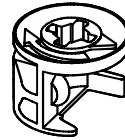
x37

Wood Dowel
Tarujo



x16

Spreading Bolt
Perno Minifix



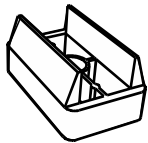
x16

Minifix Cams
Minifix



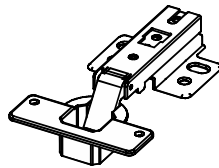
x20

Cover Caps
Tapa Adhesiva
Minifix



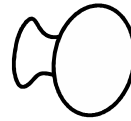
x4

U Slipper
Deslizador en U



x6

Full Overlay Hinge
(Screws Included)
Bisagra Parche
(Incluye tornillos)



x2

Round Button
Boton Zamak
Redondo



x2

Handle Screw
Tornillo Manija



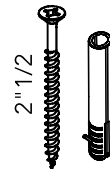
x2

2" Drywall Screw
Tornillo de
Ensamble 2"



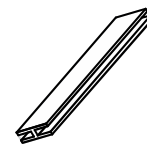
x4

Flat Head Screw
Tornillo Lámina



x2

Wall anchor +
Screw
Chazo +
tornillo



x1

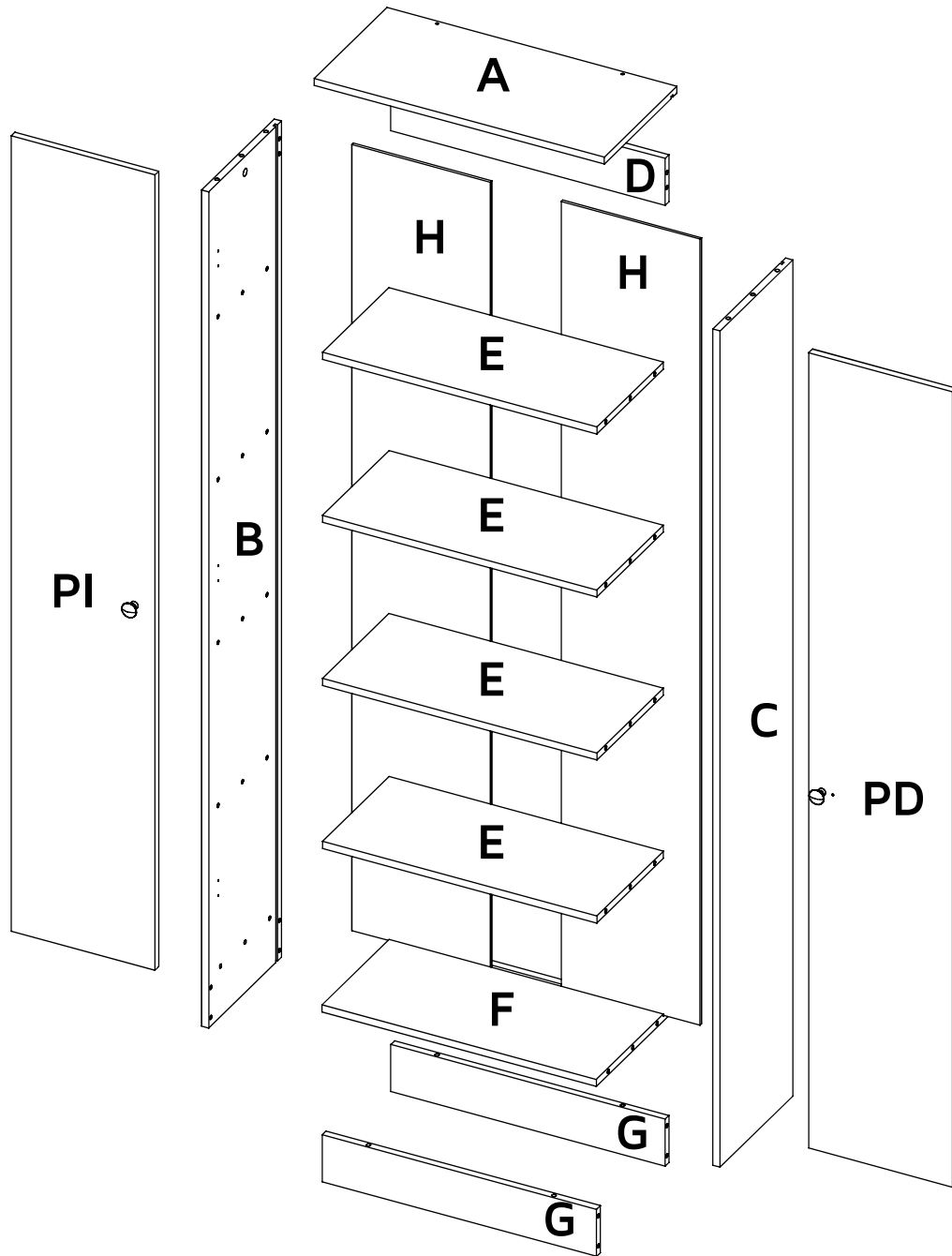
H profile
Perfil en H

Hardware items are NOT shown actual size.

Los herrajes no se muestran en el tamaño real.

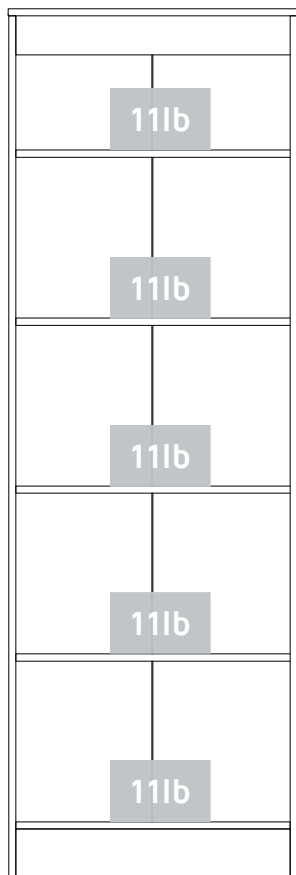
ASSEMBLY PARTS

PIEZAS DE ARMADO

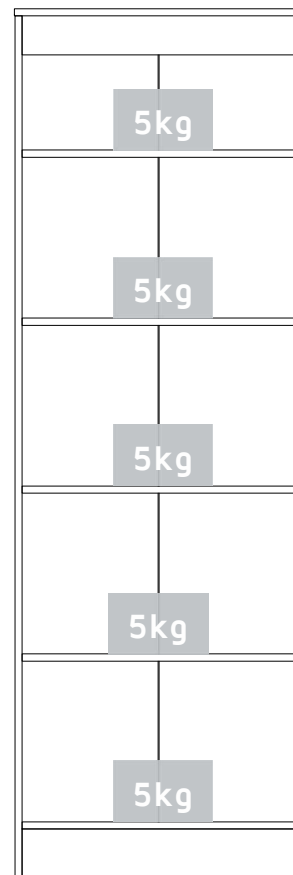


A - x1	F - x1
B - x1	G - x2
C - x1	H - x2
D - x1	PI - x1
E - x4	PD - x1

MAX SUGGESTED LOADS



CARGAS MÁXIMAS SUGERIDAS



ASSEMBLY RECOMMENDATIONS

Two people are recommended to assemble the product.

Assemble the cabinet on a flat, smooth surface, preferably on a carpeted floor or the carton box of the product.

Carefully read the assembly instructions and identify every wood and hardware part before start assembling the cabinet.

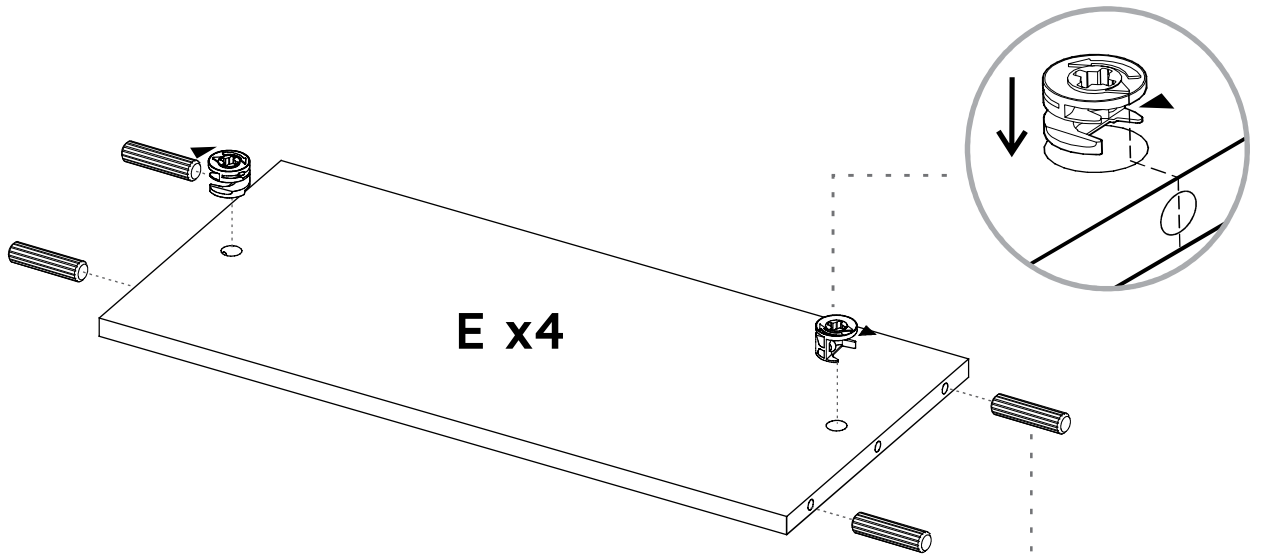
RECOMENDACIONES DE ENSAMBLE

Ensamble el mueble entre dos personas.

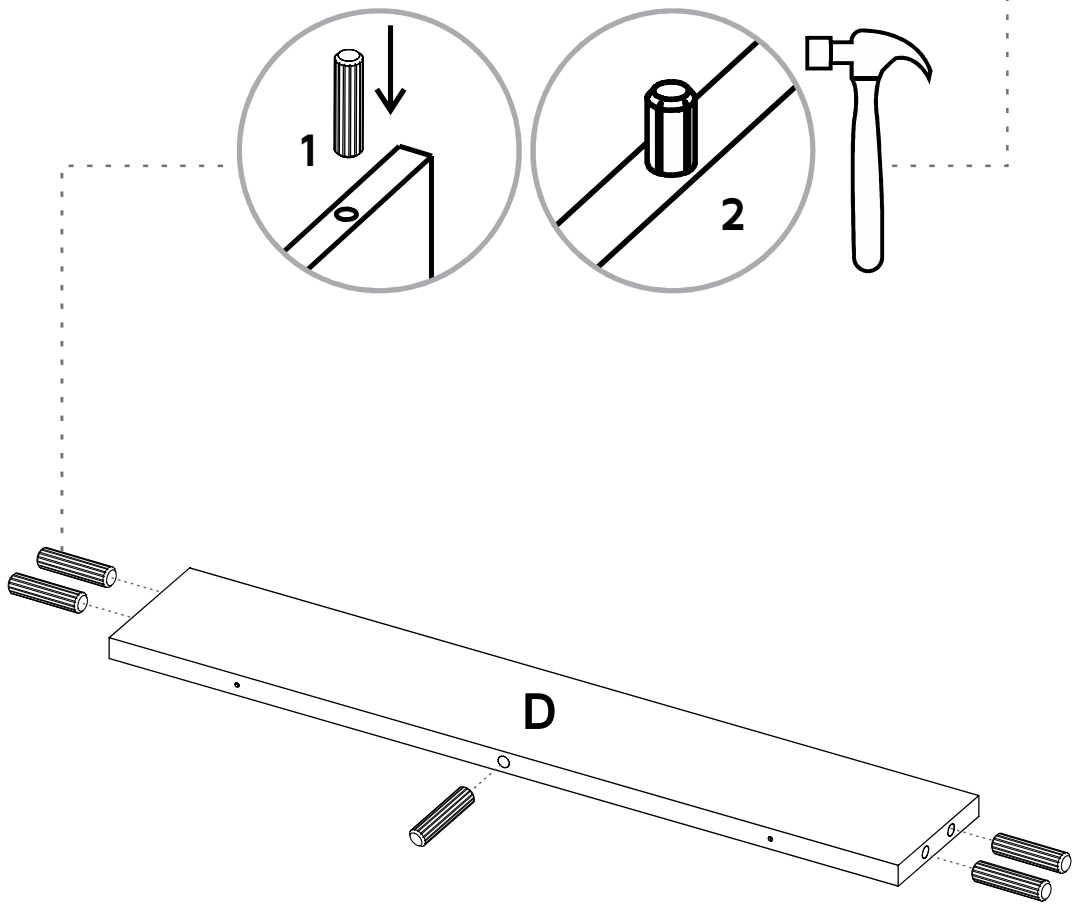
Ensamble el mueble sobre una superficie plana y lisa, preferiblemente sobre un tapete o el cartón de la caja

Lea cuidadosamente las instrucciones e identifique todas las piezas y herrajes antes de empezar a armar el mueble.

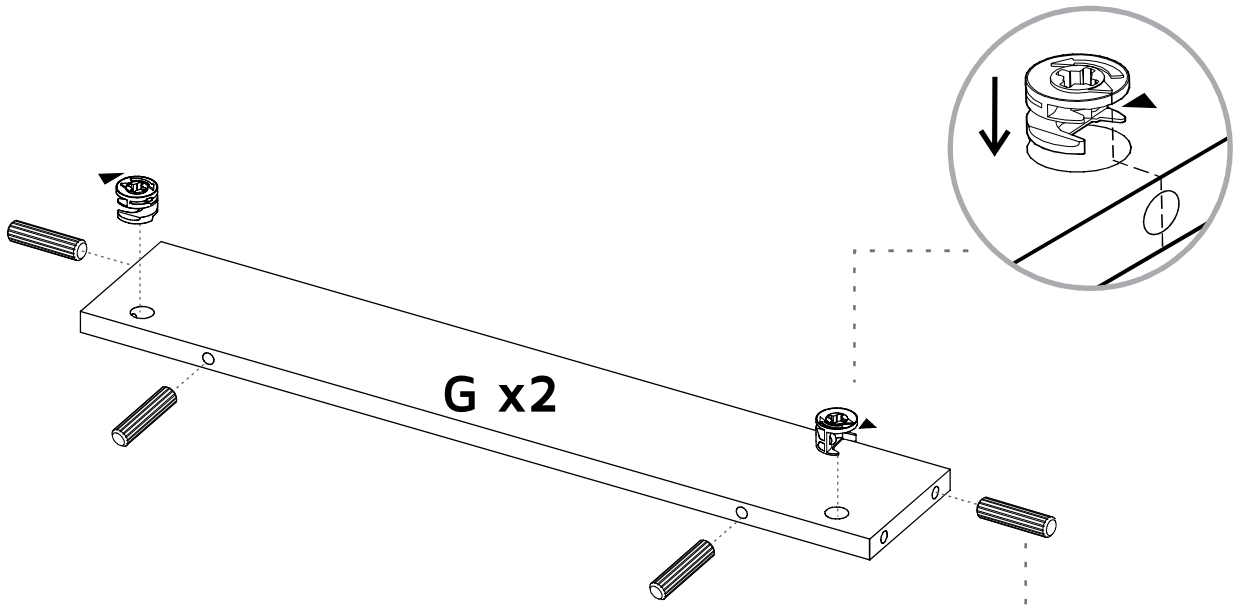
1



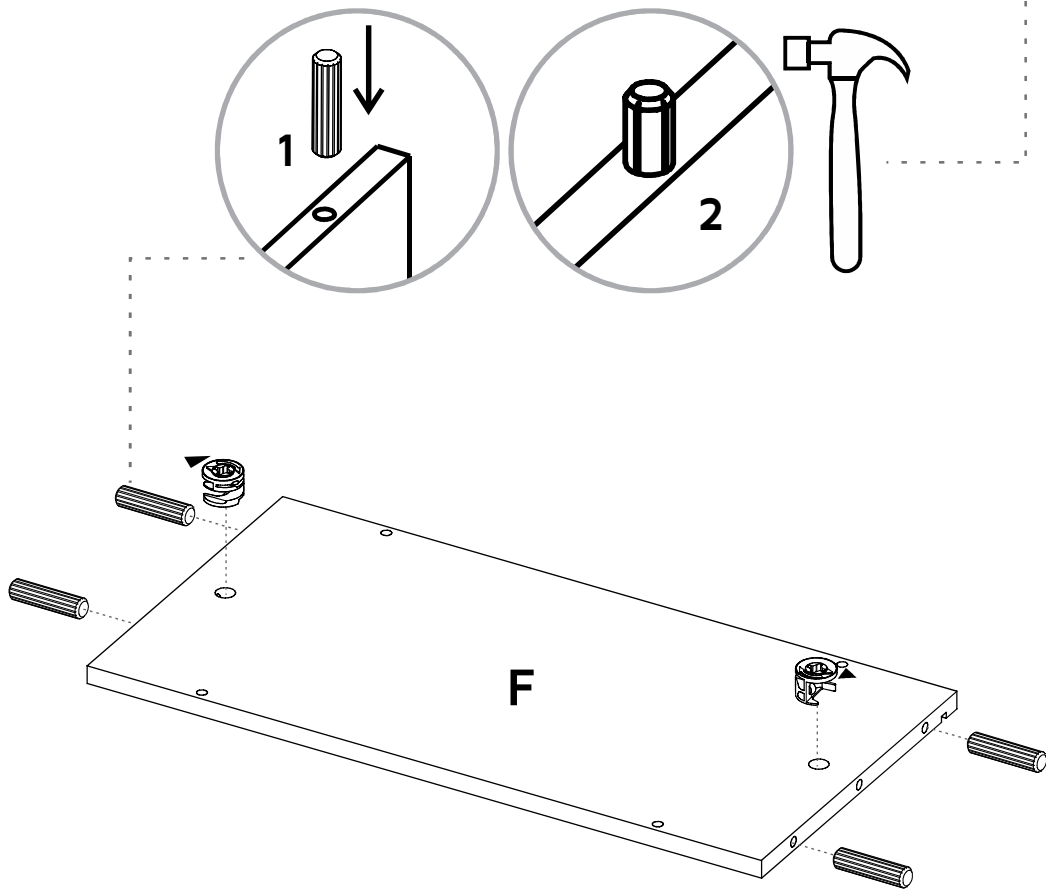
2



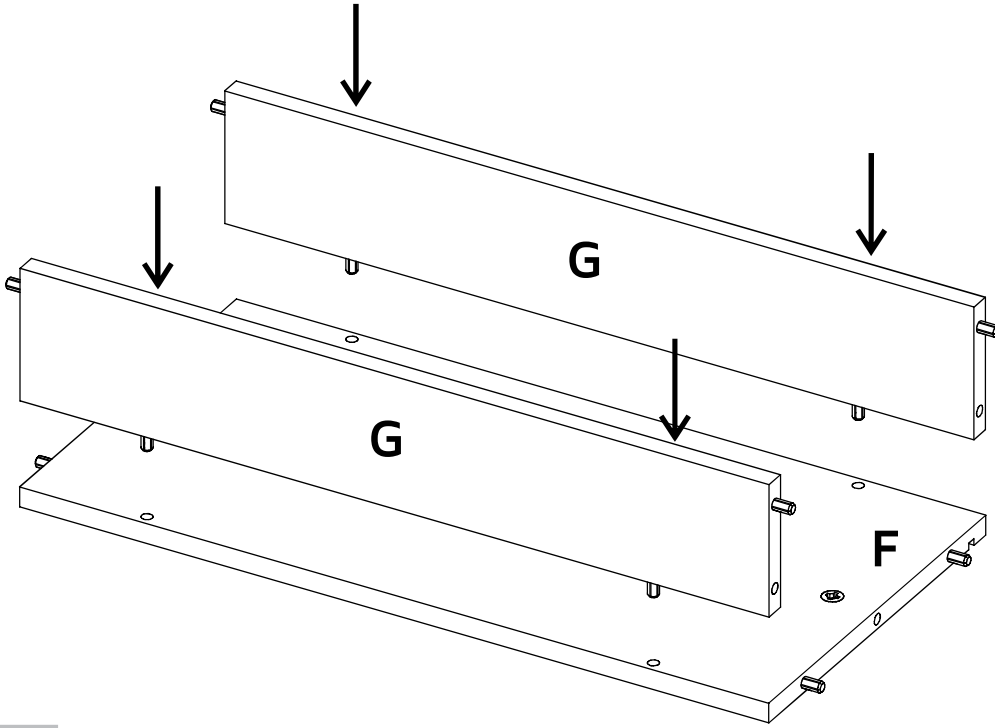
3



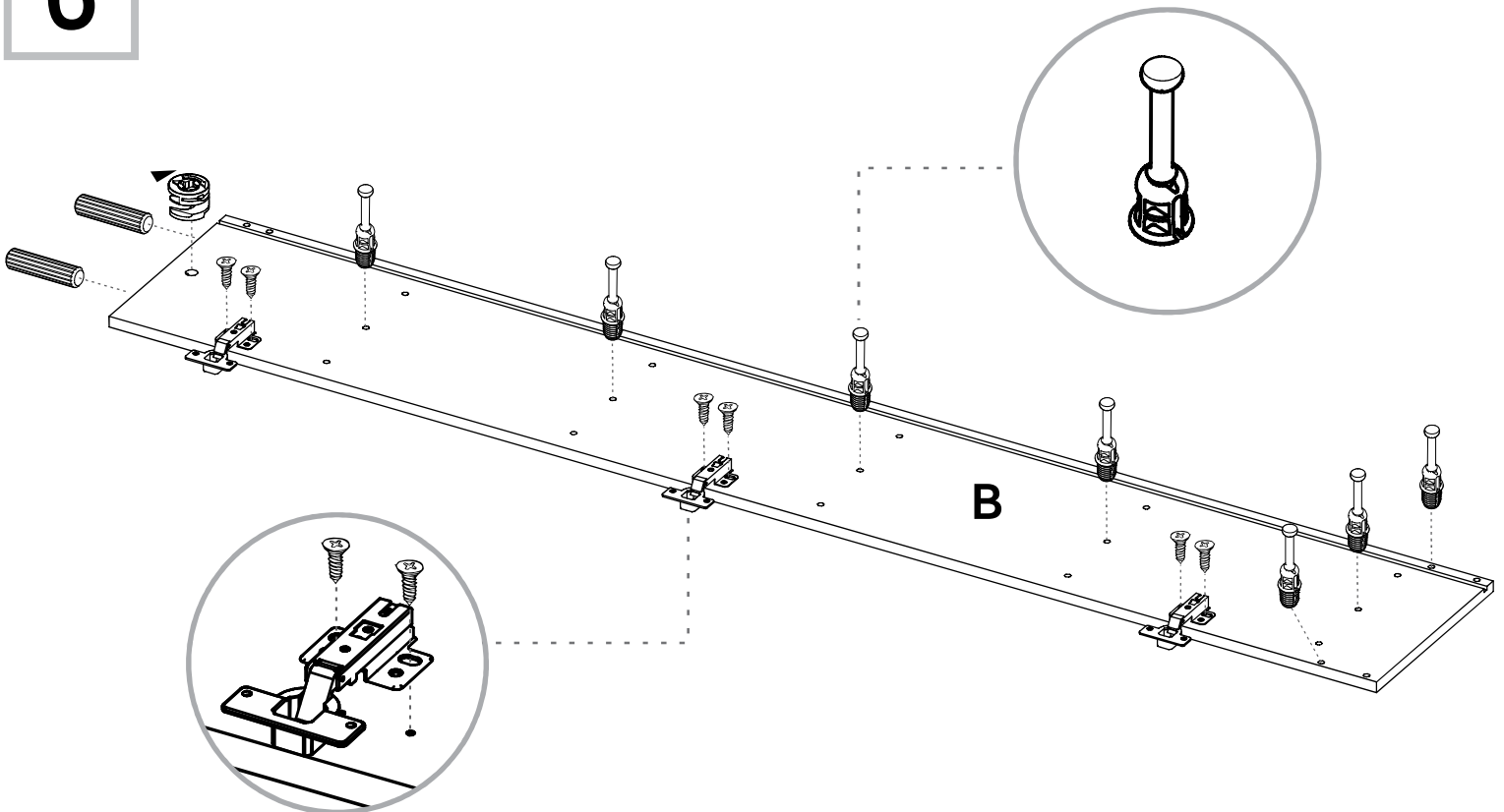
4



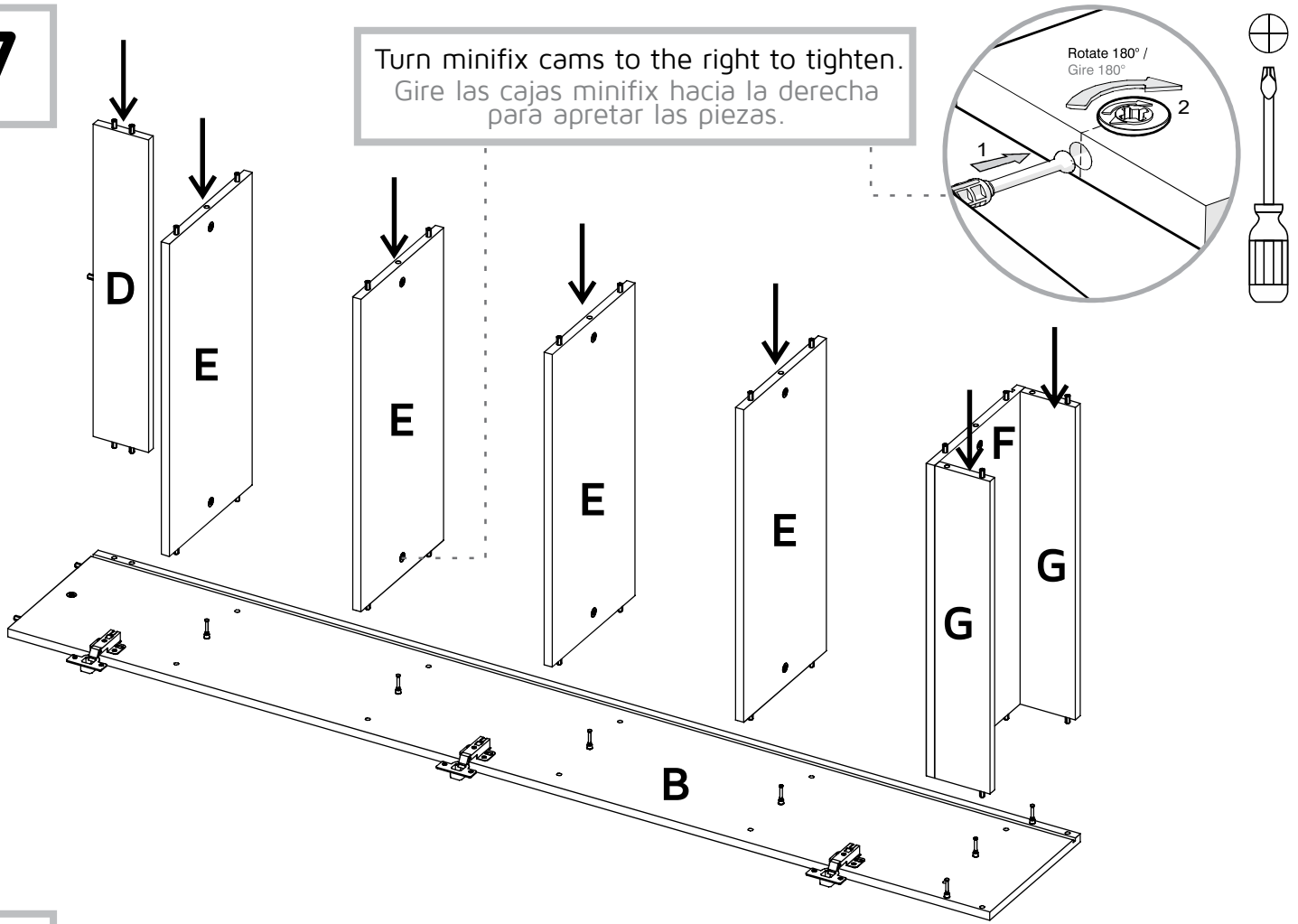
5



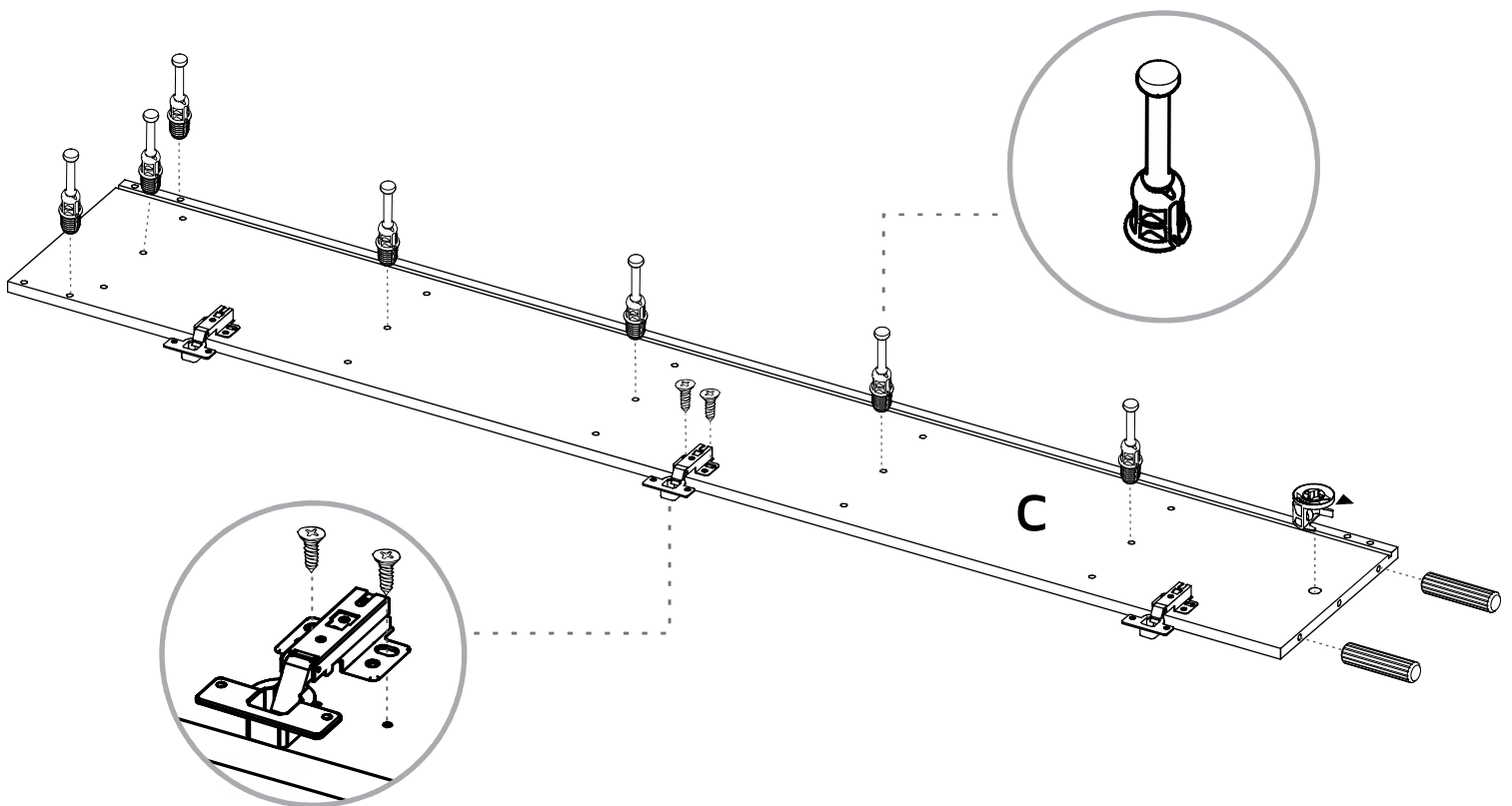
6



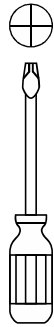
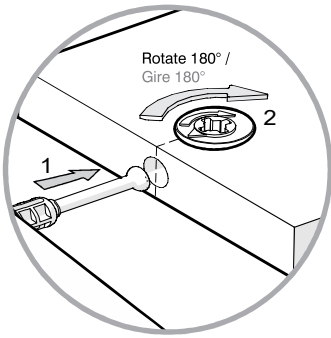
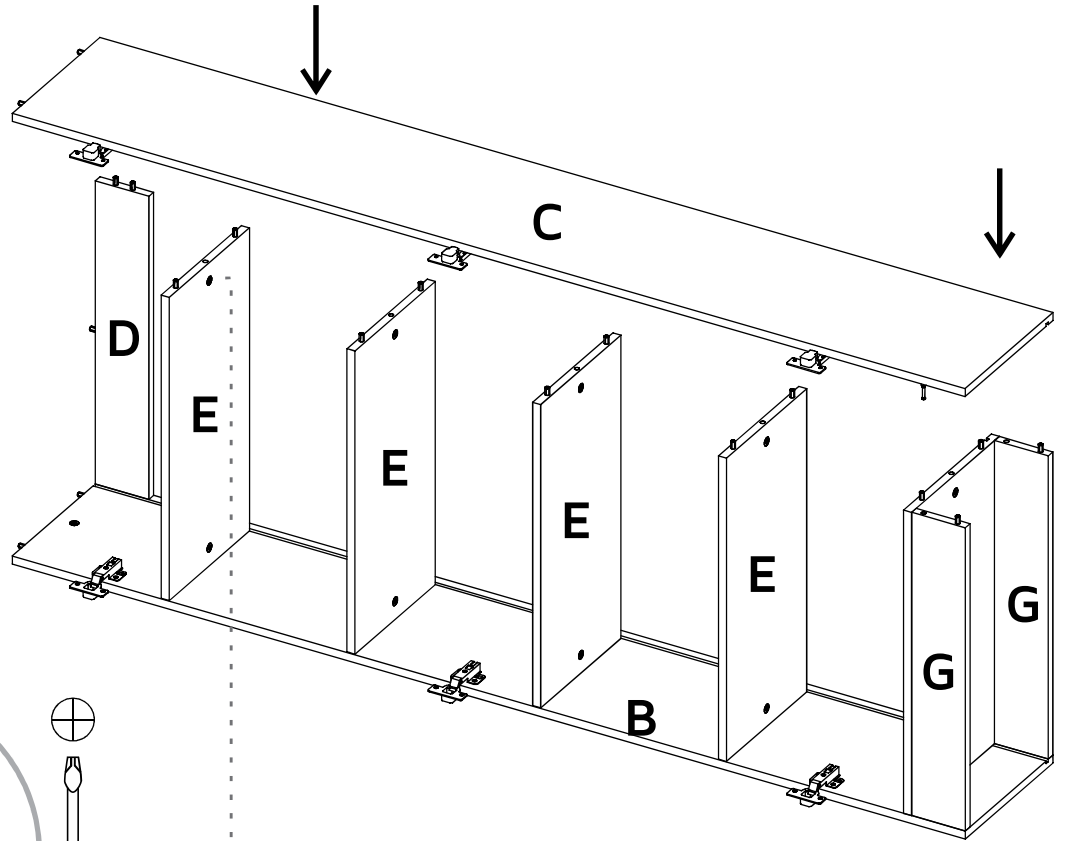
7



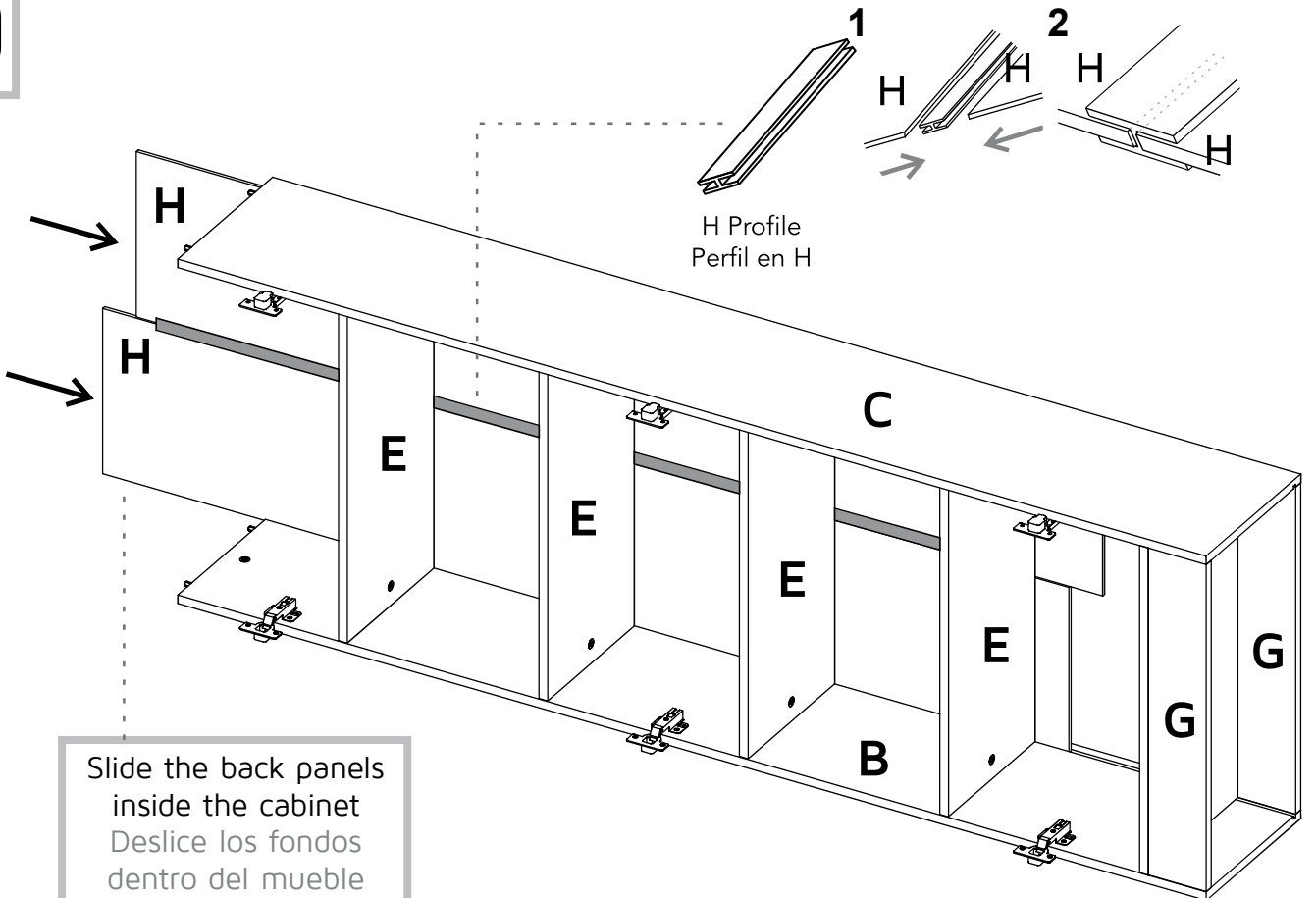
8



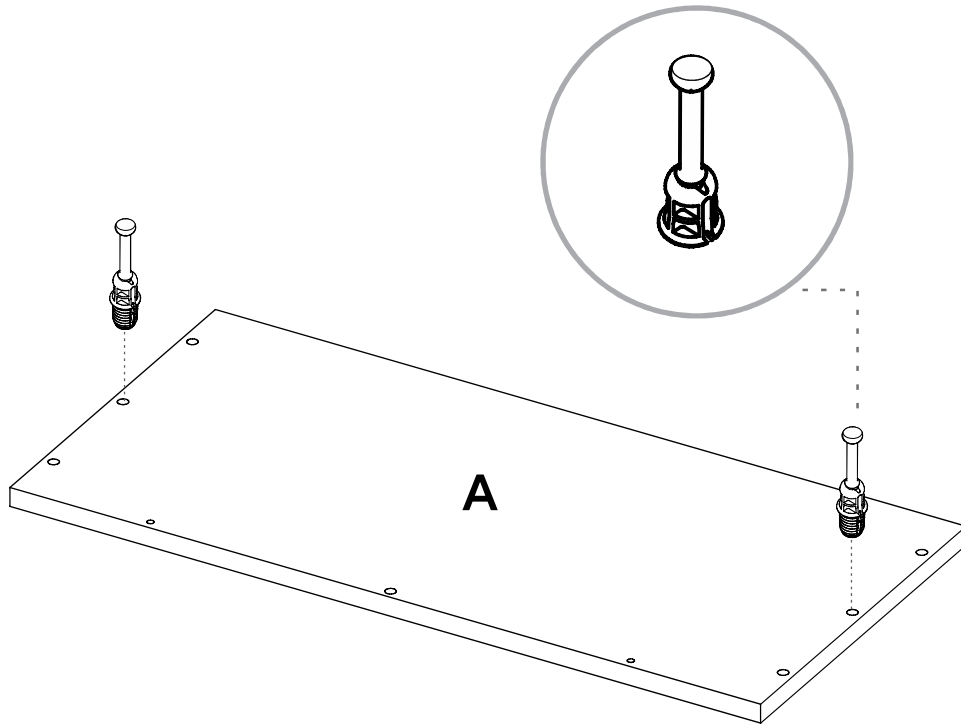
9



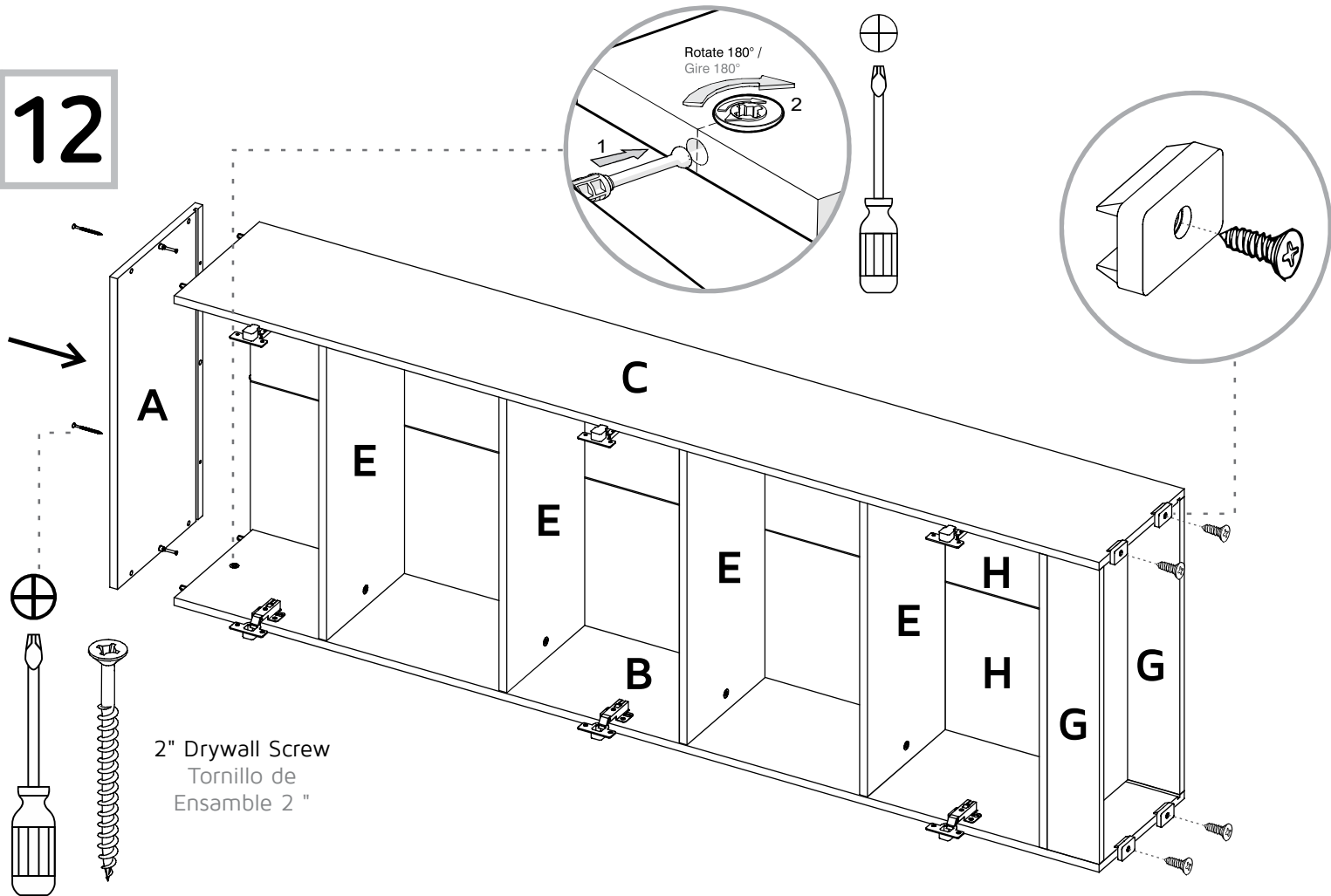
10



11



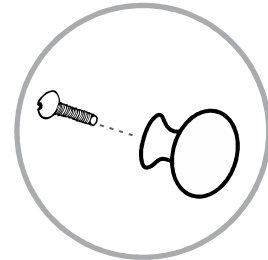
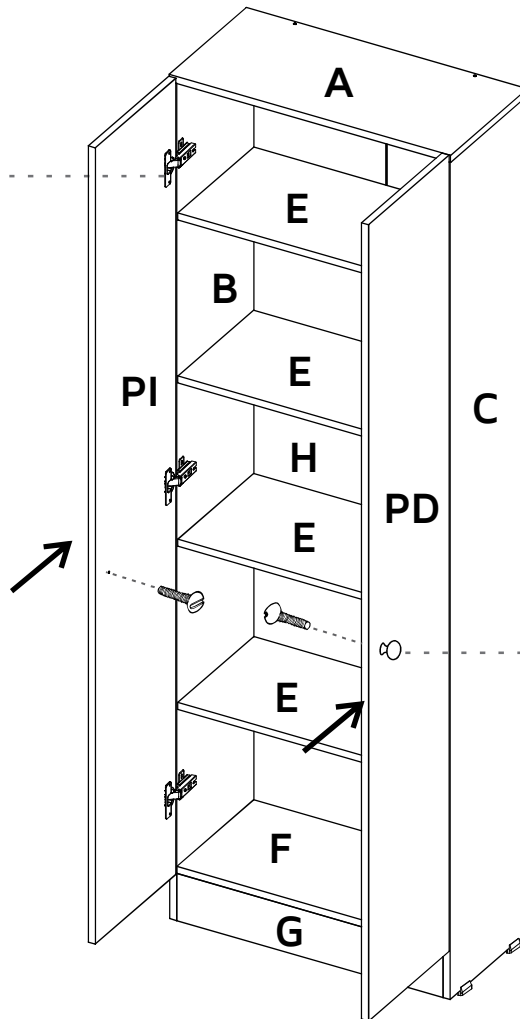
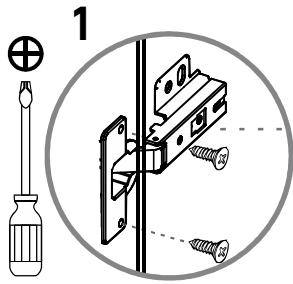
12



13 Door Installation

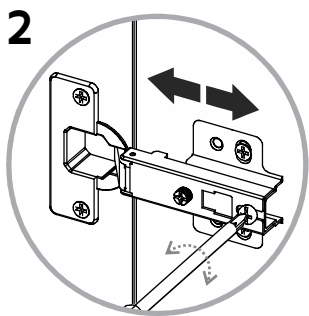
Instalación de las Puertas

Be careful turning over the cabinet.
Tenga cuidado al voltear el mueble.

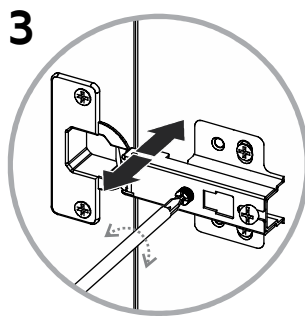


Hinge adjustment

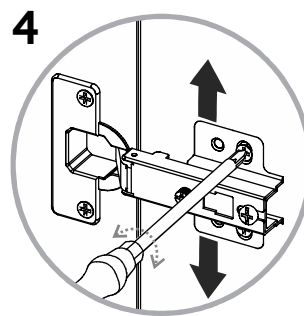
Ajuste de las bisagras



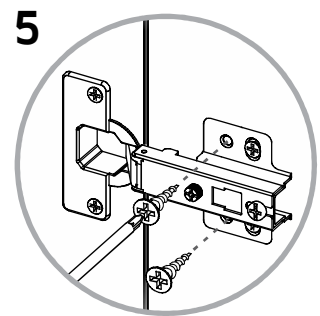
Depth adjustment
Ajuste de profundidad



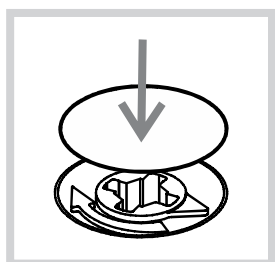
Side adjustment
Ajuste lateral



Height adjustment
Ajuste de altura

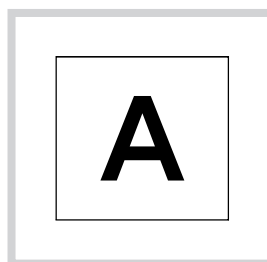


Front screws adjustment
Ajuste tornillos frontales



After you finish the adjustment of the cams, cover them with the cover caps.

Después de ajustar todas las cajas minifix, cúbralas con las tapas adhesivas.








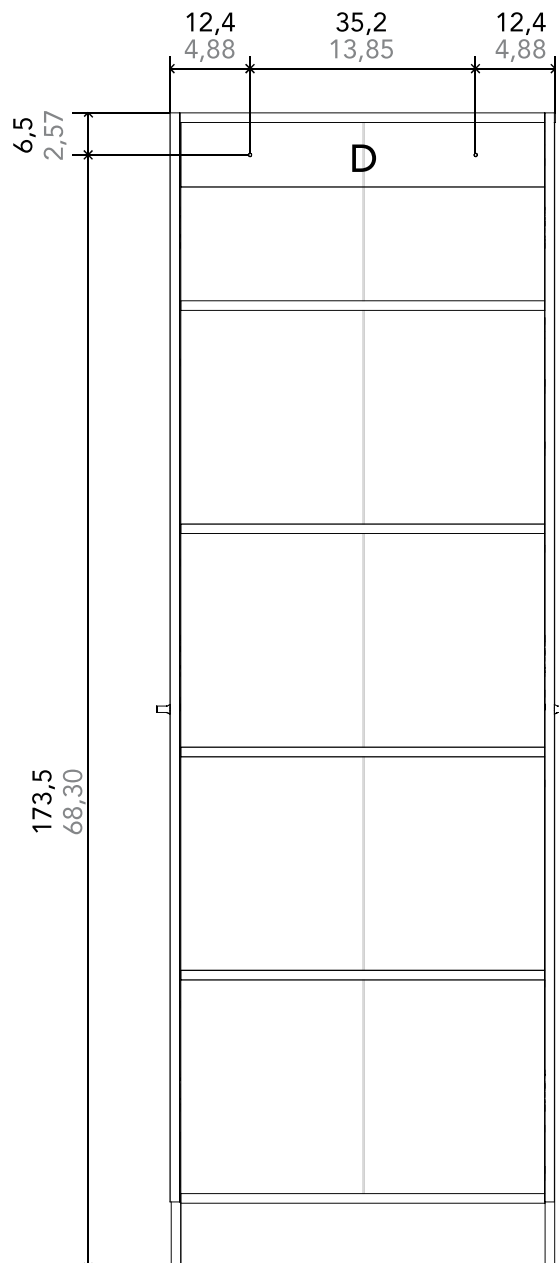
After you finish assembling the cabinet, take off the adhesive letters.

Al terminar de armar, despegue las letras adhesivas.

Fija el mueble a la pared

Fix your cabinet to the wall

- 1 Debes perforar los fondos guiandote de las perforaciones de las estructuras con una broca 3/16". / You must drill the bottoms guided by the holes in the structures with a 3/16" drill bit. 
- 2 En la pared, mide y marca los puntos que te indicamos abajo. / On the wall, measure and mark the points shown below. 
- 3 Debes perforar en los puntos con taladro y una broca de 5/16". / Drill on the markings with a 5/16" drill bit. 
- 4 Inserta los chazos plásticos en las perforaciones. / Insert the wall anchors inside the drillings. 
- 5 Ubica el mueble y asegúralo con los tornillos. / Place the cabinet and secure it with the screws. 



*Medidas en cm
*Dimensions in inches

WARRANTY POLICY

Furniture has a 1 year warranty coverage in wooden parts and hardware pieces since its manufacturing date, which you can see in the lot number printed on the product box and the assembly instructions leaflet.

Warranty covers materials and workmanship imperfections which impair the assembly or correct functioning of the cabinet.

This warranty is not valid if the defects or imperfections are caused by the incorrect following of the assembly instructions, warnings and recommendations, misuse, intentional damage, fire or flood, or after modifications or any kind of alteration, or repaired by someone not authorized, when it's been assembled 3 months after the date of purchase. These defects MUST be reported before the warranty coverage period ends. Once the product has been assembled, the company will not be responsible for defective and/or damaged parts.

This warranty is ONLY valid for the ORIGINAL PURCHASER, it doesn't apply if the product has been resold, rented, etc.

Furniture will take no liability for incidental or consequential damages caused to or by the product (This may not apply in your state).

To make this warranty valid you must write to our customer service email describing the product defect, lot number and submitting your sales receipt or proof of purchase, or contact us at our customer service line. Replaced parts will be under the product's original warranty coverage period. Damaged parts will become property of the company.

There are no other warranties applicable to this product.