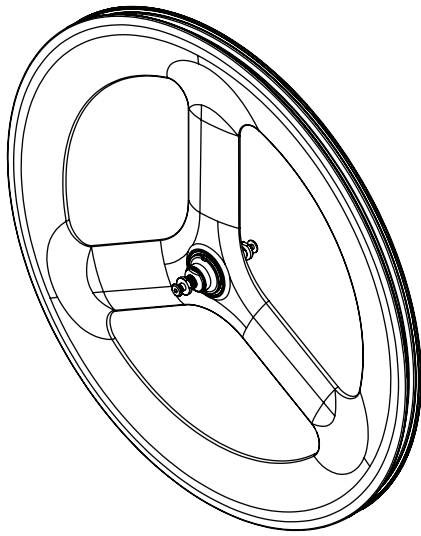


Velobike

Altair 3-spoke



WHEEL SPECIFICATIONS:

- Front wheel
- Size: 700c
- Weight: 760g +/- 1% (without hub assembly)
- Material: Japanese M40J Toray Carbon Fibre
- Finish: UD tool finish (no clear coat)
- Rim Type: Clincher / Tubular
- Tubeless Clincher Compatible: Yes (Clincher wheel only)
- Tyre Size: 23-25c
- 88% stronger than the UCI requirements for road wheels
- Interchangeable hub system for various fork designs

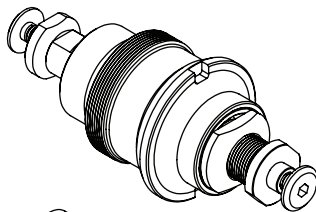
HUB SPECIFICATIONS:

- CNC Machined Hub Shell
- 7075-T6 Aluminium
- Anodized finish

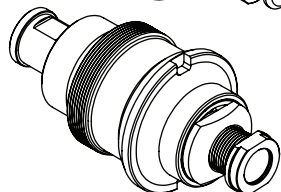
Standard Hub

- 100x9mm Bolt on Axle
- 100x12mm Through Axle
- Bearings: NTN 6902 Non Contact Seal

100mm x9mm
Axle Assembly



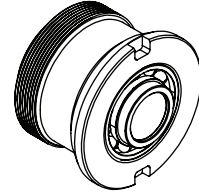
100mm x 12mm
Through Axle Assembly



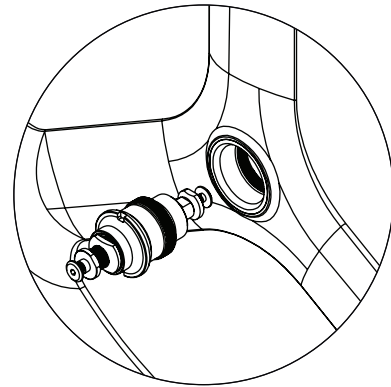
Narrow Hub (sold separately)

- 40x15mm Through Axle Hub
- Bearings: NTN 6903 Non Contact Seal

40mm x 15mm
Through Axle Assembly



HUB INSTALLATION:



The Altair 3-Spoke wheel features innovative modular hub system. The semi-permanent installation allows for serviceability and anti-redundancy as new fork interfaces are released.

1. Clean hub interfaces with isopropyl alcohol to remove contamination.
2. Apply Loctite 243 (Blue) to hub and hub shell threads
3. Screw the hub into the wheel (clockwise thread)
4. Torque to 6Nm maximum. (If not using a torque wrench, tighten to firm using a locking tool). Overtightening could damage the wheel.
5. Let Loctite cure for a minimum of 24hours before riding

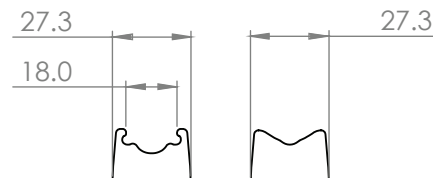
TYRE SELECTION:

Clincher

- 23c to 25c
- 150psi maximum
- 18mm inner bead width
- 27.3mm maximum rim width
- Rim tape not required

Tubular

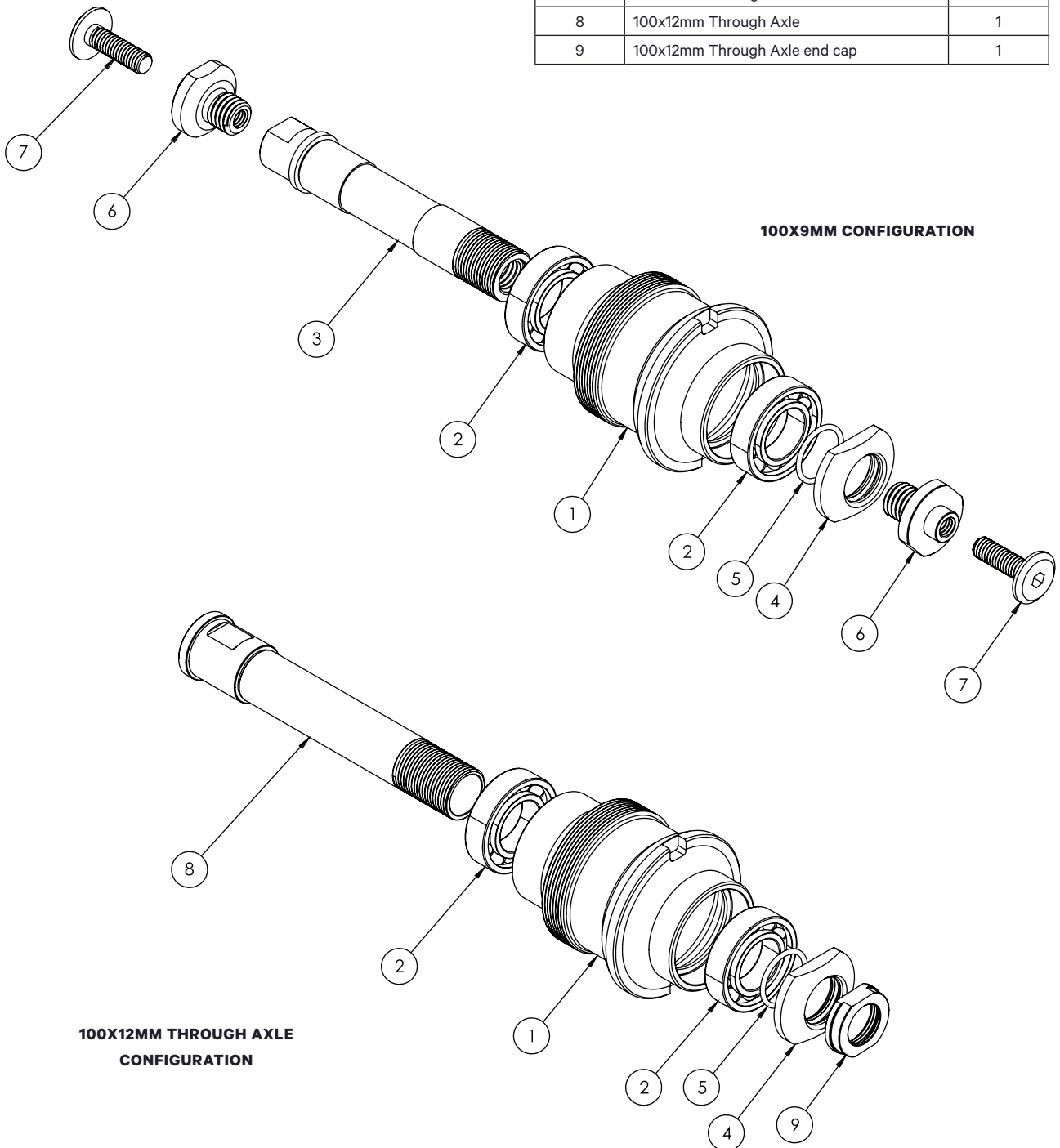
- 23c to 25c
- 220psi maximum
- 27.3mm maximum rim width
- Glueing tyres required



Velobike

Altair 3-spoke

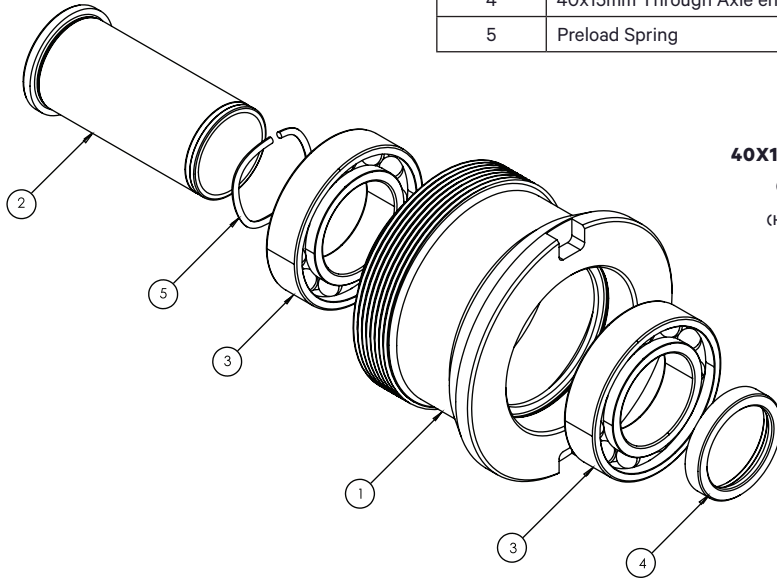
| Item No. | Description | Quantity |
|----------|------------------------------------|----------|
| 1 | Altair 100mm front hub shell | 1 |
| 2 | NTN 6902 non-contact seal bearings | 2 |
| 3 | Axle | 1 |
| 4 | Preload nut | 1 |
| 5 | Preload nut o-ring | 2 |
| 6 | Axle ends (9mm diameter) | 2 |
| 7 | Axle end fastenings | 1 |
| 8 | 100x12mm Through Axle | 1 |
| 9 | 100x12mm Through Axle end cap | 1 |



Velobike

Altair 3-spoke

| Item No. | Description | Quantity |
|----------|--------------------------------------|----------|
| 1 | Altair 40mm (Narrow) front hub shell | 1 |
| 2 | 40x15mm Through Axle | 1 |
| 3 | NTN 6903 non-contact seal bearings | 2 |
| 4 | 40x15mm Through Axle end cap | 1 |
| 5 | Preload Spring | 1 |



**40X15MM THROUGH AXLE
CONFIGURATION**
(HUB SOLD SEPARATELY)