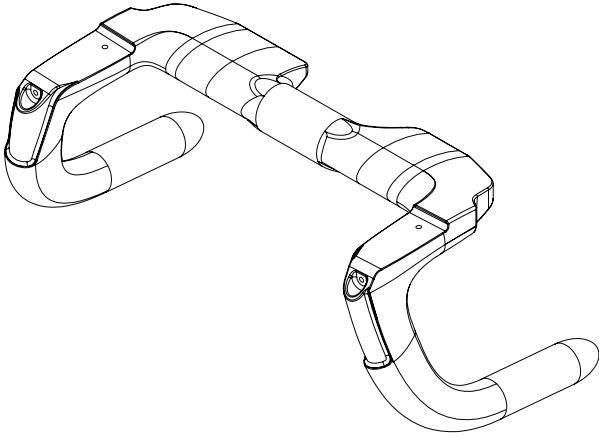


Velobike

Skat Endurance Handlebar



This document relates to the following Handlebars:

- SKU: VB-H-SKAT-275
- SKU: VB-H-SKAT-300
- SKU: VB-H-SKAT-325
- SKU: VB-H-SKAT-350

SPECIFICATIONS:

- UCI legal for the 2023 ruleset
- Designed and tested to exceed 1.5x ISO strength requirements
- Ceramic gloss finish
- Japanese Toray High Modulus Carbon Fiber
- 275mm, 300mm, 325mm and 350mm widths (center to center)
- 110mm drop (center to center)
- $\varnothing 26$ mm grips
- $\varnothing 31.8$ mm stem clamping area
- 15° grip angle

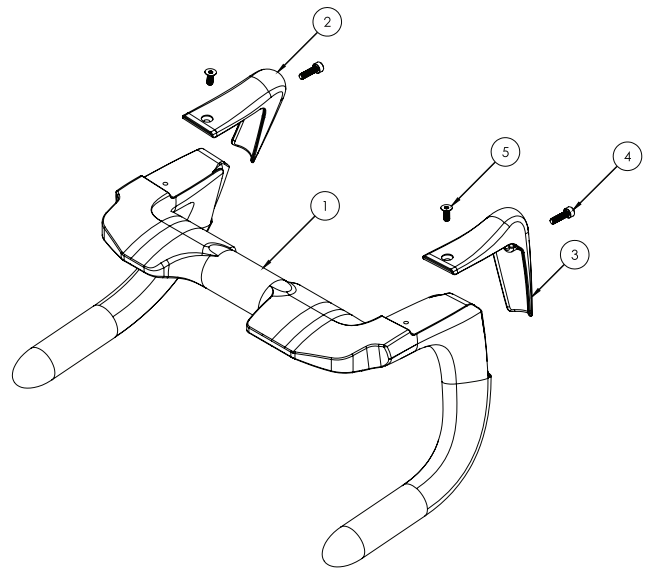
FEATURES:

- Patent pending design
- 4x bar widths
- Modular grip hoods
- Utilising the full 2023 UCI geometry regulations
- 1.5x ISO strength certified
- Highly ergonomic drop design fostering multiple grip positions
- Balance between aero optimisation and modularisation
- Wrist clearances for standing efforts
- Wind tunnel validated during the R&D process
- Integrated bar end aero
- New Zealand FernMark Licenced

SKAT ENDURANCE HANDLEBAR ASSEMBLY:

Item No.	Description	Quantity
1	Skat Endurance Handlebar	1
2	Skat Grip Left*	1
3	Skat Grip Right*	1
4	M4x15mm Socket Head Machine Screw	2
5	M4x10mm Countersunk Screw	2

* Various grips styles are available, refer to the following pages.



TORQUE SPECIFICATIONS:

Stem Clamp

- 5Nm (maximum)
- Refer to stem clamping specification and tighten to the lowest value.

Grip Screws (Item No. 4/5)

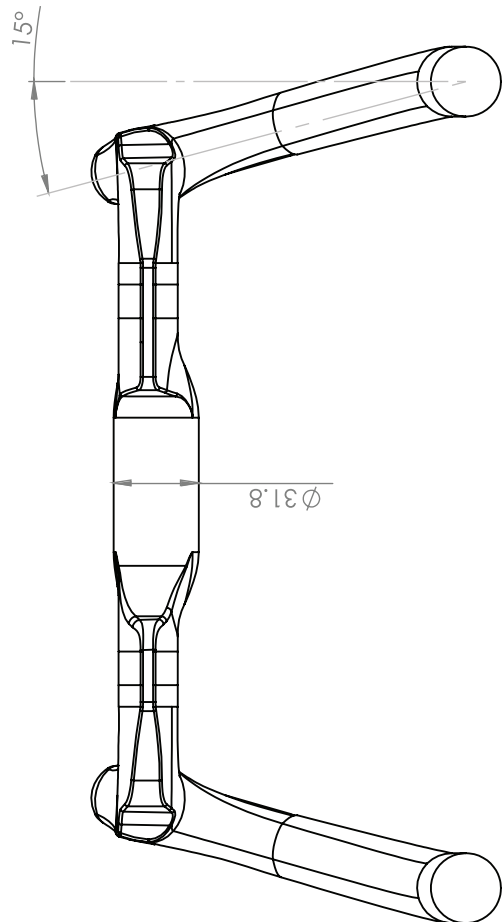
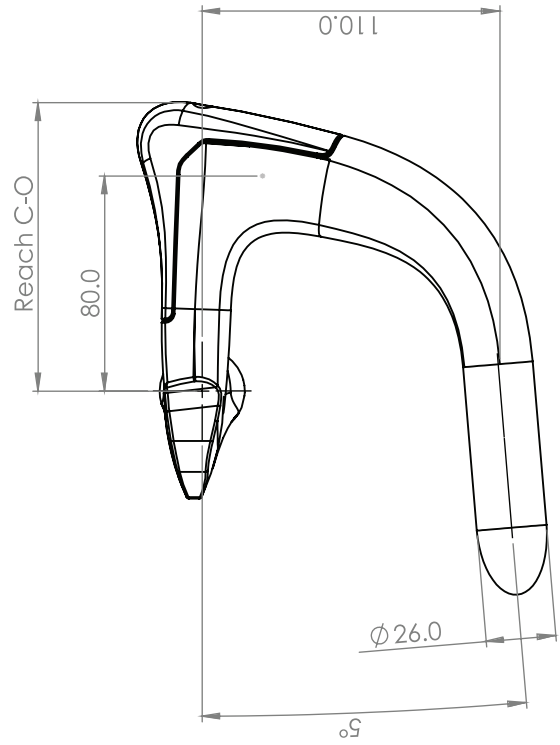
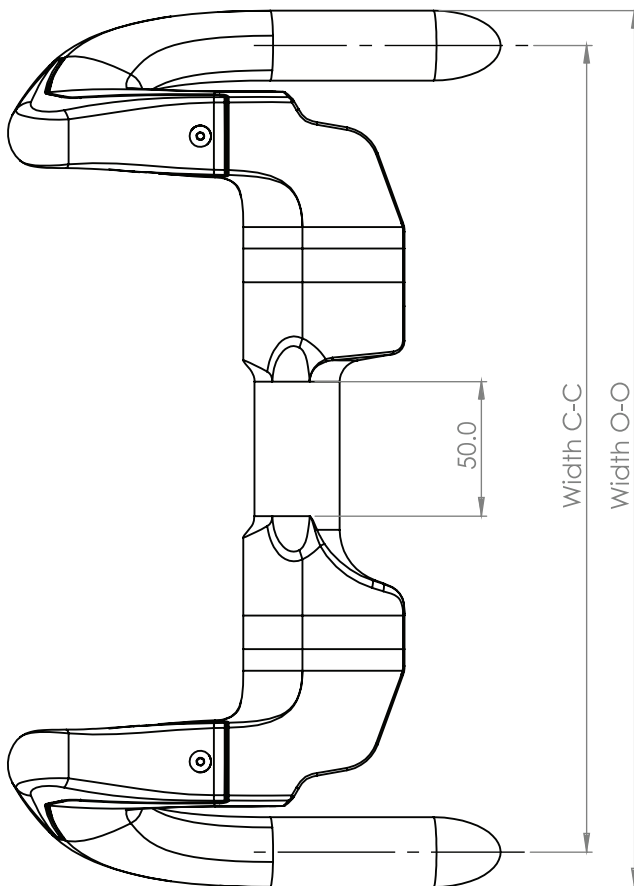
- 2 Nm (maximum)
- Use Loctite 243 for best security

Velobike

Skat Endurance Handlebar

Width C-C	Width O-O	Reach C-O
275mm	301mm	Refer to Grip Style
300mm	325mm	
325mm	351mm	
350mm	376mm	

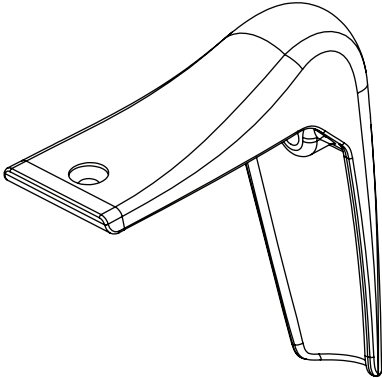
300mm Skat Endurance Handlebars with Grip-A illustrated



Velobike

Skat Endurance Handlebar

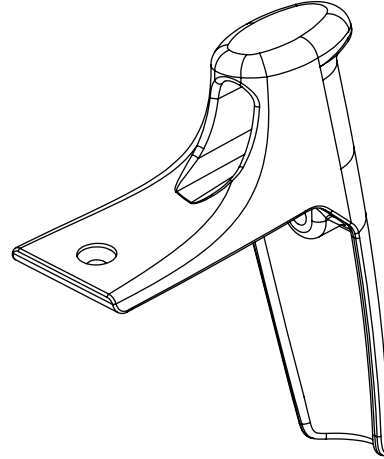
SKAT GRIP-A



- SKU: VB-H-SKAT-GRIP-A
- Reach C-O: 108mm \pm 2mm

For riders who do prefer a more traditional hood. Its low profile design is primarily to cap off the mounting recess for a flush finish. A shallow hump provides some support for the athlete to rest on - especially during recovery periods, however the low-profile nature is to keep the protrusion out of the way.

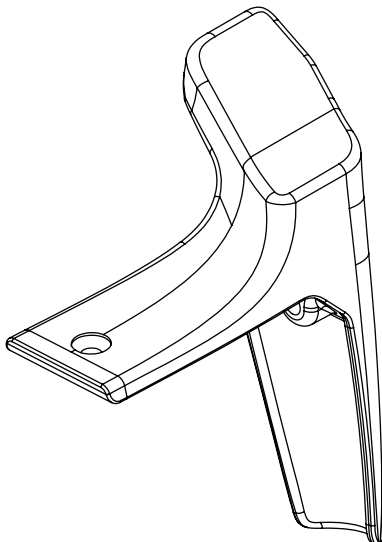
SKAT GRIP-B



- SKU: VB-H-SKAT-GRIP-B
- Reach C-O: 109mm \pm 2mm

Replicating a road bike hood grip position. A hook on the top adds support for 1-2 fingers to hook underneath for further grip security. A hole through the centre reduces frontal area when the rider is in the drops. The hole energises airflow behind the grip and across the forearm.

SKAT GRIP-C



- SKU: VB-H-SKAT-GRIP-C
- Reach C-O: 115mm \pm 2mm

An aggressive narrow position with the hoods angled inward. The rider grips the handlebars in a sphinx type position where the riders fists are clamped horizontally. The grip position narrows the frontal area of the rider for further optimised aerodynamics.

MORE SKAT ENDURANCE HANDLEBAR GRIPS
COMING SOON