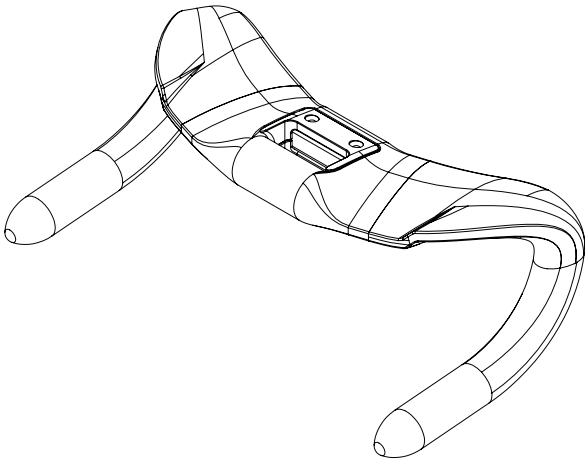


Velobike

Altias Sprint Handlebar



This document relates to the following Handlebars:

- SKU: VB-H-ALTIAS-275
- SKU: VB-H-ALTIAS-300
- SKU: VB-H-ALTIAS-325
- SKU: VB-H-ALTIAS-350

SPECIFICATIONS:

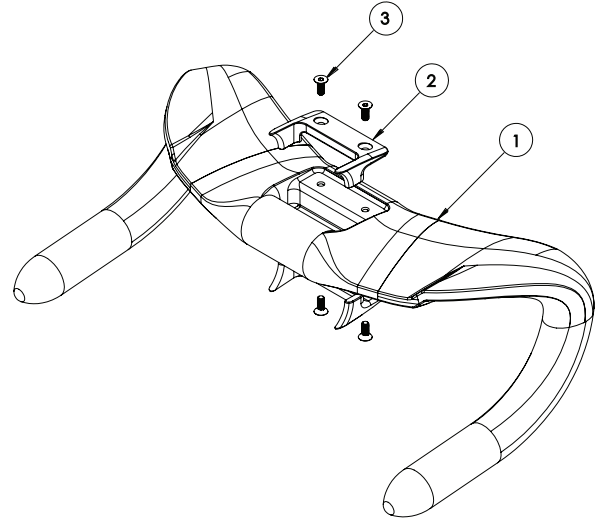
- UCI legal for the 2023 ruleset
- Designed and tested to exceed 2x ISO strength requirements
- Ceramic gloss finish
- Japanese Toray High Modulus Carbon Fiber
- 275mm, 300mm, 325mm and 350mm widths (center to center)
- 73mm drop (center to center)
- $\varnothing 27\text{mm}$ oversize grips
- $\varnothing 31.8\text{mm}$ stem clamping area
- 5° grip angle

FEATURES:

- 4x bar widths
- Utilising the full 2023 UCI geometry regulations
- 2x ISO strength certified
- Highly ergonomic grip design fostering multiple grip positions
- Balance between aero optimisation and modularisation
- Aero trips around forearms
- Wind tunnel validated during the R&D process
- Integration with the Velobike Argon18 direct mount stems (with more stem integrations planned for the future)
- Integrated bar end aero
- New Zealand FernMark Licensed

ALTIAS SPRINT HANDLEBAR ASSEMBLY:

| Item No. | Description | Quantity |
|----------|-------------------------------|----------|
| 1 | Altias Sprint Handlebar | 1 |
| 2 | Altias Faceplate Pocket Cover | 2 |
| 3 | M4x8mm Countersunk Screw | 4 |



TORQUE SPECIFICATIONS:

Stem Clamp

- 5Nm (maximum) on faceplate screws.
- Refer to stem clamping specification and tighten to the lowest value.

Faceplate Pocket Cover Screws (Item No. 3)

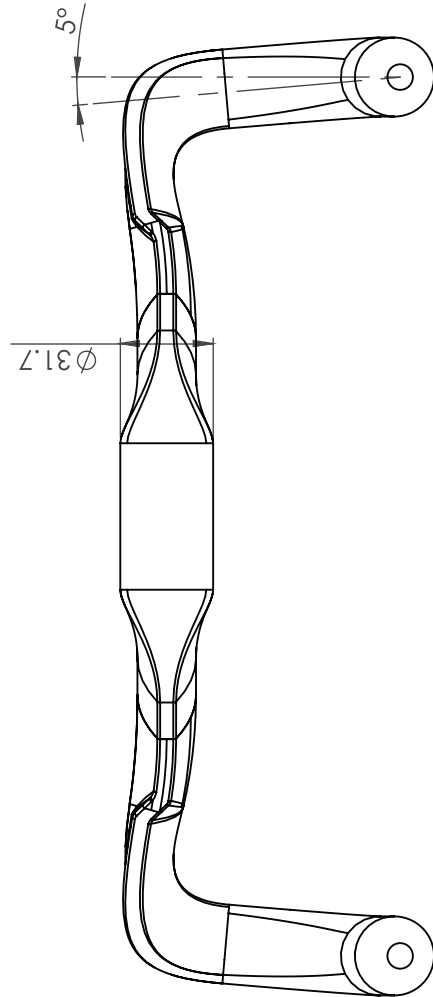
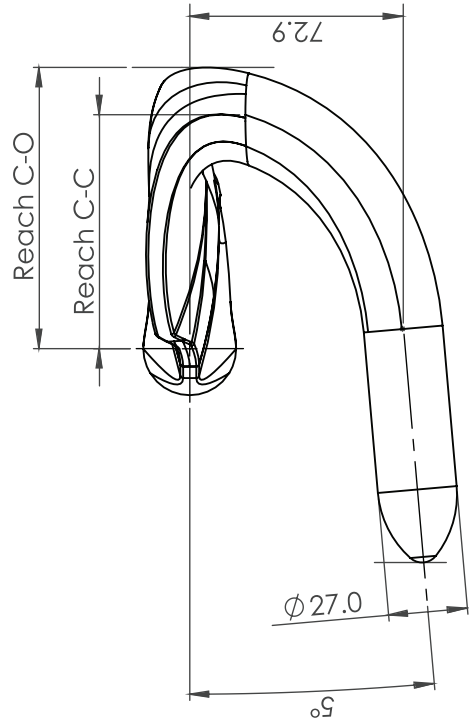
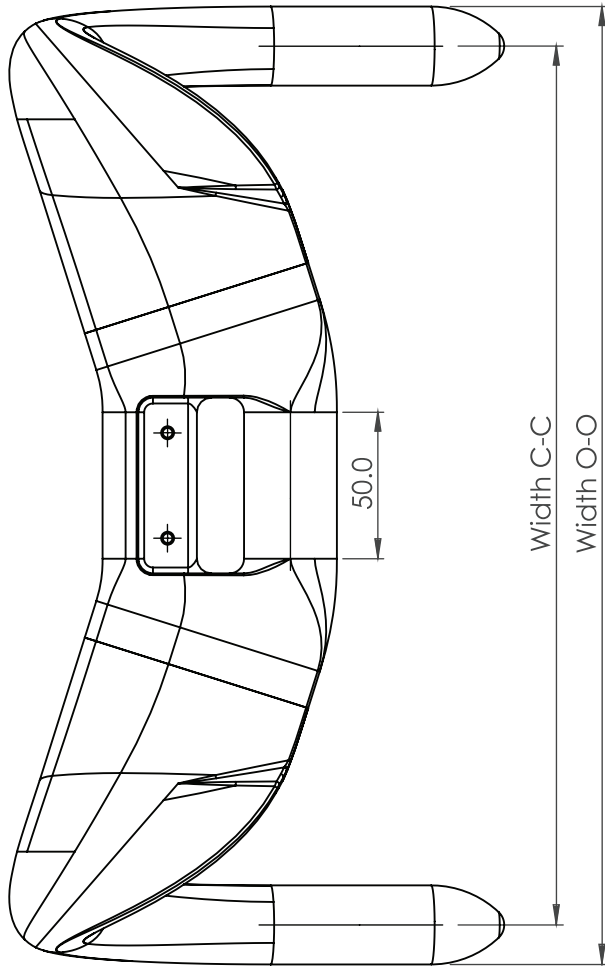
- 1.5 Nm (maximum)

Velobike

Altias Sprint Handlebar

| Width C-C | Width O-O | Reach C-C | Reach C-O |
|-----------|-----------|-----------|-----------|
| 275mm | 302mm | 76mm | 92mm |
| 300mm | 327mm | 80mm | 96mm |
| 325mm | 352mm | 84mm | 100mm |
| 350mm | 372mm | 88mm | 104mm |

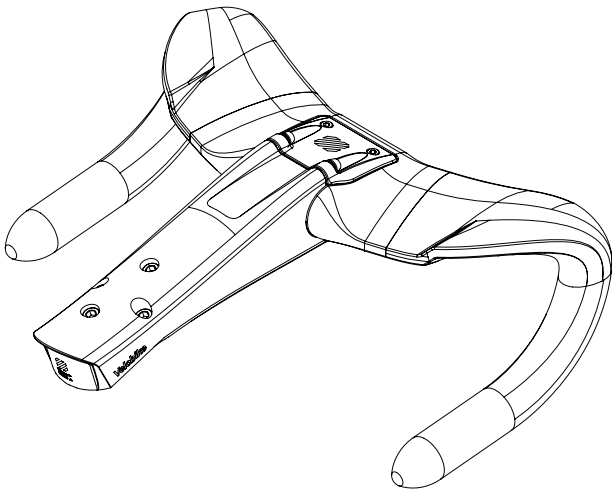
300mm Width Altias Sprint Handlebars Illustrated



Velobike

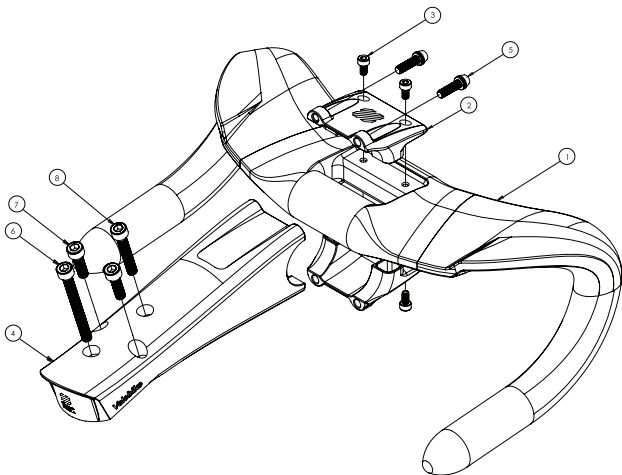
Altias Sprint Handlebar

ALTIAS SPRINT HANDLEBAR & ARGON18 LONGBOI STEM INTEGRATION:



Although the Altias Sprint Handlebars are designed for use with any generic 31.8mm clamp stem, they were also developed in conjunction with the Longboi Argon18 Stems to work as a system.

Custom Altias faceplates mount to the handlebars for increased interface stiffness and aerodynamic optimisation.



| Item No. | Description | Quantity |
|----------|----------------------------------|----------|
| 1 | Altias Sprint Handlebar | 1 |
| 2 | Altias Faceplate | 2 |
| 3 | M4x8mm Socket Head Screw | 4 |
| 4 | Longboi Stem — Argon18* | 1 |
| 5 | Longboi Stem — Faceplate Screws* | 4 |
| 6 | Stem Bolt Rear* | 1 |
| 7 | Stem Bolt Middle* | 2 |
| 8 | Stem Bolt Front* | 1 |

* Refer to the Velobike Longboi Stem for the Argon18 User Manual for stem specifications.

TORQUE SPECIFICATIONS:

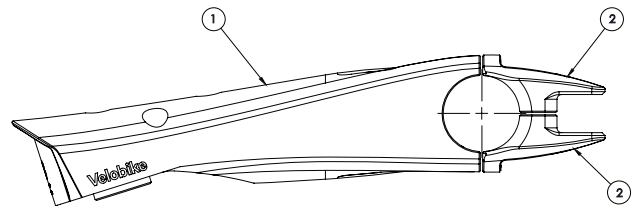
Stem Clamp Screws (Item No. 5)

- 5Nm (maximum)

Faceplate Pocket Screws (Item No. 3)

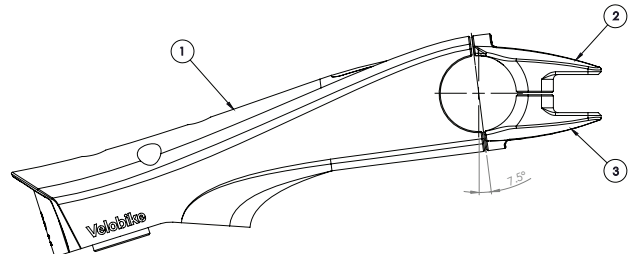
- 3Nm (maximum)

30MM STACK STEM FACEPLATE



| Item No. | Description | Quantity |
|----------|--------------------------------------|----------|
| 1 | Longboi Stem — Argon18 (30mm Stack)* | 1 |
| 2 | Altias Faceplate 0° | 2 |

60MM STACK STEM FACEPLATE

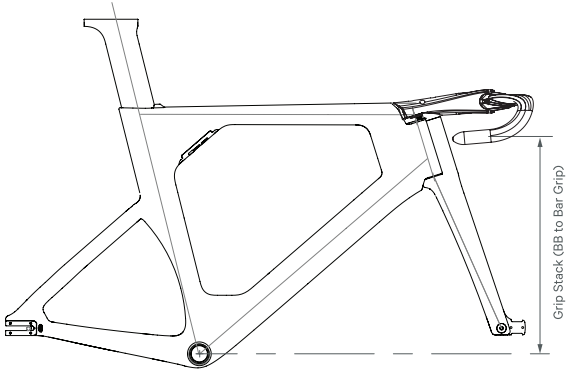


| Item No. | Description | Quantity |
|----------|--------------------------------------|----------|
| 1 | Longboi Stem — Argon18 (60mm Stack)* | 1 |
| 2 | Altias Faceplate 7.5° Pt.1 | 1 |
| 3 | Altias Faceplate 7.5° Pt.2 | 1 |

Velobike

Altias Sprint Handlebar

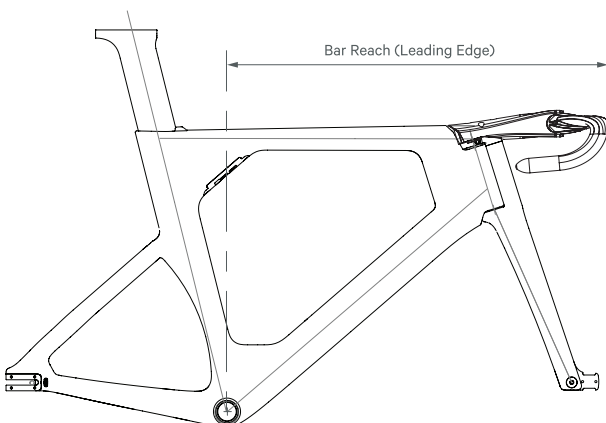
ARGON 18 ELECTRON PRO TKO ALTIAS SPRINT HANDLEBAR & LONGBOI ARGON18 STEM GRIP STACK:



| Stem Stack (mm) | Argon18 Electron Pro RIO & TKO | | | |
|-----------------|--------------------------------|-----|-----|-----|
| | XS | S | M | L |
| 30 | 400 | 439 | 454 | 469 |
| 60 | 430 | 469 | 484 | 499 |
| 90 | 460 | 499 | 514 | 529 |

ARGON 18 ELECTRON PRO TKO ALTIAS SPRINT HANDLEBAR & LONGBOI ARGON18 STEM INTEGRATION GEOMETRY:

Below are the geometry tables for the total handlebar reach from the full intergrated system. Each table represents a different size TKO frameset, whereby each stem length and handlebar size's reach is noted. Stem stack does not effect the total reach.



| Argon18 Electron Pro TKO | | Size: XS | | |
|--------------------------|-----------------------------------|----------|-----|-----|
| Stem Length (mm) | Altias Sprint Handlebar Size (mm) | | | |
| | 275 | 300 | 325 | 350 |
| 120 | 615 | 619 | 623 | 627 |
| 130 | 625 | 629 | 633 | 637 |
| 140 | 635 | 639 | 643 | 647 |
| 150 | 645 | 649 | 653 | 657 |
| 160 | 655 | 659 | 663 | 667 |
| 170 | 665 | 669 | 673 | 677 |
| 180 | 675 | 679 | 683 | 687 |
| 190 | 685 | 689 | 693 | 697 |

| Argon18 Electron Pro TKO | | Size: S | | |
|--------------------------|-----------------------------------|---------|-----|-----|
| Stem Length (mm) | Altias Sprint Handlebar Size (mm) | | | |
| | 275 | 300 | 325 | 350 |
| 120 | 630 | 634 | 638 | 642 |
| 130 | 640 | 644 | 648 | 652 |
| 140 | 650 | 654 | 658 | 662 |
| 150 | 660 | 664 | 668 | 672 |
| 160 | 670 | 674 | 678 | 682 |
| 170 | 680 | 684 | 688 | 692 |
| 180 | 690 | 694 | 698 | 702 |
| 190 | 700 | 704 | 708 | 712 |

| Argon18 Electron Pro TKO | | Size: M | | |
|--------------------------|-----------------------------------|---------|-----|-----|
| Stem Length (mm) | Altias Sprint Handlebar Size (mm) | | | |
| | 275 | 300 | 325 | 350 |
| 120 | 650 | 654 | 658 | 662 |
| 130 | 660 | 664 | 668 | 672 |
| 140 | 670 | 674 | 678 | 682 |
| 150 | 680 | 684 | 688 | 692 |
| 160 | 690 | 694 | 698 | 702 |
| 170 | 700 | 704 | 708 | 712 |
| 180 | 710 | 714 | 718 | 722 |
| 190 | 720 | 724 | 728 | 732 |

| Argon18 Electron Pro TKO | | Size: L | | |
|--------------------------|-----------------------------------|---------|-----|-----|
| Stem Length (mm) | Altias Sprint Handlebar Size (mm) | | | |
| | 275 | 300 | 325 | 350 |
| 120 | 674 | 678 | 682 | 686 |
| 130 | 684 | 688 | 692 | 696 |
| 140 | 694 | 698 | 702 | 706 |
| 150 | 704 | 708 | 712 | 716 |
| 160 | 714 | 718 | 722 | 726 |
| 170 | 724 | 728 | 732 | 736 |
| 180 | 734 | 738 | 742 | 746 |
| 190 | 744 | 748 | 752 | 756 |

Note: Combinations in light gray exceed the UCI reach limits.