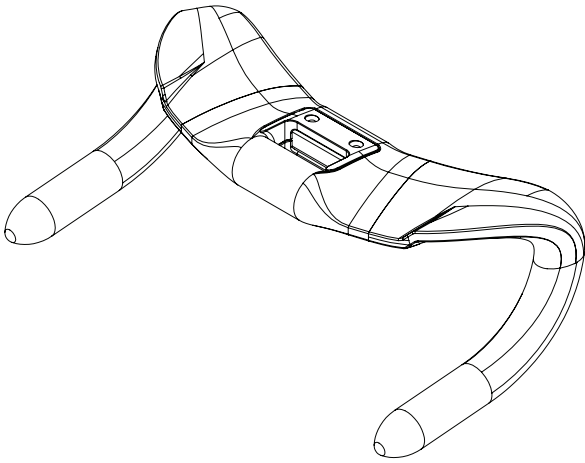


# Velobike

## Altias Sprint Handlebar



This document relates to the following Handlebars:

- SKU: VB-H-ALTIAS-275
- SKU: VB-H-ALTIAS-300
- SKU: VB-H-ALTIAS-325
- SKU: VB-H-ALTIAS-350

### SPECIFICATIONS:

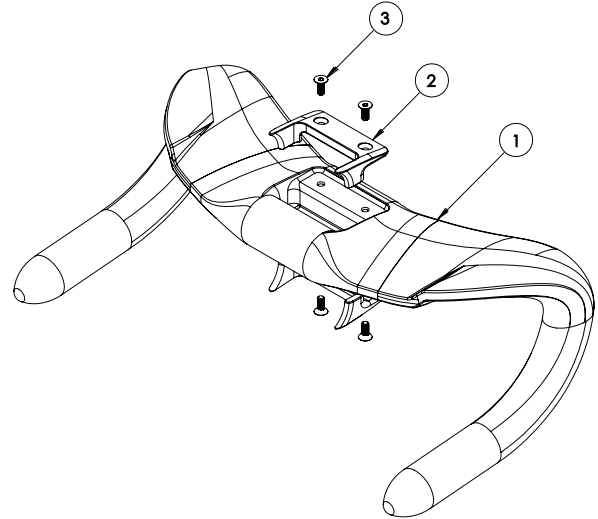
- UCI legal for the 2023 ruleset
- Designed and tested to exceed 2x ISO strength requirements
- Ceramic gloss finish
- Japanese Toray High Modulus Carbon Fiber
- 275mm, 300mm, 325mm and 350mm widths (center to center)
- 73mm drop (center to center)
- $\varnothing 27$ mm oversize grips
- $\varnothing 31.8$ mm stem clamping area
- 5° grip angle

### FEATURES:

- 4x bar widths
- Utilising the full 2023 UCI geometry regulations
- 2x ISO strength certified
- Highly ergonomic grip design fostering multiple grip positions
- Balance between aero optimisation and modularisation
- Aero trips around forearms
- Wind tunnel validated during the R&D process
- Integration with the Velobike Argon18 direct mount stems (with more stem integrations planned for the future)
- Integrated bar end aero
- New Zealand FernMark Licensed

### ALTIAS SPRINT HANDLEBAR ASSEMBLY:

Item No.	Description	Quantity
1	Altias Sprint Handlebar	1
2	Altias Faceplate Pocket Cover	2
3	M4x8mm Countersunk Screw	4



### TORQUE SPECIFICATIONS:

#### Stem Clamp

- 5Nm (maximum) on faceplate screws.
- Refer to stem clamping specification and tighten to the lowest value.

#### Faceplate Pocket Cover Screws (Item No. 3)

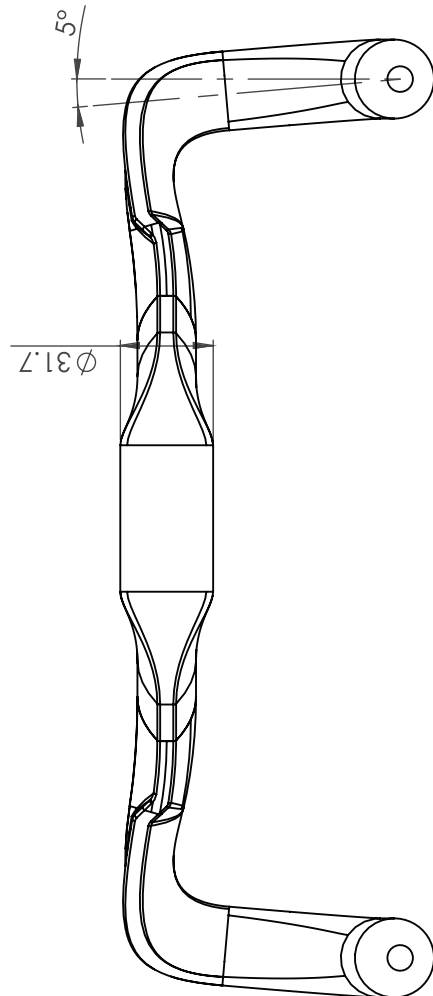
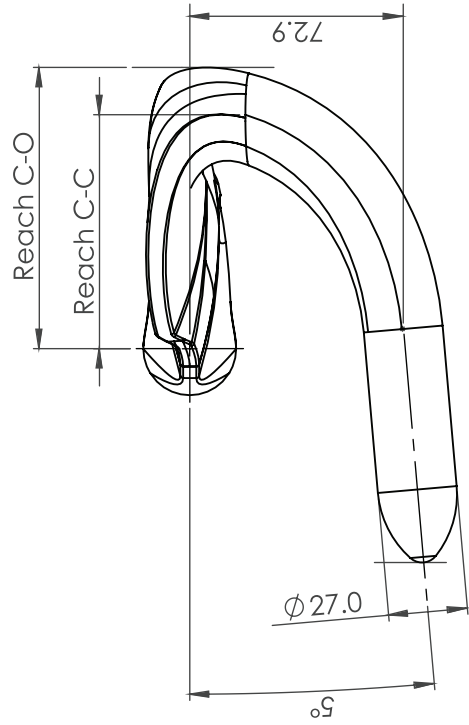
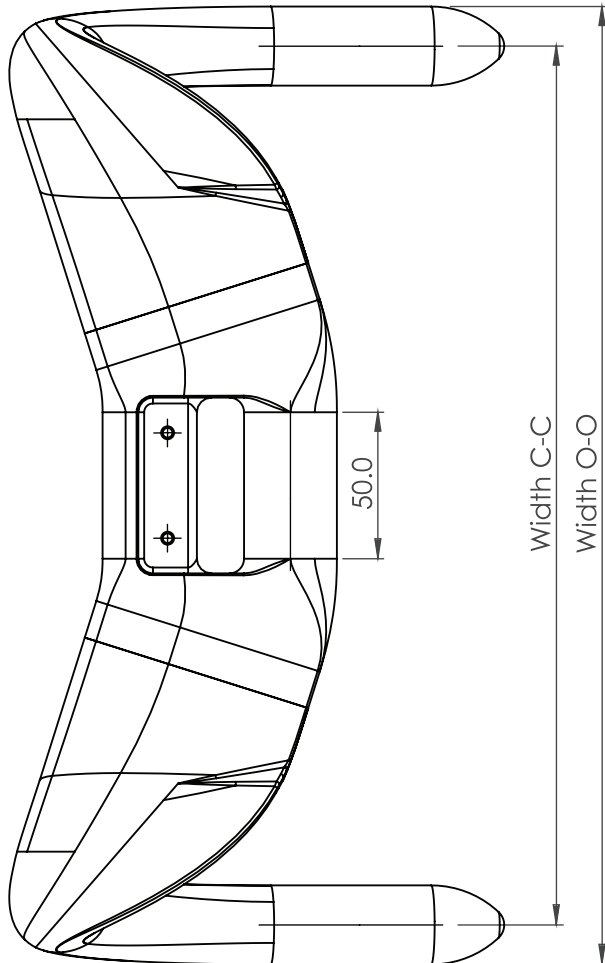
- 1.5 Nm (maximum)

# Velobike

## Altias Sprint Handlebar

Width C-C	Width O-O	Reach C-C	Reach C-O
275mm	302mm	76mm	92mm
300mm	327mm	80mm	96mm
325mm	352mm	84mm	100mm
350mm	372mm	88mm	104mm

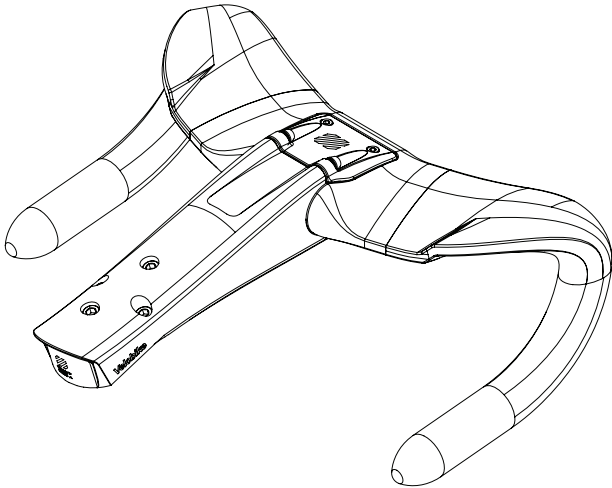
300mm Width Altias Sprint Handlebars Illustrated



# Velobike

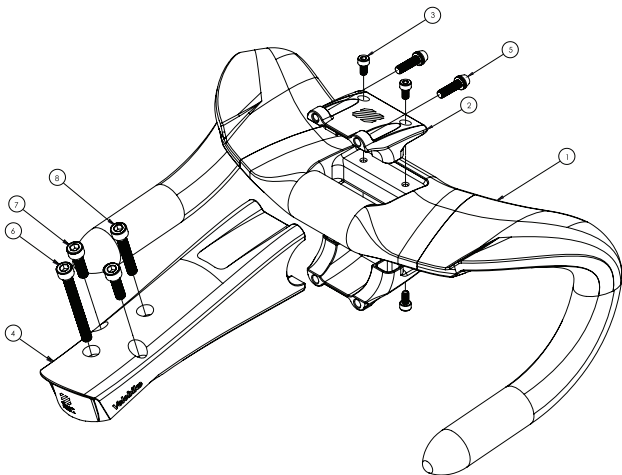
## Altias Sprint Handlebar

### ALTIAS SPRINT HANDLEBAR & ARGON18 ALTIAS STEM INTEGRATION:



Although the Altias Sprint Handlebars are designed for use with any generic 31.8mm clamp stem, However for a further optimised system, they were also developed in conjunction with the Velobike Altias Argon18 Stems to work for greater aero optimisation and stiffness.

Custom Altias Integrated faceplates fit to the handlebars for increased interface stiffness and aerodynamic optimisation.



Item No.	Description	Quantity
1	Altias Sprint Handlebar	1
2	Altias Integrated Faceplate	2
3	M4x8mm Socket Head Screw	4
4	Altias Stem — Argon18*	1
5	Altias Stem — Faceplate Screws*	4
6	Stem Bolt Rear*	1
7	Stem Bolt Middle*	2
8	Stem Bolt Front*	1

\* Refer to the Velobike Altias Argon18 Stem User Manual for stem specifications. Visit [www.velobike.co.nz](http://www.velobike.co.nz) for more information,

### TORQUE SPECIFICATIONS:

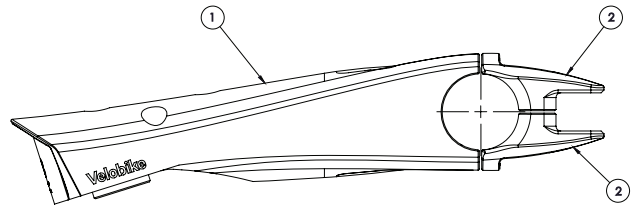
#### Stem Clamp Screws (Item No. 5)

- 5Nm (maximum)

#### Faceplate Pocket Screws (Item No. 3)

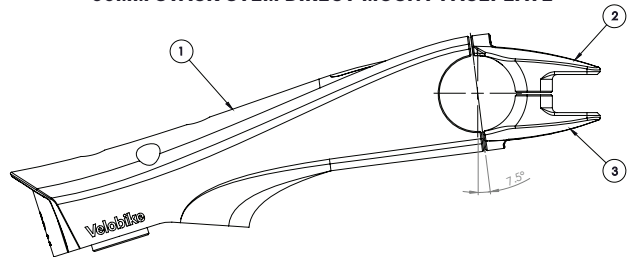
- 3Nm (maximum)

### 30MM STACK STEM INTEGRATED FACEPLATE



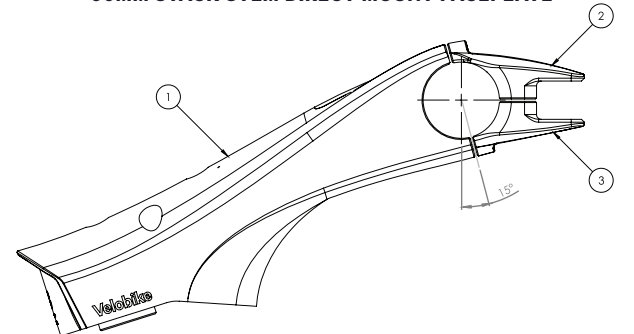
Item No.	Description	Quantity
1	Altias Stem — Argon18 (30mm Stack)*	1
2	Altias Integrated Faceplate 0°	2

### 60MM STACK STEM DIRECT MOUNT FACEPLATE



Item No.	Description	Quantity
1	Altias Stem — Argon18 (60mm Stack)*	1
2	Altias Integrated Faceplate 7.5° Pt.1	1
3	Altias Integrated Faceplate 7.5° Pt.2	1

### 90MM STACK STEM DIRECT MOUNT FACEPLATE

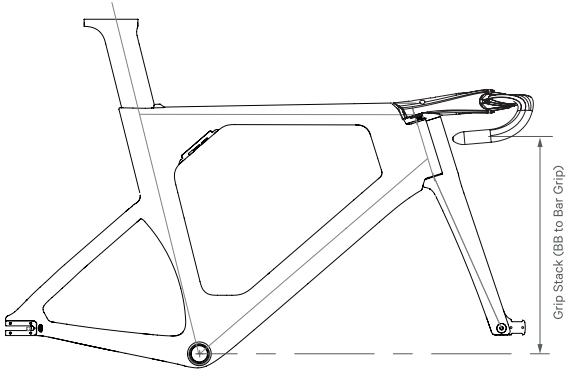


Item No.	Description	Quantity
1	Altias Stem — Argon18 (90mm Stack)*	1
2	Altias Integrated Faceplate 15° Pt.1	1
3	Altias Integrated Faceplate 15° Pt.2	1

# Velobike

## Altias Sprint Handlebar

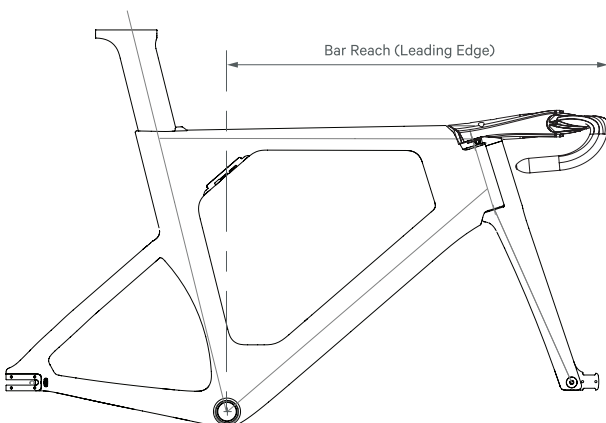
### ARGON 18 ELECTRON PRO TKO ALTIAS SPRINT HANDLEBAR & ALTIAS ARGON18 STEM GRIP STACK:



Stem Stack (mm)	Argon18 Electron Pro RIO & TKO			
	XS	S	M	L
30	400	439	454	469
60	430	469	484	499
90	460	499	514	529

### ARGON 18 ELECTRON PRO TKO ALTIAS SPRINT HANDLEBAR & ALTIAS ARGON18 STEM INTEGRATION GEOMETRY:

Below are the geometry tables for the total handlebar reach from the full intergrated system. Each table represents a different size TKO frameset, whereby each stem length and handlebar size's reach is noted. Stem stack does not effect the total reach.



Stem Length (mm)	Argon18 Electron Pro TKO		Size: XS	
	Altias Sprint Handlebar Size (mm)			
	275	300	325	350
120	615	619	623	627
130	625	629	633	637
140	635	639	643	647
150	645	649	653	657
160	655	659	663	667
170	665	669	673	677
180	675	679	683	687
190	685	689	693	697

Stem Length (mm)	Argon18 Electron Pro TKO		Size: S	
	Altias Sprint Handlebar Size (mm)			
	275	300	325	350
120	630	634	638	642
130	640	644	648	652
140	650	654	658	662
150	660	664	668	672
160	670	674	678	682
170	680	684	688	692
180	690	694	698	702
190	700	704	708	712

Stem Length (mm)	Argon18 Electron Pro TKO		Size: M	
	Altias Sprint Handlebar Size (mm)			
	275	300	325	350
120	650	654	658	662
130	660	664	668	672
140	670	674	678	682
150	680	684	688	692
160	690	694	698	702
170	700	704	708	712
180	710	714	718	722
190	720	724	728	732

Stem Length (mm)	Argon18 Electron Pro TKO		Size: L	
	Altias Sprint Handlebar Size (mm)			
	275	300	325	350
120	674	678	682	686
130	684	688	692	696
140	694	698	702	706
150	704	708	712	716
160	714	718	722	726
170	724	728	732	736
180	734	738	742	746
190	744	748	752	756

Note: Combinations in light gray exceed the UCI reach limits.