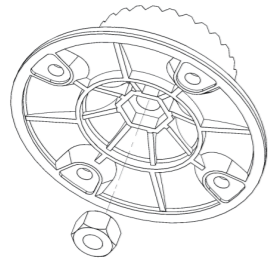


Please note: in order to install this bracket, you will need access inside your kayak to be able to tighten the bracket screws that will go through the surface of the kayak. Consider where you wish to attach the bracket with this in mind and also for ease of use when using the kayak itself and access operating the motor.

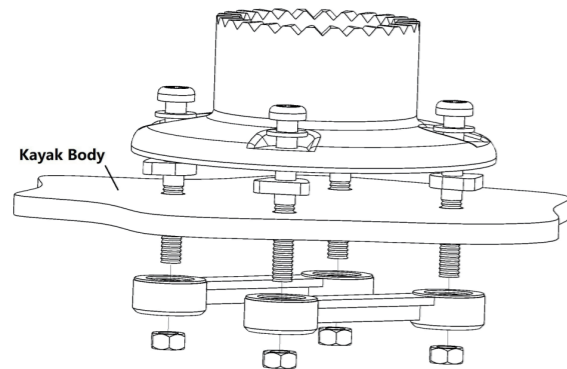
Step 1

Ensure the central nut is fitted firmly inside of the pocket underneath the base.



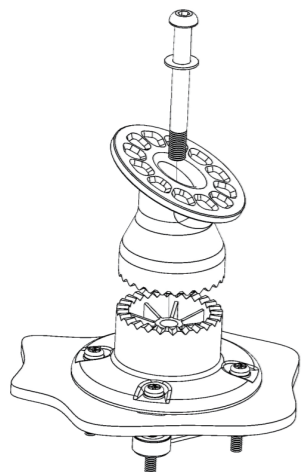
Step 2

Place the base on your kayak where you wish to position the bracket and mark pilot holes. Carefully drill pilot hole. Attach bracket base to your kayak using the bolts, washers and nuts provided. Remember to put the base cushions between the kayak body and the base of the bracket as shown below.



Step 3

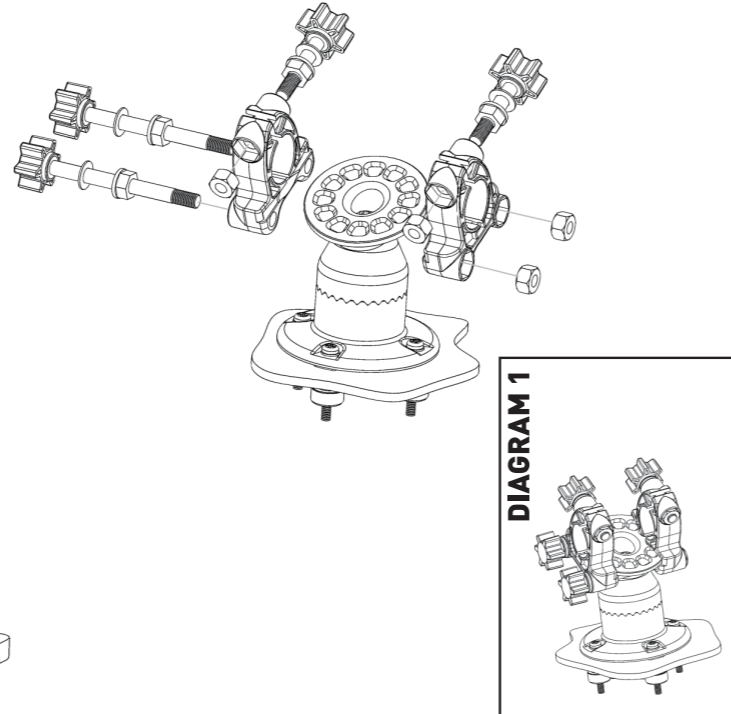
Place the inclined plate on the base as shown and screw the provided bolt into place. Do not fully tighten the bolt at this stage just tighten it enough to hold the parts in place.



Please Note: Jarvis Marine Investments or affiliated companies accepts no liability for injury or damage caused while drilling/mounting this bracket. Please wear appropriate protective clothing and eyewear/ face shield.

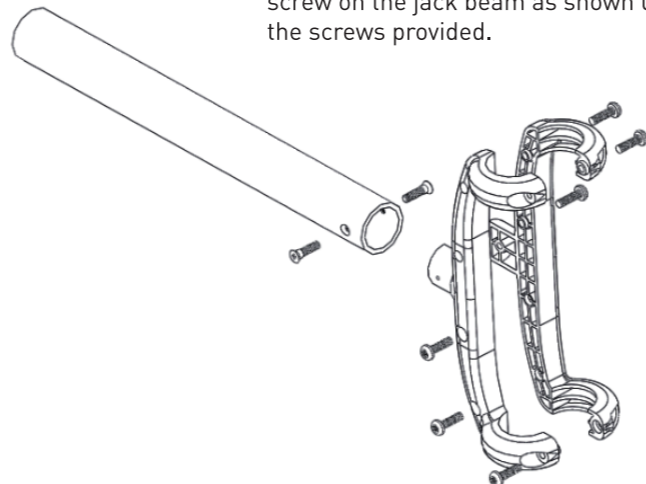
Step 4

Assemble the two swivel clamps as shown. Do not tighten the bolts completely at this stage but tighten them enough to hold the parts in place. Once assembled, your unit should resemble the inset Diagram 1 below.



Step 5

Screw together the Jack body and then screw on the jack beam as shown using the screws provided.



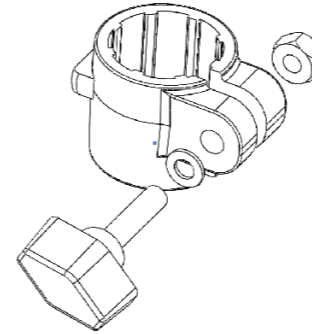
WATERSNAKE

KAYAK MOTOR BRACKET MK II

SETUP GUIDE

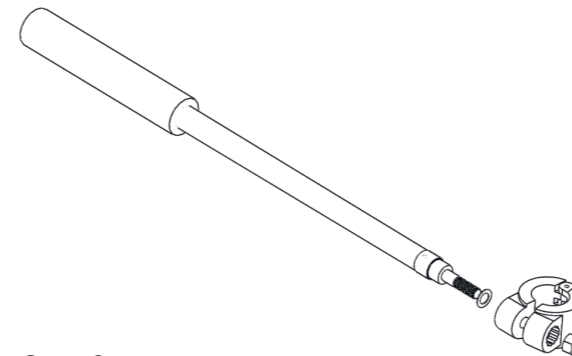
Step 6

Assemble the steer locker body as shown.



Step 7

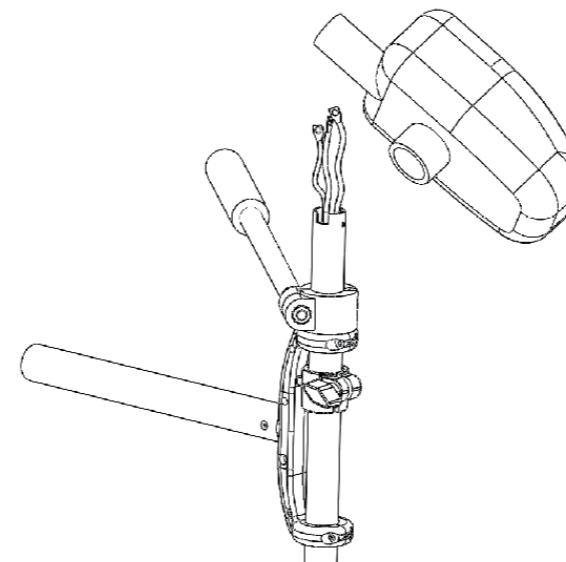
Assemble the depth adjustment clamp and the steer handle as shown.



Step 8

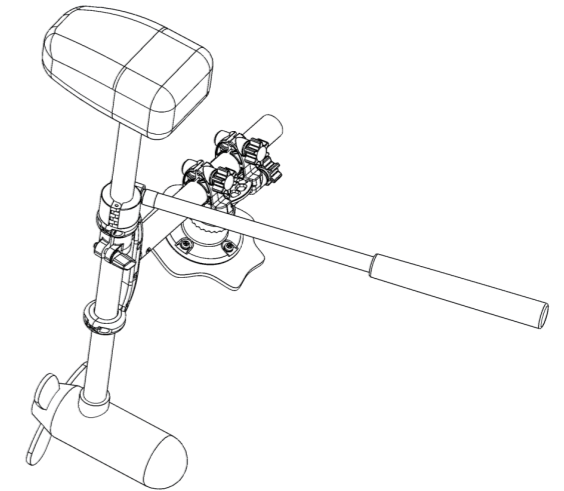
Remove the motor unit's head, but make sure you note the wiring connections before disconnecting, or take a photo as you will need to reconnect these wires back. Then remove the existing motor bracket. Once you have just the shaft with wires poking from the top, slide on the jack body, steer locker body, and depth adjustment clamp onto the motor shaft.

(See wiring diagram or scan the QR code for video instructions on how to do this.)



Step 9

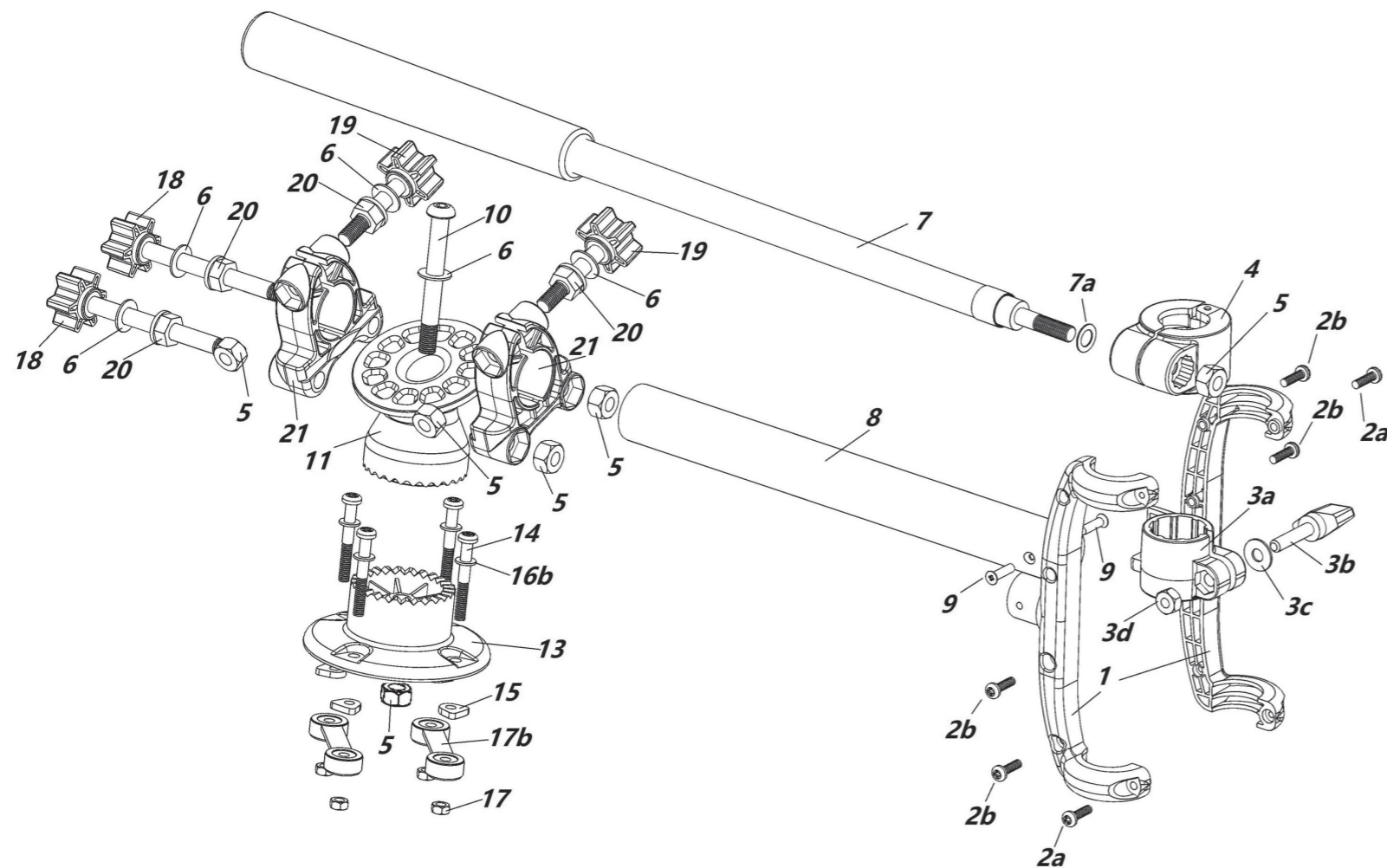
Re-attach the motor head and tighten all screws on the bracket.



Scan this QR Code to watch a video about this bracket with instructions on how to assemble and install it on your kayak.



To watch this video you can also visit:
www.jarviswalker.com.au/watersnake-kayak-motor-braket-series-2.html



Parts List:

Item	Part Number	Description	QTY
1	KB001	JACK BODY	2
2a	KB002a	JACK BODY SCREW M4x14	2
2b	KB002b	JACK BODY SCREW M4x17	4
3a	KB003a	STEER LOCKER BODY	1
3b	KB003b	STEER LOCKER SCREW	1
3c	KB003c	STEER LOCKER WASHER	1
3d	KB003d	STEER LOCKER NUT	1
4	KB004	DEPTH ADJUSTER CLAMP ASSY	1
5	KB005	GB M8 NUT	6
6	KB006	GB M8 WASHER	5
7	KB007	STEER HANDLE ASSY	1
7a	KB007a	STEER HANDLE WASHER	1
8	KB008	JACK BEAM	1
9	KB009	JACK BEAM SCREW	2
10 new	KB010	GB M8 x 70 BOLT	1
11 new	KB011	INCLINED PLATE	1
13 new	KB013	BASE	1
14	KB014	GB M5 x 40 SCREW	4
15	KB015	BASE CUSHION	4
16b	KB016b	GB M5 WASHER	4
17	KB017	GB M5 NUT	4
17b new	KB017b	GB M5 NUT RETAINER	2
18	KB018	M8 x 90 SCREW	2
19	KB019	M8 x 45 SCREW	2
20	KB020	M8 SPACER	4
21	KB021	SWIVEL CLAMP	2

THE BELOW INFORMATION IS FOR THE USA ONLY.

Watersnake Limited One Year Warranty (USA)

All watersnake products are covered by a one year Limited Warranty covering faults in workmanship and materials from the date of original retail purchase. The purchaser should return the defective product postage prepaid, insured, with proof of purchase (a dated sales receipt) and the reason for return to the address below:

Innovative Procurement
124, Opportunity Rd, Camdenton,
MO 65020, United States
PH: +1 573-346-7447

Online Store for spare parts and accessories: watersnakeusa.com

Note: Residents of Hawaii, Alaska, and U.S. territories shall be billed for return shipping via registered priority mail. Watersnake will repair or replace the product at its option and return direct to purchaser.

Terms

This Limited Warranty does not cover Watersnake products damaged due to abuse, misuse, normal wear, or excessive wear caused by neglect of cleaning and lubrication required or general service requirements due to owner's failure to provide reasonable and necessary maintenance.

This Warranty does not extend to products which are put into commercial use. Commercial use is defined as any work or employment related use of the product which generates income.

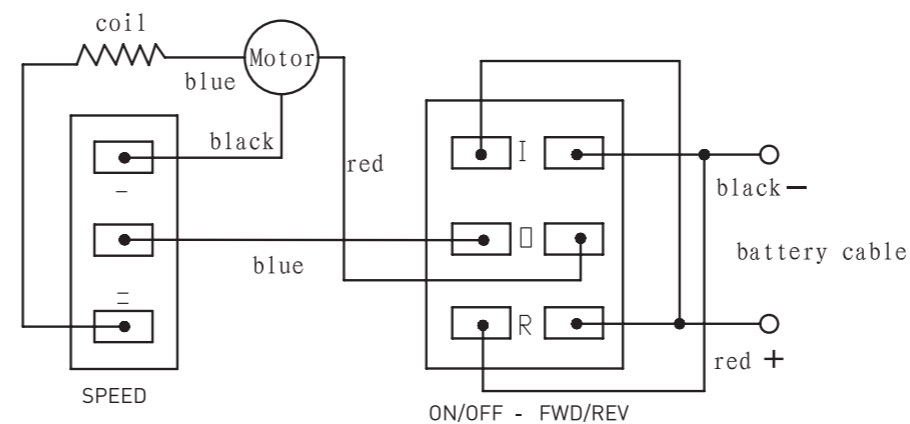
Watersnake products not covered by this Limited Warranty may be repaired at a nominal charge to the purchaser, provided parts are available and the product is returned with return postage prepaid.

The warranties described herein shall be the sole and exclusive warranties granted by Watersnake and shall be the sole and exclusive remedy available to the purchaser. Correction of defects, in the manner and time period described herein, shall constitute complete fulfillment of all liabilities and responsibilities of Watersnake to the purchaser with regard to this product, and shall constitute full satisfaction of all claims, whether based on contract, negligence, strict liability or otherwise. Watersnake shall not be liable or in any way responsible for any damages or defects caused by repairs or attempted repairs performed by anyone other than a Watersnake authorised service agent. Watersnake reserves the right to amend or change this Limited Warranty at any time. This Limited Warranty is non-transferable. The provisions of this Limited Warranty are in addition to, and not a modification of, or a subtraction from, the statutory warranties and other rights and remedies contained in any applicable legislation. To the extent that any provision of this Limited Warranty is inconsistent with any applicable law, such provision shall be deemed voided or amended as necessary, to comply with such law.

"ALL INCIDENTAL AND/OR CONSEQUENTIAL DAMAGES ARE EXCLUDED FROM THIS WARRANTY INSERT. IMPLIED WARRANTIES ARE LIMITED TO THE LIFE OF THIS WARRANTY. SOME STATES DO NOT ALLOW LIMITATIONS ON HOW LONG AN IMPLIED WARRANTY LASTS OR THE EXCLUSION OR LIMITATION OF THE INCIDENTAL OR CONSEQUENTIAL DAMAGES, SO THE ABOVE LIMITATIONS OR EXCLUSIONS MAY NOT APPLY TO YOU. THIS WARRANTY GIVES YOU SPECIFIC LEGAL RIGHTS, AND YOU MAY ALSO HAVE OTHER LEGAL RIGHTS THAT MAY VARY FROM STATE TO STATE."

Watersnake ASP Wiring Diagram

Please Note:
 If you use a motor other than the watersnake Asp disregard this diagram.



T18-SW, T24-SW, T24-FW