



Automotive Electronic Design

M357 TV3

User Manual



SECURITY

SIMPLIFIED EU DECLARATION OF CONFORMITY

Hereby, Meta System S.p.A. declares that Remote control type Mykro is in compliance with Radio Equipment Directive 2014/53/EU.

Frequency Bands in which the radio equipment operates:

433.05 MHz – 434.79 MHz <10mW e.i.r.p.

The full text of the EU Declaration of Conformity is available at the following internet address: <https://docs.metasystem.it/>

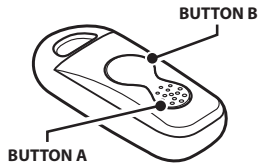
Certificate Holder's Address:

Meta System S.p.A. - Via Galimberti 5, 42124 Reggio Emilia (Italy)

Designed, engineered and manufactured in Italy by
Meta System S.p.A. - Via T. Galimberti 5, 42124 - Reggio nell'Emilia (Italy)



www.metasystem.it



Alarm STATUS	LED	DIRECTION INDICATORS	SIREN
Arming by remote control Button A	Slow flashing	2 Flashes	2 BEEP
Arming without tilt sensor, A then B	Slow flashing	Flashes 2 + 1	2 BEEP + 1 BEEP
Arming with panel open	Slow flashing	2 Flashes	2 BEEP + 1 BOOP
Initial immunity phase	Fast flashing		
Testing during the initial immunity phase	Fast flashing		1 BEEP with each trigger
Alarm armed	Slow flashing		
Alarm Triggered	Switches off	Flashing	Sounds
Disarming by remote control Button A	Switches off	1 Flash	1 BEEP
Disarming when the motorcycle's battery is flat	Switches off		4 BEEP
Disarming when alarm triggers have been memorised	Switches off briefly every 6 sec.		1 BEEP + 1 BOOP
Pre-alarm phase	Switches off		5 BEEP
Service Mode	Flashing very fast with ignition key ON		

2. PASSIVE ARMING of IMMOBILISER

The immobiliser arms automatically 50 seconds after ignition OFF, signalled by a short flash of the direction indicators and a slow flashing of the LED.

3. Alarm Memory

The LED will signal the trigger cause. If various alarms have been triggered, the memory will signal them in a sequence with 3 seconds pauses and will repeat the sequence every 6 seconds. The memory is reset when the ignition is switch ON or the alarm system is armed with the remote control again.

MEMORISED ALARMS	LED SIGNALS
Internal movement sensor	1 Flash
Contacts	2 Flashes
Ignition key sensing	3 Flashes
Tampering with cables or battery	4 Flashes

4. PROTECTION

The alarm protects the motorcycle against being started and an alarm cycle will be triggered every time:

- The ignition key is turned ON
- An attempt is made to remove a protected panel (for example if the seat or the storage compartment is opened...)
- The motorcycle is moved
- The alarm power supply is disconnected

5. PANIC Function

It is possible to trigger a 10 second alarm cycle by pressing the B button on the remote control. This alarm cycle can be interrupted by pressing the same button again.

6. SERVICE MODE

To enable the SERVICE MODE turn ON the ignition and immediately after press hold the A button of remote control for at least 6 secs; confirmation of mode ON is indicated by the LED flashing quickly when the ignition ON.

To disable the SERVICE MODE turn ON the motorcycle's key and immediately after press hold the A button of remote control at least 6 secs; confirmation of mode ON is indicated by the LED being off when the ignition ON.

7. DEEP SLEEP MODE

Deep Sleep Mode is activated 5 days after the system was armed. The alarm protection remains active but the remote receiver is switched off.

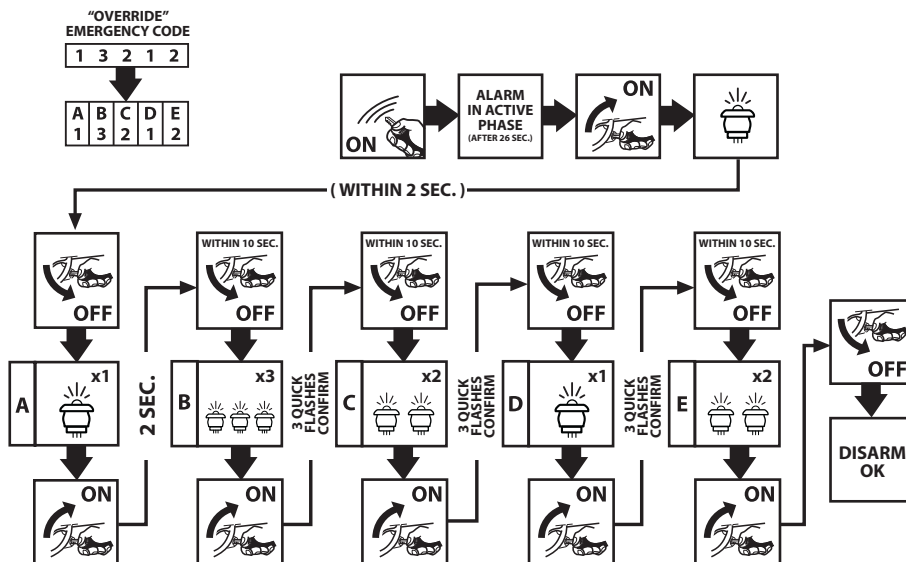
To exit from **DEEP SLEEP MODE**, turn the ignition key ON: the siren will emit a series of *BEEP* sounds. Press the remote control within 20 seconds of the *BEEPS* to disarm the alarm system. If the remote control is not pressed within 20 seconds, an alarm cycle will be triggered.

8. 'OVERRIDE' EMERGENCY CODE

If a remote control is lost, stolen or damaged, it is possible to disarm the alarm system with a 5 digit emergency code.

Perform the following procedure.

Switched the ignition ON then OFF; the LED will turn ON, turn OFF and then start to flash after 2 seconds.



9. SPECIFICATIONS

Power supply	12Vcc (10V-15V)
Consumption	1,0 mA
Consumption in DEEP SLEEP MODE	0,3 mA
Operating temperature	- 25°C + 85°C
Sound level of siren	114 dB
Self-supply autonomy	5 minutes
Remote controls	72 million billion variable codes (lithium battery)
Sensitivity of internal movement sensor	1,5° per second
Frequency of Mycro remote control	433.92 MHz

10. TIMINGS

Initial immunity phase	26 seconds
Duration of alarm cycle	26 seconds
Interval between alarm cycles/No	5 seconds/10
Passive arming delay	50 seconds
DEEP SLEEP MODE delay	5 days
Frequency of direction indicators	0,4 sec.Off/0,4 sec.On