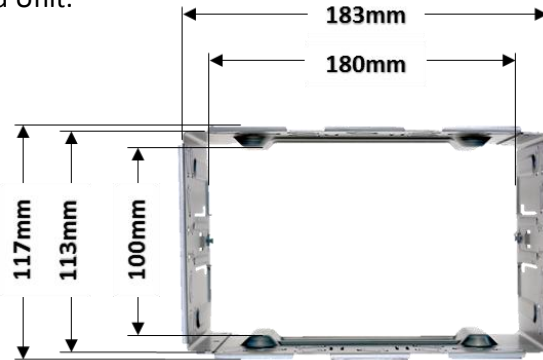


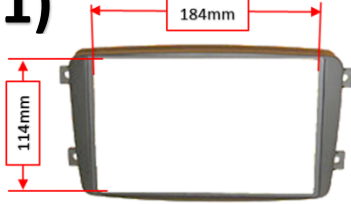
Fascia Fitting Guide

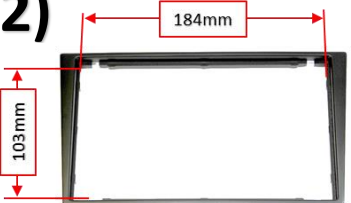
When fitting a new Head Unit, there are a number of ways in which to do this.

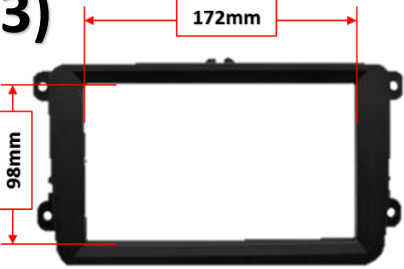
If the Head Unit purchased is a Pioneer, Sony, JVC, Alpine or any Japanese brand it will normally come with a fitting cage that is used to install the Head Unit.



However, the vehicle in which this is being fitted will dictate the Fascia used to house the head unit. Once the Fascia has been chosen, the dimensions of this Fascia will determine how the Head Unit is fitted in the vehicle. This could be one of three options:

1)  → If the Fascia being fitted has the internal diameters **184mm x 114mm** (show left). Then the Cage supplied with the Head Unit should be used. If the Head Unit does not have a cage supplied, fitting cage **51-013** can be used. **WE RECOMMEND THE DIMENSIONS ARE CHECKED MANUALLY TO BE SURE OF A CORRECT FITMENT.**

2)  → If the Fascia being fitted has the internal diameters **184mm x 103mm** (show left). Then the cage supplied with the Head Unit will be **too large**. The cage **51-012** will need to be purchased ensure an accurate fitment.

3)  → If the Fascia being fitted has the internal diameters **172mm x 98mm** (show left). Then a fitting cage will not be needed. This size of Fascia will be a 'side fit' or 'Flush fit' Fascia.

The side fit Fascia comes with two panels that secure the Head Unit to the Fascia (A and B). 