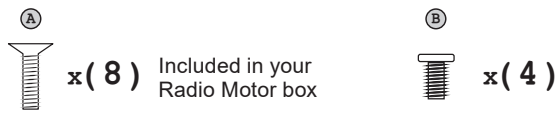


What's in the Box

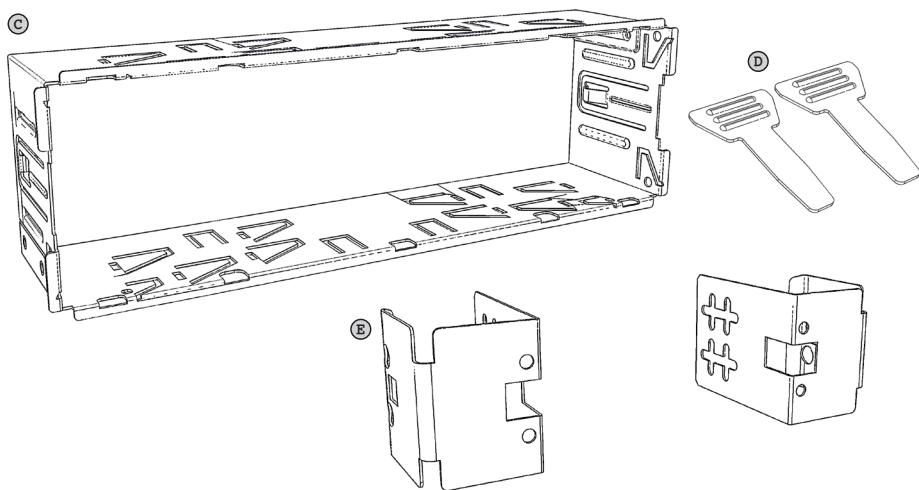
Grand Prix Radio Face



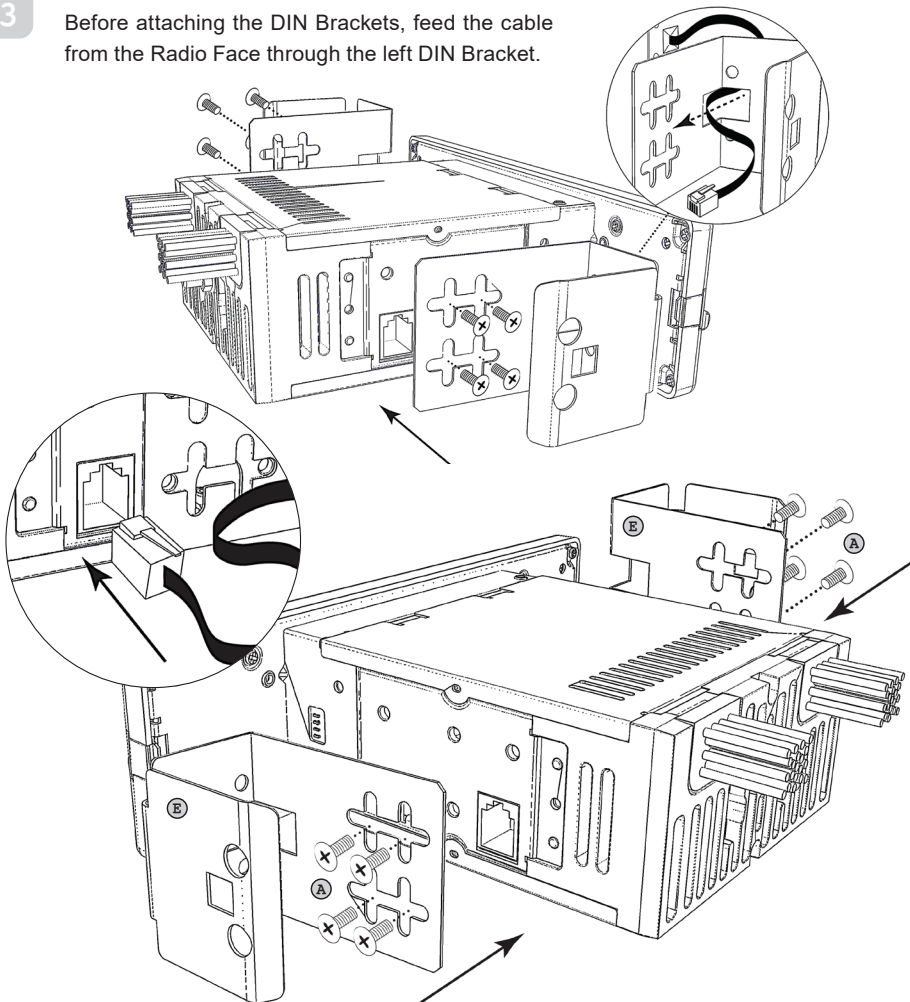
Hardware



DIN Brackets (Included with DIN Kit 296)



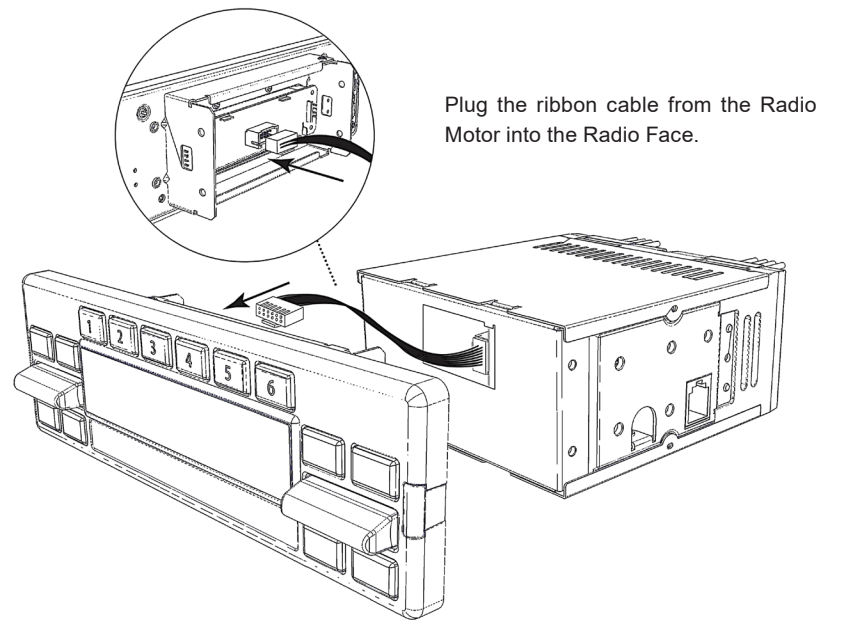
3 Before attaching the DIN Brackets, feed the cable from the Radio Face through the left DIN Bracket.



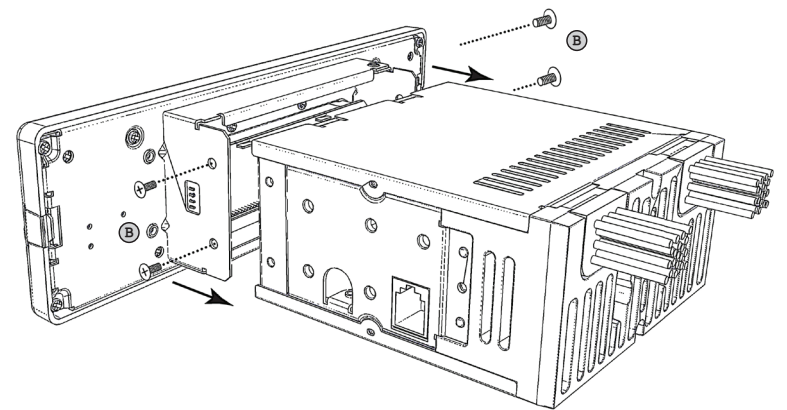
Using the 8 screws included in the Radio Motor box, install the DIN Brackets (included with the DIN Kit) to the sides of the Radio Motor. Adjust the brackets forward until they meet the back of the radio face. Be careful not to bend the brackets to ensure proper fitment into the DIN Sleeve. Plug the cable from the Radio Face into the Radio Motor.

Installation

1

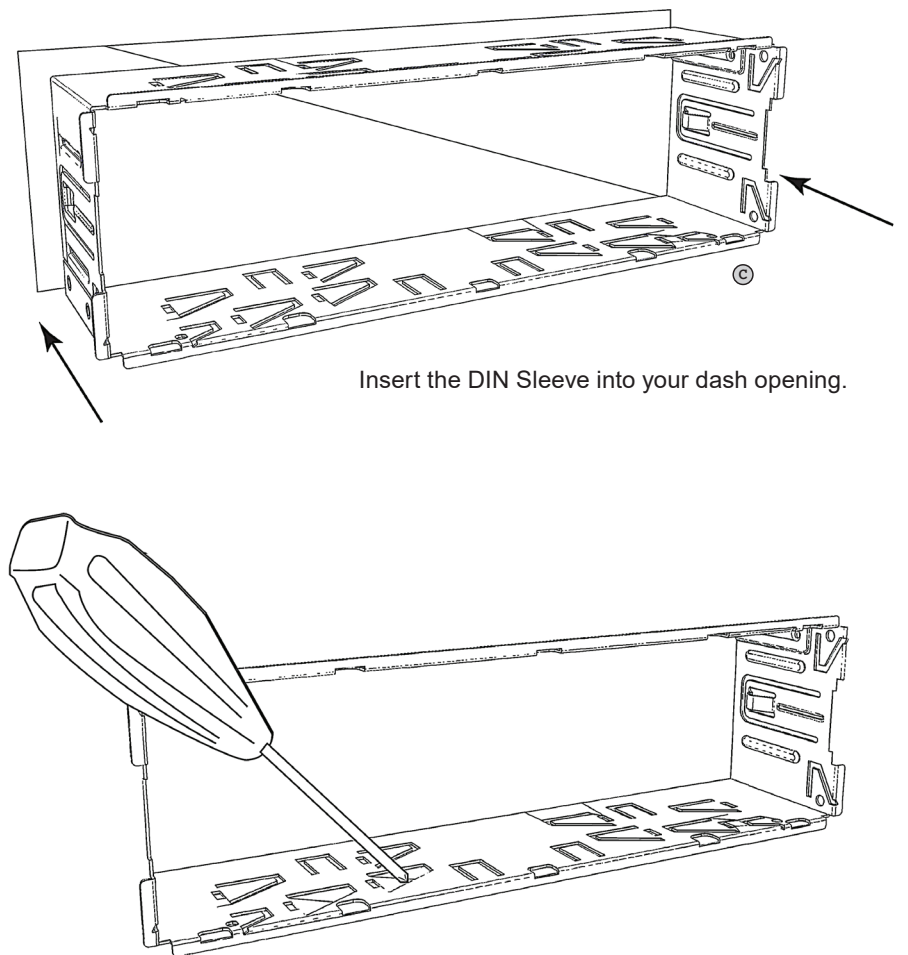


2



Attach the Radio Face to the Radio Motor with the four small screws (B).

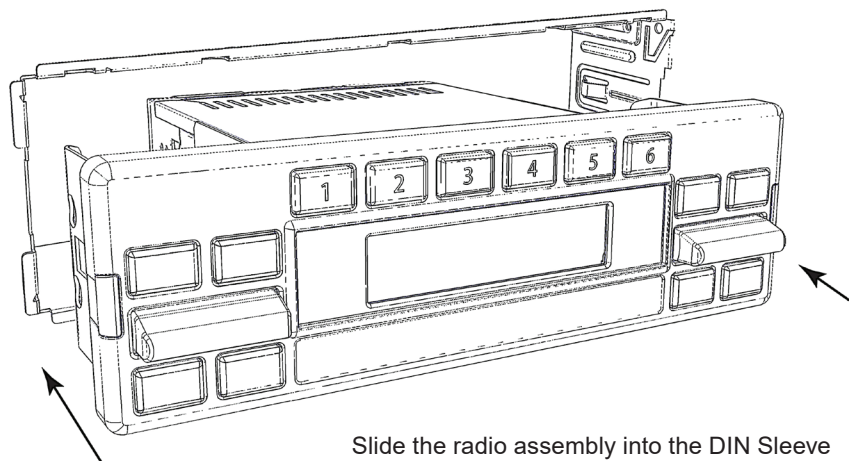
4



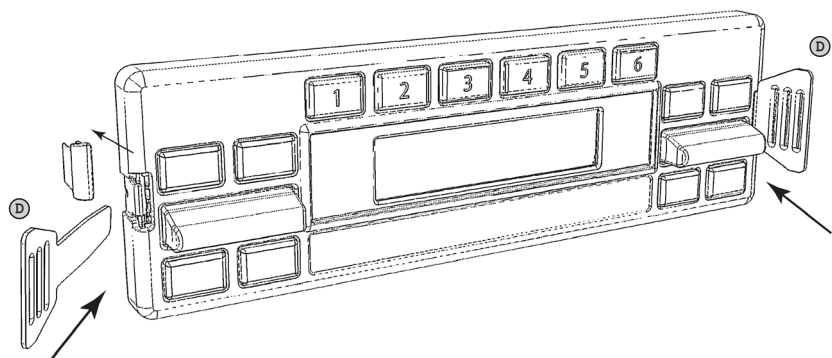
Insert the DIN Sleeve into your dash opening.

Using a screwdriver, push down the sleeve tabs on all four sides of the DIN Sleeve to secure it into the dash opening.

5



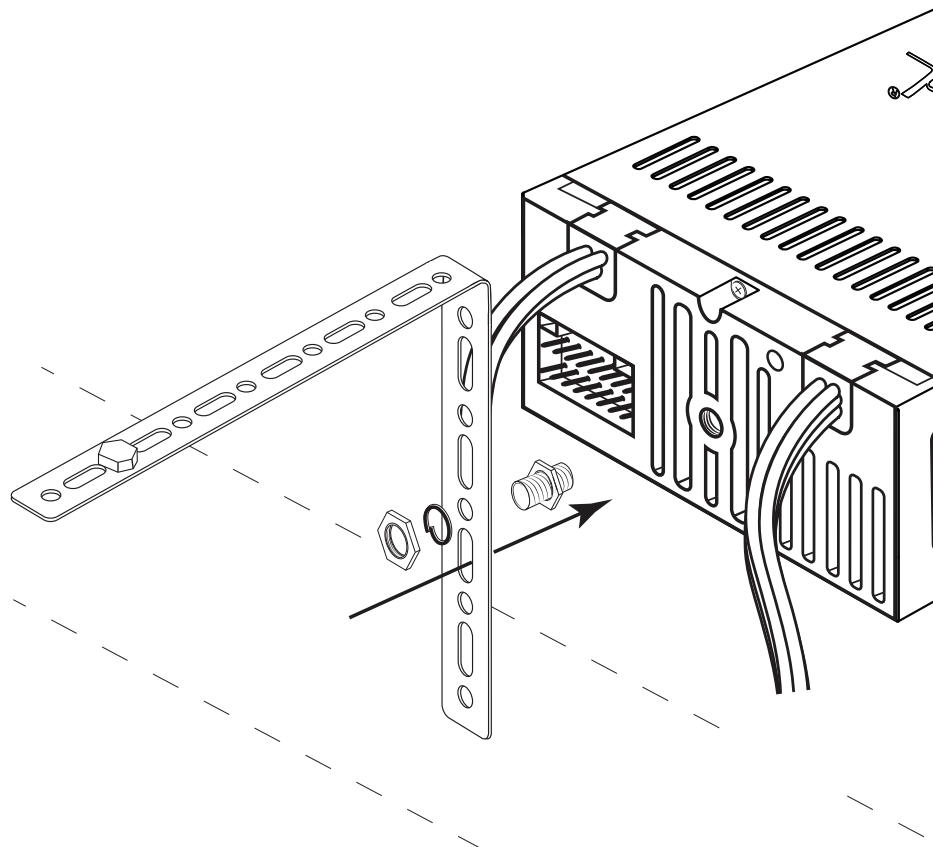
Slide the radio assembly into the DIN Sleeve until the unit clicks into place.



If adjustments are needed, use the included DIN Keys to remove the assembly from the DIN Sleeve.

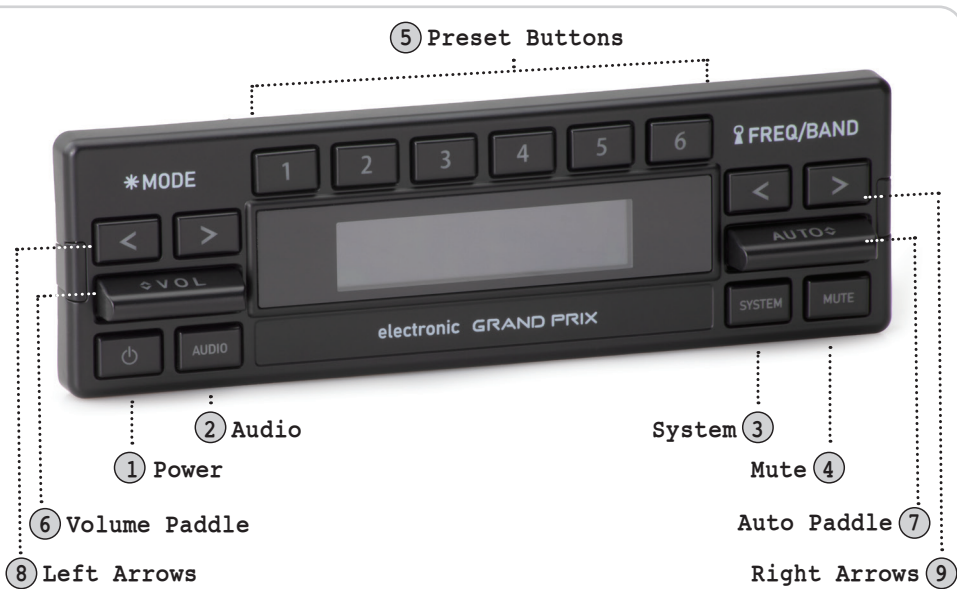
6

Once the Radio is mounted correctly, install the backstrap to the rear of the radio. Follow the installation instructions included with your Radio Motor.



IMPORTANT: ON FIRST POWER ON YOU MUST COMPLETE THE REQUIRED FIRST STEP BELOW.

Control Layout



REQUIRED FIRST STEP - GRAND PRIX MODE

The following steps must be performed to set up the Radio Motor to function with the Grand Prix Radio controls. With the vehicles ignition on and the time displayed on the Radio Face, press and hold the Power Button(1) for approximately 15 seconds to reboot the radio into SEL PANEL mode. Once **SEL PANEL** is displayed release the Power Button(1) and tap the Volume Paddle(6) up until **GRAND PRIX** is displayed on the screen. The Display will Flash **GRAND PRIX** 5 times and will turn off. Your Radio Motor is now configured to work with your selected face. Press the Power Button(1) to turn the Motor back on and continue with the setup process.

Radio Presets

Setting Radio Presets

To set a preset, tune to the station you want to set the preset to, and then press and hold the desired Preset Button(5) for three seconds.

Recalling Radio Presets

To recall a preset, simply press the Preset Button(5) your station was set to previously.

Basic Operation

Power On/Off

Press the Power Button(1) to power the unit on.
Press and hold the Power Button(1) to power the unit off.

Volume

Tap the Volume Paddle(6) up or down to change the Volume.

Changing Source Modes

Press the inner Left Arrow(8) to cycle through the source modes.

Changing Radio Bands

Press the outer Right Arrow(9) to cycle through the radio bands.

Tune

Tap the Auto Paddle(7) up or down to scroll through the stations.

Mute On/Off

Press the Mute Button(4) to mute and unmute.

Equalizer (EQ)

Press the Audio Button(2) to enter the Tone Control sub-menu. Press and release the Audio Button(2) until you see the EQ setting you'd like to adjust. Tap the Volume Paddle(6) up or down to adjust the setting and let the unit time out to set. Repeat to adjust each EQ setting.

Setting the Clock

Press and hold the System Button(3) for three seconds to enter the System Settings sub-menu. Tap the Auto Paddle(7) up or down until to cycle through the choices until you see **CLK**, then press the System Button(3) to select. Tap the Auto Paddle(7) up or down to adjust the hours, then press the System Button(3) again to move on to minutes. Tap the Auto Paddle(7) up or down to adjust the minutes, and let the unit time out to set.

Display Color*

Press and hold the System Button(3) for three seconds to enter the System Settings sub-menu. Tap the Auto Paddle(7) up or down to cycle through the choices until you see **SCAN**, then press and release the System button to cycle through the color presets. Let the unit time out to set.

Beep On/Off

Press and hold the System Button(3) for three seconds to enter the System Settings sub-menu. Tap the Auto Paddle(7) up or down to cycle through the choices until you see **BEEP ON/OFF**, then press the System Button(3) to choose between **BEEP ON** or **BEEP OFF**. Let the unit time out to set.

*Some features are not available on all radios.