

PARTS LIST

DU-1181N PARTS LIST

下記 URL (PARTS Website/PC サイト) より、便利な検索機能のついた Web Parts Book をご利用頂けます。
ご利用には会員登録が必要です。(無料)

<https://juki.aftama.com/JUKI/JA>

You can use a Web Parts Book with a convenient search function from the URLs (PARTS Website/PC-site)
below. To use the PARTS Website, free membership registration is required.

<https://juki.aftama.com/JUKI/EN>

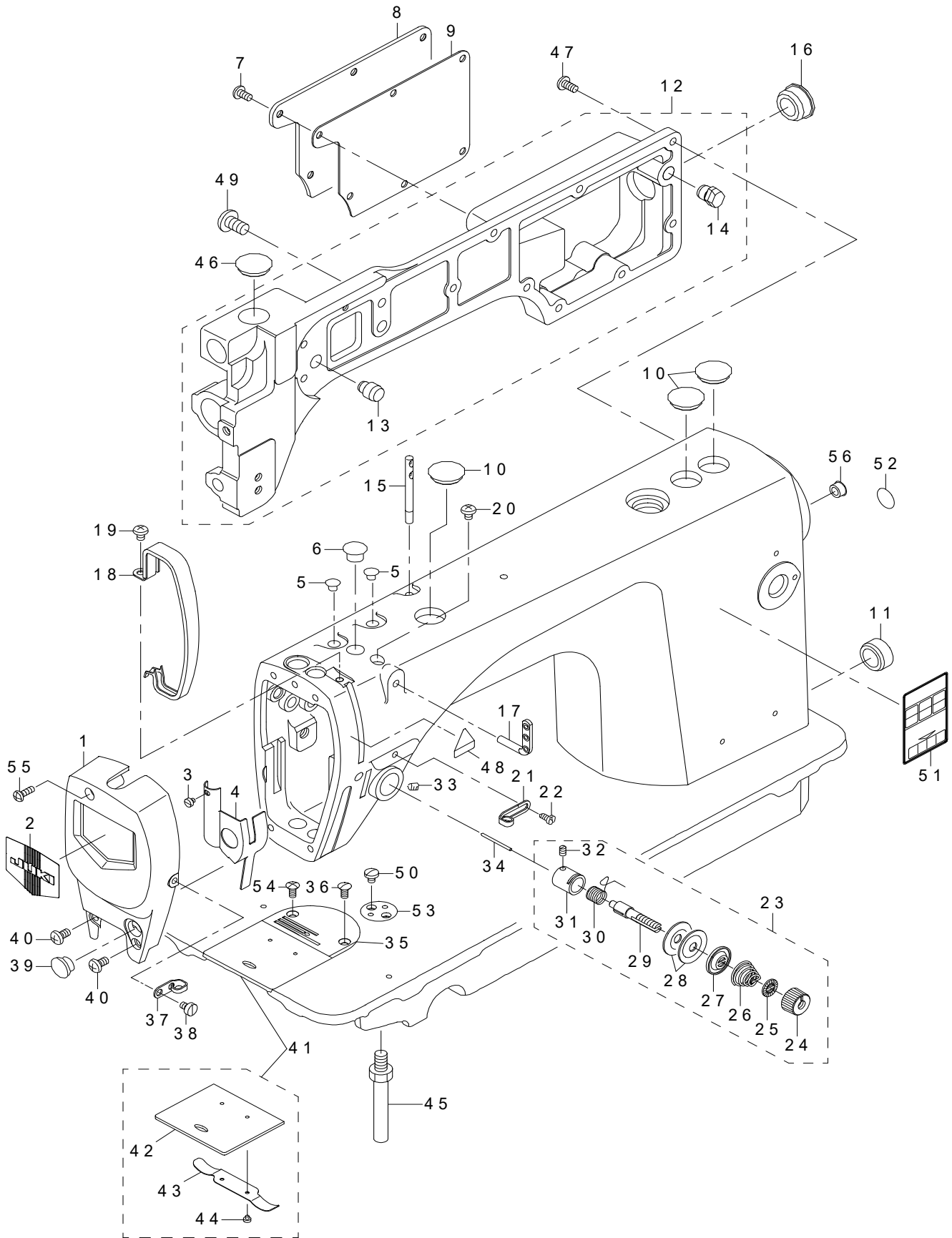
HOW TO MAKE USE OF THIS PARTS LIST

- 1.As to "#01" and "#02" refer to the "Note" given at the bottom of the respective pages.
- 2.Codes on the "Qty" column
 - Each numeral indicates the number of parts required.
 - "0.1" and "2.5" indicate the length (in meters) of the respective parts.
- 3.Parentheses mean that the corresponding part is a subpart that constructs an assembly part.
- 4.Dotted lines on the Figures indicate assembly parts.

CONTENTS

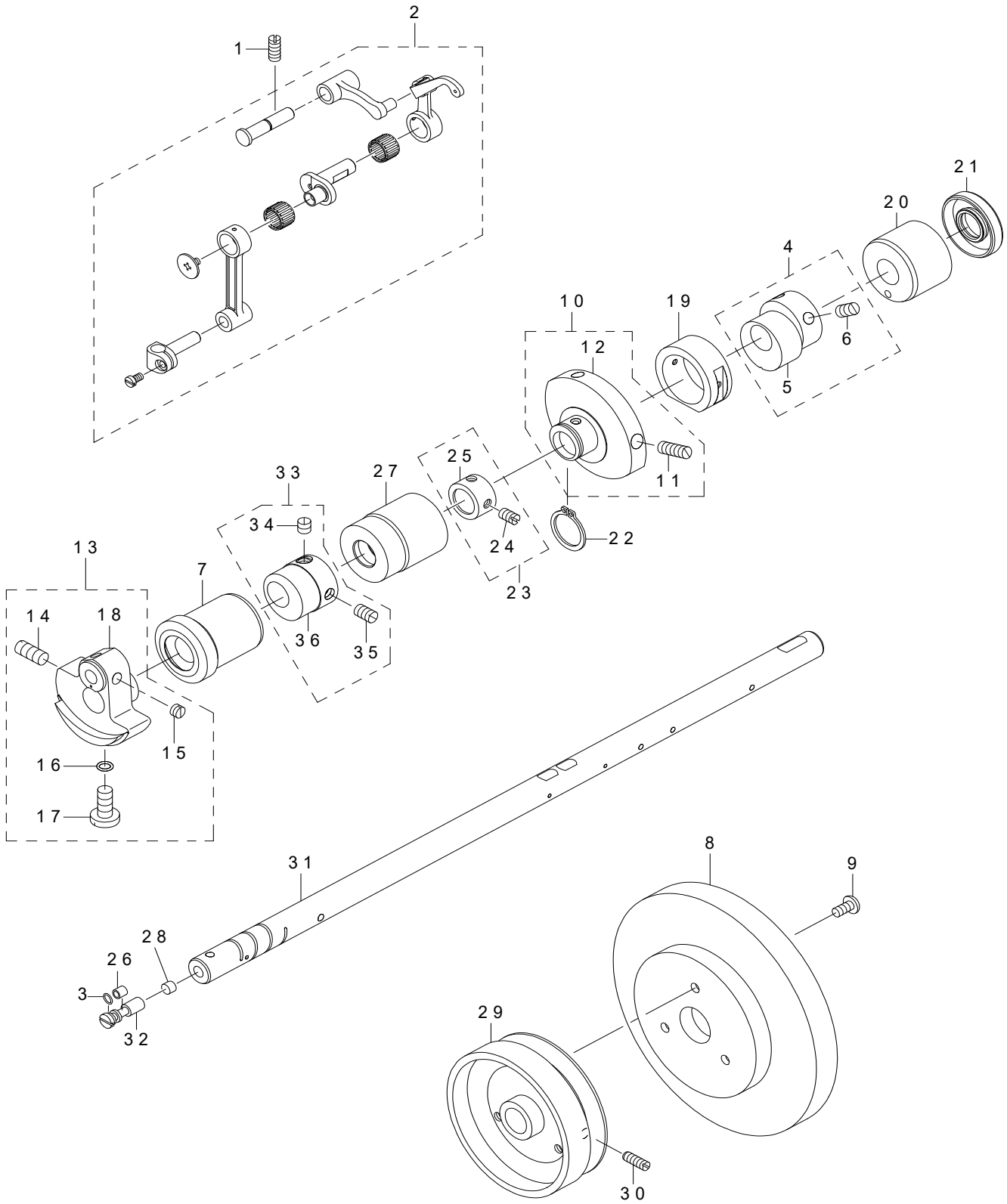
1. MACHINE FRAME & MISCELLANEOUS COVER COMPONENTS.....	1
2. MAIN SHAFT & THREAD TAKE-UP LEVER COMPONENTS	3
3. NEEDLE BAR, UPRIGHT SHAFT & HOOK DRIVING SHAFT COMPONENTS	5
4. HAND LIFTER COMPONENTS	7
5. FEED MECHANISM COMPONENTS	9
6. UPPER FEED MECHANISM COMPONENTS.....	11
7. OIL LUBRICATION COMPONENTS.....	13
8. OIL RESERVOIR COMPONENTS.....	15
9. BELT COVER & BOBBIN COMPONENTS.....	17
10. THREAD STAND COMPONENTS.....	19
NUMERICAL INDEX OF PARTS.....	20

1. MACHINE FRAME & MISCELLANEOUS COVER COMPONENTS



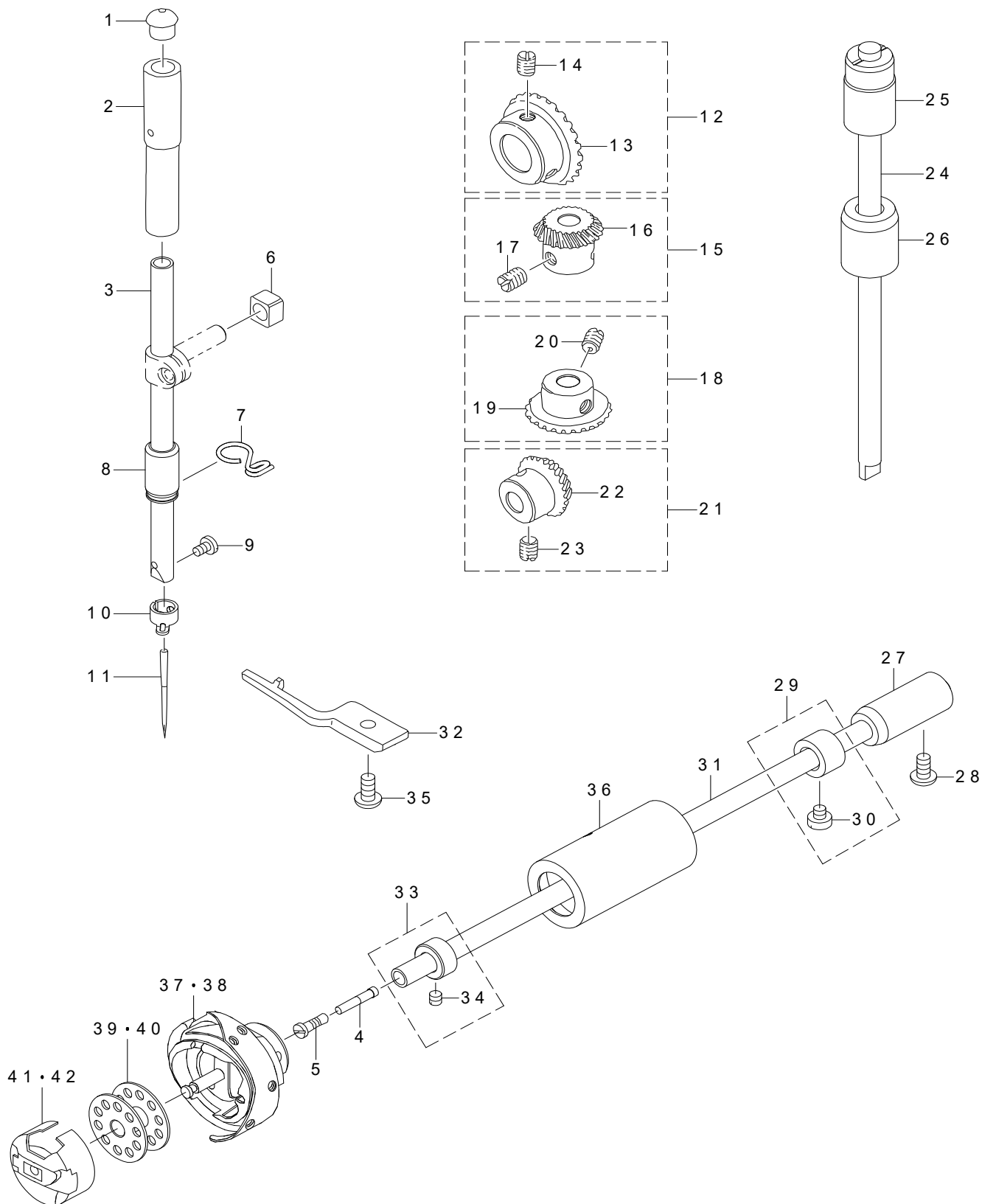
REF.NO	NOTE	PART NO	DESCRIPTION	Qty
1		400-22646	FACE PLATE	1
2		229-02506	FACE PLATE	1
3		SS-6080320-SP	SCREW 1/8-44 L=2.5	1
4		400-21790	FACE PLATE OIL SHIELD ASM.	1
5		TA-0850604-R0	RUBBER PLUG	2
6		TA-1250705-R0	RUBBER PLUG	1
7		SS-4120915-SP	SCREW 3/16-28 L=9	6
8		400-22647	WINDOW PLATE	1
9		400-21567	GASKET	1
10		TA-2050406-R0	RUBBER PLUG	3
11		TA-2101002-R0	RUBBER PLUG	1
12		400-21907	UPPER FEED BASE COMPL.	1
13		400-21592	PIN(A)	(1)
14		400-21593	PIN(B)	(1)
15		229-58300	NEEDLE THREAD GUIDE PIN	1
16		TA-2351004-R0	RUBBER PLUG	1
17		400-23295	THREE HOLE THREAD EYELET	1
18		114-15205	THREAD TAKE-UP LEVER COVER(JE)	1
19		SS-4120615-SP	SCREW 3/16-28 L=6	1
20		SS-4120615-SP	SCREW 3/16-28 L=6	1
21		236-26104	ARM THREAD GUIDE A	1
22		110-01500	SCREW	1
23		400-85722	THREAD TENSION ASM.	1
24		229-21308	THREAD TENSION NUT	(1)
25		229-21407	ROTATION STOPPER	(1)
26		400-85903	SPRING	(1)
27		229-21803	DISK STOPPER	(1)
28		229-21506	THREAD TENSION DISK	(2)
29		229-21209	THREAD TENSION POST	(1)
30		229-21605	THREAD TAKE-UP SPRING	(1)
31		229-45307	THREAD TENSION POST BASE	(1)
32		SS-8090670-SP	SCREW 9/64-40 L=5.5	(1)
33		SS-8150710-TP	SCREW 15/64-28 L=7	1
34		229-20904	PIN	1
35		400-21615	THROAT PLATE	1
36		SS-2110920-TP	SCREW 11/64-40 L=8.5	1
37		229-20607	ARM THREAD GUIDE B	1
38		SS-6110610-TP	SCREW 11/64-40 L=6	1
39		TA-1250406-R0	RUBBER PLUG D=12.5 L=4	1
40		SS-4121015-SP	SCREW 3/16-28 L=10	2
41		229-01250	SLIDE PLATE ASM.	1
42		229-01201	SLIDE PLATE	(1)
43		229-01300	SLIDE PLATE SPRING	(1)
44		SS-6060210-SP	SCREW 3/32-56 L=1.9	(2)
45		229-01003	BED SCREW STUD	4
46		TA-2050406-R0	RUBBER PLUG	1
47		SS-4121015-SP	SCREW 3/16-28 L=10	10
48		CM-3002000-01	ATTENTION SEAL 16	1
49		SS-4701415-SD	SCREW	1
50		SS-7110720-SP	SCREW 11/64-40 L=7	2
51		CM-3012000-01	SAFETY LABEL_S	1
52		229-01805	GROUND MARK	1
53		229-02605	RULER STOP SEAT	1
54		SS-2110915-SP	SCREW 11/64-40 L=8.5	1
55		SS-4112215-SP	SCREW 11/64-40 L=22	1
56		TA-0950806-R0	RUBBER PLUG	1

2. MAIN SHAFT & THREAD TAKE-UP LEVER COMPONENTS



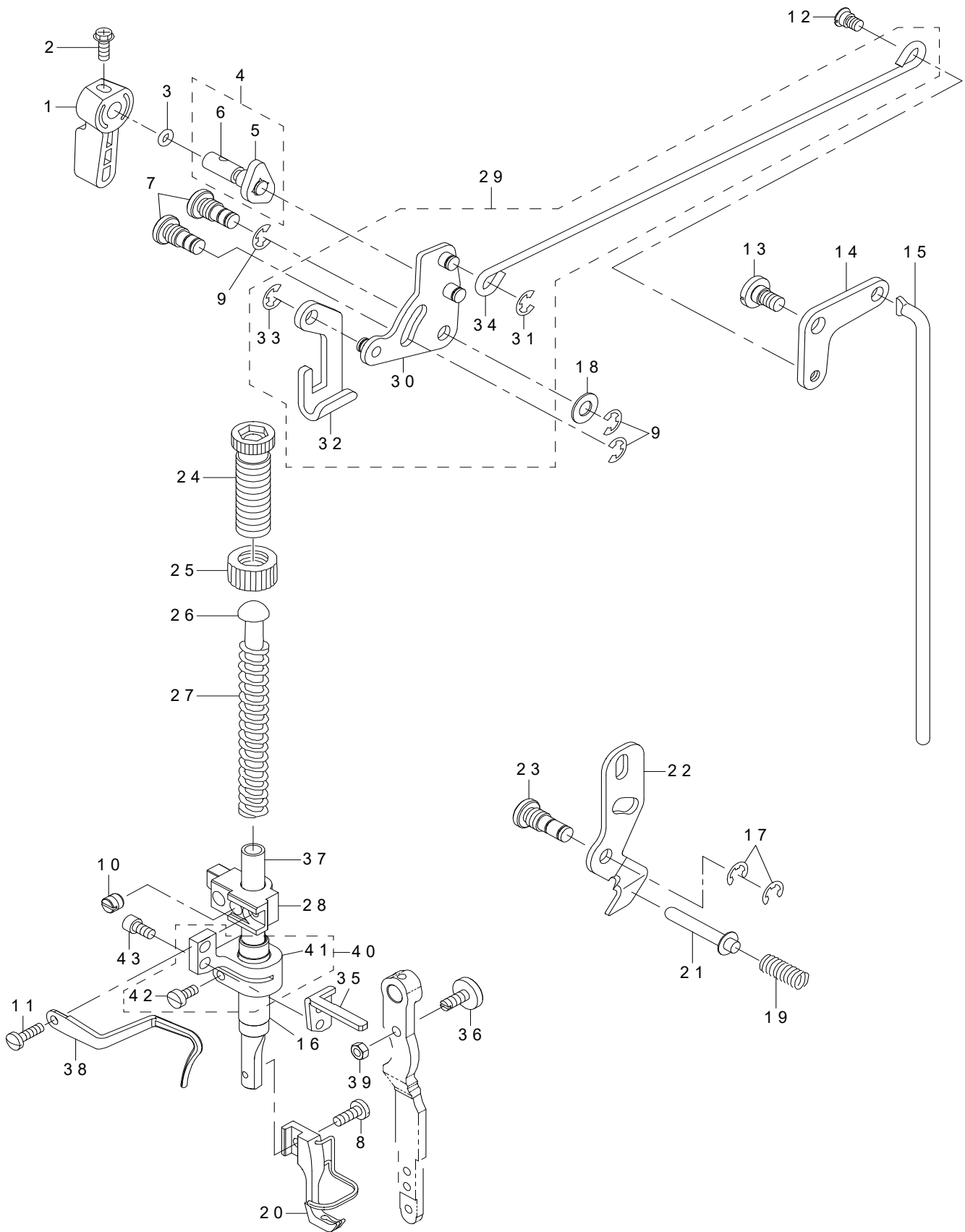
REF.NO	NOTE	PART NO	DESCRIPTION	Qty
1		SS-8151150-TP	SCREW 15/64-28 L=10.5	1
2		400-21775	THREAD TAKE-UP LEVER ASM.	1
3		RO-0291801-00	RUBBER RING	1
4		400-21773	ECCENTRIC FEED CAM ASM.	1
5		400-21574	ECCENTRIC FEED CAM	(1)
6		SS-8660810-TP	SCREW 1/4-40 L=8	(2)
7		229-03207	MAIN SHAFT BUSHING FRONT	1
8		400-26457	HAND WHEEL B	1
9		SM-4051055-SP	SCREW	3
10		400-21774	VERTICAL FEED CAM ASM.	1
11		SS-8681650-TP	SCREW 9/32-28 L=16	(2)
12		400-21575	VERTICAL FEED CAM	(1)
13		400-21770	COUNTER WEIGHT ASM.	1
14		SS-8681650-TP	SCREW 9/32-28 L=16	(1)
15		SS-8660410-SP	SCREW 1/4-40 L=4.2	(2)
16		RO-0442401-00	RUBBER RING	(1)
17		SS-7681650-TP	SCREW 9/32-28 L=16	(1)
18		400-21635	COUNTER WEIGHT	(1)
19		400-24118	PITMAN SLEEVE	1
20		400-48594	MAIN SHAFT BUSHING	1
21		110-02508	OIL SEAL	1
22		RC-1850001-KP	SNAP RING 18.5	1
23		229-04155	MAIN SHAFT THRUST COLLAR ASM.	1
24		SS-8660610-TP	SCREW 1/4-40 L=6	(2)
25		229-04106	MAIN SHAFT THRUST COLLAR	(1)
26		B1215-552-000	OIL ADJUSTING COLLAR	1
27		229-03306	BUSHING INTERMEDIATE	1
28		B1226-490-000	ROLLER FELT	1
29		400-26454	HAND WHEEL A	1
30		SS-8151550-SP	SCREW 15/64-28 L=15	2
31		229-03009	MAIN SHAFT	1
32		229-03900	ADJUSTING PIN	1
33		401-02602	FEED_DRIVE_ECCENTRIC_CAM_ASM	1
34		SS-8660610-TP	SCREW 1/4-40 L=6	(1)
35		SS-8661030-SP	SCREW 1/4-40 L=10	(1)
36		401-01997	FEED_DRIVE_ECCENTRIC_CAM	(1)

3. NEEDLE BAR, UPRIGHT SHAFT & HOOK DRIVING SHAFT COMPONENTS



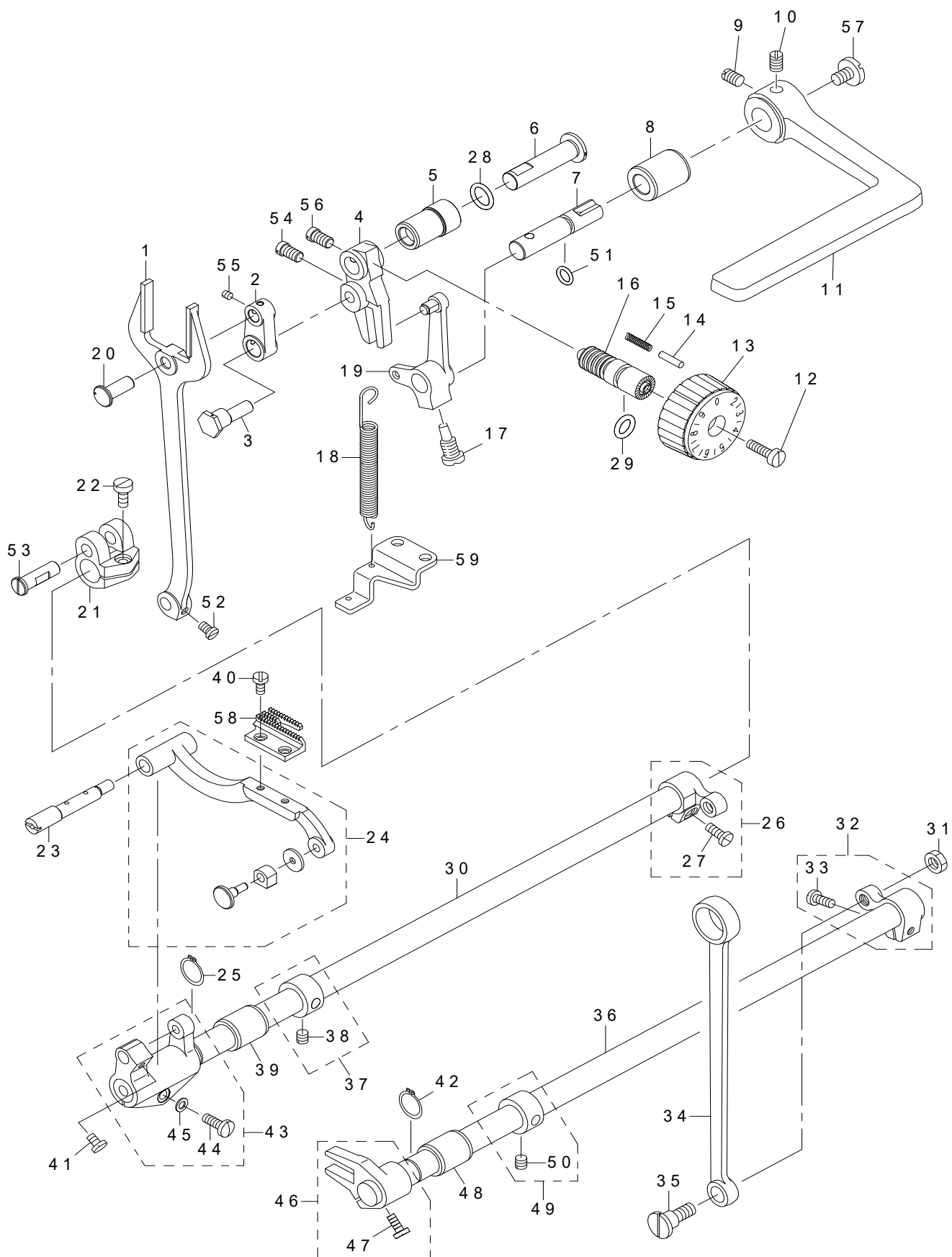
REF.NO	NOTE	PART NO	DESCRIPTION	Qty
1		229-01409	NEEDLE BAR UPPER BUSH CAP	1
2		229-06101	NEEDLE BAR BUSHING, UPPER	1
3		400-23030	NEEDLE BAR	1
4		114-04704	OIL WICK	1
5		229-16506	SET SCREW	1
6		400-90058	SLIDE BLOCK	1
7		400-23223	NEEDLE BAR THREAD GUIDE	1
8		400-21604	NEEDLE BAR BUSHING LOWER	1
9		SS-7080510-TP	SCREW 1/8-44 L=4.5	1
10		400-24124	NEEDLE BAR THREAD GUIDE	1
11		MDP-170B2100	NEEDLE DPX17 #21	1
12		400-90002	UPPER LARGE BEVEL GEAR ASM.	1
13		400-90006	UPPER LARGE BEVEL GEAR	(1)
14		SS-8660810-TP	SCREW 1/4-40 L=8	(2)
15		400-90003	UPPER SMALL BEVEL GEAR ASM.	1
16		400-90007	UPPER SMALL BEVEL GEAR	(1)
17		SS-8660810-TP	SCREW 1/4-40 L=8	(2)
18		400-90004	LOWER LARGE BEVEL GEAR ASM.	1
19		400-90008	LOWER LARGE BEVEL GEAR	(1)
20		SS-8660810-TP	SCREW 1/4-40 L=8	(2)
21		400-90005	LOWER SMALL BEVEL GEAR ASM.	1
22		400-90009	LOWER SMALL BEVEL GEAR	(1)
23		SS-8660810-TP	SCREW 1/4-40 L=8	(2)
24		400-21612	UPRIGHT SHAFT	1
25		229-05103	UPRIGHT SHAFT BUSHING UPPER	1
26		229-05202	UPRIGHT SHAFT BUSHING LOWER	1
27		229-16308	HOOK DRIVING SHAFT BUSH REAR	1
28		SS-4120915-SP	SCREW 3/16-28 L=9	1
29		229-17157	THRUST COLLAR ASM. REAR	1
30		SS-6110420-TP	SCREW 11/64-40 L=4.8	(2)
31		114-03300	HOOK DRIVING SHAFT	1
32		401-41234	POSITIONING FINGER	1
33		229-17058	THRUST COLLAR ASM. FRONT	1
34		SS-8110410-TP	SCREW 11/64-40 L=3.5	(2)
35		SS-4110915-TP	SCREW 11/64-40 L=9	1
36		400-21613	HOOK DRIVING SHAFT BUSH FRON	1
37	#01	B1830-141-HA0	HOOK ASM.	1
38		400-98685	HOOK ASM.	1
39		400-21610	BOBBIN	1
40	#01	B9117-201-000	BOBBIN	1
41		400-98684	BOBBIN CASE ASM.	1
42	#01	400-98959	BOBBIN CASE ASM.	1
		NOTE	#01...FOR DU-1181N-**A	

4. HAND LIFTER COMPONENTS



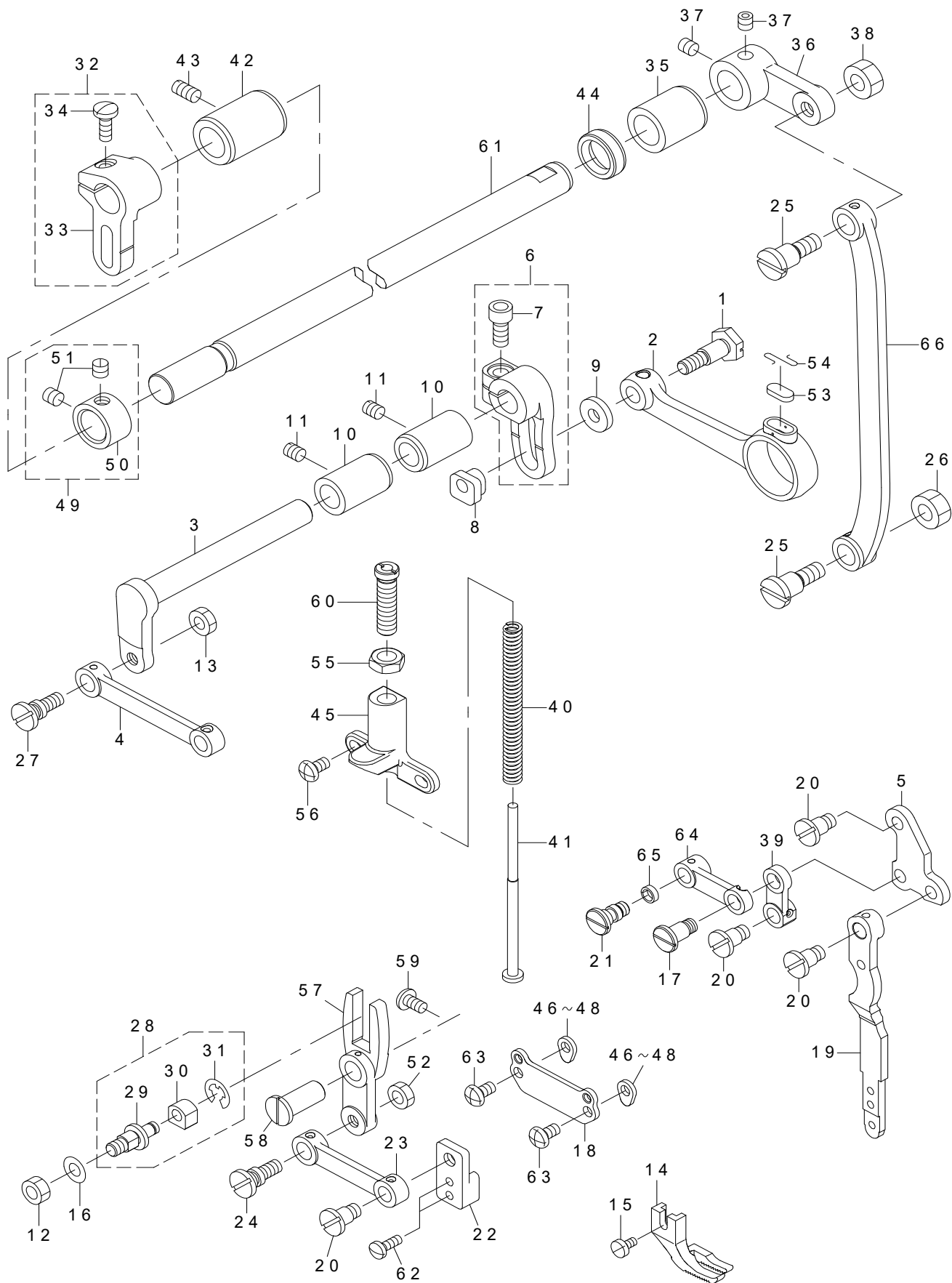
REF.NO	NOTE	PART NO	DESCRIPTION	Qty
1		229-07802	HAND LIFTER	1
2		B1521-555-000	SCREW	1
3		RO-0371801-00	RUBBER RING	1
4		400-21570	HAND LIFTER CAM ASM.	1
5		229-08503	HAND LIFTER CAM	(1)
6		229-08602	HAND LIFTER CAM SHAFT	(1)
7		229-08701	LINK SHAFT	2
8		SS-7091110-TP	SCREW 9/64-40 L=10.5	1
9		RE-0500000-K0	E-RING	3
10		SS-8660610-TP	SCREW 1/4-40 L=6	1
11		SS-6090910-SP	SCREW 9/64-40 L=9	2
12		229-08909	HINGE SCREW	1
13		SD-0720331-SP	HINGE SCREW D=7.24 H=3.3	1
14		229-08800	KNEE LIFTER LINK	1
15		229-09006	KNEE LIFTER CONNECTING ROD	1
16		400-14007	PRESSER BAR BUSHING LOWER	1
17		RE-0500000-K0	E-RING	2
18		WP-0650876-SD	WASHER 6.5X13X0.8	1
19		229-20409	THREAD RELEASE PIN SPRING	1
20		400-21791	PRESSER FOOT ASM.	1
21		229-20300	THREAD RELEASE SUPPORTING PIN	1
22		400-64560	THREAD_RELEASE_PLATE	1
23		229-20102	TENSION RELEASE ASHFT	1
24		401-01971	PRESSER_ADJUSTING_SCREW	1
25		229-07604	PRESSER SPRING REGULATOR NUT	1
26		229-07703	PRESSER GUIDE BAR	1
27		401-01970	PRESSER_SPRING	1
28		401-02978	PRESSER_BAR_GUIDE_BRACKET	1
29		400-64558	KNEE_LIFTING_CROSS_ROD_ASM.	1
30		400-64561	LIFTING_LINK_ASM	(1)
31		RE-0500000-K0	E-RING	(1)
32		400-23246	LIFTING PLATE	(1)
33		RE-0500000-K0	E-RING	(1)
34		229-08305	KNEE LIFTER SIDE ROD	(1)
35		401-09071	SUPPORT_PLATE	1
36		401-09160	MS1190MF/V045R-AA	1
37		400-17805	PRESSER BAR	1
38		401-01961	THREAD_GUIDE	1
39		NS-6110310-SP	NUT 11/64-40	1
40		401-01958	SUPPORT_BASE_ASM.	1
41		401-01957	SUPPORT_BASE	(1)
42		SS-7091410-SP	SCREW 9/64-40 L=13.5	(1)
43		SM-6040802-TP	SCREW M4X0.7 L=8	2

5. FEED MECHANISM COMPONENTS



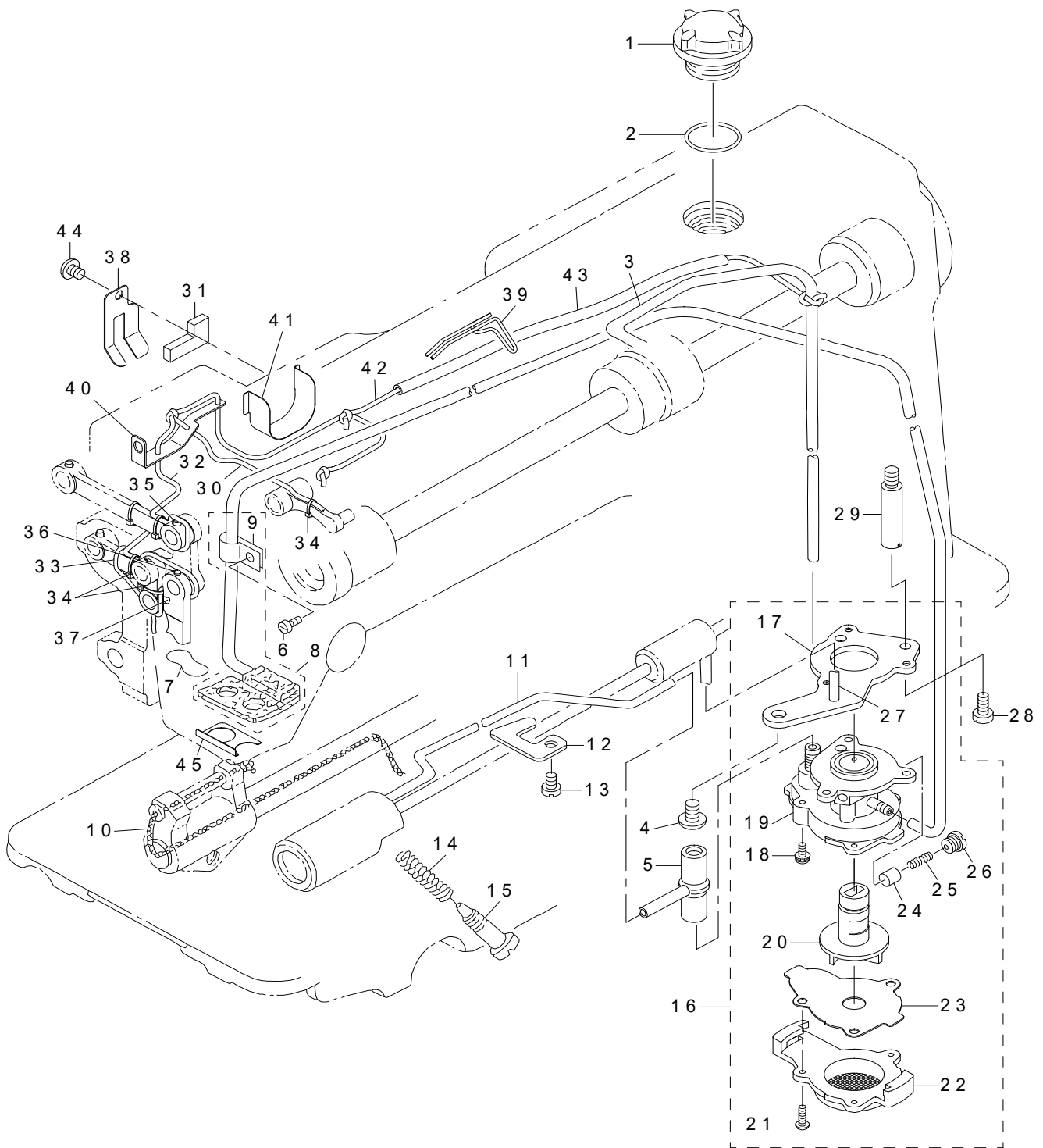
REF.NO	NOTE	PART NO	DESCRIPTION	Qty
1		400-24130	PITMAN ROD	1
2		400-26195	FEED REGULATOR CONNECTING LINK	1
3		400-24119	WALKING FOOT PIN	1
4		400-24117	FEED REGULATOR	1
5		401-01955	FEED_REGULATOR_BUSHING	1
6		401-01956	FEED_REGULATOR_SHAFT	1
7		400-38991	FEED REVERSE SHAFT	1
8		400-38958	FEED REVERSE BUSHING	1
9		SM-8061050-TP	SCREW	1
10		SM-8061010-TP	SCREW	1
11		229-12703	FEED LEVER	1
12		SS-6121860-SP	SCREW 3/16-28 L=18	1
13		400-21571	FEED DIAL	1
14		229-12000	FEED REGULATOR PIN	1
15		229-12109	FEED REGULATOR PIN SPRING	1
16		229-11804	FEED REGULATOR SCREW	1
17		229-12505	FEED REVERSE ARM SCREW	1
18		401-01947	LEVER_RETURN_SPRING	1
19		229-66758	LEVER ARM ASM.	1
20		400-26194	HINGE PIN	1
21		400-24308	FEED ROCK SHAFT CRANK	1
22		SS-6121210-SP	SCREW 3/16-28 L=12	1
23		229-40803	FEED BAR SHAFT	1
24		401-01951	FEED_BASE_ASM	1
25		RC-0150001-KP	C-RING 15(13.8)	1
26		400-99579	FEED ROCKER ARM ASM.	1
27		SS-6121210-SP	SCREW 3/16-28 L=12	(1)
28		RO-1182401-00	O-RING	1
29		RO-0922702-00	RUBBER RING	1
30		229-12901	FEED ROCKER SHAFT	1
31		NS-6680410-SP	NUT 9/32-28	1
32		400-99579	FEED ROCKER ARM ASM.	1
33		SS-6121210-SP	SCREW 3/16-28 L=12	(1)
34		229-15003	CONNECTING ROD	1
35		SD-1000801-SH	HINGE SCREW D=10 H=8	1
36		229-15201	FEED DRIVING SHAFT	1
37		229-04155	MAIN SHAFT THRUST COLLAR ASM.	1
38		SS-8660610-TP	SCREW 1/4-40 L=6	(2)
39		229-13008	FEED ROCKER SHAFT BUSHING	1
40		SS-4080620-TP	SCREW 1/8-44 L=6	2
41		SS-7110740-TP	SCREW 11/64-40 L=7	1
42		RC-0150001-KP	C-RING 15(13.8)	1
43		229-40654	FEED ROCKER ASM.	1
44		SS-7121410-TP	SCREW 3/16-28 L=14	(1)
45		WP-0480856-SP	WASHER 4.8X8.4X0.8	(1)
46		229-15359	DRIVING SHAFT CRANK ASM.	1
47		SS-7111120-TP	SCREW	(1)
48		229-13008	FEED ROCKER SHAFT BUSHING	1
49		229-04155	MAIN SHAFT THRUST COLLAR ASM.	1
50		SS-8660610-TP	SCREW 1/4-40 L=6	(2)
51		RO-0781901-00	RUBBER RING	1
52		SS-7120910-TP	SCREW 3/16-28 L=9	1
53		400-26520	FEED ROCKER SHAFT CRANK PIN	1
54		229-72806	FEED ECCENTRIC CAM SETSCREW	1
55		SS-6110710-TP	SCREW 11/64-40 L=6.5	1
56		229-72806	FEED ECCENTRIC CAM SETSCREW	1
57		SS-7620750-SP	SCREW 3/16-32 L=6.5	1
58		401-01949	FEED_DOG	1
59		401-01948	FEED_SPRING_HOOK	1

6. UPPER FEED MECHANISM COMPONENTS



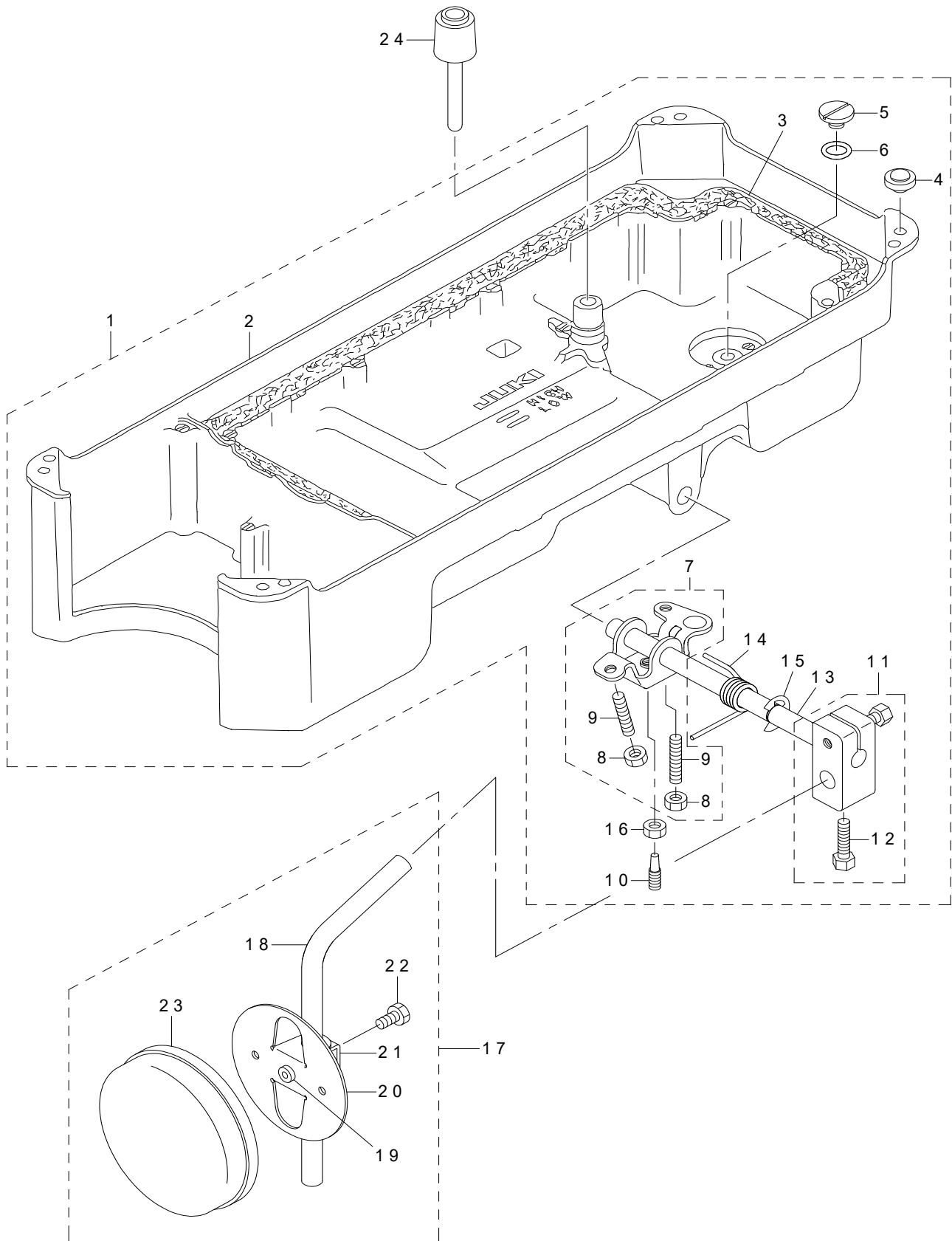
REF.NO	NOTE	PART NO	DESCRIPTION	Qty
1		400-21579	HINGE SCREW	1
2		400-21576	CRANK CONNECTING ROD	1
3		400-22003	UPPER FEED DRIVING SHAFT	1
4		401-01953	CONNECTING LINK	1
5		401-01954	L-SHAPED LINK	1
6		401-02601	UPPER FEED SPRING ROD ASM.	1
7		SS-6151412-TP	SCREW 15/64-28 L=14	(1)
8		B3009-141-H0A	NUT	1
9		B3010-141-H00	WASHER	1
10		400-21625	BUSHING	2
11		SS-8150710-TP	SCREW 15/64-28 L=7	2
12		NS-6160520-SP	NUT 1/4-24	1
13		NS-6150310-SP	NUT 15/64-28	1
14		400-22772	PRESSURE FOOT	1
15		SS-7090610-SP	SCREW 9/64-40 L=6	1
16		WP-0650876-SD	WASHER 6.5X13X0.8	1
17		401-39223	HINGE SCREW C	1
18		400-21581	WALKING BAR DRIVING LINK	1
19		401-01952	L-SHAPED ROD	1
20		401-39221	HINGE SCREW B	4
21		401-39225	HINGE SCREW D	1
22		400-21582	CONNECTING LINK HOLDER	1
23		400-21577	CONNECTING LINK	1
24		401-39219	HINGE SCREW A	1
25		SD-1020961-SP	HINGE SCREW D=10.2 H=9.6	2
26		NS-6680320-SP	NUT 9/32-28	1
27		401-39219	HINGE SCREW A	1
28		400-21787	SLIDE BLOCK ASM.	1
29		400-21788	SLIDE BLOCK PIN	(1)
30		229-13602	NEEDLE BAR SLIDE BLOCK	(1)
31		RE-0400000-K0	E-RING 4	(1)
32		400-21783	CONNECTING ARM ASM	1
33		400-21583	CONNECTING ARM	(1)
34		SS-7121410-TP	SCREW 3/16-28 L=14	(1)
35		400-21938	BUSHING REAR	1
36		400-31287	DRIVING SHAFT ROD	1
37		SS-8660612-TP	SCREW 1/4-40 L=6	2
38		NS-6680410-SP	NUT 9/32-28	1
39		400-21595	L-SHAPED LINK(B)	1
40		401-01972	SPRING	1
41		401-10729	SPRING POLE	1
42		400-21585	BUSHING FRONT	1
43		SS-8151150-TP	SCREW 15/64-28 L=10.5	1
44		401-39216	OIL SEAL	1
45		401-01974	SPRING BAR	1
46	#01	400-29415	WASHER C	2
47	#01	400-29413	WASHER A	2
48	#01	400-29414	WASHER B	2
49		229-04155	MAIN SHAFT THRUST COLLAR ASM.	1
50		229-04106	MAIN SHAFT THRUST COLLAR	(1)
51		SS-8660610-TP	SCREW 1/4-40 L=6	(2)
52		NS-6150310-SP	NUT 15/64-28	1
53		400-25574	FELT	1
54		B1213-012-000	FELT RETAINER	1
55		401-02008	NUT	1
56		SS-4120915-SP	SCREW 3/16-28 L=9	2
57		400-21627	SLIDE FORK	1
58		400-21630	HINGE PIN	1
59		SS-4120915-SP	SCREW 3/16-28 L=9	1
60		401-01973	ADJUSTING THUMB SCREW	1
61		400-21584	UPPER FEED DRIVING SHAFT	1
62		SS-7091110-SP	SCREW 9/64-40 L=10.5	2
63		SS-4120915-SP	SCREW 3/16-28 L=9	2
64		400-21594	L-SHAPED LINK(A)	1
65		400-27810	FELT	0.02
66		400-21587	DRIVING ROD	1
		NOTE	#01SELECTIVE PARTS	

7. OIL LUBRICATION COMPONENTS



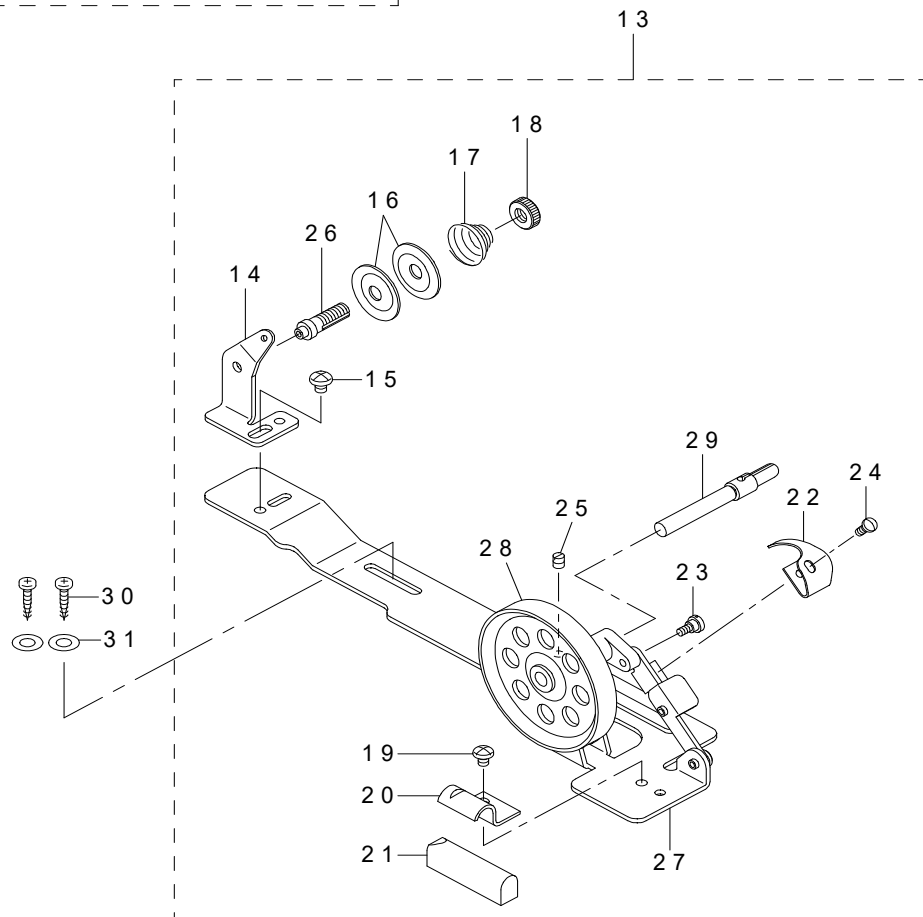
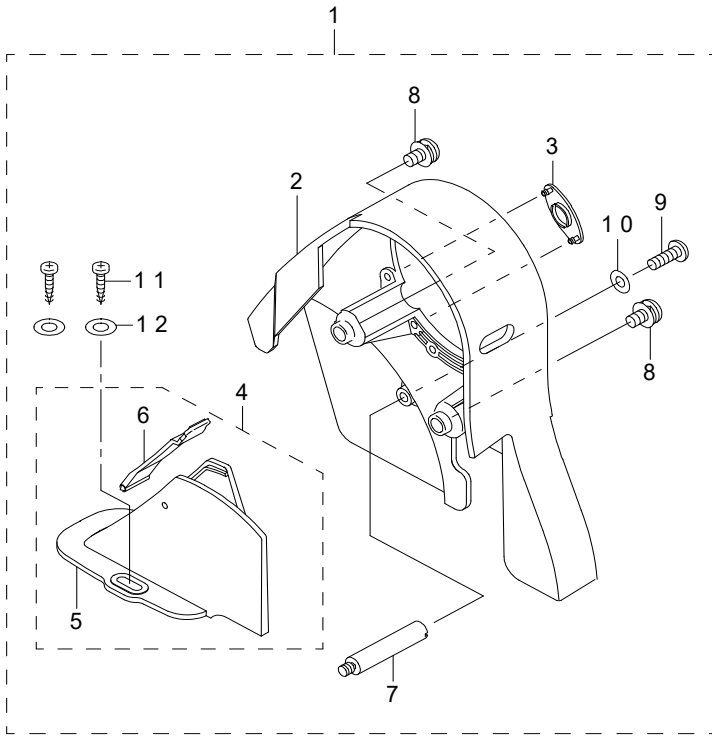
REF.NO	NOTE	PART NO	DESCRIPTION	Qty
1		229-24708	OIL SIGHT WINDOW	1
2		RO-1952401-00	RUBBER RING	1
3		229-24401	MAIN SHAFT OIL TUBE	1
4		SS-4150915-SP	SCREW 15/64-28 L=9	1
5		229-24609	RUBBER JOINT	1
6		SS-4120615-SP	SCREW 3/16-28 L=6	1
7		229-25101	OIL FELT PRESSER	1
8		229-24153	RETURN PIPE ASM.	1
9		229-24302	RETURN PIPE HOLDER	(1)
10		CQ-2520000-00	OIL WICK	0.3
11		229-24500	HOOK OIL TUBE	1
12		229-24807	PIPE HOLDER LOWER	1
13		SS-4150915-SP	SCREW 15/64-28 L=9	1
14		229-24906	OIL REGULATOR SCREW SPRING	1
15		229-25002	OIL REGULATOR SCREW	1
16		114-04555	LUBRICATING OIL PUMP ASM.	1
17		229-23312	PUMP BODY INSTALLING PLATE	(1)
18		SL-4030851-SF	SCREW M3 L=8	(3)
19		229-23015	PUMP BODY	(1)
20		229-23700	IMPELLER	(1)
21		SE-4301041-SR	SCREW D=3 L=10	(3)
22		229-23205	PUMP BODY COVER	(1)
23		229-23809	PUMP BODY SUPPORT PLATE	(1)
24		229-23403	PLUNGER	(1)
25		229-23601	PLUNGER SPRING	(1)
26		229-23502	PLUNGER SCREW	(1)
27		114-04605	HOOK DRIVING SHAFT OIL TUBE	(1)
28		SS-6111010-TP	SCREW 11/64-40 L=9.5	1
29		229-24005	PUMP BODY STRUT	1
30		CQ-2020000-00	OIL WICK	0.1
31		401-02156	FELT	1
32		CQ-2020000-00	OIL WICK	0.75
33		CQ-2020000-00	OIL WICK	0.1
34		EA-9500B00-00	CLIP CV-70S	5
35		CQ-3000000-F0	OIL FELT	0.04
36		CQ-3000000-F0	OIL FELT	0.04
37		CQ-3000000-F0	OIL FELT	0.04
38		400-25328	OIL SHIELD (C)	1
39		400-27938	HOLDER	1
40		400-30403	OIL WICK SUPPORT	1
41		400-30402	OIL SHIELD (D)	1
42		CQ-2520000-00	OIL WICK	0.39
43		236-30007	TUBE	0.19
44		SS-4120615-SP	SCREW 3/16-28 L=6	1
45		400-21999	FACE PLATE OIL SHIELD (B)	1

8. OIL RESERVOIR COMPONENTS



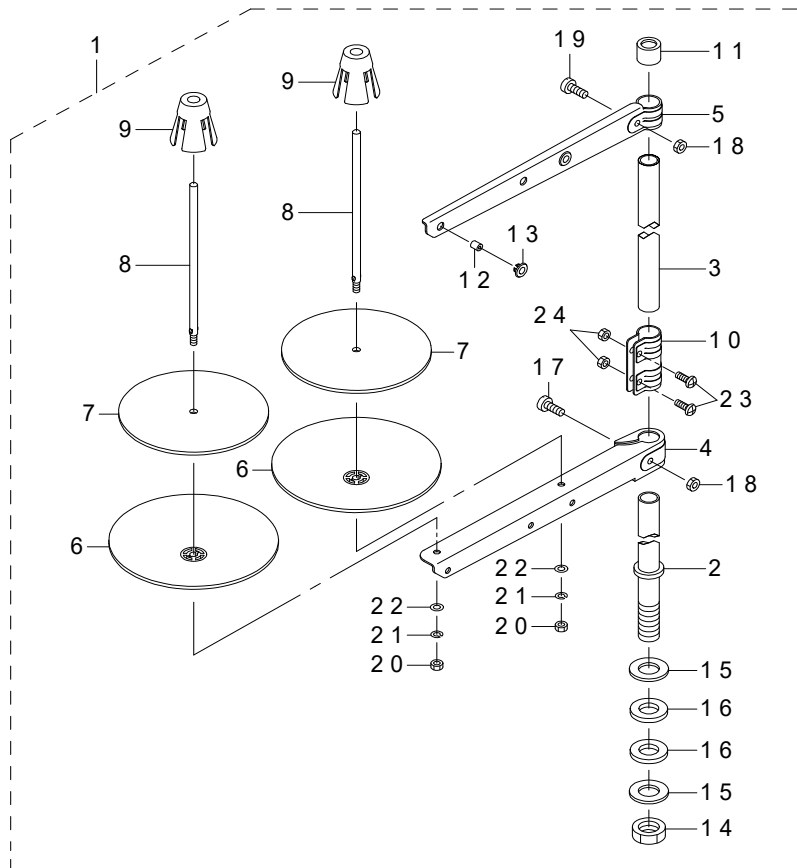
REF.NO	NOTE	PART NO	DESCRIPTION	Qty
1		400-29416	OIL RESERVOIR ASM.	1
2		401-05821	OIL RESERVOIR	(1)
3		229-31901	OIL RESERVOIR GASKET	(1)
4		229-32008	RUBBER CUSHION	(4)
5		SS-6700710-SH	SCREW 5/16-24 L=7	(1)
6		RO-0982401-00	RUBBER RING	(1)
7		229-32156	KNEE LIFTER ROTATION ARM ASM.	(1)
8		NM-6060001-SE	NUT M6	(2)
9		SM-8063012-TR	SCREW M6 L=30	(2)
10		401-01720	SCREW_M6	(1)
11		229-32453	BRACKET ASM.	(1)
12		229-34707	SCREW	(2)
13		401-01541	KNEE_PRESS_CROSS_SHAFT	(1)
14		229-32206	SPRING	(1)
15		RE-1000000-K0	E-RING 10	(1)
16		NM-6060001-SE	NUT M6	(1)
17		229-34251	KNEE PAD PLATE ASM.	1
18		229-34608	KNEE PAD UPRIGHT SHAFT	(1)
19		229-34400	KNEE PAD PLATE RUBBER	(1)
20		229-34202	KNEE PAD PLATE	(1)
21		229-34301	KNEE PAD PLATE SUPPORT	(1)
22		SM-9061203-SE	SCREW M6 L=12	(1)
23		229-34509	KNEE PAD PLATE COVER	(1)
24		229-31703	KNEE LIFTER PUSH ROD	1

9. BELT COVER & BOBBIN COMPONENTS



REF.NO	NOTE	PART NO	DESCRIPTION	Qty
1		229-33451	BELT COVER ASM.	1
2		229-33402	BELT COVER A	(1)
3		229-33501	BELT COVER A CAP	(1)
4		229-33659	BELT COVER B COMPL.	(1)
5		229-33600	BELT COVER B	(1)
6		229-33758	BELT COVER B LID ASM.	(1)
7		229-33907	BELT COVER STRUT	(1)
8		229-34004	SET SCREW	(2)
9		SS-4121415-SP	SCREW 3/16-28 L=14	(1)
10		WP-0501016-SD	WASHER 5X10.5X1	(1)
11		SK-3412000-SC	WOOD SCREW D=4.1 L=20	(2)
12		WP-0450826-SC	WASHER 4.5X10X0.8	(2)
13		114-15866	BOBBIN WINDER COMPL.	1
14		229-28501	THREAD TENSION POST BASE	(1)
15		SS-4110515-SP	SCREW 11/64-40 L=5	(1)
16		229-28907	THREAD TENSION DISK	(2)
17		229-29004	THREAD TENSION SPRING	(1)
18		229-28808	NUT	(1)
19		SS-4110515-SP	SCREW 11/64-40 L=5	(1)
20		229-28402	CONTROL RUBBER HOLDING PLATE	(1)
21		229-28303	CONTROL RUBBER	(1)
22		114-15908	POSITIONING FINGER	(1)
23		SD-0490261-SP	HINGE SCREW D=4.9 H=2.6	(1)
24		SS-7081310-SP	SCREW 1/8-44 L=12.5	(1)
25		SS-8110510-SP	SCREW 11/64-40 L=5	(1)
26		229-28709	THREAD TENSION POST	(1)
27		229-27305	BOBBIN WINDER BASE	(1)
28		229-27404	BOBBIN WINDER	(1)
29		229-27602	BOBBIN WINDER SPINDLE	(1)
30		SK-3412000-SC	WOOD SCREW D=4.1 L=20	2
31		WP-0450826-SC	WASHER 4.5X10X0.8	2

10. THREAD STAND COMPONENTS



REF.NO	NOTE	PART NO	DESCRIPTION	Qty
1		400-96354	THREAD STAND ASM.	1
2		400-85784	SPOOL REST ROD LOWER	(1)
3		400-85785	SPOOL REST ROD UPPER	(1)
4		400-85786	SPOOL REST ARM LOWER	(1)
5		400-85787	SPOOL REST ARM UPPER	(1)
6		400-85788	SPOOL REST	(2)
7		400-85789	SPOOL REST CUSHION	(2)
8		400-85790	SPOOL PIN	(2)
9		400-85791	SPOOL RETAINER	(2)
10		400-85792	SPOOL REST ROD JOINT	(1)
11		400-85793	SPOOL REST ROD RUBBER CAP	(1)
12		400-85794	THREAD GUIDE	(2)
13		400-85795	THREAD GUIDE BUSHING	(2)
14		400-96325	SPOOL REST ROD NUT	(1)
15		WP-1612616-SE	WASHER 16X30X2.6	(2)
16		400-85796	SPOOL REST ROD RUBBER CUSHION	(2)
17		400-96326	SPOOL REST ARM LOWER SCREW	(1)
18		NM-6050001-SE	NUT M5	(2)
19		400-96327	SPOOL REST ARM UPPER SCREW	(1)
20		NM-6050001-SE	NUT M5	(2)
21		WS-0510002-KN	SPRING WASHER M5	(2)
22		WP-0531001-SC	WASHER M5	(2)
23		SM-4051405-SE	SCREW M5 L=14	(2)
24		NM-6050001-SE	NUT M5	(2)

NUMERICAL INDEX OF PARTS

PART NO	PAGE	REF NO	PART NO	PAGE	REF NO	PART NO	PAGE	REF NO	PART NO	PAGE	REF NO
B1213-012-000	12	54	SS-4110915-TP	6	35	TA-2101002-R0	2	11	229-21209	2	29
B1215-552-000	4	26	SS-4112215-SP	2	55	TA-2351004-R0	2	16	229-21308	2	24
B1226-490-000	4	28	SS-4120615-SP	2	19				229-21407	2	25
B1521-555-000	8	2	SS-4120615-SP	2	20	WP-0450826-SC	18	12	229-21506	2	28
B1830-141-HA0	6	37	SS-4120615-SP	14	6	WP-0450826-SC	18	31	229-21605	2	30
B3009-141-H0A	12	8	SS-4120615-SP	14	44	WP-0480856-SP	10	45	229-21803	2	27
B3010-141-H00	12	9	SS-4120915-SP	2	7	WP-0501016-SD	18	10	229-23015	14	19
B9117-201-000	6	40	SS-4120915-SP	6	28	WP-0531001-SC	19	22	229-23205	14	22
			SS-4120915-SP	12	56	WP-0650876-SD	8	18	229-23312	14	17
CM-3002000-01	2	48	SS-4120915-SP	12	59	WP-0650876-SD	12	16	229-23403	14	24
CM-3012000-01	2	51	SS-4120915-SP	12	63	WP-1612616-SE	19	15	229-23502	14	26
CQ-2020000-00	14	30	SS-4121015-SP	2	40	WS-0510002-KN	19	21	229-23601	14	25
CQ-2020000-00	14	32	SS-4121015-SP	2	47				229-23700	14	20
CQ-2020000-00	14	33	SS-4121415-SP	18	9	110-01500	2	22	229-23809	14	23
CQ-2520000-00	14	10	SS-4150915-SP	14	4	110-02508	4	21	229-24005	14	29
CQ-2520000-00	14	42	SS-4150915-SP	14	13	114-03300	6	31	229-24153	14	8
CQ-3000000-F0	14	35	SS-4701415-SD	2	49	114-04555	14	16	229-24302	14	9
CQ-3000000-F0	14	36	SS-6060210-SP	2	44	114-04605	14	27	229-24401	14	3
CQ-3000000-F0	14	37	SS-6080320-SP	2	3	114-04704	6	4	229-24500	14	11
			SS-6090910-SP	8	11	114-15205	2	18	229-24609	14	5
EA-9500B00-00	14	34	SS-6110420-TP	6	30	114-15866	18	13	229-24708	14	1
			SS-6110610-TP	2	38	114-15908	18	22	229-24807	14	12
MDP-170B2100	6	11	SS-6110710-TP	10	55				229-24906	14	14
			SS-6111010-TP	14	28	229-01003	2	45	229-25002	14	15
NM-6050001-SE	19	18	SS-6121210-SP	10	22	229-01201	2	42	229-25101	14	7
NM-6050001-SE	19	20	SS-6121210-SP	10	27	229-01250	2	41	229-27305	18	27
NM-6050001-SE	19	24	SS-6121210-SP	10	33	229-01300	2	43	229-27404	18	28
NM-6060001-SE	16	8	SS-6121860-SP	10	12	229-01409	6	1	229-27602	18	29
NM-6060001-SE	16	16	SS-6151412-TP	12	7	229-01805	2	52	229-28303	18	21
NS-6110310-SP	8	39	SS-6700710-SH	16	5	229-02506	2	2	229-28402	18	20
NS-6150310-SP	12	13	SS-7080510-TP	6	9	229-02605	2	53	229-28501	18	14
NS-6150310-SP	12	52	SS-7081310-SP	18	24	229-03009	4	31	229-28709	18	26
NS-6160520-SP	12	12	SS-7090610-SP	12	15	229-03207	4	7	229-28808	18	18
NS-6680320-SP	12	26	SS-7091110-SP	12	62	229-03306	4	27	229-28907	18	16
NS-6680410-SP	10	31	SS-7091110-TP	8	8	229-03900	4	32	229-29004	18	17
NS-6680410-SP	12	38	SS-7091410-SP	8	42	229-04106	4	25	229-31703	16	24
			SS-7110720-SP	2	50	229-04106	12	50	229-31901	16	3
RC-0150001-KP	10	25	SS-7110740-TP	10	41	229-04155	4	23	229-32008	16	4
RC-0150001-KP	10	42	SS-7111120-TP	10	47	229-04155	10	37	229-32156	16	7
RC-1850001-KP	4	22	SS-7120910-TP	10	52	229-04155	10	49	229-32206	16	14
RE-0400000-K0	12	31	SS-7121410-TP	10	44	229-04155	12	49	229-32453	16	11
RE-0500000-K0	8	9	SS-7121410-TP	12	34	229-05103	6	25	229-33402	18	2
RE-0500000-K0	8	17	SS-7620750-SP	10	57	229-05202	6	26	229-33451	18	1
RE-0500000-K0	8	31	SS-7681650-TP	4	17	229-06101	6	2	229-33501	18	3
RE-0500000-K0	8	33	SS-8090670-SP	2	32	229-07604	8	25	229-33600	18	5
RE-1000000-K0	16	15	SS-8110410-TP	6	34	229-07703	8	26	229-33659	18	4
RO-0291801-00	4	3	SS-8110510-SP	18	25	229-07802	8	1	229-33758	18	6
RO-0371801-00	8	3	SS-8150710-TP	2	33	229-08305	8	34	229-33907	18	7
RO-0442401-00	4	16	SS-8150710-TP	12	11	229-08503	8	5	229-34004	18	8
RO-0781901-00	10	51	SS-8151150-TP	4	1	229-08602	8	6	229-34202	16	20
RO-0922702-00	10	29	SS-8151150-TP	12	43	229-08701	8	7	229-34251	16	17
RO-0982401-00	16	6	SS-8151550-SP	4	30	229-08800	8	14	229-34301	16	21
RO-1182401-00	10	28	SS-8660410-SP	4	15	229-08909	8	12	229-34400	16	19
RO-1952401-00	14	2	SS-8660610-TP	4	24	229-09006	8	15	229-34509	16	23
			SS-8660610-TP	4	34	229-11804	10	16	229-34608	16	18
SD-0490261-SP	18	23	SS-8660610-TP	8	10	229-12000	10	14	229-34707	16	12
SD-0720331-SP	8	13	SS-8660610-TP	10	38	229-12109	10	15	229-40654	10	43
SD-1000801-SH	10	35	SS-8660610-TP	10	50	229-12505	10	17	229-40803	10	23
SD-1020961-SP	12	25	SS-8660610-TP	12	51	229-12703	10	11	229-45307	2	31
SE-4301041-SR	14	21	SS-8660612-TP	12	37	229-12901	10	30	229-58300	2	15
SK-3412000-SC	18	11	SS-8660810-TP	4	6	229-13008	10	39	229-66758	10	19
SK-3412000-SC	18	30	SS-8660810-TP	6	14	229-13008	10	48	229-72806	10	54
SL-4030851-SF	14	18	SS-8660810-TP	6	17	229-13602	12	30	229-72806	10	56
SM-4051055-SP	4	9	SS-8660810-TP	6	20	229-15003	10	34	236-26104	2	21
SM-4051405-SE	19	23	SS-8660810-TP	6	23	229-15201	10	36	236-30007	14	43
SM-6040802-TP	8	43	SS-8661030-SP	4	35	229-15359	10	46			
SM-8061010-TP	10	10	SS-8681650-TP	4	11	229-16308	6	27	400-14007	8	16
SM-8061050-TP	10	9	SS-8681650-TP	4	14	229-16506	6	5	400-17805	8	37
SM-8063012-TR	16	9				229-17058	6	33	400-21567	2	9
SM-9061203-SE	16	22	TA-0850604-R0	2	5	229-17157	6	29	400-21570	8	4
SS-2110915-SP	2	54	TA-0950806-R0	2	56	229-20102	8	23	400-21571	10	13
SS-2110920-TP	2	36	TA-1250406-R0	2	39	229-20300	8	21	400-21574	4	5
SS-4080620-TP	10	40	TA-1250705-R0	2	6	229-20409	8	19	400-21575	4	12
SS-4110515-SP	18	15	TA-2050406-R0	2	10	229-20607	2	37	400-21576	12	2
SS-4110515-SP	18	19	TA-2050406-R0	2	46	229-20904	2	34	400-21577	12	23

NUMERICAL INDEX OF PARTS

PART NO	PAGE	REF NO	PART NO	PAGE	REF NO	PART NO	PAGE	REF NO	PART NO	PAGE	REF NO
400-21579	12	1	400-85790	19	8						
400-21581	12	18	400-85791	19	9						
400-21582	12	22	400-85792	19	10						
400-21583	12	33	400-85793	19	11						
400-21584	12	61	400-85794	19	12						
400-21585	12	42	400-85795	19	13						
400-21587	12	66	400-85796	19	16						
400-21592	2	13	400-85903	2	26						
400-21593	2	14	400-90002	6	12						
400-21594	12	64	400-90003	6	15						
400-21595	12	39	400-90004	6	18						
400-21604	6	8	400-90005	6	21						
400-21610	6	39	400-90006	6	13						
400-21612	6	24	400-90007	6	16						
400-21613	6	36	400-90008	6	19						
400-21615	2	35	400-90009	6	22						
400-21625	12	10	400-90058	6	6						
400-21627	12	57	400-96325	19	14						
400-21630	12	58	400-96326	19	17						
400-21635	4	18	400-96327	19	19						
400-21770	4	13	400-96354	19	1						
400-21773	4	4	400-98684	6	41						
400-21774	4	10	400-98685	6	38						
400-21775	4	2	400-98959	6	42						
400-21783	12	32	400-99579	10	26						
400-21787	12	28	400-99579	10	32						
400-21788	12	29	401-01541	16	13						
400-21790	2	4	401-01720	16	10						
400-21791	8	20	401-01947	10	18						
400-21907	2	12	401-01948	10	59						
400-21938	12	35	401-01949	10	58						
400-21999	14	45	401-01951	10	24						
400-22003	12	3	401-01952	12	19						
400-22646	2	1	401-01953	12	4						
400-22647	2	8	401-01954	12	5						
400-22772	12	14	401-01955	10	5						
400-23030	6	3	401-01956	10	6						
400-23223	6	7	401-01957	8	41						
400-23246	8	32	401-01958	8	40						
400-23295	2	17	401-01961	8	38						
400-24117	10	4	401-01970	8	27						
400-24118	4	19	401-01971	8	24						
400-24119	10	3	401-01972	12	40						
400-24124	6	10	401-01973	12	60						
400-24130	10	1	401-01974	12	45						
400-24308	10	21	401-01997	4	36						
400-25328	14	38	401-02008	12	55						
400-25574	12	53	401-02156	14	31						
400-26194	10	20	401-02601	12	6						
400-26195	10	2	401-02602	4	33						
400-26454	4	29	401-02978	8	28						
400-26457	4	8	401-05821	16	2						
400-26520	10	53	401-09071	8	35						
400-27810	12	65	401-09160	8	36						
400-27938	14	39	401-10729	12	41						
400-29413	12	47	401-39216	12	44						
400-29414	12	48	401-39219	12	24						
400-29415	12	46	401-39219	12	27						
400-29416	16	1	401-39221	12	20						
400-30402	14	41	401-39223	12	17						
400-30403	14	40	401-39225	12	21						
400-31287	12	36	401-41234	6	32						
400-38958	10	8									
400-38991	10	7									
400-48594	4	20									
400-64558	8	29									
400-64560	8	22									
400-64561	8	30									
400-85722	2	23									
400-85784	19	2									
400-85785	19	3									
400-85786	19	4									
400-85787	19	5									
400-85788	19	6									
400-85789	19	7									