



Ustellar

LED Security Light User Guide

LED Security Light User Guide

Thank you for ordering from Ustellar. Set-up is easy and takes only a few minutes by following the instructions.

- AC Power Hardwired, NOT Solar Powered, NOT Battery Powered.
- NOT Dimmable. Brightness NOT adjustable.

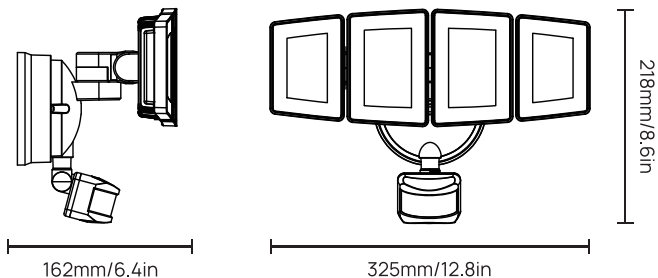
Warning

- (1) Please check if the light and the parts are intact before installation.
- (2) Make sure to cut off power before installation.
- (3) Please do not place this light in corrosive conditions.
- (4) If there is any damage to the cord, please cut off the power and stop using it immediately.
- (5) Please do not retrofit the light within the warranty period.
- (6) To ensure the light works properly, please use the voltage indicated on the packing.

1. Parameters

| | |
|------------------------|----------------------|
| Model | UT88128 |
| Wattage | 100W |
| Color Temperature | 5000K |
| Max Luminous Flux | 10000lm |
| Input Voltage | AC120V |
| Frequency | 50/60Hz |
| Max Detection Range | 180° |
| Max Detection Distance | 60Ft (<24°C) |
| Dimmable | No |
| Controlled By | IR Remote Controller |
| Battery for Controller | CR2025 |
| Life Expectancy | 50000Hr |
| Working Temperature | -20°C-40°C |

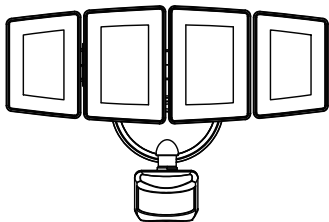
2. Dimension



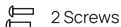
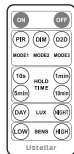
Weight:2.74lb/1.24kg

3. Components

LED Security Light



IR Remote Controller



2 Screws

3 Wire
Connectors

Mounting Bolt



Gasket



Mounting Bracket

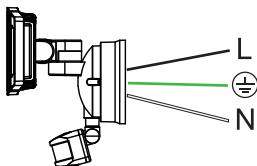


Rubber Plug

4. Installation

Safety Information:

- This product must be installed in accordance with the applicable installation code by a person familiar with the construction and operation of the product and the hazards involved.
- Turn power OFF before installing.
- This product is intended for use with the enclosed gasket and with a junction box marked for use in wet locations.
- Install the height of the light fixture not lower than 5.5ft, to avoid disturbance from small animals on the ground within detection range.
- The sensor should be installed away from air conditioning, refrigerators, stoves and other sensitive to changes in air temperature, as well as windows and other strong hot air flow places, so as not to cause wrong action.
- When the air temperature is close to a person's body heat, the detection sensitivity will be reduced.



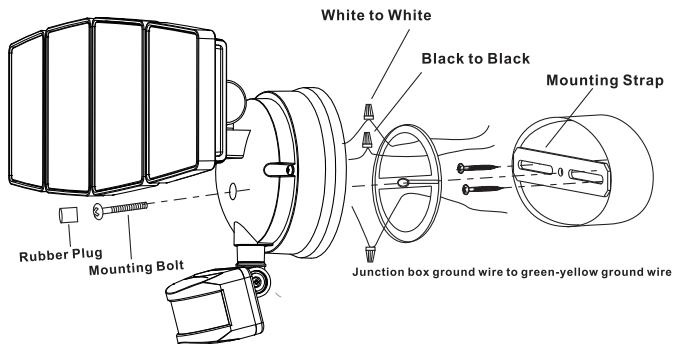
L—Black

G—Green/Yellow

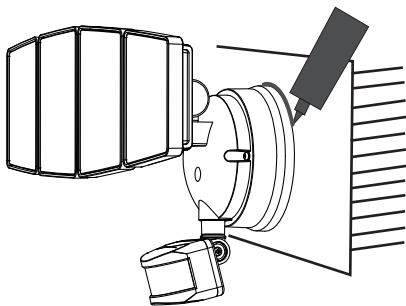
N—White

Installations:

- For best performance, mount the light about 6.5-8ft above the ground.
- If the light is mounted higher than 8ft, aiming the sensor down will reduce the coverage distance.

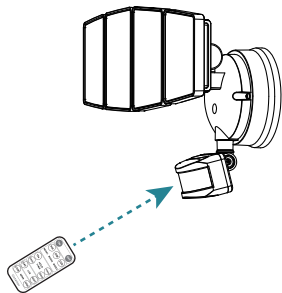
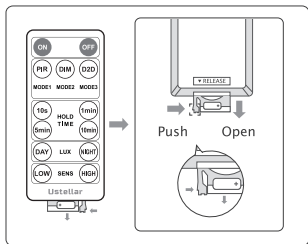


1. Turn off the power.
2. Install the mounting strap as shown with two screws that fit your junction box.
3. Tighten the wires with wire connectors. L should be connected to Black wire, N should be connected to White wire.

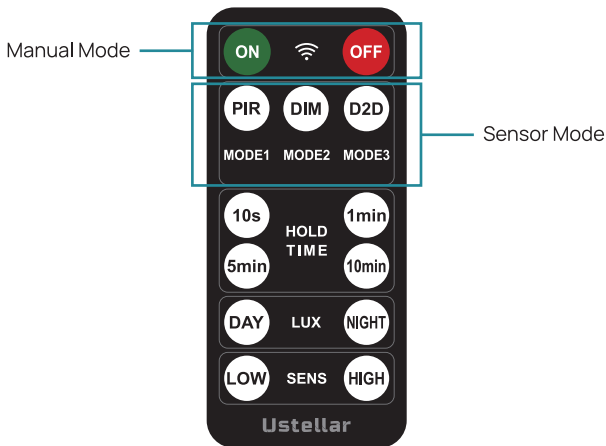


4. After mounting the light, apply silicone sealant completely around the perimeter of the cover plate where the back of the cover plate meets the mounting surface. Silicone sealant prevents water from seeping into the junction box.
5. Remove the plastic sheet from the bottom of the remote controller so as to activate the controller.

Point the IR remote control to the motion sensor for control. It is recommended to keep the distance within 16ft for a better remote control experience.



5.Remote Controller



Manual Mode:

Control the security light constantly ON or OFF.

Sensor Mode:

MODE1: PIR mode. When people go through the sensor area, the light will turn on at 100% brightness. After people leave, the light will turn off.

MODE2: DIM mode. When people go through the sensor area, the light will turn on at 100% brightness. After people leave, the light will turn to 20% brightness.

MODE3: D2D mode. The light will turn on at 100% brightness at night, and automatically turn off in the morning. Motion detection will not work in this mode.

HOLD TIME:

Set the duration of the light to 10s/1min/5min/10min once motion is detected.

LUX:

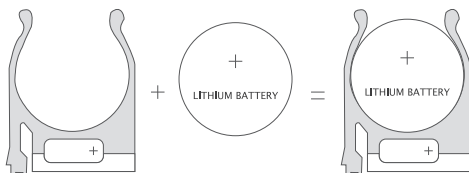
Set the luminance detection. Set to DAY, the light will trigger during the day. Set to NIGHT, the light will trigger only at night.

SENS:

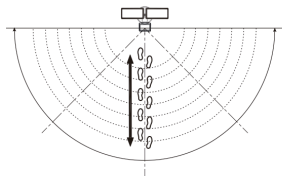
Set the sensor sensitivity for motion detection. Set to LOW, the sensitivity is low. Set to HIGH, the sensitivity is high.

Note:

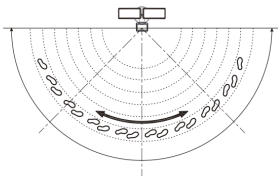
1. The remote controller has memory function, which means that it can start at your last choice on mode and settings.
2. The security light is controlled by the IR remote controller. To make it work perfectly, please point the remote controller to the light and make sure there is no obstacle between the light and the remote controller for better signal response.
3. After a period of usage, the remote controller might run out of battery and become insensitive or the control distance may be shortened. If the remote controller is not working, please try to replace its battery as per instructions shown below. If the remote controller still fails to work after replacing new battery, please contact the seller for help.



- There is a LED indicator in the motion sensor. In Manual Mode, the indicator will turn to green. In Sensor Mode, the indicator will turn to red.
- The motion sensor is less sensitive if in a radial movement, as shown below (picture 1).
The motion sensor is more sensitive if in a lateral movement, as shown below (picture 2).



picture 1



picture 2

The light source of this luminaire is not replaceable, when the light source reaches its end of life the whole luminaire shall be replaced.

SUITABLE FOR WET LOCATIONS;
SUITABLE FOR OPERATION IN AMBIENT NOT EXCEEDING 40°C;

Contact Us

Have some issue? No worries! Please reach us via these channels.
Our customer services team is more than happy to help.



www.ustellar.com



support@ustellar.com

Manufacturer: Shenzhen Ustellar Technology Ltd.

(shen zhen shi you shi tuo ke ji you xian gong si)

Address: 308A, 3/F, Building A, Youth Entrepreneur Hub, Jianshe East Road, Qinghua Community, Longhua Street, Longhua District, Shenzhen, CHINA 518000

Ustellar

E-manual



- Step 1: Scan the QR code
- Step 2: Click E-manual PDF file
- Step 3: Read file online or download



Go paper-free, make life easier, and do something good for the environment.



FC

Made in China