

Available in:



White



Grey

16:9 Electric Matte Motorized Projector Screen + Remote.

Thank you for choosing our TEXONIC screens. All our screens have been passed strictly through quality inspection. Read this manual carefully to ensure proper usage.

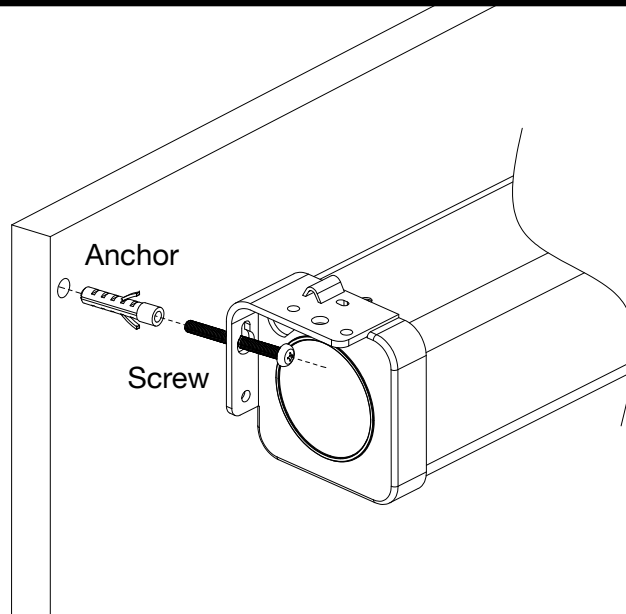
The TEXONIC electric projection screens are ideal for home cinema, office and education use. It's versatile to many requirements. The smooth function of rolling up and down can be controlled by the wall keypad and the remote.

We made sure to produce the top of the line material for our screens. The PVC coated fibreglass allows the screen to be durable, wrinkle free with smooth surface and capture picture quality exquisitely without any distortions. The reinforcement of the glass fibre prevents flexing, keeping the screen uniformly flat. Installation is flexible with options to fit either on the wall or ceiling. * Please note installation screws are not included.

INSTALLATION METHODS

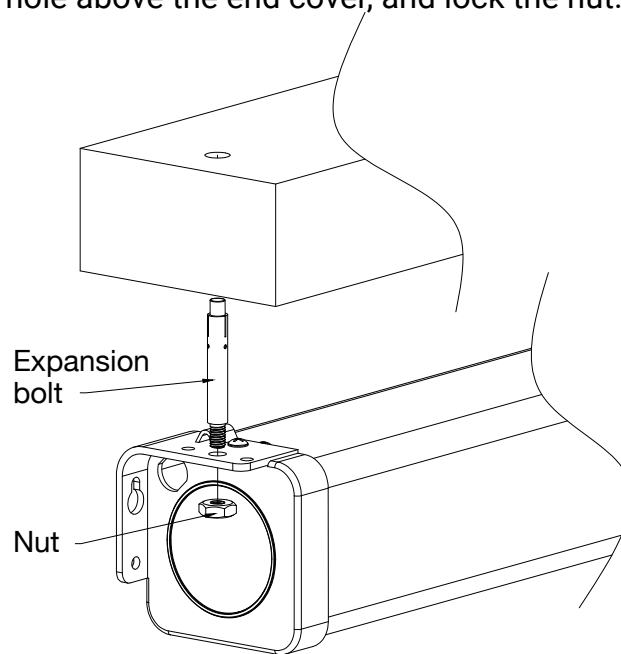
1. Wall installation

Follow the diagram as shown here:



2. Ceiling installation

- 1) Install the expansion bolt on the ceiling, and let the other end of the expansion bolt pass through the middle hole above the end cover, and lock the nut.



USEFUL INSTRUCTIONS

- a. The screen can be used either with the wall keypad or remote.
- b. Please note: If the remote control doesn't functions correctly, please check the battery and replace it.
- c. The screen can be operated by the wall keypad directly. Simply push the UP/DOWN/STOP buttons on the keypad to operate the screen. You can simply stop the screen at any position you desire. Alternatively the screen can be operated by the remote controller and the same functions apply.