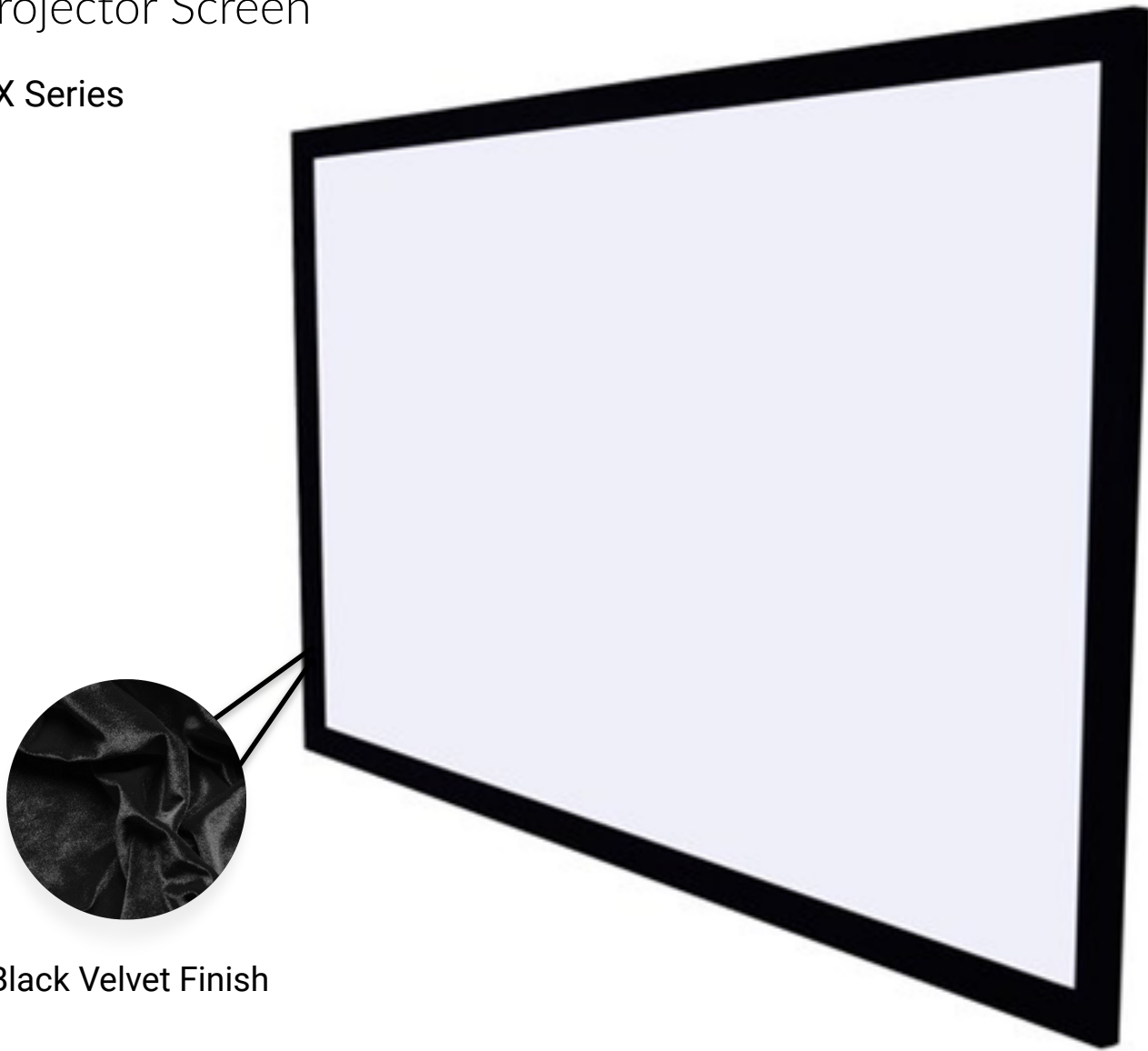


White Velvet Frame Fixed Projector Screen

PX Series



Black Velvet Finish

Available in 100" & 120"

The TEXONIC fixed frame projector screens allow you to create the perfect professional home cinema. It is enclosed in an attractive velvet wrapped lightweight aluminum frame. Compared to a lot of the fixed frames in the market we insure to produce one aluminum frame per side. To avoid any sagging or distortion to the frame. The screen is simple to assemble with the adjustable fabric spring system. The tension springs along with the fixing lugs stretching and tightening the fabric to make the screen surface completely flat and wrinkle-free.

The PX screen fabric material is durable and easy to clean with wet cloth. It has a high quality coating which projects colourful images beautifully. No matter where you are sitting the projection is balanced throughout the room from any angle. We highly recommend this screen to the movie enthusiasts.

What is included Make sure all hardware is inside before proceeding with the installation

A X8



B

100" x 80
120" x 100



C X8



D X4



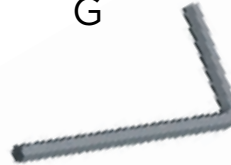
E X1



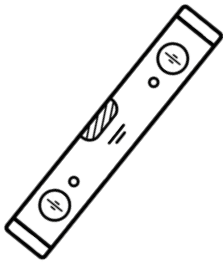
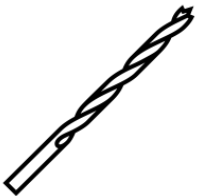
F



G



Tools required



Step 1

Place a soft-clean cloth on the ground or other flat surfaces of the area where the screen will be assembled. Carefully take everything out of the box and neatly place it on the cloth. Be extra careful when laying down the edges.



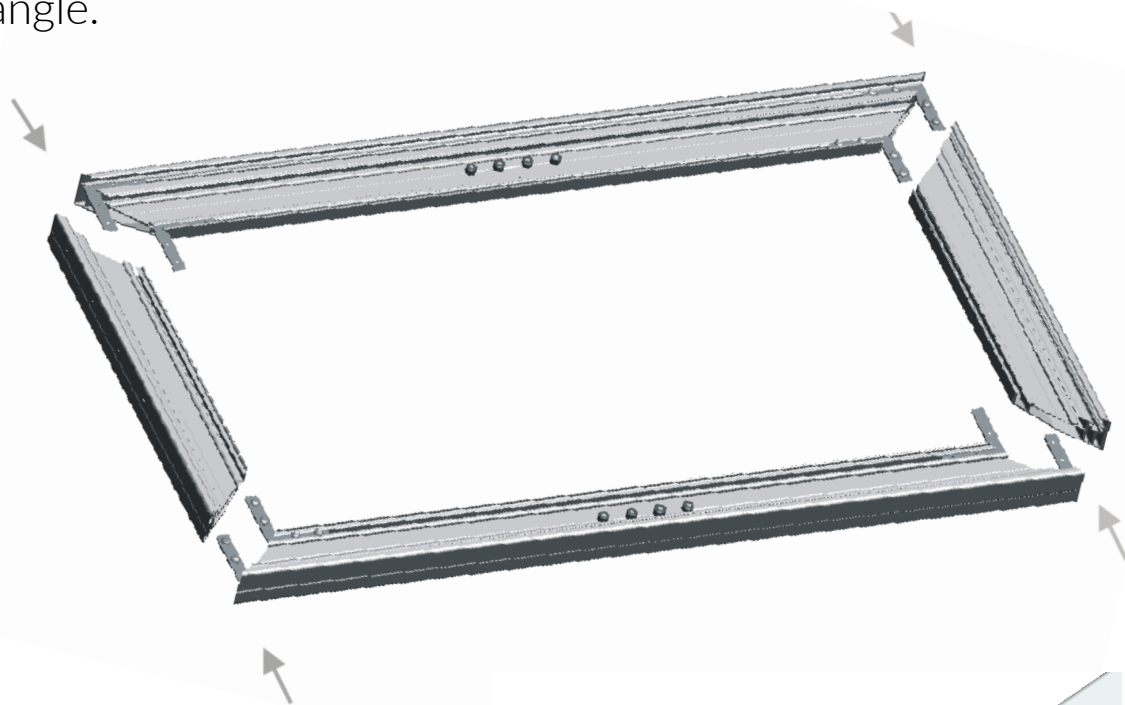
Step 2

Connect **A** to the ends of the long frames. Do not tighten completely until all frame pieces are assembled together correctly.



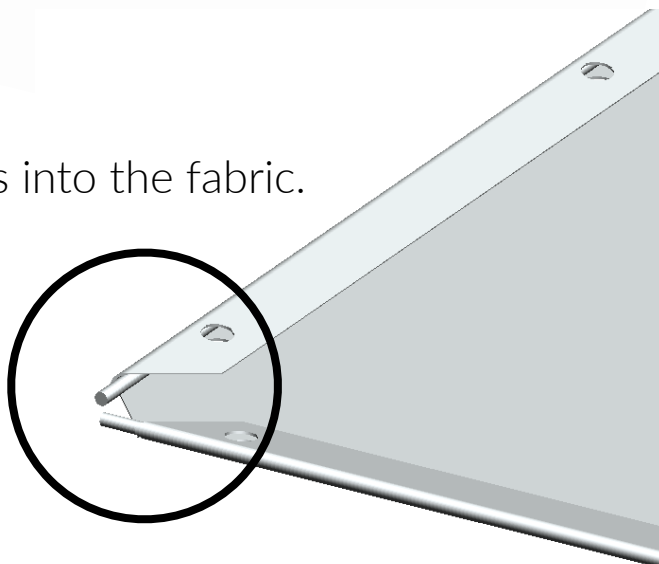
Step 3

As shown in the diagram below. Now connect the small frames to the long frame. After it's been inserted securely, you may now go in and connect **A** to the small frame and tighten it in place. Make sure all corner frame pieces are flush together (no gaps). They should form a perfect right angle.



Step 4

Now carefully insert the pipes into the fabric. Avoid tugging the material.

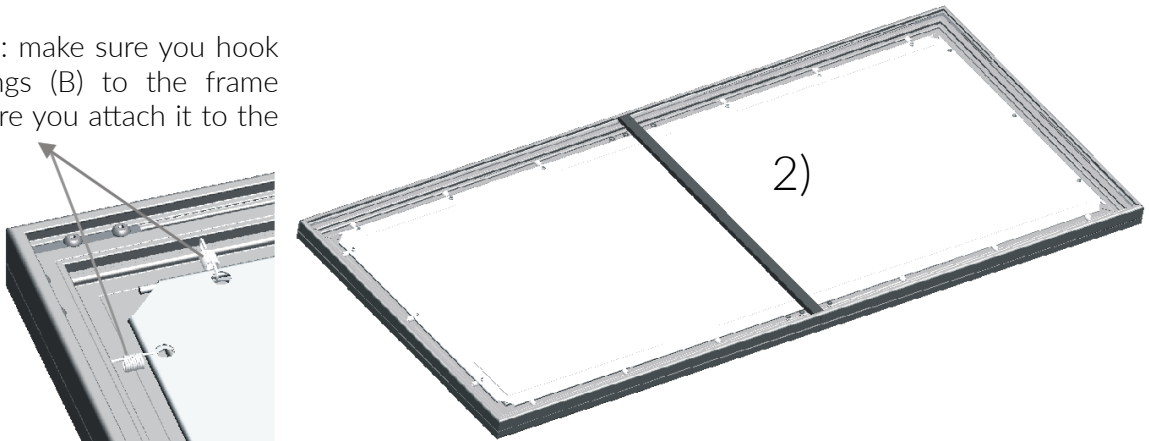


Step 5

Gently place the assembled unit face down on a clean surface as shown in the image below.

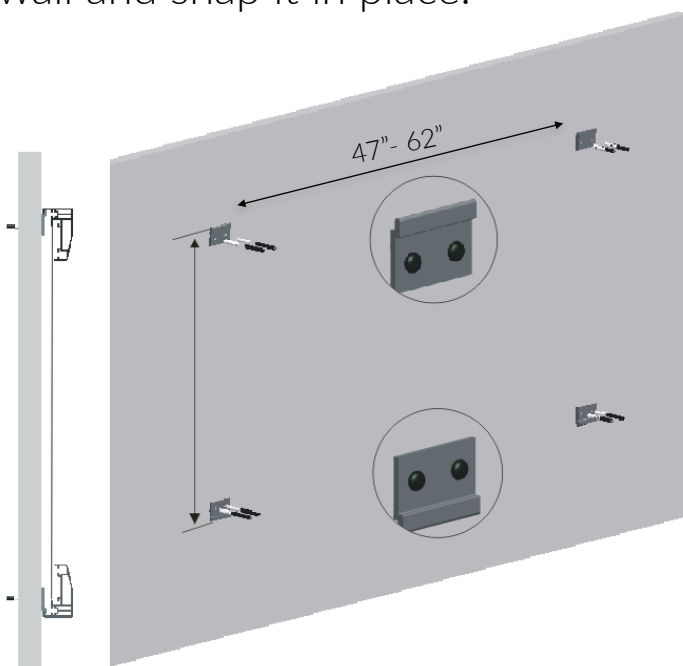
- 1) Using the tool **F** install the springs **(B)** to the four frame corners and fabric ends first.
- 2) Then place the supporting bar **(E)** in the middle area of the screen for extra support. (for large sizes only)
- 3) Then using the tool **F** again carefully assemble all the springs **(B)** to the frame and fabric. One by one.

**Please note: make sure you hook the springs (B) to the frame first before you attach it to the fabric.



Step 6

Measure and mark the hole distance area according to your screen size. Refer to the H measurement chart below. Then drill the marked areas on the wall. Install the bracket **(D)** using the screws **(C)** provided to you. With support position the fixed frame screen onto the wall and snap it in place.



** H Measurement

100": 53 inch

120": 63 inch