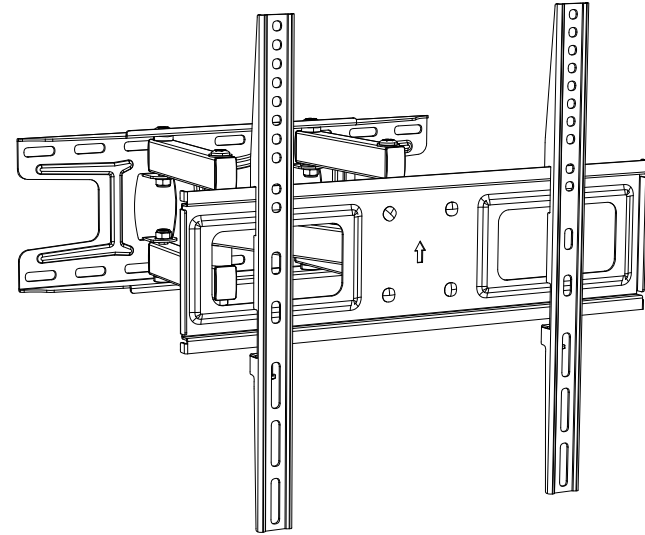
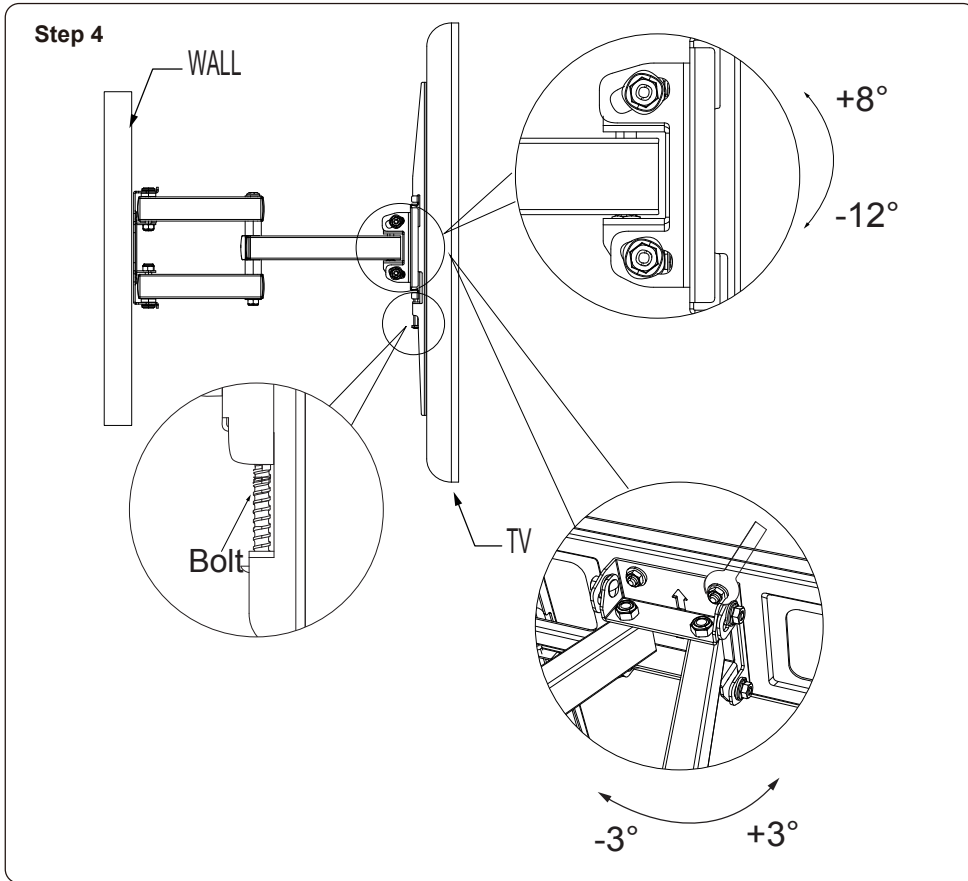


# FULL-MOTION TV WALL MOUNT



**N442**

**most**  
26" - 55"

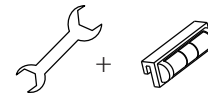
**VESA**  
Compatible  
Max 400X400

**max**  
35kg/77lbs



**CAUTION: DO NOT EXCEED MAXIMUM LISTED WEIGHT CAPACITY. SERIOUS INJURY OR PROPERTY DAMAGE MAY OCCUR!**

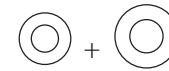
## Parts List



(A) Wrench(1)+Bubble level(1)



(B) M6x16 washers (4)



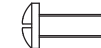
(C) M6x14 washers (4)  
+ M8x16 washers (4)



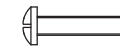
(D) M5x14 screws (4)



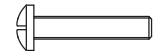
(E) M6x14 screws (4)



(F) M8x20 screws (4)



(G) M6x30 screws (4)



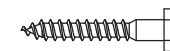
(H) M8x45 screws (4)



(I) 15mm Plastic Sleeve (4)



(J) 10x50 Plastic Anchor (4)

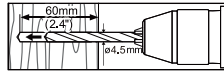


(K) M6x60 Self-tap Screw (4)



www.texonic.ca

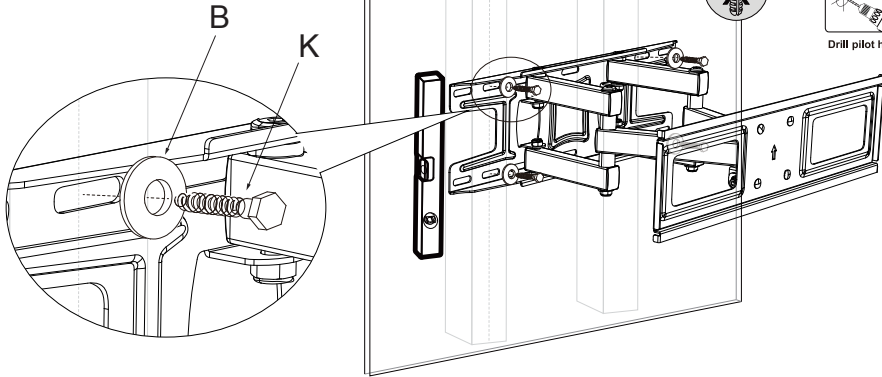
### Step 1-a For Wood Stud Wall Mounting



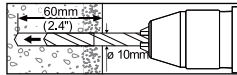
Find and mark the exact location of mounting holes



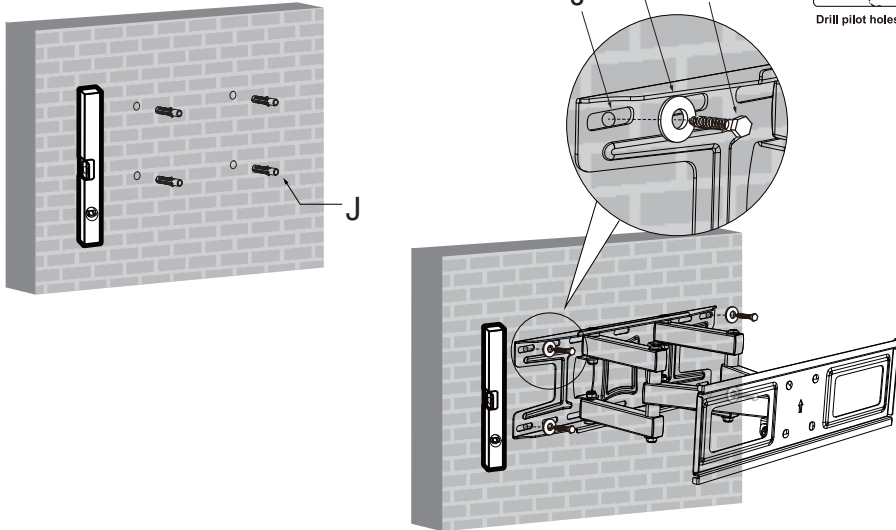
Drill pilot holes



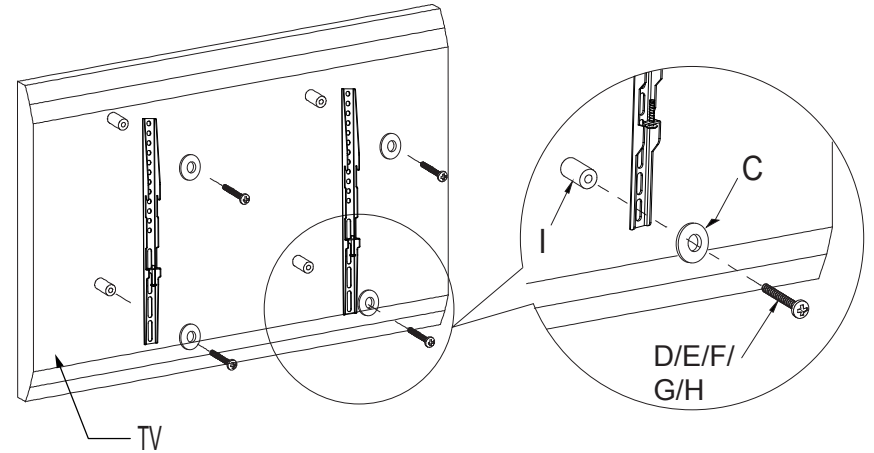
### Step 1-b For Solid Brick and Concrete Mounting



Drill pilot holes



### Step 2 Installing the Display



### Step 3 Installing the Display

