



**CORE CUT  
PARTS LIST**

**CC1200XL  
CONCRETE SAW**

# GENERAL SAFETY WARNINGS AND PRECAUTIONS

## PERSONAL SAFETY

- Read and understand all operating instructions before attempting to operate the saw.
- Always wear safety approved hearing, eye, head and respiratory protection.
- Always wear sturdy boots with non-slip soles to ensure proper footing. Use of steel toed safety boots is recommended.
- Due to the nature of concrete cutting, sparks may be generated therefore never wear clothing that is made of flammable material.
- Know how to stop the saw quickly in case of emergency.
- Keep all parts of your body away from the blade and all other moving parts.
- Use caution and follow all instructions when loading and unloading the saw.

## BLADE SAFETY

- Examine cutting blades before each use. Blade should have no cracks, nick, or flaws. The center hole must be undamaged. Use only blades recommended for your particular model saw.
- The saw should only be used for cutting material that is specified on each cutting blade. Read the instructions provided with each blade to determine which material the blade is designed to cut.
- Use only reinforced abrasive blades or steel centered diamond blades manufactured for use on concrete saws.
- Inspect blade flanges for damage, excessive wear and cleanliness before mounting the blade. The blade must fit snugly on the clean, undamaged blade shaft.
- Observe the specified maximum speed of the blade. Never use a blade that has a lower maximum operating speed than the blade shaft speed.
- The ignition governor is designed to limit the maximum no-load engine speed. Speeds in excess of that may cause the blade to exceed the maximum blade speed. Do not operate the unit at speeds greater than the maximum blade speed.
- Always keep guards in place and never allow the blade exposure on the guard to exceed 180 degrees. Repair or replace damaged guards immediately.
- Never expose anyone to the direct line of the blade.
- Make sure that the blade does not come in contact with the ground or any other surface when transporting the saw.

## GENERAL SAW SAFETY

- The saw must never be left unattended when the engine is running.
- Keep both hands on the handles when operating the saw.
- Never operate the saw if there is a fuel leak.
- Use extreme caution and slow speed when using the self propelled drive to move the saw up or down ramps or when loading and unloading from trucks or trailers. When going down ramps, DRIVE the saw forward slowly. When going up ramps, BACK the saw in reverse slowly.

## CUTTING / WORK AREA SAFETY

- Never operate the saw in any application or job in which you are not trained or supervised.
- Always ensure that the work area does not contain any buried or embedded electrical lines, gas lines or water lines. Ensure that all electricity in the ground, floor, walls or ceilings is shut off prior to cutting. Ensure that all gas and water lines that may be buried or embedded in the ground, floor, walls or ceilings are shut off prior to cutting.
- Operate the saw only in well ventilated areas. Engine exhaust contains carbon monoxide which can cause loss of consciousness and death.
- Keep bystanders and animals out of the work area.
- Observe all safety regulations for the safe handling of fuel. Store fuel in appropriate safety containers. Shut off the engine and allow it to cool prior to fueling. Wipe off any spilled fuel. Always move away from the fueling area prior to starting saw.
- Do not operate the saw in areas which contain combustible material or fumes. Sparks may occur from cutting that could cause a fire or explosion.

***Concrete cutting as all construction work is inherently dangerous!***

***Failure to comply with the preceding warnings could result in serious bodily injury!***

## Table of Contents

<u>Description</u>	<u>Page No.</u>
Common Parts.....	4 - 5
Front Axle Assembly.....	6
Screw Feed Assembly.....	7
Engine Assemblies.....	8 - 9
Blade Shaft Assembly.....	10
Water Tank Option.....	11
Blade Guard Assemblies.....	12-13
Warranty.....	16

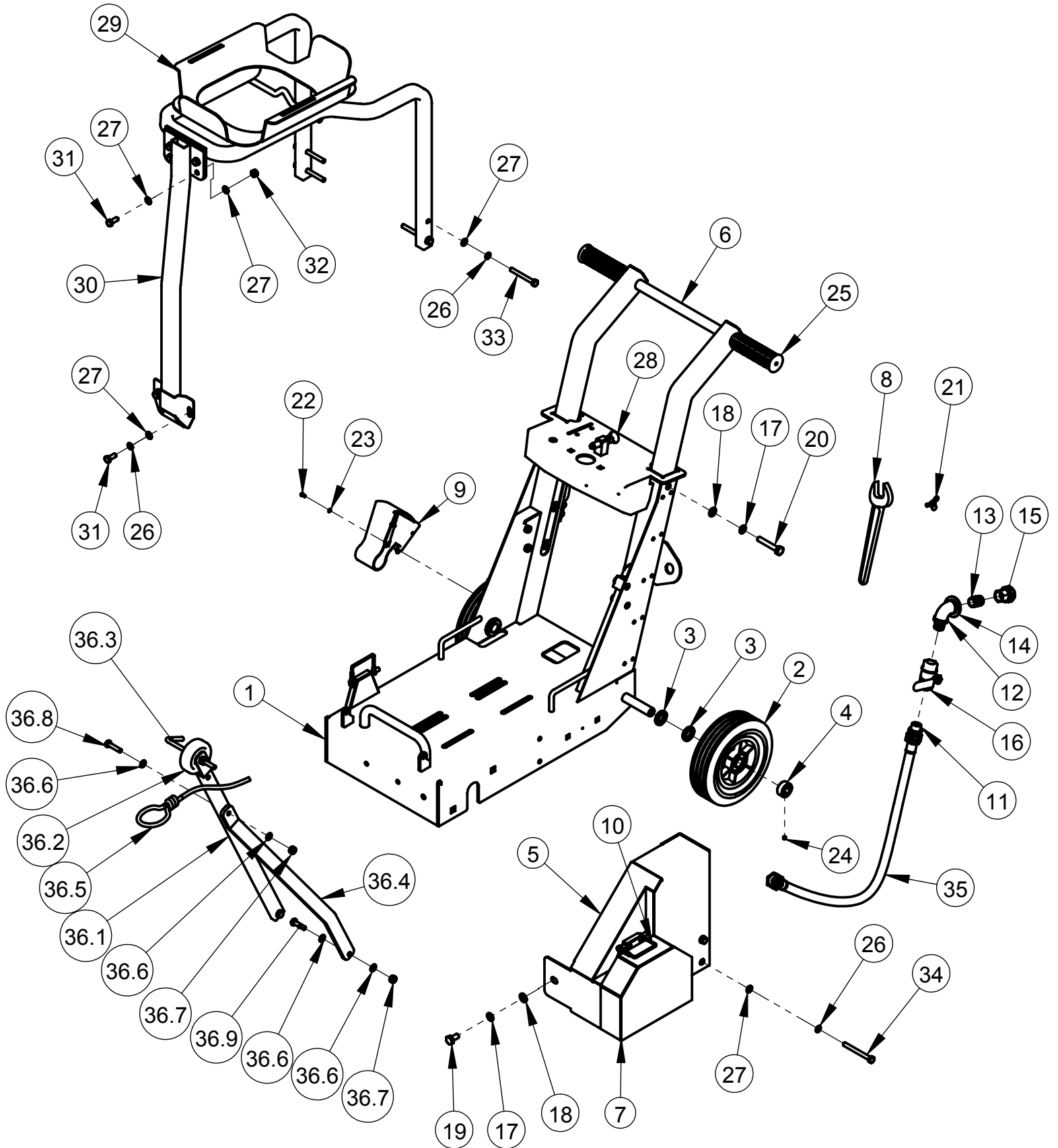
## Quick Reference Service: Filters & Belts

<u>DP Part No.</u>	<u>Description</u>	<u>Manufacturer's Part No.</u>
2702018	Air Filter for 8 & 11 HP Honda	(Honda #17210-ZE3-505)
2703421	Air Filter for 13.5 HP Briggs	(Briggs # 5911338)
2703422	Fuel Filter for 13.5 HP Briggs	(Briggs #797346)
2502000	Belt for all engines	(Gates #Micro-V 280J20)

## Decals

<u>DP Part No.</u>	<u>Description</u>
6043482	CC1200 Depth Scale Decal
1802733	CC1200XL Belt Guard Decal
1800791	CC1200XL Control Panel Decal

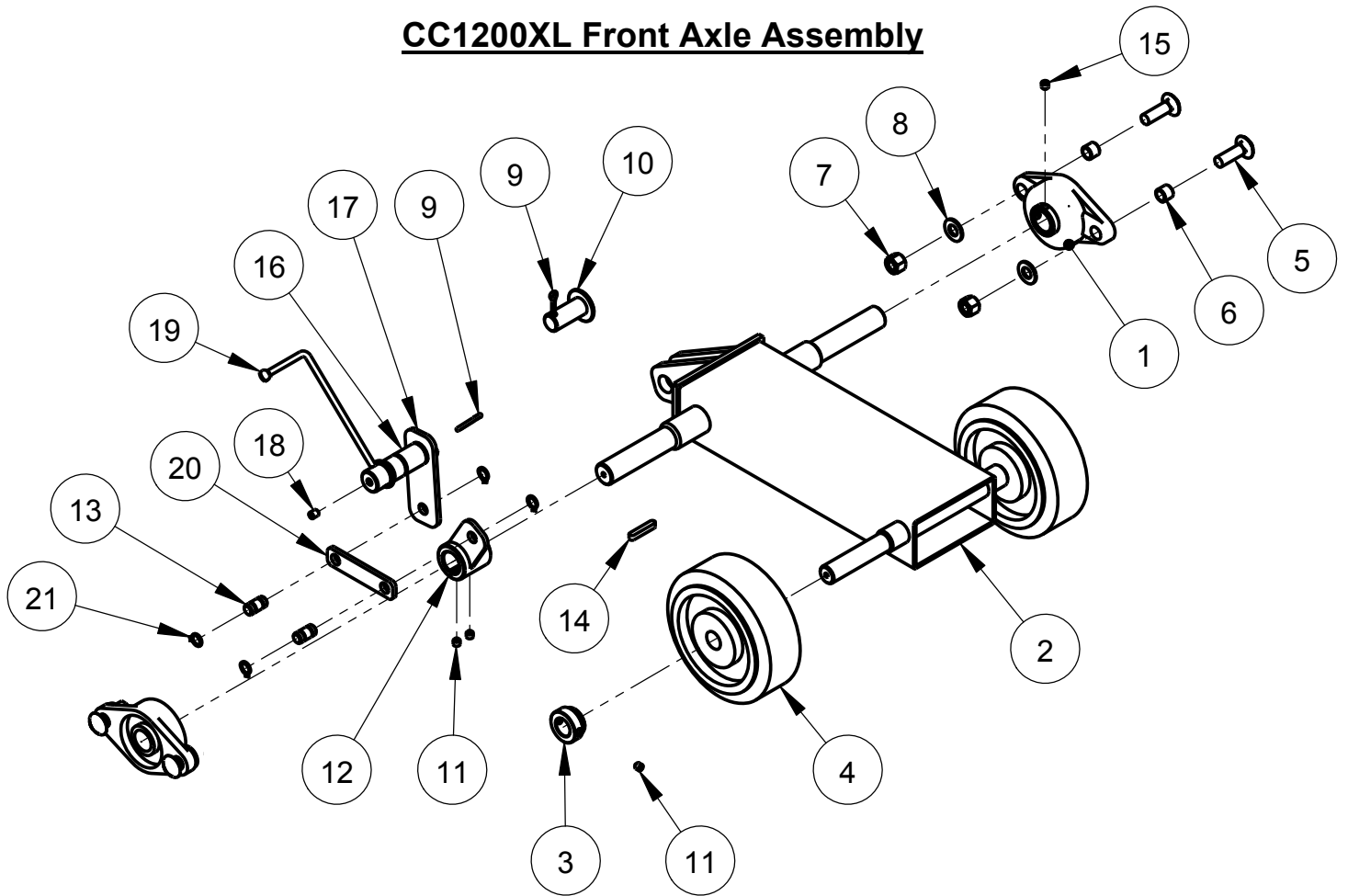
# CC1200XL Common Parts



## CC1200XL Common Parts

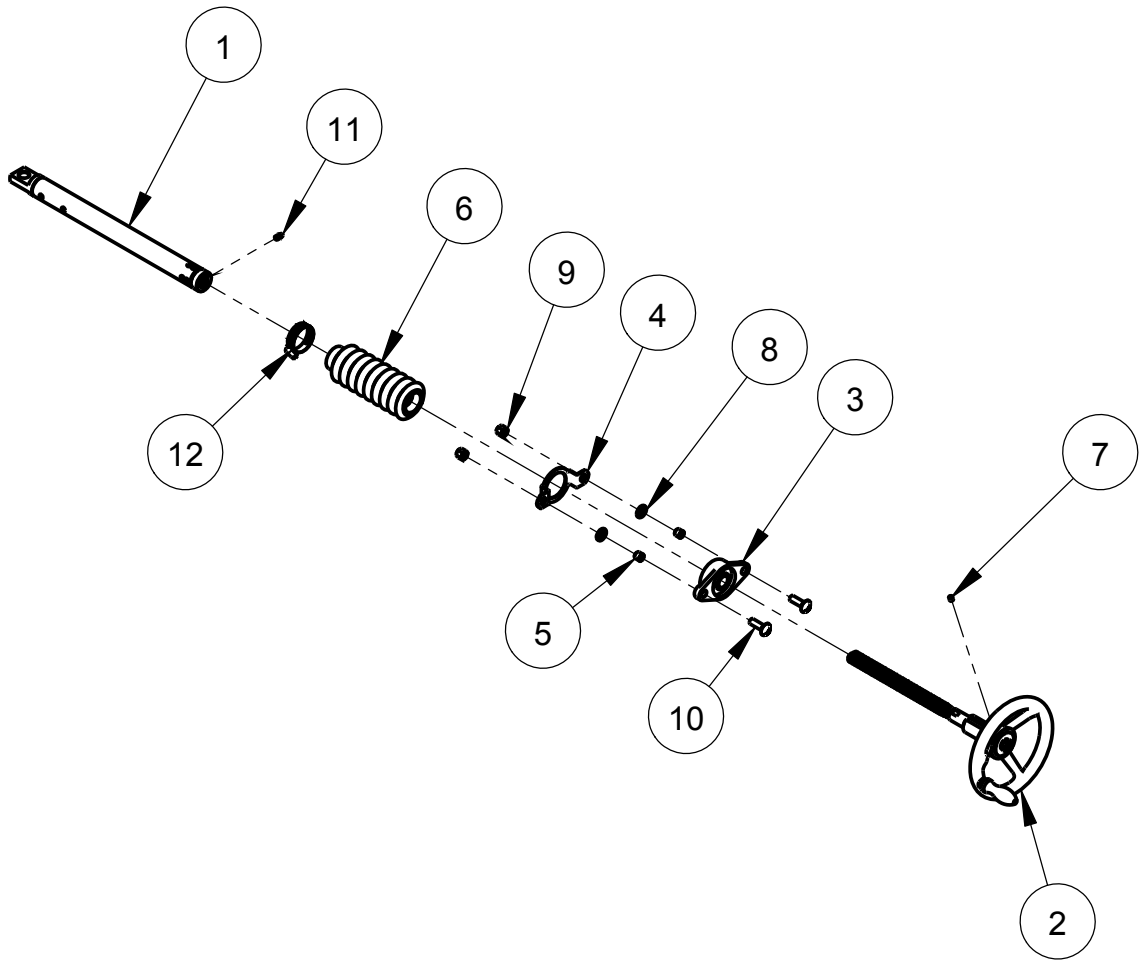
ITEM	PART NO.	QTY.	DESCRIPTION
1	6043560	1	Main frame weldment
2	2501439	2	8" Wheel
3	6043468	4	D32 d19 X 5L Spacer
4	6043467	2	d19.05 Set collar
5	6043438	1	Belt guard weldment
6	6043409	1	Push handle weldment
7	6043441	1	Guard weldment
8	2500256	2	Wrench, 1-1/16" Open End
9	6043562	1	Depth guage indicator
10	2901959	2	Pin, Lock 5/16"
11	3200155	1	Fitting, 1/2" M. Pipe to 3/4" M. Garden
12	3200209	1	Pipe Elbow, 1/2" Female
13	3200008	2	Close Nipple, 1/2" NPT
14	2900425	1	Flat Washer, 7/8" SAE
15	3200022	1	Fitting, 1/2" F. Pipe to 3/4" F. Garden
16	3200027	1	Water Valve
17	2900321	3	Lock Washer, M10 Split
18	2901356	3	Flat Washer, M10
19	2900314	1	Cap Screw, Hex Hd., M10-1.5 x 20mm
20	2900338	2	Cap Screw, Hex Hd., M10-1.5 x 60mm
21	2900307	2	Wing Screw, M6 x 16mm
22	2900761	4	Cap Screw, Soc. Hd., M4-0.7 x 8mm Low head
23	2900762	4	Lock Washer, M4 Split
24	2903245	4	Set Screw, Soc. Hd., M6-1.0 x 6mm
25	2500001	2	7/8" Handle Grip
26	2900763	9	Lock Washer, M8 Split
27	2901336	17	Flat Washer, M8
28	6043422	1	Quick release lock pin
29	6043564	1	Platform Weldment
30	6043565	1	Support Column
31	2900329	6	Cap Screw, Hex Hd., M8-1.25 x 20mm
32	2900303	4	Lock Nut, M8-1.25 Nylon Insert
33	2900777	1	Cap Screw, Hex Hd., M8-1.25 x 70mm
34	2901141	5	Cap Screw, Hex Hd., M8-1.25 x 80mm
35	6011055	1	Water Hose Assembly 30"
36	6043566	1	Front pointer assembly
36.1	6043403	1	Pointer Weldment-Straight
36.2	2705796	1	75mm wheel
36.3	2705797	1	M10 Pointer Rod
36.4	6043428	1	30 X 15 Pointer tube brace
36.5	6043404	1	point rope
36.6	2901336	10	Flat Washer, M8
36.7	2900303	5	Lock Nut, M8-1.25 Nylon Insert
36.8	2900760	2	Cap Screw, Hex Hd., M8-1.25 x 35mm
36.9	2900313	1	Cap Screw, Hex Hd., M8-1.25 x 30mm

## CC1200XL Front Axle Assembly



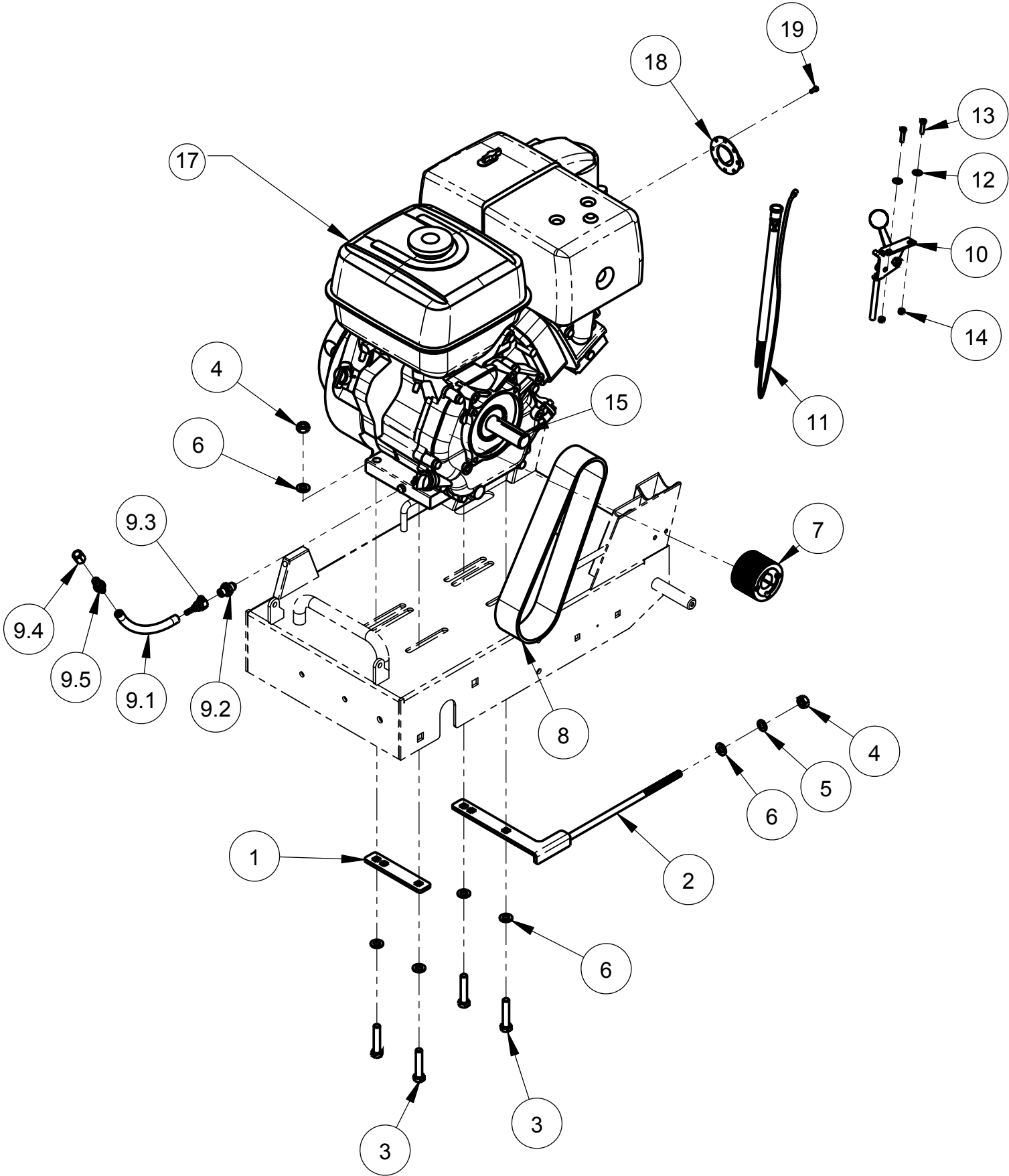
ITEM	PART NO.	QTY.	DESCRIPTION
1	6043479	2	UCFL204-12 3/4" Flange caster bearing
2	6043559	1	Front Axle Weldment
3	6043444	2	d17 Set collar
4	6043443	2	Wheel, 5" Dia.
5	2900046	4	Carriage Bolt, 3/8-16 x 1-1/4"
6	6043478	4	D12 d9.5 X 10L Bushing
7	2900018	4	Locknut, 3/8-16, Nylon
8	2900014	4	Flat Washer, 3/8" SAE
9	2900004	2	Cotter Pin, 1/8" x 1"
10	6043439	1	Clevis Pin, 16 x 39mm
11	2903245	6	Set Screw, Soc. Hd., M6-1.0 x 6mm
12	6043474	1	Carriage reference fixture
13	6043470	2	Pin
14	6043475	1	Key, 5 Sq. x 35mm
15	2900381	4	Set Screw, Soc. Hd., 1/4-28 x 1/4"
16	6043431	1	Axle Depth Indicator
17	6043471	1	Upper linkage for depth indicator
18	2900576	1	Set Screw, Soc. Hd., M6-1.0 x 8mm
19	6043563	1	Depth Pointer
20	6043472	1	Lower linkage for depth indicator
21	6043473	4	Retaining Ring, M10

## CC1200XL Screw Feed Assembly



ITEM	PART NO.	QTY.	DESCRIPTION
1	6043484	1	Adjustment shaft
2	6043476	1	Depth control crank
3	6043479	1	UCFL204-12 3/4" Flange caster bearing
4	6043480	1	Bellow mount washer
5	6043478	2	D12 d9.5 X 10L Bushing
6	6043481	1	Bellow, 25P;Ø40*Ø64*450L(MAX)
7	2900576	1	Set Screw, Soc. Hd., M6-1.0 x 8mm
8	2900014	2	Flat Washer, 3/8" SAE
9	2900018	2	Locknut, 3/8-16, Nylon
10	2900046	2	Carriage Bolt, 3/8-16 x 1-1/4"
11	2900614	1	Grease Fitting, 1/4-28 Str. Thrd
12	3202142	1	Hose Clamp #24

# CC1200XL Engine Assembly

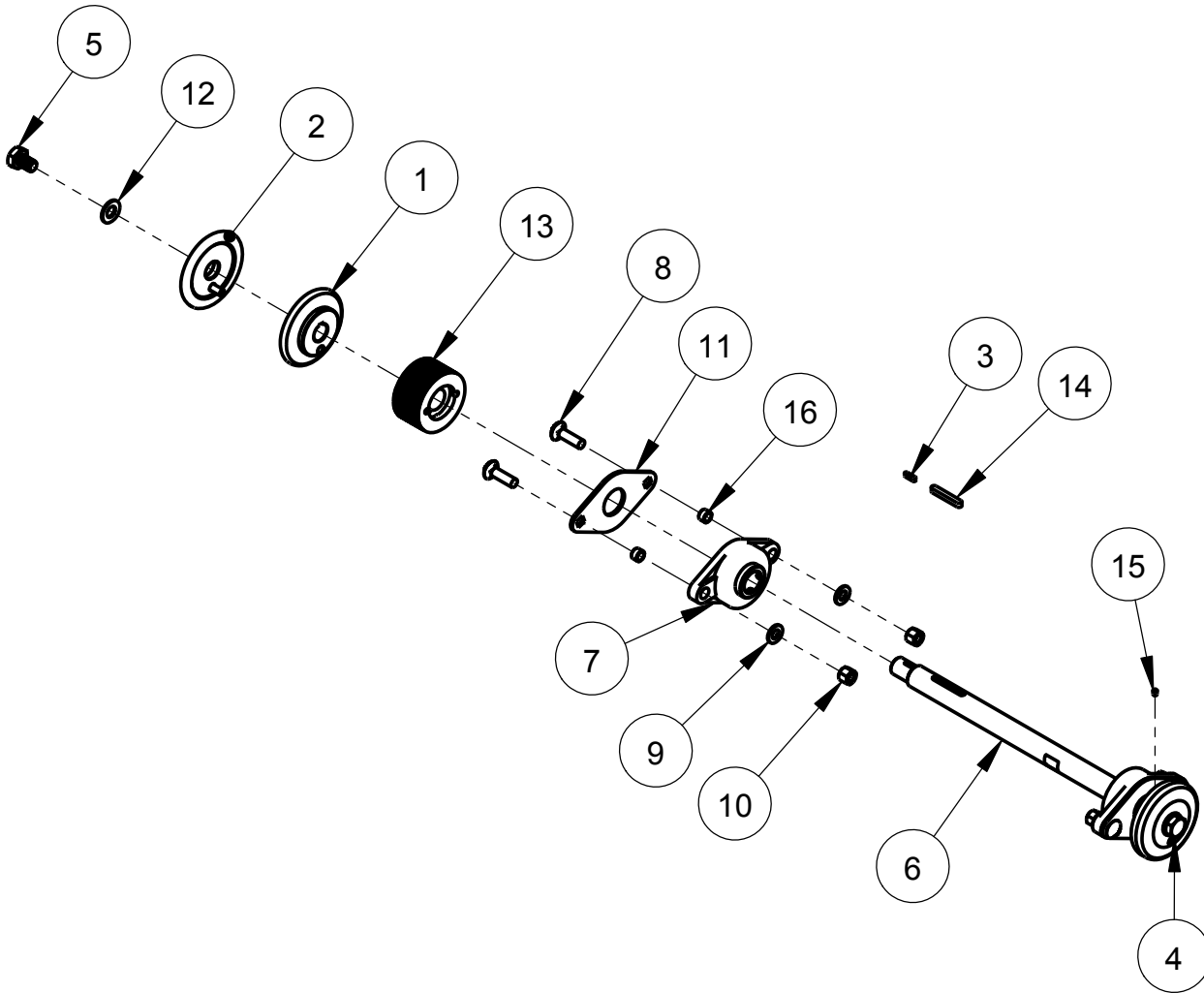




## CC1200XL Engine Assembly

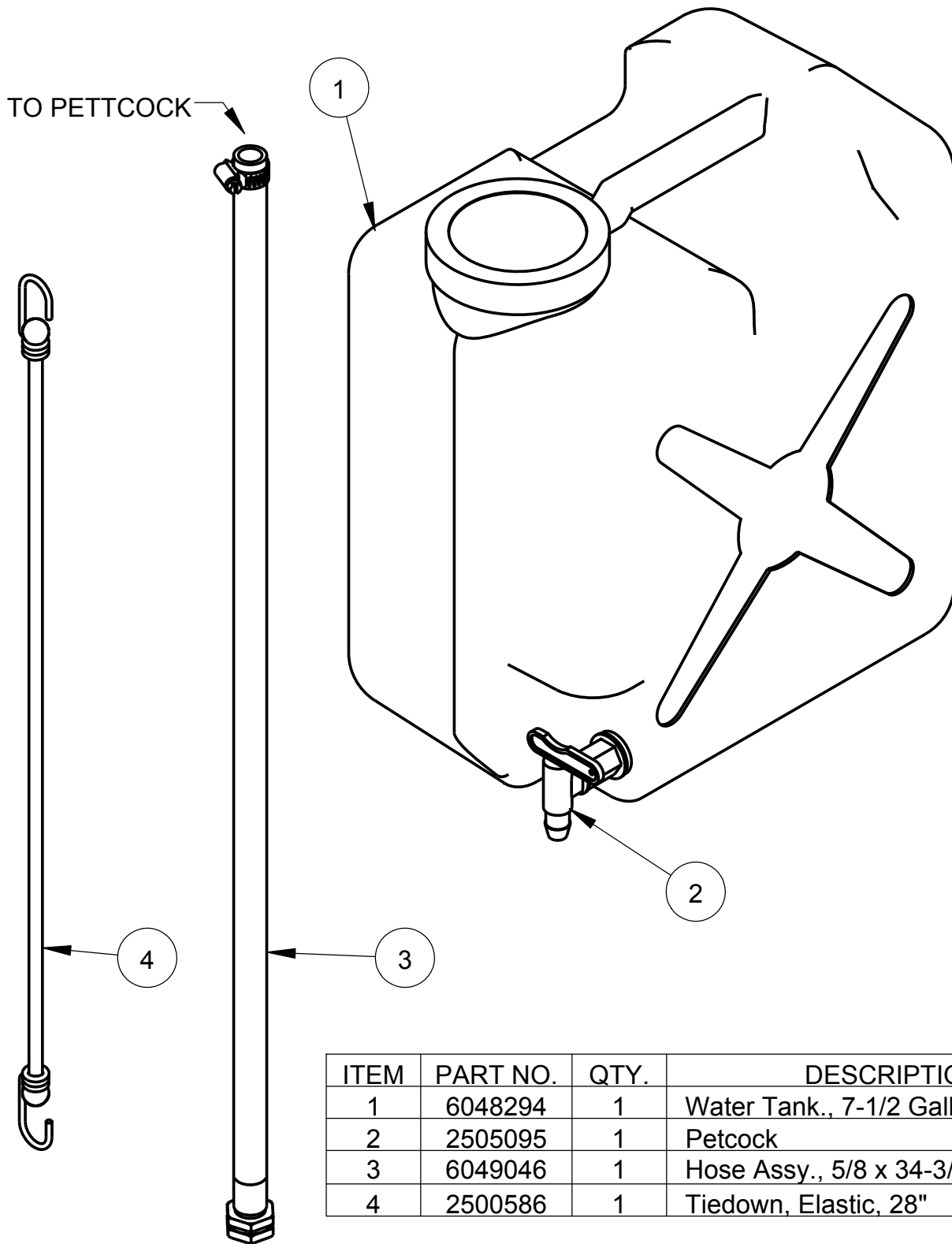
ITEM	PART NO.	QTY.	DESCRIPTION
1	6043435	1	Belt adjustment bracket
2	6043561	1	Motor tensioning plate
3	2900318	4	Cap Screw, Hex Hd., M10-1.5 x 50mm
4	2900325	5	Hex Nut, M10-1.5
5	2900321	1	Lock Washer, M10 Split
6	2901356	9	Flat Washer, M10
7	6043417	1	1" (25.4mm) Bore micro-V pulley (D65mm)
8	2502000	1	Micro-V Belt, 280J20
9	6048029	1	Oil Drain Assembly
9.1	6048289	1	1/4" x 6.00" Oil Drain Hose
9.2	3200539	1	Adapter, M12x1.5 Male to 5/16" M. JIC
9.3	3200540	1	Fitting, 5/16" F. JIC to 1/4" Pushlock
9.4	3200006	1	Cap, 1/4" JIC
9.5	3200040	1	Fitting, 1/4" M. JIC to 1/4" Push Lock
10	2502505	1	Throttle Control, 20"
11	6048789	1	Wire Harness, Stop Switch
12	2900016	2	Flat Washer, #10 USS
13	2900309	2	Cap Screw, Hex Hd., M5-0.8 x 20mm
14	2900301	2	Lock Nut, M5-0.8 Nylon Insert
15	6048134	1	Key, 1/4" Sq. x 2-1/4"
17	2600160	1	Engine, 8HP Honda GX270
	2600116	1	Engine, 11HP Honda GX390
	2600689	1	Engine, 420cc Briggs
	2601711	1	Engine, 9HP Lifan
	2601707	1	Engine, 15HP Lifan
18	2700554	1	Muffler Deflector, Honda & Lifan
	2703419	1	Muffler Deflector, Briggs
19	2900206	8	Screw, Self Tapping, #8-32 x 3/8", Honda & Lifan
	2703420	3	Screw for Muffler Deflector, Briggs

## CC1200XL Blade Shaft Assembly



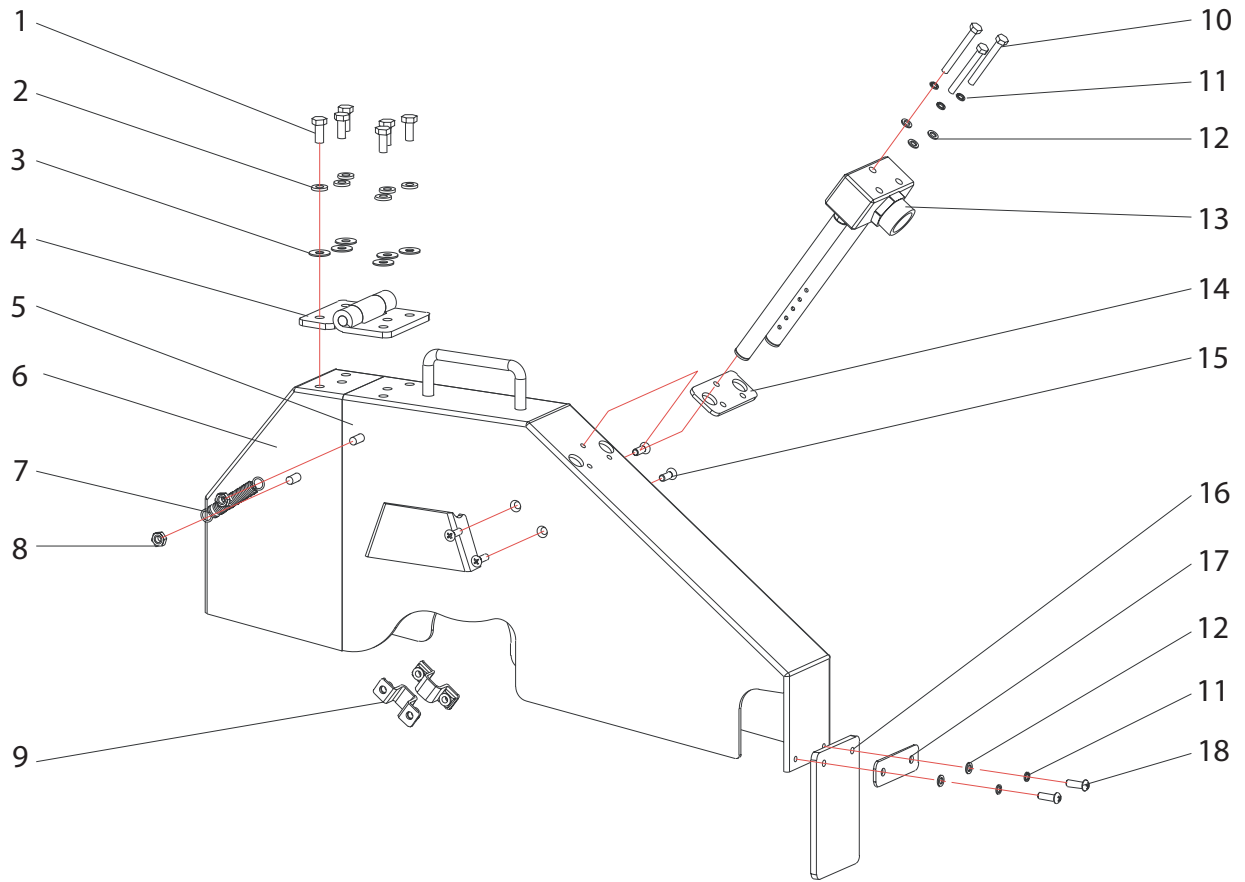
ITEM	PART NO.	QTY.	DESCRIPTION
1	6043457	2	Inner flange
2	6043458	2	Outer flange w/pin assembly
3	6043448	2	Key, 5 Sq. x 20mm
4	2903210	1	Cap Screw, Hex Hd., 5/8-11 x 1" LH
5	2903209	1	Cap Screw, Hex Hd., 5/8-11 x 1"
6	6043446	1	Blade shaft
7	2504038	2	Flange Bl. Bearing UCFL207-20
8	2900764	4	Carriage Bolt, 1/2-13 x 1-3/4"
9	2900058	4	Flat Washer, 1/2" SAE
10	2900026	4	Lock Nut, 1/2-13 Nylon
11	6043454	2	Bearing spacer
12	2900002	2	Flat Washer, 5/8" SAE
13	6043456	1	1-1/4" (31.75mm) Bore micro-V pulley (D90mm)
14	6043447	1	Key, 8 x 7 x 56mm
15	2900576	2	Set Screw, Soc. Hd., M6-1.0 x 8mm
16	6043453	4	D16 d12.7 X 10L Bushing

**WATER TANK KIT 7.5 GALLON #6049047**

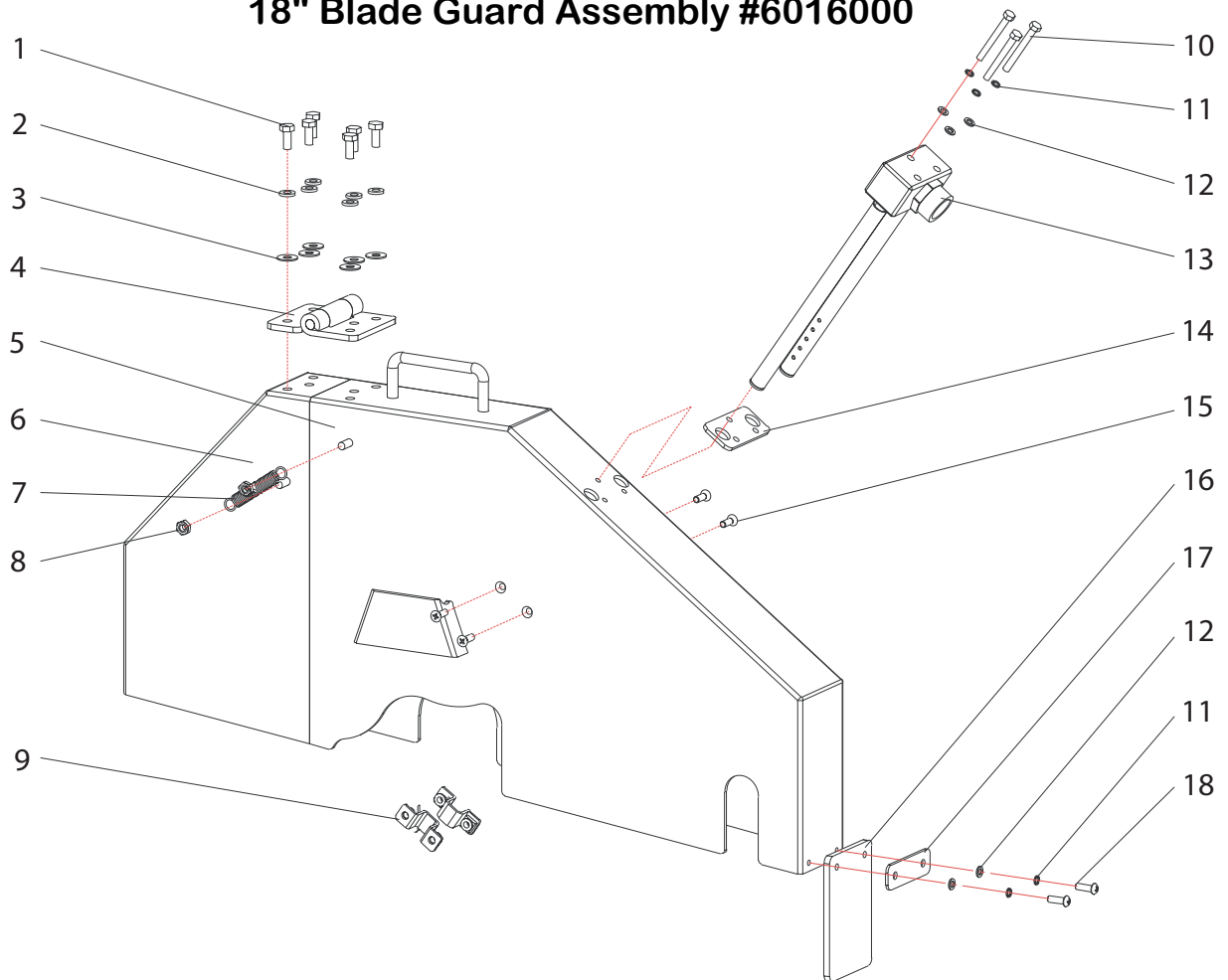


ITEM	PART NO.	QTY.	DESCRIPTION
1	6048294	1	Water Tank., 7-1/2 Gallon
2	2505095	1	Petcock
3	6049046	1	Hose Assy., 5/8 x 34-3/4", Water
4	2500586	1	Tiedown, Elastic, 28"

### 14" Blade Guard Assembly # 6016001



### 18" Blade Guard Assembly #6016000



item	Part No.	Description	Qty
1	2900341	Cap screw hex Hd. M6x16	6
2	2900765	Spring Washer, M6	6
3	2900009	Washer, M6	6
4	6043515	Hinge	1
5	6043526	14" Blade Guard, Back	1
5	6043498	18" Blade Guard, Back	1
6	6043516	14" Blade Guard, Front	1
6	6043499	18" Blade Guard, Front	1
7	2500066	Spring	1
8	2900302	Lock Nut Nylon, M6	2
9	6043519	Water Tube Clamp	2
10	2900766	Capscrew, M5*45L	3
11	2900767	Spring Washer, M5	5
12	2900926	Washer, M5	5
13	6043523	14" Manifold	1
13	6043506	18" Manifold	1
14	2500829	Manifold Gasket	1
15	2900768	Screw, M5*15L	4
16	6043527	Splash Flap	1
17	2900767	Washer, M5 Lock	1
18	2900769	Screw, M5*15L	2

Intentionally Blank



## EQUIPMENT AND PARTS WARRANTY

Diamond Products warrants all equipment manufactured by it against defects in workmanship or materials for a period of one (1) year from the date of shipment to Customer.

The responsibility of Diamond Products under this Warranty is limited to replacement or repair of defective parts at Diamond Products' Elyria, Ohio factory, or at a point designated by it, of such parts as shall appear to us upon inspection at such parts, to have been defective in material or workmanship, with expense for transportation and labor borne by Customer.

In no event shall Diamond Products be liable for consequential or incidental damages arising out of the failure of any Product to operate properly.

Integral units such as engines, electric motors, batteries, transmissions, etc., are excluded from this Warranty and are subject to the prime manufacturer's warranty.

**THIS WARRANTY IS IN LIEU OF ALL OTHER WARRANTIES, EXPRESSED OR IMPLIED, AND ALL SUCH OTHER WARRANTIES ARE HEREBY DISCLAIMED.**



333 Prospect Street, Elyria, Ohio 44035  
(440) 323-4616 • (800) 321-5336 • Fax (440) 323-8689  
[www.diamondproducts.com](http://www.diamondproducts.com)