

TEXAS PNEUMATIC TOOLS, INC.

Service, Operation AND Parts Manual

TX456 NEEDLE / CHISEL SCALERS



TOOL SPECIFICATIONS

PART #	WEIGHT	SHIPPING WT. BOX OF 6	LENGTH	CFM CONSUMED	BORE	STROKE	BPM	INLET	MINIMUM HOSE SIZE
TX456-CS	4.2 lbs.	27.35 lbs.	10.25" wo/ chisel 15.5" w/ chisel	13 CFM	15/16"	1"	4300	1/4" NPT	3/8"
TX456-NS	6.3 lbs.	40.25 lbs.	18.25" w/ 7" needle	13 CFM	15/16"	1"	4300	1/4" NPT	3/8"
STANDARD EQUIPMENT:		With Needle Scaler:	1 set 7" Scaler Needles (19)						
		With Chisel Scaler:	1 - 7" Flat Chisel						
DESCRIPTIVE SUFFIXES:		NS = Needle Scaler	CS = Chisel Scaler						
NOTE: These parts are not Chicago Pneumatic ("CP") parts. Texas Pneumatic Tools, Inc. manufactures these quality replacement parts for the TX456 scalers using the CP part number for ease of reference.									

~ Made in U.S.A. ~

www.airtools.com

Email: tptinfo@airtools.com

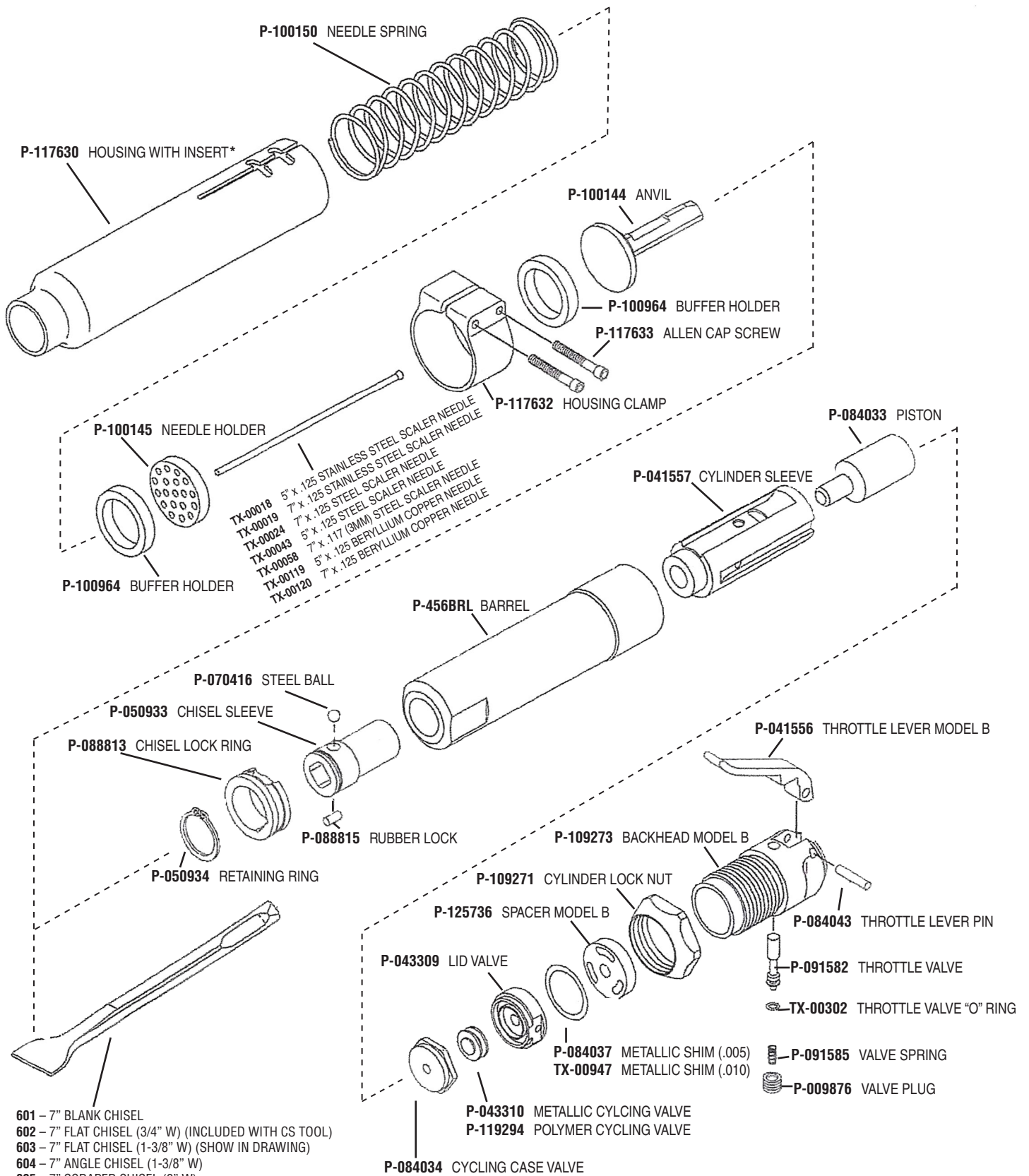
TEXAS
1-800-231-9740
254-587-2533 (Int'l calls)

NEVADA
1-800-858-1222

VIRGINIA
1-800-626-1091

MICHIGAN
1-877-575-5733

TX456 NEEDLE / CHISEL SCALERS



*NS NS11-25 Insert for Housing (inside housing)

Service and Operations

AIR SUPPLY

For efficient performance, a regulated supply of clean, dry air is required (90 psi at the tool). Most air tools will give superior service if the air is moisture free and lubricated, plus down time will be minimized. If the compressor is pumping excessive water, a cooler or moisture separator should be attached to the compressor or air line. A filter, pressure regulator and Texas Pneumatic in-line lubricator (TX-0L) should be part of the air line system to the tool. The air supply line should be a minimum 3/8" I.D. hose with no restrictive couplings or fittings in the hose line. If quick disconnect air couplings are used, they should definitely be separated from the tool by the use of a hose whip (TX-IHW).

LUBRICATION

An in-line lubricator such as the Texas Pneumatic TX-0L is recommended. If an automatic lubricator is not used, it is recommended before using and after 2-3 hours use, to pour several drops of oil into the air inlet port. Texas Pneumatic lubricating oil (TX-PL001) or 5 wt. oil of good grade is recommended. A heavy oil will cause loss of power and efficiency. In the matter of preventative maintenance, Texas Pneumatic tool flush (TX-TF001) or similar solvent can be used to flush the tool. Add a couple of teaspoons to the air inlet port and operate the tool for a few seconds. It may be necessary to do this several times. The above should be done anytime the scaler becomes sluggish or erratic or stops working. Flushing of the tool will most likely remove any foreign particles. After flushing and always before storage (this is most important if the air line has excessive moisture), the tool should be re-lubricated to prevent rust which will cause the tool to malfunction.

PREPARING FOR OPERATION

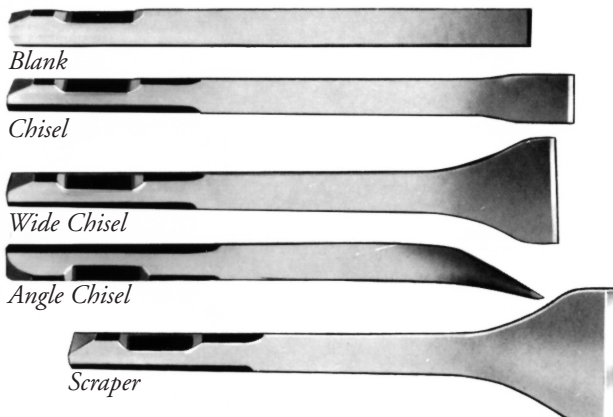
The TX456 is convertible and can be used either as a chisel or as a needle scaler depending on the application. To remove the chisel, rotate the chisel lock ring (P-088813) counter clockwise and pull out the chisel. To place the chisel in the tool, do the reverse. Make sure the slot in the chisel lines up with the steel ball (P-070416) in the chisel sleeve (P-050933). The same applies to the anvil (P-100144) or needle driver. Always operate the scaler with a chisel or needle driver in the tool and held firmly against the work surface. Damage to the cylinder or barrel (P-456BRL) and cylinder sleeve (P-041557) may occur if the tool is not held against the work surface. The backhead (P-109273) should be checked occasionally to make sure it is tight. On lever throttle scalers, Loctite is used on the throttle valve plug (P-009876) when assembled at the factory. This should not be in need of attention until the plug is removed for inspection or repair. The use of Loctite is strongly recommended when replacing the plug to prevent it from vibrating loose. The "O" ring (TX-00302) on the throttle valve (P-091582) should be replaced whenever the tool is inspected. Also, check the throttle valve spring (P-091585) and the metallic cycling valve (P-043310) to see if they appear worn. It is also possible to use a polymer cycling valve (P-119294). These valves are interchangeable.

To disassemble the tool, remove chisel or needle driver as previously described. Clamp the chisel into a vise and slide the scaler over it. Unscrew the cylinder lock nut (P-109271) until it is loose; then unscrew backhead (P-109273) and remove. Spacer (P-125736), valve parts (P-043309, P043310 or P-119294 and P-084034) and the piston (P-084033) will fall out when the tool is turned upside down. Metallic shims (P-084037 (.005) or TX-00947 (.010) may have also been used. These are for alignment purposes and allow the lever to correctly align with the barrel. To remove the cylinder sleeve (P-041557), it is necessary to press it from the front of the barrel out through the rear of the barrel. To remove the chisel sleeve (P-050933), press it from the rear of the barrel out through the front. Re-assembly is in reverse order.

VERY IMPORTANT

When installing the chisel sleeve in the tool, make sure alignment marks line up. (See Picture 1 on back) When installing the cylinder sleeve, position the slot on the bottom of the liner (See Picture 2) with the exhaust holes in the bottom of the barrel. (See Picture 3)

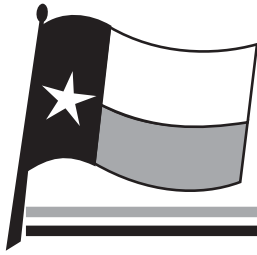
Approved safety glasses must be worn at all times when operating this or any other percussion tool. A maximum 90 psi compressed air pressure is recommended for operating this tool.



"WF" Notched Shank - 1/2" Quarter Octagon Stock for Chicago Pneumatic, Dallet, Thor, Sioux, Aro, and Keller Weld Flux Scalers.

Ordering Information			
	7"OAL	12"OAL	18"OAL
Blank	601	601-12	601-18
Chisel - 3/4" Blade	602	602-12	602-18
Wide Chisel - 1 3/8" Blade	603	603-12	603-18
Angle Chisel - 1 3/8" Blade	604	604-12	604-18
Scraper - 2" Blade	605	605-12	605-18

OTHER LENGTHS UP TO 144" ARE AVAILABLE



TEXAS PNEUMATIC TOOLS, INC.

To Our Customers...

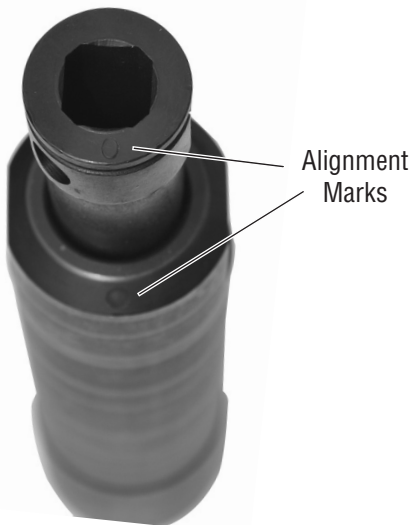
We wish to thank all of our customers for your support and patronage - from those of you who placed orders the first week we were in business to those of you who opened new accounts last week.

This company is founded on the following principles:

- 1. Quality Tools & Parts*
- 2. Value Pricing*
- 3. Fastest Response Time*

By following these key principles, we strive to serve every customer as efficiently as possible, in the hope that you will know, without doubt, how much we appreciate your business.

THANKS AGAIN FROM ALL OF US AT TEXAS PNEUMATIC!



Picture 1



Picture 2



Picture 3