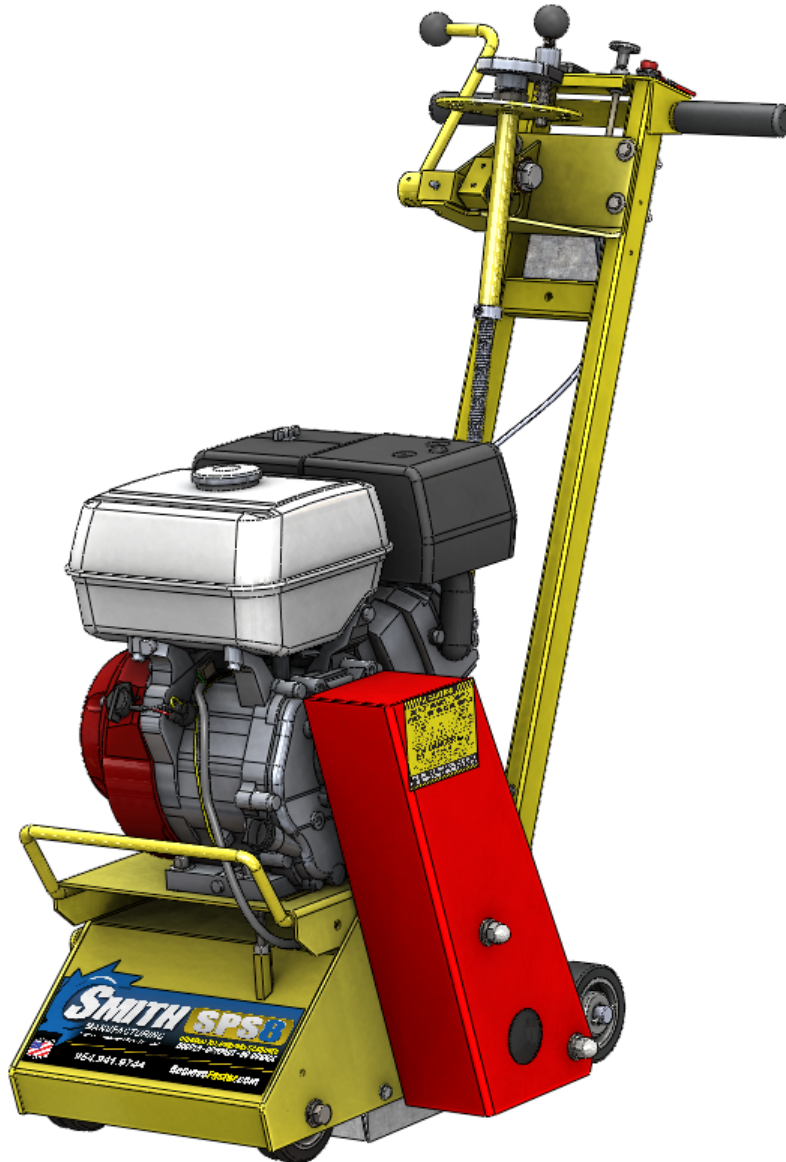


SPS8 Gas Multi-Use Surface Preparator

Parts Manual



1-800-653-9311

www.SmithMfg.com

Phone: 954-941-9744 • Fax: 954-545-0348

INDEX

Page	Contents
2	Index
3	Machine Safety and Warning Labels
4-5	Bearing & Drive System Assembly
6-7	Front Assembly
8-9	Handle Assembly (old style)
10-11	Handle Assembly (new style)
12-13	Engine & Pulley Assembly
14	Water Controls Assembly
15	Center Stand Brake Assembly
16-17	Maintenance Log - Warranty Claims
18	Limited Equipment Warranty
19	Pro-Operation Inspection - Warranty Activation

MACHINE SAFETY AND WARNING LABELS



SPS8
ORIGINAL ALL-PURPOSE
SCARIFIER

- Cutter Tool Options to:**
- Abrade • Clean • Cure • Cut • Eradicate
 - Expose • Level • Mill • Peel • Prep
 - Profile • Reduce • Remove • Route
 - Scarify • SMITH • Texture and more



TO DOUBLE PRODUCTIVITY OF YOUR SPS8, UPGRADE THE REAR WHEELS TO ACCEPT LARGER CUTTER DRUMS.

Get Desired Surface Finish Textures (CSP1 - CSP9) by selecting the right cutter drum, offset spacing pattern (F, M, C, X) and removal process we call SMITHing. Cutters can be set inline to groove and at narrower widths. Adding spacers increases cutting penetrations.

- (F) - 0 spacer (M) - 1 spacer
(C) - 2 spacers (X) - 3 spacers



RemoveFaster.com

**Belt Guard Label:
LB-50050**



Belt Guard Label: LB-50005



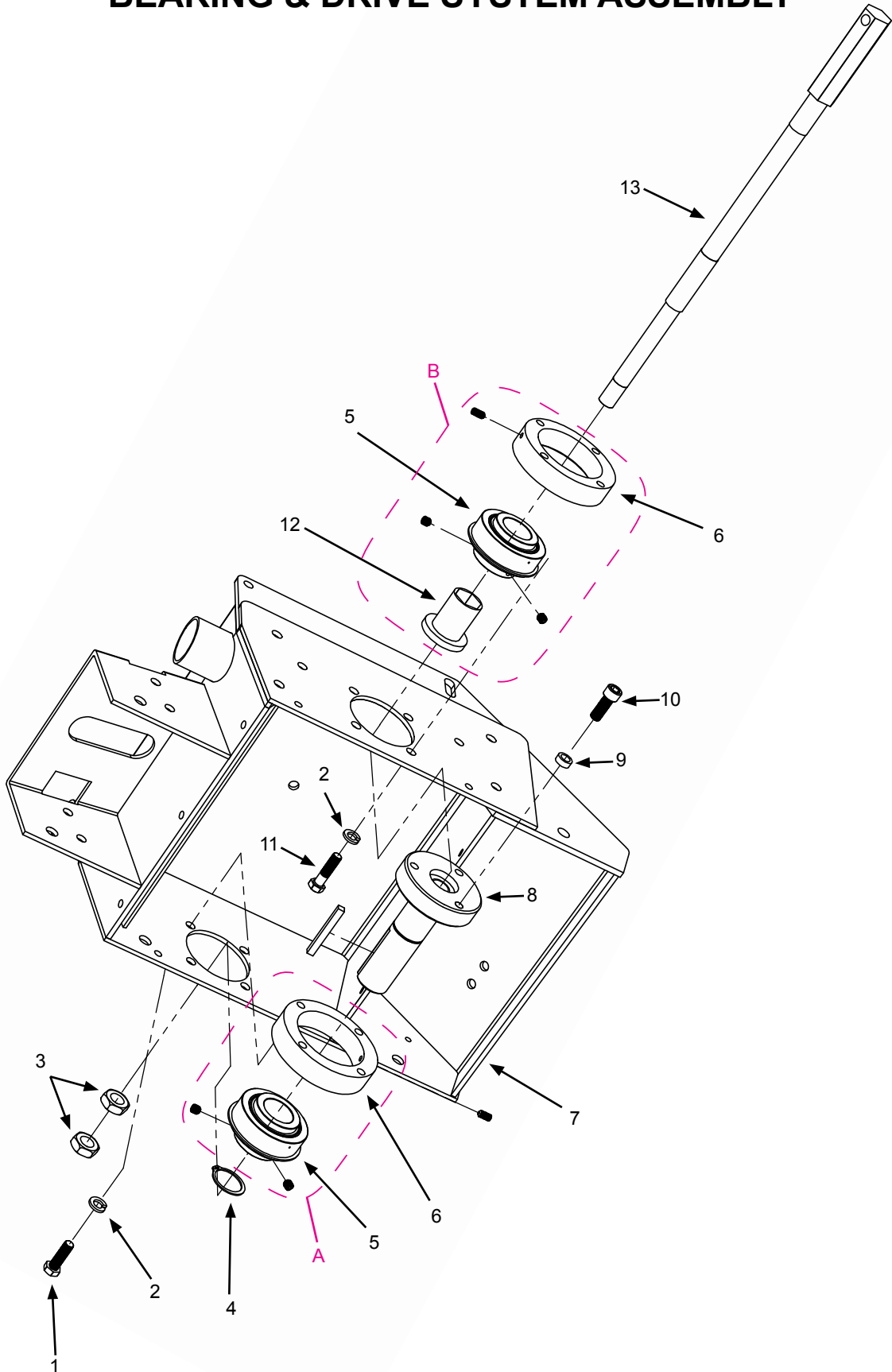
**Cut Control Label:
LB-50011**



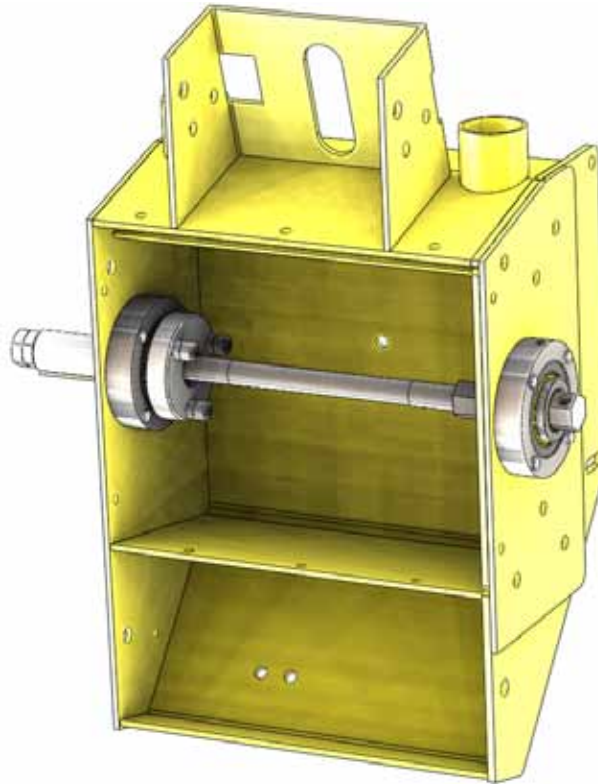
**Motor Label:
LB-50010**



BEARING & DRIVE SYSTEM ASSEMBLY



BEARING & DRIVE SYSTEM ASSEMBLY



Item	P/N	Qty	Description
1	HX-CS.375-24x1.25	4	3/8-24x1.25" Hex Cap Screw
2	SLW.375	8	3/8" Lock Washer
3	LHJN.625-11	2	5/8-11 Left Hand Jam Nut
4	10873	1	C-clip
5	65030-SM	2	Bearing
6	65031	2	Bearing Retainer
7	1065001	1	Main Frame SPS
8	65038A	1	Shaft Driver (Includes Spacers & Cap Screws)
9	10113	3	Spacer for Shaft Driver
10	SHCS.375-24x1	3	3/8-24x1" Socket Head Cap Screw
11	HX-CS.375-24x1.5	4	3/8-24x1.5" Hex Cap Screw
12	65033	1	Hex Bushing
13	65037	1	Drive Shaft

MAINTENANCE FREE BEARING ASSEMBLIES

Item	P/N	Qty	Description
A	65031A-SM	1	Pulley Side Assembly
B	65033A-SM	1	Sideplate Side Assembly

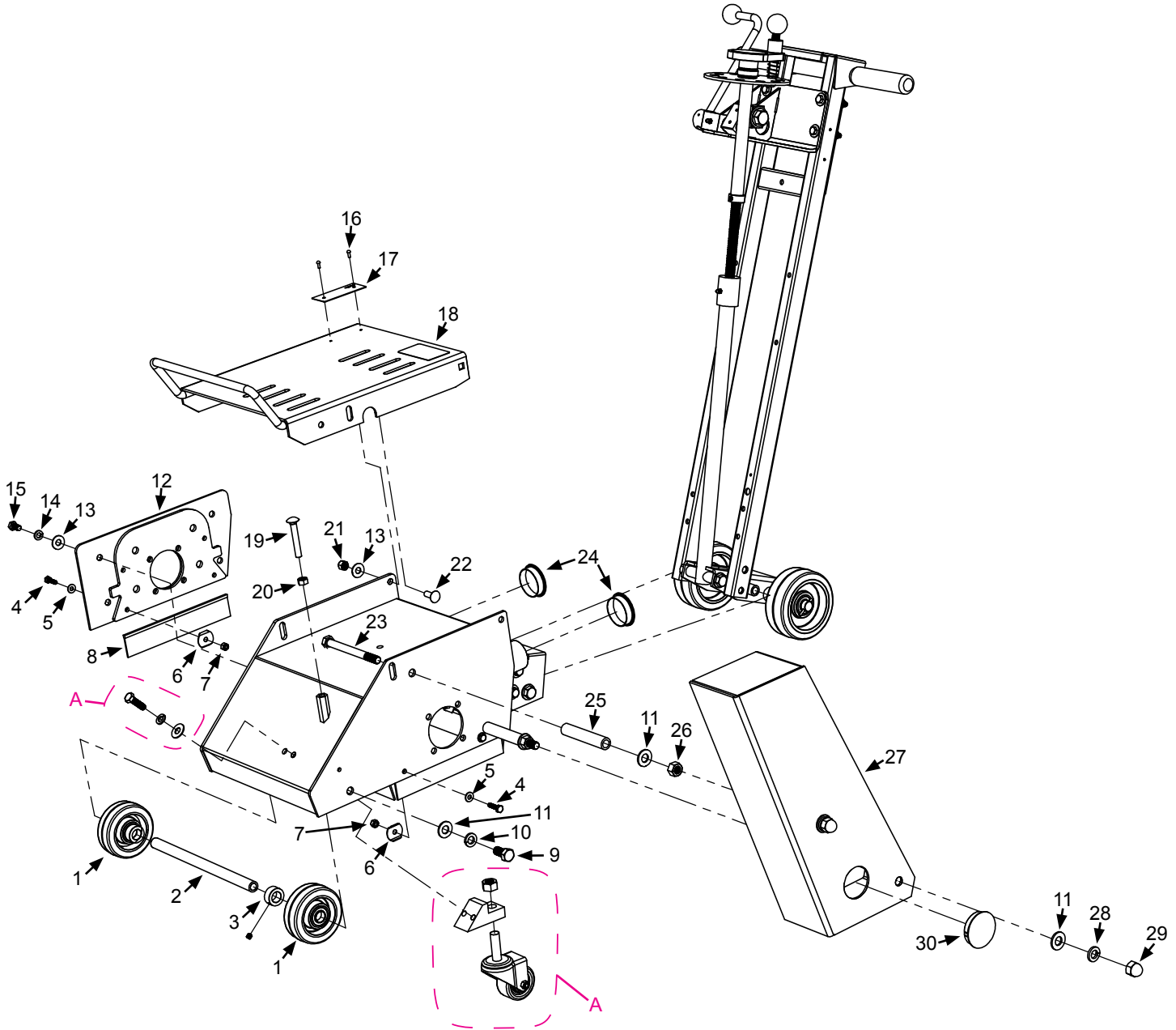
SPS8D.WPK.H - SPS8 BASIC WEAR PARTS KIT:
Includes a set of 2 SM bearing assemblies in retainers, a wide drive belt, and air filter replacement.

GREASED BEARING ASSEMBLIES

Item	P/N	Qty	Description
A	65031A	1	Pulley Side Assembly
B	65033A	1	Sideplate Side Assembly

SPS8.WPK.H - SPS8 BASIC WEAR PARTS KIT:
Includes a set of 2 bearing assemblies in retainers, a set of 2 drive belts, and air filter replacement.

FRONT ASSEMBLY



SPS8.WPKA - SPS8 ESSENTIAL WEAR PARTS KIT: Includes a set of 4 wheels, dust skirt with guards, vacuum cap, a set of handle grips, a hex drive shaft, a set of 2 left handed jam nuts, and a set of 3 cap screws for shaft driver (65028)

FRONT ASSEMBLY

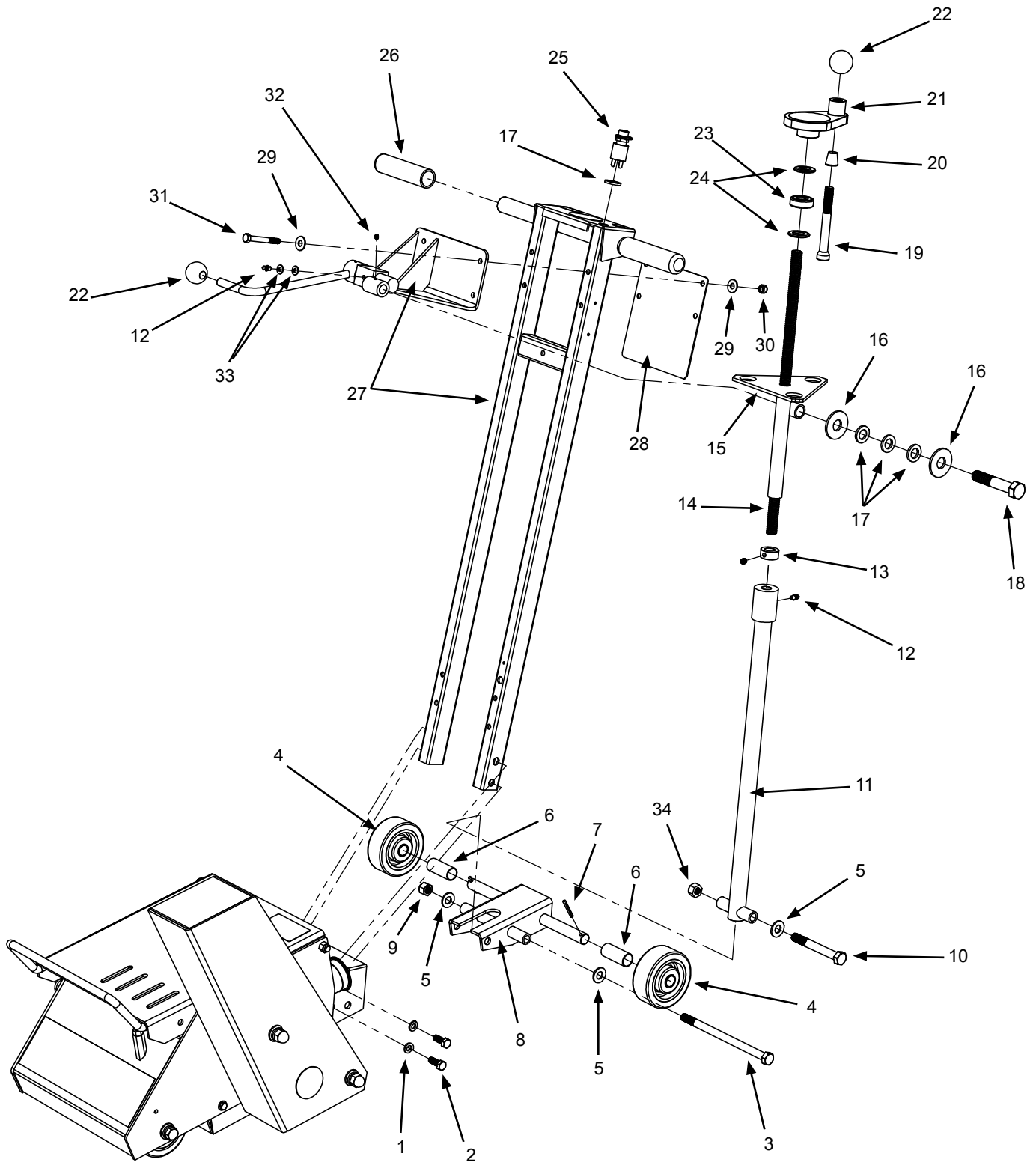


Item	P/N	Qty	Description
1	52001	2	Front wheel (with bearings)
2	65014	1	Axle Shaft
3	10428	2	Locking Collar
4	HX-CS.25-20x1	10	1/4-20x1" Hex Cap Screw
5	FLW.25	10	1/4" Flat Washer
6	FNW.25-1.0	10	1/4" Fender Washer
7	NHN.25-20	10	1/4-20 Nylock Nut
8	65036.A	1	Brush Strip (Set of 4)
9	HX-CS.50-20x1	2	1/2-20x1" Hex Cap Screw
10	SLW.50	2	1/2" Lock Washer
11	FLW.50	6	1/2" Flat Washer
12	1065010	1	Sideplate
13	FLW.375	8	3/8" Flat Washer
14	SLW.375	4	3/8" Lock Washer
15	HX-CS.375-24x.75	4	3/8-24x3/4" Hex Cap Screw

Item	P/N	Qty	Description
16	10129	2	Drive Screw
17	80001	1	Serial Plate
18	65002	1	Engine Mount
19	CB.375-16x3	1	3/8-16x3" Carriage Bolt
20	HN.375-16	1	3/8-16 Hex Nut
21	NHN.375-16	4	3/8-16 Nylock Nut
22	CB.375-16x1	4	3/8-16x1" Carriage Bolt
23	HX-CS.50-13x5	2	1/2-13x5" Hex Cap Screw
24	65021	2	Cap Plug
25	65016	2	Spacer
26	HN.50-13	2	1/2-13 Hex Nut
27	65003	1	Belt Guard
28	SLW.50	2	1/2" Lock Washer
29	AHN.50-13	2	1/2-13 Acorn Nut
30	65022	1	Hole plug
A	52004A	1	OPTIONAL- Front Caster Assembly



HANDLE ASSEMBLY



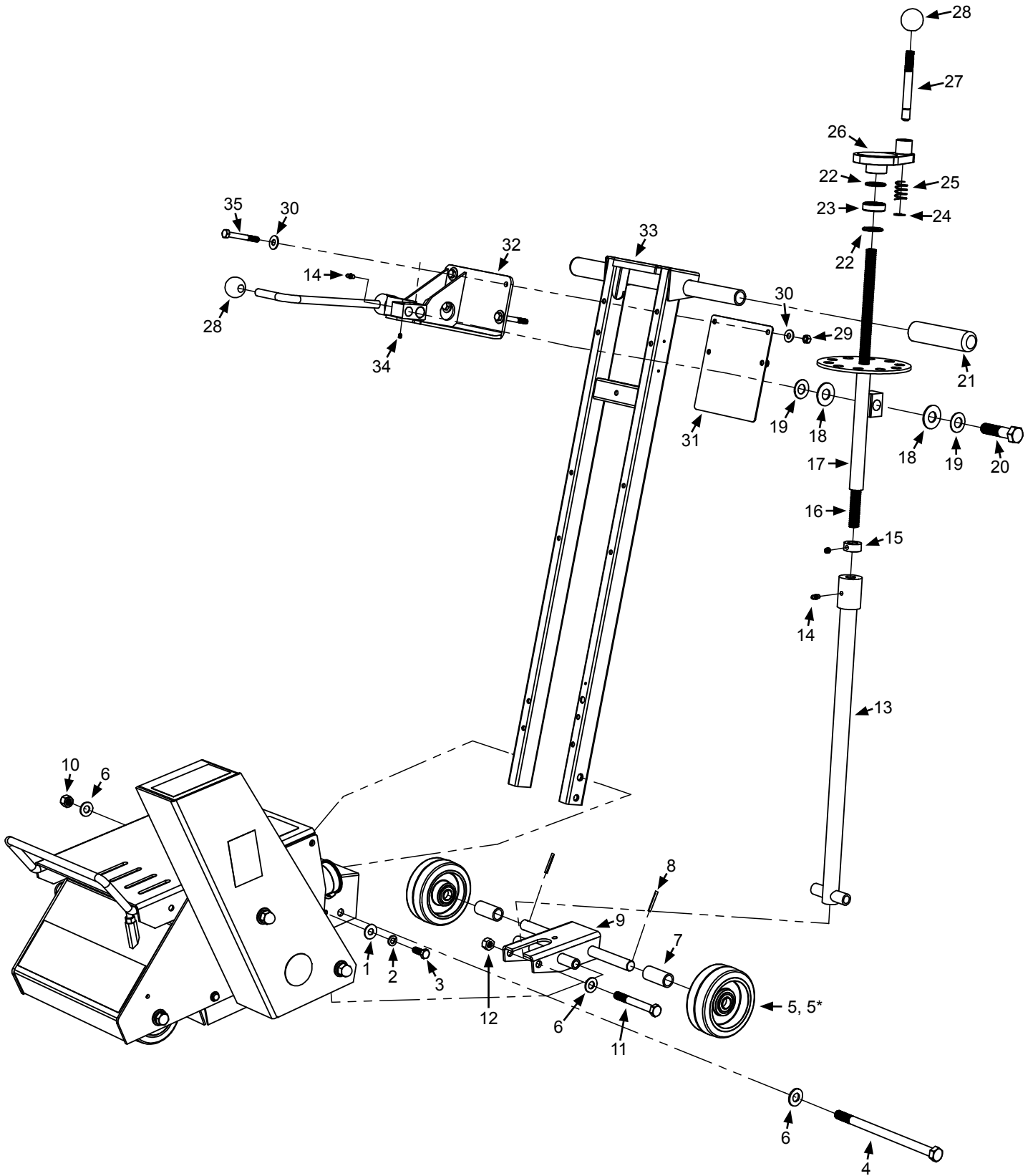
HANDLE ASSEMBLY



Item	P/N	Qty	Description
1	SLW.375	4	Lock Washer
2	HX-CS.375-16x1	4	3/8-16x1" Hex Cap Screw
3	HX-CS.50-13x8	1	1/2-13x8" Hex Cap Screw
4	52001	2	Wheel
5	FLW.50	3	1/2" Flat Washer
6	65005	2	Wheel Spacer
7	110360	2	Cotter Pin
8	65004	1	Rear Fork
9	NHN.50-13	1	1/2-13 Nylock Nut
10	HX-CS.50-20x4	1	1/2-20x4" Hex Cap Screw
11	65006	1	Lower Linkage
12	10808	2	Grease Fitting
13	110096	1	Locking Collar
14	168041-2	1	Threaded Rod
15	65007	1	Upper Linkage
16	FLW.625	2	5/8" Flat Washer
17	179035	3	Rubber Bushing

Item	P/N	Qty	Description
18	110359	1	5/8-11x3.25" Hex Cap Screw
19	SHCS.50-13x4	1	1/2-13x4" Socket Head Cap Screw
20	150550	1	Brass Sleeve
21	65019	1	Handwheel
22	14023	2	Ball Knob
23	85005	1	Thrust Bearing
24	10073	2	Structural Washer
25	1050010	1	Kill Switch
26	10608	2	Hand Grip
27	65009	1	Handlebar with Cam Lever
28	65009.25.1	1	Handlebar Back Plate
29	FLW.312	8	Flat Washer
30	NHN.312-18	4	Nylock Nut
31	HX-CS.312-18x2.5	4	5/16-18x2.5" Hex Cap Screw
32	SHSS10-32x.25	1	#10-32x1/4" Set Screw
33	FLW10	2	#10 Flat Washer
34	NHN.50-20	1	1/2-20 Nylock Nut

HANDLE ASSEMBLY

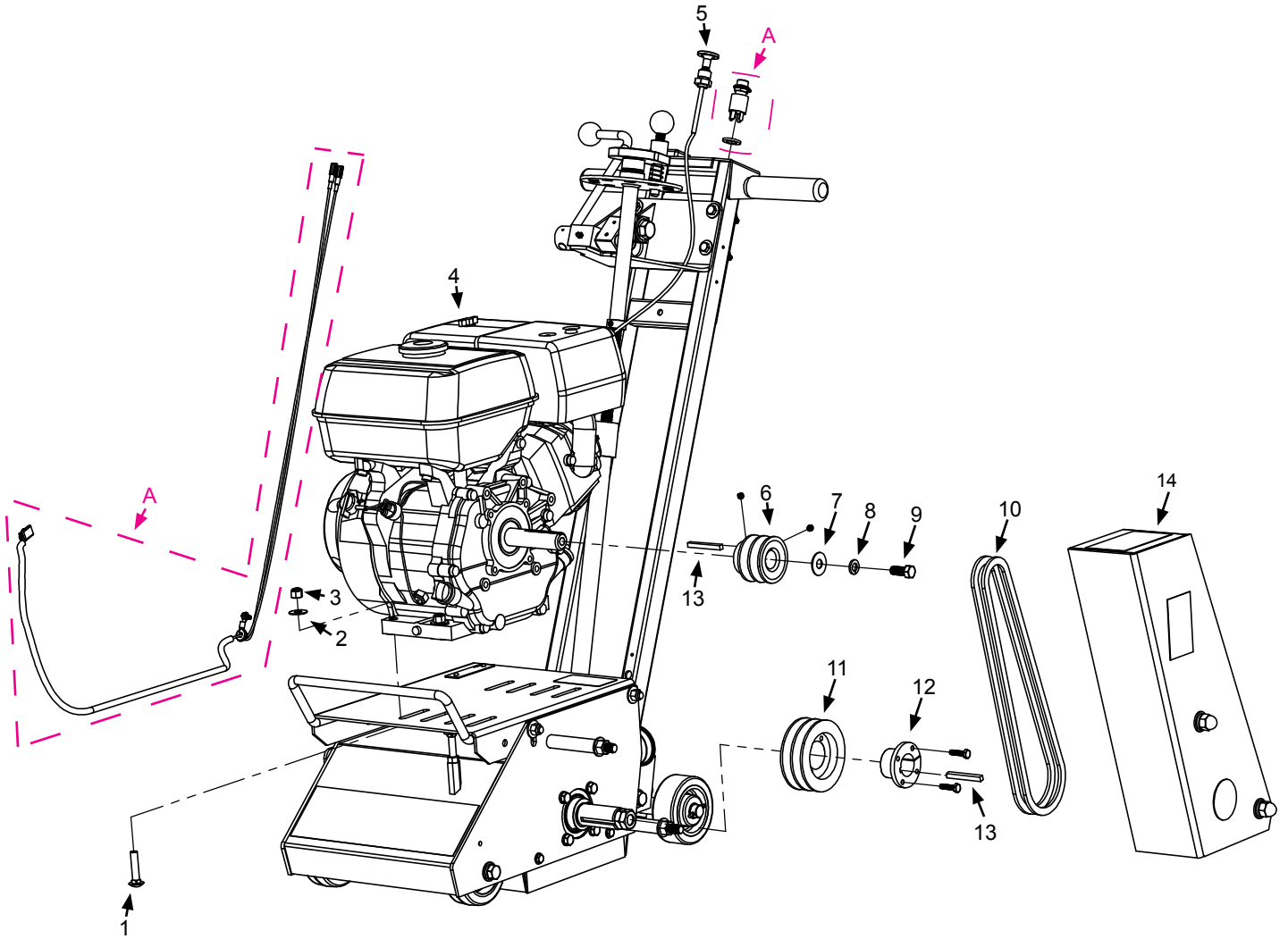


HANDLE ASSEMBLY



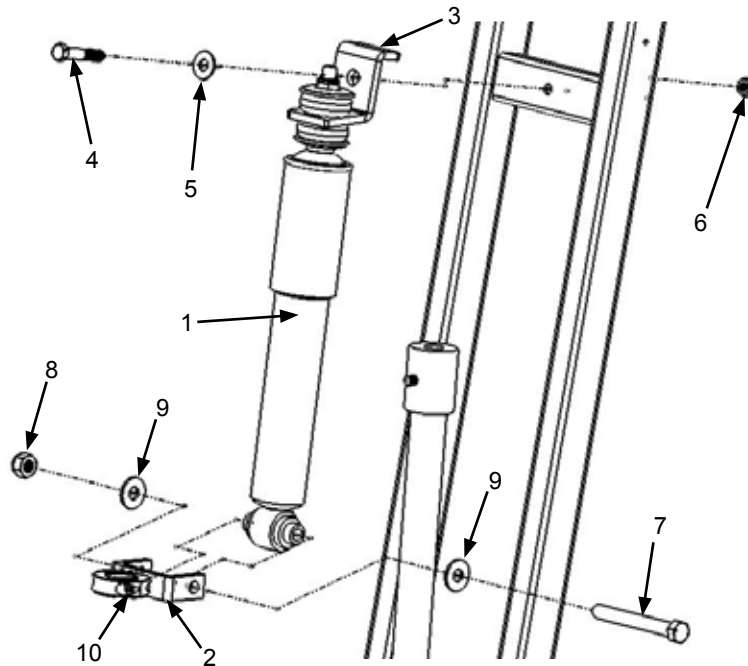
Item	P/N	Qty	Description	Item	P/N	Qty	Description
1	FLW.375	4	3/8" Flat Washer	18	1065041	2	Bronze Washer
2	SLW.375	4	3/8" Lock Washer	19	1065040	2	Belleville Washer
3	HX-CS.375-16x1	4	3/8-16x1" Hex Cap Screw	20	HX-CS.625-11x2.5	1	5/8-11x2.5" Hex Cap Screw
4	HX-CS.50-13x8	1	1/2-13x8" Hex Cap Screw	21	10608	2	Foam Grip
5	52001	2	Wheel	22	10073	2	Structural Washer
5*	52002	2	OPTIONAL 5" Wheel for CF2128 cutters	23	85005	1	Thrust Bearing
6	FLW.50	3	1/2" Flat Washer	24	V.SC30M179	1	E-Clip
7	65005	2	Wheel Spacer	25	V.SC30M185	1	Spring
8	110360	2	Cotter Pin	26	65019	1	Handwheel
9	65004-1	1	Rear Fork	27	110346.A	1	Locator Pin
10	NHN.50-13	1	1/2-13 Nylock Nut	28	14023	2	Ball Knob
11	HX-CS.50-20x4	1	1/2-20x4" Hex Cap Screw	29	NHN.312-18	4	5/16-18 Nylock Nut
12	NHN.50-20	1	1/2-20 Nylock Nut	30	FLW.312	8	5/16" Flat Washer
13	1065006	1	Lower Linkage	31	65009.25.1	1	Handlebar Back Plate
14	10808	2	Grease Fitting	32	65009.25.E	1	Cam Lever Assembly
15	110096	1	Locking Collar	33	65009.1	1	Handlebar
16	168041-2	1	Threaded Rod	34	SHSS10-32x.25	1	#10-32x1/4" Set Screw
17	1065007.E	1	Upper Linkage	35	HX-CS.312-18x2.5	4	5/16-18x2.5" Hex Cap Screw
				36	65019.1	1	1/8" x 1.25" Roll Pin

ENGINE & PULLEY ASSEMBLY



Item	P/N	Qty	Description
1	CB.375-16x1.75	4	3/8-16x1.75" Carriage Bolt
2	FLW.375	4	3/8" Flat Washer
3	NHN.375-16	4	3/8-16 Nylock Nut
4	RS-E-15027	1	9HP Honda Motor
5	1036110	1	Throttle Cable Assembly
6	10553	1	Engine Pulley
7	FNW.437-1.25	1	7/16" Fender Washer
8	SLW.437	1	7/16" Lock Washer
9	HX-CS.437-20x1	1	7/16-20x1" Hex Cap Screw
10	81007	2	Drive Belt
11	65018	1	Drive Pulley
12	10505	1	Bushing for Drive Pulley
13	10307	2	Key
14	65003	1	Belt Guard
A	1065011A	1	Kill Switch Connector Kit

DAMPER KIT (SPS.DLX.ACC) STANDARD ON NEW UNITS



Item	P/N	Qty	Description
1	168090	1	Shock Absorber
2	SPS.SHCKATCH.A	1	Lower Attachment Link
3	1065056	1	Upper Attachment Link
4	HX-CS.312-18x1.75	1	5/16-18x1.75" Hex Cap Screw
5	FLW.312	1	5/16" Flat Washer
6	NHN.312-18	1	5/16-18 Nylock Nut
7	HX-CS.375-16x3.5	1	3/8-16x3.5" Hex Cap Screw
8	NHN.375-16	1	3/8-16 Nylock Nut
9	FLW.375	2	3/8" Flat Washer
10	SHCS.25-28x1	2	1/4-28x1" Socket Head Cap Screw

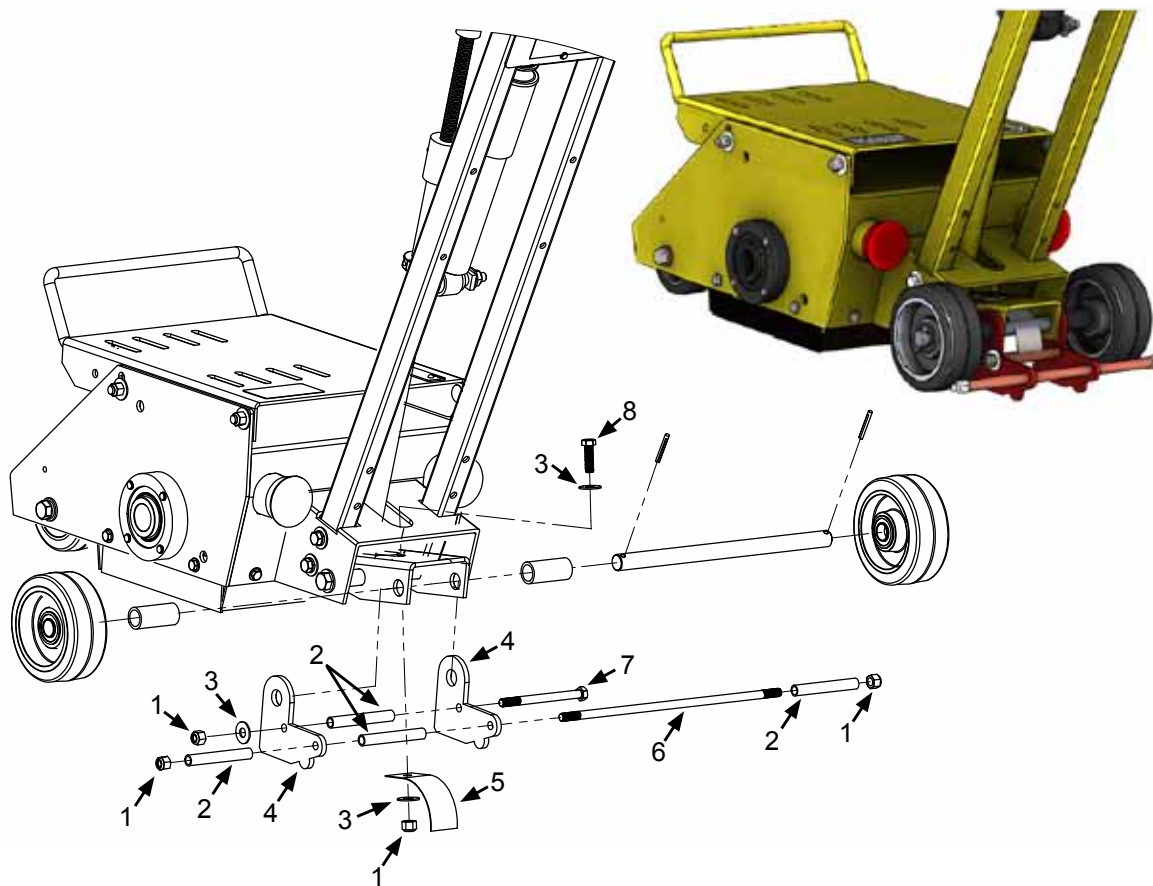
WATER CONTROLS ASSEMBLY (OPTIONAL)



Item	P/N	Qty	Description
1	NHN.25-20	1	1/4-20 Nylock Nut
2	FLW.25	2	1/4" Flat Washer
3	HX-CS.25-20x2.5	1	1/4-20x2.5" Hex Cap Screw
4	WT65084	1	Garden Hose Connect
5	WT65083	1	Ball Valve

Item	P/N	Qty	Description
6	WT65082	1	Hose Fitting
7	WT65085	1	Mounting Bracket
8	WT65088	2	Hose Clamp
9	WT65089	1	Clear PVC Hose
10	WT65081	1	Elbow Fitting

CENTER STAND BRAKE ASSEMBLY (OPTIONAL)



Item	P/N	Qty	Description
1	NHN.375-16	4	3/8-16 Nylock Nut
2	SPS.CSB.2	4	Cross Tube
3	FLW.375	3	3/8" Flat Washer
4	SPS.CSB.1	2	Kick Stand Plate
5	SPS.CSB.3	1	Spring Lift Plate
6	SPS.CSB.4	1	Threaded Rod
7	HX-CS.375-16x4.5	1	3/8-16x4.5" Hex Cap Screw
8	HX-CS.375-16x1.25	1	3/8-16x1" Hex Cap Screw

SPS8

Gas

MAINTENANCE LOG



MAINTENANCE LOG

WARRANTY CLAIMS

The manufacturer reserves the right to change or improve the machine design without assuming any obligation to update any products previously manufactured before this manual. It is the customer's responsibility to complete the warranty card and mail it to the seller within 10 days from the date of purchase. If a failure occurs during the warranty period, the customer must contact the seller to determine the appropriate action. Any and all transportation charges are to be borne by the purchaser.

Limited Equipment Warranty

All statements, technical information and recommendations contained in SMITH's literature are based on tests believed to be reliable, but the accuracy or completeness thereof is not guaranteed and the following is made in lieu of all warranties, expressed or implied. SMITH warrants all equipment or part referenced in this document which is manufactured by SMITH and bearing its name to be free from defects in material and workmanship on the date of sale to the original purchaser under normal use and maintenance as herein provided. This warranty does not apply to components manufactured by others such as, but not limited to, bearings and engines; such components that may or may not have their own warranties.

With the exception of any special, extended, or limited warranty published by SMITH, SMITH will, for a period of three months (90 days) from the date of sale or up to five hundred (500) hours of use by buyer, whichever shall occur first; repair or replace any part of the equipment determined by SMITH to be defective. This warranty applies only when the equipment or part is installed, operated and maintained in accordance with SMITH's written recommendations.

SMITH's sole obligation for any breach of warranty or breach of contract for defects, deliberate or accidental omissions, shall be limited to repairing, replacing or allowing credit for, at SMITH's option, any part which, under normal and proper use and maintenance, proves defective in material or workmanship within warranty period, provided, however, that notice of any such defect or omission and satisfactory proof thereof is promptly given by buyer to SMITH, and thereafter, such defective part is returned to SMITH with transportation charges prepaid, and SMITH's examination proves such part to have been defective. This warranty does not obligate SMITH to bear any transportation charges or personnel time in connection with the replacement or repair of defective parts. This warranty does not obligate SMITH to bear any expense for travel time or of personnel in connection with any service calls. SMITH will not, in any event, be liable to the user for any consequential damages arising out of this sale for the loss of use, lost profits or revenue, interest, lost goodwill or work stoppage. SMITH shall not be liable for any injury, loss or damage, direct or consequential, arising out of the use or the inability to use the product or for environmental claims. It being understood that SMITH has no means of controlling the products final use; therefore, it shall be buyer's responsibility to determine suitability of product for intended use and buyer assumes all risks and liabilities whatsoever, in connection therewith. In no event shall SMITH be liable for consequential or special damages. Used products are sold on an "as is" basis, and there is no implied warranty of merchantability or of fitness for a particular purpose, unless made in writing by an officer at SMITH's office.

This warranty does not cover, and SMITH shall not be liable for general wear and tear, or any malfunction, damage or wear caused by faulty installation, misapplication, abrasion, corrosion, inadequate or improper maintenance, negligence, accident, tampering, or substitution of non-SMITH component parts. Nor shall SMITH be liable for malfunction, damage or wear caused by the incompatibility of SMITH equipment with structures, accessories, equipment or materials not supplied by SMITH, or the improper design, manufacture, installation, operation or maintenance of structures, accessories, equipment or materials not supplied by SMITH. This warranty does not apply in respect to damages to any product or accessory or attachment thereof caused by overloading or other misuse, neglect or accident, nor does this warranty apply to any product or accessory or attachment thereof, which has been repaired or altered in any way which, in the sole judgment of SMITH, affects the performance, stability or general purpose for which it was manufactured. In the manufacture of buyer's equipment, parts may be omitted or equivalent functioning equipment and components may be substituted for the original specified equipment upon the sole judgment and discretion of SMITH.

This warranty is conditioned upon the prepaid return of the equipment claimed to be defective to an authorized SMITH Reseller for verification of the claimed defect. If the claimed defect is verified, SMITH will repair or replace free of charge any defective parts and return of merchandise back to the customer freight collect. If inspection of the equipment does not disclose any defect in material or workmanship, repairs will be made at a reasonable charge, which charges may include the costs of parts, labor and transportation.

THIS WARRANTY IS EXCLUSIVE AND IS IN LIEU OF ANY OTHER WARRANTIES, EXPRESS OR IMPLIED, INCLUDING BUT NOT LIMITED TO WARRANTY OF MERCHANTABILITY OR WARRANTY OF FITNESS FOR A PARTICULAR PURPOSE.

SMITH's sole obligation and buyer's sole remedy for any breach of warranty shall be as set forth above. The buyer agrees that no other remedy (including, but not limited to, incidental or consequential damages for lost profits, lost sales, injury to person or property, or any other incidental or consequential loss) shall be available. Any action for breach of warranty must be brought within two (2) years of the date of sale.

SMITH MAKES NO WARRANTY, AND DISCLAIMS ALL IMPLIED WARRANTIES OF MERCHANTABILITY AND FITNESS FOR A PARTICULAR PURPOSE, IN CONNECTION WITH ACCESSORIES, EQUIPMENT, MATERIALS OR COMPONENTS SOLD BUT NOT MANUFACTURED BY SMITH.

These items sold, but not manufactured by SMITH (such as electric motors, switches, hose, etc.), are subject to the warranty, if any, of their manufacturer. SMITH will provide purchaser with reasonable assistance in making any claim for breach of these warranties. In no event will SMITH be liable for indirect, incidental, special or consequential damages resulting from SMITH supplying equipment hereunder, or the furnishing, performance, or use of any products or other goods sold hereto, whether due to a breach of contract, breach of warranty, the negligence of SMITH, or otherwise.

ADDITIONAL WARRANTY COVERAGE - SMITH does provide extended warranty and wear warranty for products.

Corrections - typographical or clerical errors contained herein are subject to correction by SMITH.

Assignment - buyer shall not assign or transfer this warranty without SMITH's written consent.

Entire agreement and applicable law - the rights and obligations of SMITH and buyer shall be governed by the laws of the state of Florida, U.S.A. In force on date hereof. The provisions hereof are intended by buyer and SMITH as a final expression of their agreement, and are intended also, as a complete and exclusive statement of all terms apply cable to buyer's order. No waiver, modification, or addition to any of the terms hereof shall be binding on SMITH, unless made in writing by an officer at SMITH's office as stated herein. In the event of conflict between buyer's purchase order and the terms hereof, the latter shall control. If any provisions herein are to any extent invalid or unenforceable, the remainder of the warranty shall not be effected thereby and shall be valid and enforceable to the fullest extent permitted by law.

Legal action - buyer shall be responsible for all costs of collection of outstanding indebtedness, including but not limited to attorney's fees and court costs to seller. Buyer shall reimburse seller for any and all litigation expenses seller incurs as a result of an unsuccessful buyer claim. The jurisdiction and venue of the court for any litigation, state or federal, brought by the buyer and/or seller shall be located in venue determined by seller.

Fair labor standards - seller's products are produced in the United States and in conformity with all applicable provisions of the fair labor standards act of 1938 as amended and any regulations and orders of the United States Department of Labor issued thereunder.

All written and visual data contained in this document reflects the most current product information available at the time of this publication. SMITH reserves the right to make changes at any time without notice.

TO ORDER, contact your SMITH distributor or call 1-800-653-9311 to identify the nearest distributor.

SMITH Manufacturing Co, Inc.
1610 South Dixie Highway
Pompano Beach, FL 33060
www.smithmfg.com





**PRE-OPERATION INSPECTION - WARRANTY ACTIVATION
PRODUCT REGISTRATION**

1610 South Dixie Highway - Pompano Beach, FL 33060 • Ph: 954-941-9744 • Fax: 954-545-0348 • Email: info@smithmfg.com • www.SMITHMFG.com

Thank you for purchasing a SMITH. Please complete this form upon receipt of your equipment and prior to use on the job. A pre-operation inspection is required to activate your warranty. *All sections must be completed.* Should you have any questions, please add them to the comments section below. Fax the completed form to (954) 545-0348.

Organization _____
 Name _____ JobTitle _____
 Phone _____ Email _____
 Address _____
 City _____
 State _____ Zip _____
 SMITH Product _____
 Machine Serial # _____
 Date of Purchase (MM / DD / YYYY) _____
 Purchased from _____

PRE-OPERATION INSPECTION (PLEASE CHECK ALL)

1. No parts or components on the machine appear damaged or lost in shipment. Yes No
2. All bolts and fasteners are in place and tightly secured. Yes No
3. Grease points have been identified for future maintenance requirements and appear lubricated. Yes No
4. Wheels are operational. Yes No
5. Motor has been started and in good working condition. Yes No
6. All Decals appear in place and securely attached. Yes No
7. Equipment runs and tested to assure all components are operating correctly. Yes No
8. Do you have a Wear Parts Kit with an Extra Cutter set in stock? Yes No
9. Did you join Remove Faster News for tech updates, experience sharing and special offers? Yes No

Comments (add any additional or from above answers below)

NOTE: All power equipment is warranted directly from the motor/engine manufacturers direct and not from SMITH Manufacturing. Prior to starting your equipment, please find the name of your engine/motor repair center for warranty and service:

- Honda: <http://engines.honda.com/dealer-locator/>
- Subaru: <http://robinamerica.com/dealerusacan.aspx>
- Leeson: <http://www.leeson.com/leeson/servicecenter.do?invoke=viewServiceCenterLocator>
- US Motors: <http://www.usmotors.com/Contact-Information.aspx>
- Kohler: <http://www.kohlerengines.com/contact/contact.htm>

IMPORTANT: Gas Engine owners: Never tip engine forward which will lock the recoil pull cord until the fuel and oil returns back into their respective fuel chambers and the carburetor is free before it can be started.



SMITH Manufacturing

1610 South Dixie Highway
Pompano Beach, FL 33060

Toll Free: 800.653.9311

Phone: 954.941.9744

Fax: 954.545.0348

Email: info@SmithMfg.com

www.SmithMfg.com