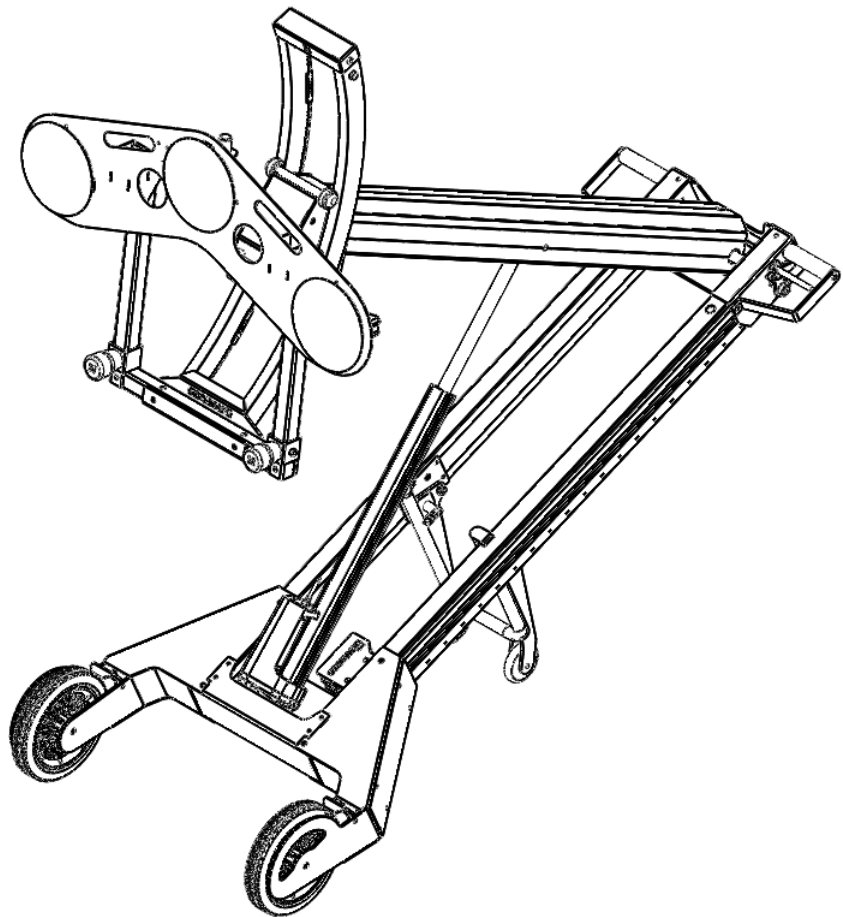


MAK PHT2-140-GS GLASS SUCKER ATTACHMENT



OPERATOR'S MANUAL

Rev 0817

FORWARD

Thank you for purchasing a MAKINEX product.

This manual provides information and procedures to safely operate and maintain the *MAK PHT2-140-GS GLASS SUCKER ATTACHMENT* device. For yours and/or other's safety and protection from injury, carefully read, understand and observe the safety instructions described in this manual.

Keep this manual or a copy of it with the machine. If you lose this manual or need an additional copy, please contact MAKINEX. This machine is designed and built with user safety in mind; however, it can present hazards if improperly operated and/or serviced. Please follow the operating instructions carefully. If there are any questions regarding operating or servicing of this machine, please contact MAKINEX.

The information contained in this manual was based on machines in production at the time of publication. MAKINEX reserves the right to change any portion of this information without notice.

All rights, especially copying and distribution rights are reserved.

Copyright 2014 by MAKINEX

No part of this publication may be reproduced in any form or by any means, electronic or mechanical, including photocopying, without express written permission from MAKINEX.

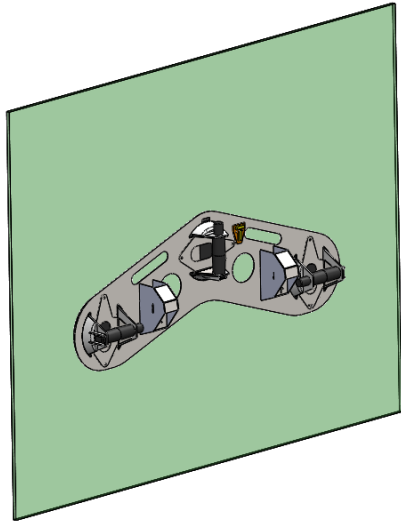
Any type of reproduction or distribution not authorised by MAKINEX represents an infringement of valid copyrights and will be prosecuted. We expressly reserve the right to make technical modifications, without due notice, which aim at improving our machines or their safety standards.

DISCLAIMER

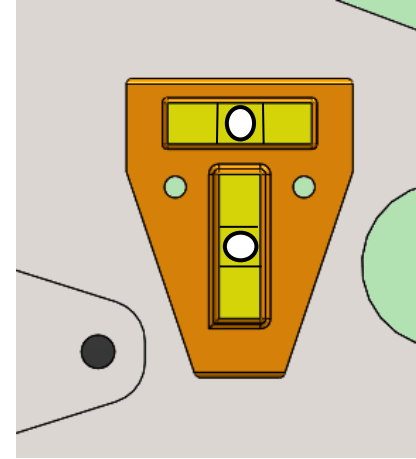
Makinex and its affiliates take no responsibility for any damage, injury or death resulting from the incorrect or unsafe use of this product. Use of this product should be undertaken by competent persons only. It is the operator's responsibility to ensure that the following safety procedures are followed. If you are unsure, do not operate this product.

GLASS SUCKER INSTALLATION & OPERATION INSTRUCTIONS

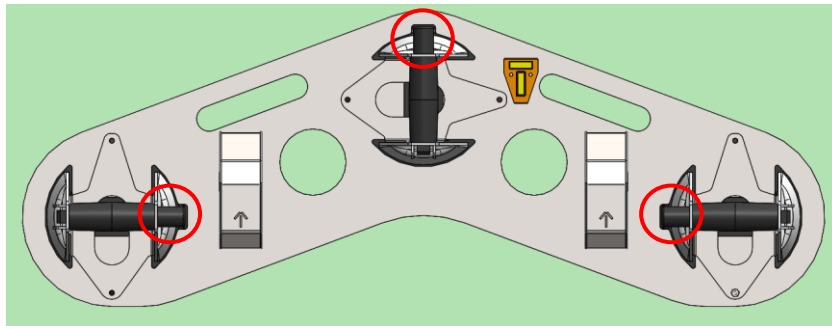
Step 1: Position the glass sucker onto the glass panel



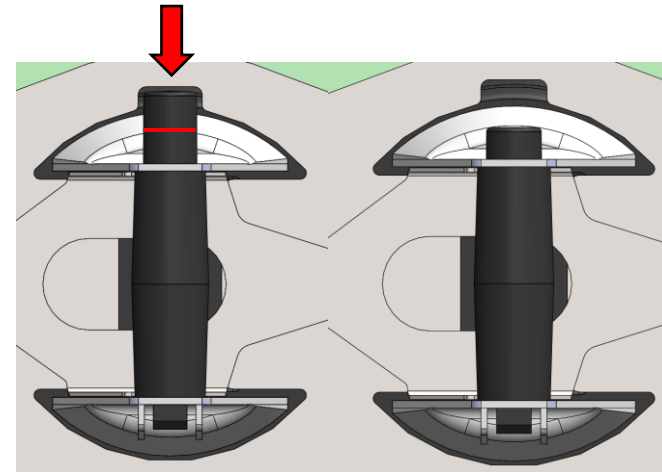
Step 2: Check that the glass sucker is level using the spirit level
Reposition the glass sucker until both bubbles in the spirit level are in-between the two lines. This will indicate that the glass sucker is level.



Step 3: Press the three suction buttons on the glass suckers to lock onto the glass panel

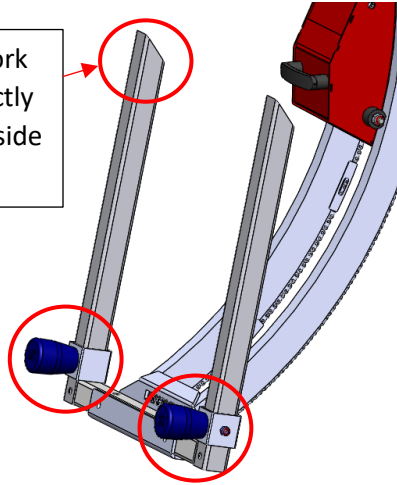


Step 3 (Continue): Repeatedly press down the suction button until the red line cannot be seen, repeat for all three of the glass suckers

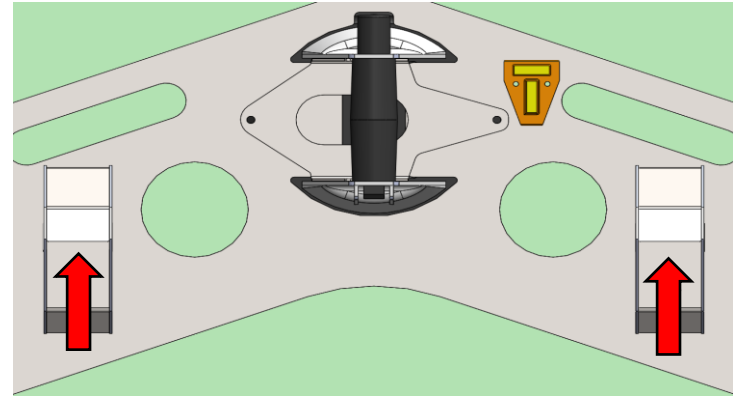


Step 4: Slide the two rubber spacers into the fork tines and tighten the bolts

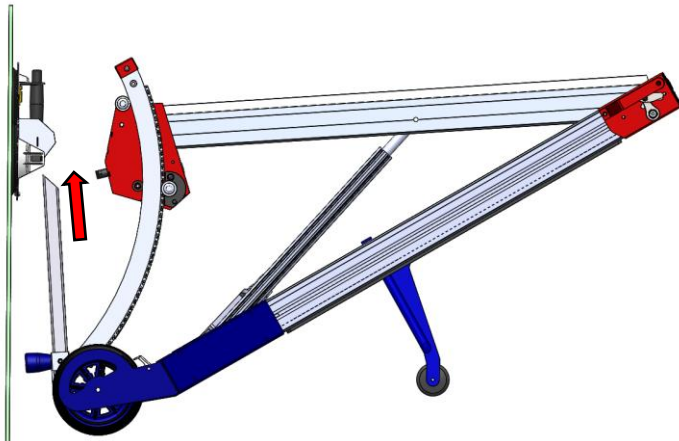
Note: Ensure fork tines are correctly oriented (long side front)



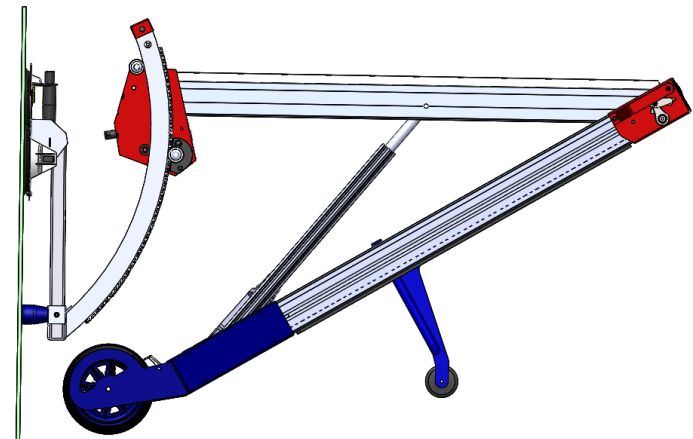
Step 5: Pickup brackets indicated in the diagram below



Step 5: Insert the fork tines securely into the pick-up bracket

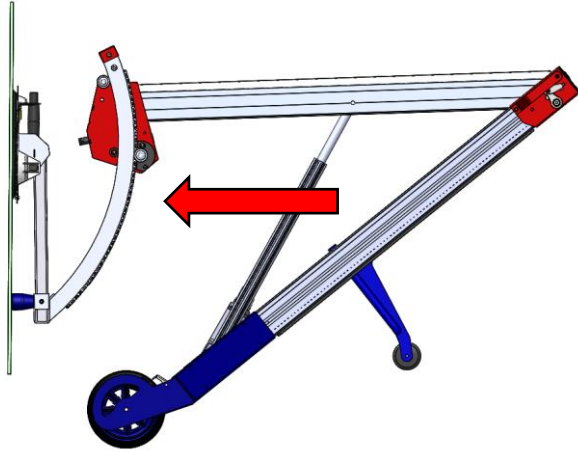


Step 5(Continue) : Insert the fork tines securely into the pick-up bracket



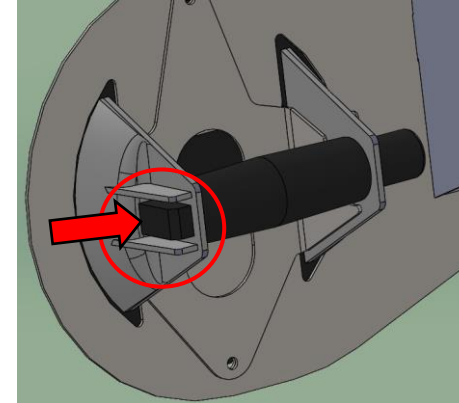
Step 6: Move the glass panel to desired location

Lift the jib and adjust the tilt of the fork attachment to keep glass panel vertical. While transporting, always keep the load low to the ground



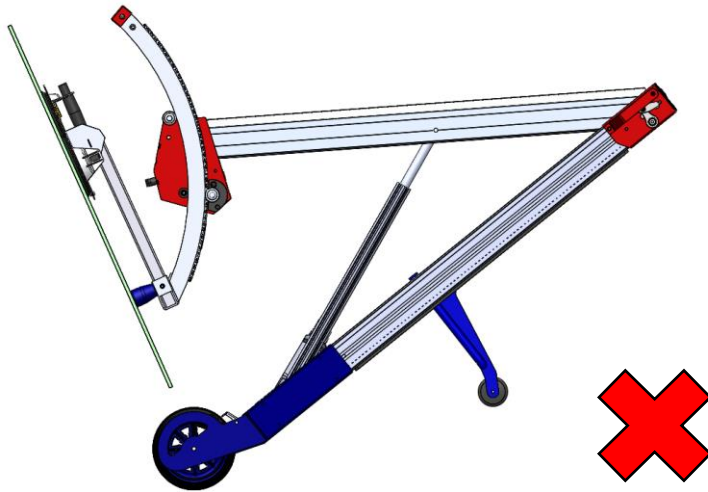
Step 7: Detach the glass panel from the glass sucker

Press the button on the other side of the sucker to release the suction and detach the glass

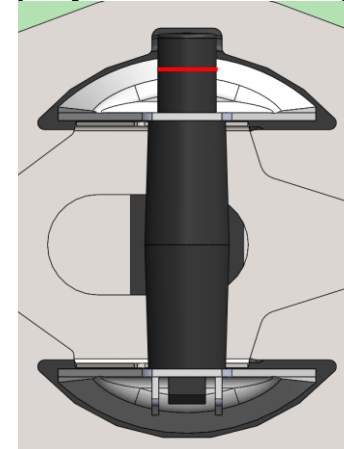


BEWARE OF THE FOLLOWING SITUATIONS

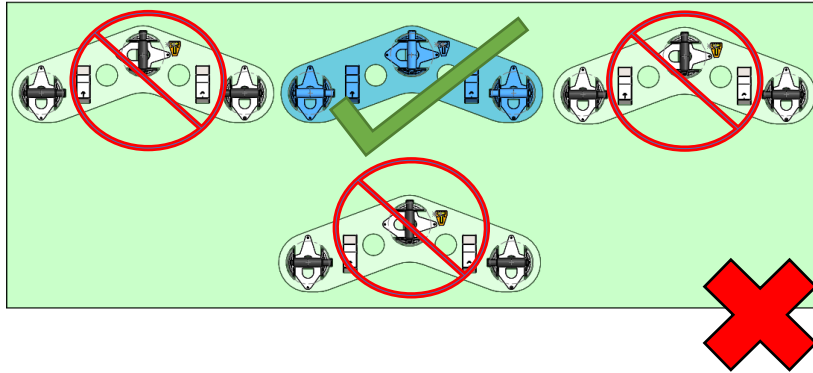
1) Tilting the glass panel forward



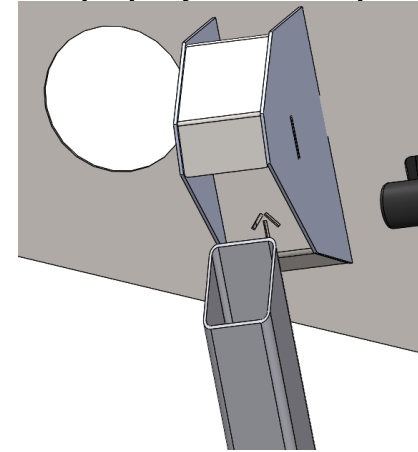
2) Do not lift glass panel, if the red line is still seen (the glass panel is not properly secured onto the glass sucker).



3) Ideal positioning of the glass suckers onto the glass panel
Ideal positioning of the glass suckers are center top of the glass panel.



4) Fork tines do not properly fit into the pickup bracket



LIMITED WARRANTY

PLEASE REFER TO THE **PHT MANUAL**
FOR WARRANTY INFORMATION

WARRANTY CONTACT INFORMATION:

AUSTRALIA

Tel + 61 2 9460 8071

Fax +61 2 9439 9815

d.lobban@Makinex.com.au

15 Waltham St, Artarmon, NSW

2064 AUSTRALIA

USA

Tel 855-625-4639

EUROPE

Tel +31 (0)6 24881203

+31 (0)6 50841849

SERVICE & PART ORDERING

For service and ordering parts, please call

AUS: 1300 795 953 or +61 2 9460 8071

USA: 855-625-4639

EUROPE: +31 (0)6 24881203 or +31 (0)6 50841849

Or your nearest MAKINEX distributor

We have very knowledgeable, experienced staff to assist you with help and advice.

SALES AND SPARE PARTS

For sales and spare parts for all Makinex products; please refer to your distributor below:



AUSTRALIA/ NEW ZEALAND
UNITED STATES OF AMERICA
EUROPE

W makinex.com
E sales@makinex.com

