

HELIX GRINDER

# SERVICE MANUAL

---



Read Manual Before Servicing Machine



# Table of Contents

---

<b>Table of Contents</b> .....	<b>3</b>
<b>Features and Specifications</b> .....	<b>4</b>
<b>Troubleshooting Guide</b> .....	<b>7</b>
<b>Maintenance</b> .....	<b>8</b>
General Maintenance .....	8
Replace Motor Brushes .....	8
Remove/Clean the Air Filter .....	9
Light .....	9
Access Electrical Components .....	9
Replace Morflex Couplers .....	9
<b>Parts List and Diagrams</b> .....	<b>10</b>
<b>Warranty</b> .....	<b>20</b>

# Features and Specifications

## Product Specifications

Width	Length	Height	Weight	HP	Disk Size
Max: 17.5" (44.5 cm) Min: 16.9" (42.9 cm)	Max: 47" (119.4 cm) Min: 27.9" (70.9 cm)	Max: 47.6" (120.9 cm) Min: 29.4" (74.7 cm)	206 lbs (93.4 kg) with tooling assembly 180 lbs (81.6 kg) without tooling assembly	1.5	16" (40.6 cm)

## Machine Variants

Region	Serial Number	Power Input	Motor RPM (High/Low Speed)	Tooling Assembly RPM (High/Low Speed)
Domestic	HELIX-10XXXX	120V / 60 Hz	3200/1800	291/163
	HELIX-12XXXX	120V / 60 Hz	3200/1800	291/163
International	HELIX-28XXXX	100V / 50/60 Hz	2667 (for 50 Hz) 3200 (for 60 Hz)	243 (for 50 Hz) 291 (for 60 Hz)

# Safety

## GENERAL RULES FOR SAFE OPERATION

Before use, anyone operating or performing maintenance on this equipment must read and understand this manual, as well as any labels packaged with or attached to the machine and its components. Read the manual carefully to learn equipment applications and limitations, as well as potential hazards associated with this type of equipment. Keep manual near machine at all times. If your manual is lost or damaged, contact National Flooring Equipment (NFE) for a replacement.

### Personal

#### Dress properly and use safety gear.

Do not wear loose clothing; it may be caught in moving parts. Anyone in the work area must wear safety goggles or glasses, hearing protection during extended use, and a dust mask for dusty operations. Hard hats, face shields, safety shoes, etc. should be worn when specified or necessary.

#### Maintain control; stay alert.

Keep proper footing and balance, and maintain a firm grip. Observe surroundings at all times and use common sense. Do not use when tired, distracted, or under the influence of drugs, alcohol, or any medication that may cause decreased control.

#### Keep hands away from all moving parts and tooling.

Wear gloves when changing tooling. Remove tooling when machine is not in use and/or lower cutting head to the floor.

#### Do not force equipment.

Equipment will perform best at the rate for which it was designed. Excessive force only causes operator fatigue, increased wear, and reduced control.

### Environment

#### Avoid use in dangerous environments.

Do not use in rain, damp or wet locations, or in the presence of explosive atmospheres (gaseous fumes, dust, or flammable materials). Remove materials or debris that may be ignited by sparks. Keep work area tidy and well-lit - a cluttered or dark work area may lead to accidents. Extreme heat or cold may affect performance.

#### Protect others in the work area and be aware of surroundings.

Provide barriers or shields as needed to protect others from debris and machine operation. Children and other bystanders should be kept at a safe distance from the work area to avoid distracting the operator and/or coming into contact with the machine. Operator should be aware of who is around them and their proximity. Support personnel should never stand next to, in front of, or behind the machine while the machine is running. Operator should look behind them before backing up.

#### Guard against electric shock.

Ensure that machine is connected to a properly grounded outlet. Prevent bodily contact with grounded surfaces, e.g. pipes, radiators, ranges, and refrigerators. When scoring or making cuts, always check the work area for hidden wires or pipes.

### Maintenance & Repairs

#### Begin maintenance work only when the machine is shut down, unplugged, and cooled down.

#### Use proper cleaning agents.

Ensure that all cleaning rags are fiber-free; do not use any aggressive cleaning products.

#### Schedule regular maintenance check-ups.

Ensure machine is properly cleaned and serviced. Remove all traces of oil, combustible fuel, or cleaning fluids from the machine and its connections and fittings. Retighten all loose fittings found during maintenance and repair work. Loose or damaged parts should be replaced immediately; use only NFE parts.

#### Do not weld or flame-cut on the machine during repairs, or make changes to machine without authorization from NFE.

### Equipment

#### Use proper parts and accessories.

Only use NFE-approved or recommended parts and accessories. Using any that are not recommended may be hazardous.

#### Ensure accessories are properly installed and maintained.

Do not permanently remove a guard or other safety device when installing an accessory or attachment.

#### Inspect for damaged parts.

Check for misalignment, binding of moving parts, loose fasteners, improper mounting, broken parts, and any other conditions that may affect operation. If abnormal noise or vibration occurs, turn the machine off immediately. Do not use damaged equipment until repaired. Do not use if power switch does not turn machine on and off. For all repairs, insist on only identical NFE replacement parts.

#### Maintain equipment and labels.

Keep handles dry, clean, and free from oil and grease. Keep cutting edges sharp and clean. Follow instructions for lubricating and changing accessories. Motor and switches should be completely enclosed at all times with no exposed wiring. Inspect cord regularly. Labels carry important information; if unreadable or missing, contact NFE for a free replacement.

#### Avoid accidental starting; store idle equipment.

When not in use, ensure that the machine is unplugged; do not turn on before plugging in. Store in a dry, secured place. Remove tooling when storing, and keep away from children.



**CAUTION!** ENSURE PROPER USE OF EXTENSION CORDS. IF AMP DRAW IS HIGHER THAN SHOWN ON TABLE OR CORD IS LONGER THAN 50 FT, SEE AN ELECTRICIAN.

*ASSUMPTIONS: 3% ALLOWABLE VOLTAGE DROP, COPPER CONDUCTORS RATED FOR 75°C, 1.25 SAFETY FACTOR, CORD VOLTAGE RATING OF 600VAC, PROPER CORD TYPES (STO, STOW, SOOW).*

Amp Draw	Gauge
0-12	14
13-16	12
14-24	10
25-40	8

# Safety

## GRINDER SAFETY GUIDELINES

Before use, anyone operating this equipment must read and understand these safety instructions.

### Grinding

**Beware of hidden obtrusions.**

Watch out for hidden dangers and protrusions in flooring. Do not use on largely uneven surfaces.

**Avoid contact with hot tooling and shroud.**

Do not touch the tooling or shroud without proper hand protection. Both become hot during operation and remain hot after stopping the machine.

**Use correct tooling and accessories.**

Provide barriers or shields as needed to protect others from debris.

**Use for correct applications.**

Do not force equipment to do heavier duty work than it was made for.

**Do not block the machine's air flow.**

Blocking ventilation slots or air flow will result in damage to the machine. Leave space for air to flow freely during operation.

**Use safety key and wrist wrap during operation.**

Loss of control of the grinder could cause damage, injury, or death.

### Dust Collection

**Use with appropriate dust collecting system.**

Do not operate machine designed for use with a dust collector without the dust collector. Ensure dust collector is on and operating properly while grinding.

**Use with appropriate dust collection hose.**

Do not operate the machine without the hose securely attached to the inlet of the dust collector and the outlet of the grinder. In order to maintain system efficiency, do not use a damaged hose.

**Dispose of collected waste.**

Do not leave the dust collector bag full of waste. Handle and dispose of bag and waste in accordance with all applicable local, state, and federal regulations. Dispose of waste prior to transport.

### Battery (Propane Machines Only)

**Remove personal metal items when working with battery.**

A battery can produce a short circuit current sufficient enough to weld metal objects, causing severe burns. Be careful to not drop metal tools on the battery, as a spark or short circuit could cause an explosion.

**Never smoke or allow a spark or flame near the battery.**



**WARNING:** BE CAUTIOUS WHEN WORKING WITH BATTERY. IF ELECTROLYTIC ACID GETS IN THE EYES, IMMEDIATELY FLUSH OUT WITH COLD, FRESH WATER FOR AT LEAST 10 MINUTES AND GET MEDICAL HELP.



**WARNING:** GRINDING/CUTTING/DRILLING OF MASONRY, CONCRETE, METAL AND OTHER MATERIALS CAN GENERATE DUST, MISTS AND FUMES CONTAINING CHEMICALS KNOWN TO CAUSE SERIOUS FATAL INJURY OR ILLNESS, SUCH AS RESPIRATORY DISEASE, CANCER, BIRTH DEFECTS OR OTHER REPRODUCTIVE HARM. IF YOU ARE UNFAMILIAR WITH THE RISKS ASSOCIATED WITH THE PARTICULAR MATERIAL BEING CUT, REVIEW THE MATERIAL SAFETY DATA SHEET AND/OR CONSULT YOU EMPLOYER, THE MATERIAL MANUFACTURER/SUPPLIER, GOVERNMENTAL AGENCIES SUCH AS OSHA AND NIOSH AND OTHER AUTHORITIES ON HAZARDOUS MATERIALS. CALIFORNIA AND SOME OTHER AUTHORITIES, FOR INSTANCE, HAVE PUBLISHED LISTS OF SUBSTANCES KNOWN TO CAUSE CANCER, REPRODUCTIVE TOXICITY, OR OTHER HARMFUL EFFECTS. CONTROL DUST, MIST AND FUMES AT THE SOURCE WHERE POSSIBLE. IN THIS REGARD USE GOOD WORK PRACTICES AND FOLLOW THE RECOMMENDATIONS OF THE MANUFACTURER/SUPPLIER, OSHA/NIOSH, AND OCCUPATIONAL AND TRADE ASSOCIATIONS. WHEN THE HAZARDS FROM INHALATION OF DUST, MISTS AND FUMES CANNOT BE ELIMINATED, THE OPERATOR AND ANY BYSTANDERS SHOULD ALWAYS WEAR A RESPIRATOR APPROVED BY OSHA/MSHA FOR THE MATERIAL BEING CUT.

# Troubleshooting Guide

Problem	Solution
Machine is hard to handle	Change to a less aggressive tooling.
	Remove weights.
	Change handle position to gain better leverage.
Debris is coming out from the bottom of the machine	Check dust skirt to make sure it is mounted and secured properly. The bottom edge of the skirt should be touching the floor.
	Remove vacuum hose and check to see if port is plugged.
	Ensure dust collector is working properly.
Blows fuses or circuit breakers	Ensure use of proper extension cord. See Safety section.
	Move to a different outlet on an independent circuit.
	Change to a less aggressive tooling.
	Remove weights.
Motor will not run	Ensure machine is connected to power.
	Check if light on motor is on; if so, change brushes.
	Ensure safety key is properly inserted.
	Ensure handle and motor cords are connected.
Noisy or excessive vibration	Change to a different tooling specific for the job.
	Ensure tooling is properly installed.
Light does not turn on	Ensure light is plugged in (just above where the light is located).

*Note: For further assistance, contact NFE customer service.*

# Maintenance



FIG. 1



FIG. 2

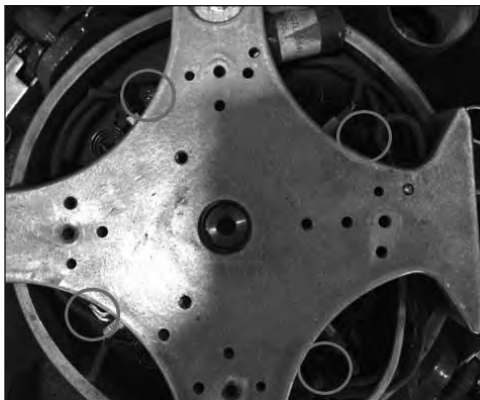


FIG. 3



FIG. 4

## GENERAL MAINTENANCE

A well-maintained machine is a productive machine. If not properly maintained, it could be unsafe or break down. Schedule regular maintenance check-ups to ensure efficient performance and a long life. The following maintenance should be performed by an NFE service center or dealer:

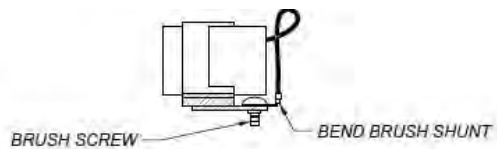
- Mechanical inspection and cleaning (bearings, nuts, bolts, housing, labels, etc.).
- Replacing worn or damaged parts (switches, guards, etc.).
- Electrical inspection (switch, cord, plugs, etc.).
- Testing to assure proper mechanical and electrical operation.

Labels should also be replaced if worn or difficult to read. Contact NFE for replacement labels.

## REPLACE MOTOR BRUSHES

Next to the dual speed toggle on the motor is a light (Figure 1). If the light is on, the brushes need to be replaced. To replace brushes, complete the following steps:

1. Disconnect machine from power; remove the safety key.
2. Remove (3) bolts on cover (Figure 2); remove cover. **Note:** Do not remove the commutator end bracket. Brushes can be installed through the openings in the bracket.
3. Remove (4) screws inside motor next to each brush (Figure 3).
4. Pull back spring and remove brush (Figure 4).
5. Replace brushes (wires should be on the top half of the brush). **Note:** Brush shunt should be out of the way of the spring or brush holder.



6. Repeat for remaining brushes.



## REMOVE/CLEAN THE AIR FILTER

### Removal and Installation

1. Disconnect machine from power; remove the safety key.
2. Remove (3) bolts on cover (Figure 2); remove cover.
3. Remove the filter.
4. Reverse steps for installation.

### Cleaning the Filter

Clean the filter every 25 hours.

To clean, wash with detergent and water. Dry thoroughly.

## LIGHT

If the light won't turn on, ensure that the plug is connected at the bottom of the control box (Figure 5).

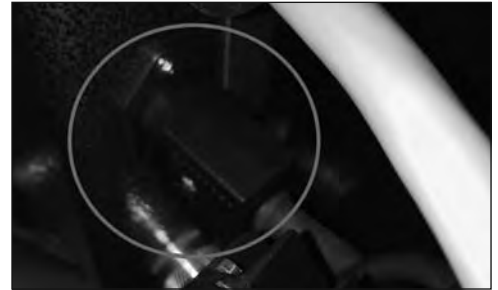


FIG. 5

## ACCESS ELECTRICAL COMPONENTS

1. Disconnect machine from power; remove the safety key.
2. Unplug light located under the cover (Figure 5).
3. Remove (4) bolts – 2 on the side, 2 on the top – on cover.
4. Remove cover.
5. Remove (4) screws – 2 on the top near controls, 2 on the bottom – from control panel.
6. Remove control panel to gain access to electrical components (Figure 6).



FIG. 6

## REPLACE MORFLEX COUPLERS

Remove tooling assembly to gain access to morflex couplers.

1. Disconnect machine from power; disconnect the handle cord from the motor cord (Figure 7).
2. Remove the safety key.
3. Flip base assembly over 180° until it rests on the two handles.
4. Rotate knob in the center of the tooling assembly counterclockwise to loosen it (Figure 8); rotate tooling plate clockwise until the (3) gearbox tabs line up with the (3) gaps in the tooling plate.
5. Remove tooling assembly.
6. To replace the morflex couplers, remove the (4) screws (2 on each side of the coupler) (Figure 9). **Note:** You may need to remove (or replace, if needed) all of the morflex couplers so that the replacement can fit in where it needs to be re-attached. See Tooling Assembly diagram.



FIG. 7



FIG. 8

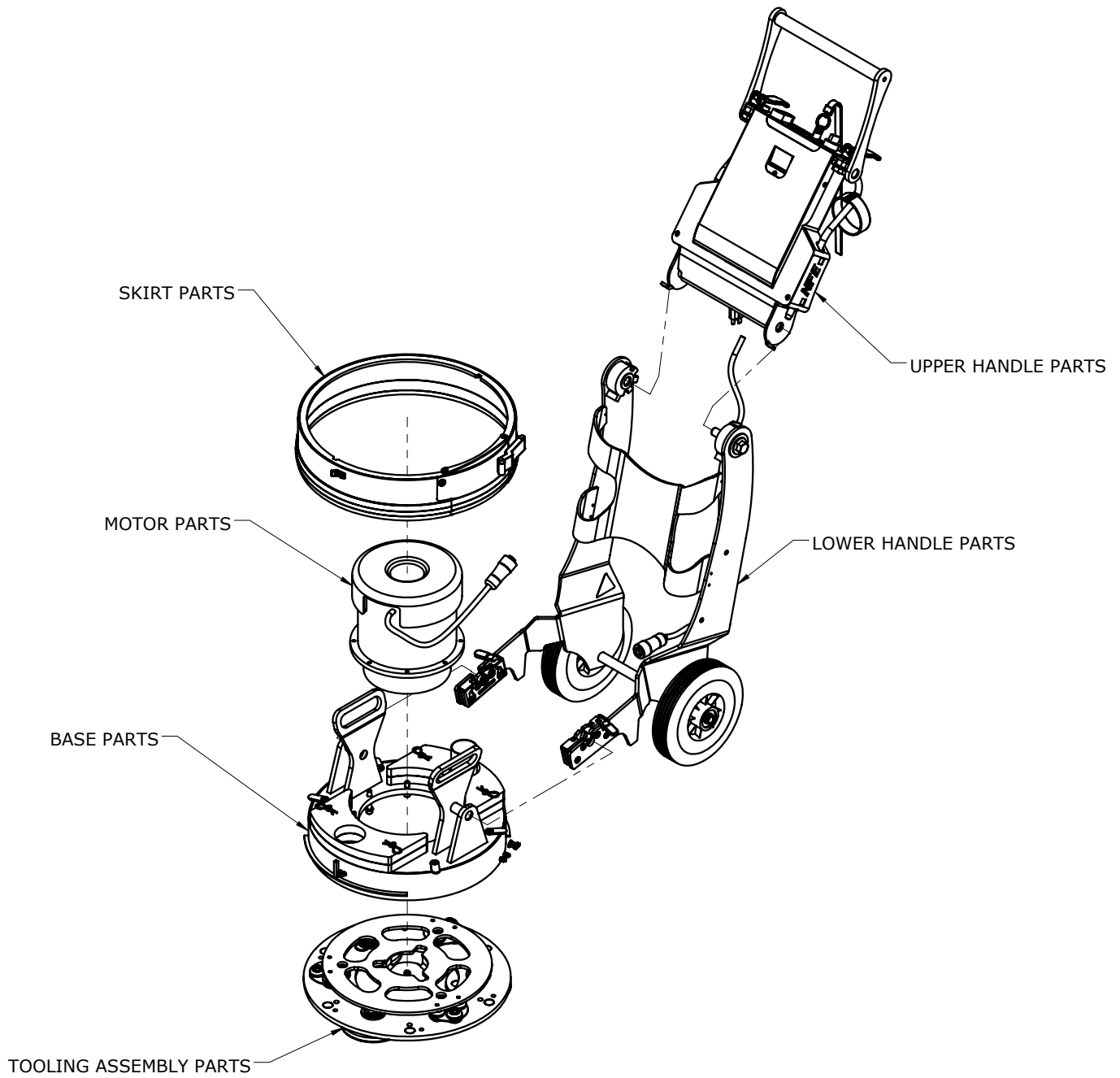


FIG. 9

# Parts List and Diagrams

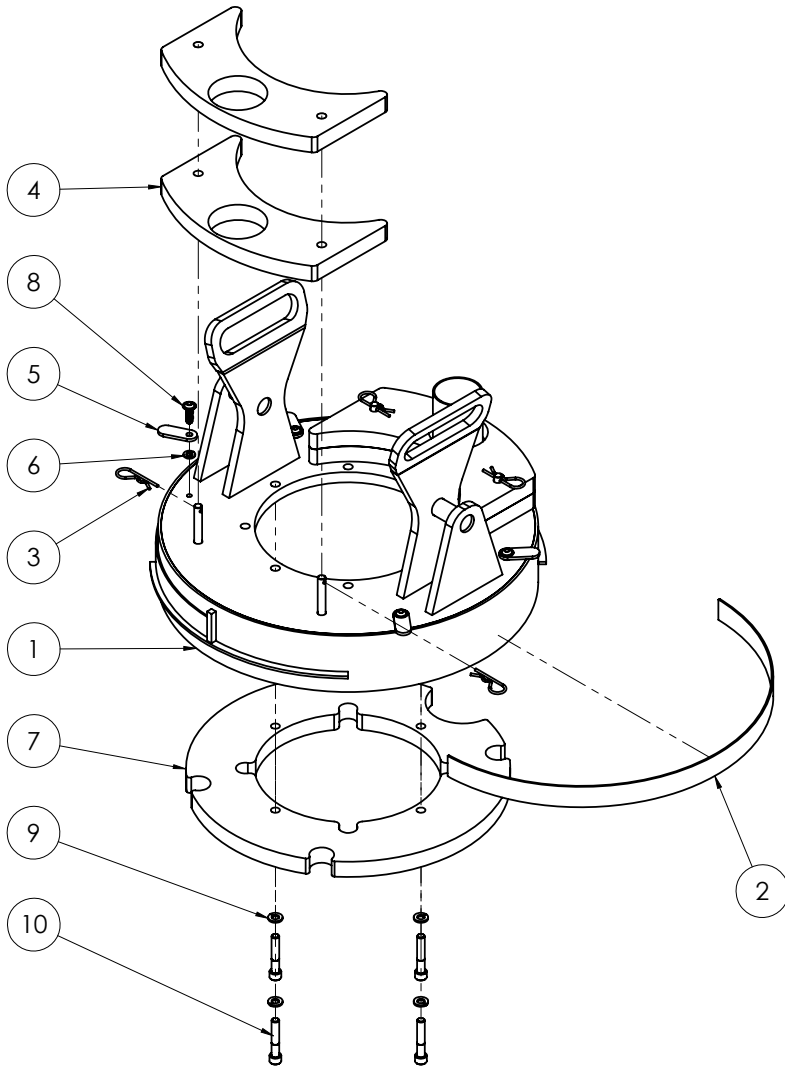
---

## OVERALL MACHINE



# Parts List and Diagrams

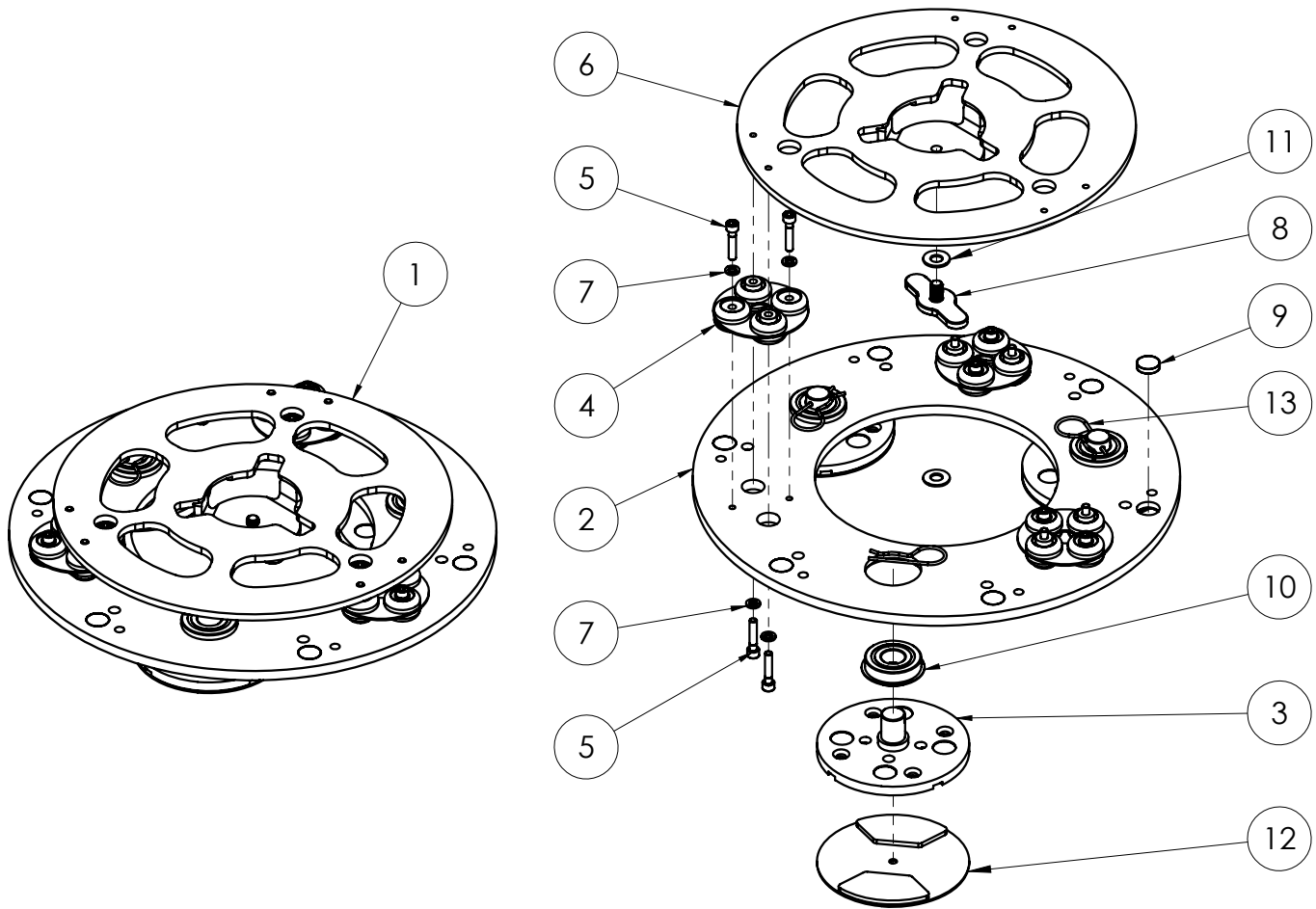
## BASE ASSEMBLY



ITEM NO.	PART NUMBER	DESCRIPTION	QTY.
1	402798-SV	Shroud, Grinder, 15 inch, Imperial	1
2	402756	Seal, Felt, 1.5 x .078"	4'
3	402764	Pin, Weight, Hold Down	4
4	403004	Weight, Grinder, Imperial Gearbox	4
5	403165	Retainer, Skirt	4
6	403140	Washer, Flat, M6	4
7	403169	Weight, Ring, 12.5 x 3/4	1
8	403171	Screw, Flanged Socket Head Cap, M6-1.0 x 20mm	4
9	73303	Washer, Split Lock 5/16	4
10	73348	Screw, Socket Head Cap 5/16-18x1-3/4	4

# Parts List and Diagrams

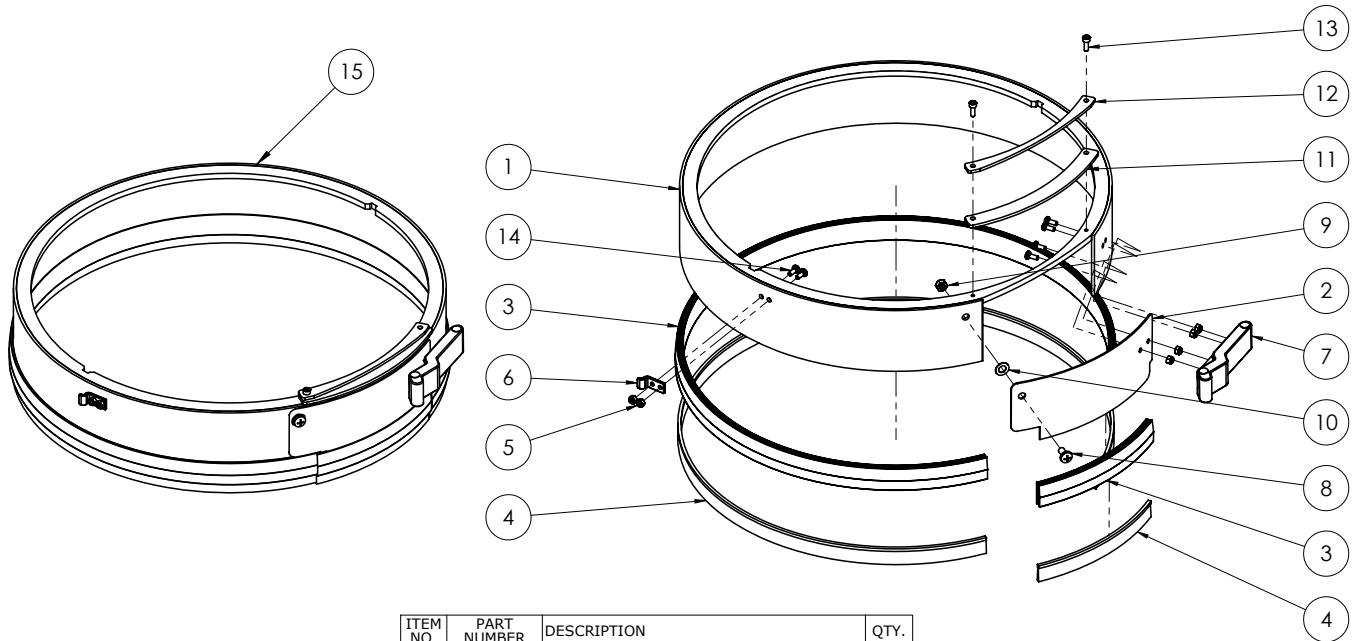
## TOOLING ASSEMBLY



ITEM NO.	PART NUMBER	DESCRIPTION	QTY.
1	402757	Assembly, Tooling	1
2	402760	Ring, Tooling	1
3	402761	Holder, Magnet Tooling, Pin	3
4	402781	Coupler, Morflex, 3.625"	3
5	402796	Screw, Socket Head Cap, M6-1.0 x 35mm	12
6	403101	Plate, Tooling, Clutch	1
7	74619	Washer, Lock, M6	12
8	403182	Knob, Tooling Plate	1
9	70711	Magnet, .75" dia. x .187"	6
10	71221	Bearing, Grinding Disc	3
11	403386	Washer, Belleville, .875" OD x .406" ID	2
12	9245	Velcro Plate Adaptor	3
13	403006	Pin, Cotter, Ø.093" x 2.50"	3

# Parts List and Diagrams

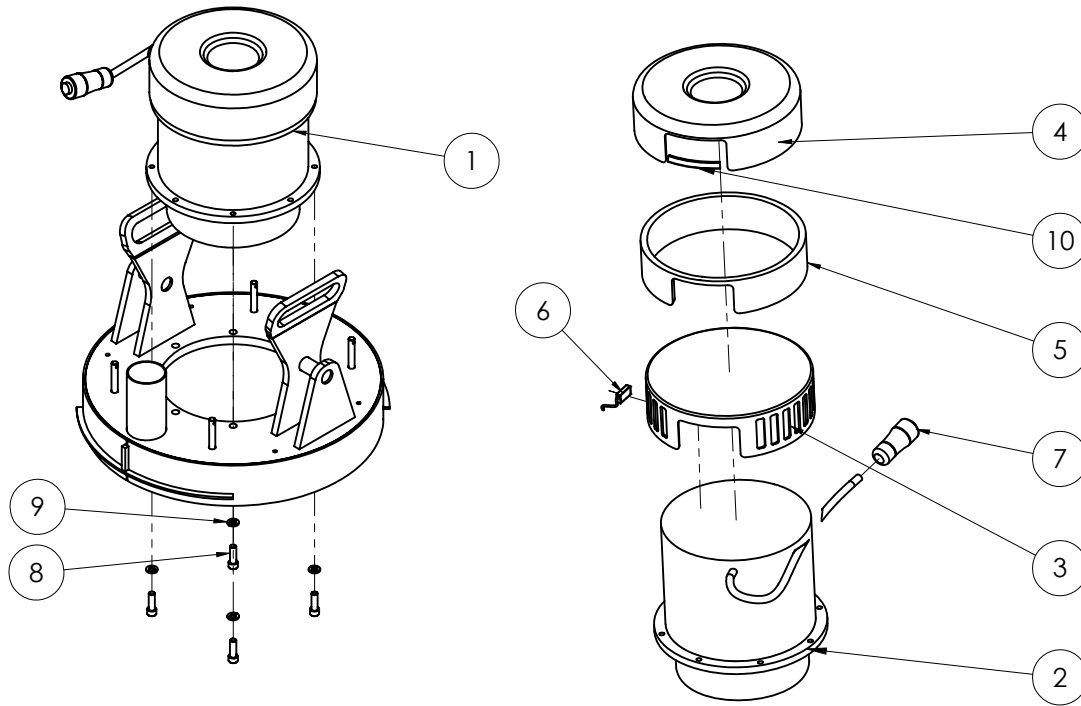
## SKIRT



ITEM NO.	PART NUMBER	DESCRIPTION	QTY.
1	402705	Skirt, Floating, Edge Grinding, 16 inch	1
2	402755	Shield, Dust, Edge Grinding	1
3	402790	Holder, Strip Brush	1
4	402791	Brush, Strip	1
5	403170	Nut, M4-0.7, Nylock	6
6	403186	Bracket, Elastic Strap	1
7	403180	Strap, Elastic	1
8	403077	Screw, Pan Head Machine, M6X1.0 - 12mm	1
9	401516	Nut, M6-1.0 Nylock	1
10	403174	Washer, Flat, 1/4 x .031, Fiber	1
11	403168	Seal, Edge Grinding, Rubber	1
12	403193	Clamp, Rubber Edge Seal	1
13	401653	SHCS, M4-0.7 x 12	2
14	403075	Screw, Pan Head Machine, M4X0.7 - 10mm	6
15	403231	Assembly, Skirt, 16" OD	1

# Parts List and Diagrams

## MOTOR

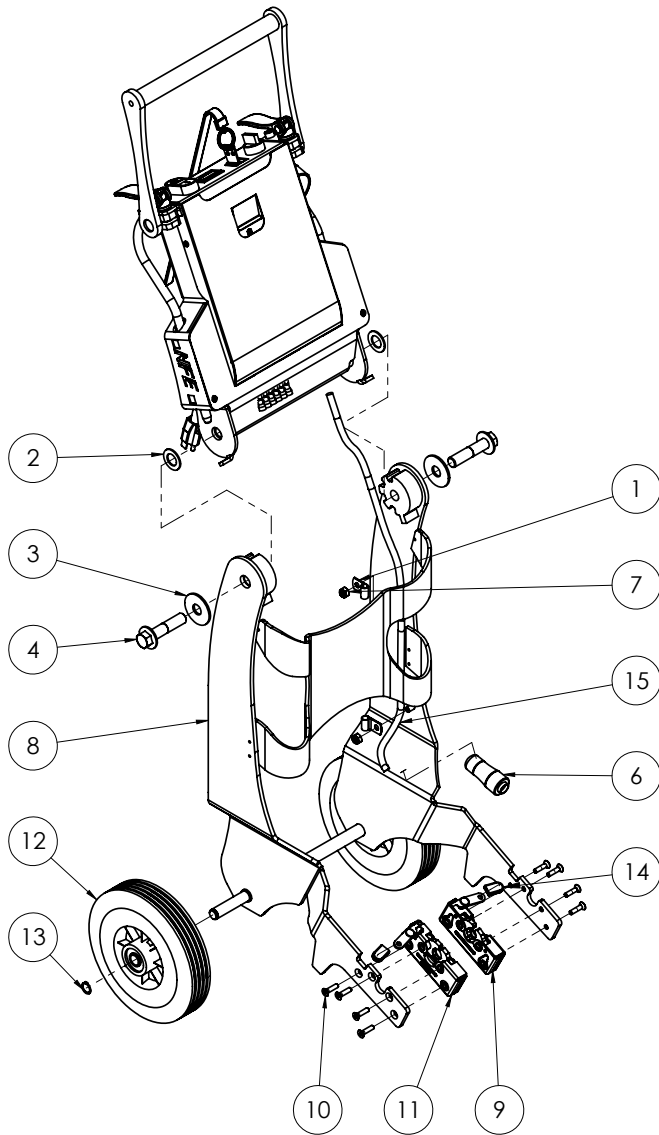


ITEM NO.	HELIX-10XXXX HELIX-12XXXX HELIX-23XXXX	HELIX-28XXXX	HELIX- 20XXXX	HELIX-11XXXX HELIX-13XXXX HELIX-15XXXX HELIX-26XXXX HELIX-27XXXX	DESCRIPTION	QTY.
1	403152	403811	403152	403863	Assembly, Motor/Gearbox, 120 Volt Assembly, Motor/Gearbox, 100V, Japan Assembly, Motor/Gearbox. 230 volt	1
2	403188	403807	403188	403643	Motor, Brushed, 120V, Integrated Gearbox, Lights and Switch Motor, Brushed, 120V, Integrated Gearbox, Single Speed Motor, Brushed, 230V, Integrated Gearbox, Lights and Switch	1
3	403154	403154	403154	403154	Cover, Vented	1
4	403155	403155	403155	403155	Cover, Drip Proof	1
5	400217	400217	400217	400217	Filter, Foam Element 25 HP	1
6	403319	403319	403319	403319	Brush, DC Motor	4
7	402802	402802	402802	402802	Connector, 4 Pin, Circular, Screw Terminal, 400V, Male	1
8	73311	73311	73311	73311	Screw, Socket Head Cap, 5/16-18 x 1	4
9	73303	73303	73303	73303	Washer, Split Lock 5/16	4
10	403382	403382	403382	403382	Trim, Edge, .23"W x .36"H	2.75" *
11	N/A	403818	N/A	403818	Ferrite, Solid, 50 Ohm, 1.047" OD x .504 ID	3

\*NOT SHOWN

# Parts List and Diagrams

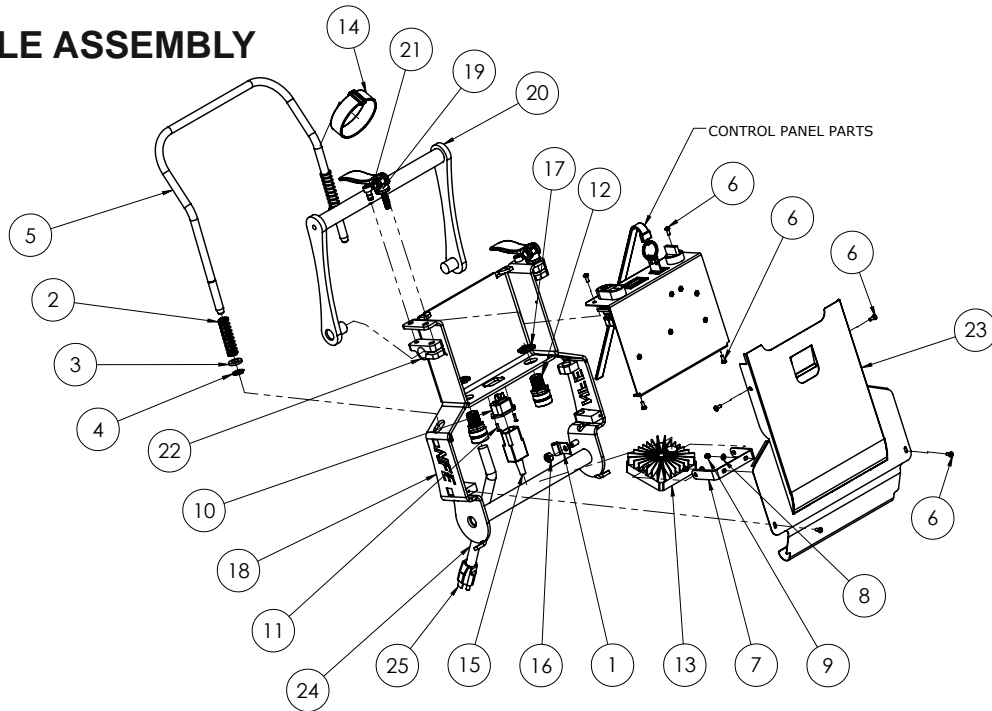
## LOWER HANDLE ASSEMBLY



ITEM NO.	HELIX-10XXXX HELIX-12XXXX HELIX-23XXXX	HELIX-11XXXX HELIX-13XXXX HELIX-15XXXX HELIX-20XXXX HELIX-26XXXX HELIX-27XXXX HELIX-28XXXX	DESCRIPTION	QTY.
1	72873	72873	3/8 Cable Clamp	2
2	402721	402721	Washer, Nylon, Mil-spec, 3/4 inch ID x .03 inch thk	2
3	402725	402725	Washer, M16 x 50mm OD, Clear Zinc	2
4	402726	402726	Screw, Flange Head, M16x2.0 - 70mm	2
6	402801	402801	Connector, 4 Pin, Circular, Screw Terminal, 400V, Female	1
7	401509	401509	Nut, M8-1.25 Nylock	2
8	402707-SV	402707-SV	Weldment, Lower Handle, Pivoting	1
9	402737	402737	Latch, Bear Jaw, Left	1
10	403076	403076	Screw, Flat Head Socket Head Cap, M6X1.0 - 25	8
11	402736	402736	Latch, Bear Jaw, Right	1
12	550-29	550-29	Wheel, 2-1/2 Center	2
13	402734	402734	Ring, Retaining, External, 5/8inch	2
14	402786	402786	Cap, Latch, Black Vinyl	2
15	72555	72565	Wire, 12/3 SJEOW, Yellow, Non-CE Wire, 14/3	3

# Parts List and Diagrams

## UPPER HANDLE ASSEMBLY



ITEM NO.	HELIX-10XXXX HELIX-12XXXX HELIX-23XXXX	HELIX-28XXXX	HELIX- 20XXXX	HELIX-11XXXX HELIX-13XXXX HELIX-15XXXX HELIX-26XXXX HELIX-27XXXX	DESCRIPTION	QTY.
1	72873	72873	72873	72873	3/8 Cable Clamp	1
2	402722	402722	402722	402722	Spring, .656"OD x 3"L x .062"W	2
3	402723	402723	402723	402723	Washer, Compression Retainer, 1/2" ID x 7/8" OD	2
4	80084	80084	80084	80084	E-Clip, 1/2" shaft	2
5	402724	402724	402724	402724	Handle, Pivot Control	1
6	403075	403075	403075	403075	Screw, Pan Head Machine, M4X0.7 - 10mm	8
7	403160	403160	403160	403613	Bracket, Light, Pivot	1
8	401326	401326	401326	401326	WASHER, FLAT, M4	2
9	403170	403170	403170	403170	Nut, M4-0.7, Nylock	2
10	403176	403176	403176	403176	Receptacle, Panel Mount, IEC C-13, 250V, 15A	1
11	403187	403187	403187	403187	Screw, Flathead Machine, M3-0.5 x 12mm	2
12	72804	72804	72804	72804	Strain Relief, Straight, 1/2"	2
13	403157	403157	403157	403641	Light, LED, 10 Watt	1
14	402797	402797	402797	402797	Cinch Strap, Velcro, 1" x 12"	1
15	403177	403177	403177	403177	Plug, IEC-14, 250V, 10A	1
16	401509	401509	401509	401509	Nut, M8-1.25 Nylock	1
17	73401	73401	73401	73401	Nut, Strain Relief, Steel, 1/2"	2
18	402716-SV	402716-SV	402716-SV	402716-SV	Weldment, Upper Handle, Pivoting	1
19	402729	402729	402729	402729	Lock, Cam, M8x1.25	2
20	402730	402730	402730	402730	Handle, Dipped	1
21	403384	403384	403384	403384	Screw, Socket Head Cap, M8x1.25 - 16mm, Adhesive Patch	2
22	403179	403179	403179	403179	Clamp, Handle bar, 3/4 ID	2

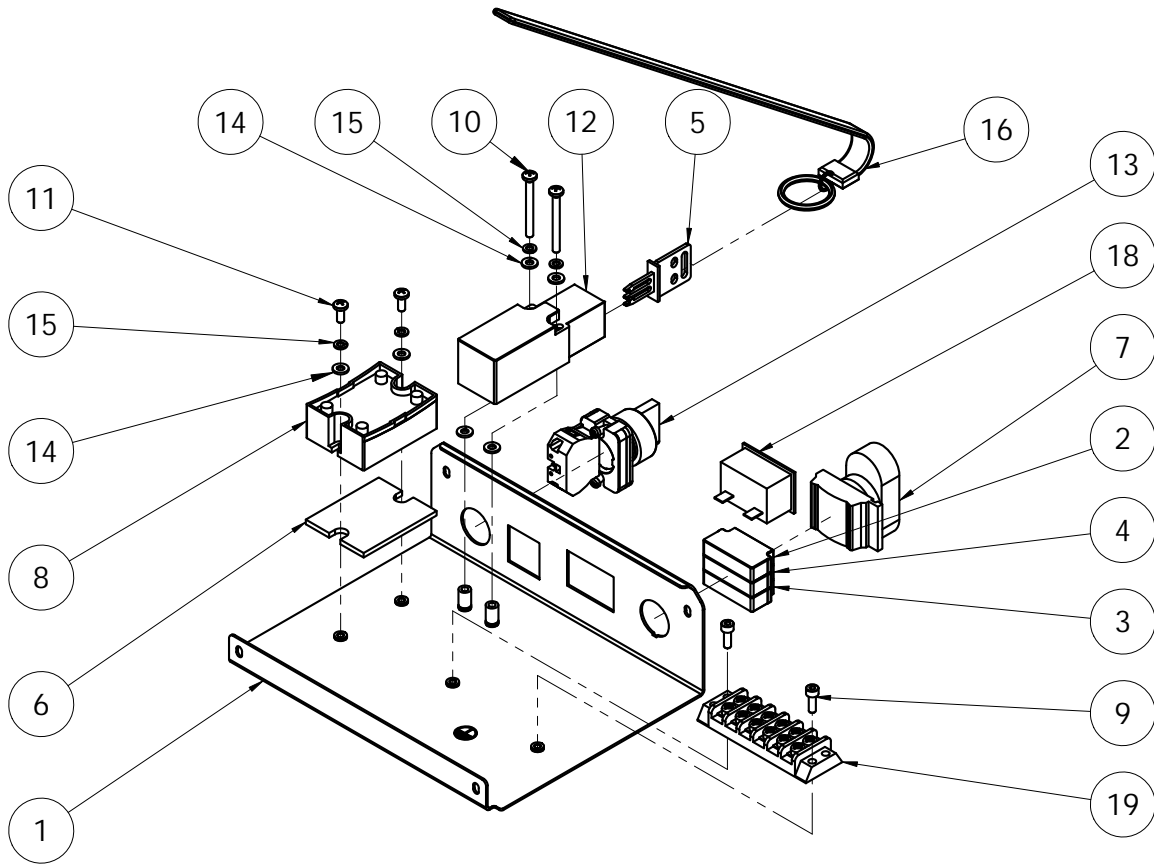
NOTE: 6X 403185 (TERMINAL, RING, 12-10GA, #6) ARE NOT SHOWN

ITEM NO.	HELIX-10XXXX HELIX-23XXXX	HELIX-12XXXX	HELIX-28XXXX	HELIX-20XXXX	HELIX-11XXXX HELIX-13XXXX HELIX-26XXXX	HELIX-15XXXX	HELIX-27XXXX	DESCRIPTION	QTY.
23	402727-BLK	402727-G	403804-BLK	402727-BLK	403834-BLK	403834-O	403834-BLK	Cover, Handle, Upper, Pivoting	1
24	6280-168	6280-168	72565	72565	72565	72565	402839	Cord, Power	N/A
25			403719	401486	401438	401438		Plug, Electrical	1



# Parts List and Diagrams

## CONTROL PANEL

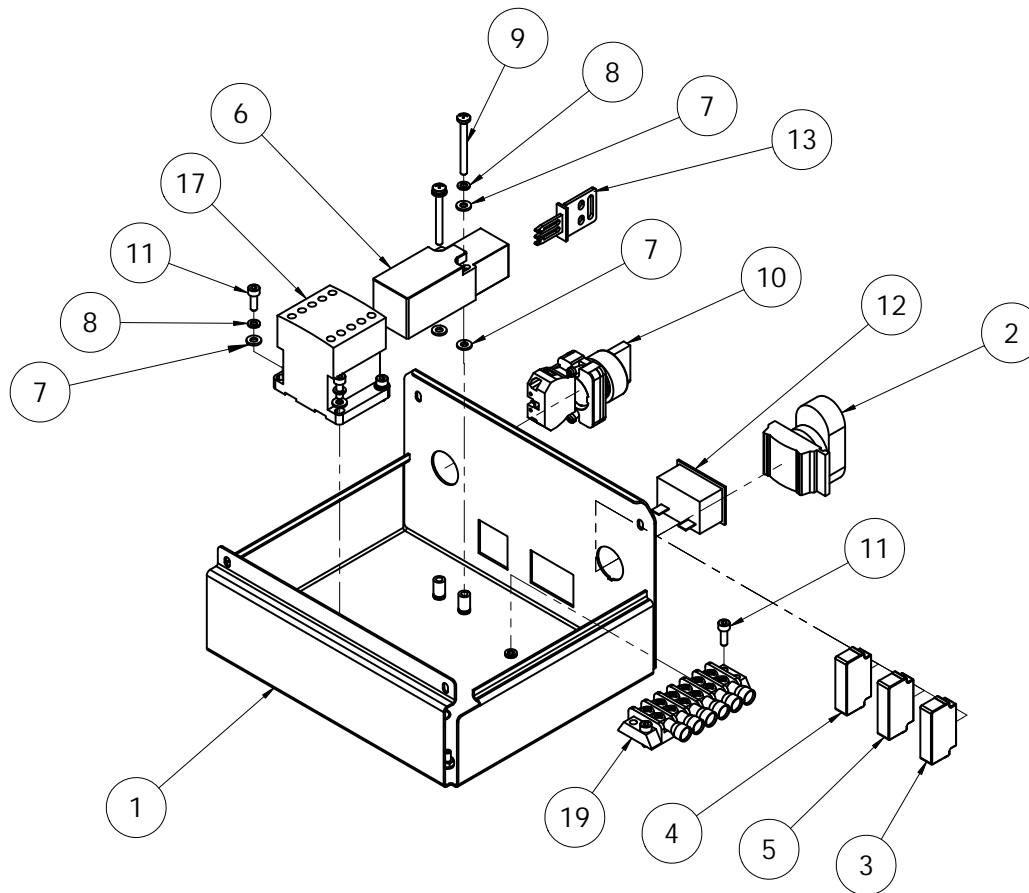


ITEM NO.	HELIX-10XXXX HELIX-12XXXX HELIX-20XXXX HELIX-23XXXX	HELIX-28XXXX	DESCRIPTION	QTY.
1	402768	403800	Cover, Electric Box, Pivoting Handle	1
2	403879	403879	Contact, NC, Pushbutton, BF	1
3	403880	403880	Contact, NO, Pushbutton, BF	1
4	403881	403881	Block, LED Lamp, Green, 110VAC, BF	1
5	402774	402774	Key, Safety Switch	1
6	402784	402784	Plate, Heat Sink, Relay	1
7	403877	403877	Pushbutton, On/Off, Light, BF	1
8	402772	402772	Relay, Solid State, 90-280VAC, 75A, SPST	1
9	401653	401653	SHCS, M4-0.7 x 12	2
10	402785	402785	Screw, PPH, M4-0.7 x 40mm, Zinc	2
11	403075	403075	Screw, Pan Head Machine, M4X0.7 - 10mm	2
12	402773	402773	Switch, Safety, 10A	1
13	403158	403158	Switch, Selector, Two position	1
14	401326	401326	Washer, Flat, M4	6
15	402787	402787	Washer, Lock, #8	4
16	403044	403044	Wrap, Wrist, Safety	1
18	403253	403253	Meter, Hour, Digital, 90-64VAC, 10-300VDC, 50/60Hz, Snap-on	1
19	403316	403316	Harness, Wire, M2000	1

NOTE: WIRES ARE NOT SHOWN FOR 403316

# Parts List and Diagrams

## CONTROL PANEL

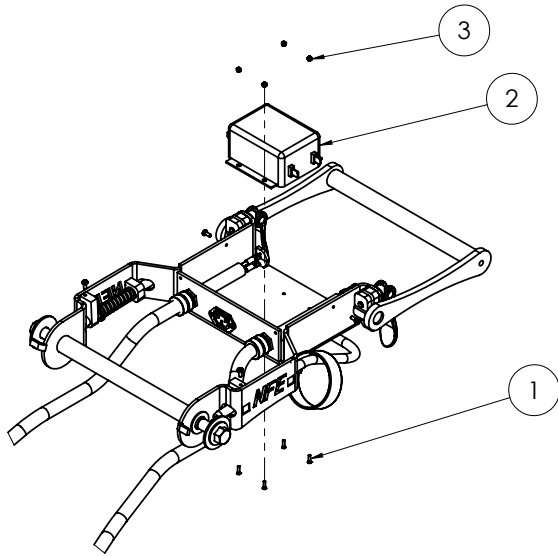


ITEM NO.	HELIX-11XXXX HELIX-13XXXX HELIX-15XXXX HELIX-26XXXX HELIX-27XXXX	DESCRIPTION	QTY.
1	403829	Cover, Electric Box, Pivoting Handle, 2.17" Flange	1
2	403877	Pushbutton, On/Off, Light, BF	1
3	403879	Contact, NC, Pushbutton, BF	1
4	403880	Contact, NO, Pushbutton, BF	1
5	403878	Block, LED Lamp, Green, 220VAC, BF	1
6	402773	Switch, Safety, 10A	1
7	401326	Washer, Flat, M4	8
8	402787	Washer, Lock, #8	7
9	402785	Screw, PPH, M4-0.7 x 40mm, Zinc	2
10	403158	Switch, Selector, Two position	1
11	401653	SHCS, M4-0.7 x 12	6
12	403253	Meter, Hour, Digital, 90-64VAC, 10-300VDC, 50/60Hz, Snap-on	1
13	402774	Key, Safety Switch	1
15	403044	Wrap, Wrist, Safety	1
16	403185	Terminal, Ring, 12-10ga, #6	6
17	403828	Contactor, 230V, 50/60Hz, 12A, 3 Pole	1
19	403873	Harness, Wire, Helix, 2.17" Flange	1

\*NOT SHOWN (WIRES FOR 403316 NOT SHOWN)

# Parts List and Diagrams

## HANDLE ASSEMBLY (INTERNATIONAL ONLY)

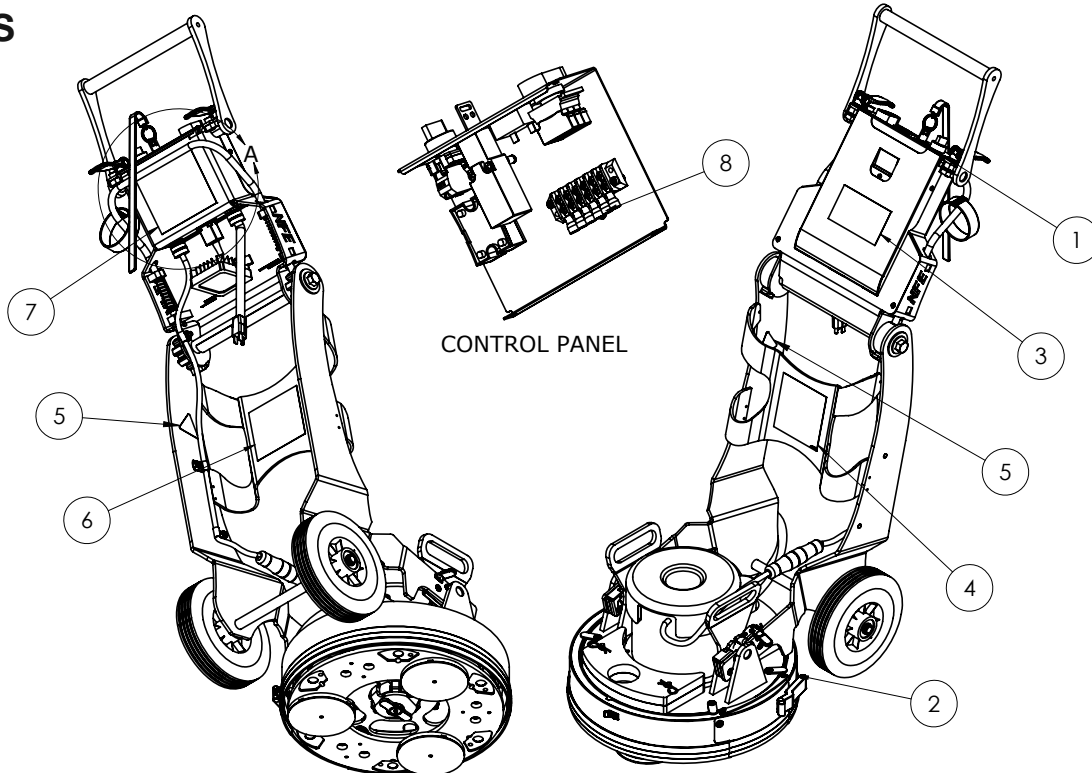


ITEM NO.	HELIX-11XXXX HELIX-13XXXX HELIX-15XXXX HELIX-26XXXX HELIX-27XXXX	HELIX-28XXXX	DESCRIPTION	QTY.
1	403187	403187	Screw, Flathead Machine, M3-0.5 x 12mm	6
2	403848	403802	Filter, Electrical, 250V	1
3	403115	403115	Nut, M3-0.5, Nylock	4
4	403809	403809	Terminal, Insulated, 12-10 Gauge, Female, Quick Disconnect	5
5	403150	403150	Terminal, Spade, 12-10 Gauge, Nylon, Piggy Back	1

NOTE: HELIX-10XXXX, HELIX-12XXXX, HELIX-20XXXX, HELIX-23XXXX WILL NOT NEED THESE PARTS

\*NOT SHOWN

## LABELS

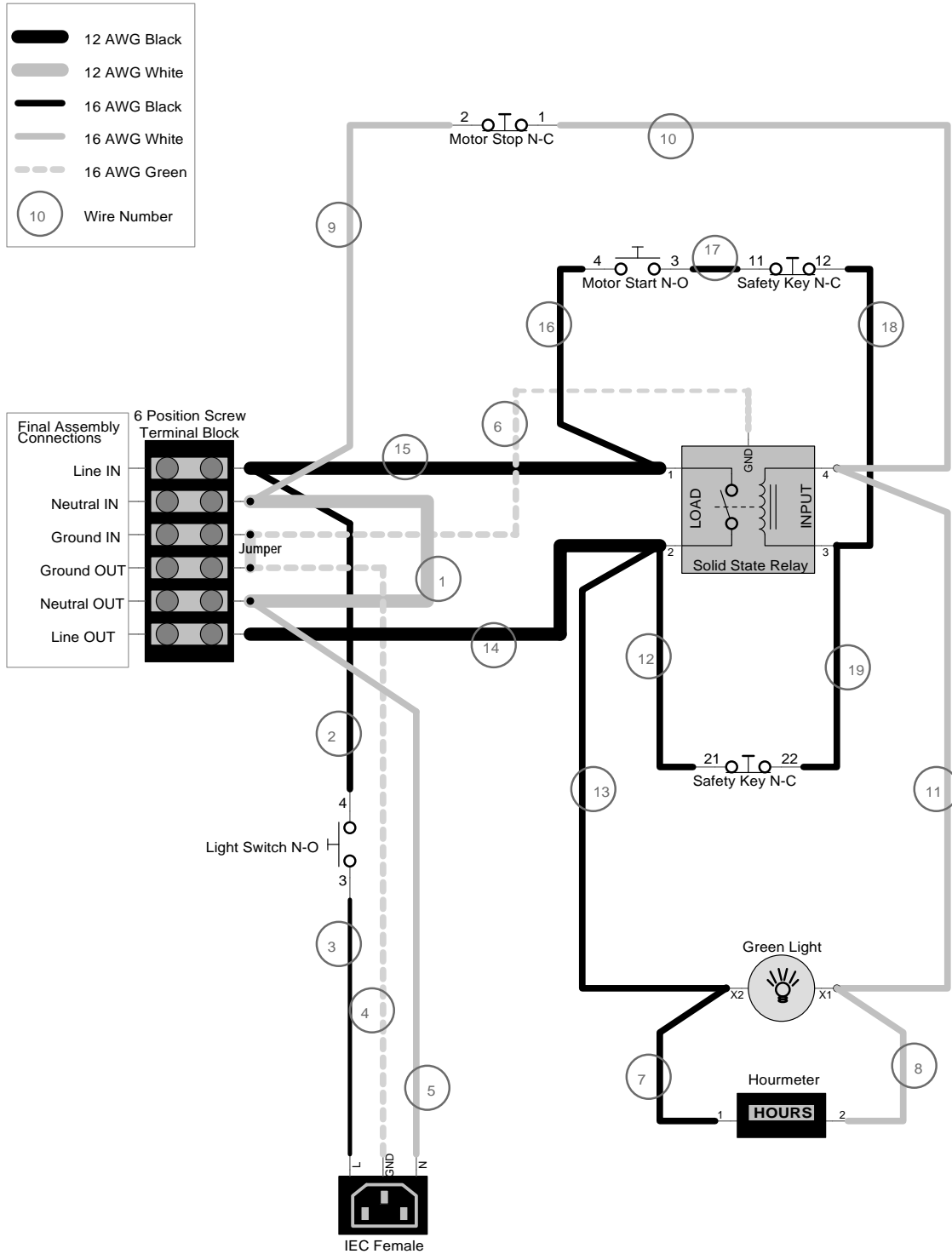


ITEM NO.	HELIX-10XXXX HELIX-12XXXX HELIX-20XXXX HELIX-23XXXX	HELIX-28XXXX	HELIX-11XXXX HELIX-13XXXX HELIX-15XXXX HELIX-26XXXX HELIX-27XXXX	DESCRIPTION	QTY.
1	403066	403832	403831	Label, Control Panel	1
2	403060	403060	403060	Label, Entanglement Hazard	1
3	403049	403049	403049	Label, Helix	1
4	402463	402463	402463	Label, National Logo, 4.5 x 4.5	1
5	403065	403065	403065	Label, Pinch Point Hazard	2
6	403062	403062	403062	Label, Safety Guideline	1
7	403061	403061	403061	Label, Specification	1
8	403086	403086	403086	Label, Ground	1

# Parts List and Diagrams

## WIRING DIAGRAM

### Helix Control Panel Schematic



# Warranty

---

National Flooring Equipment Inc. (referred to as "the Company") warrants that each new unit manufactured by The Company, to be free from defects in material and workmanship in normal use and service for a period of twelve (12) months from date of shipment from the Company. For administrative ease, will honor warranty for a period of fifteen (15) months from date of shipment from the company. Accessories or equipment furnished and installed on the product by the Company but manufactured by others, including but not limited to: engines, motors, electrical components, transmissions etc., shall carry the accessory manufacturers own warranty. Battery warranties are prorated over the warranty period. Customer is responsible for the inspection of equipment / parts upon delivery. Freight damages reported beyond authorized time frame will not be honored.

The Company, at its determination of defect, will repair or replace any product or part deemed to be defective in material or workmanship within specified warranty time period. All product determinations and / or repairs will take place at the designated Company repair facility, or at a certified warranty location designated by the Company. The Company will coordinate and be responsible for all freight expenses associated with valid warranty claims. Freight and shipping expenses associated with abuse or misuse will be back charged to the Distributor/Customer. The Company reserves the right to modify, alter or improve any part / parts without incurring any obligation to replace any part / parts previously sold without such modified, altered or improved part / parts. In no event shall the seller or manufacturer of the product be liable for special, incidental, or consequential damages, including loss of profits, whether or not caused by or resulting from the negligence of seller and / or the manufacturer of the product unless specifically provided herein. This warranty shall not apply to any products or portions there of which have been subjected to abuse, misuse, improper installation or operation, lack of recommended maintenance, electrical failure or abnormal conditions and to products which have been tampered with, altered, modified, repaired, reworked by anyone not approved or authorized by the Company or used in any manner inconsistent with the provisions of the above or any instructions or specifications provided with or for the product. Any and all unauthorized onsite warranty work conducted by unauthorized personnel or any outside person(s), is not covered by the Company unless the work has been pre-authorized by a predetermined manufacturer representative. This excludes wearable parts and/or consumables.

Defective or failed material or equipment shall be held at the purchaser's premises until authorization has been granted by the Company to return or dispose of defective products. Products returned for final inspection must be returned with a manufacturer authorized Return Material Authorization (RMA). Any unauthorized return of equipment will be declined at the dock by the Company. Any non-approved items returned with approved returned items are subject to rejection and will not be credited. Credit will be issued for material found to be defective upon the Company's inspection based on prices at time of purchase.

**TO OBTAIN SERVICE CONTACT NATIONAL FLOORING EQUIPMENT, INC. TOLL FREE AT 800-245-0267 FOR A REPAIR AUTHORIZATION NUMBER. COD FREIGHT RETURNS WILL NOT BE ACCEPTED. FREIGHT COLLECT SHIPMENTS WILL NOT BE ACCEPTED. WARRANTY REPAIRS MUST BE ACCOMPANIED BY DATE OF PURCHASE RECEIPT AND A RETURN/REPAIR AUTHORIZATION NUMBER.**

**RETURN/REPAIR AUTHORIZATION NUMBER:** \_\_\_\_\_

**MACHINE SERIAL NUMBER:** \_\_\_\_\_



9250 Xylon Avenue N • Minneapolis, MN 55445 • U.S.A.  
Toll-free 800-245-0267 • Phone 763-315-5300 • Fax 800-648-7124 • Fax 763-535-8255  
Web Site: [www.nationalequipment.com](http://www.nationalequipment.com) • E-Mail: [info@nationalequipment.com](mailto:info@nationalequipment.com)