

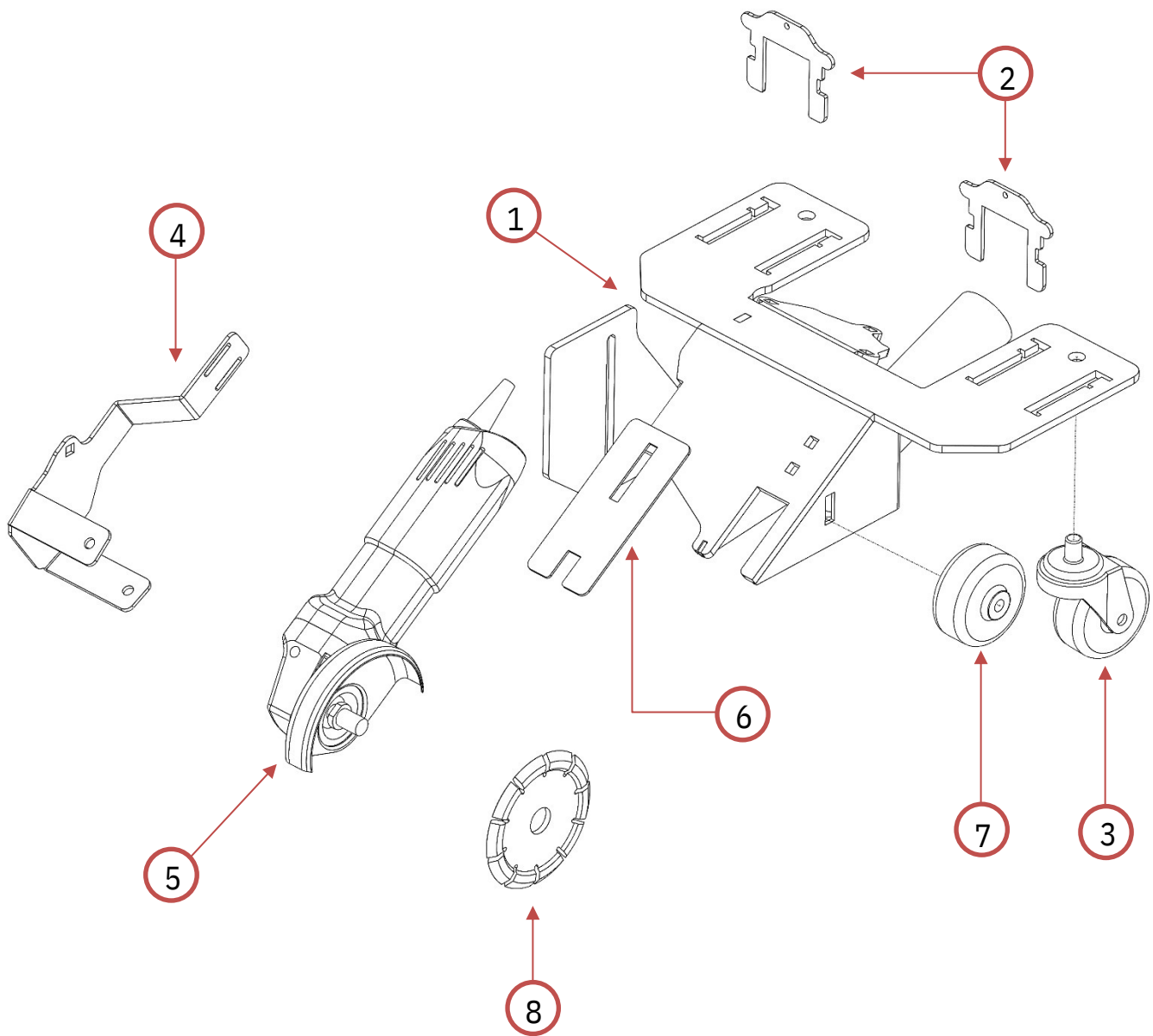
# GorillaConcreteTools

## GCT-4.5 Grab & Go Crack Chaser

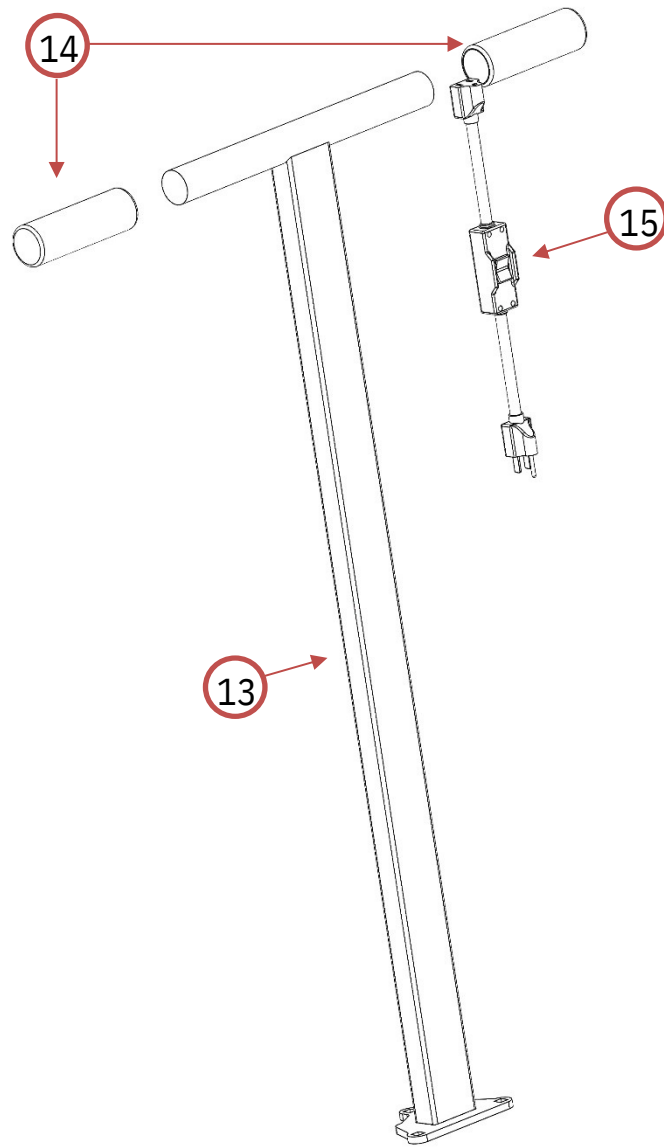
### Product Manual



# Parts Diagram



Part #	Description
4.5 - 1	Main Base
4.5 - 2	Caster Wheel Lock
4.5 - 3	Caster Wheel
4.5 - 4	Grinder Mount
4.5 - 5	Motor
4.5 - 6	Dust Guard
4.5 - 7	Front Wheel
4.5 - 8	4.5" Crack Chasing Blade
4.5 - 9	Motor Retention Strap (Not Pictured)



Part #	Description
4.5 - 13	Saw Handle
4.5 - 14	Handle Grip
4.5 - 15	Electrical Box   On/off switch
4.5 - 16	Handle Assembly

# Product Set-Up

## Warnings!

*These instructions are only intended to show you the set-up of our saw.*

*Do not use until you have been trained on how to properly operate a walk behind concrete saw.*



Stay clear of others while in operation.  
Debris can fly from blade area.  
Eye and face protection required.



Respirator required.  
Operate in well ventilated area.



Ear protection required.

## Handle Installation: (Yellow Arrows)

1. Install the handle as shown.
2. Plug the grinder into the remote power box.

*Never leave the machine plugged in while unattended or replacing the blade.*

## Set-Up:

1. The GCT--4.5 is assembled for maximum cutting depth. If you would like to decrease the cutting depth, loosen the motor mount bolts and slide them up or down to adjust the depth. (Blue Arrow)
2. Tighten the bolts when desired depth has been achieved.
3. Install the blade per the grinder manual's instructions.
4. Verify that the dust deflector is adjusted within 3/8" of the blade for optimum dust control. (Green Arrow) *DO NOT allow the dust deflector to contact the blade.*
5. Verify that the blade guard is rotated as far clockwise as possible. (Green Arrow)
6. Connect your vacuum hose to the 2" dust port located at the back of the machine. (Red Arrow)



**Figure 2**



## Cutting Modes:

- The GCT-4.5 has two cutting modes, Crack Chasing and Straight Cut/Transport.
- In order to change from straight cut/transport mode to crack chasing mode (Orange Arrow), lift the wheel lock and slide forward, then lower into the opposite slot.