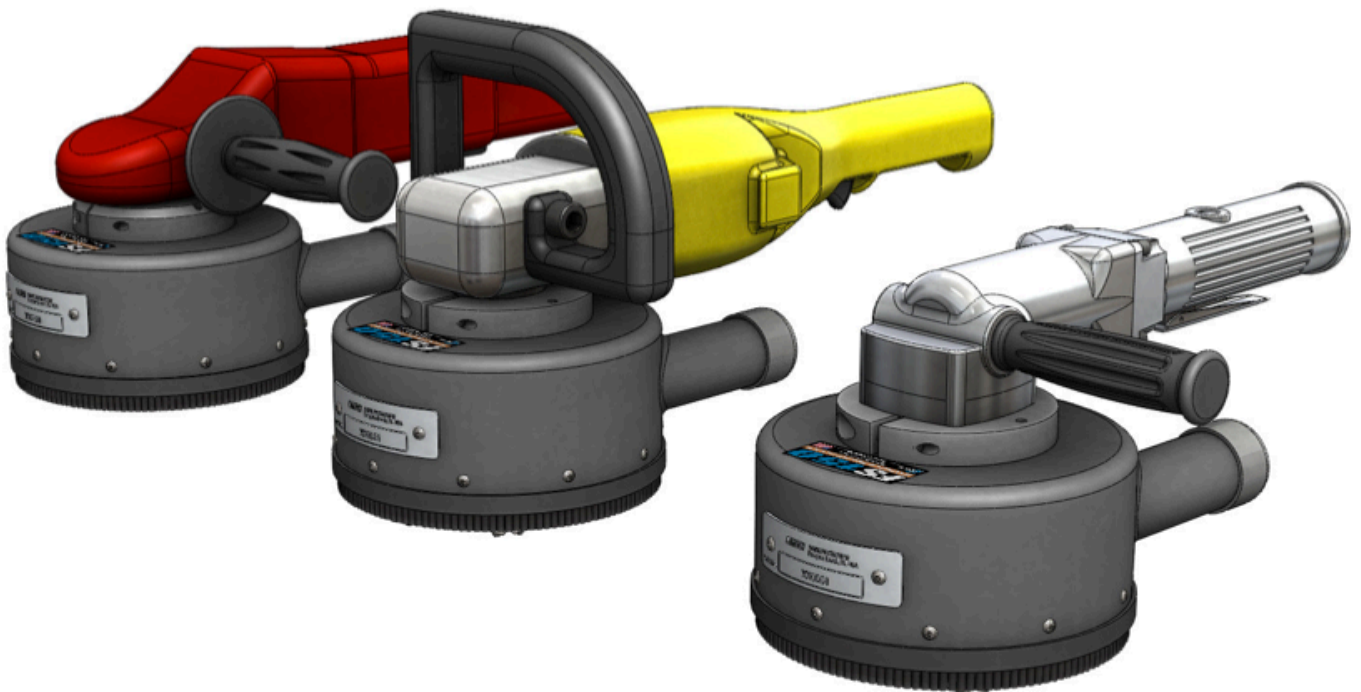


# FS150

## Hand-held portable scarifiers

CUTTER DRUM ASSEMBLIES



**1-800-653-9311**

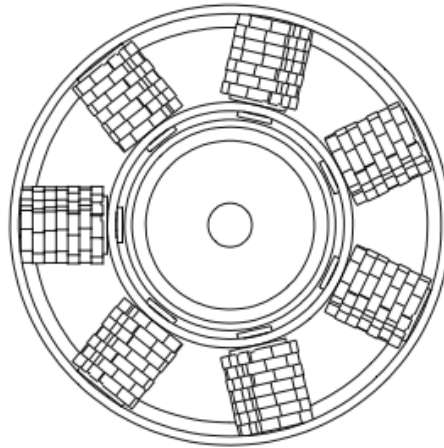
[www.SmithMfg.com](http://www.SmithMfg.com)

Phone: 954-941-9744 • Fax: 954-545-0348

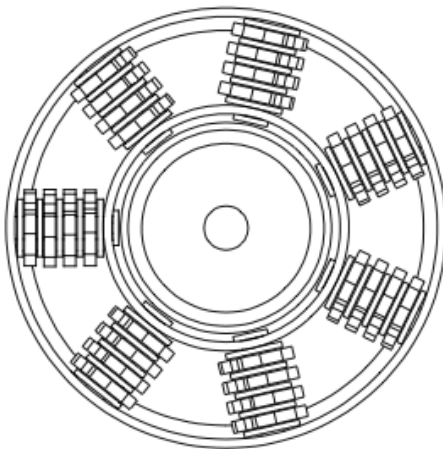
# CF0409 OPTIONS



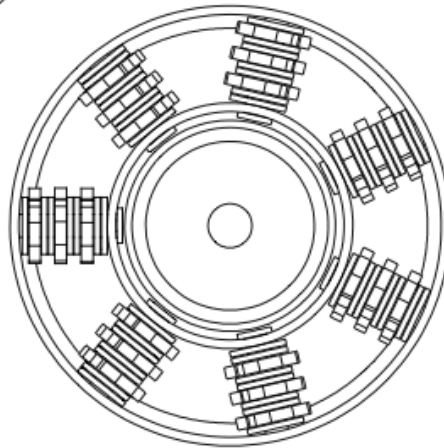
**PART NUMBER:**



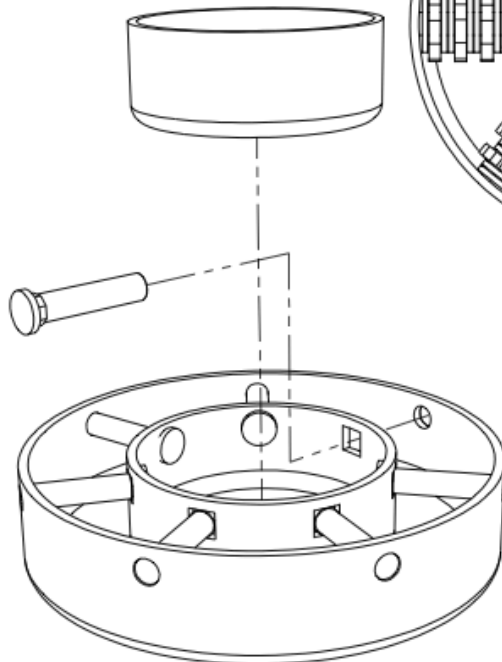
<b>FINE FINISH</b>	<b>7 SHAFTED</b>
Drum assembly:	FS150.0409.F
Rebuild kit:	FS150.0409.F.RK



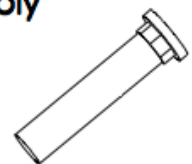
<b>MEDIUM FINISH</b>	<b>7 SHAFTED</b>
Drum assembly:	FS150.0409.M
Rebuild kit:	FS150.0409.M.RK



<b>COARSE FINISH</b>	<b>7 SHAFTED</b>
Drum assembly:	FS150.0409.C
Rebuild kit:	FS150.0409.C.RK



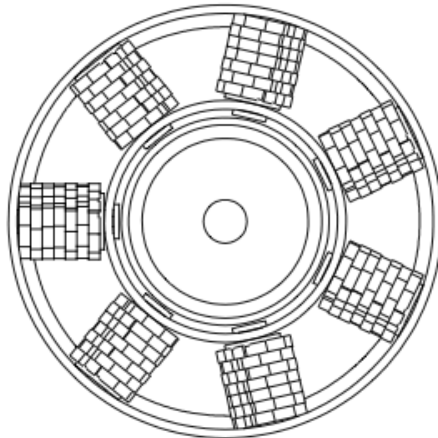
Each rebuild kit contains enough cutters, spacers and shafts to replace the existing ones in the assembly



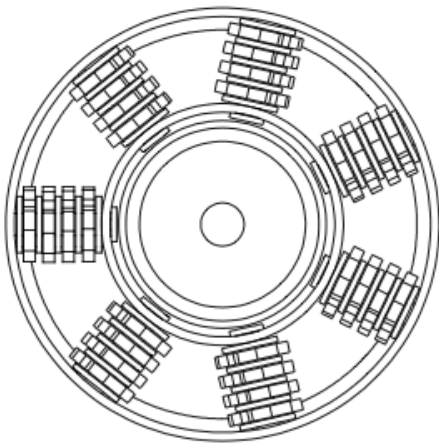
# CF0410 OPTIONS



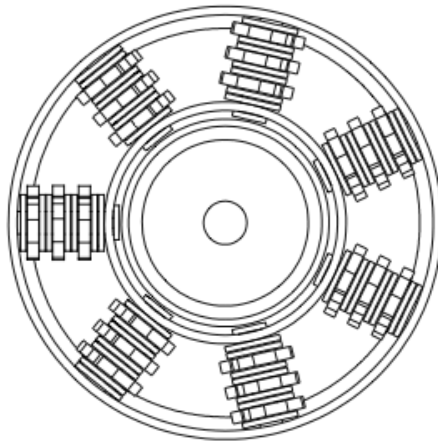
**PART NUMBER:**



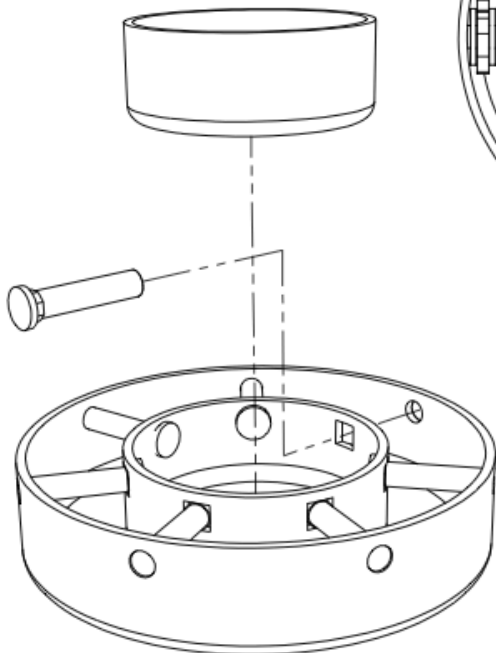
<b>FINE FINISH</b>	<b>7 SHAFTED</b>
Drum assembly:	FS150.0410.F
Rebuild kit:	FS150.0410.F.RK



<b>MEDIUM FINISH</b>	<b>7 SHAFTED</b>
Drum assembly:	FS150.0410.M
Rebuild kit:	FS150.0410.M.RK



<b>COARSE FINISH</b>	<b>7 SHAFTED</b>
Drum assembly:	FS150.0410.C
Rebuild kit:	FS150.0410.C.RK

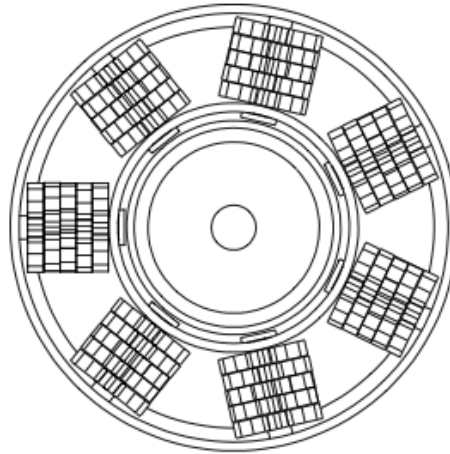


**Each rebuild kit contains enough cutters, spacers and shafts to replace the existing ones in the assembly**

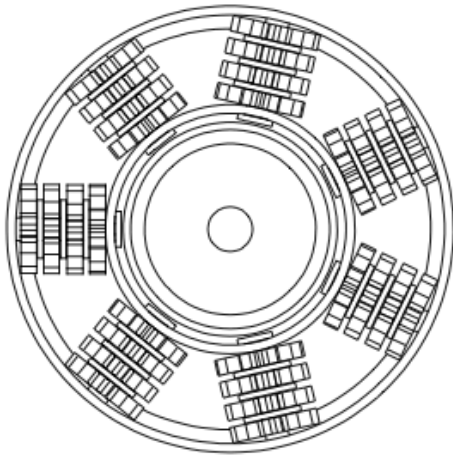


# CF0411 OPTIONS

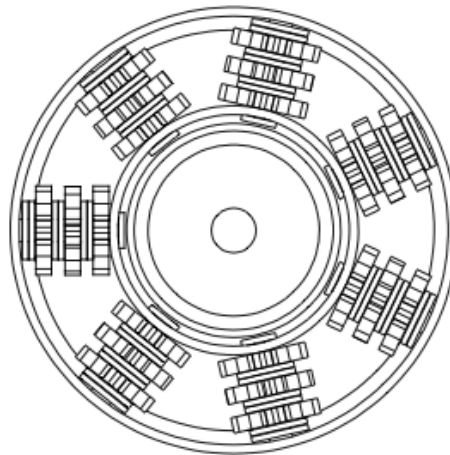
**PART NUMBER:**



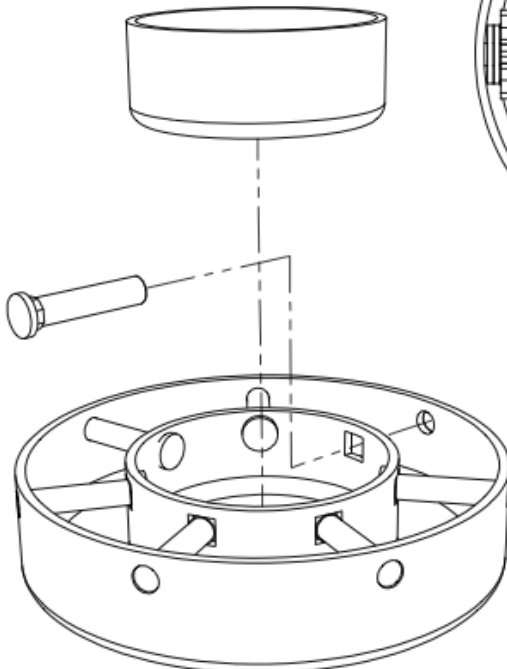
<b>FINE FINISH</b>	<b>7 SHAFTED</b>
Drum assembly:	FS150.0411.F
Rebuild kit:	FS150.0411.F.RK



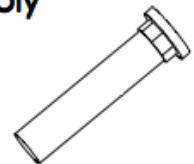
<b>MEDIUM FINISH</b>	<b>7 SHAFTED</b>
Drum assembly:	FS150.0411.M
Rebuild kit:	FS150.0411.M.RK

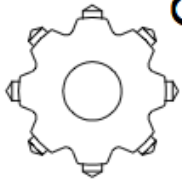


<b>COARSE FINISH</b>	<b>7 SHAFTED</b>
Drum assembly:	FS150.0411.C
Rebuild kit:	FS150.0411.C.RK



Each rebuild kit contains enough cutters, spacers and shafts to replace the existing ones in the assembly

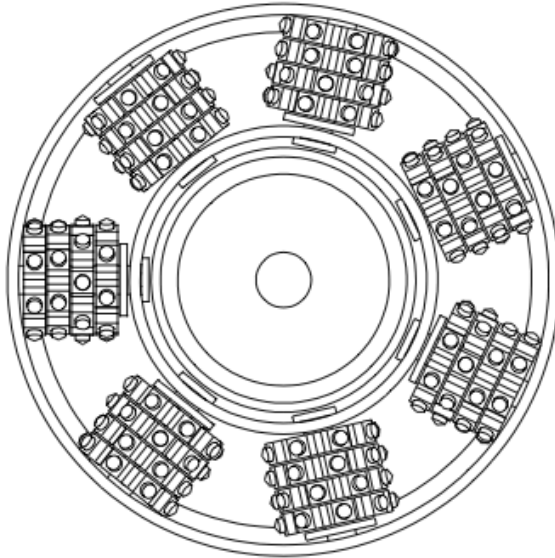




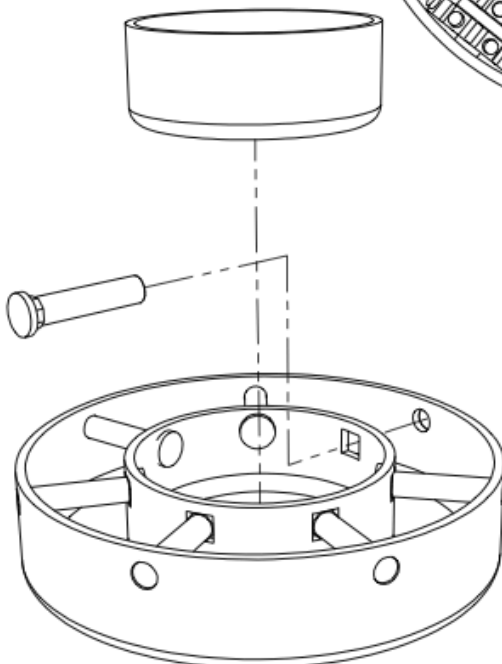
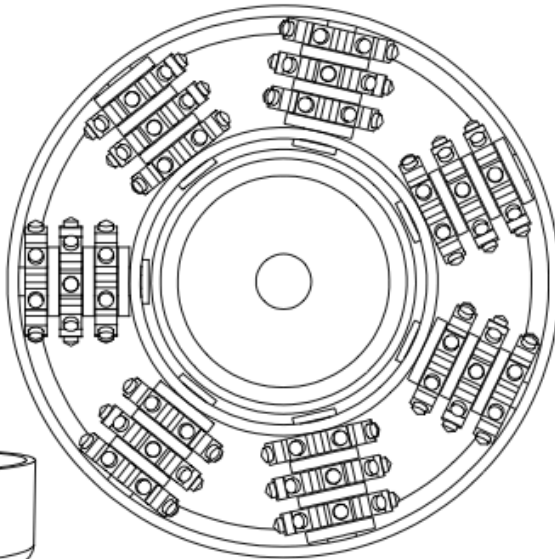
## CF1519 OPTIONS

**PART NUMBER:**

<b>FINE FINISH</b>	<b>7 SHAFTED</b>
Drum assembly:	FS150.1519.F
Rebuild kit:	FS150.1519.F.RK



<b>MEDIUM FINISH</b>	<b>7 SHAFTED</b>
Drum assembly:	FS150.1519.M
Rebuild kit:	FS150.1519.M.RK



Each rebuild kit contains enough cutters, spacers and shafts to replace the existing ones in the assembly

