



“Express” Water Wagon Fire Control Trailer Arena Express Water Wagon Repair Parts

Express Water Wagons	35 - 51
500 Gallon Trailer Assembly.....	36
800 Gallon Trailer Assembly.....	37
1,025 Gallon Trailer Assembly.....	38
1,600 Gallon Trailer Assembly.....	39
500 Gallon Trailer Assembly w/ pressure washer	40
Pressure Washer Plumbing.....	41
Axles & Hubs.....	42
Lighting.....	43
Trailer Pump & Plumbing.....	44
Suction Plumbing	45
Spray Bar Assembly	45
Skid Assembly	47
Skid Pump & Plumbing.....	48 - 49
Suction Kit, Fire Hose, Side Watering Kit , Anti-Siphon Fill Kit, Garden Hose, Hose Reel Kit	50 - 51
 Fire Control Trailers	 52 - 55
500, 800 Gallon Trailer Assembly.....	52
1,025 Gallon Trailer Assembly.....	53
Torsion Axles	54
1,025 Gallon Fire Control Plumbing	55
 Arena Express Water Wagons	 56 - 57
500, 1,025 Gallon Trailer Assembly.....	56
Arena Express Plumbing.....	57
 Tsurumi Pump.....	 58
Banjo Pump.....	59



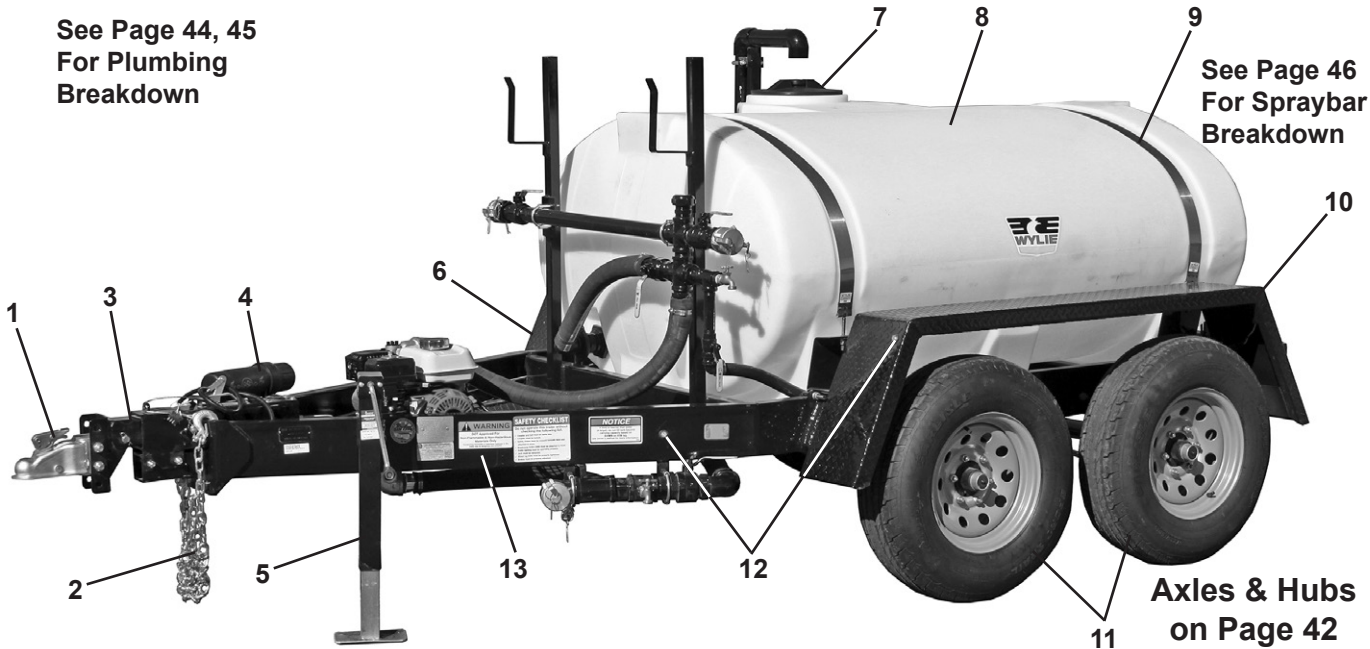
“Express” Trailer Frame

W1245LWT-S
W1245LWT-E

500 Gallon w/surge brakes
500 Gallon w/electric brakes

See Page 44, 45
For Plumbing
Breakdown

See Page 46
For Spraybar
Breakdown



**Axles & Hubs
on Page 42**

No.	Part No.	Description	No.	Part No.	Description
1	09430-95	2" Ball Hitch	7	TLVA10	10" Tank Lid
2	SC43-49	Safety Chain Kit	8	T500HELNK	500 Gal. Ellip. Leg Tank w/lid
3	8759138	DA91 Surge Brake Actuator	9	W720144	#68-T-2" x 90" (86") Tank Band
	W930233	Breakaway Box Mt Bkt (Elec) (NS)	10	W124547	LH Fender
	50-85-315	Breakaway Elec. Brake System w/Charger (NS)	11	34774	ST225/75D15 Wheel & Tire
4	67670-K	Operator Manual Canister	12	534BAK2B	¾" LED Amber Clearance Marker
5	HD500-SWL-TMR-PZ-M	Side Wind Jack	13	W124546	Frame
6	W124548	RH Fender		4781	Hydraulic Line Kit (not shown)



W1276S

800 Gallon w/surge brakes



See Page 44, 45
For Plumbing
Breakdown

See Page 46
For Spraybar
Breakdown

Axles & Hubs
on Page 42

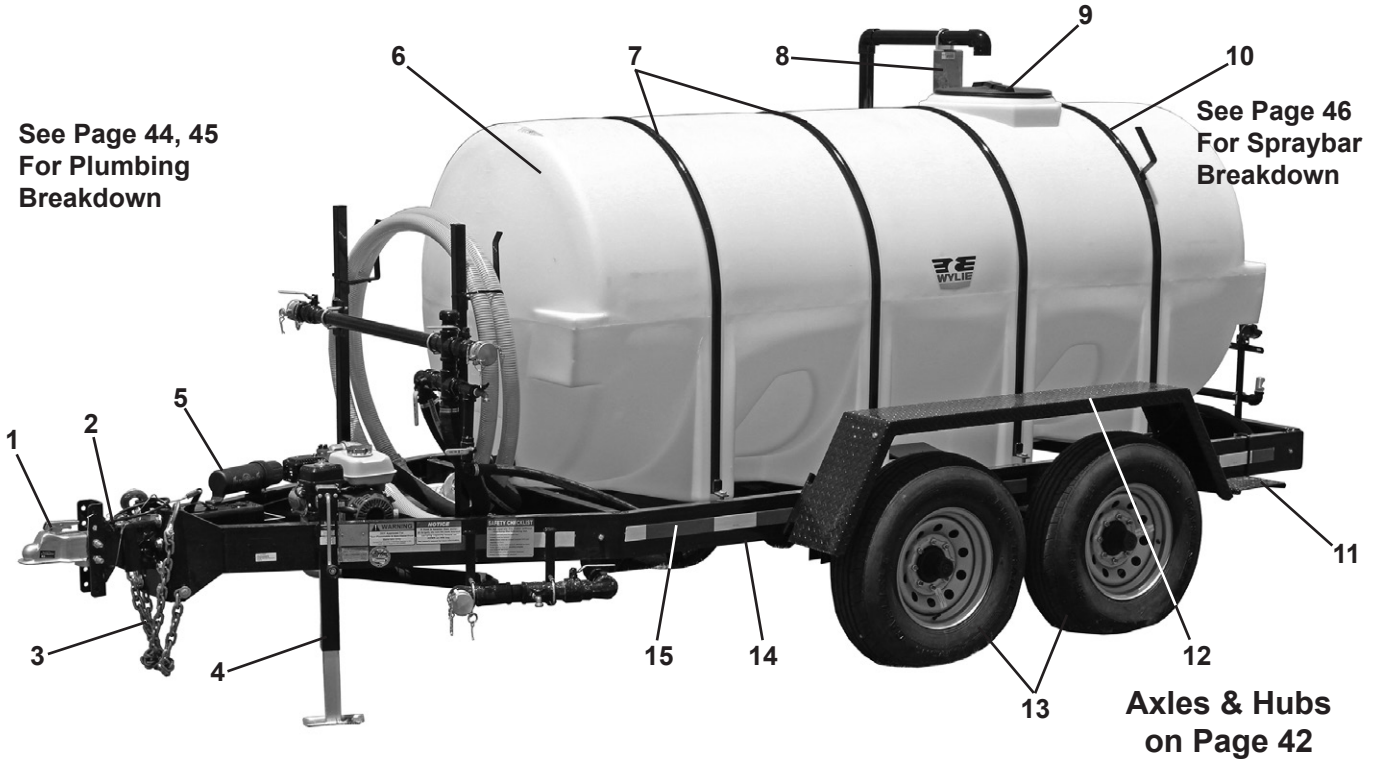
No.	Part No.	Description	No.	Part No.	Description
1	05557-81	2 5/16" Ball Hitch	8	T800LDNK	800 Gal. Leg Tank w/lid & sump
2	SC43-39-800S	Safety Chain Kit	9	W127605	Tank Hoop
3	8101031	10K Surge Actuator	10	W127611	LH Fender
4	HD500-SWL-TMR-PZ-M	Side Wind Jack	11	457861	ST225/90D16 Wheel & Tire
5	67670-K	Operator Manual Canister	12	W127602	Frame
6	W127612	RH Fender		4781	Hydraulic Line Kit (not shown)
7	352060	18" Tank Lid			



“Express” Trailer Frame

W1241WT-S2

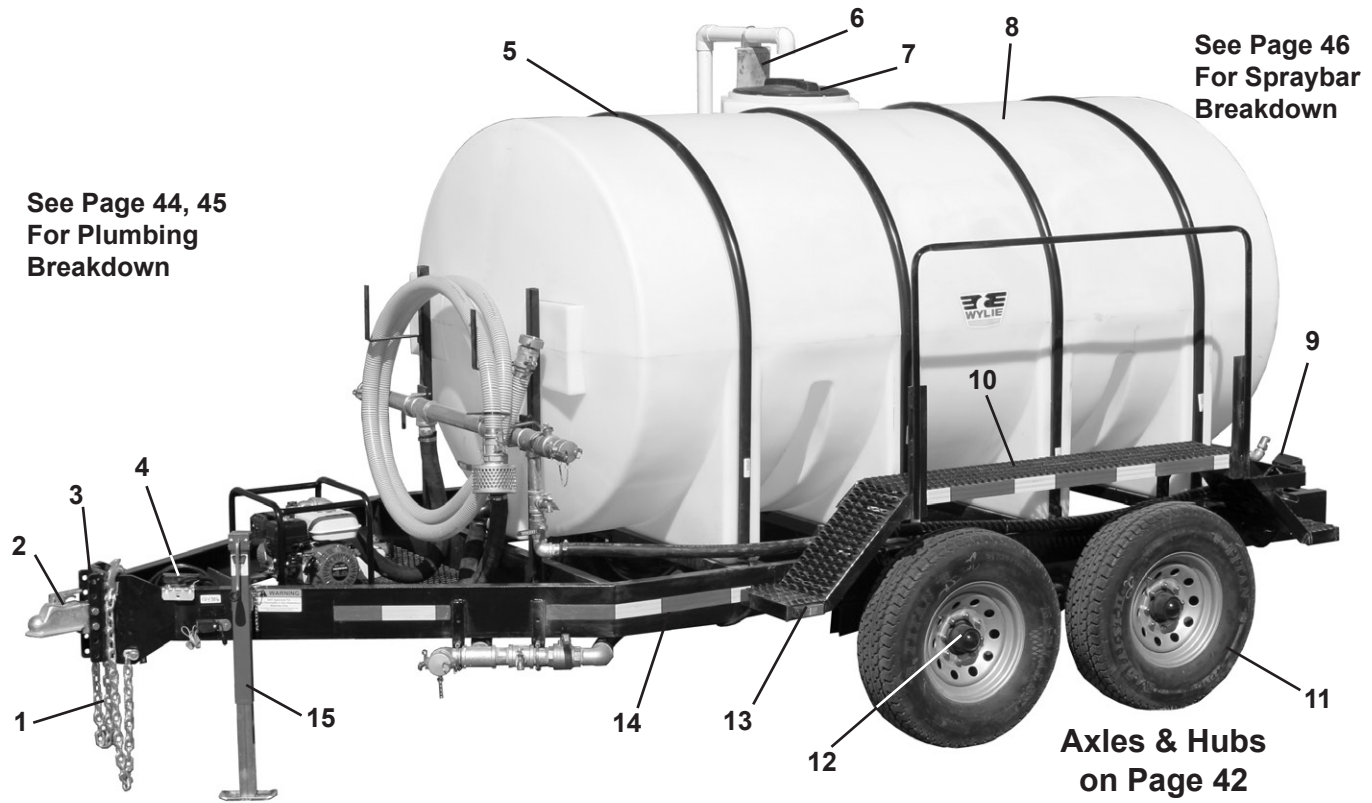
1,025 Gallon w/surge brakes



No.	Part No.	Description	No.	Part No.	Description
1	07678-81	2 5/16" Ball Hitch	9	352060	18" Tank Lid
2	W121121	20,000# Surge Brake Actuator	10	W120511	Hoop w/ hose hook
3	SC70-49	Safety Chain Kit	11	W1241-STEP	Bolt-On Step
4	HD500-SWL-TMR-PZ-M	Side Wind Jack	12	W124113	LH Fender
5	67670-K	Operator Manual Canister		W124114	RH Fender
6	T1025LSNK	1,025 Gal. Full Drain Leg Tank w/ lid	13	457861	ST225/90D16 Wheel & Tire
7	W120502	Hoop	14	W124112	Frame
8	W124509	Stabilizer Bracket	15	TMP-3M-980-02	Reflective Red/White Tape
				4781	Hydraulic Line Kit (not shown)

W1243WT-E

1,600 Gallon w/electric brakes



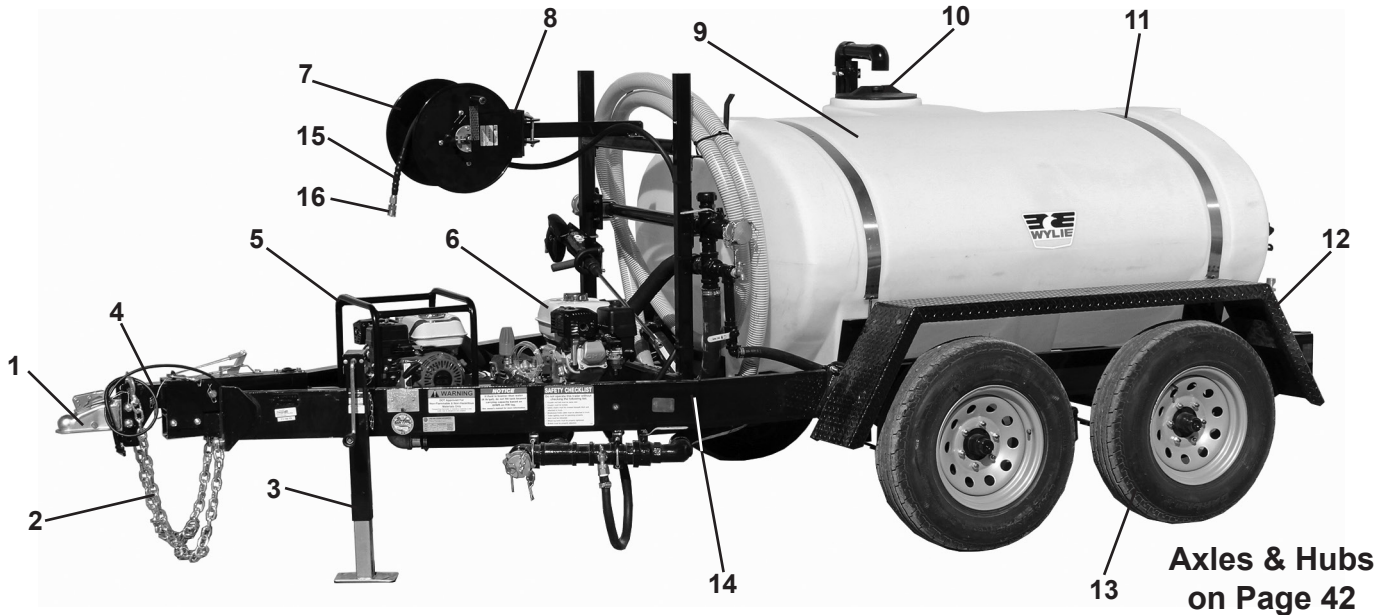
No.	Part No.	Description	No.	Part No.	Description
1	SC70-39	Safety Chain Kit	8	T1600LDNK	1,600 Gal. Leg Tank w/lid & sump
2	07678-81	2 5/16" Ball Hitch	9	542BR	Tail Light
3	W121124	Hitch Plate	10	W1203-T3/6	Fender Kit
4	50-85-315	Breakaway Brake System w/charger	11	469141	Wheel & Tire Ass'y. ST235/85R16, 16x6.8
4a	W930233	Breakaway Box Mount Bracket	12	TS80900730865EBC	8,000# Electric Brake Axle
5	W124404	Tank Hoop	13	534BAK	3/4" LED Amber Marker
6	W124509	Stabilizer Bracket	14	W124307	Frame
7	352060	18" Tank Lid	15	35SQ15F-00	Side Wind Jack



"Express" Trailer Frame

EXP-500L-SDP

500 Gallon w/ Pressure Washer

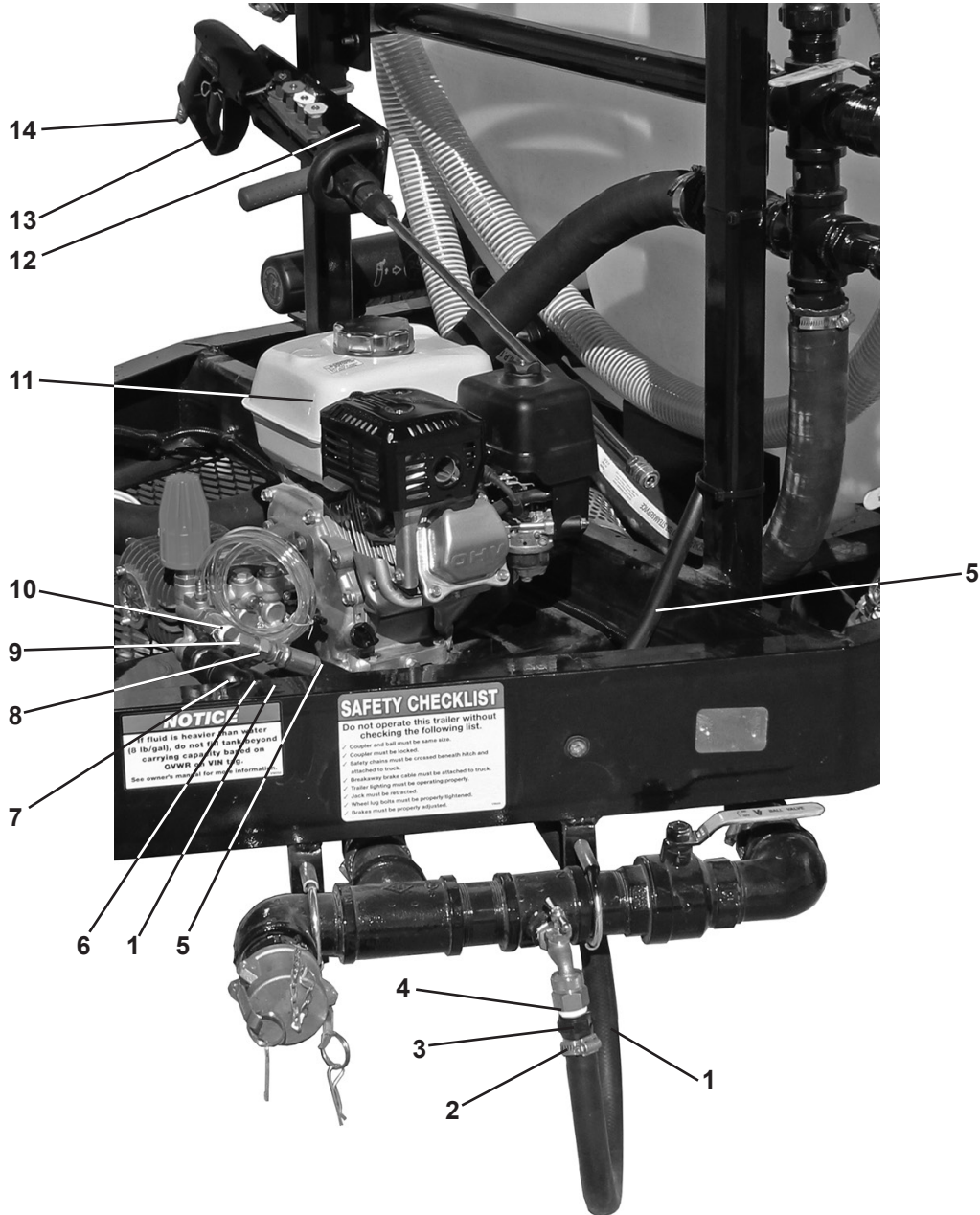


**Axles & Hubs
on Page 42**

No.	Part No.	Description	No.	Part No.	Description
1	09430-95	2" Ball Hitch	9	T500HELNK	500 Gal. Ellip. Leg Tank w/lid
2	SC43-49	Safety Chain Kit	10	TLVA10	10" Tank Lid
3	HD500-SWL-TMR-PZ-M	Side Wind Jack	11	W720144	#68-T-2" x 90" (86") Tank Band
4	8759138	DA91 Surge Brake Actuator	12	W124547	LH Fender
5	TE2-50HA	2" Pump w/ 4 HP Honda Engine		W124548	RH Fender
6	B3065HJ	Pressure Washer Assembly, 2.7 GPM	13	34774	ST225/75D15 Wheel & Tire
7	M10-5-14K	Hose Reel	14	W124557	Frame
8	W930206K	Reel Mount Kit	15	85.225.125	25' High Pressure Hose
			16	4EF4	½" Female Socket

EXP-500L-SDP-PK

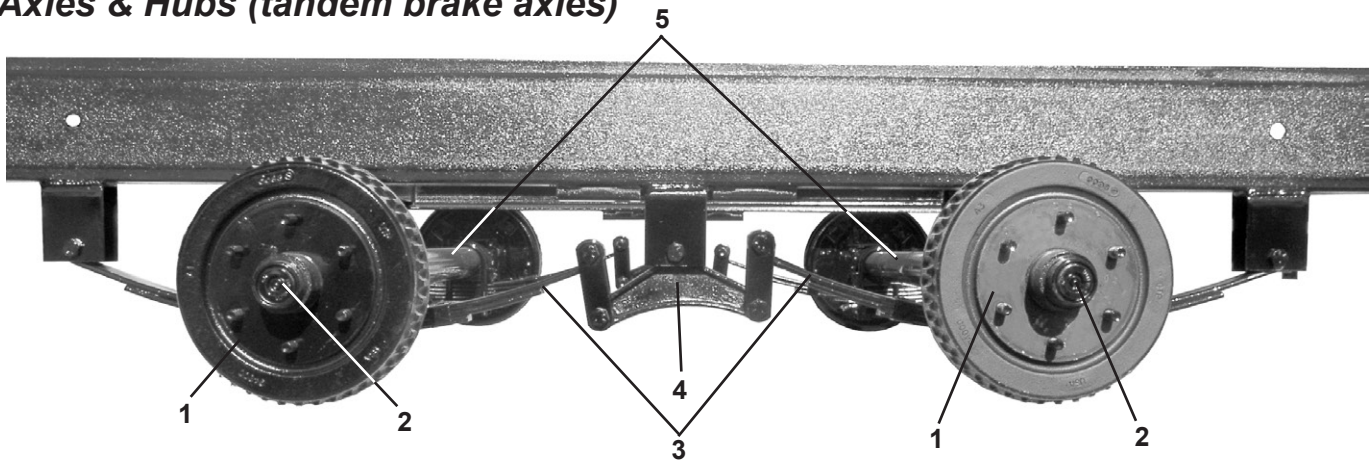
Pressure Washer Plumbing



No.	Part No.	Description	No.	Part No.	Description
1	2-200-075	3/4" Rubber Hose	9	90L-12G	1/2" Galv. Elbow
2	1012	3/4" Hose Clamp	10	RB01238G	1/2"x3/8" Galv. Reducer Bushing
3	D-3434-BR	3/4" MGHT X 3/4" Hose Barb	11	B3065HJ	Pressure Washer Assembly, 2.7 GPM
4	S-2-BR	3/4" FPT Swivel X 3/4" FGHT	12	W930126K	Gun Holder Kit
5	HR2C08-500	1/2" 2 Wire Hose, 8.5'	13	85-205-051	Spray Gun
6	HB-075	3/4" Hose Barb	14	4EM4	1/2" Male Socket
7	EL075-90	3/4" Elbow		4EF4	1/2" Female Socket (not shown)
8	10643-8-8	43 Series - 8 Female JIC Swivel			



Axles & Hubs (tandem brake axles)



Axle & Hub Parts for 500 Gallon Trailer

No.	Part No.	Description	No.	Part No.	Description
1	4701-L	Electric Brake, 10"-2¼" LH	2F	L-44610	Outer Race, 1.98" OD
	4701-R	Electric Brake, 10"-2¼" RH	2G	L-44649	Outer Bearing, 1.0625" ID
	40716	Surge Brake, 10"-2¼" LH	2H	4753	Spindle Washer, 1"
	40715	Surge Brake, 10"-2¼" RH	2J	4754-Q	Spindle Nut, 1"-14
2	94655	Complete Brake Hub Ass'y.	2K	4755	Cotter Pin, 1/8"x2"
	94655-1	Brake hub w/ cups & studs	2L	RP-100	Rubber Plug, Accu-Lube Grease Cap
2B	4-12	Brake Flange	3	4342-17	Spring, Double Eye, 1700#
2C	171255TB	Grease Seal, single lip, 1.709"	4	4102-A	Tandem Hanger Kit
2D	L-68149	Inner Bearing, 1.375" ID	5	TS35705525655EBX	3,500# Elect. Brake Axle w/AccuLube hubs
2E	L-68111	Inner Race, 2.362" OD		TS35705525655FBX	3,500# Surge Brake Axle w/AccuLube hubs

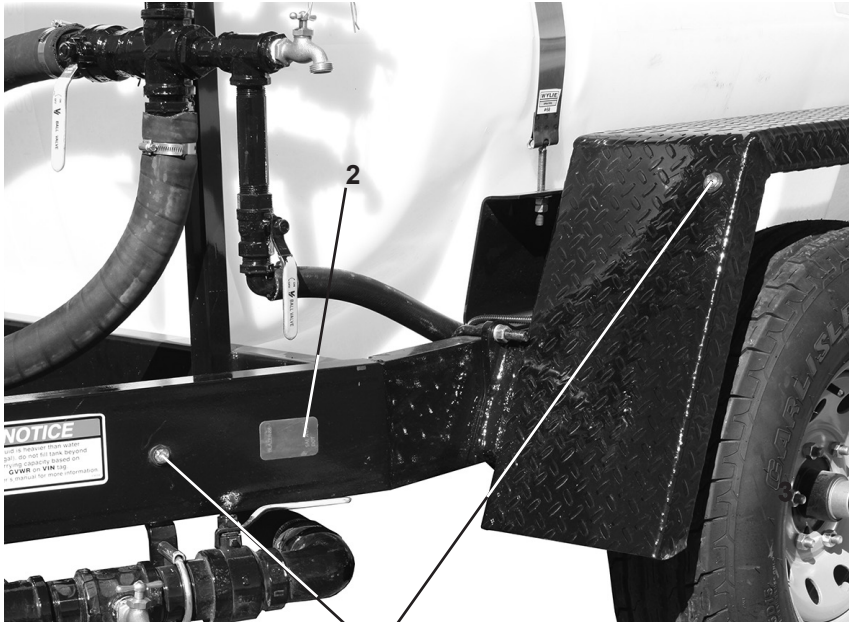
Axle & Hub Parts for 800 Gallon Trailer

No.	Part No.	Description	No.	Part No.	Description
1	42029	Surge Brake, LH	2E	14276	Outer Race, 2.171" OD
	42028	Surge Brake, RH	2F	14125A	Outer Bearing, 1.25" ID
2	92865A-ALM	Brake Hub Ass'y. w/drum	2G	4756	Spindle Nut, .5"-20
	92865A-1	Hub Ass'y. w/cups	2H	1605-AL-100	Cap Assembly, 2.717"
2A	4-6T	Brake Flange	2J	RP-100	Rubber Plug, Accu-Lube Grease Cap
2B	22333TBN	Grease Seal, 2.25"X3.376" OD	3	1203T3	Spring, Slipper, 2.0", 2K, 4 Leaf
2C	25580	Inner Bearing, 1.75" ID	4	4114-H	Tandem Hanger Kit
2D	25520	Inner Race, 2.875" OD	5	TD60760585865FBC	6,000# Surge Brake Axle w/Accu-Lube hubs

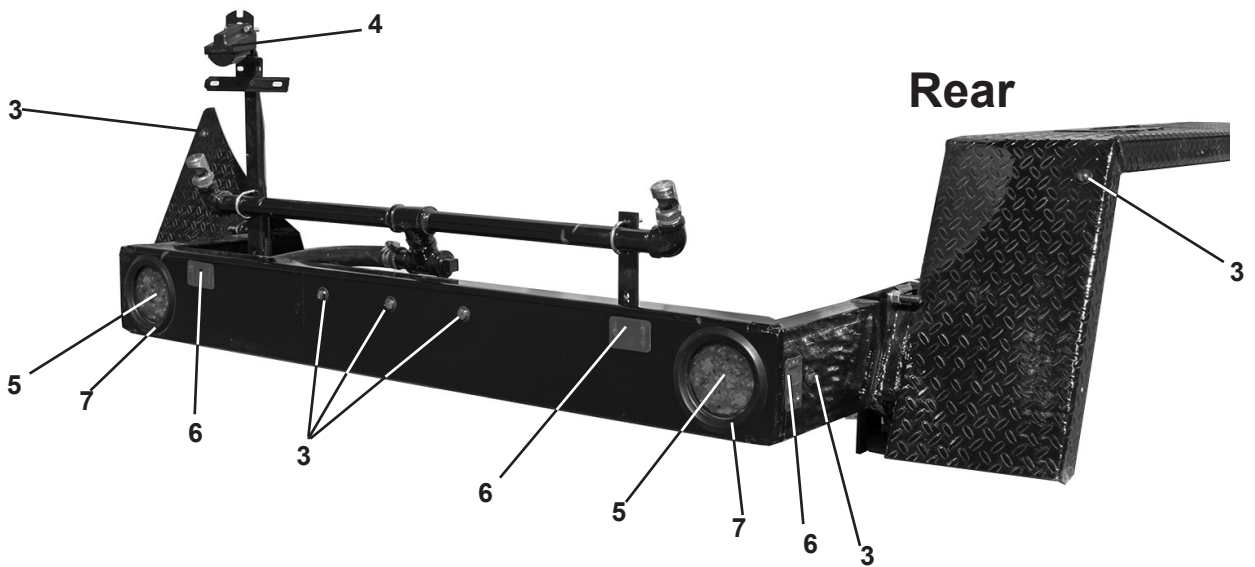
Axle & Hub Parts for 1,025, 1,600 Gallon Trailer

No.	Part No.	Description	No.	Part No.	Description
1	4704-L	Electric Brake, 12"-2¼" LH	2F	14276	Outer Race, 2.717" OD
	4704-R	Electric Brake, 12"-2¼" RH	2G	14125A	Outer Bearing, 1.25" ID
	42029	Surge Brake, 12"-2¼" LH	2H	4753	Spindle Washer, 1"
	42028	Surge Brake, 12"-2¼" RH	2J	4754	Spindle Nut, 1"-14
2	92865A	Complete Brake Hub Ass'y.	2K	4755	Cotter Pin, 1/8"x2"
	92865A-1	Brake hub w/ cups & studs	2L	1605	Grease Cap
2B	4-6T	Brake Flange	3	4351-30	Slipper Spring 5 Leaf, 27"x2"
2C	22333VB	Grease Seal, single lip, 2.25"	4	4114-H	Tandem Hanger Kit
2D	25580	Inner Bearing, 1.75" ID	5	TS70705525865EBC	7,000# Elec. Brake Axle w/AccuLube hubs (1,025)
2E	25520	Inner Race, 3.625" OD		TS70705525865FBC	7,000# Surge Brake Axle w/AccuLube hubs (1,025)
				TX70895730865EAC	7,000# Elec. Brake Axle, (1,600)

Front



Rear



No.	Part No.	Description	No.	Part No.	Description
1	534BAK	¾" LED Amber Clearance	5	542BR	4" Round LED Stop Light
2	88BA	Amber Reflector	6	88BR	Red Reflector
3	534BRK	¾" LED Red Clearance	7	95227	4" Round Grommet
4	223210	License Plate Light Assy.			

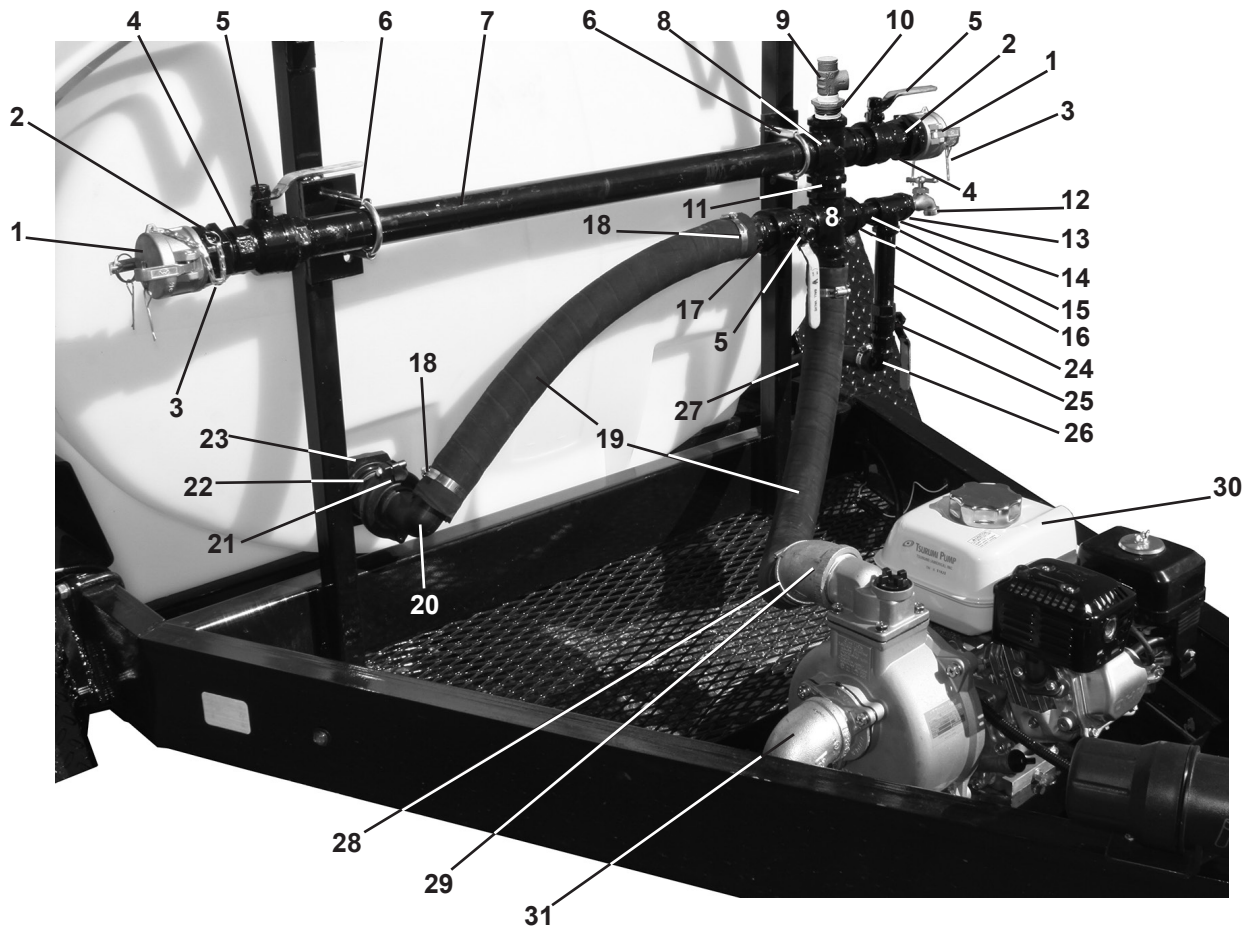


**500 Gal. Trailer
81570EP4**

**800 Gal. Trailer
81570EP-800**

**1,025, 1,600 Gal. Trailers
81570LT**

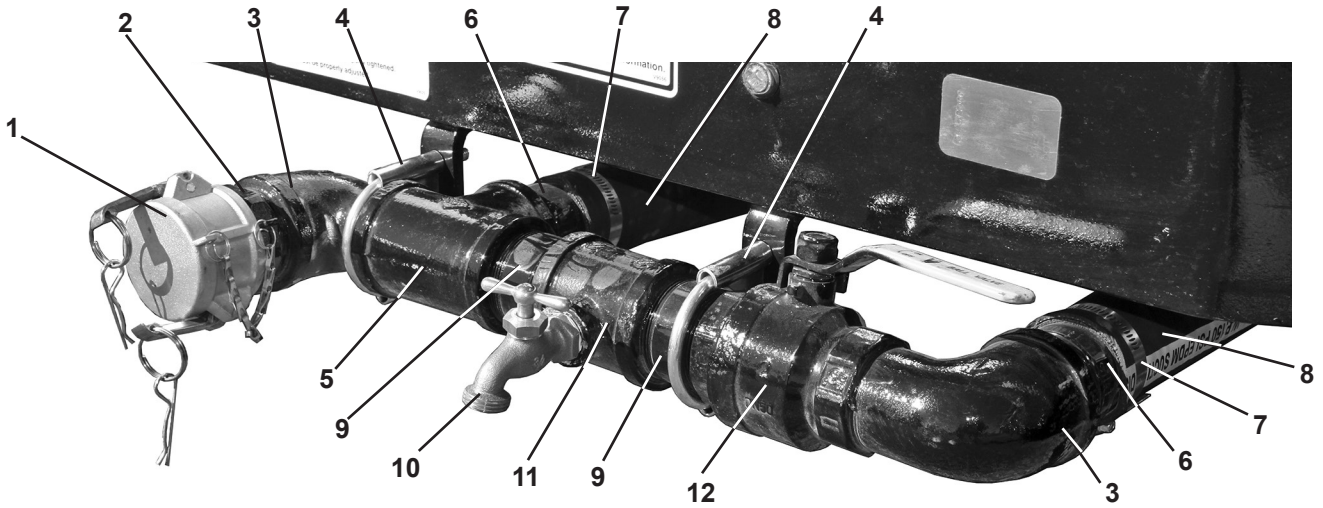
Tsurumi Pump w/ Honda Engine & Plumbing



No.	Part No.	Description	No.	Part No.	Description
1	AL-DC200	2" Al. QC Cap	17	HB150-200	1½" MPTx2" Hose Barb, Poly
2	AL-F200	2" Al. QC Male Adapter	18	1036	2" Hose Clamp
3	3607T24	Sash Chain	19	12004001	2" EPDM Suction Hose
4	RN200-150	2"X1½" Reducing Nipple, Poly	20	M200BRB90	2" Flange x 2' Hose Barb, 90°, Poly
5	901EBV-112	1½" Brass Ball Valve	21	FC200	2" Flange Clamp
6	U200T1	U-Bolt 3/8D x 2-1/8"x3-5/8"	22	M200MPT	2" Flange x 2" MPT
7	NP112-36G	1½" x 36" Galv. Nipple	23	60405	2" Bulkhead Fitting
8	CR-112G	1½" Galv. Cross	24	NP100-6G	1" x 6" Galv. Nipple
9	CAP150	1½" Poly Cap	25	901EBV-100	1" Brass Ball Valve
10	RB-150100G	1½"x¾" Reducing Bushing, Galv.	26	HB100-90	1" Male Thread x 1" HB 90
11	0185643	¾" Pressure Relief Valve	27	2-150-100	1" Rubber Hose
12	VLV3/4HBIB	¾" Male Hose Bibb, Brass	28	SPN200	2"MPT x 2" HB
13	RB-10034G	1"x¾" Reducer Bushing, Galv.	29	45L-200G	2" Elbow 45°, Galv.
14	TEE-100G	1" Tee Galv.	30	TE2-50HANF	2" AL Pump & 4 HP Honda Engine
15	NP100-212G	1"x2½" Galv. Nipple	31	90L-200G	2" Elbow 90°, Galv.
16	RB-112100G	1½"x1" Reducer Bushing, Galv.			

81570-INLET2

Trailer Inlet Manifold Kit



No.	Part No.	Description	No.	Part No.	Description
1	AL-DC200	2" Al. QC Cap	9	NP200-3G	2" x 3" Galv. Nipple
2	AL-F200	2" Al. QC Male Adapter	10	VLV3/4HBIB	3/4" Male Hose Bibb, Brass
3	90STL-200G	2" St. Elbow 90°, Galv.	11	RT-20034G	2" x 3/4" Galv. Reducing Tee
4	3042T33	U-Bolt 3/8D x 2-5/8"x4"	12	901EBV-200	2" Brass Ball Valve
5	TEE-200G	2" Tee Galv.	13	NP200-8G	2" x 8" Galv. Nipple
6	SPN200	2" MPT x 2" HB Galv.	14	90L-200G	2" Elbow 90°, Galv.
7	1036	2" Hose Clamp	15	HB200-90	2" Male Thread x 2" HB 90
8	12004001	2" EPDM Suction Hose	16	60405	2" Bulkhead Fitting

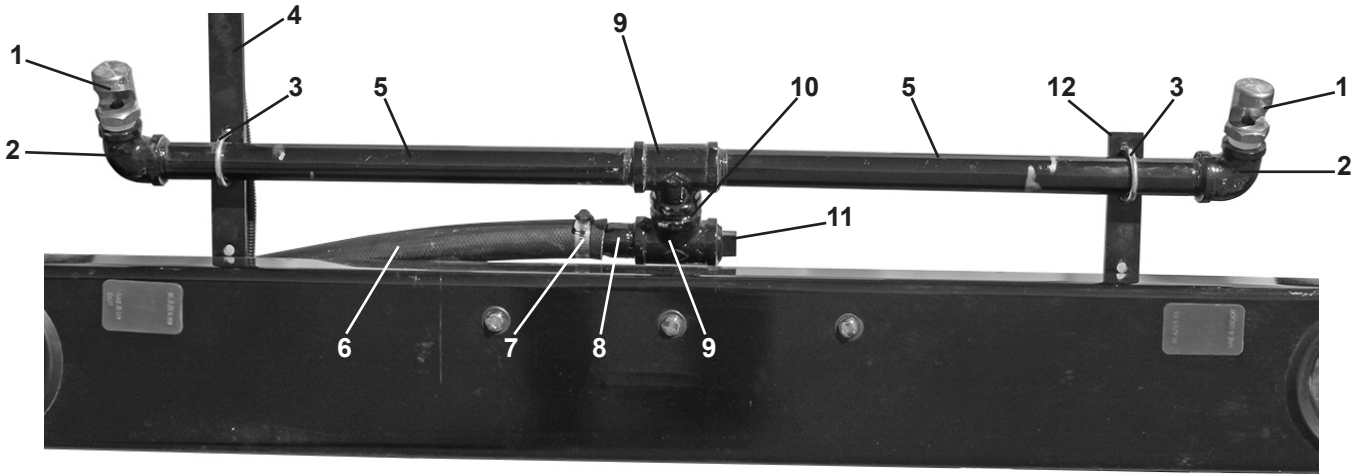




"Express" Spray Bar

SPRAYBAR-EXP-500R2

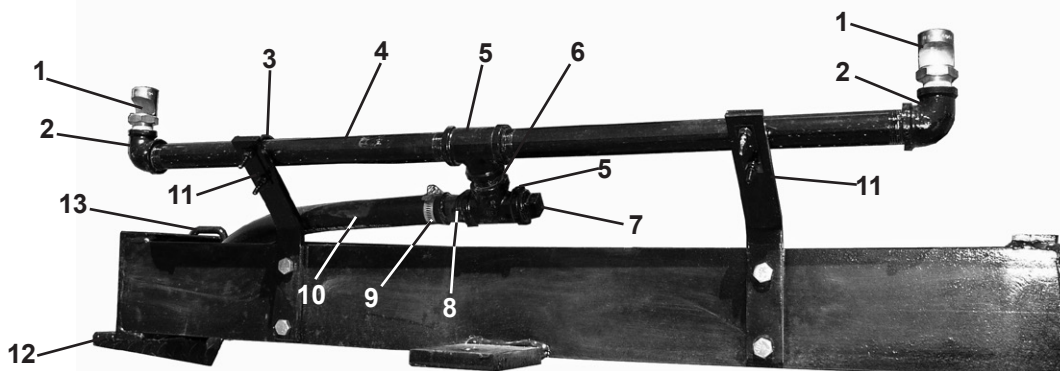
Spray Bar Kit (DOT Trailers)



No.	Part No.	Description	No.	Part No.	Description
1	3/4FF484145	Brass Flood Nozzle	7	1028	1½" Hose Clamp
2	90L-10034G	1" x ¾" Elbow 90°, Galv.	8	SPN100	1" MPT x 1" HB
3	U1/4X11/2X23/4	U-Clamp 1½"	9	TEE-100G	1" Tee Galv.
4	W124541	License Plate Bracket	10	NP100-CLOSEG	1" Close Galv. Nipple
5	NP100-18G	1" x 18" Galv. Nipple	11	PLG1G	1" Galv. Plug
6	2-150-100	1" Rubber Hose	12	W124542	Spraybar Mount Bracket

SPRAYBAR-EXP-500R2

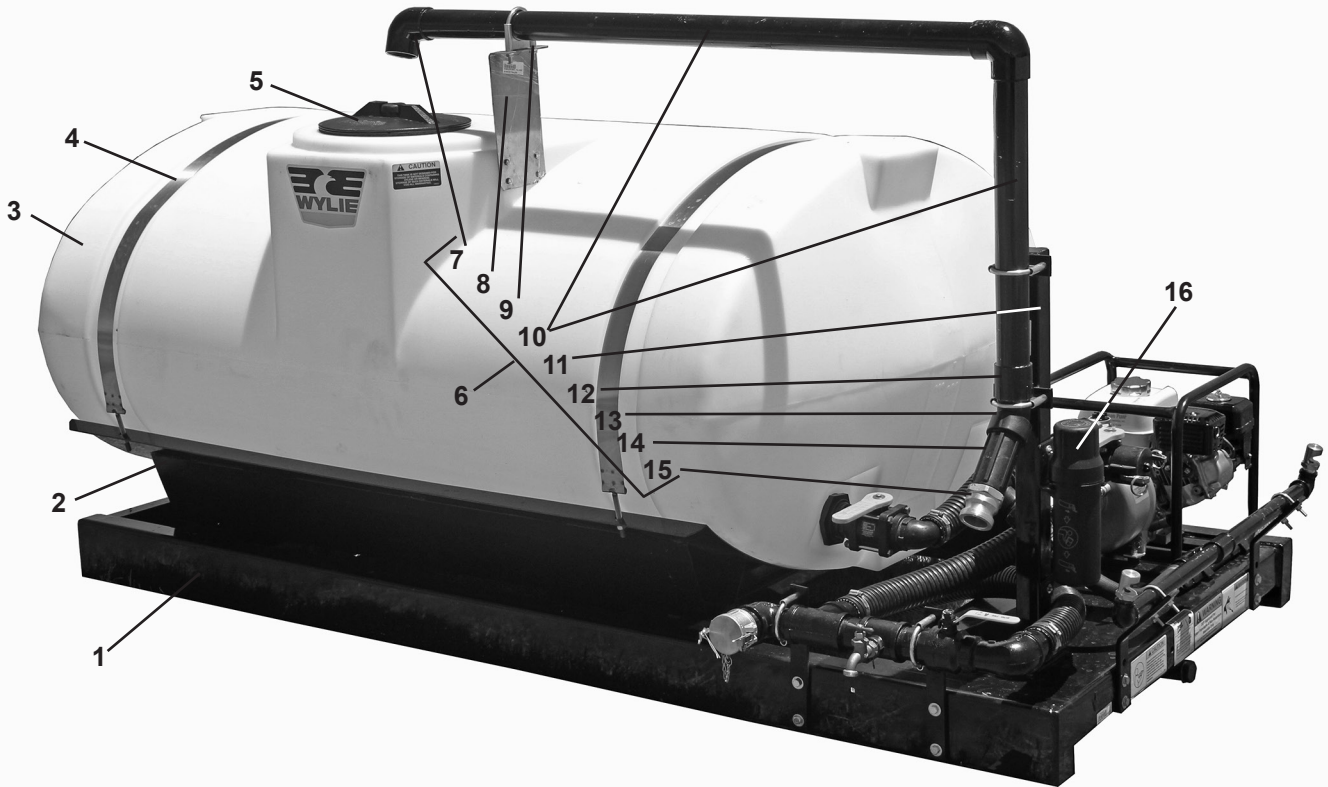
Spray Bar Kit (Non-DOT Trailers)



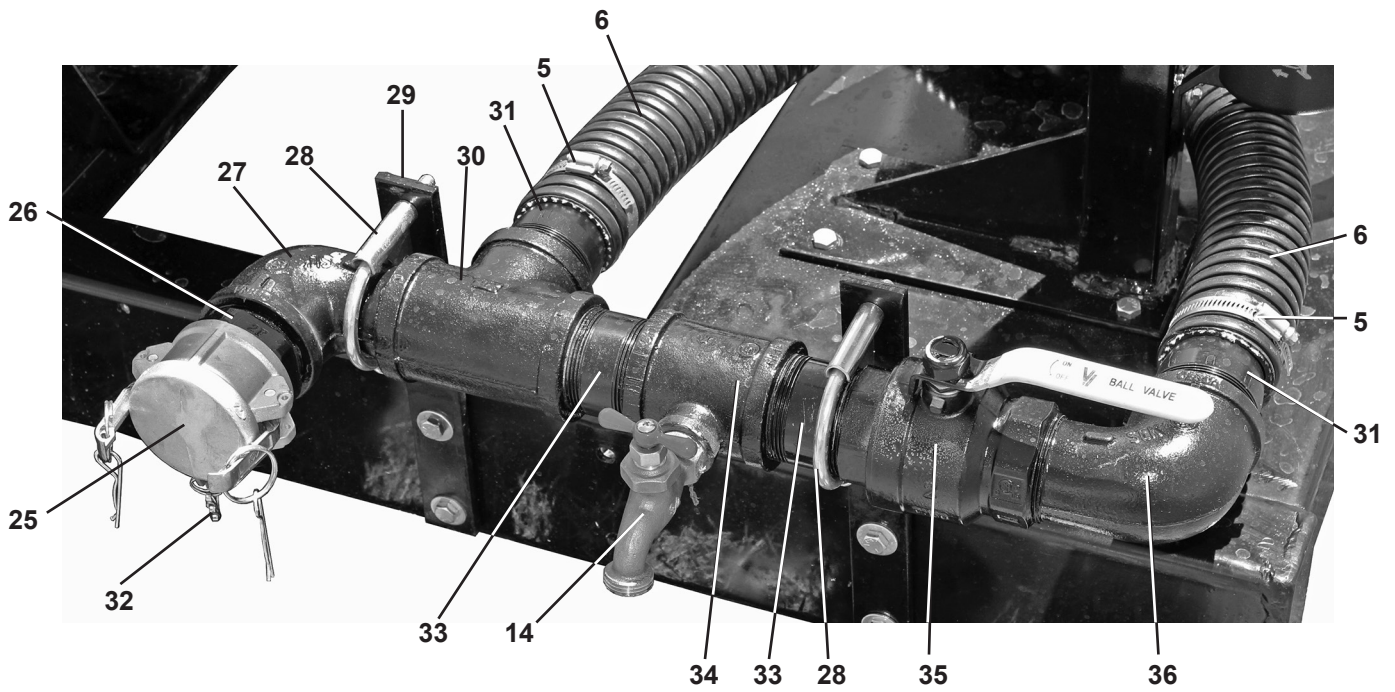
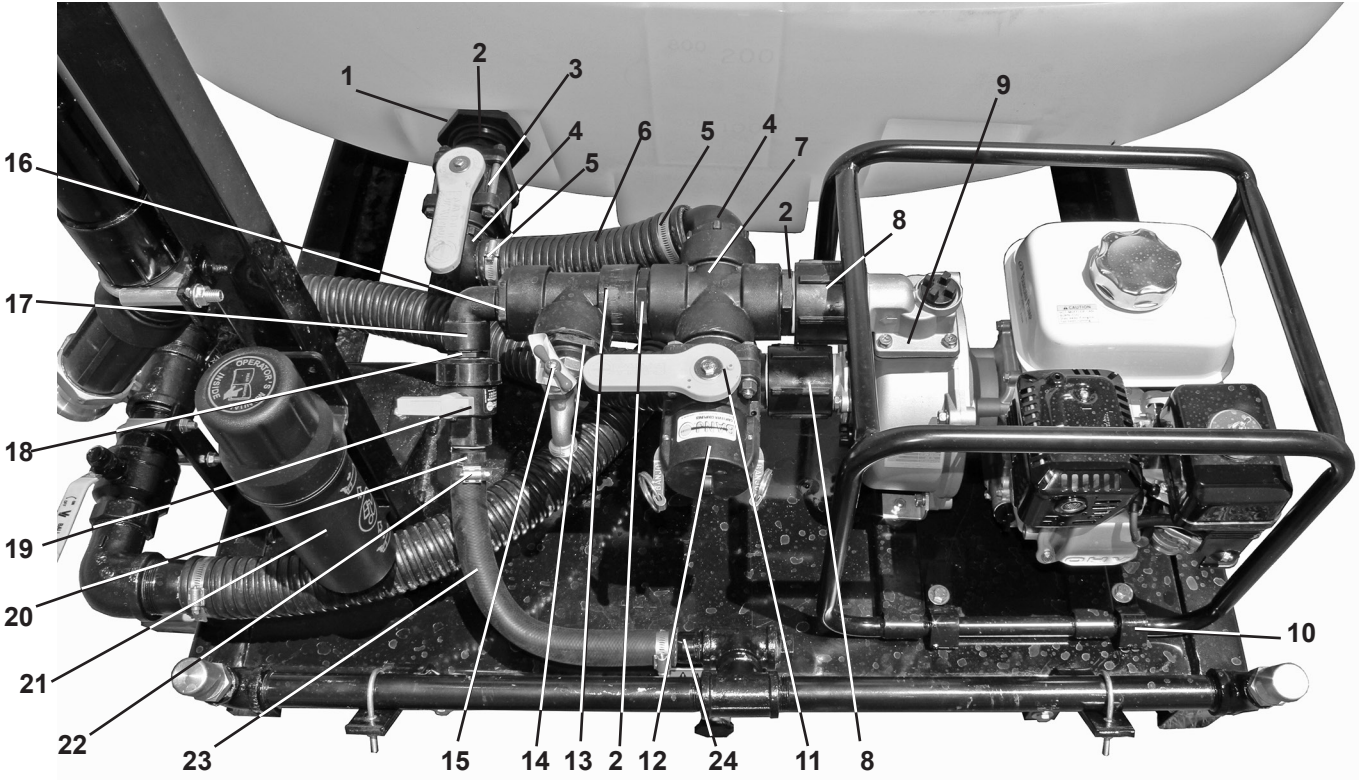
No.	Part No.	Description	No.	Part No.	Description
1	3/4FF484145	Brass Flood Nozzle	7	PLG1G	1" Galv. Plug
2	90L-10034G	1" x ¾" Elbow 90°, Galv.	8	SPN100	1" MPT x 1" HB
3	U1/4X11/2X23/4	U-Clamp 1½"	9	1028	1½" Hose Clamp
4	NP100-18G	1" x 18" Galv. Nipple	10	2-150-100	1" Rubber Hose
5	TEE-100G	1" Tee Galv.	11	W124516	Bent Bracket
6	NP100-CLOSEG	1" Close Galv. Nipple	12	W120357	Combo Step (1,025)
			13	U1/2X2X71/2	U-Bolt ½ D x 2" x 7½"

EXP-500-SKID

500 Gallon Skid



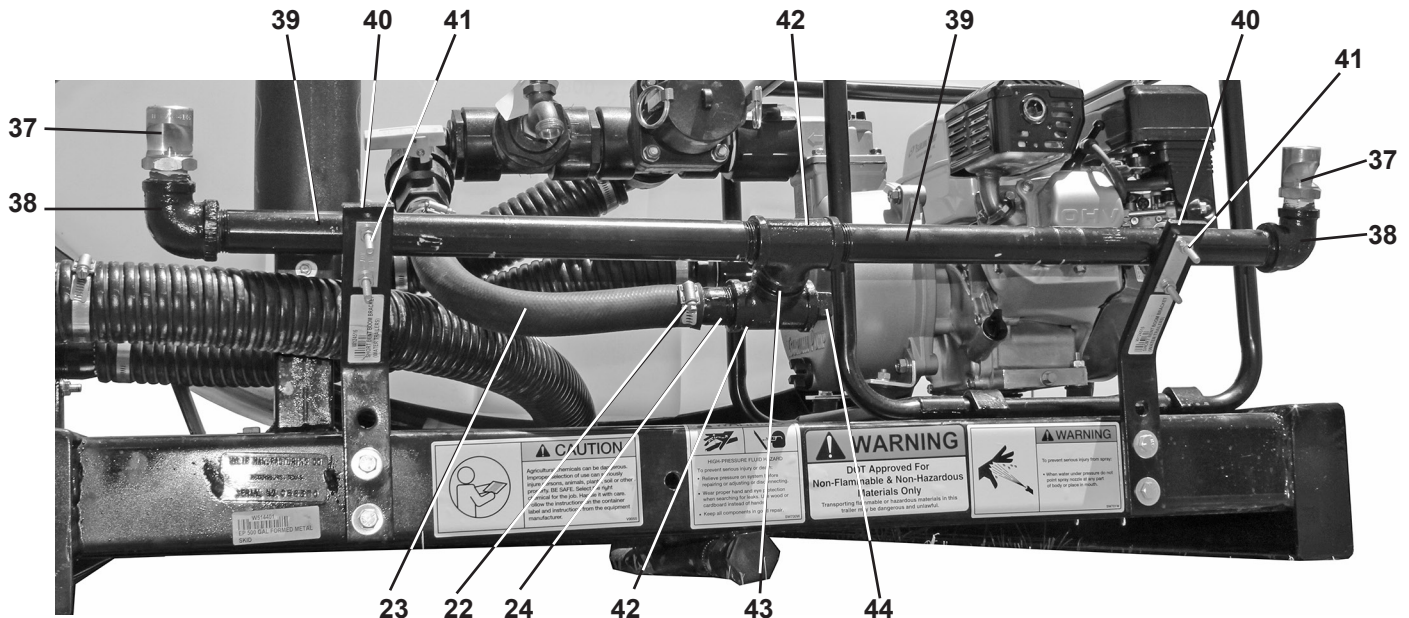
No.	Part No.	Description	No.	Part No.	Description
1	W514401	Skid Frame	9	3042T33	Muffler Clamp, 2½"
2	W7133	500 Gal. Saddle Assembly	10	2" PVC PIPE	2" PVC Sch. 40 Pipe
3	T500HENK	500 Gal. Elliptical Tank w/lid	11	V124507	Pipe Mount Bracket
4	W720109	#12-T-2"x92" (88") Band	12	435-020	2" FPT x 2" Slip Adapter
5	TL102	10" Lid	13	SL200-45	2" PP Street Elbow, 45°
6	W1245SKIDFILL	Anti-Siphon Fill Kit	14	NIP200-6	2" x 6" Poly Pipe Nipple
7	406-020	2" PVC Elbow, 90°	15	AL-A200	2" AL QC Adapter
8	W124509	Stabilizer Bracket	16	67670	Operator Manual Canister



EXP-500-Skid

500 Gal. Skid Plumbing, cont'd.

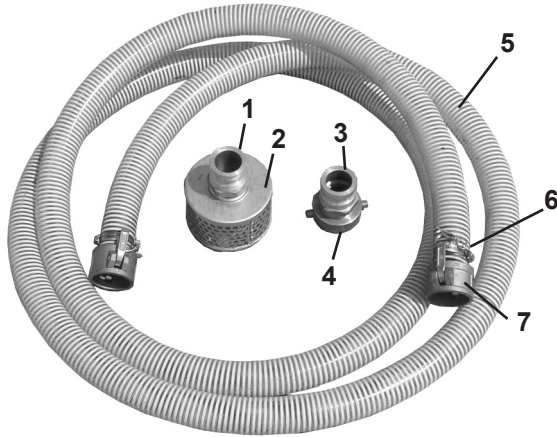
No.	Part No.	Description	No.	Part No.	Description
1	60405	2" Tank Fitting	23	2-150-100	1" Rubber Hose
2	NIP200-SH	2" Short Nipple Poly	24	SPN100	1" MPT x 1" HB Galv.
3	V-200	2" FPT Ball Valve	25	AL-DC200	2" AL QC Dust Cap
4	HB200-90	2" Poly Hose Barb, 90°	26	AL-F200	2" AL Male Quick Coupler
5	1036	2" Hose Clamp	27	90L-200G	2" Elbow 90°, Galv.
6	HS6054	2" Kannaflex Hose	28	3042T33	Muffler Clamp, 2 1/2"
7	CR200	2" Poly Cross	29	W124519	Lower Manifold Mount
8	CPLG200	2" Poly Coupling	30	TEE-200G	2" Tee Galv.
9	TE2-50HANF	2" Pump w/4 HP Honda Engine	31	SPN200	2" MPT x 2" HB Galv.
10	W124520	Pump Hold-Down Strap	32	3607T24	Sash Chain
11	VSFMT-200	2" Stubby Valve	33	NP200-3G	2" x 3" Galv. Nipple
12	200-CAP-PP	2" Poly QC Cap	34	RT-20034G	2" x 3/4" Galv.Reducing Tee
13	TEE200	2" Poly Tee	35	901EBV-200	2" Brass Ball Valve
14	RB200-075	2" x 3/4" Reducer Bushing	36	90STL-200G	2" St. Elbow 90°, Galv.
15	VLV3/4HBIB	3/4" MPT x 3/4" MGHT Brass	37	3/4FF484145	Brass Flood Nozzle
16	RB200-100	2" x 1" Reducer Bushing	38	90L-10034G	1" x 3/4" Galv. Reducer 90°
17	SL100-90	1" Poly Street "L"	39	NP100-18G	1" x 18" Galv. Nipple
18	NIP100-SH	1" Short Nipple Poly	40	W124516	Short Bent Bracket
19	UV-100FP	1"x1" Single Union Valve	41	U1/4X11/2X23/4	U-Bolt 1/4"x1 1/2"x2 3/4"
20	HB-100	1" Hose Barb	42	TEE-100G	1" Tee Galv.
21	67670	Operator Manual Canister	43	N100-CLOSEG	1" Galv. Close Nipple
22	1020	1" Hose Clamp	44	PLG1G	1" Galv. Plug





81570-FILL

Suction Kit



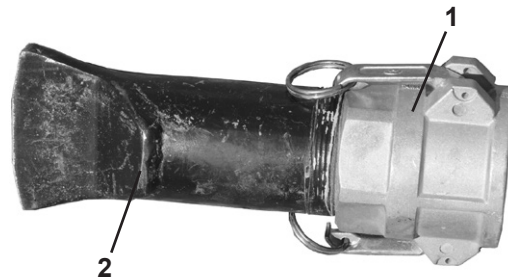
No.	Part No.	Description
1	AL-F200	2" AL Quick Coupler x 2" MPT
2	RHS200	2" Round Hole Strainer
3	AL-A200	2" AL Quick Coupler Adapter
4	09-130-9	Fire Hydrant Adapter
5	7-070-200	2" PVC Suction Hose
6	1036	2" Standard Hose Clamp
7	AL-C200	2" AL Quick Coupler x 2" HB

**Fire Hose Assembly
P/N: BMX25QC**

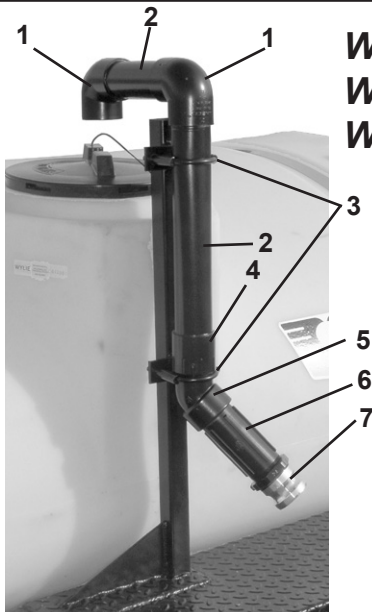


No.	Part No.	Description
1	AL-D200	2" AL Quick Coupler
2	FN150	1½" Fire Nozzle
3	BMX25QC	1½" Flat Fire Hose Ass'y.

**Side Watering Kit
W5307-FAN**



No.	Part No.	Description
1	AL-D200	2" AL Quick Coupler
2	W530702	2" Fan Spray Nozzle



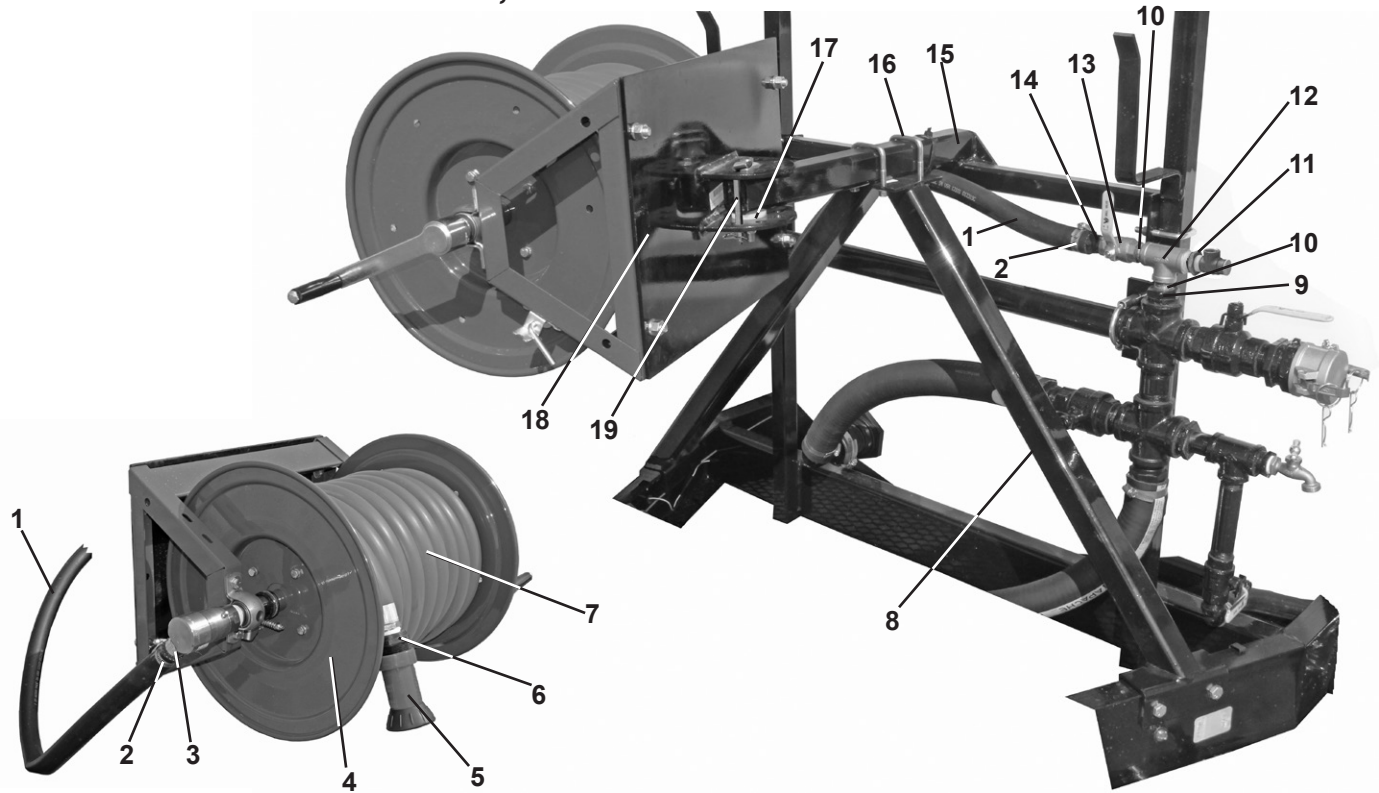
**W1245FILL
W1276FILL
W1241WT-FILL**

**Anti-Siphon Fill Kit (500 gal.)
Anti-Siphon Fill Kit (800 gal.)
Anti-Siphon Fill Kit (1,025, 1,600 gal.)**

No.	Part No.	Description
1	406-020	2" 90° PVC Elbow
2	2"PVC PIPE	2" PVC Pipe, Sch 40
3	3042T33	2½" Muffler Clamp
4	435-020	2"FPTx2" Slip Adap. PVC
5	SL200-45	2" Street Elbow 45
6	NIP200-6	2" x 6" Poly Pipe Nipple
7	AL-A200	2" AL Male Coupler w/ 2" FPT
	W124509	Stabilizer Bracket, 1025, 1,600 (not shown)
	W124507	Mount Bracket, 1,025, 1,600 (not shown)

EXP-500-FH
EXP-800-FH
EXP-1025-FH

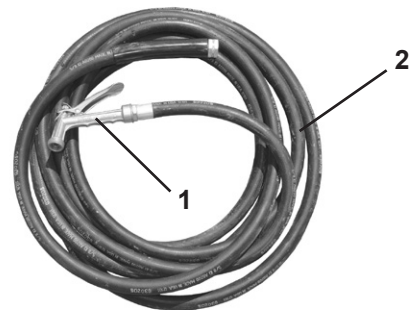
500 Gal. Hose Reel Kit
800 Gal. Hose Reel Kit
1,025 Gal. Hose Reel Kit



No.	Part No.	Description	No.	Part No.	Description
1	2-150-100	1" Rubber Spray Hose	11	RB-100075G	1"x3/4" Reducer Bushing, Galv.
2	1028	1 1/2" Hose Clamp	12	TEE-100G	1" Tee, Galv.
3	SPN100	1" MPT x 1" HB Nipple	13	901EBV-100	1" Brass Ball Valve
4	1125-6-50	Hose Reel	14	HB100	1" Hose Barb
5	FN150	Fire Nozzle	15	W124563	Hose Reel Mount (500)
6	RB150-100	1 1/2" x 1" Reducer Bushing		W127618	Hose Reel Mount (800)
7	1"x50' RT Hose MC	1"x50' Hose Assembly		W124129	Hose Reel Mount/Support (1,025)
8	W124564	Hose Reel Mount Support (500)	16	V0131	U-Bolt, 3/8"x 1 5/8"x2 3/4"
	W127619	Hose Reel Mount Support (800)	17	V0169	2" UHMW Washer
9	RB-150100G	1 1/2"x1" Reducer Bushing, Galv.	18	W930247	Hose Reel Swivel Base
10	NP100-CLOSEG	1" Close Nipple, Galv.	19	12-B	1/2"x3" Bent Pull Pin

84503 Garden Hose Kit

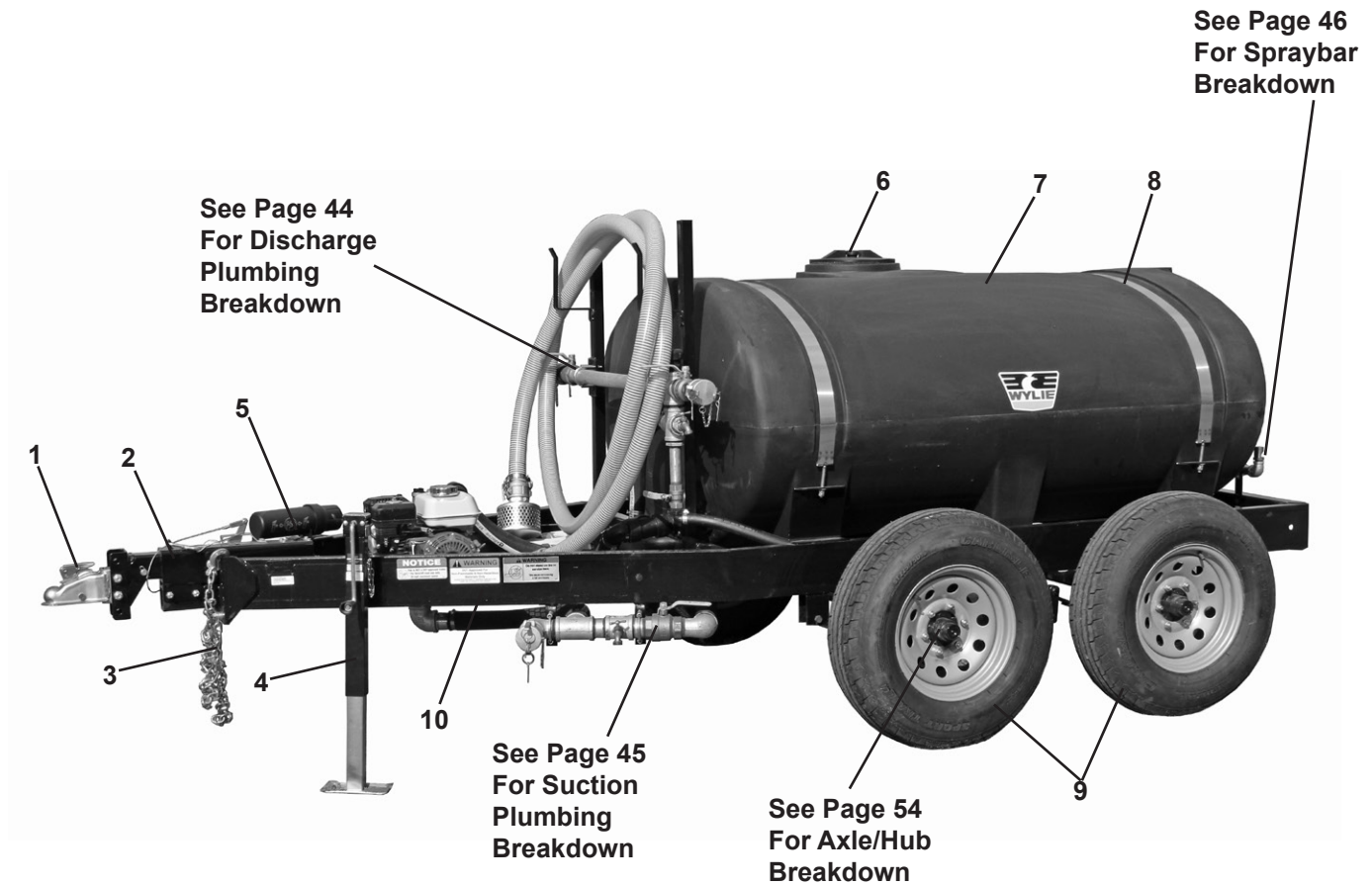
No.	Part No.	Description
1	573TF	Pistol Grip Hose Nozzle
2	98108797	5/8" x 25' Water Hose





Fire Control Trailer Frame

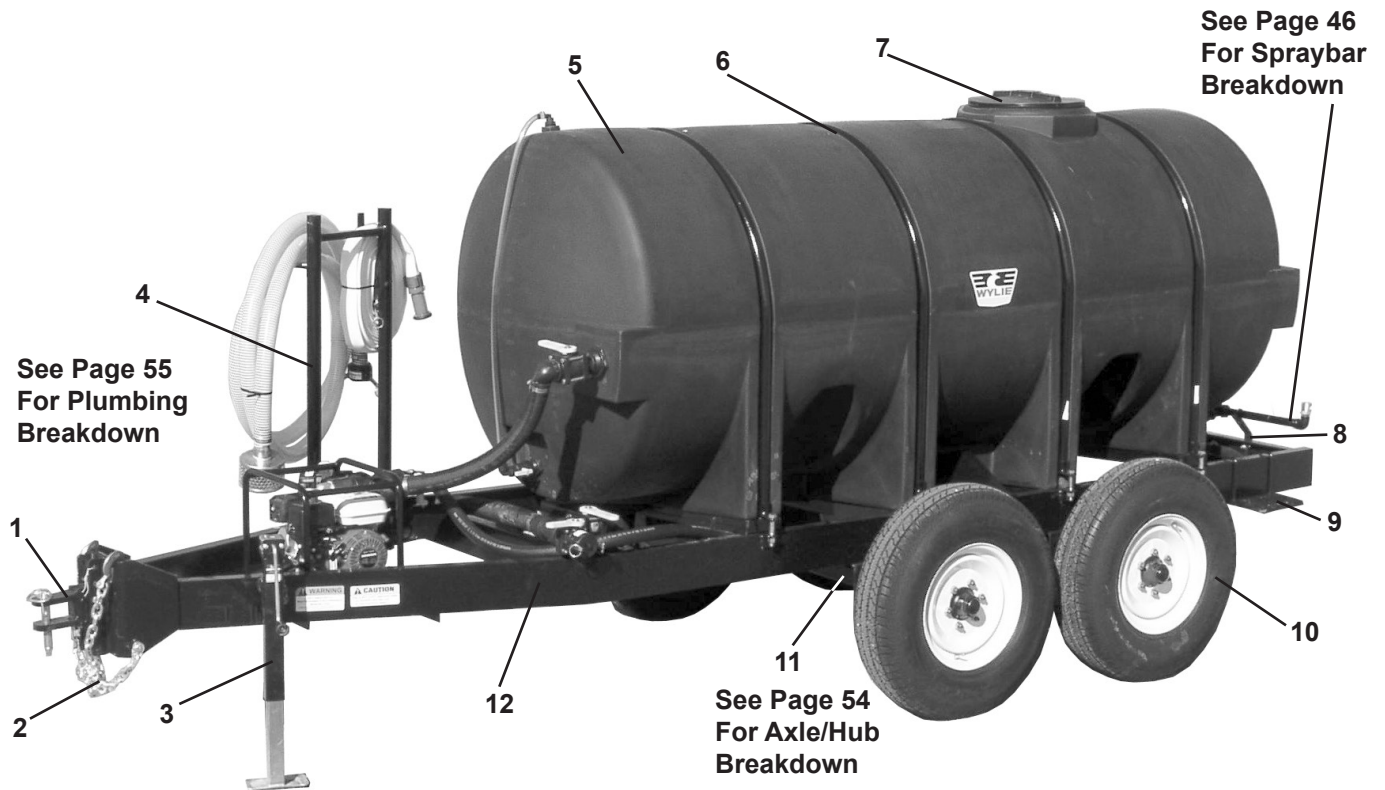
FC-500-S 500 Gallon w/surge brakes
FC-800-S 800 Gallon w/surge brakes



No.	Part No.	Description	No.	Part No.	Description
1	09430-95	2" Ball Hitch (500)	6	TLVA10	10" Tank Lid (500)
	07678-95	2 5/16" Ball Hitch (800)		352060	18" Tank Lid (800)
2	8759138	8K Surge Brake Actuator (500)	7	T500HELBK	500 Gal. Ellip. Black Leg Tank
	8101031	10K Surge Brake Actuator (800)		T800LDBK	800 Gal. Leg Tank w/lid & sump
3	SC43-49	Safety Chain Kit (500)	8	W720144	#68-T-2"x92" (86") Tank Band (500)
	SC43-39-800S	Safety Chain Kit (800)		W127605	Tank Hoop (800)
4	HD500-SWL-TMR-PZ-M	Side Wind Jack	9	34774	ST225/75D15-D Wheel/Tire (500)
5	67670-K	Operator Manual Canister		457861	ST225/90D16 Wheel/Tire (800)
			10	W124546	Frame (500)
				W127601	Frame (800)



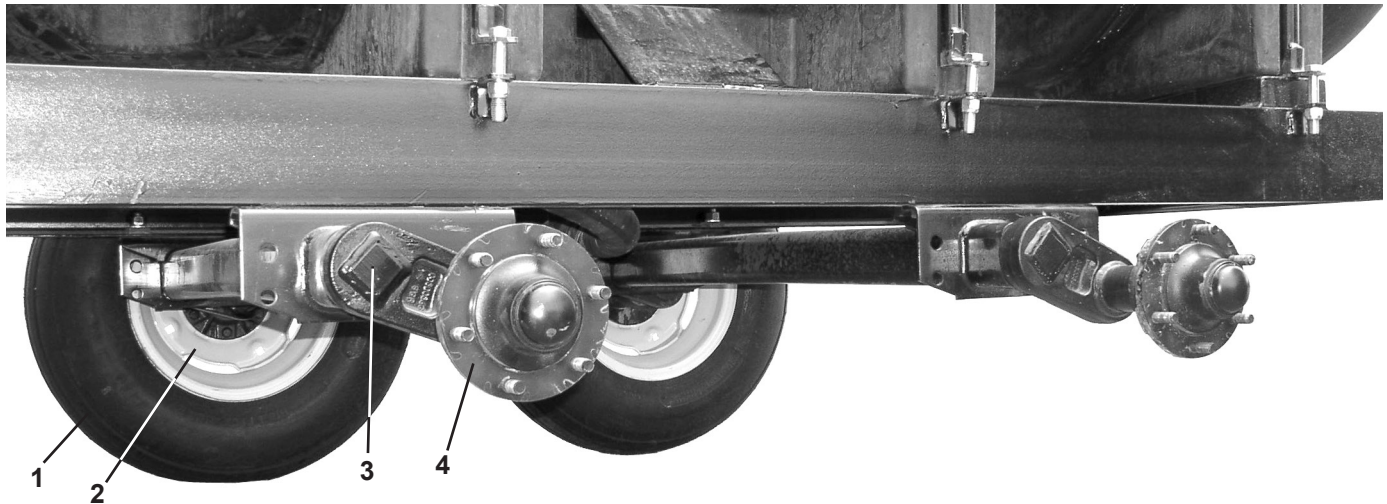
W1228-GIN 1,025 Gallon Fire Control Trailer



No.	Part No.	Description	No.	Part No.	Description
1	W1211-CLEVIS	Adjustable Clevis Hitch	7	TLVA10	10" Tank Lid
2	SC43-39	Safety Chain	8	W124516	Short Bent Bracket
3	HD500-SWL-TMR-PZ-M	Side Wind Jack	9	W1241-STEP	Bolt-on Step
4	W940107K	Hose Rack	10	42251	ST225/90D16 Wheel/Tire
5	T1025LSBK	1,025 Gal. Black Leg Tank	11	7700393	7000# Torsion Axle
6	W120502	Tank Hoop	12	W122801	Frame
	W120511	Tank Hoop w/ hook			



Torsion Idler Axle Assemblies



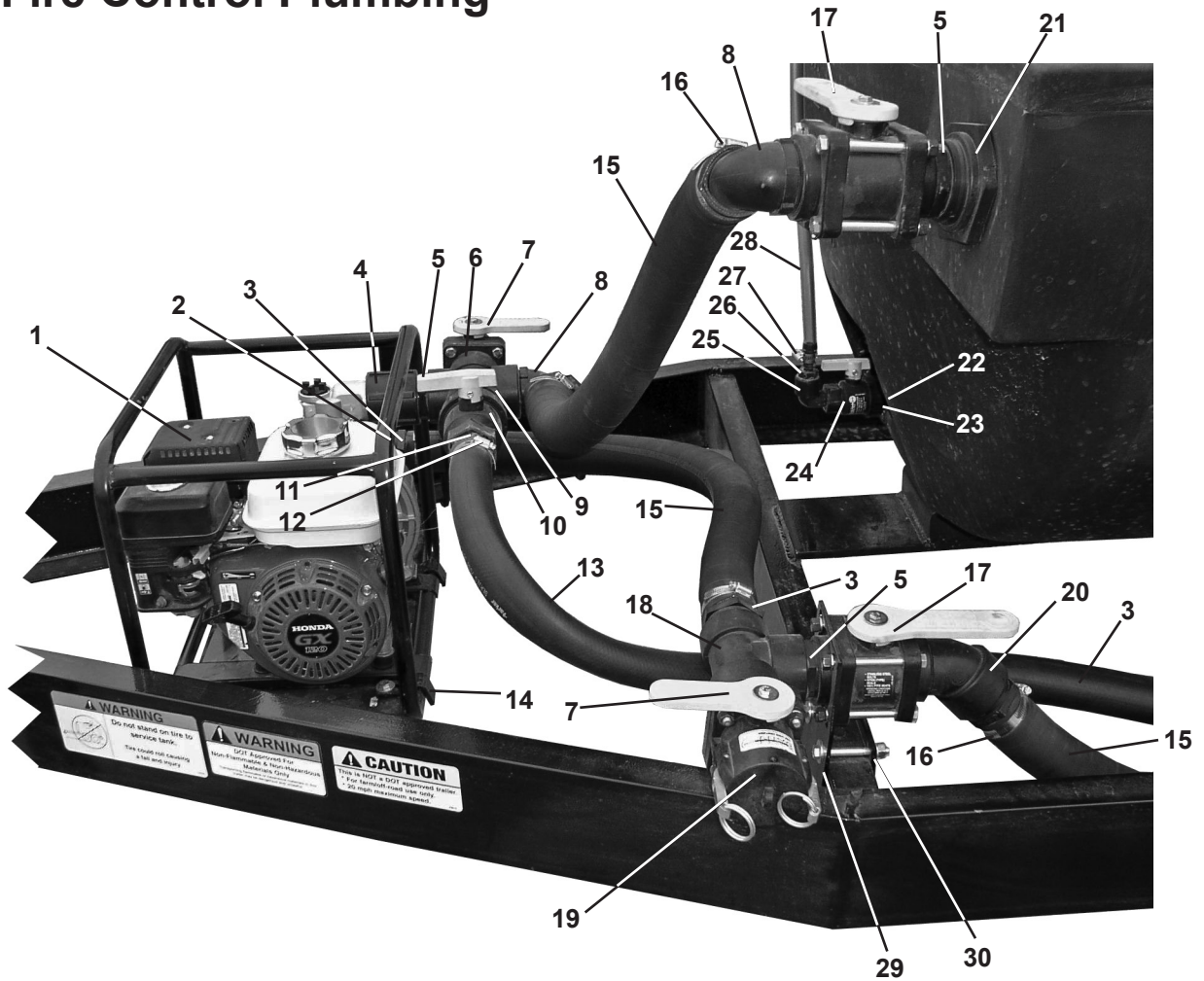
7,000 lb Torsion Idler Axle Assemblies 1,025 Leg Tag (W1228-GIN) (EXP-ARENA-1025)

No.	Part No.	Description	No.	Part No.	Description
1	42251	ST225/90D16 Wheel/Tire Ass'y. (W1228-GIN)	4	25520	Inner Cup (race)
	11LX15	8 Ply Ribbed Implement Tire (EXP-ARENA-1025)		1605-AL-100	Dust Cap
2	67504	15X8 Wheel, 6-6-4.62, 1.125 (EXP-ARENA-1025)		9135481	Bolt Stud
3	7700393	Axle, Torsion 7,000# w/hubs		22333TBN	Seal
4	AG-H660-42-2HA	AG 660 Hub Complete Assembly		4753	Washer
	AG-H660-42-2	AG 660 Hub w/Cups		4754-12	Nut
	25580	Inner Cone (bearing)		4755-ZP	Cotter Pin
	14125A	Outer Cone (bearing)			

5,200 lb Torsion Idler Axle Assemblies 500 Ellip. Tag (EXP-ARENA-500)

No.	Part No.	Description	No.	Part No.	Description
1	11LX15	8 Ply Ribbed Implement Tire	4	21-1	Dust Cap
2	67504	15X8 Wheel, 6-6-4.62, 1.125		4759-Z	Stud Bolt
3	EC526440660ID	Axle, Torsion 5,200# w/hubs		4756	Lug Nut
4	82660	Hub Ass'y. (torsion axle)		22333TBN	Seal
	82660-1	Hub w/cups		4753	Washer
	25580	Inner Cone (bearing)		4754	Nut
	15123	Outer Cone (bearing)		4755	Cotter Pin
				9099050	Dust Cap

1,025 Fire Control Plumbing



No.	Part No.	Description	No.	Part No.	Description
1	TE2-50HANF	2" AL Pump & 4 HP Honda Engine	16	1036	2" Hose Clamp
2	EL200-90	2" Elbow	17	V-200	2" Ball Valve
3	HB200	2" Hose Barb	18	TEE200	2" Tee
4	CPLG200	2" Coupling	19	200-CAP-PP	2" QC Cap
5	NIP200-SH	2" Short Nipple	20	SL200-45	2" Street Elbow 45°
6	CR200	2" Cross	21	60405	2" Tank Fitting
7	VSFMT-200	2" Stubby Valve	22	62834	1/2" Tank Fitting
8	HB200-90	2" Male Thread x 2" HB 90	23	NIP050-SH	1/2" Short Nipple
9	RN200-125	2" x 1 1/4" Reducing Nipple	24	UV-050FP	1/2" Single Union Valve
10	UV-125FP	1 1/4" Single Union Valve	25	SL050-90	1/2" Street Elbow 90°
11	HB125	1 1/4" Hose Barb	26	HB-050	1/2" Hose Barb
12	1028	1 1/2" Hose Clamp	27	1008	1/2" Hose Clamp
13	2-150-114	1 1/4" Rubber Hose	28	4-045-050	1/2" Clear Vinyl Tubing
14	W124520	Hold Down Strap	29	W930134	2" Valve Mount
15	12004001	2" EPDM Suction Hose	30	W930109	Pad

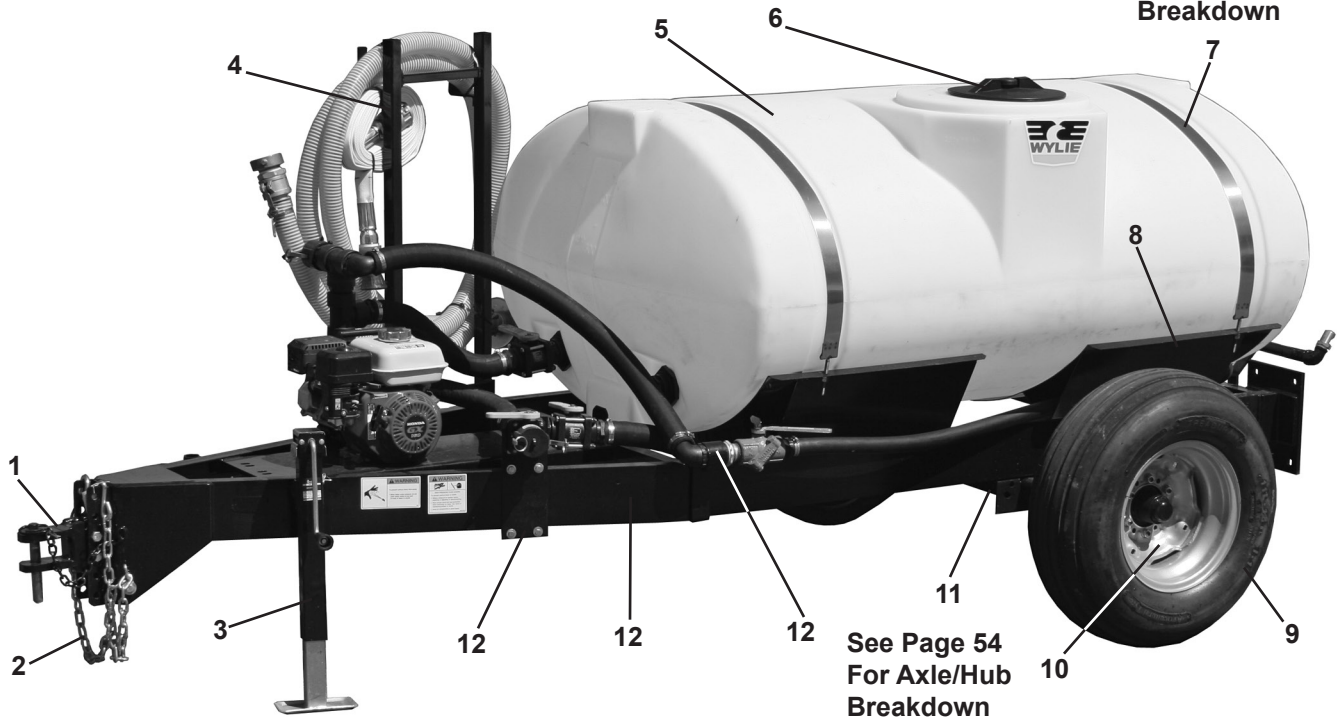


Arena Express Trailer Frame

EXP-ARENA-500
EXP-ARENA-1025

500 Gallon w/surge brakes
1025 Gallon w/surge brakes

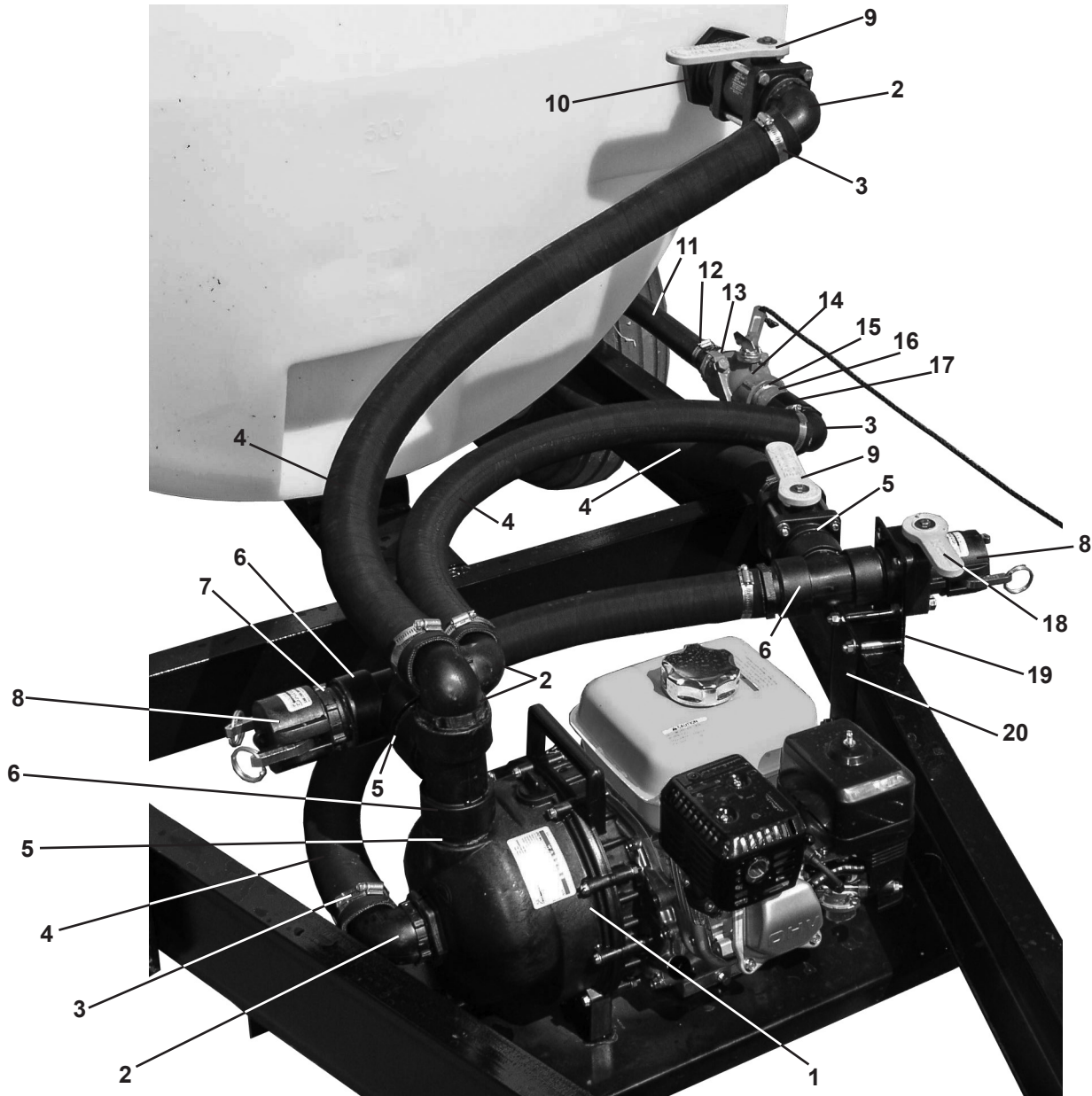
See Page 46
 For Spraybar
 Breakdown



See Page 54
 For Axle/Hub
 Breakdown

No.	Part No.	Description	No.	Part No.	Description
1	W2213-CLEVIS	Clevis Hitch (500)	7	W720109	#12-T-2"x92" (88") Tank Band (500)
	W2211-CLEVIS	Clevis Hitch (1025)		W120502	Tank Hoop (1025)
2	SC1430-GR43	Safety Chain Kit (500)		W120511	Tank Hoop w/hook (1025)
	SC43-49	Safety Chain Kit (1025)	8	W7134	Saddle (500)
3	HD500-SWL-TMR-PZ-M	Side Wind Jack	9	11LX15	8 Ply Ribbed Implement Tire
4	W940107K	Hose Rack	10	67504	15X8 Wheel, 6-6-4.62, 1.125
5	T500HENK	500 Gal. Elliptical Tank	11	EC526440660IE	5200# Torsion Idler Axle, 64" HF (500)
	T1025LSNK	1,025 Gal. Leg Tank		7700393	7,000# Torsion Axle w/hubs (1025)
6	TLVA10	10" Tank Lid (500)	12	W930143	Offset 2" Pipe Coupling
	352060	18" Tank Lid (1025)	13	W320901	Frame (500)
				W122801	Frame (1025)
			14	W930108K	Valve Mount

Arena Express Plumbing

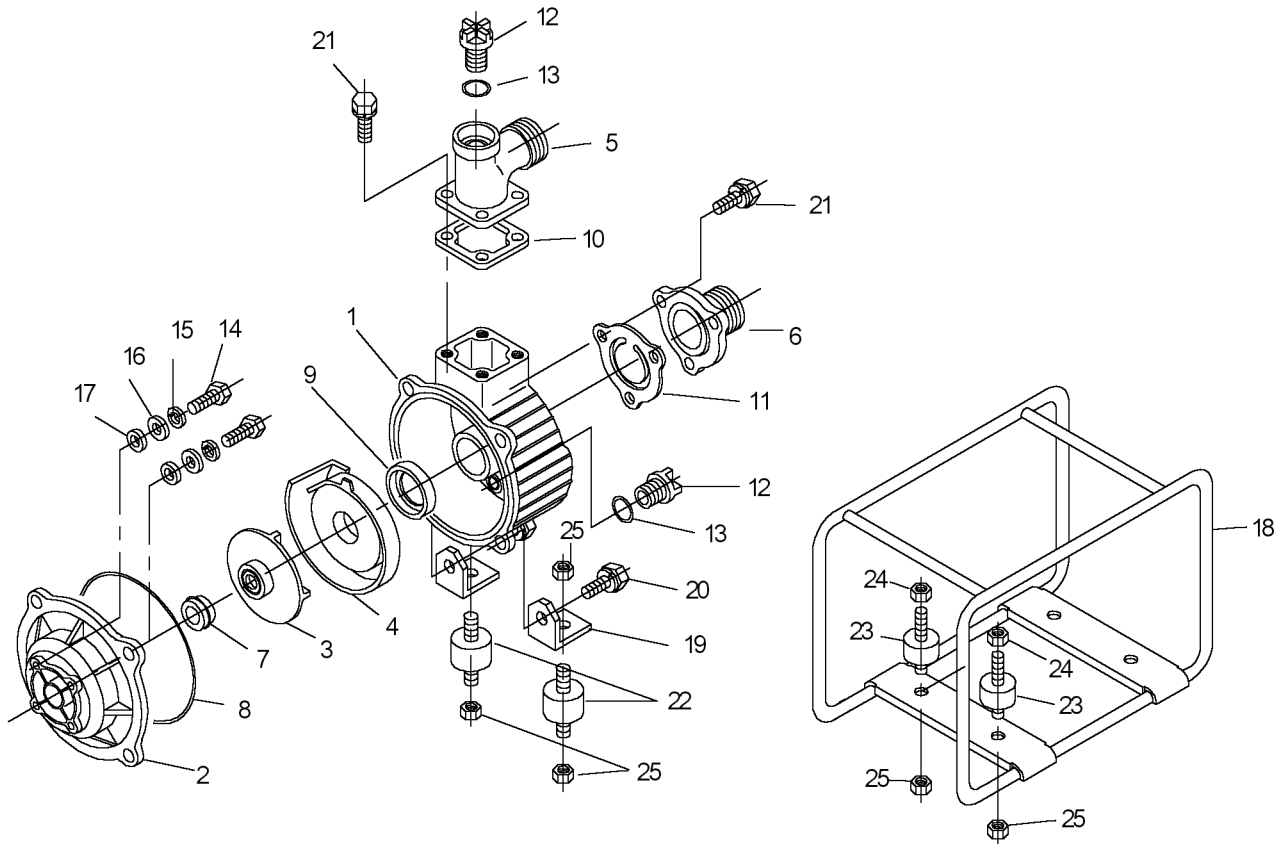


No.	Part No.	Description	No.	Part No.	Description
1	200PH-5	Pump & Honda Engine	11	2-150-114	1 1/4" Rubber Hose
2	HB200-90	2" Male Thread x 2" HB 90	12	1028	1 1/2" Hose Clamp
3	1036	2" Hose Clamp	13	HB150-125	1 1/4" Hose Barb x 1 1/2" MPT
4	12004001	2" EPDM Suction Hose	14	3612CCW	1 1/2" FP Cast Iron Ratchet Valve
5	NIP200-SH	2" Short Nipple	15	NP112-CLOSEG	1 1/2" Galv. Close Nipple
6	TEE200	2" Tee	16	RB-220112G	2"x1 1/2" Reducer Bushing, Galv.
7	200-F-PP	2" MPT Male Adapter	17	W930143	2" Pipe Coupling Mount
8	200-CAP-PP	2" QC Cap	18	VSFMT-200	2" Stubby Valve
9	V-200	2" Ball Valve	19	W930134	2" Valve Mount
10	60405	2" Tank Fitting	20	W930109	Pad



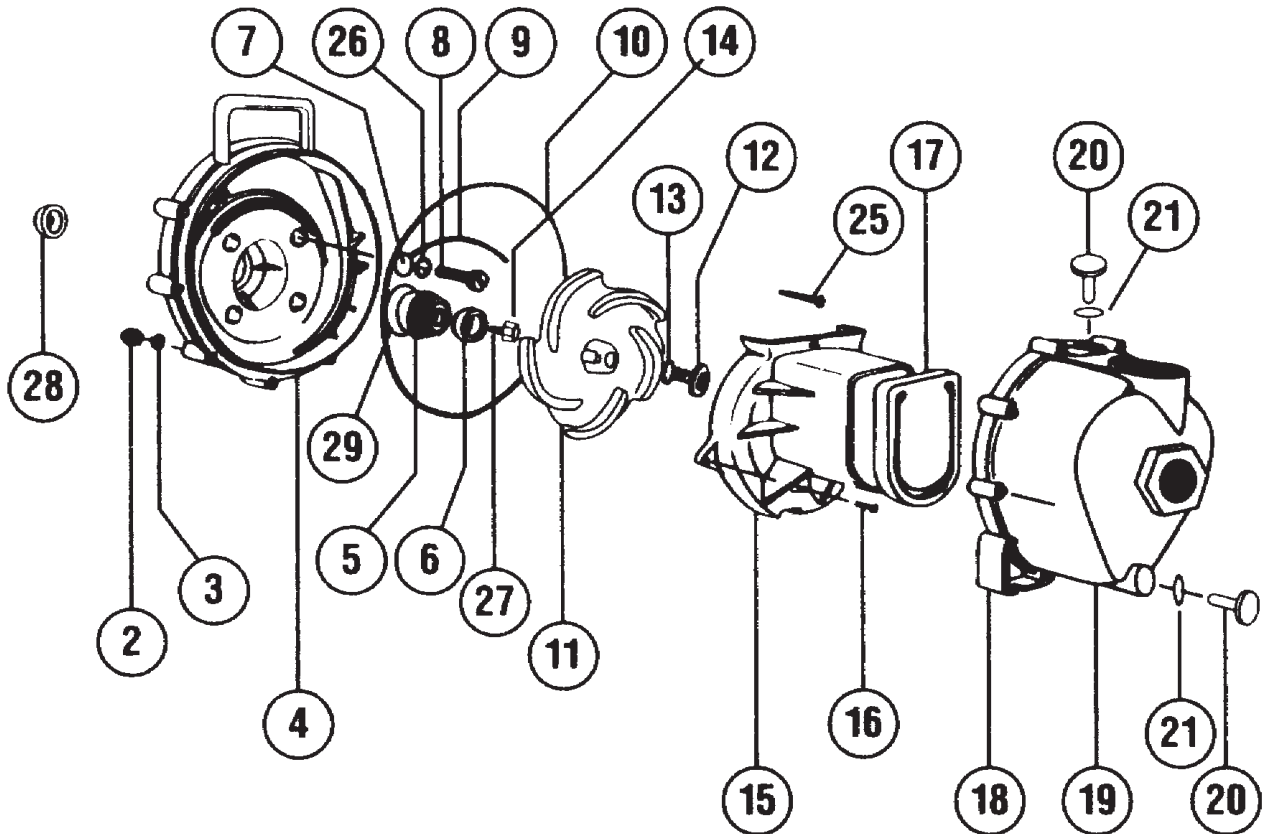
TE2-50HA

Tsurumi Pump (Honda GX-120 Engine)



No.	Part No.	Description	No.	Part No.	Description
1	507-001	CASING	14	501-005	BOLT
2	501-004	CASING COVER	15	501-007	LOCK WASHER
3	501-009	IMPELLER	16	501-008	WASHER
4	501-011	VOLUTE CASING	17	501-006	SEAL PACKING
5	501-019A	DISCHARGE BEND	18	501-030HV	FRAME
6	501-013A	SUCTION FLANGE	19	501-038	SUPPORT BRACKET
7	521-008	MECHANICAL SEAL	20	501-003	BOLT
8	501-002	O-RING, CASING	21	501-014	BOLT
9	501-012	GASKET, VOLUTE CASING	22	1001-032	ANTI VIBRATION RUBBER (Pump)
10	501-020	GASKET, DISCHARGE BEND	23	501-037	ANTI VIBRATION RUBBER (Engine)
11	501-015	CHECK VALVE	24	501-024	FLANGE NUT
12	501-021	PLUG	25	1001-024	SPRING NUT
13	501-022	O-RING, PLUG		501-042	IMPELLER SHIM

200PH-5 2" Banjo Poly Pump



No.	Part No.	Description	No.	Part No.	Description
2	V-07019	Body Nuts, SS	16	12725	Volute Screws, SS
3	V-07018	Lock Washer, SS	17	12705	Poly Pump Check Valve
4	12703A	Poly Pump Rear Bracket	18	12712A	Poly Pump Body Assembly
5&6	12713	Seal Assembly	19	12720	Body Screw, SS
7	12717	Screw Heads, O-Ring	20	12777	Prime/Drain Plug
8	12715A	Bracket Screw, SS	21	UB15163	Prime/Drain Plug O-Ring
9	12754	O-Ring Segment	25	12900	Upper Volute Screw, SS
10	12719A	Body O-Ring	26	12901	Rear Bracket Washer, SS
11	12772	3/5 Vane Poly Pump Impeller	27	12902A	Impeller Key
12	12765A	Impeller Bit, SS	28	12706	Poly Pump Slinger
13	12774VA	Impeller Bit Gasket	29	12999A	O-Ring for Seal Assembly
14	12775A	Impeller Hex Nut		12000A	Pump Repair Kit
15	12702A	Poly Pump Volute			

2019 – *Wylie Manufacturing Company*
Specifications Subject To Change Without Notice