

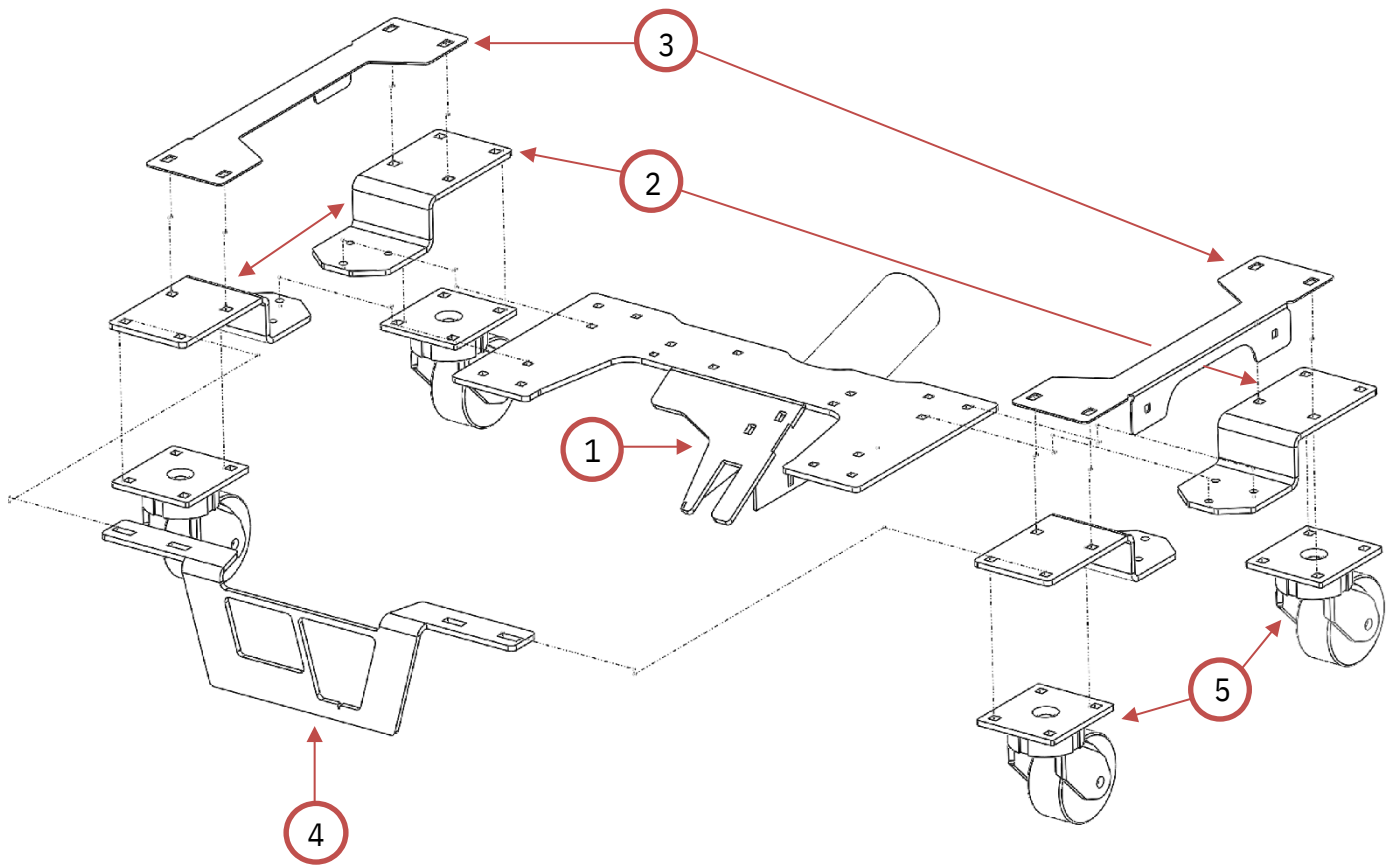
# GorillaConcreteTools

## CC-6 Crack Chaser

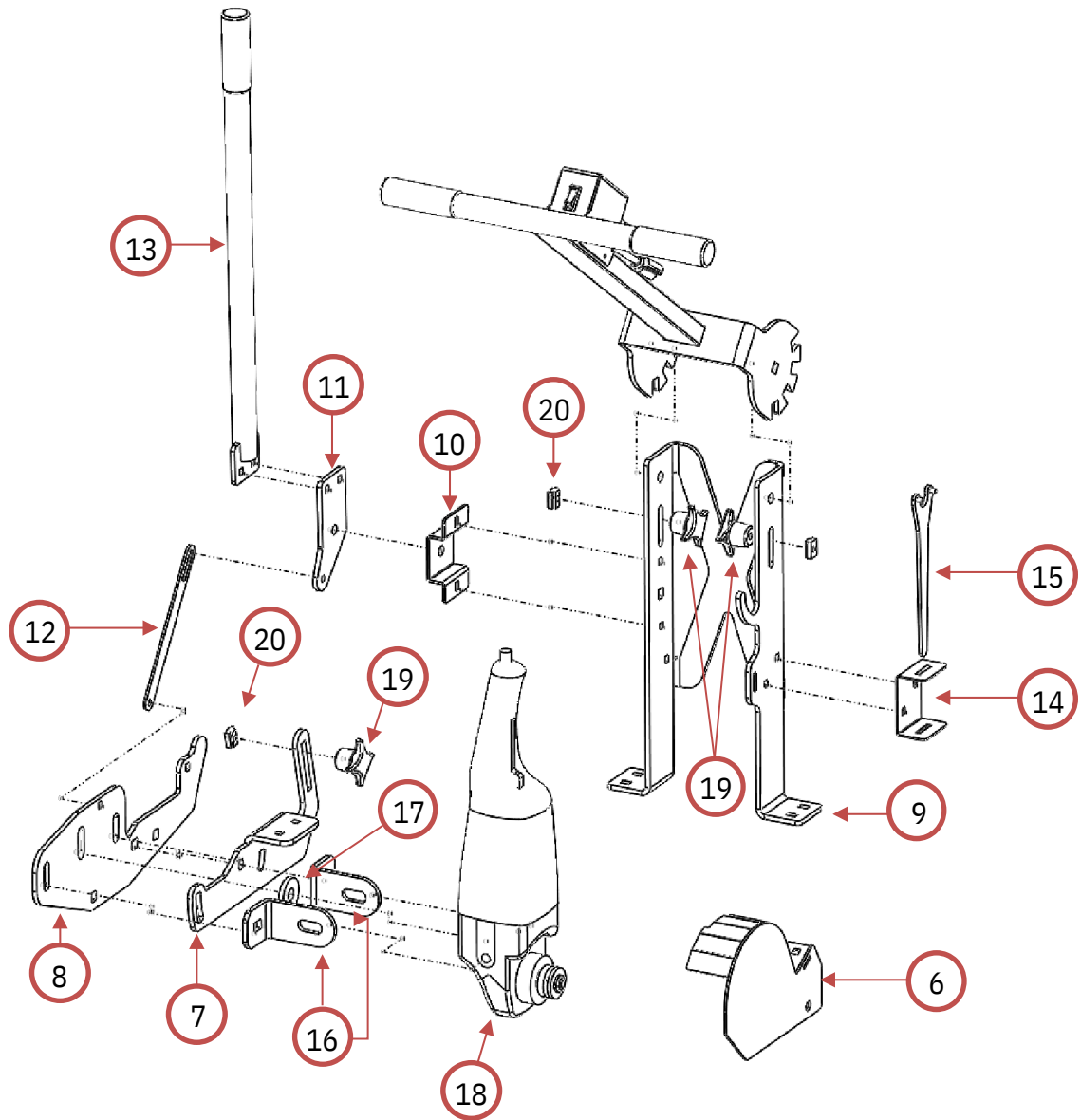
### Product Manual



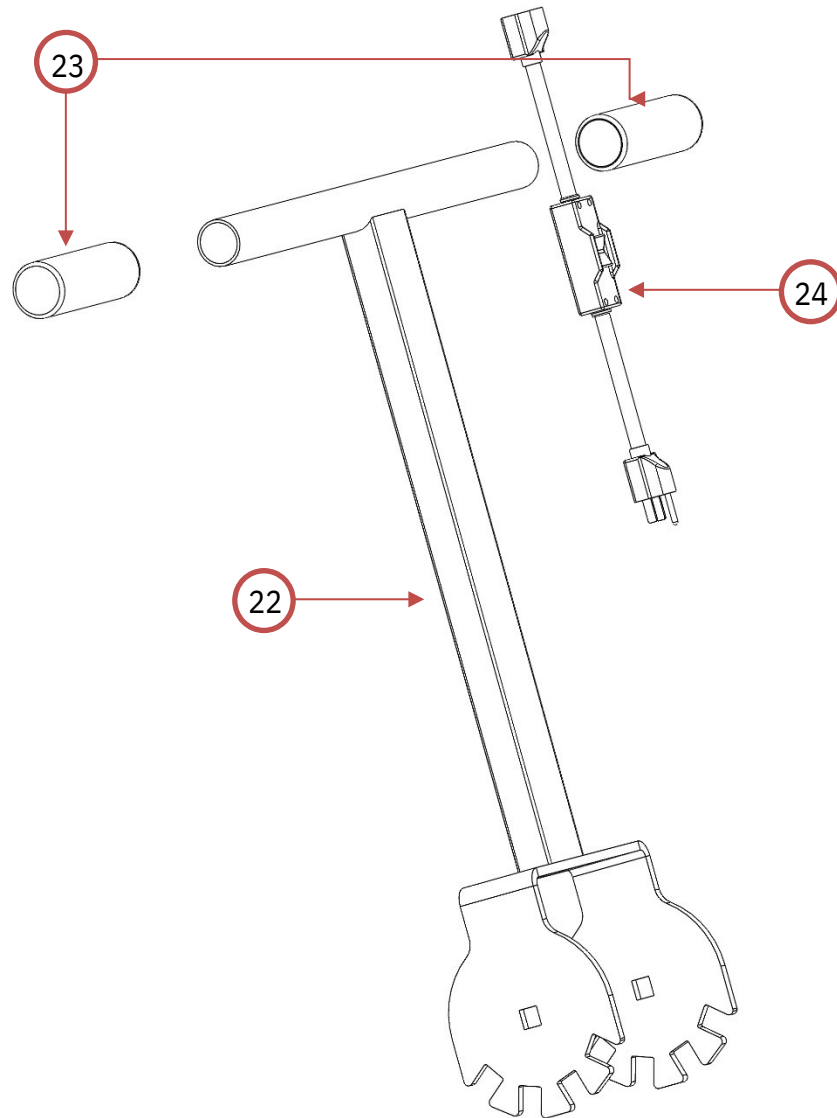
# Parts Diagram



Part #	Description
6 - 1	Saw Base
6 - 2	Wheel mounts
6 - 3	Chassis brace
6 - 4	Toe guard
6 - 5	4x2 Casters
6 - 6	Caster Lock (not shown)



Part #	Description
6 – 6	Blade guard
6 – 7	Pivot mounting plate
6 – 8	Pivot plate
6 – 9	Handle mount
6 – 10	Lift Handle linkage mount
6 – 11	Lift handle mounting plate
6 – 12	Lift/lower linkage
6 – 13	Lift Handle
6 – 14	Wrench holder
6 – 15	Blade wrench
6 – 16	Grinder mount
6 – 17	Grinder spacer
6 – 18	Grinder
6 – 19	4-arm knob
6 – 20	t-nut stop



Part #	Description
6 - 22	Handle Grips
6 - 23	Handle
6 - 24	Electrical box assembly
6 - 25	Complete Handle Assembly

# GCT-10 Set Up



## Warnings!

*These instructions are only intended to show you the set-up of our saw. Do not use until you have been trained on how to properly operate a walk behind concrete saw.*



Stay clear of others while in operation. Debris can fly from blade area. Eye and face protection required.



Respirator required. Operate in well ventilated area.



Ear protection required.

***The blade pointer needs to be removed and flipped before aligning!***

### Set-Up:

1. Remove shipping brackets
2. Install blade
3. Adjust Handle to your preferred operating position
4. Ensure that the machine is switched to the off position. Apply powerhead trigger lock, plug cord into the electrical box

*Never leave the unit plugged in while unattended or while replacing the blade*

### Blade Installation:

1. Remove outer blade clamp
2. Begin by locking the casters in a direction while allows you to tilt the saw backward safely to install the blade. Install blade.
3. Lower saw and firmly tighten the blade

*\*Use a 6" blade to achieve full depth\**

### Operation: Blue Arrows (Fig. 2)

1. Set cutting depth with the depth adjustment knob
2. Unlock all 4 casters for maneuverability (
3. Use the lift and lower handle to engage and disengage your cut link

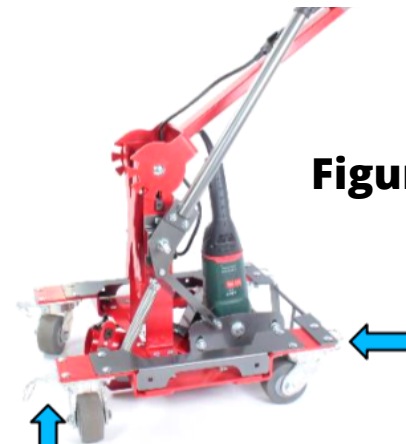
*\*Unplug your equipment when not in use\**

### Feature Call Outs: Yellow Arrows (Fig. 3)

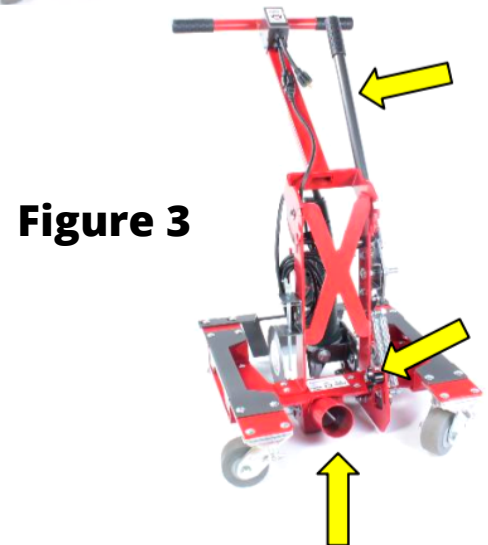
- 3-inch dust port: Minimum 300 CFM required
- Blade depth adjustment knob. Loosen knob and slide left or right to set blade depth.
- Muti-directional lift and lower handle



**Figure 1**



**Figure 2**



**Figure 3**