



INSTRUCTIONS

Models
LJ6VHWBP
N4950WBP
N5450WBP
N6450WBP

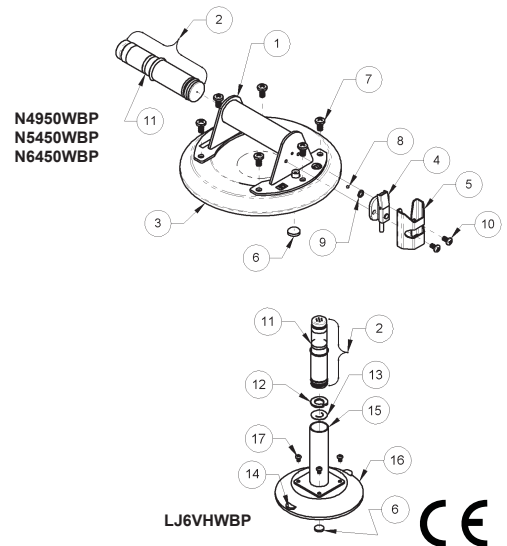
Rev. 0.5 / 01-21 Instruction Sheet 32640 **LVA**

1. 90510AM Handle, Metal
2. 90524AM Plunger Assembly with Audio Alarm (WBP)
3. 49480T Vacuum Pad, 8" [20 cm] Dia., Flat, Lipped (VPFS8L)
4. 49506T Vacuum Pad, 9" [23 cm] Dia., Flat (G0725)
5. 49586T Vacuum Pad, 10" [25 cm] Dia., Concave (G0750)
6. 90500 Valve Block with Release Lever & Guard
7. 51506 Valve Guard
8. Air Filter**
9. 10002 Screw, 1/4-20 x 1/2"
10. Check Ball*
11. O-Ring*
12. 10008 Screw, 10-32 x 3/8"
13. Red Line
14. Check Valve Retainer**
15. Check Valve**
16. Release Tab
17. 90115 Handle, Vertical
18. 49416T Vacuum Pad, 6" [15 cm] Dia. (LJ6)
19. 10006 Screw, 10-32 x 5/16"

- Not Shown
20. 29312 Pad Cover, 6" [15 cm]
 21. 29334 Case, Black, 8" [20 cm]
 22. 29338 Case, Black, 9" [23 cm]
 23. 29342 Case, Black, 10" [25 cm]
 24. 64681 AAA Battery

* Repair Kit 90504 for Metal Cups (6, 8, 9 and Plunger Lube)

** Repair Kit 90160 for LJ6VH Cups (6, 12, 13 and Plunger Lube)



SPECIFICATIONS

Product Description

Hand cups use vacuum to lift and carry loads, as follows: A manual pump removes air from between the rubber pad and the contact surface; an audio alarm and a red line on the pump's plunger serve as low vacuum indicators; a check valve allows the user to repump the cup without removing it from the contact surface; and a release mechanism allows the cup to disengage completely.

Model	Pad	Nominal Dia.	Max. Load Capacity*
LJ6VHWBP	LJ6	6" [15 cm]	70 lbs [32 kg]
N4950WBP	VPFS8L	8" [20 cm]	125 lbs [57 kg]
N5450WBP	G0725	9" [23 cm]	150 lbs [68 kg]
N6450WBP	G0750	10" [25 cm]	175 lbs [79 kg]

*Maximum Load Capacity includes a 3:1 safety factor and requires the following: attachment on clean, smooth, nonporous flat surfaces; a minimum vacuum level of 17½" Hg [-59 kPa]; and a friction coefficient of 1. This rating is based on tests of new hand cups attached to the upper, horizontal surface of static objects in ideal conditions. Many factors can reduce the capacity, including: lifting a load when the cup is attached to a vertical or inclined surface; or lifting a load that applies leverage to the cup. See www.WPG.com for more information.

Low Vacuum Audio Alarm

Volume: 70 dBA at 36" [91 cm]

Power Source: one AAA size, 1.2-1.5-volt alkaline battery; automatic on/off function

Load and Environmental Conditions

Use the cup on clean, relatively smooth, nonporous surfaces, at temperatures from 10° to 120° F [-12° to 49° C] and elevation up to 5,000' [1,524 m]. Moisture or contaminants can reduce the slip resistance of the cup. Excessive exposure to moisture can also damage the audio alarm or reduce its life. Contact an authorized dealer or visit www.WPG.com for more information.

OPERATION

To Test Audio Alarm

Prior to using the hand cup, make sure the audio alarm is functioning correctly and can be heard clearly over ambient sound in the work environment: While leaving the sound emission holes uncovered, depress the plunger slightly. The audio alarm should sound; if not, see MAINTENANCE: Service.

To Attach Hand Cup

- 1) Position the cup on the contact surface so the red line will be visible if it should appear while lifting the load. CAUTION: Test the cup for staining or deformation of load surfaces with light colors or soft coatings.
- 2) Pump the plunger until the cup attaches completely. When the red line is hidden and the audio alarm is silent, vacuum is sufficient for lifting.
- 3) Check the plunger frequently to make sure the cup remains securely attached. If the red line appears or the audio alarm sounds while lifting, set down the load immediately and pump the plunger until the red line is hidden and the audio alarm is silent again (see WARNINGS).

To Release Hand Cup

- 1) Set the load on a secure support.
- 2) Pull one of the release tabs (on 6" [153 mm] cups) or press the valve release lever (on other cups) until the cup disengages completely. CAUTION: Remove the cup when not in use.

MAINTENANCE

Service

Since aging and wear reduce the capacity of the rubber pad, it should be replaced at least once every 2 years or whenever damage is discovered (see Inspection). If the audio alarm does not function normally (see OPERATION), make sure a working battery is installed correctly (see TO REPLACE BATTERY, overleaf). If the condition persists, contact an authorized dealer or visit www.WPG.com for assistance.

If the hand cup does not function normally, the cup face may be dirty or the cup may require service. First clean the cup face according to the directions to follow. If the condition persists, contact an authorized dealer or visit www.WPG.com for assistance.

Cleaning

- 1) Remove the air filter from the cup face.
- 2) Use a clean sponge or lint-free cloth to apply soapy water or another mild cleanser to the cup face; see WARNINGS and www.WPG.com for more information. CAUTION: To prevent liquid from contaminating the pump, hold the cup face-down or cover the suction hole in the filter recess.
- 3) Wipe all residue from the cup face.
- 4) Allow the cup to dry and reinstall the air filter.

Inspection

Examine and test the cup regularly to make sure it does not exhibit the following faults:

- failure of audio alarm to function correctly (see OPERATION).
- corrosion or other indications of battery leakage inside battery chamber (see TO REPLACE BATTERY, overleaf).
- cuts or damage to sealing edges of rubber pad.
- cracks or dents in handle or pump.
- reappearance of red line soon after attaching cup.
- sluggishness or dramatic changes in pump action.
- excessive glaze or stiffness of rubber pad.
- air filter missing from cup face.

Correct any faults before using the cup (see Service).

Storage

Store the cup in clean, dry condition within its protective carrying case. If the cup is used once a month or less often, remove the battery (see TO REPLACE BATTERY, overleaf) and store it separately, to prevent corrosion.

WARNINGS

Failure to observe WARNINGS could damage the hand cup or the load, or cause injury to the user.

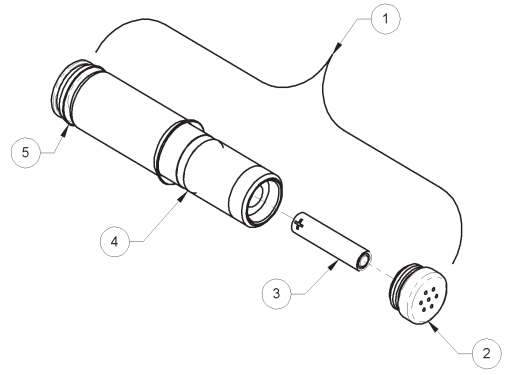
- Do not use the cup to lift loads that exceed the Maximum Load Capacity or the effective capacity (see SPECIFICATIONS).
- Do not use the cup to support a person.
- Do not place the cup face against surfaces which could damage the sealing edges.
- Avoid conditions that could cause the cup to slip or to disengage prematurely, such as: contaminants, cuts or scratches in the cup face or contact surface; applying the cup to porous materials; or applying pressure against the cup edge.
- Do not use the cup to lift when the red line is visible or the audio alarm is sounding. If the red line reappears or the audio alarm sounds frequently, discontinue use and see MAINTENANCE: Service.
- Do not allow anything to interfere with free movement of the plunger while the cup is attached.
- Do not touch the release tabs (on 6" [153 mm] cups) or the valve release lever (on other cups) while lifting.
- Do not attach 10" [254 mm] diameter cups to thin, fragile materials.
- Do not use harsh chemicals (such as solvents or gasoline) or unauthorized rubber cleaners and conditioners to clean the cup.
- Avoid contact with battery leaks because they contain chemicals that could damage eyes, skin, clothing or the plunger assembly.
- Do not expose a battery to excessive heat (see SPECIFICATIONS: Environmental Conditions), because this could cause the battery to explode.



PLUNGER ASSEMBLY WITH LOW VACUUM AUDIO ALARM

Installation

Limited Warranty



1. Plunger Assembly with Audio Alarm (WBP)
2. Plunger Cap with Sound Emission Holes
3. AAA Battery
4. Red Line
5. U-Cup

See overleaf for SPECIFICATIONS, OPERATION, MAINTENANCE and WARNINGS.

TO INSTALL PLUNGER ASSEMBLY

Grasp the head of the old plunger assembly and pull it straight out from the handle. If the plunger assembly is too tight to be removed this way, return the hand cup for repair.



Wrap a small dowel or rod with a soft, lint-free cloth and wipe the inside of the handle, to make sure it is clean and dry (lubricant-free). Carefully examine the inside of the handle for scratches and contaminants, using a flashlight for illumination. Scratches between the mid-point and the closed end of the handle can cause leakage. Scratches near the open end of the handle rarely present a problem. Make sure that no old lubricant remains inside the handle.



Using a soft swab, apply a ring of new lubricant around the inside of the handle, at a point about 1" [25 mm] from the closed end. Keep the open end of the handle as dry (lubricant-free) as possible. Silicone lubricant is recommended; contact Wood's Powr-Grip Customer Service to order this. Do not use improper lubricants in the handle.

Insert the U-cup end of the plunger assembly into the



handle, and push until the plunger assembly begins to tighten; then seat the plunger assembly with one strong, swift motion. Operate the plunger, turning it to spread the lubricant thoroughly on the U-cup. Then leak-test the hand cup as directed in the following section.

TO LEAK-TEST HAND CUP

Attach the hand cup to a clean, smooth, scratch-free piece of glass or metal for approximately 2 hours. The audio alarm and the red line on the plunger serve as low vacuum indicators: If the audio alarm *does not* sound and red line *does not* appear during the test period, the cup is usable; if the audio alarm *does* sound or the red line *does* appear, discontinue use until the problem is corrected. See MAINTENANCE: Service (overleaf) for more instructions.

TO REPLACE BATTERY

Test the audio alarm regularly (see OPERATION: To Test Audio Alarm, overleaf) and replace the battery as necessary. CAUTION: Follow the battery manufacturer's instructions for correct handling, storage and disposal of batteries.

- 1) Hold the plunger and turn the plunger cap counter-clockwise to loosen it.
- 2) Remove the plunger cap and the old battery.
- 3) Install a new battery in the battery chamber, making sure to orient the positive end (+) toward the red line and the negative end (-) toward the plunger cap. CAUTION: Do not reverse battery polarity, because the audio alarm will not function.
- 4) Reinstall the plunger cap, turning clockwise to tighten it securely.

LIMITED WARRANTY

Wood's Powr-Grip vacuum cups are carefully constructed, thoroughly inspected at various stages of production, and individually tested. They are warranted to be free from defects in workmanship and materials for one year from the date of purchase. If a problem develops during the warranty period, return the complete product as directed below. If inspection shows that the problem is due to defective workmanship or materials, the product will be repaired or replaced without charge.

WARRANTY DOES NOT APPLY WHEN:

- Rubber portions have been cut or scratched during use.
- Repairs are required due to abnormal wear and tear.
- The product has been abused, misused or neglected.
- Alterations have been made to the product.

A problem not covered under warranty will be corrected automatically, unless the customer includes a written request for notification of costs prior to repair. Otherwise the customer assumes all responsibility for repair costs and agrees to receive the repaired product on a C.O.D. basis.

TO OBTAIN WARRANTY SERVICE

For purchases in **North America**:

- Please include your name, address and phone number;
- Indicate **WARRANTY RETURN**;
- Ship product—prepaid—**DIRECTLY TO MANUFACTURER** at:
Wood's Powr-Grip Co., Inc.
908 West Main
Laurel, MT 59044 U.S.A.

For purchases in **all other localities**:

- Return product to point of purchase.

RETAIN THIS INFORMATION FOR YOUR RECORDS.

<hr style="border: 0; border-top: 1px solid black; margin-bottom: 5px;"/> Purchased From
<hr style="border: 0; border-top: 1px solid black; margin-bottom: 5px;"/> Date Purchased
<hr style="border: 0; border-top: 1px solid black; margin-bottom: 5px;"/> Model No.
<hr style="border: 0; border-top: 1px solid black; margin-bottom: 5px;"/> Serial No. (if present)