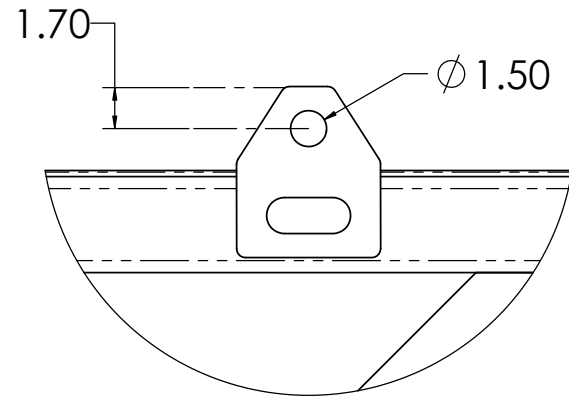
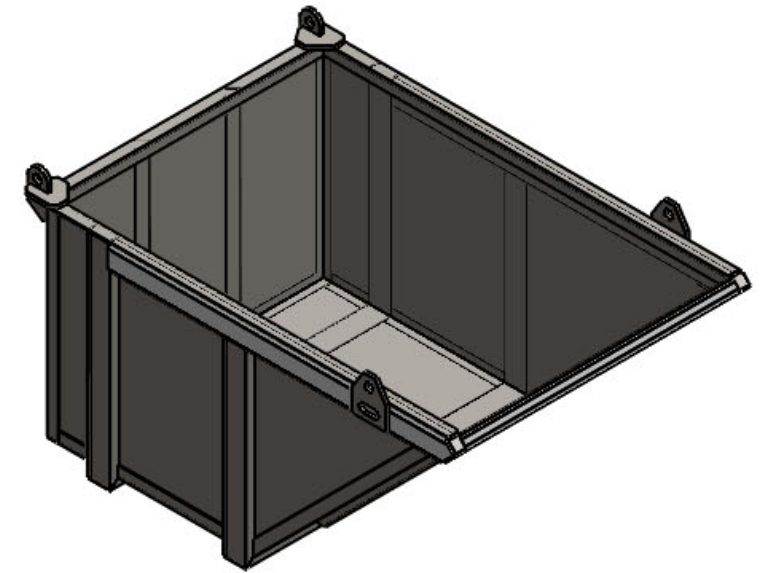
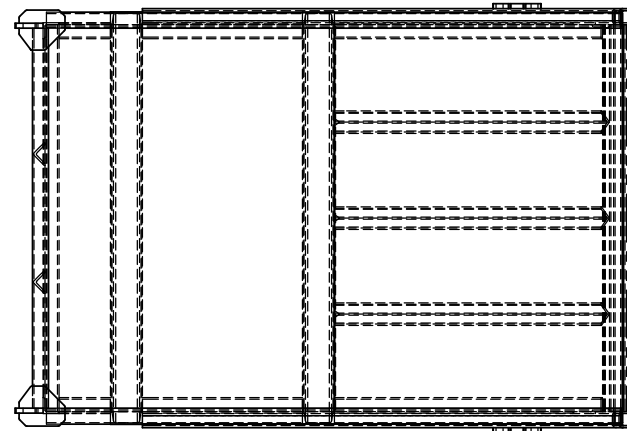


DETAIL B
SCALE 1 : 4

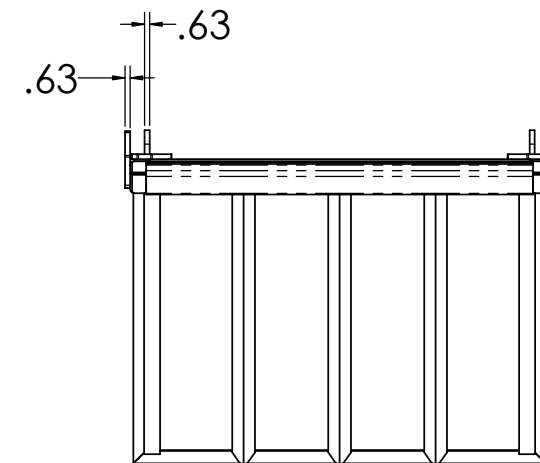
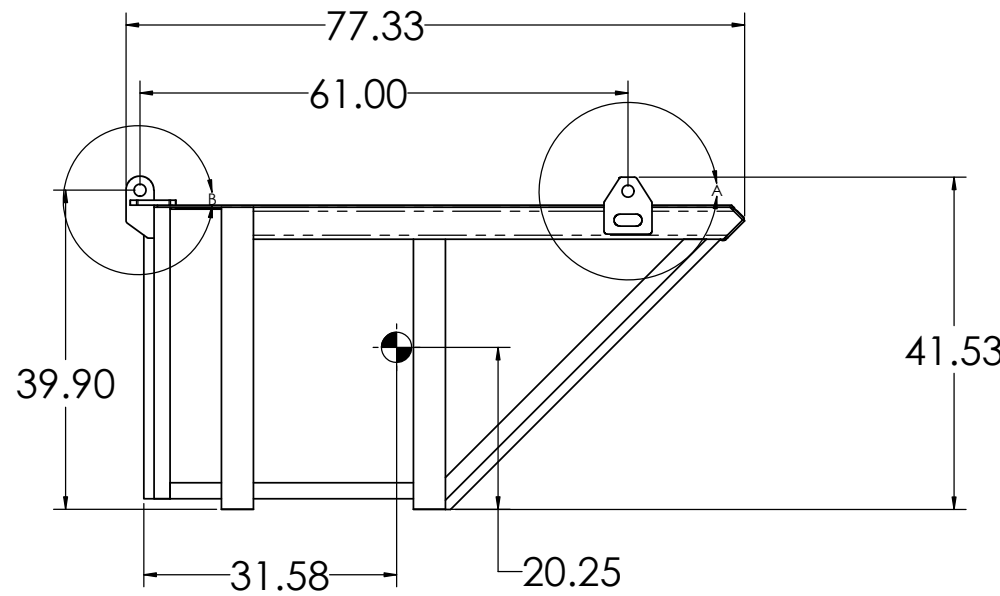
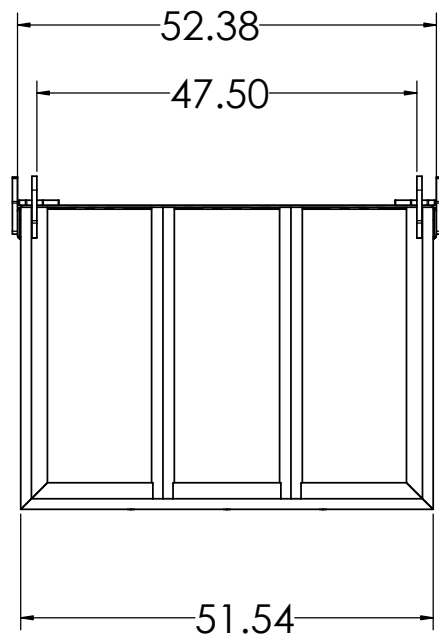


DETAIL A
SCALE 1 : 4



MODEL 1447B -
EMPTY WEIGHT - 1030 LBS.
LOAD CAP. - 7000 LBS.
INSIDE DIMENSIONS - 4'X6'X3' HIGH

NOTE: MODEL 1446B SAME EXCEPT:
EMPTY WEIGHT - 925 LBS.
MAX. LOAD CAP. - 5,000 LBS.
INSIDE DIM. - 4'X6' X 2' HIGH

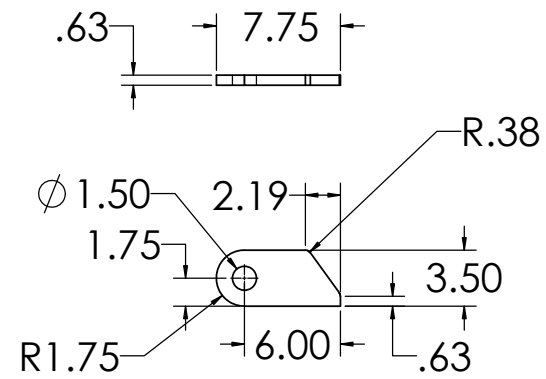


PROPRIETARY AND CONFIDENTIAL
THE INFORMATION CONTAINED IN THIS
DRAWING IS THE SOLE PROPERTY OF
-INSERT COMPANY NAME HERE-. ANY
REPRODUCTION IN PART OR AS A WHOLE
WITHOUT THE WRITTEN PERMISSION OF
-INSERT COMPANY NAME HERE- IS
PROHIBITED.

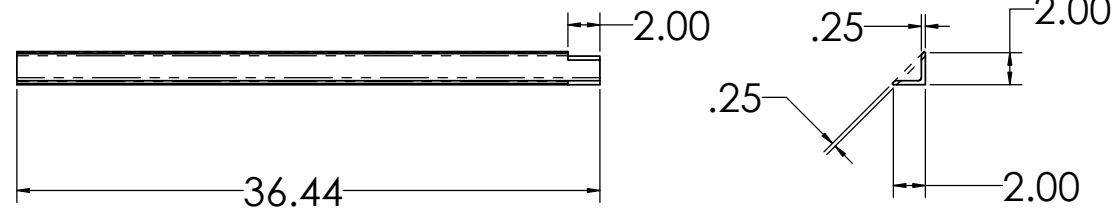
UNLESS OTHERWISE SPECIFIED:		NAME	DATE
DIMENSIONS ARE IN INCHES	TOLERANCES	DRAWN	
FRACTIONAL	±	CHECKED	
ANGULAR	MACH ±	ENG APPR.	
TWO PLACE DECIMAL	±	MFG APPR.	
THREE PLACE DECIMAL	±		
INTERPRET GEOMETRIC TOLERANCING PER: MATERIAL		Q.A.	
		COMMENTS:	
NEXT ASSY	USED ON		
APPLICATION			

TITLE:		REV
CRANE SKIP		
SIZE	DWG. NO.	REV
MODEL 1447B DLR DWG		
SCALE: 1:12	WEIGHT: 955	SHEET 1 OF 4

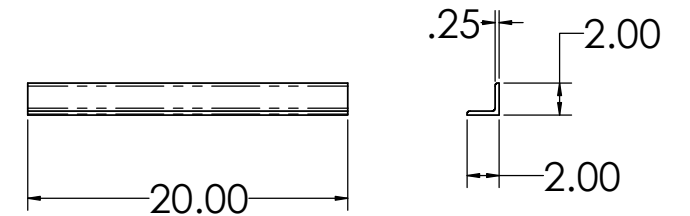
MODEL 1447B DLR DWG



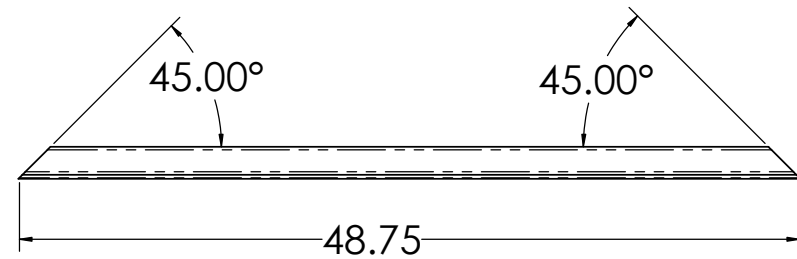
ITEM 22 A-36



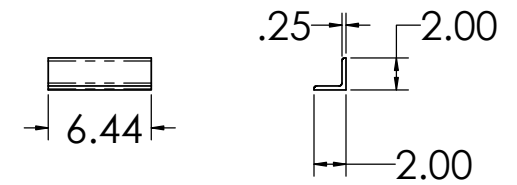
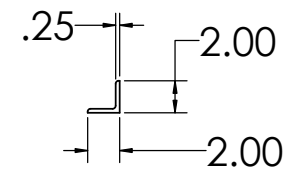
ITEM 12 A-36



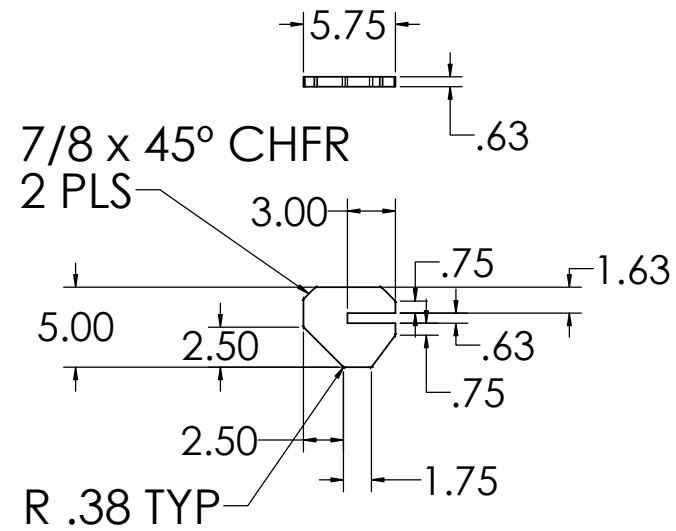
ITEM 11 A-36



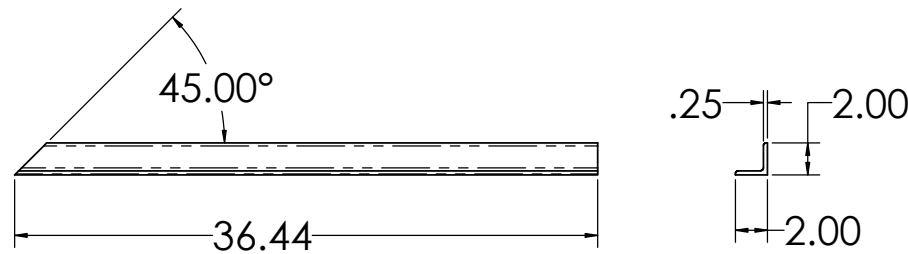
ITEM 9 A-36



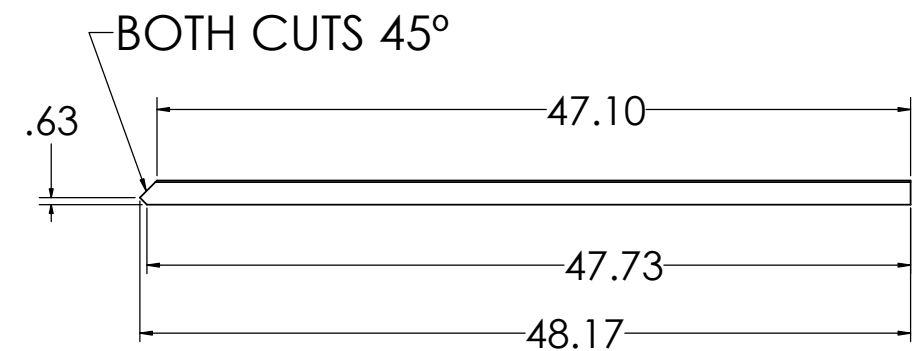
ITEM 10 A-36



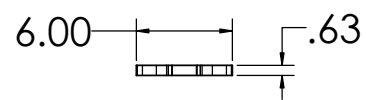
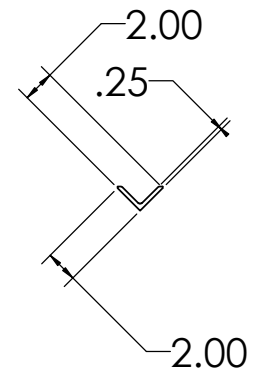
ITEM 21 A-36



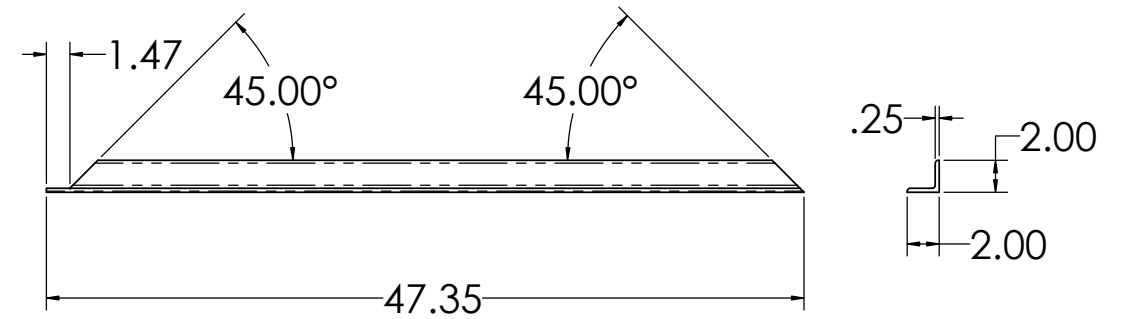
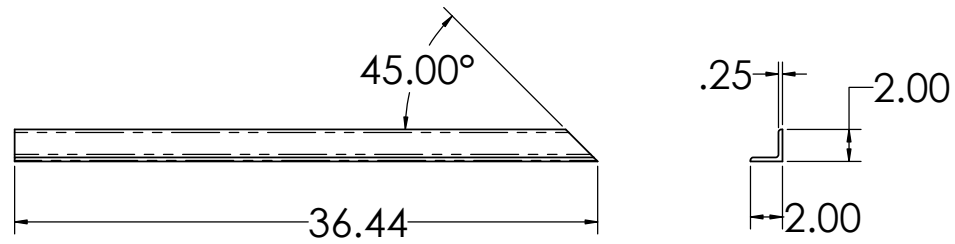
ITEM 8 A-36



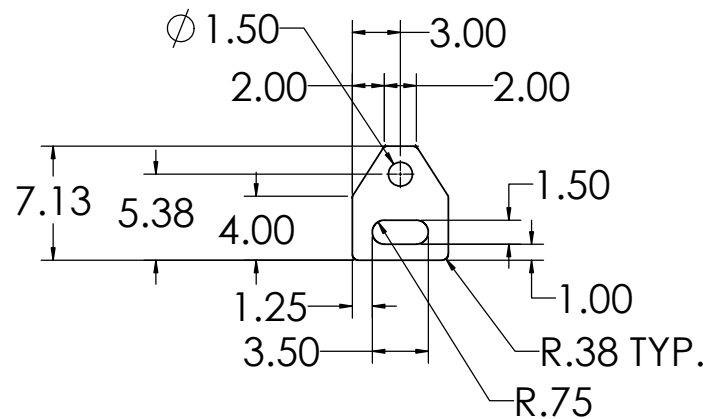
ITEM 13 A-36



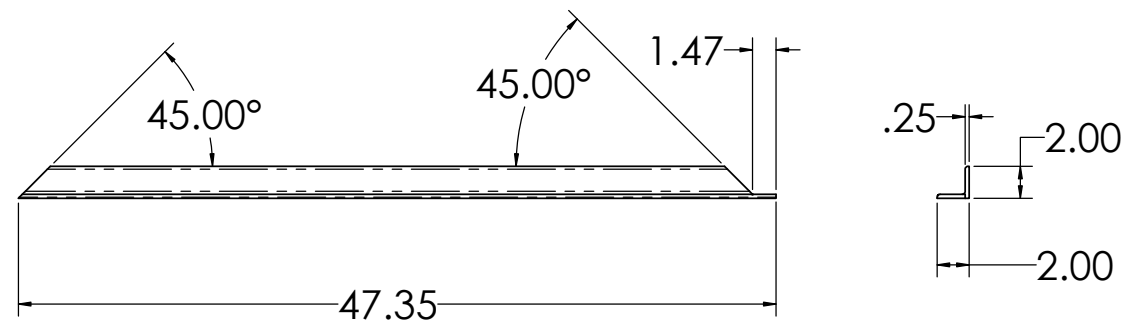
ITEM 7 A-36



ITEM 14 A-36



ITEM 23 A-36



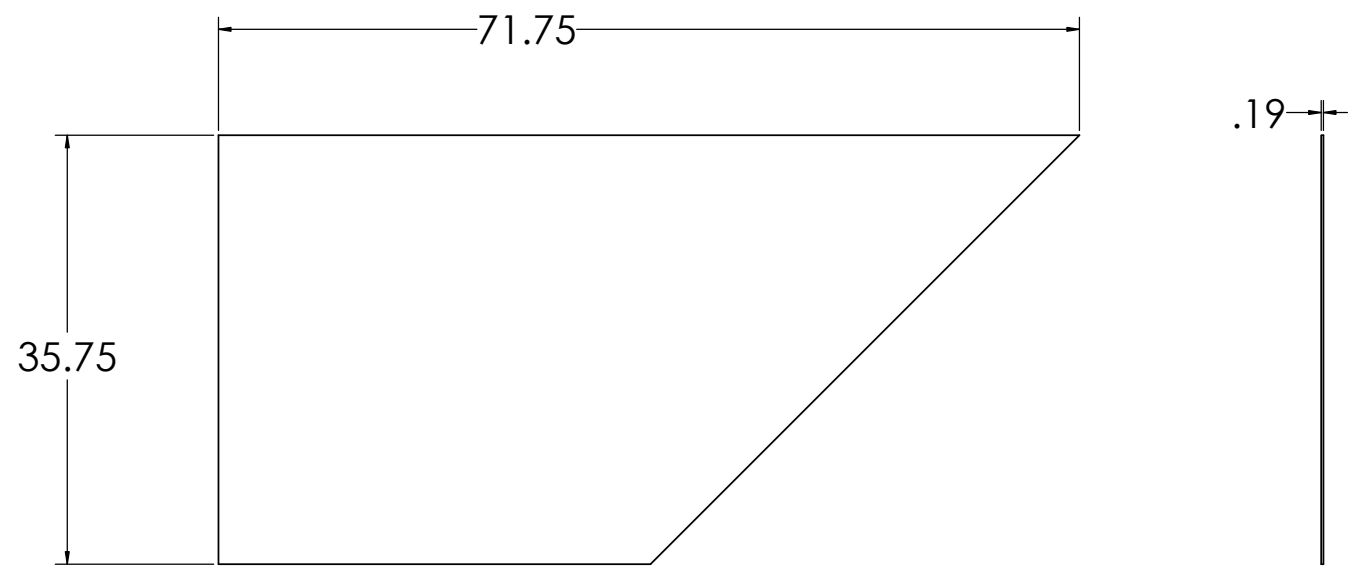
ITEM 15 A-36

PROPRIETARY AND CONFIDENTIAL
THE INFORMATION CONTAINED IN THIS DRAWING IS THE SOLE PROPERTY OF [INSERT COMPANY NAME HERE]. ANY REPRODUCTION IN PART OR AS A WHOLE WITHOUT THE WRITTEN PERMISSION OF [INSERT COMPANY NAME HERE] IS PROHIBITED.

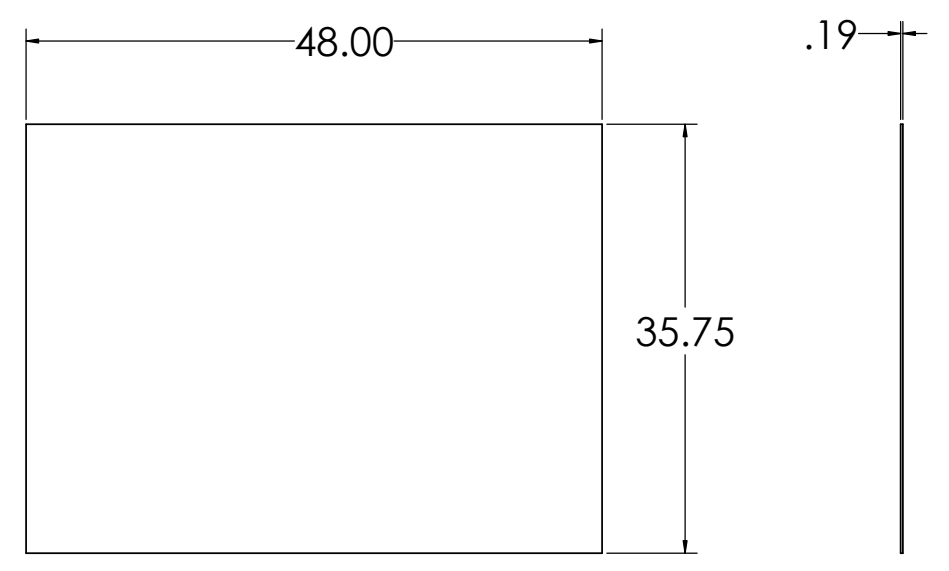
UNLESS OTHERWISE SPECIFIED:		NAME	DATE
DRAWN			
CHECKED			
ENG APPR.			
MFG APPR.			
INTERPRET GEOMETRIC TOLERANCING PER: MATSUDA		Q.A.	
COMMENTS:			
NEXT ASSY	USED ON	FINISH	
APPLICATION			

TITLE:		CRANE SKIP	
SIZE	DWG. NO.	REV	
MODEL 1447B	DLR DWG		
SCALE: 1:6	WEIGHT:		SHEET 2 OF 4

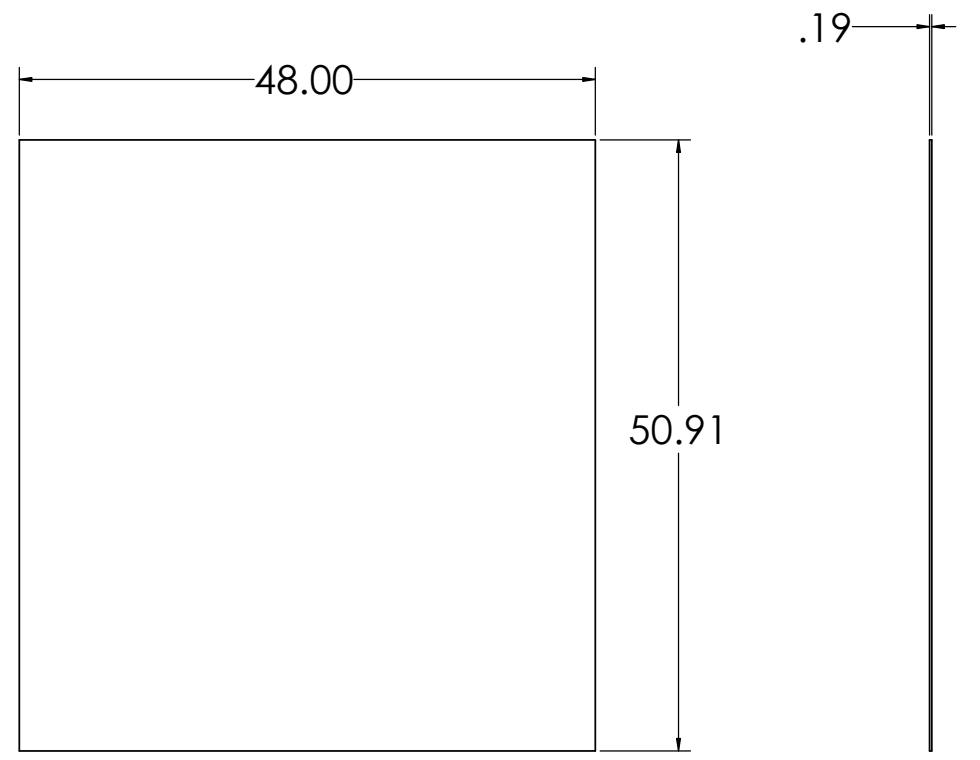
MODEL 1447B DLR DWG



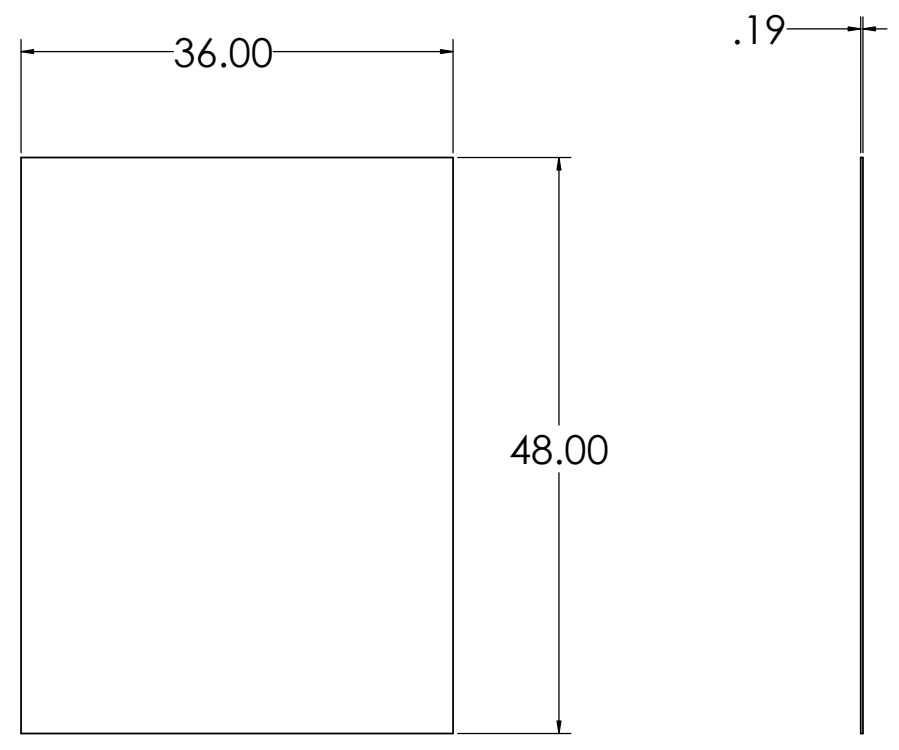
ITEM 3 A-36



ITEM 1 A-36



ITEM 4 A-36

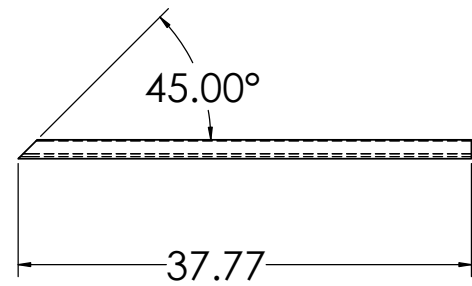


ITEM 1 A-36

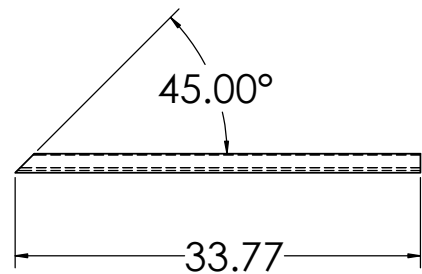
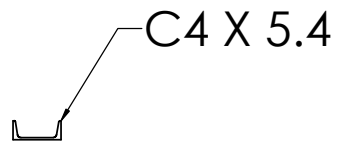
PROPRIETARY AND CONFIDENTIAL
 THE INFORMATION CONTAINED IN THIS
 DRAWING IS THE SOLE PROPERTY OF
 [INSERT COMPANY NAME HERE]. ANY
 REPRODUCTION IN PART OR AS A WHOLE
 WITHOUT THE WRITTEN PERMISSION OF
 [INSERT COMPANY NAME HERE] IS
 PROHIBITED.

UNLESS OTHERWISE SPECIFIED:		DRAWN		NAME		DATE	
DIMENSIONS ARE IN INCHES		CHECKED					
TOLERANCES		ENG APPR.					
FRACTIONAL ±		MFG APPR.					
ANGULAR MATCH ±							
TWO PLACE DECIMAL ±							
THREE PLACE DECIMAL ±							
INTERPRET GEOMETRIC		Q.A.					
TOLERANCING PER:		COMMENTS:					
MATERIAL							
FINISH							
NEXT ASSY	USED ON						
APPLICATION							

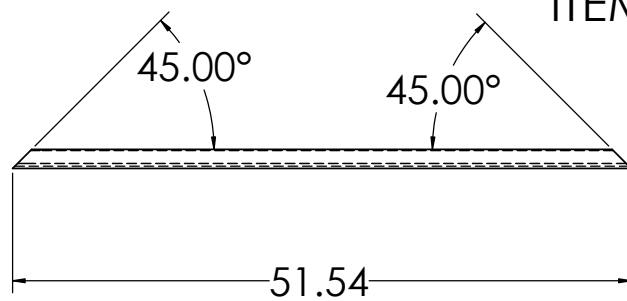
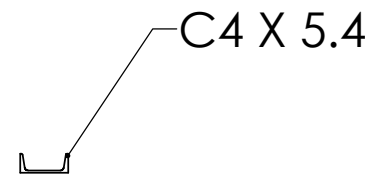
TITLE: CRANE SKIP			
SIZE	DWG. NO.	REV	
MODEL 1447B	DLR DWG		
SCALE: 1:8	WEIGHT:	SHEET 3 OF 4	



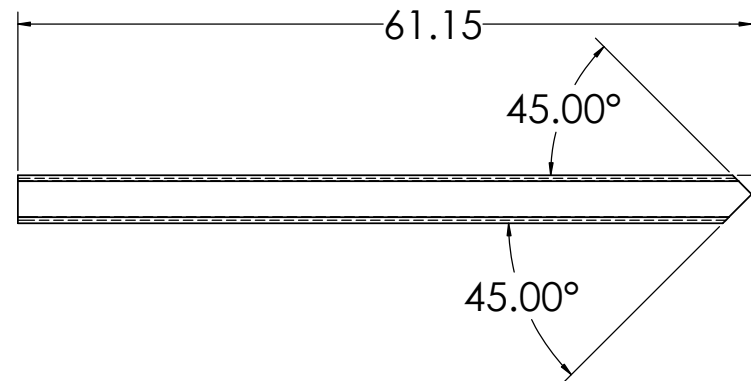
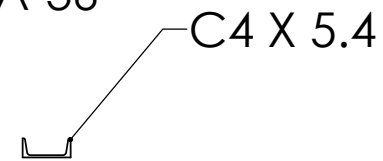
ITEM 5 A-36



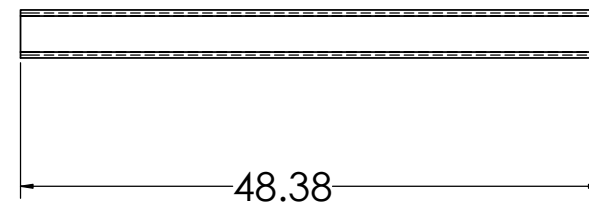
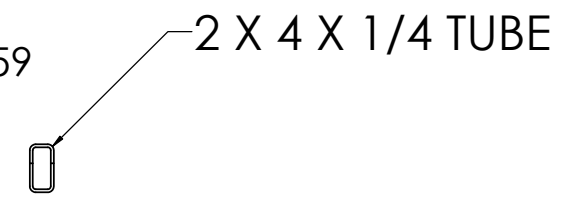
ITEM 26 A-36



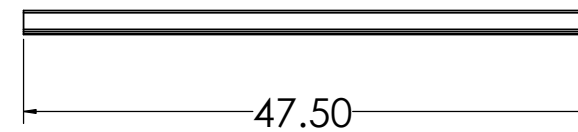
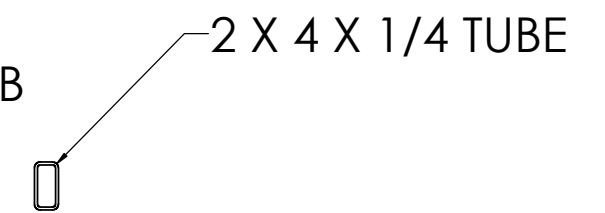
ITEM 6 A-36



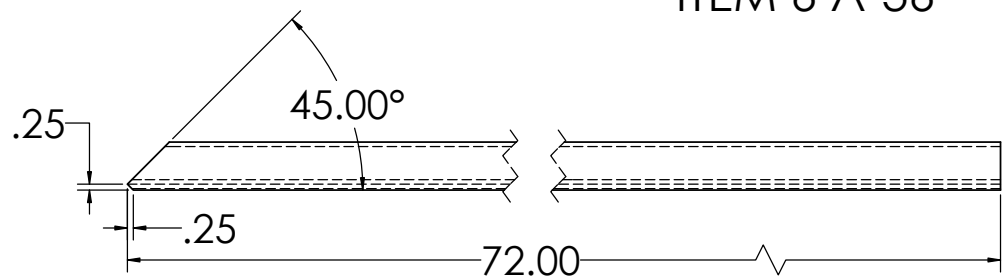
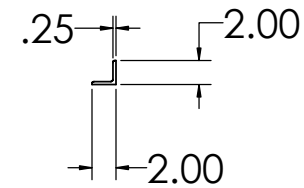
ITEM 20 A500 GRD B



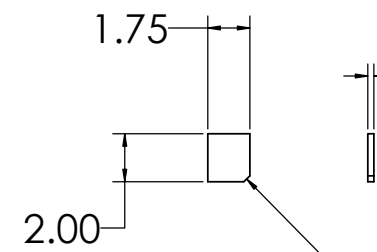
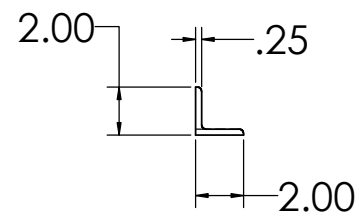
ITEM 19 A500 GRD B



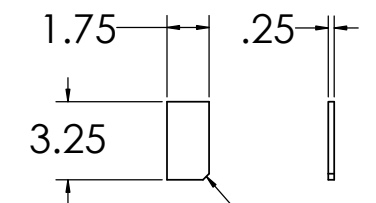
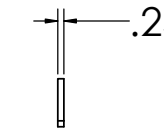
ITEM 18 A-36



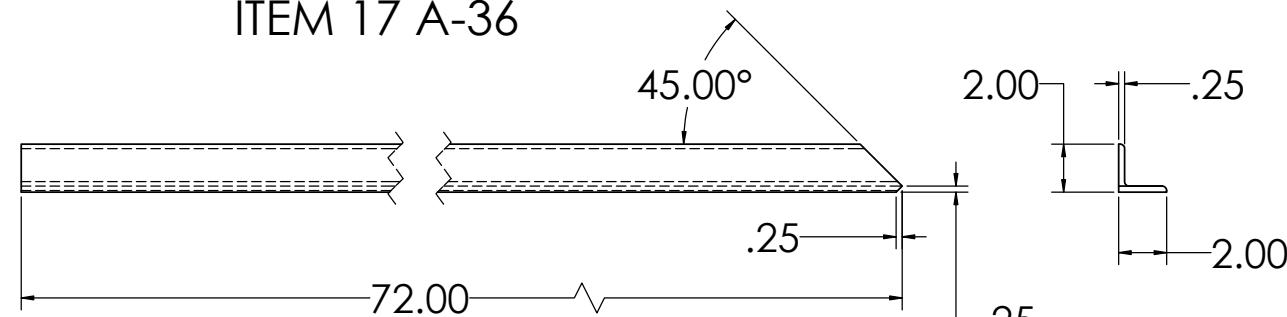
ITEM 17 A-36



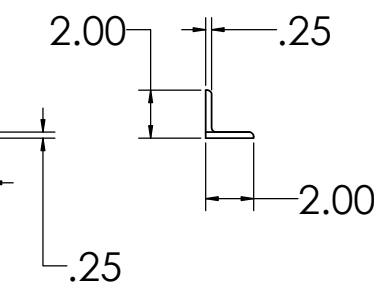
1/4 X 45° CHFR
ITEM 25 A-36



1/4 X 45° CHFR
ITEM 24 A-36



ITEM 16 A-36



PROPRIETARY AND CONFIDENTIAL
THE INFORMATION CONTAINED IN THIS DRAWING IS THE SOLE PROPERTY OF...
REPRODUCTION IN PART OR AS A WHOLE WITHOUT THE WRITTEN PERMISSION OF... IS PROHIBITED.

UNLESS OTHERWISE SPECIFIED:		NAME	DATE
DRAWN			
CHECKED			
ENG APPR.			
MFG APPR.			
Q.A.			
COMMENTS:			
NEXT ASSY	USED ON	FRSH	16.8
APPLICATION			

TITLE:		CRANE SKIP	
SIZE	DWG. NO.	REV	
MODEL 1447B	DLR DWG		
SCALE: 1:8	WEIGHT:		SHEET 4 OF 4

MODEL 1447B DLR DWG