



# ALL-TERRAIN DOLLY

## MODEL: ATD1

When going over rough terrain or handling heavy windows and doors manually, this device helps move loads around a job site more efficiently.



### Integrated Powr-Grip® Hand Cup

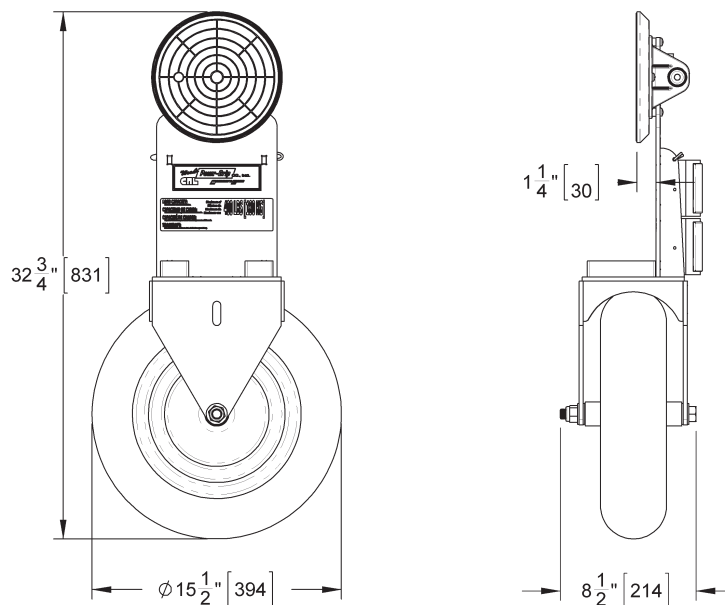
Attach a load with confidence, using the original and trusted name in vacuum lifting.

### Extra Cushioning

Rubber bumpers and a pneumatic tire help reduce the risk of damaging a load.

### Less Strain on Handlers

Sturdy design allows easier transport of loads weighing up to 400 pounds.



Based on product information at time of publication. Environmental conditions can affect product performance and longevity; consult the product instructions on WPG.com or contact a Technical Sales Representative for more information.

<b>Model</b>	ATD1
<b>Maximum Load Capacity</b>	400 lbs [180 kg] with 3 or more users 200 lbs [90 kg] with 2 users 100 lbs [45 kg] with 1 user <i>Note: Load must be balanced. For loads greater than 200 lbs [90 kg], 2 users must support the load while the 3rd user attaches the dolly to the load.</i>
<b>Operating Temperatures</b>	10°–120° F [-12°–49° C]
<b>Product Weight</b>	17 lbs [7.7 kg]

## STANDARD FEATURES

### Pneumatic Tire

Rolls easily over smooth or rough terrain, while cushioning load from bumps

### Vacuum Pad

Attaches quickly to smooth, nonporous flat loads, without marking or damaging most surfaces

### Red-Line Vacuum Indicator

Warns user of significant vacuum loss

### Check Valve

Allows repumping without loss of remaining vacuum

### Release Valve Lever

Permits quick and complete release from load

