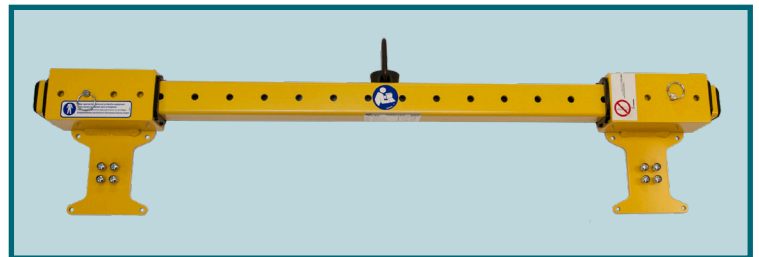
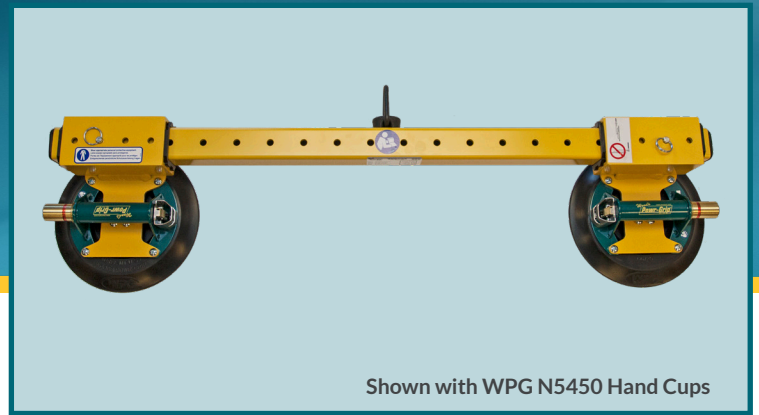


VERTICAL LIFT HAND CUP FRAME 300

MODEL: VL2MAN

This vacuum lifter provides an inexpensive way to put Powr-Grip's® hand-held vacuum cups to work using hoisting equipment.



Simple Design

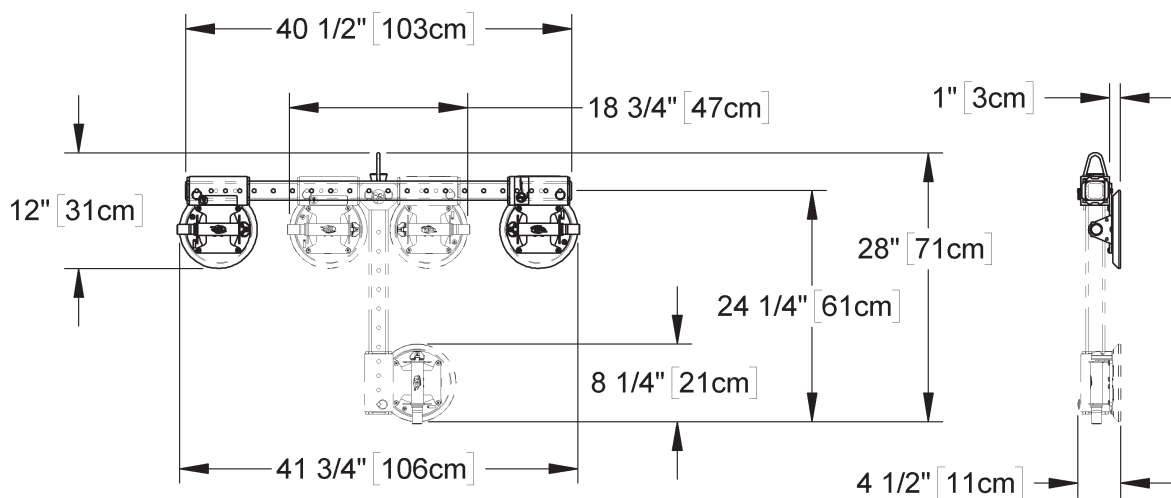
Combines the sturdy frame of our larger machines with the convenience and economy of WPG's hand cups, providing operators with a system that's both functional and affordable

Lighter Weight



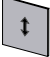
Means greater accessibility and ease-of-use, whether the VL2MAN is used with a crane or a forklift

Adjustable Mounts

Allows operators to move hand cups along the frame for maximum lifting capability



**USE ONLY WHERE CUPS CAN BE MONITORED
 AND REPUMPED IF NECESSARY.**

Compatible Hand Cup Models <i>Note: Hand cups sold separately.</i>	N4950	N5450	N6292
Nominal Hand Cup Diameter	8" [20 cm]	9" [23 cm]	11" [28 cm]
Standard Pad Spread (with hand cups)	Minimum: 8-1/4" x 16-3/4" [21 x 42 cm] Maximum: 8-1/4" x 41-3/4" [21 x 106 cm]	Minimum: 9-1/4" x 18-3/4" [23 x 47 cm] Maximum: 9-1/4" x 42-3/4" [23 x 108 cm]	Minimum: 12" x 24-1/2" [30 x 62 cm] Maximum: 12" x 45-1/2" [30 x 116 cm]
Load Capacity (with hand cups)	180 lbs [80 kg]	220 lbs [100 kg]	300 lbs [135 kg]
Unit Weight (with hand cups)	25 lbs [12 kg]	25 lbs [12 kg]	25 lbs [12 kg]
Load Movement	Upright to upright 	Upright to upright 	Upright to upright 

STANDARD FEATURES

Sliding mounts

Accommodate many load sizes by moving hand cups to different locations along the pad frame, giving operators a variety of load-positioning options

AVAILABLE OPTIONS

Adjustable center arm (97933)

Provides added security for the VL2 Vertical Lifter Hand Cup Frame

Special sizes and capacities

Enable lifter to handle additional load sizes and shapes

DESIGN STANDARDS

ASME B30.20 (BTH-1 Design Category "B", Service Class "0"): Industry standards established by the American Society of Mechanical Engineers (ASME) and published by the American National Standards Institute (ANSI)



Based on product information at time of publication.
Environmental conditions can affect product performance and longevity; consult the product instructions on WPG.com or contact a Technical Sales Representative for more information.