



MANUAL TILTER 150

MODEL: MT1HV11DC

This WPG model allows a single operator to lift and tilt loads up to 150 lbs [70 kg] with ease.

Compact, Lightweight Design

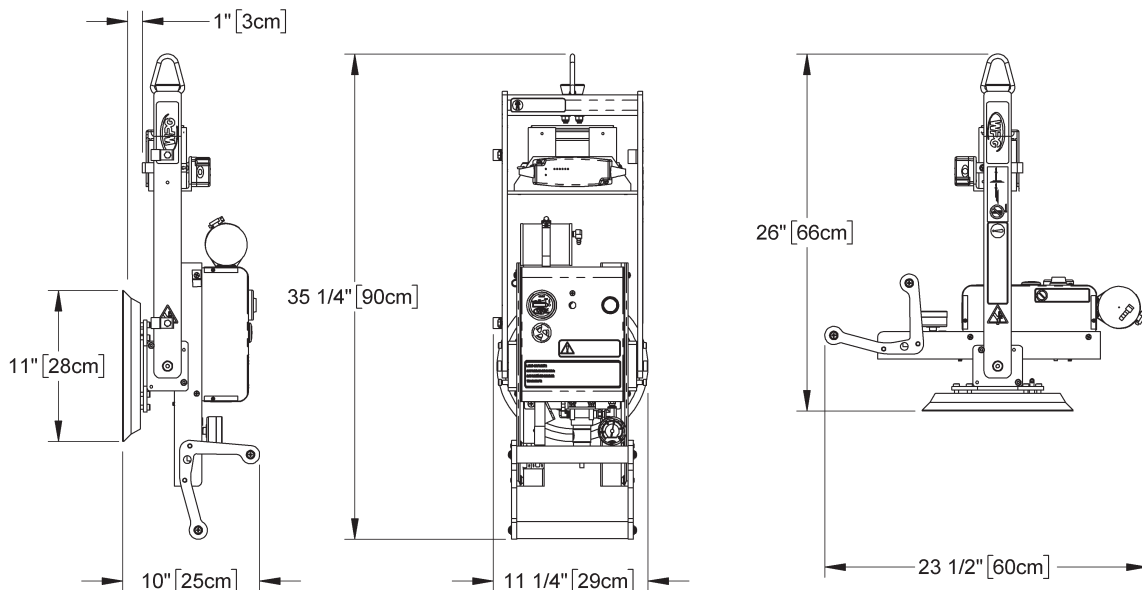
Reduces effort needed to handle small but heavy loads.

Speedy Load Attaching and Releasing

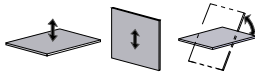
Improves overall efficiency when used for repetitive lifting.

Safety-Minded Features

Include low-vacuum indicators and a battery gauge on the standard DC-powered model.



*EU REQUIRES A SECONDARY SAFETY DEVICE WHEN USED ON CONSTRUCTION SITES.

Model	MT1HV11DC	
Maximum Load Capacity	150 lbs [70 kg]	
Standard Pad Spread	11" x 11" [28 cm x 28 cm]	
Number/Size of Pads	1 / 10" [25 cm] dia. lipped	
Load Movement	Manual tilt, 90° between upright and flat	
Apply/ Release Times	2 seconds/ 3 seconds (approximately)	
Standard Operating Power	12 volts DC, 3.5 amps (Other voltages available)	
Lifter Weight	45 lbs [21 kg]	

STANDARD FEATURES

Battery and Charger

Provide independent, rechargeable power source for cord-free lifter operation in any location; on-board charger features automatic shut-off

Battery Gauge

Shows energy level in real time, to help determine when charging is needed

Low Vacuum Warning Light

Uses red light to warn operator when vacuum is not sufficient for lifting

Vacuum Gauge

Features green and red zones, to clearly indicate whether vacuum level is sufficient for lifting

Vacuum Line Filter

Protects the vacuum generating system from contaminates

Vacuum Reserve Tank

Increases battery run-time by reducing pump cycles needed to maintain vacuum

AVAILABLE OPTIONS

Flat Lifter Model (FL1HV11DC)

Prevents undesirable tipping of loads handled strictly in the flat orientation. 300 lbs [135 kg] capacity.

Alternative Power Systems

AC power system (MT1HV11ACS)

Air (venturi) power system (MT1HV11AIRS)

(Specifications may not be as listed above. Please contact us for more information.)

DESIGN STANDARDS

ASME B30.20 (BTH-1 Design Category "B", Service Class "0"): Industry standards established by the American Society of Mechanical Engineers (ASME) and published by the American National Standards Institute (ANSI)

CE: Regulatory standards for health and safety required in the European Union

Based on product information at time of publication. Environmental conditions can affect product performance and longevity; consult the product instructions on WPG.com or contact a Technical Sales Representative for more information.

