

WOOD'S POWR-GRIP® C-FRAME/POWER TILTERS 500 & 750

These Powr-Grip® vacuum lifters feature powered 90° tilt and a unique design for moving materials into and out of upright cases.

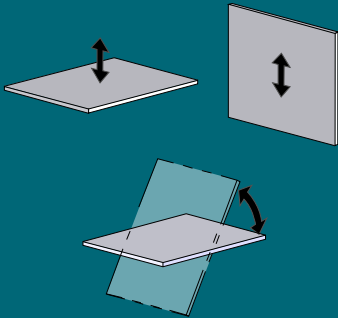


CFPT49ACS

500 lbs [225 kg]

CFPT69ACS

750 lbs [340 kg]



**THE ORIGINAL
& TRUSTED NAME
IN VACUUM LIFTING
EQUIPMENT**

**800.548.7341
WPG.com**

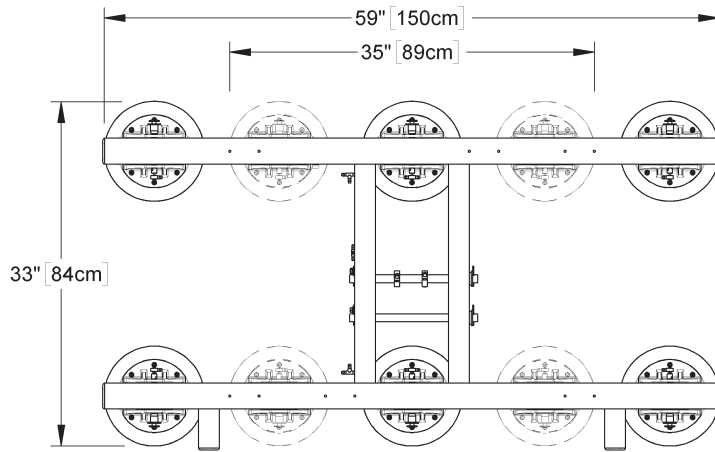
908 West Main - P.O. Box 368
Laurel, Montana 59044 U.S.A.
406.628.8231 (phone)
406.628.8354 (fax)

Wood's Powr-Grip products are sold through authorized dealers.

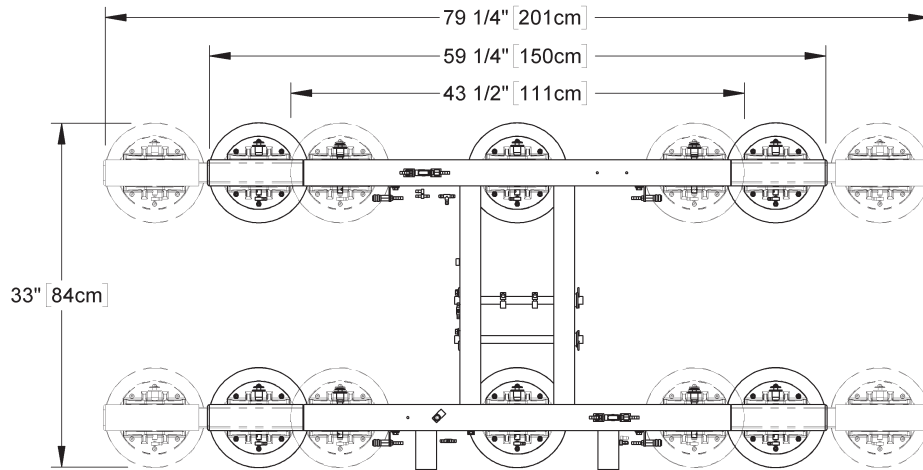
	CFPT49ACS	CFPT69ACS
Maximum Load Capacity	500 lbs [225 kg]	750 lbs [340 kg]
Time for 90° Tilt	7 seconds (approximately)	
Tilt Duty	81 tilts per hour	
Standard Operating Power	120 volts AC, 60 hertz, 12 amps (240 volts AC, 60 hertz, 6 amps also available)	
Load Movement	Power tilt, 90° between upright and flat	
Standard Features	Green lift light Movable control pendant Vacuum gauge Vacuum reserve tank Vacuum line filter Spring-mounted vacuum pads Twist-lock electrical plug Blow-off for quick release	
Available Options	Vacuum loss warning buzzer (93780AM) 12-Volt/DC vacuum back-up system (93756BM) Individual pad shutoffs (93011 or 95162*) Pad shutoffs kit with individual gauges (special order) Telescoping pad arms (95163* or special order) Movable pad mounts (95160*, 95161* or special order) Adjustable vertical handles (special order) Voltage adaptation (special order) * See next page	
Alternative Power Systems	DC power system (CFPT4/6DCS) Air (venturi) power system (CFPT4/69AIRS) (Specifications may not be as listed. Please contact us for more information.)	
Standard Throat Depth	18¼" [46 cm]	19" [48 cm]
Attach	2 seconds (approximately)	3 seconds (approximately)
Release	1 second (approximately)	2 seconds (approximately)
Standard Pad Spread	33½" x 30" [85 x 76 cm]	33" x 59" [84 x 150 cm]
Number / Size of Pads	4 / 9" [23 cm] diameter	6 / 9" [23 cm] diameter
Lifter Weight	230 lbs [105 kg]	260 lbs [118 kg]
Design Standards	ASME B30.20 (BTH-1 Design Category "B", Service Class "0") (See www.WPG.com for more information.)	

Based on product information at time of publication. Environmental conditions can affect product performance and longevity; consult the product instructions on WPG.com or contact a Technical Sales Representative for more information.

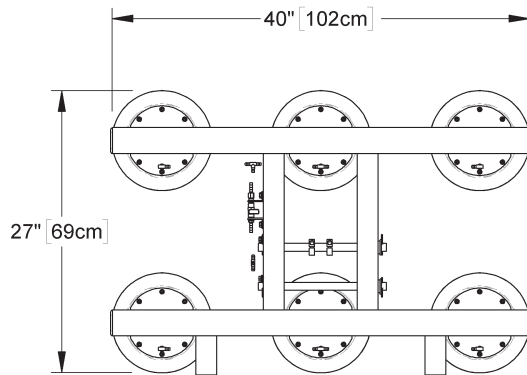
95160



95163



95162



95161

