

Combination Safety Shower with Eye/Face Wash

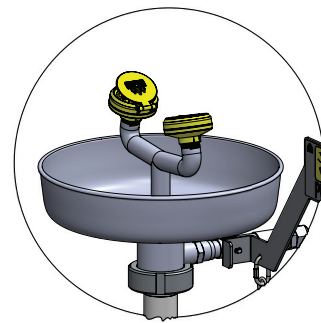
| DELUGE SHOWER | EYEWASH | EYE / FACE WASH | HAND OPERATED | FOOT OPERATED | DRAIN BOWL |
|---------------|---------|-----------------|---------------|---------------|------------|
| ✓ | | ✓ | ✓ | ✓ | ✓ |

APPLICATION

The Spill Crew SCES-CF4 emergency safety shower provides a deluge of water to rapidly flush contaminants from the body. Combined with a dedicated eye/face wash station, contaminants and irritants can also be flushed from the eyes and surrounding facial area. These combination hand and foot operated units with single point water supply connection and eye/face wash drain bowl are fully compliant with Australian Standard AS4775-2007, Emergency showers and eyewash equipment.

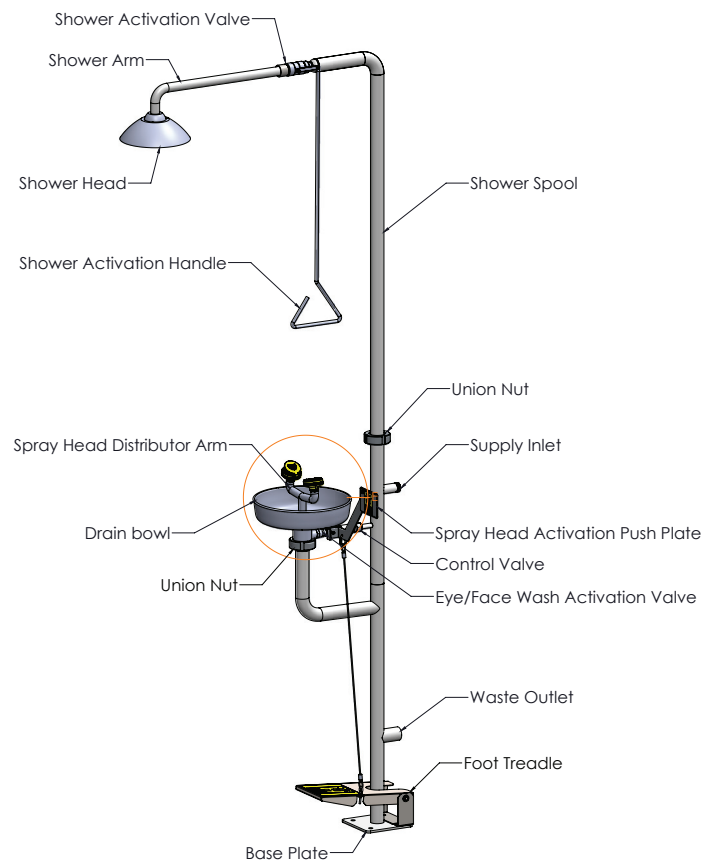
FEATURES

- Manufactured from corrosion resistant materials.
- Pull handle operated shower activation valve.
- Hand and/or foot operated eye/face wash activation valve.
- Durable, engineered OptiStream spray heads with easy to clean filters, flow regulators and self-opening covers to protect flushing fluid from airborne contaminants.
- Drain bowl to direct eye/face wash flushing water to waste.
- Integral baseplate to allow easy floor fixing.



Eye/Face Wash Spray Heads

| SPECIFICATIONS | |
|---------------------------------------|---|
| SERVICES | |
| Supply inlet: | 25mm BSP male |
| Waste outlet: | 38mm OD tube spigot to suit 1.1/2" hose |
| Design pressure - min/max: | 210 kPa / 550 kPa |
| Shower flow rate - min/design: | 75.7 L/min / 76 L/min |
| Eye/face wash flow rate - min/design: | 11.4 L/min / 18 L/min |
| Max temperature: | 38°C |
| COMPONENTS | |
| Pipework: | Grade 316 stainless steel |
| Activation valve - shower: | 25mm, full bore, CF8M, 1000 WOG |
| Activation valve - eye/face wash: | 1/2 inch, full bore, CF8M, 1000 WOG |
| Control valve - eye/face wash: | 1/2 inch, full bore, 316SS, PN63 |
| OptiStream spray heads: | 1/2" BSP female, PA66 (Nylon) |
| OptiStream filters: | 80 PPI pore density PU foam |
| OptiStream flow regulators: | Silicone, 60 duro, tapered orifice |
| Shower head & drain bowl: | Grade 316 stainless steel |
| Foot treadle assembly: | Grade 316 stainless steel |
| Pull rod & activation push plate: | Grade 316 stainless steel |
| SHIPPING | |
| Shipping weight: | 18kg |
| Shipping dimensions: | 116cm x 38cm x 46cm |

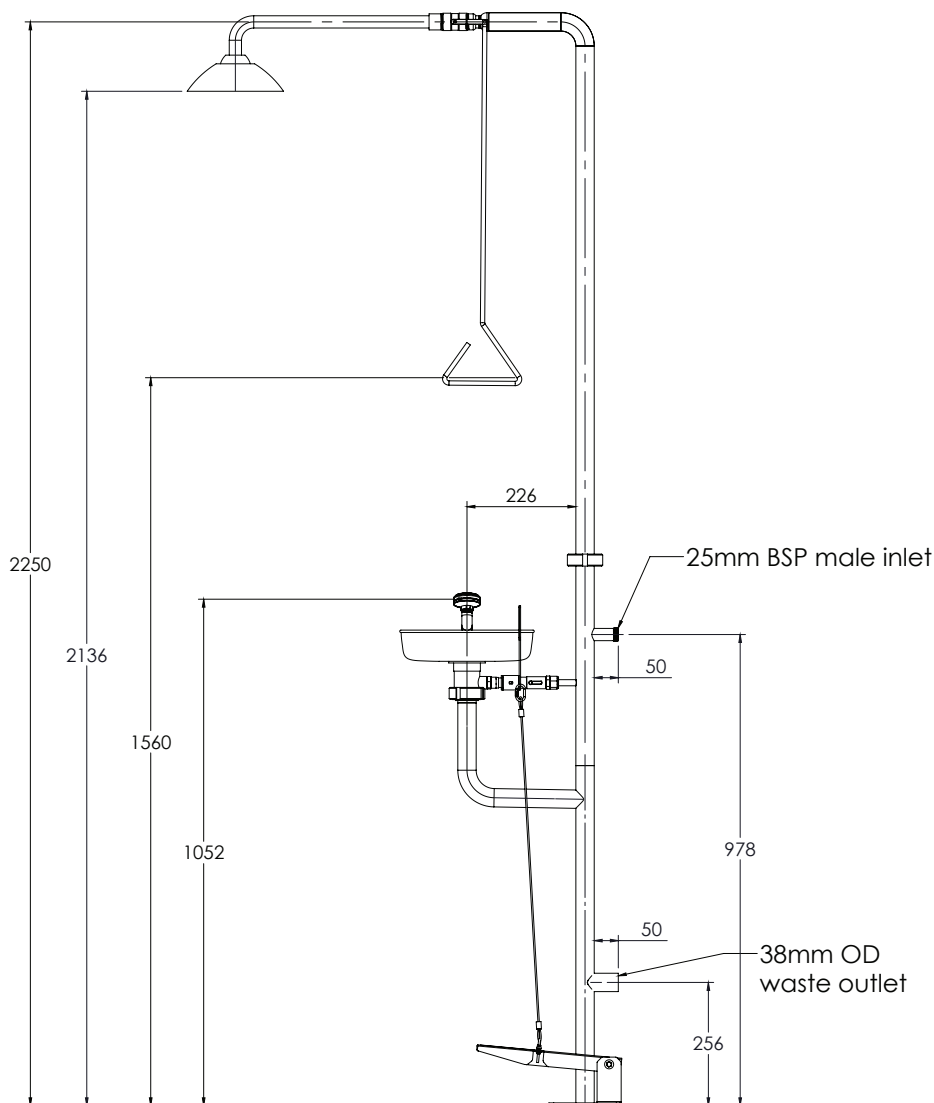


Technical Data Sheet

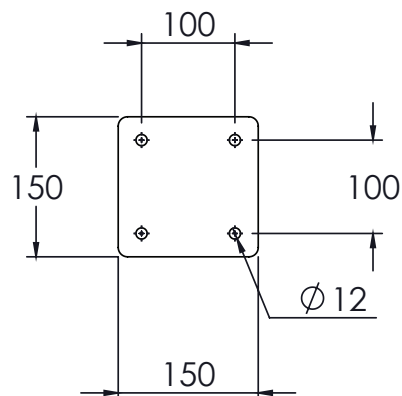
SCES-CF4



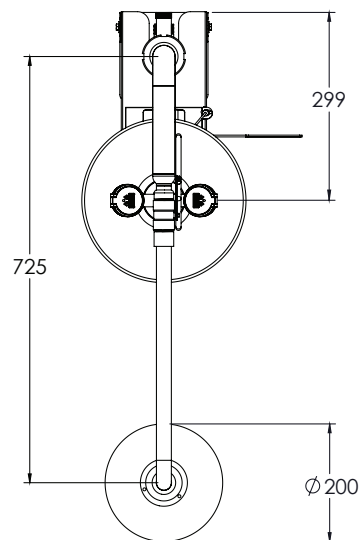
Side View Dimensions:



Base Plate:



Top View Dimensions:

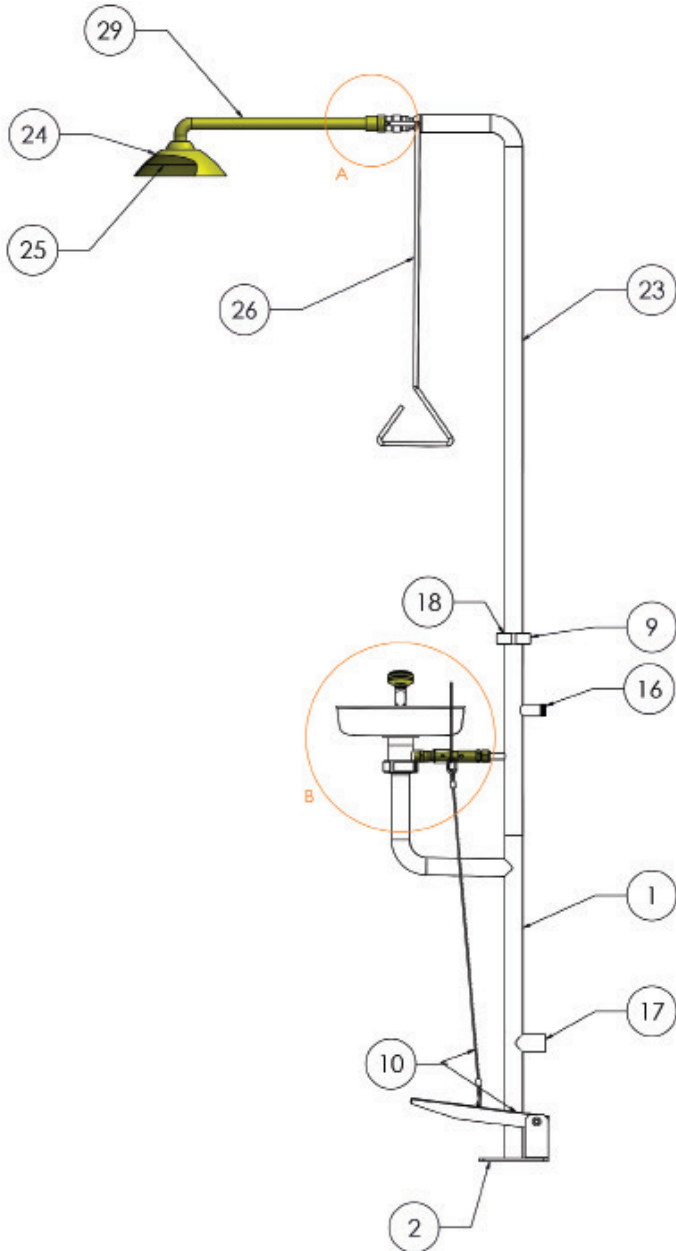


PERFORMANCE & COMPLIANCE

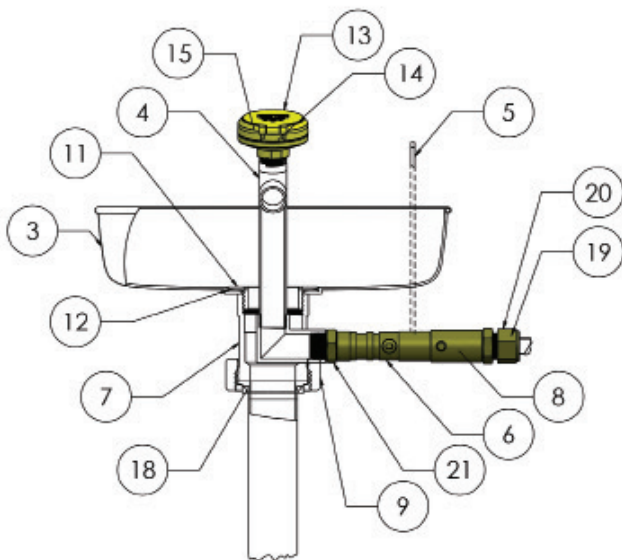
| | |
|-------------------------|---|
| Testing: | Spill Crew emergency showers and eyewash equipment are manufactured to meet the requirements of AS4775-2007 and are independently tested for compliance by a NATA accredited laboratory. |
| Performance: | In accordance with AS4775-2007, plumbed emergency showers with combination eye/face wash must have a minimum uninterrupted flushing fluid supply capable of meeting the requirements of each component when both components are operating simultaneously. |
| Temperature: | AS4775-2007 refers to flushing fluids in excess of 38°C being harmful to the eyes and can enhance chemical interactions with the skin. |
| Research & Development: | Due to continual improvement and ongoing research and development, specifications may change without notice. |

Technical Data Sheet

SCES-CF4 - Spare Parts



| ITEM | PART NO | DESCRIPTION | QTY |
|------|---------|----------------------------------|-----|
| 1 | SP110b | Combination Stanchion | 1 |
| 2 | SP111 | Base Plate | 1 |
| 3 | SP120 | Drain Bowl | 1 |
| 4 | SP128 | Spray Head Distributor Arm | 1 |
| 5 | SP125 | Spray Head Activation Push Plate | 1 |
| 6 | SP124 | Spray Head Activation Valve | 1 |
| 7 | SP119 | Bowl Waste Receptor | 1 |
| 8 | SP123 | Spray Head Flow Control Valve | 1 |
| 9 | SP117 | Union Nut | 2 |
| 10 | SP112 | Foot Treadle Assembly | 1 |
| 11 | SP139 | Bowl Locknut | 1 |
| 12 | SP140 | Locknut Gasket | 1 |
| 13* | SP132 | Eye/Face Wash Spray Head | 2 |
| 14* | SP133 | Eye/Face Wash Flow Regulator | 2 |
| 15* | SP134 | Spray Head Filter | 2 |
| 16 | SP135 | Supply Inlet | 1 |
| 17 | SP115 | Waste Outlet | 1 |
| 18 | SP118 | Union Seal | 2 |
| 19 | SP143 | Compression Olive | 1 |
| 20 | SP122 | Compression Fitting | 1 |
| 21 | SP127 | Nipple | 1 |
| 22 | SP218 | Compliance Tag | 1 |
| 23 | SP212 | Shower Spool | 1 |
| 24 | SP313 | Shower Head | 1 |
| 25 | SP314 | Shower Head Flow Distributor | 1 |
| 26 | SP216 | Shower Activation Pull Rod | 1 |
| 27 | SP215 | Shower Activation Valve | 1 |
| 28 | SP311 | Shower Flow Regulator | 1 |
| 29 | SP310 | Shower Arm | 1 |
| 30 | SP142 | C - Hook Spanner | 1 |



ASSEMBLIES & SERVICE KITS

SP310A Shower Arm Assembly:

- 1x SP310 Shower Arm
- 1x SP313 Shower Head
- 1x SP314 Flow Distributor
- 1x SP311 Shower Flow Regulator

SP132A Spray Head Assembly:

- 2x SP132 Eye/Face Wash Spray Head
- 2x SP133 Eye/Face Wash Flow Regulator
- 2x SP134 Eye/Face Wash Spray Head Filter

SP141A Spray Head Inlet Manifold Assembly:

- 1x SP122 Compression Fitting
- 1x SP123 Control Valve
- 1x SP124 Activation Valve
- 1x SP127 Nipple
- 1x SP143 Compression Olive

SCES-SK1 Service Kit:

- 2x SP118 Union Seal
- 1x SP140 Bowl Gasket
- 2x SP130 Eyewash Flow Regulator (G)
- 2x SP133 Eye/Face Flow Regulator (R)
- 2x SP131 Spray Head Filter
- 1x SP311 Shower Flow Regulator
- 1x SP143 Compression Olive - Nylon
- 2x SP131 Eyewash Filter - Foam
- 2x SP134 Eye/Face Wash Filter - Foam