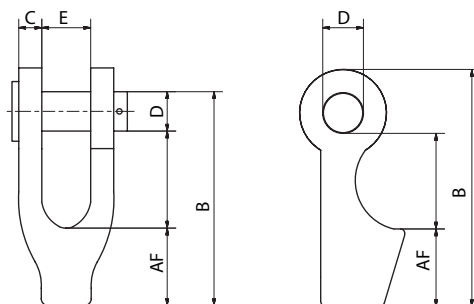




WEDGE SOCKETS – OPEN TYPE

The Wedge Sockets (Open Type) are made of Cast Alloy Steel and available for rope sizes 10mm - 38mm.

- 100% Magnetic particle inspected in accordance with AS1171
- Ultrasonically tested in accordance with AS2574
- Manufactured to meet the performance requirements of AS1666 Wire Rope Slings
- Surface finish options include black self colour, galvanized and painted



WIRE DIA (mm)	D (mm)	J (mm)	H (mm)	P (mm)	S (mm)	M (mm)	R (mm)	WLL (t)
10	16	22	52	8	135	60	22	2.6
13	24	45	90	24	206	75	45	10.3
16	33	54	85	30	235	85	54	13.4
20	36	67	120	35	300	110	67	20
22	36	67	142	35	340	140	67	21.3
26-28	42	77	144	43	350	135	77	33.7
32	56	70	200	45	445	200	70	39.6
38	60	105	210	58	540	240	105	57.4



We're Australia's leading online supplier of lifting equipment and partner with some of the most trusted brands in the world to deliver quality products at competitive prices.