

# Playground Equipment Reference Photos



**Flying Alpine**  
Playground Structure  
Sq ft: 915, Cost: \$23,900



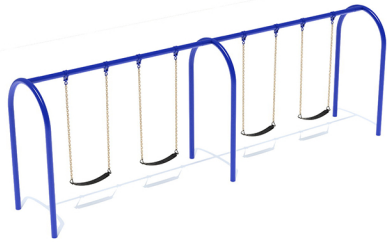
**Slide O'Riffic**  
Playground Structure  
Sq ft: 805, Cost: \$19,900



**Durango Delight**  
Playground Structure  
Sq ft: 835, Cost: \$24,100



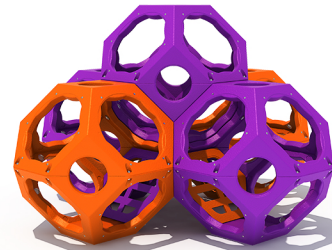
**Whirlwind Tower**  
Playground Structure  
Sq ft: 610, Cost: \$16,500



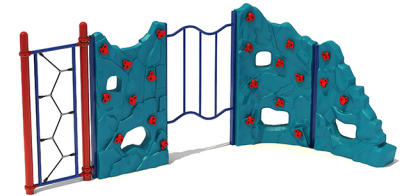
**2-Bay Swings**  
Swings  
Sq ft: 880, Cost: \$2,600



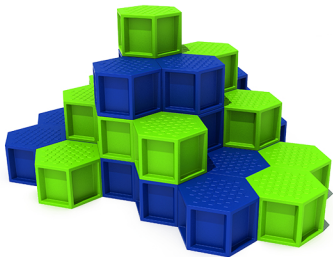
**Big Bend Swing**  
Swings  
Sq ft: 530, Cost: \$7,600



**iKube Climber**  
Large Freestanding  
Sq ft: 440, Cost: \$6,700



**Ocean Peak Climber**  
Large Freestanding  
Sq ft: 395, Cost: \$2,400



**Honey Bee Climber**  
Large Freestanding  
Sq ft: 305, Cost: \$10,100



**Frog Spring Rider**  
Small Freestanding  
Sq ft: 235, Cost: \$600

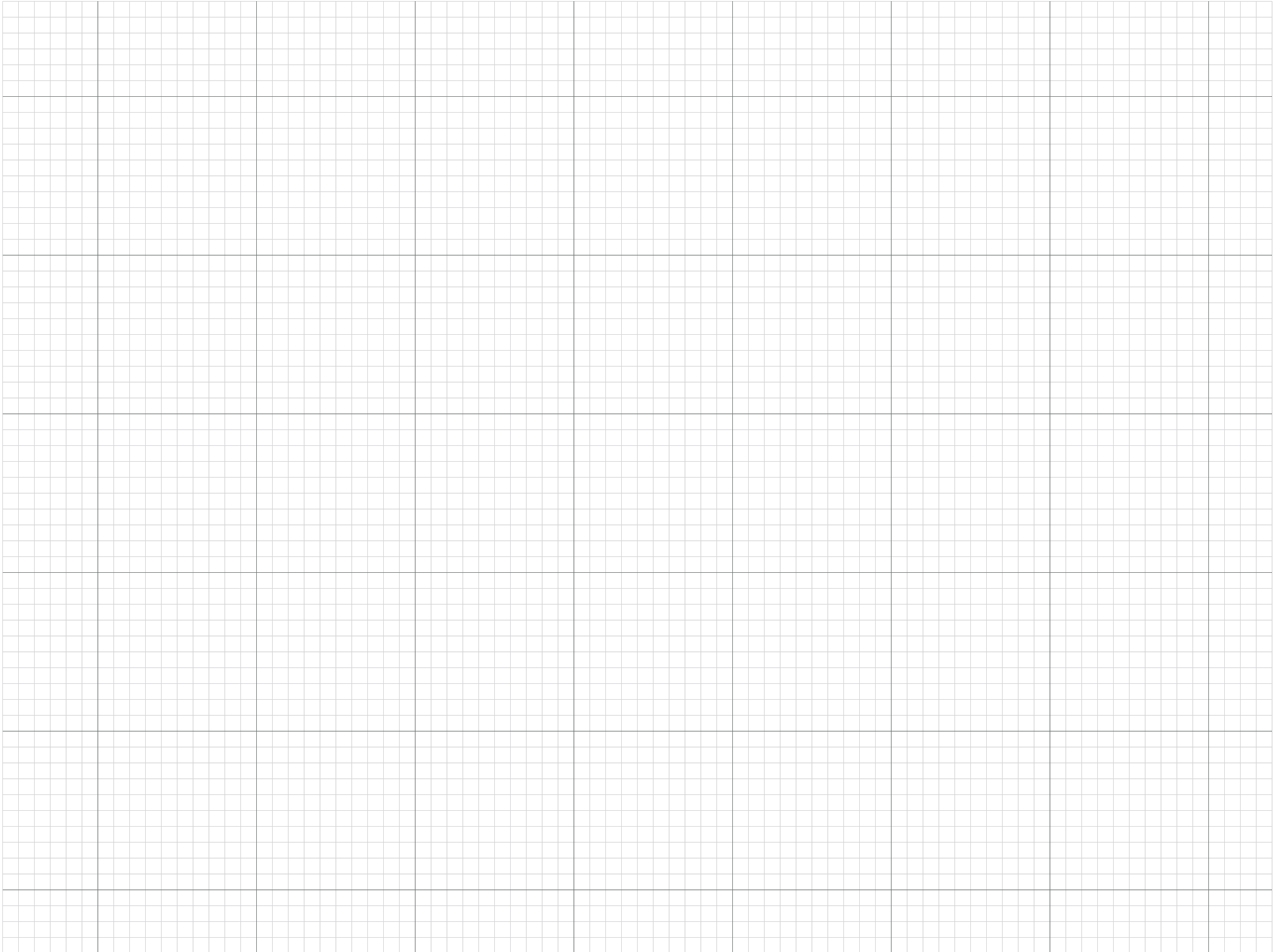


**Standing Seesaw**  
Small Freestanding  
Sq ft: 265, Cost: \$2,100

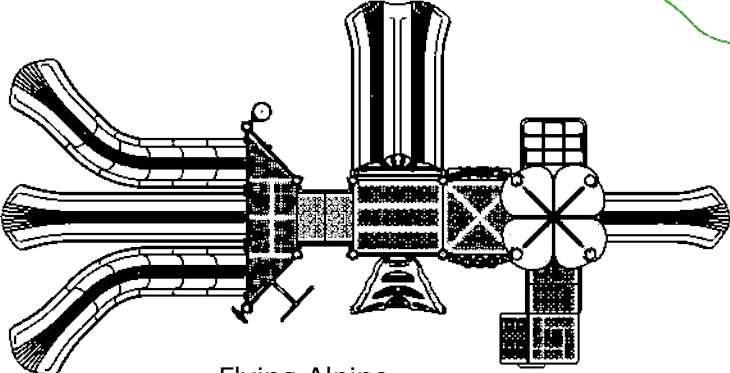


**Orbit Spinner**  
Small Freestanding  
Sq ft: 140, Cost: \$1,400

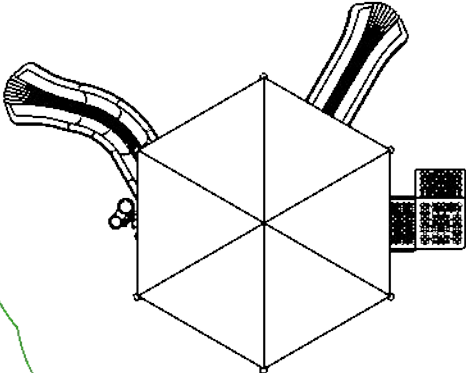
Graph Paper - Each small square is 1 ft x 1 ft



# Playground Structures

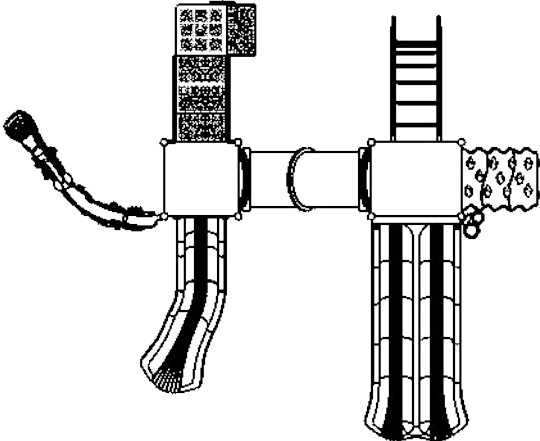


Flying Alpine

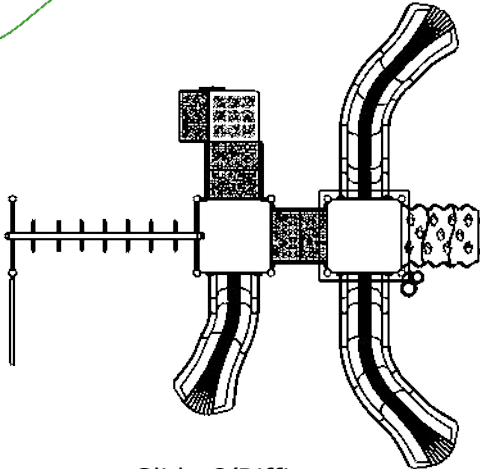


Whirlwind Tower

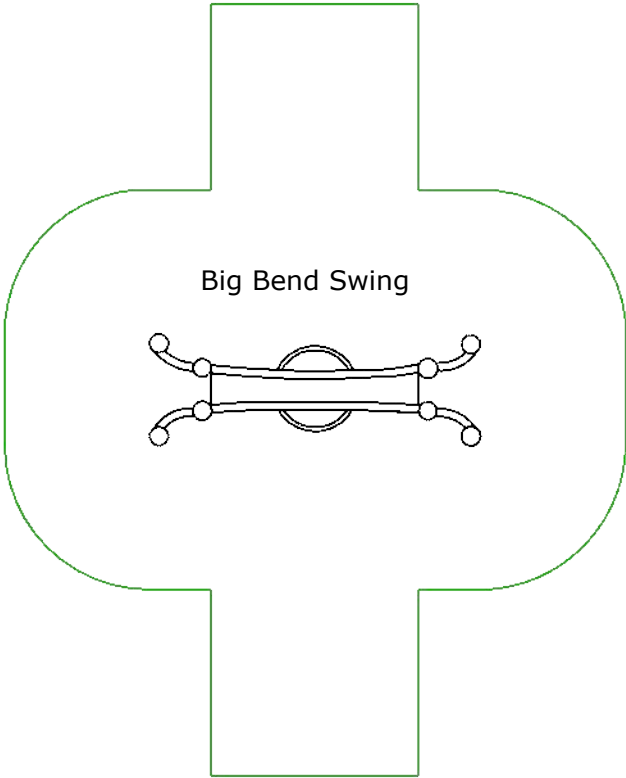
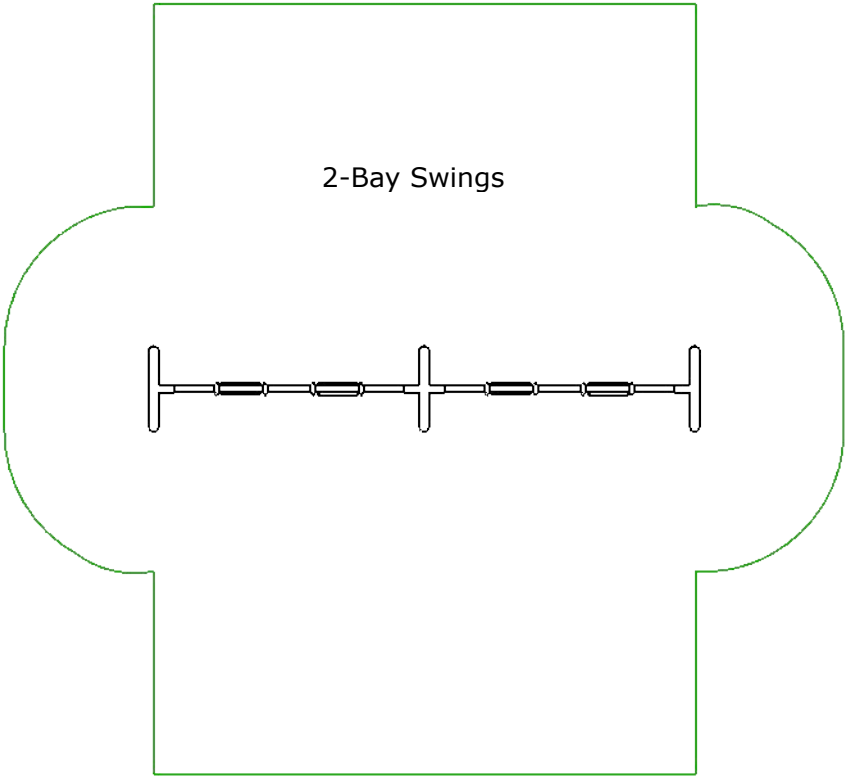
Durango Delight



Slide O'Riffic



# Swings



# Free Standing Equipment

Ocean Peak Climber



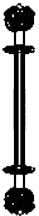
Frog Spring Rider



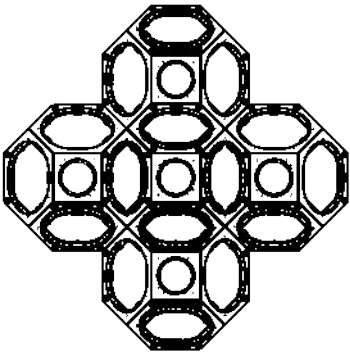
Orbit Spinner



Standing Seesaw



iKube Climber



Honey Bee Climber

